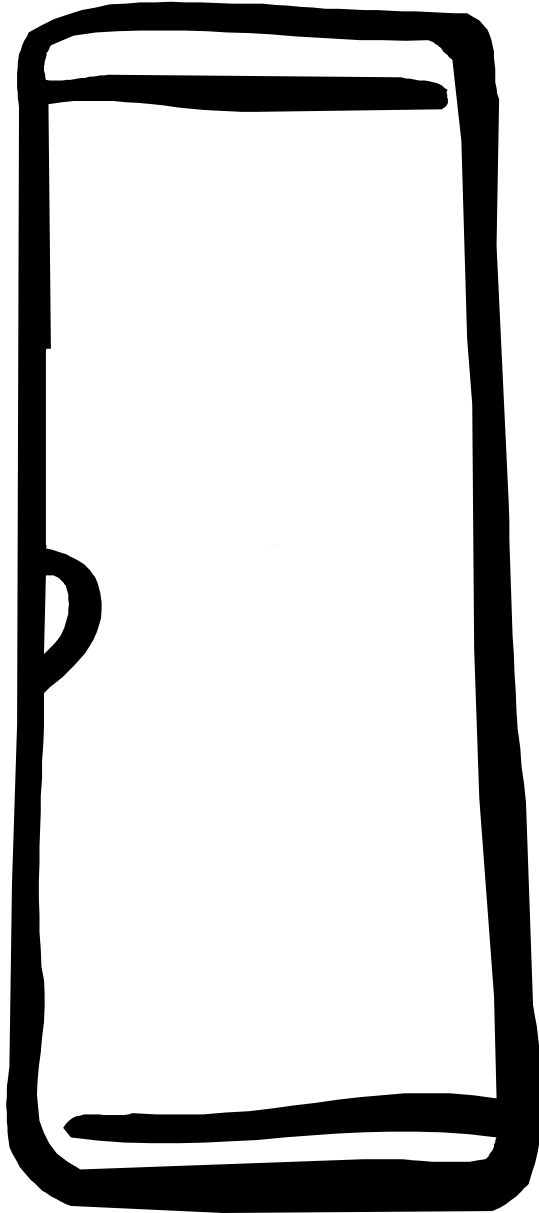


Refrigerator

INSTRUCTION BOOKLET



ERC3709

Important Safety Instructions

Your new fridge may have other functions compared to your previous one.

These warnings are provided in the interests of your safety. Ensure that you understand them all before installing or using the appliance. Your safety is of paramount importance. If you are unsure about any of the meanings or warnings contact the Customer Care Department.

Keep the instruction booklet. It will come in handy if you later sell the appliance or give it to somebody else.

Prior to Installation

- Check the appliance for transport damage. Under no circumstances should a damaged appliance be installed. In the event of damage please contact your retailer.

Installation

- This appliance is heavy. Care should be taken when moving it.
- It is dangerous to alter the specifications or attempt to modify this product in any way.
- Ensure that the appliance does not stand on the electrical supply cable. If the supply cable is damaged, it must be replaced by a cable available from your local Service Force Centre.
- Any electrical work required to install this appliance should be carried out by a qualified electrician or competent person.
- Parts which heat up should not be exposed. Whenever possible, the back of the appliance should be close to a wall, but leaving the required distance for ventilation, as stated in the installation instructions.
The appliance should be left for 2 hours after installation before it is turned on, in order to allow the refrigerant to settle.

Child Safety

- Do not allow children to tamper with the controls or play with the product.
- There is a risk of suffocation! Keep packaging material away from children.

During Use

- This appliance is designed for domestic use only, specifically for the storage of edible foodstuffs. It is not intended for commercial or industrial use.
- Containers with flammable gases or liquids can leak at low temperatures. Do not store any containers with flammable materials, such as spray cans, fire extinguisher refill cartridges etc. in the refrigerator or freezer.
Do not let sharp objects come into contact with

the refrigerating system on the back of and inside the cabinet. If the refrigerating system is punctured, the cabinet will be damaged and foodstuff inside may spoil.

If the refrigerant circuit should become damaged:

avoid open flames and sources of ignition
thoroughly ventilate the room in which the appliance is placed

The refrigerant isobutane (R600a) is contained within the refrigerant circuit of the appliance, a natural gas with a high level of environmental compatibility, which is nevertheless flammable.

- Do not place carbonated or fizzy drinks in the freezer compartment. Bottles and cans must not be placed in the freezer compartment as they can burst when the contents freeze.

Maintenance and Cleaning

- Before cleaning, always switch off the appliance and disconnect from the electrical supply
- When unplugging always pull the plug from the mains socket, do not pull on the cable.

Servicing

- This product should be serviced by an authorised engineer and only genuine spare parts should be used.
- Under no circumstances should you attempt to repair the appliance yourself. Repairs carried out by inexperienced persons may cause injury or serious malfunctioning. Contact your local Service Force Centre.

At the end of the Appliance Life

- When disposing of your appliance use an authorised disposal site.
- Remove the plug and ensure that any locks or catches are removed, to prevent young children being trapped inside.

Scrapping old cabinets

When discarding the cabinet, hand it over to a recycling station. For more information, contact your local Council or Environmental Health office.

Contents

Important Safety Instructions	2	Internal Cleaning	7
Scrapping old cabinets	2	External Cleaning	7
Contents	3	Defrosting the fridge	7
Description of the Appliance	4	To Change the Light Bulb	8
Control Panel	4	When the appliance is not in use	8
Before use	4	Something Not Working	8
Using the fridge	5	Service and Spare Parts	9
To start the fridge and thermostat control	5	Customer Care Department	9
Temperature inside the fridge	5	Guarantee Conditions	9
Measuring the temperature	5	Standard Guarantee Conditions	9
Switching off	5	Technical specification	10
Cabinet interior	6	Installation	10
Hints and Tips	6	Mains Cable	10
Energy Saving Advice	6	Unpacking	10
Food Storage	6	Removing the transport supports	10
Normal Operating Sounds	7	Cleaning	10
Maintenance and Cleaning	7	Installing the appliance	11
Removing the ventilation grille	7	Electrical connection	12
		Door Reversal	13

Guide to use the instruction book

The following Symbols will be found in the text to guide you through the instructions



Safety instructions

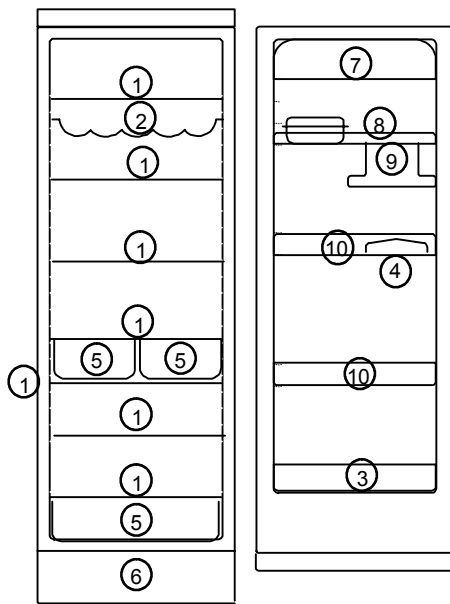
1, 2, 3 ...

Step by step instructions for an operation



Hints and tips

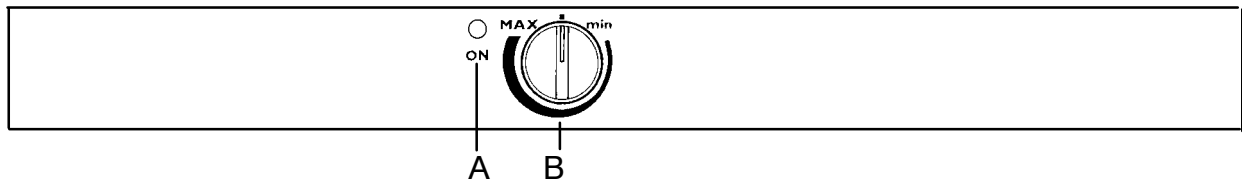
Description of the Appliance



Model ERC3709

1. glass shelf
2. bottle shelf
3. bottle shelf
4. egg holder
5. vegetable drawer
6. ventilation grille
7. butter compartment
8. door shelf +box
9. sliding shelf
10. door shelf

Control Panel



A. Green pilot light

Illuminates when the fridge is operating.

B. Thermostat control knob

Use to switch on and set the desired temperature in the fridge.

Before use

GB

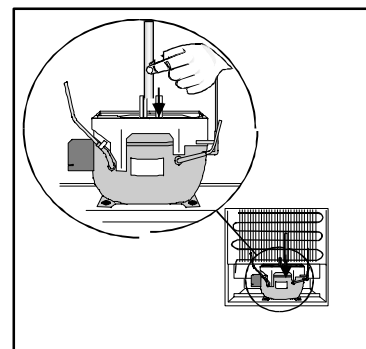
- Remove all securing tapes.
- Wash the inside of the appliance with lukewarm water with a little bicarbonate of soda added (5ml to 0,5 litre of water). Do not use soap or detergent as the smell may linger. Dry the appliance thoroughly.



Do not use detergents, abrasive powders, highly perfumed cleaning products, wax, polishes or products containing alcohol.

Check that the drain hose at the rear of the cabinet discharges into the drip tray.

·Before inserting the power plug into the socket and switching on the appliance for the first time, leave it standing upright for about 30 minutes, or for 2 hours if it was transported horizontally. Otherwise the compressor may sustain damage. This time will allow the oil sufficient time to return to the compressor.



Using the fridge

To start the fridge and thermostat control

Turn the thermostat control knob to the desired position.

MIN The lowest position of the thermostat control results in the highest temperature inside the cabinet.

MAX The highest position of the thermostat control results in the lowest temperature inside the cabinet.

■ : Switched off.

Allow the appliance to run for a period of 24 hours whenever the temperature setting is changed. This will allow the temperature to stabilise inside the appliance.

Temperature inside the fridge

A suitable temperature inside the fridge is approx. +5°C. If the thermostat control is set too cold, food with a high water content may start to freeze if it has been placed in the coldest places in the fridge.

(+ warm, - cold)

Meat, fish and milk should be put in the coldest part of the cabinet.

The temperature will be affected by:

- How often the door is opened
- How much food is stored
- Position of the appliance (See the Installation section.)

Measuring the temperature

If the temperature is measured using a standard, single thermometer, this should be put in a glass of water centrally placed inside the appliance. This will reflect the temperature inside the food products. Do not place the thermometer hanging or lying directly on the shelf.

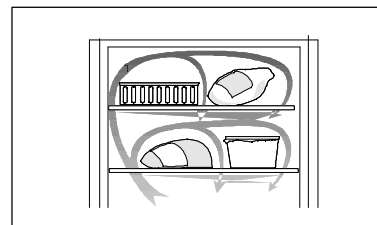
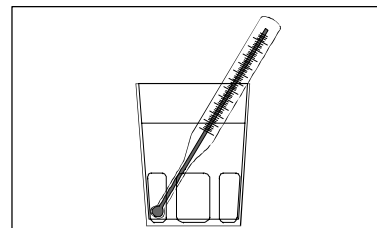
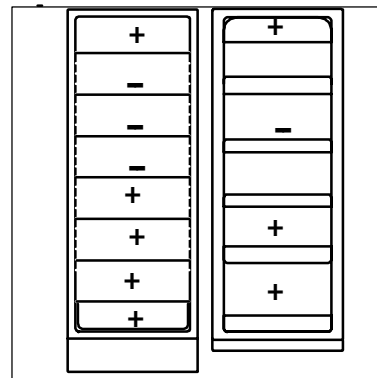
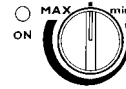


- Distribute foodstuffs to allow cold air to circulate freely between the products.
- Do not place food products directly against the cooling plate on the rear wall as they may freeze here.
- Also never put warm products into the appliance. Wait until they have cooled down.
- Cover all foods properly to avoid odours and flavours from tainting other food.

Switching off

Turn the control anti-clockwise past the click position to "■".

Remove the power supply plug from the wall socket.



Cabinet interior

The shelves and door compartments are removable and can easily be re-arranged. Certain shelves must be lifted up by the rear edge to enable them to be removed.

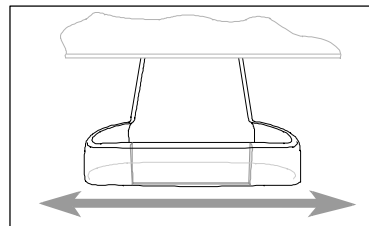
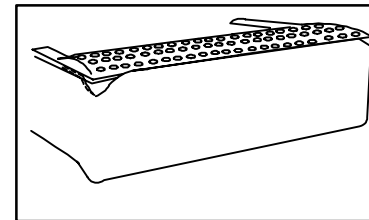
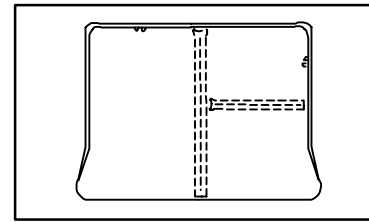
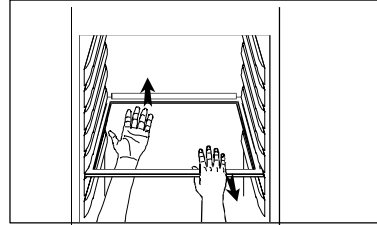
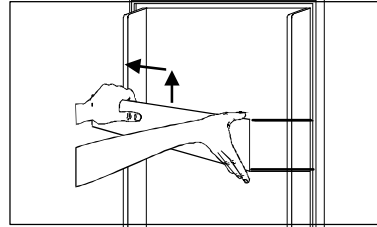
The lower door compartment and the glass shelf above the salad drawer must not be moved. They are required for proper air circulation inside the cabinet. Shelves with a raised edge should be placed with the raised edge facing the rear wall of the cabinet, and thus prevent food products from touching the cooling plate.

The vegetable box has two moveable partitions with five different choices in order to separate different vegetables.

The vegetable box has a ventilation edging to increase the circulation of air and reduce the risk of condensation.

Hanging half-shelf

The half-shelf can be moved sideways. It can be hung under all door shelves, except the lowest one.



Hints and Tips

Energy Saving Advice

- Do not install the cabinet close to sources of heat such as a cooker, dishwasher or radiator.
- Locate the appliance in a cool well ventilated room and make sure that the air openings of the cabinet are not obstructed.
- Always leave warm food to cool down to room temperature before placing in the fridge.
- Try to avoid keeping the door open for long periods, or opening the door too frequently as warm air will enter the cabinet, and cause the compressor to switch on unnecessarily often.
- Ensure there are no obstructions preventing the door from closing properly.
- It is advisable to periodically clean the refrigeration system at the back of the appliance with a duster or vacuum cleaner.
- Always leave warm food to cool down to room temperature before placing in the fridge.

- Make sure the door gasket is complete and always clean.

Food Storage

- To obtain the best results from your appliance, neither hot foods nor liquids which may evaporate, should be placed in the larder compartment.
- Keep the time between buying chilled food and placing it in your fridge as short as possible.
- Do not push food together too much, try to allow air to circulate around each item.
- Do not store food uncovered. Remove suspect food from your refrigerator and clean, refer to cleaning and maintenance.

Normal Operating Sounds

- You may hear faint gurgling or bubbling sounds when the refrigerant is pumped through the coils or tubing at the rear, to the cooling plate/evaporator.
- When the compressor is on, the refrigerant is

being pumped round, and you will hear a whirring sound or pulsating noise from the compressor.

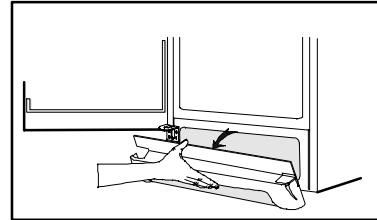
- A thermostat controls the compressor and you will hear a faint "click" when the thermostat cuts in and out.

Maintenance and Cleaning

Removing the ventilation grille

The ventilation grille can be removed, e.g. to wash the grille.

Make sure the door is open when removing the ventilation grille. Unsnap the upper edge of the grille by pulling outward/downward. Then pull the grille straight out to completely remove it.



Internal Cleaning

Clean the inside and the accessories with warm water and bicarbonate of soda (5 ml to 0,5 litre of water).

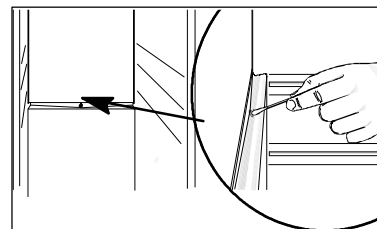
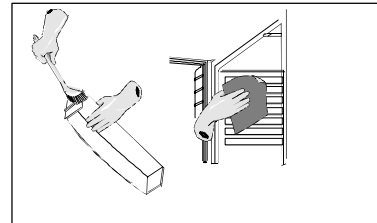
Rinse and dry thoroughly.



Do not use detergents, abrasive powders, high perfumed cleaning products, wax polishes or cleaning products containing bleach or alcohol .

Regularly check the door seals and wipe clean to ensure they are clean and free from debris.

Clean out the drip channel inside the fridge at regular intervals and ensure that the drip channel is clear at all times. If blocked carefully clear using a piece of flexible curtain wire inserted into the drain outlet to remove the blockage.



External Cleaning

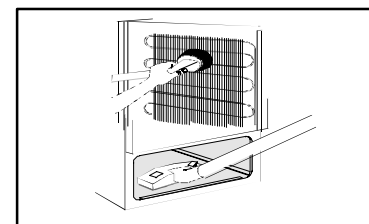
Disconnect the appliance from electricity supply.

Wash the outer cabinet with warm soapy water.

Remove the ventilation grille (see the section "Removing the ventilation grille") and vacuum-clean under the cabinet. Once or twice a year dust the condenser (black grille) and the compressor at the back of the appliance, with a brush or vacuum cleaner, as an accumulation of dust will affect the performance of the appliance and cause excessive electricity consumption.



When moving the cabinet, lift it by the front edge to avoid scratching the floor.



Defrosting the fridge

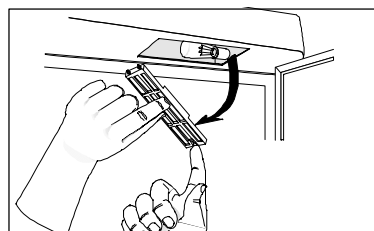
The fridge is defrosted automatically every time the compressor stops. Frost formation can be prevented by:

- not putting warm foodstuff inside the cabinet.
- avoiding frequently opening the door or keeping it open too long.
- not placing foodstuffs directly against the cold cooling plate.

To change the light bulb

The light is switched on automatically when the door is opened. Before replacing the light bulb, disconnect the power plug from the outlet. Press the spring together and pull the grille downward at the same time.

Use a bulb of the same type, E14 socket, maximum rating of 25 W.



When the appliance is not in use

Disconnect the appliance from electricity supply.
Empty all foods and clean the appliance, leaving the doors ajar to prevent unpleasant smells.

If the appliance is left on, e.g. while on holiday, ask somebody to check it once in a while to prevent the food inside from spoiling in case of a power failure.

Something Not Working

Before contacting your local Service Force Centre check the following points:

Symptom	Solution
The temperature is too high inside the refrigerator.	Set a lower temperature. Put food products in the right place inside the refrigerator. See the chapter "Temperature inside the refrigerator". Distribute the food products to allow cold air to circulate around them. Make sure that the door is completely closed and that the rubber door seal is complete and clean. The temperature where the cabinet is placed is not within its operating limits. See installation section.
It is too cold inside the refrigerator.	Set a warmer temperature. See the section "To start the fridge and thermostat control".
There is water on the cooling plate inside the refrigerator.	This is normal. During automatic defrosting, frost thaws on the cooling plate.
Water is running inside the refrigerator.	Clean the water drain and drain hole inside the refrigerator using a piece of flexible curtain wire. Food products could have been placed near the rear of the appliance, preventing the water from running into the drain.
Water comes out on the floor.	Place the drain hose at the back of the appliance above the drain bowl. See the chapter "Before use"
The compressor operates continuously.	Set a warmer temperature. Make sure that the door is completely closed and that the rubber door seal is complete and clean. The temperature where the cabinet is placed is not within its operating limits. See installation section.
The cabinet does not operate at all. Cooling or interior light does not operate. No indicator lamps light.	The appliance is not switched on. Power does not reach the appliance. (Try connecting another electrical device to the power outlet.) The fuse has blown. The power plug is not properly connected.

Noise	<p>The refrigerating system will always produce some sounds. A pulsing sound is heard when coolant is pumped inside the cooling pipes. A ticking sound from the thermostat can be heard when the compressor switches on and off. The sound level varies depending on the operation of the cabinet.</p> <p>If you feel the sound level is incorrect:</p> <p>If the cushion spacers (between the cabinet wall and pipes) come loose, put them back in place again.</p> <p>Carefully follow the instructions in the chapter "Installing the cabinet".</p>
--------------	--------------------------------------------------------------------------------------------------------------------------------------------------------------------------------------------------------------------------------------------------------------------------------------------------------------------------------------------------------------------------------------------------------------------------------------------------------------------------------------------------------------------------------------------------------

Service and Spare Parts



In the event of your appliance requiring service, or if you wish to purchase spare parts please contact your local Service Force Centre by telephoning:

08705 929929

Your telephone call will be automatically routed to the Service Force Centre covering your post code area.

For the address of your local Service Force Centre and further information about Service Force, please visit the website at www.serviceforce.co.uk

Before calling out an engineer, please ensure you have read the details under the heading "Something Not Working".

When you contact the Service Force Centre you will need to give the following details:

1. Your name, address and post code
2. Your telephone number
3. Clear and concise details of the fault
4. The model and serial number of the appliance (found on the rating plate)
5. The purchase date.....

Please note that a valid purchase receipt or guarantee documentation is required for in-guarantee service calls.

Customer Care Department

For general enquiries concerning your Electrolux appliance or further information on Electrolux products, you are invited to contact our Customer Care Department by letter or phone as follows or visit our website at www.electrolux.co.uk

Customer Care Department
 Electrolux
 55-77 High Street
 Slough
 Berkshire
 SL1 1DZ

Tel: 08705 950950*

* calls to this number may be recorded for training purposes.

Guarantee Conditions

Standard Guarantee Conditions

See Guarantee Conditions on the Registration Card.

Technical Specification

Model	ERC3709
Gross volume	370 l
Width	595 mm
Height	1800 mm
Depth	600 mm
Energy consumption	179 kWh/year
Energy class	A
Rated power	110 W

Installation

Mains Cable

In the event of damage to the appliance's main cable, to avoid risks only an authorised service company recommended by the supplier or a qualified person may adjust it.

Unpacking

Unpack the appliance and check that it is in good condition and free of any transport damage. Notify the dealer immediately of any damage. Hand the packaging over for recycling.



Do not allow children to play with the packaging. The plastic film can cause suffocation.

Removing the transport supports

Remove the tape and the transport supports from

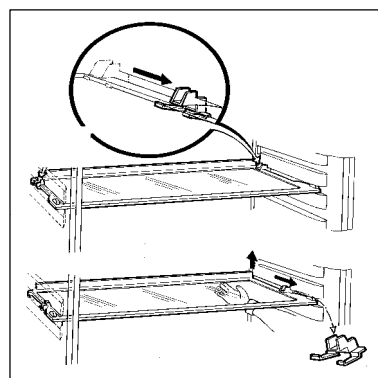
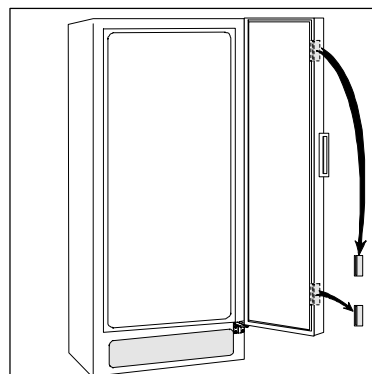
- the door sides
- the shelves

Remove the transport support on the glass shelf by pushing the support forward along the edge of the shelf until it stops. Take hold of the rear edge of the glass shelf and pull the shelf and transport support forward until the shelf tilts and the transport support can be removed. Some models are fitted with a silencing pad under the cabinet. Do not remove this pad.

Cleaning

Wash the inside of the appliance using lukewarm water and bicarbonate of soda (5 ml to 0,5 litre of water).

Do not use soap or detergent as the smell may linger. Dry thoroughly.



Installing the appliance

When two appliances are placed beside each other, the spacers enclosed in the plastic wrapping should be glued between the appliances. As shown in the illustration.

To obtain the best performance from the appliance, ensure :

- the appliance is placed in a dry, cool place and is not exposed to direct sunlight.
- the appliance is not placed close to a source of heat, e.g. a cooker or dishwasher.
- the appliance is level. The appliance should not lean against any wall. If necessary adjust the feet using the adjustment spanner supplied.
- there is good air circulation around the appliance and that the air channels below and behind the appliance are not blocked. The ventilation space above the appliance must be at least 4 cm.

The ventilation space can either be

- a) directly above the appliance, or
- b) behind and above the top cupboard. In this case, the space behind the cupboard must be at least 50 mm deep.

The appliance must be placed at a location whose ambient temperature corresponds to the climate classification*, for which the appliance is designed.

* See on the rating plate on the inside of the appliance.

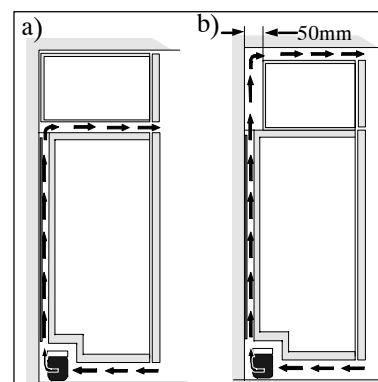
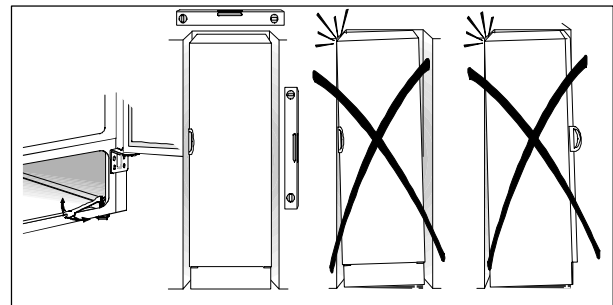
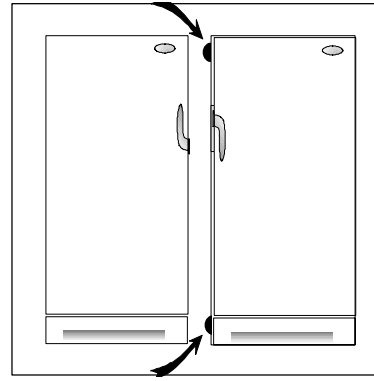
The following table shows which ambient temperature is correct for each climate classification.

Climate classification	for an ambient temperature of
SN	+10°C to +32°C
N	+16°C to +32°C
ST	+18°C to +38°C
T	+18°C to +43°C

·Check that the drain hose at the rear of the cabinet discharges into the drip tray.

If the appliance is placed in a corner and the side with the hinges facing the wall, the distance between the wall and the appliance must be at least 230 mm to allow the door to open enough so that the shelves can be removed.

The power plug must be accessible after installation of the appliance.



Electrical connection



Any electrical work required to install this appliance should be carried out by a qualified electrician or competent person. This appliance must be earthed.

The manufacturer declines any liability should these safety measures not be observed.


Electrical Requirements

Before switching on, make sure the electricity supply voltage is the same as that indicated on the appliance rating plate.

The appliance is supplied with a 13amp plug fitted. In the event of having to change the fuse in the plug supplied, a 13amp ASTA approved (BS1362) fuse must be used.

Should the plug need to be replaced for any reason. The wires in the mains lead are coloured in accordance with the following code:

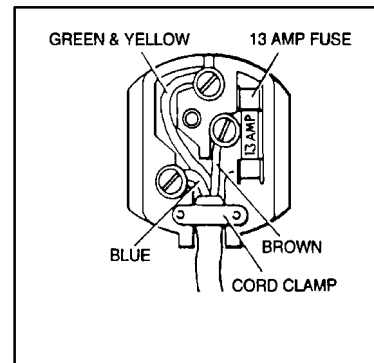
Green and yellow	-Earth
Blue	-Neutral
Brown	-Live

The wire coloured green and yellow must be connected to the terminal marked with the letter "E" or by the earth symbol  or coloured green and yellow.

The wire coloured blue must be connected to the terminal marked "N" or coloured black

The wire coloured brown must be connected to the terminal marked "L" or coloured red.

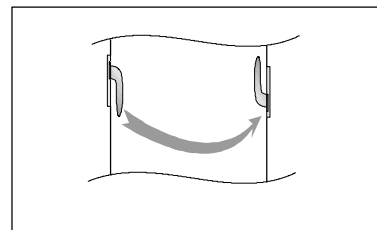
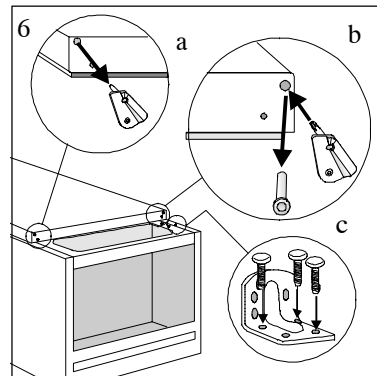
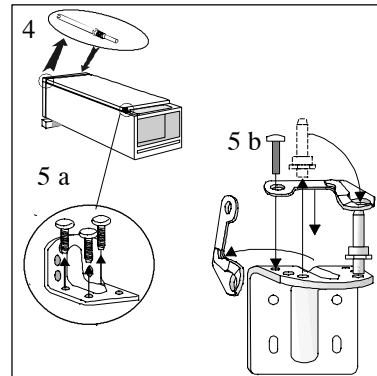
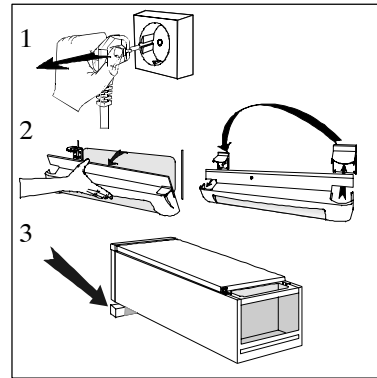
Upon completion there must be no cut, or stray strands of wire present and the cord clamp must be secure over the outer sheath.



Door Reversal

1. Close the appliance and disconnect the appliance from the electricity socket.
2. Remove the ventilation grille. There is a part on the grille that can be removed. Remove and reposition it on the opposite side.
3. Support the appliance on a wooden block when it is laid down. This will make it easier to grip under the appliance when returning to an upright position.
4. On the upper part of the appliance. Remove the hinge pin and replace on the other side.
5. On the lower part of the appliance.
 - a. Unscrew the hinge.
 - b. Remove the door-closing fittings from the hinge and put the hinge pin on the other side. Then attach the supplied door-closing fitting.
6.
 - a. Remove the door-closing fitting from the bottom of the door.
 - b. Remove the plastic plug from the corresponding hole on the other side. Use a screwdriver to lever the plug loose. Then secure the supplied door-closing fitting.
 - c. Secure the lower hinge.
7. Raise the appliance and replace the ventilation grille.
8. To transfer the handle.

Unscrew the screws. Push the blanking plugs into the holes on the opposite side of the door. Fit the handle onto the opposite side by turning it one half circle. Press the supplied plastic plugs into the holes to which the handle was previously fitted.
9. Put the appliance in position. Check that the appliance is level. See the section "Positioning the appliance".



 **The Electrolux Group. The world's No.1 choice.**

The Electrolux Group is the world's largest producer of powered appliances for kitchen, cleaning and outdoor use. More than 55 million Electrolux Group products (such as refrigerators, cookers, washing machines, vacuum cleaners, chain saws and lawn mowers) are sold each year to a value of approx. USD 14 billion in more than 150 countries around the world.

