



Refrigeration

SMART 1 Door Roll-in Refrigerator (60 FT³)

ITEM # _____
 MODEL # _____
 PROJECT NAME # _____
 SIS # _____
 AIA # _____



Refrigeration

SMART 1 Door Roll-in Refrigerator (60 FT³)

| | |
|---------------------|---|
| 726378 (RI17RE1FU) | 61 ft ³ Full Size Refrigerator 1 door 115 V/1p/60Hz |
| 727026 (RI17RE1FRU) | 61 ft ³ Full Size Refrigerator remote version |

Short Form Specification

Item No. _____

The Electrolux range of refrigerated cabinets are built with external and internal in AISI 304 stainless steel. Insulation thickness of 2.36" (60 mm). Right hinged full door with lock. Bottom door gasket adjustable. Built-in refrigeration unit; ventilated operating mode; digital control; evaporator; automatic defrost; external digital temperature display; high/low humidity switch. Operating temperature 28 to 50 °F (-2 to 10 °C). For ambient temperatures up to 110 °F (43 °C). CFC and HCFC free. R134a gas in refrigeration circuit. Gas in foam: cyclopentane.

Covered by Electrolux Platinum Star® Service Program two-year parts and one-year labor warranty, installation start-up and performance check-up after one year from installation.



Approval: _____

Main features

EASY TO INSTALL

- Excellent space optimization, thanks to the compact dimensions (footprint = 0.56 m²).
- Plug-in installation: 1 phase, 120 V supply.
- Available with built-in refrigeration unit and with full stainless steel door.

EASY TO CLEAN

- The whole interior cell is constructed of AISI 304 stainless steel with round corners for a better internal cleanability. There are no obstructions or dirt traps.
- Evaporator and fan are outside the cell.
- External panels are in AISI 304 stainless steel for better cleanability.

EASY TO USE

- Designed to operate at ambient temperatures of up to 110 °F (43 °C).
- Automatic defrost.
- Simple control panel: on/off switch, high/low humidity switch, digital temperature display.
- Ventilated cooling for the best temperature distribution.
- Suitable for all kinds of 18 shelves GN 1/1 trolleys.
- Designed to fit with the 18 shelves GN 2/1 trolley available as optional accessory (922044 or 922046).

EASY TO MAINTAIN

- Bottom door gasket adjustable.
- All models finished in top quality materials to guarantee durability.
- Lift-up control panel to better access the main components.

EASY ON THE ENVIRONMENT

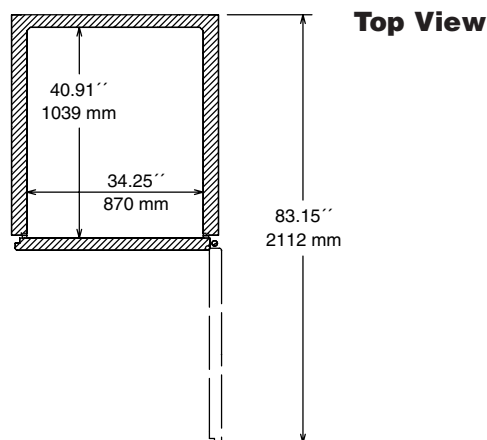
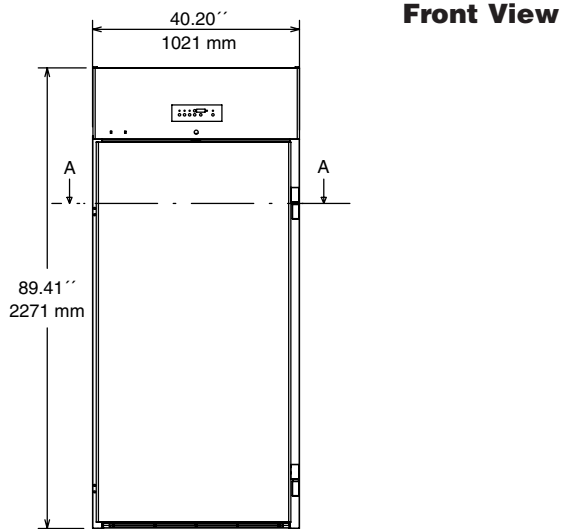
- 100% CFC and HCFC free. Refrigeration circuit: R134a gas. Gas in foam: cyclopentane.
- Developed and produced in ISO 9001 and ISO 14001 certified factory.

Optional Accessories

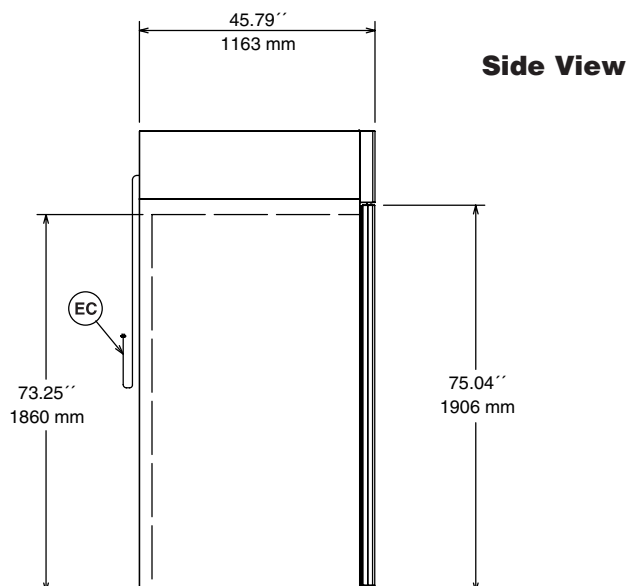
- Basic HACCP Printer (PNC 880048)
- 20 rack trolley for 202 with 2.5" pitch (PNC 922044)
- 20 rack trolley for 202 with 3.15" pitch (PNC 922046)



Refrigeration
 SMART 1 Door Roll-in Refrigerator (60 FT³)



EC = Electrical connection



Electric

Supply voltage:

726378 (R117RE1FU) 115 V/1p/60Hz - 7A

727026 (R117RE1FRU) 115 V/1p/60Hz - 7A (Remote Version)

Key Information

LEGEND

I – Electrical Connection 115 V/1p/60Hz

TECHNICAL DATA

Operating temperature min.: 28 °F (-2.22 °C)

Operating temperature max.: 50 °F (10 °C)

Built-in Compressor and Refrigeration Unit

External Dimensions:

Width: 40-3/16'' (1021 mm)

Depth: 45-13/16'' (1163 mm)

Height: 89-7/16'' (2271 mm)

Internal dimensions:

Width: 34-1/4'' (870 mm)

Height: 73-1/4'' (1860 mm)

Depth: 40-15/16'' (1039 mm)

Min/Max internal humidity % : 50/ 80

Number and type of doors: 1 Full

Door hinges: Right

Number and type of grids (included): 4, GN 1/1

Compressor power: 3/4 HP

Refrigerant type: R134a

Refrigerant quantity: 260g

Refrigerant Power: 523W

Power: 460 watts

Net weight: 317 lbs (144 kg)