

# Electrolux

## Refrigeration SMART 1 Door Refrigerator (23 FT<sup>3</sup>)

ITEM # \_\_\_\_\_  
 MODEL # \_\_\_\_\_  
 PROJECT NAME # \_\_\_\_\_  
 SIS # \_\_\_\_\_  
 AIA # \_\_\_\_\_



### Refrigeration SMART 1 Door Refrigerator (23 FT<sup>3</sup>)

726677 (RH06RE2HU) 23 ft<sup>3</sup> Full Size Refrigerator  
 1 split door 115 V/1p/60Hz  
 727018 (RH06RE2HRU) 23 ft<sup>3</sup> Full Size Refrigerator  
 1 split door 115 V/1p/60Hz  
 remote version

### Short Form Specification

Item No. \_\_\_\_\_

The Electrolux range of refrigerated cabinets are built with external and internal AISI 304 stainless steel. High-density expanded polyurethane insulating foam, 3" (75 mm) in thickness. Full door with lock and microswitch to switch off the fan when the door is opened. Built-in refrigeration unit; ventilated operating mode; SMART Electronic Control equipped with: history (HACCP) for critical high temperature, alarm service, full diagnostic, remote control via modem; electronic defrost only when required; defrost outlet pipe; external digital temperature display. Humidity level adjustment. Internal lighting. Cavity drain. For ambient temperatures up to 110 °F (43 °C). CFC and HCFC free. R134a gas in refrigeration circuit. Gas in foam: Cyclopentane. EnergyStar certification for energy savings. Supplied with n. 4 x 2/1GN Rilsan® coated grids and n. 4 sets of 2 Stainless steel grid runners.

Covered by Electrolux Platinum Star® Service Program two-year parts and one-year labor warranty, installation start-up and performance check-up after one year from installation.



Approval: \_\_\_\_\_

### Main features

#### EASY TO INSTALL

- Mounted on adjustable stainless steel feet, with castors as an option.
- Choice of doors to suit varying kitchen requirements.
- Refrigerator models have operating temperatures that can be adjusted from 28 °F to 50 °F (-2.22 to 10 °C) to suit both meat and dairy storage requirements.
- Performance guaranteed at ambient temperatures of 110 °F (43 °C).

#### EASY TO CLEAN

- Forced air circulation for rapid cool down and even temperature uniformity.
- Constructed from the highest quality AISI 304 stainless steel.
- Interior base with corners, pressed from a single sheet.
- Sides and back of the 1-door models are formed from a single sheet of Stainless steel to avoid dirt traps.
- Evaporator unit is placed outside the cell to provide the maximum storage capacity.
- Refrigerators are fitted with outlet pipe.

#### EASY TO USE

- Accommodates GN 2/1 containers or shelves on anti-tilt runners.
- External digital temperature display.
- Interior light and lockable door.
- SMART electronic control gives the following benefits:
- HACCP: when temperature exceeds critical limits, an acoustic and visual alarm are activated. All events are recorded displaying date and time of all events.
- SMART defrost: the defrost cycle is activated only when necessary thanks to the four-probe control and a patented algorithm for ice detection.
- Intelligence when failure: when a probe breaks it remembers its performance of last 24 hours and continue to work. In this way food is safe and service can be called.
- Diagnostic: four probes constantly control working condition of the appliances.
- Food categories: depending by food stored it can be selected appropriate temperature and humidity just pushing a button.

#### EASY TO MAINTAIN

- Heavy-duty construction that avoids use of any plastic parts.
- The cooling unit (compressor, condenser and evaporator) can be removed with a single operation from either the top or back.
- Evaporator cover is easily removable for service.
- Fault indication from the smart control.

#### EASY ON THE ENVIRONMENT

- SMART electronics defrost only when required to save energy.
- Cabinet fitted with up to 3" (75 mm) thickness of cyclopentane insulation for best insulating performance. CFC and HCFC-free insulation.
- Refrigerant type: R134a or R404a.

#### Accessories

- Pair of stainless steel runners for 23 and 50 ft<sup>3</sup> SMART refrigerators 4
- Rilsan® coated full-size sheet grid 4

#### Optional Accessories

- Basic HACCP Printer (PNC 880048)
- 4 wheels (2 with brake) (PNC 880121)
- Pair of stainless steel runners for 23 and 50 ft<sup>3</sup> SMART refrigerators (PNC 880175)
- Rilsan® coated full-size sheet grid (PNC 880176)
- Pedal opening for 23 ft<sup>3</sup> SMART refrigerators (PNC 881458)

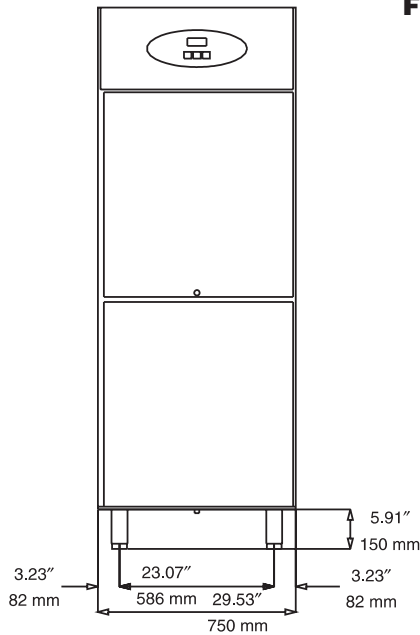
Electrolux

Refrigeration  
SMART 1 Door Refrigerator (23 FT<sup>3</sup>)

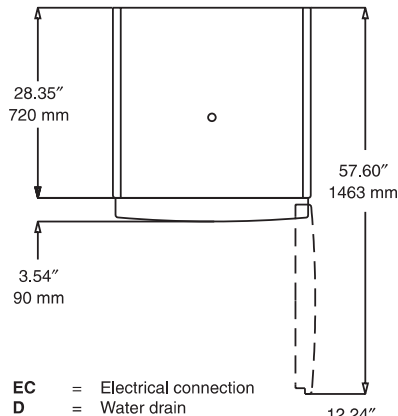
Electrolux Professional, Inc.  
[www.electroluxusa.com/professional](http://www.electroluxusa.com/professional)

3225 SW 42nd Street, Fort Lauderdale, Florida, 33312 • Telephone Number: 866-449-4200 • Fax Number: 954-327-6789

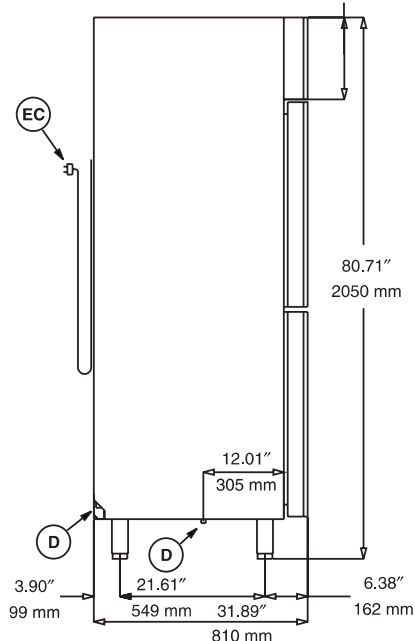
**Front View**



**Top View**



**Side View**



### Electric

**Supply voltage:**

726677 (RH06RE2HU)	115 V/1p/60Hz - 6A
727018 (RH06RE2HRU)	115 V/1p/60Hz - 6A

### Key Information

**LEGEND**

C - Water Drain	1/2" (12.7 mm)
I - Electrical Connection	115 V/1p/60Hz

**TECHNICAL DATA**

**Operating temperature min.:** 28 °F (-2.22 °C)

**Operating temperature max.:** 50 °F (10 °C)

**Built-in Compressor and Refrigeration Unit**

**External Dimensions:**

<b>Width:</b>	29-1/2" (750 mm)
<b>Depth:</b>	31-7/8" (810 mm)
<b>Depth (with doors open)</b>	57-1/2" (1463 mm)
<b>Height:</b>	80-11/16" (2050 mm)

**Min/Max internal humidity %:** 75/ 90

**Number and type of doors:** 2 Half

**Door hinges:** Right

**Number and type of grids (included):** 4, GN 2/1

**Compressor power:** 1/4 HP

**Refrigerant type:** R134a

**Refrigerant quantity:** 240g

**Refrigerant Power:** 378W

**Power:** 440 watts

**Net weight:** 304 lbs (138 kg)