

250 compact refrigerated table

The Electrolux range of refrigerated counters combines a worktop in hygienic stainless steel with the convenience of built-in cold storage compartments beneath. All models in the range are manufactured throughout in stainless steel to meet the highest hygiene standards.



728629

EASY TO INSTALL

- Built-in refrigeration unit.
- Height-adjustable feet.

EASY TO CLEAN

- Constructed from AISI 304 stainless steel throughout to meet the highest hygiene standards.
- Rounded internal corners for ease of cleaning.

EASY TO USE

- Lower refrigerated compartment designed to accommodate GN 1/1 containers.
- Digital control panel.

- Suitable to operate in ambient temperatures up to +32°C. Temperature range: +2+10 °C.
- Forced air circulation for rapid cooling and an even temperature distribution.
- Automatic evaporation of defrost water. Prearrangement for drain outlet.

EASY TO MAINTAIN

- Access to all components from the front.
- In compliance with H requirements.

EASY ON THE ENVIRONMENT

- C.F.C. and H.C.F.C. free
- Environmentally friendly: R134a.
- High-density expanded polyurethane foam, 50 mm in thickness, with cyclopentane injection..
- Developed and produced in ISO 9001 and ISO 14001 certified factory.



Electrolux

Electrolux Saladette
250 compact refrigerated table

	SAL25T12 728629	SAL25N12 728630	SAL25T20 728631	SAL25N20 728632	SAL25N04 728633	SAL25T04 728634
TECHNICAL DATA						
Operating temperature - min/max °C	2/10	2/10	2/10	2/10	2/10	2/10
Operating mode	Ventilated	Ventilated	Ventilated	Ventilated	Ventilated	Ventilated
Gross capacity (D.I.N. 8952) - l.	250	250	250	250	250	250
Cooling unit	Built-In	Built-In	Built-In	Built-In	Built-In	Built-In
External dimensions - mm						
width	955	950	955	950	950	955
depth/with open doors	700, 1120	700, 1120	700, 1120	700, 1120	700, 1120	700, 1120
height	860	810	860	810	810	860
Internal dimensions - mm						
width	870	870	870	870	870	870
depth	550	550	550	550	550	550
height	520	520	520	520	520	520
Worktop type	Stainless Steel	none	Stainless Steel	none	none	Stainless Steel
Min/Max internal humidity - %	50/70	50/70	50/70	50/70	50/70	50/70
N° of drawers	2x1/2	2x1/2	None	None	4x1/2	4x1/2
N° and type of door	1	1	2	2		
Door hinges	Left	Left	1 Left+1 Right	1 Left+1 Right		
Compressor power - HP	1/4;	1/4;	1/4	1/4;	1/4;	1/4;
N° defrost in 24 hrs.	4/25'	4/25'	4/25'	4/25'	4/25'	4/25'
Refrigerant type	R134a	R134a	R134a	R134a	R134a	R134a
Refrigerant quantity - g.	120	120	120	120	120	120
Refrigeration power - W	224	224	224	224	224	224
Power - kW						
installed-electric	0.288	0.288	0.27	0.288	0.288	0.288
Net weight - kg.	100	85	82	82	85	100
Power supply - V, phases, Hz	230 V, 1N, 50	230 V, 1N, 50	230 V, 1N, 50	230 V, 1N, 50	230 V, 1N, 50	230 V, 1N, 50
ACCESSORIES						
1/1 GN GREY "RILSAN" GRID	881435	881435	881435	881435		
HACCP ADV.CONN.10 UNITS-DIG.REF.(ID9XX)	880119	880119	880119	880119	880119	880119
HACCP ADV.CONN.80 UNITS-DIG.REF.(ID9XX)	880132	880132	880132	880132	880132	880132
HACCP ADV.CONN.PER UNIT-DIG.REF.(ID9XX)	880133	880133	880133	880133	880133	880133
KIT 4 WHEELS FOR 250L COUNTER/SALADETTE	880267	880267	880267	880267	880267	880267
KIT HACCP EKIS	922166	922166	922166	922166	922166	922166
PLASTIC CONTAINER GN 1/1 H=100 MM	811451	811451	811451	811451		
PLASTIC CONTAINER GN 1/1 H=150 MM	881040	881040	881040	881040		
PLASTIC CONTAINER GN 1/1 H=65 MM	881038	881038	881038	881038	881038	881038

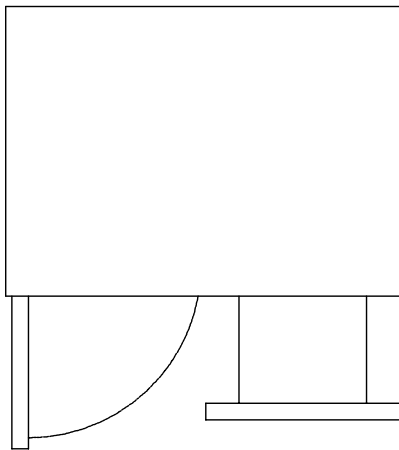
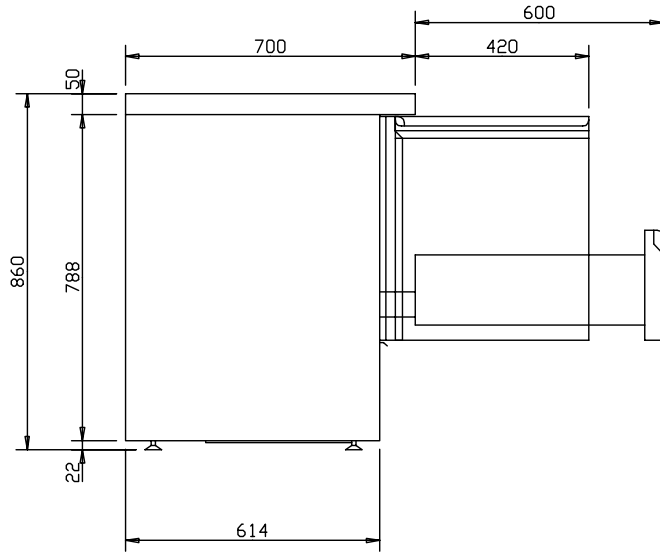
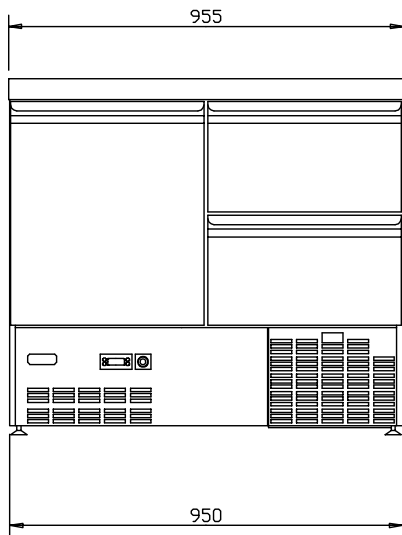
HBAF010

2009-10-06

Subject to change without notice

**Electrolux Saladette
250 compact refrigerated table**

728629



728629

HBAF010

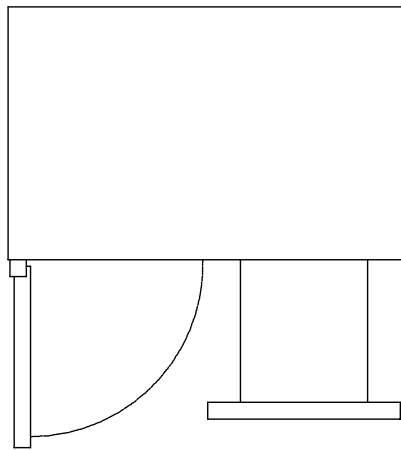
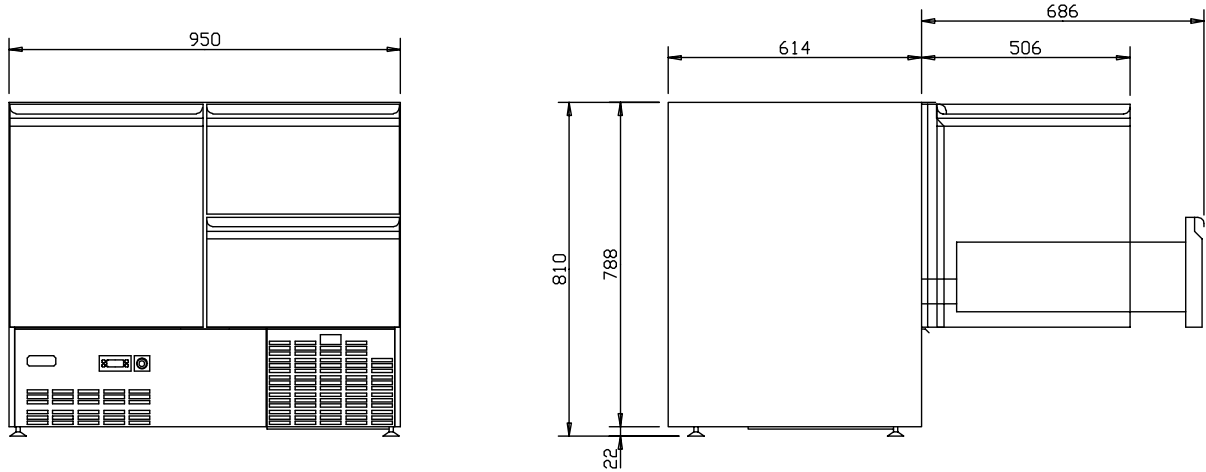
2009-10-06

Subject to change without notice

LEGEND EI - Electrical connection	SAL25T12 728629
	230 V, 1N, 50

**Electrolux Saladette
250 compact refrigerated table**

728630



728630

LEGEND EI - Electrical connection	SAL25N12 728630
	230 V, 1N, 50

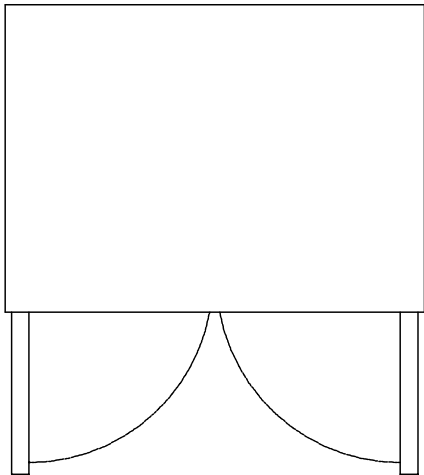
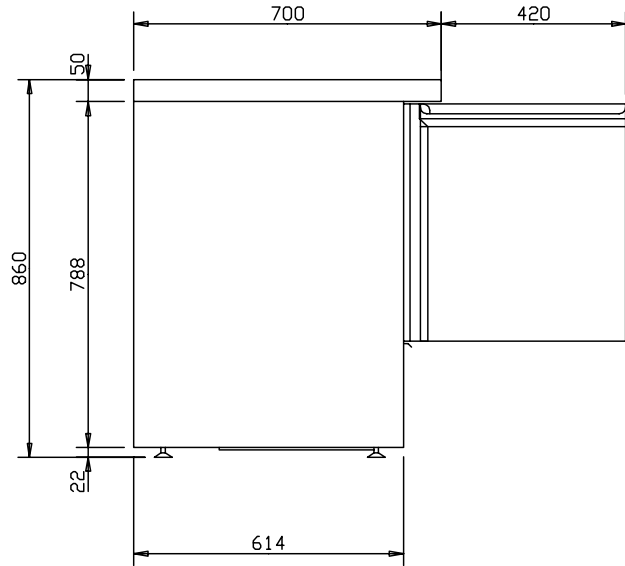
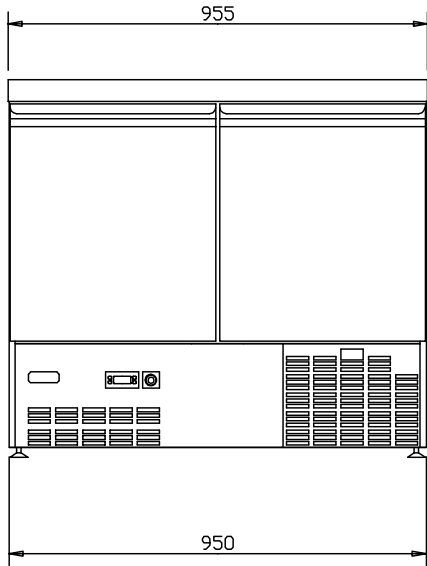
HBAF010

2009-10-06

Subject to change without notice

Electrolux Saladette
250 compact refrigerated table

728631



728631

LEGEND EI - Electrical connection	SAL25T20 728631
	230 V, 1N, 50

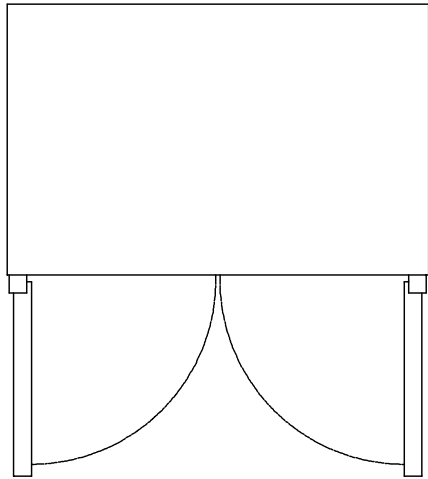
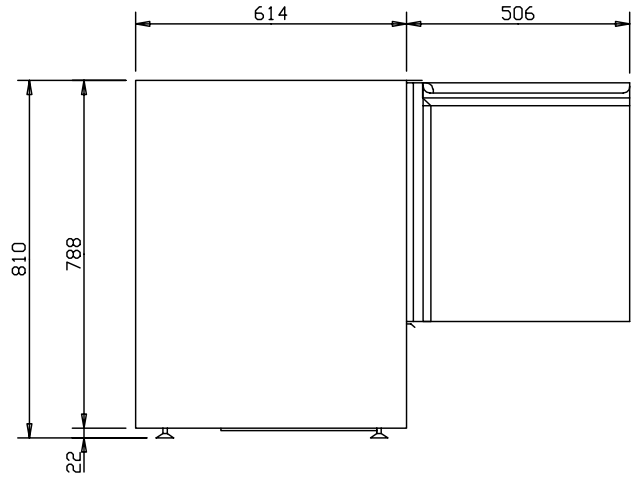
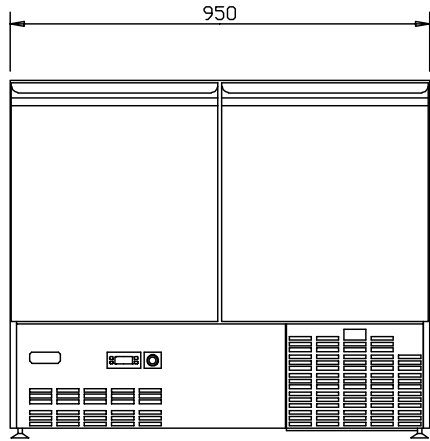
HBAF010

2009-10-06

Subject to change without notice

Electrolux Saladette
250 compact refrigerated table

728632



728632

HBAF010

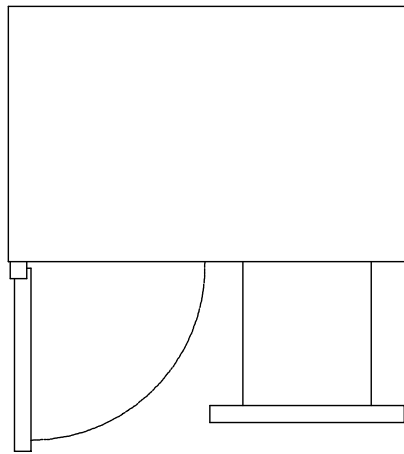
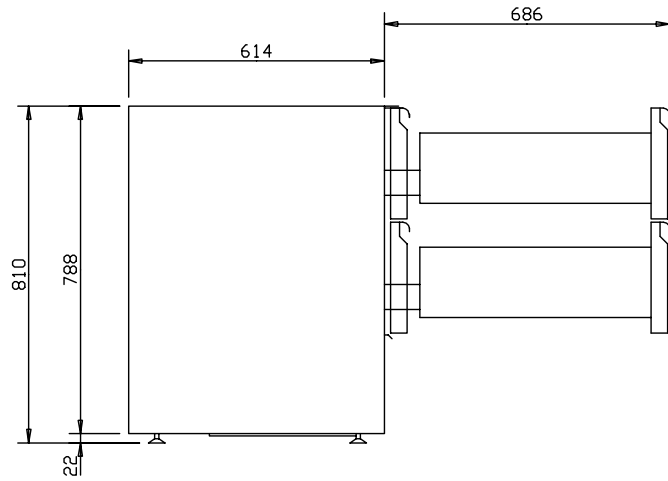
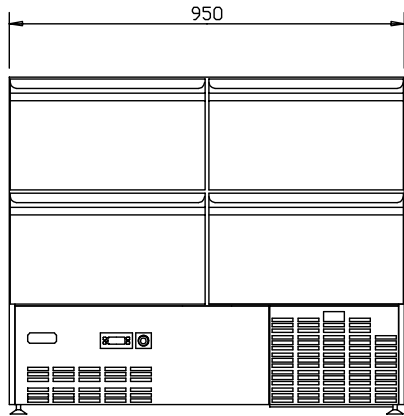
2009-10-06

Subject to change without notice

LEGEND EI - Electrical connection	SAL25N20 728632
	230 V, 1N, 50

Electrolux Saladette
250 compact refrigerated table

728633



728633

LEGEND

EI - Electrical connection

SAL25N04
728633

230 V, 1N, 50

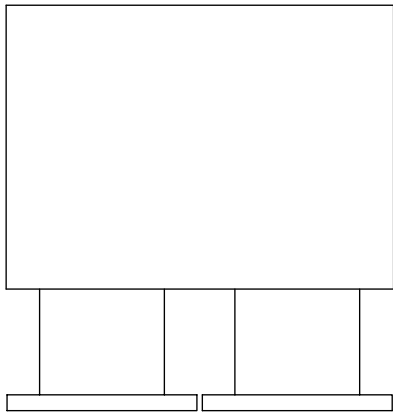
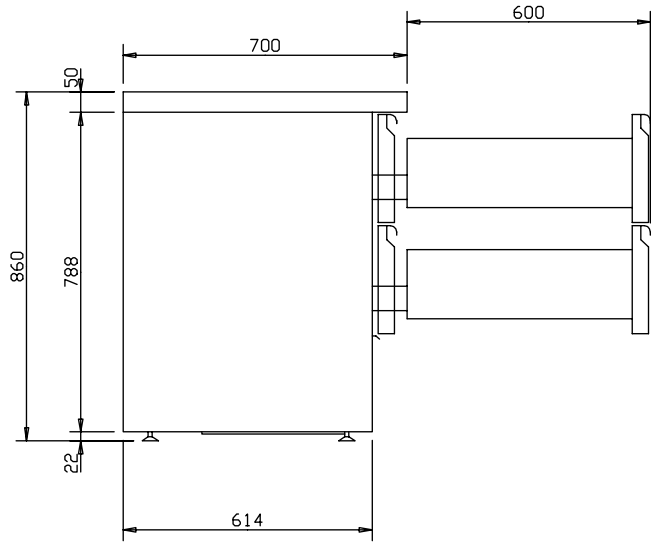
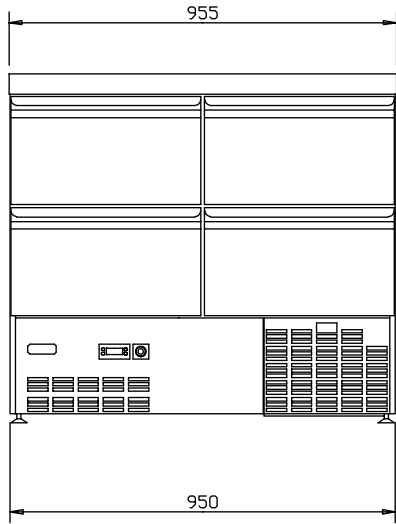
HBAF010

2009-10-06

Subject to change without notice

Electrolux Saladette
250 compact refrigerated table

728634



728634

LEGEND EI - Electrical connection	SAL25T04 728634
	230 V, 1N, 50

HBAF010

2009-10-06

Subject to change without notice