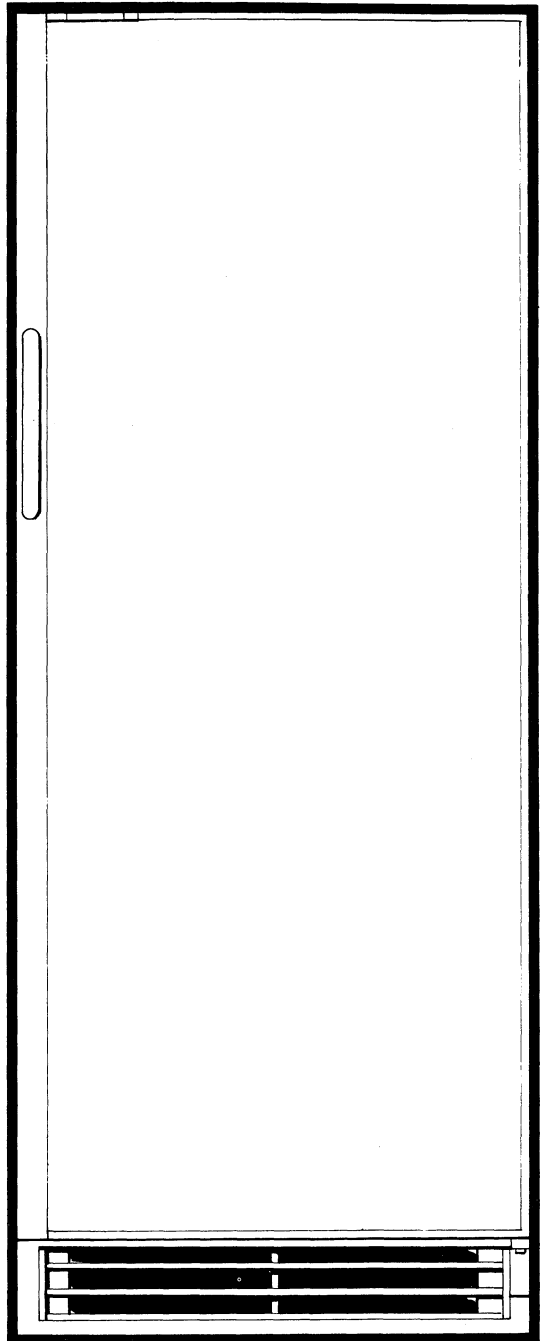




how to use your
Electrolux
REFRIGERATOR/CHILLER
Models
RP122 and RP126



PLEASE HELP

IF THIS APPLIANCE IS REPLACING AN OLD REFRIGERATOR OR FREEZER WHICH IS GOING TO BE SCRAPPED, WE ASK YOUR ASSISTANCE IN PREVENTING CHILDREN FROM BECOMING TRAPPED INSIDE THE OLD MODEL BY ENSURING THAT ITS DOOR OR LID IS REMOVED BEFORE DISPOSAL.

INSTALLATION

After unpacking your new refrigerator/chiller, the interior, shelves, etc., should be washed as described later under "Cleaning". If possible, the cabinet should be located out of direct sunlight and away from extremes of temperature. The refrigerator/chiller will be quite heavy when loaded and it must therefore be stood on a firm, sound floor. It should also be level in both directions so that the defrost water will run properly along the drain channel under the cooling plate to the drain tube at the back.

If necessary, the level can be adjusted by means of the levelling screws provided under the corners of the cabinet.

For correct functioning of the cooling system, air must circulate freely over the cabinet and over the motor compressor and condenser at the back. To ensure sufficient air circulation for satisfactory operation, a vertical clearance of at least 50mm (2 inches) must be left over the top of the cabinet and, for optimum performance, a space of at least 50mm (2 inches) should also be left at one side or 25mm (1 inch) at each side. The back of the cabinet may be placed close to the wall, but should not touch it.

Do not place the refrigerator/chiller in a small pantry or in any other place with restricted ventilation.

The cooling system is fitted with a 220V (nominal) motor which is suitable for use on 200 to 240V 50 c/s a.c. electricity supplies, and has a 3-wire mains lead which is intended for connection to a 3-pin plug and a properly earthed socket outlet.

IMPORTANT: The wires in the mains lead of this appliance are coloured in accordance with the following code:-

GREEN-AND-YELLOW : EARTH. BLUE : NEUTRAL. BROWN : LIVE.

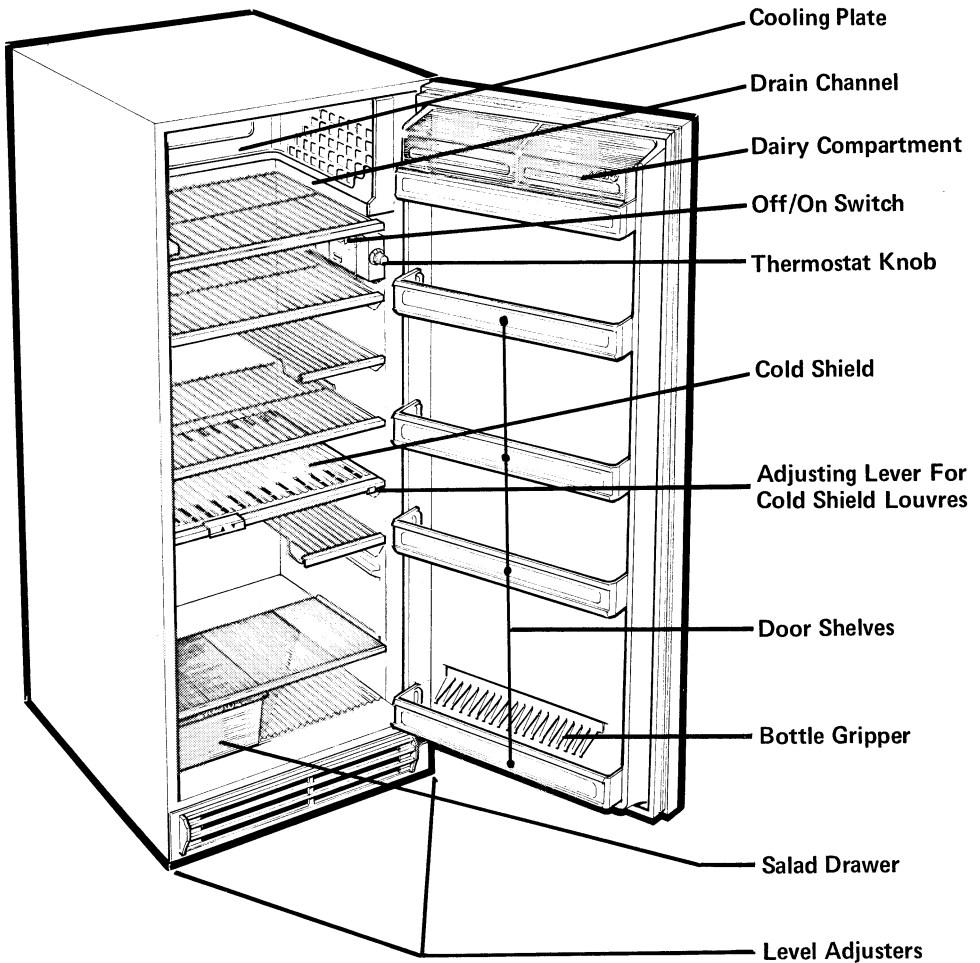
As the colours of the wires in the mains lead may not correspond with the coloured markings identifying the terminals in your plug, proceed as follows:-

The wire which is coloured **GREEN-AND-YELLOW** must be connected to the terminal in the plug which is marked with the letter **E** or by the earth symbol \equiv or coloured green or green-and-yellow.

The wire which is coloured **BLUE** must be connected to the terminal which is marked with the letter **N** or coloured black.

The wire which is coloured **BROWN** must be connected to the terminal which is marked with the letter **L** or coloured red.

WARNING – THIS APPLIANCE MUST BE EARTHED.



If a 13 amp (B.S. 1363) fused-plug is used, it should be fitted with a 13 amp. fuse. In other cases, the circuit to which the appliance is connected should be fitted with a 10 amp. fuse.

STARTING-UP

To start the refrigerator/chiller, plug into the wall socket and switch on; turn the thermostat knob to setting number 4, then depress the switch at the side of the thermostat housing to 'on', see fig. 1.

TEMPERATURE REGULATION

The temperatures in the refrigerator/chiller will be influenced by such things as its location, room temperature, and the frequency and duration of door openings. These effects can be taken care of by turning the thermostat knob (fig. 1) to different settings.

Under normal conditions of use, setting number 4 will usually be found suitable but, if less cooling is required, in winter for instance, the thermostat knob should be turned to a lower number. If more cooling is required, especially in hot weather or when the cabinet is well filled, it may be turned to a higher number. The higher the number, the colder the temperature.

Remember to re-set the thermostat knob to its usual position when conditions return to normal.

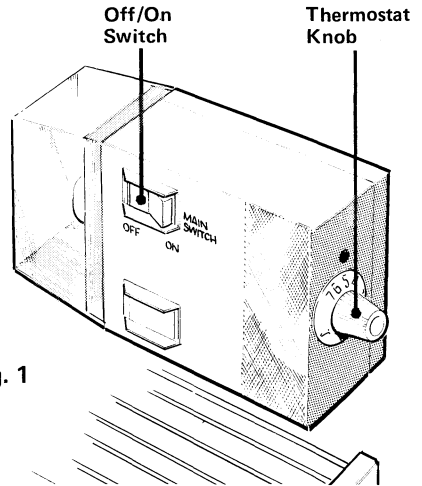


Fig. 1

The Cold Shield

Two separate temperature zones are provided in the cabinet by means of the louvred cold shield. The section of the cabinet *above* the shield provides suitable temperatures for normal refrigerated storage, whilst the section *below* the shield is less cold, providing chilled storage space for drinks, salads, desserts, and other 'ready-for-the-table' items.

The cold shield can be moved to alternative positions, in the place of other cabinet shelves, varying the capacity of each section at any time to suit your own particular requirements.

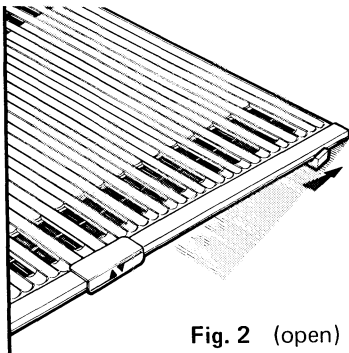


Fig. 2 (open)

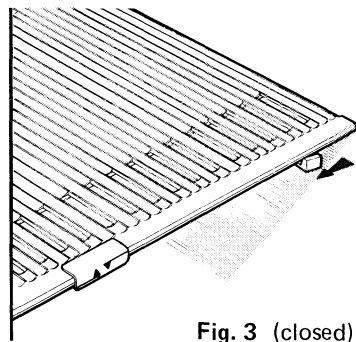


Fig. 3 (closed)

The openings in the cold shield can be opened and closed to regulate the flow of cold air passing from the upper to the lower section. With the adjusting lever to the right (fig. 2), the louvres are open, allowing more cold air to pass into the lower section; with the lever to the left (fig. 3), the louvres are closed and the lower section will become less cold.

The cold shield can be used as a shelf for food and containers, but articles in soft wrappings which could interfere with the flow of air when the louvres are open, should not be placed over the openings.

GENERAL INFORMATION

To prevent drying out and the transfer of flavours from one food to another, foods should always be stored in covered dishes, or plastic bags, or wrapped in foil or waxed paper. Avoid using large dishes and do not stack food or food containers too closely as this may interfere with the circulation of cold air.

Never put hot food into the cabinet — allow it to cool to room temperature before storing.

The door shelf arrangement gives handy storage for bottles, tins, packets etc., and the covered dairy compartment is for butter, fats, and cheese.

All white wines — whether sparkling or not, should be served chilled, and the bottles should be placed in an upright position in the door shelves, or in the cabinet, for about an hour before serving. Lager and light beers should also be served chilled, and both Cola drinks and all varieties of soft drinks are greatly improved by being served cold.

The bottle gripper in the lower door shelf allows the safe storage of differing sizes of bottles.

AUTOMATIC DEFROSTING

The cooling plate at the top, inside the cabinet, defrosts automatically at each cycle of the thermostat. The resultant water drips into the channel below the plate and then runs through a tube into the evaporating tray situated underneath the refrigerator behind the lower ventilator. **The defrost water will then be evaporated automatically and the tray will not need emptying.**

Do not allow particles of food to collect in the drain channel under the cooling plate otherwise they may enter and block the drain tube.

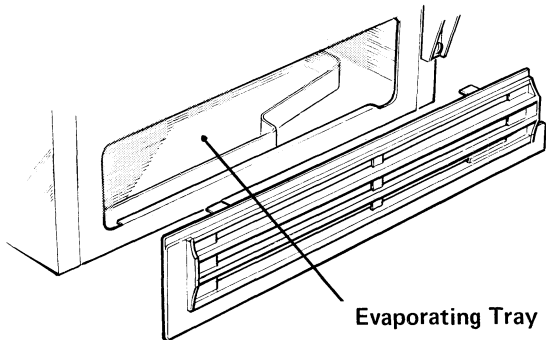


Fig. 4

CLEANING

Periodically, it is desirable to clean the cabinet thoroughly. Disconnect the mains lead from the electricity supply, empty the cabinet and take out the salad drawer, shelves, etc. The door shelves can be removed simply by lifting one end upwards.

Clean the inside of the cabinet and door, and the accessories, with a clean cloth wrung out in warm water to which a little non-scented washing-up liquid detergent has been added. Wipe over with a cloth rinsed in warm water only, and dry thoroughly.

Do not wash any plastic parts in water that is more than hand warm and do not expose them to dry heat.

Dust the outside of the cabinet regularly, and occasionally wipe it over with a

clean, damp cloth, followed by a dry, clean duster. A little mild wax polish, applied sparingly to the paintwork every few weeks will help to maintain the gloss finish in good condition.

Once or twice a year, remove the ventilator (fig. 4) and clean the evaporating tray underneath the cabinet, with a damp cloth.

NEVER USE STRONG CHEMICALS OR ABRASIVE CLEANING MATERIALS ON ANY PART OF THE REFRIGERATOR/CHILLER.

HOLIDAYS

Many fresh foods will not keep in a refrigerator for the length of a normal holiday and it is advisable to consume or dispose of any remaining before departure.

If the electricity supply is turned off at the main switch, remember that it will put the cooling system out of use. If it is intended to do this, the refrigerator/chiller must first be emptied and cleaned, and the door left open, as described in the next item.

WHEN NOT IN USE

Whenever your refrigerator/chiller is to be out of use for a period, switch off and remove the plug from the supply socket. Empty the cabinet, then clean and thoroughly dry the interior and accessories as described under 'Cleaning'. Leave the door ajar otherwise the air inside may go stale giving rise to an unpleasant odour which could be difficult to remove at a later date.

INTERIOR LIGHT BULB

To change the interior light bulb, **first disconnect the refrigerator/chiller from the electricity supply**. Remove the light cover by inserting a pencil or similar object into the upper rectangular opening in the rear of the cover and gently levering up the top front right-hand corner to disengage it. Repeat at the lower corner, and take away the cover.

Unscrew the bulb and screw in a new S.E.S. 10 or 15 watt bulb. Refit the lamp cover, sliding it onto the plastic housing until it clicks firmly onto place; reconnect to the electricity supply and switch on.

Replacement of light bulbs is not a free-under-guarantee service.

POINTS TO NOTE

If the refrigerator/chiller fails to operate properly at any time, check the following points:-

- a) Is the plug properly connected to the wall socket and is the socket switched 'on'?
- b) Is the switch in the refrigerator compartment in the 'on' position?
- c) Is the fuse in the plug and/or circuit supplying the refrigerator/chiller in order?
- d) Is the thermostat at the correct setting?
- e) Has there been a power failure? Your lights or electric clocks may give some indication of this.

If, after checking the above, you are not able to correct the fault, contact your nearest Electrolux office, – see addresses on the back page.

Guarantee

Electrolux products are carefully designed, manufactured, tested and inspected and in consequence we can undertake to replace or repair any part found to be defective in material or workmanship, within one year of delivery to the original purchaser, free of any charge.

The guarantee is only conditional upon the appliance being correctly installed and used in accordance with the Company's instructions under normal conditions in European temperate climates. It may however be invalidated by unauthorised repair or modification of the appliance.

The Company does not accept any additional liability for defects arising from normal wear and tear, neglect, or accident, nor for any consequential damage. The interior light bulb and glassware are also excluded from the guarantee.

Customers are asked to assist the Company to carry out its undertaking under this guarantee by filling in the details on the enclosed registration card and returning it within 14 days. This will facilitate prompt service and provide valuable statistical information.

Unless the guarantee has been registered, other proof of the date of purchase will be required before free service is provided. Regional offices from whom service can be obtained are listed overleaf.

IMPORTANT

The date of purchase should be entered in this panel.

/	/
---	---

Electrolux Service Organisation

Should you require help or service in connection with your Electrolux, please contact our Regional Service Office for your area.

* SOUTHERN REGION

Electrolux Ltd., Hippodrome House,
Birchett Road, Aldershot, Hants.
(Aldershot 24505)

*Covering area of Southern, South Eastern,
and South Western Electricity Boards.*

* EASTERN AND LONDON REGION

Electrolux Ltd., (Eastern & London Region),
Luton, Beds. LU4 9QQ (Luton 53255)

*Covering area of Eastern and London
Electricity Boards.*

- * Additionally, London Postal District
residents may telephone 01-686 4321
to register service requests

MIDLANDS & SOUTH WALES REGION

Electrolux Ltd., 3 Strensham Hill, Moseley,
Birmingham, 13. (021-449 4400)

*Covering area of Midlands, East Midlands
and South Wales Electricity Boards.*

NORTHERN REGION

Electrolux Ltd., Record Mill,
Empire Street, Great Harwood, Blackburn,
Lancs. (Great Harwood 886666)

*Covering area of Liverpool and North Wales,
North Western and Yorkshire and North
Lincs. Electricity Boards.*

SCOTLAND & NORTH EASTERN REGION

Electrolux Ltd., 5 Wellington Street,
Glasgow, C.2. (041-221 0274)

*Covering area of North Eastern and
Scottish Electricity Boards.*

NORTHERN IRELAND

Electrolux Ltd., 27 Franklin Street,
Belfast. BT2 8DU
(Belfast 27512)

EIRE

Electrolux Ltd., Santry Avenue,
Santry, Dublin 9.
(Dublin 373721)

**REFRIGERATOR/CHILLER RP122 & RP126 – LUX MODELS,
MADE IN SWEDEN**



**ELECTROLUX WORKS, LUTON,
BEDS., ENGLAND, LU4 9QQ**