

**Installation and Use of  
Larder-Refrigerator  
Models RP1210,C & RP1211,C**

## PLEASE HELP

**IF THIS APPLIANCE IS REPLACING AN OLD REFRIGERATOR OR FREEZER WHICH IS GOING TO BE SCRAPPED, WE ASK YOUR ASSISTANCE IN PREVENTING CHILDREN FROM BECOMING TRAPPED INSIDE THE OLD MODEL BY ENSURING THAT ITS DOOR OR LID IS REMOVED BEFORE DISPOSAL.**

## INTRODUCTION

This larder-refrigerator has been especially designed for the storage of fresh foods, salads, milk, drinks, etc. and is ideally suited for use in conjunction with a matching freezer available from your dealer. The interior is maintained at a temperature above freezing point for the storage of fresh foods; it is not intended for the storage of frozen foods or the making of ice.

## INSTALLATION

To support the door during transit, a plastic packing piece is fitted to the lower hinge. This packing piece should be removed, after opening the door, and kept for re-use should the refrigerator be removed to another address at a future date.

If possible, the cabinet should be located out of direct sunlight and away from extremes of temperature. It should not be immediately next to a cooker or other heat producing appliance. The larder-refrigerator will be quite heavy when loaded and it must therefore be stood on a firm, sound floor. It should also be level in both directions so that the defrost water will run properly along the drain channel under the cooling plate to the drain tube at the back.

If necessary, the level can be adjusted by means of the levelling screws provided under the corners of the cabinet, – a spanner for adjusting them is supplied.

For correct functioning of the cooling system, air must circulate freely over the cabinet and over the motor compressor and condenser at the back. To ensure sufficient air circulation for satisfactory operation, a vertical clearance of at least 50mm (2 inches) must be left over the top of the cabinet and, for optimum performance, a space of 25mm (1 inch) or more should be left at one side. The back of the cabinet may be placed close to the wall, but should not touch it.

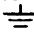
Do not place the appliance in a small pantry or in any other place with restricted ventilation.

The cooling system is fitted with a 220V (nominal) motor which is suitable for use on 200 to 240V 50 Hz a.c. electricity supplies, and has a 3-wire mains lead which is intended for connection to a 3-pin plug and a properly earthed socket outlet.

**IMPORTANT:** The wires in the mains lead of this appliance are coloured in accordance with the following code:-

**GREEN-AND-YELLOW : EARTH.                      BLUE : NEUTRAL.                      BROWN : LIVE.**

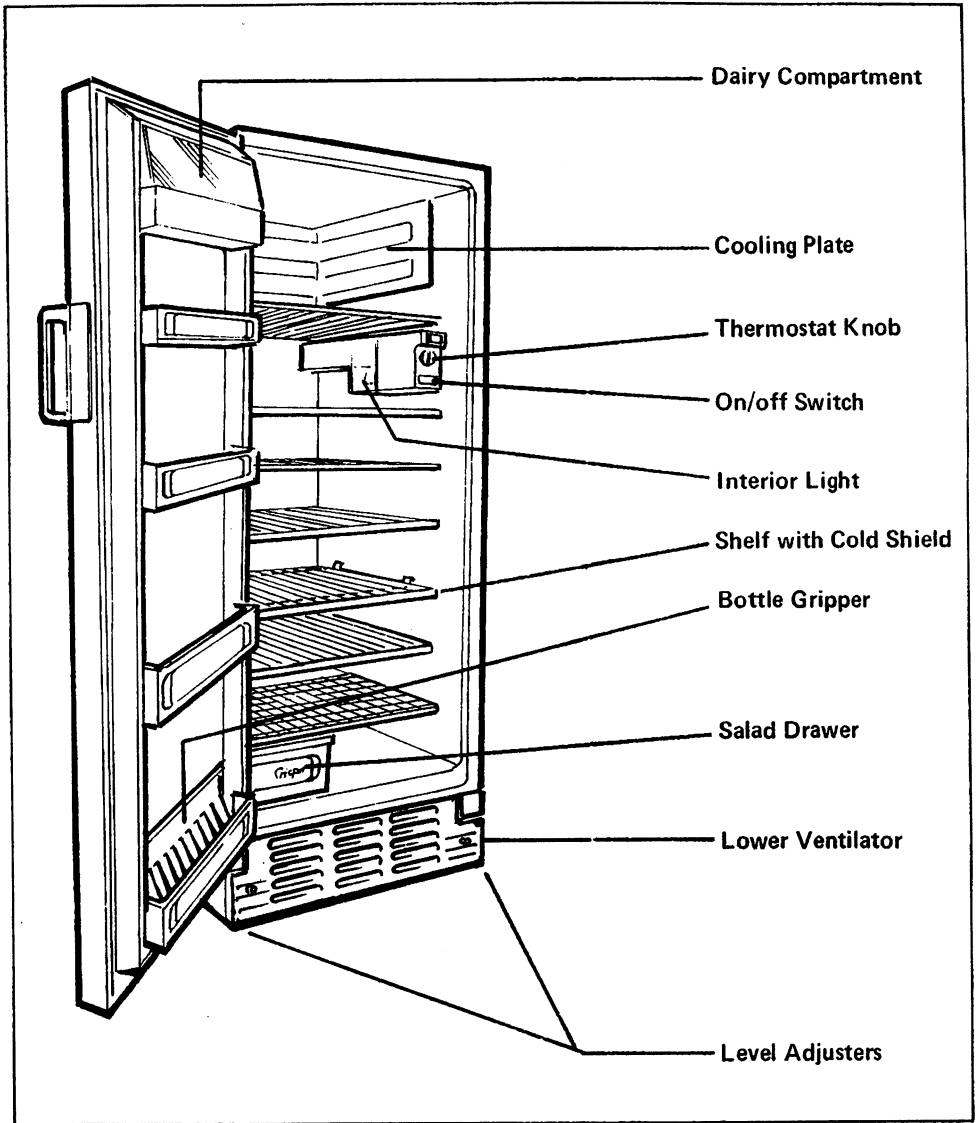
As the colours of the wires in the mains lead may not correspond with the coloured markings identifying the terminals in your plug, proceed as follows:-

The wire which is coloured **GREEN-AND-YELLOW** must be connected to the terminal in the plug which is marked with the letter **E** or by the earth symbol  or coloured green or green-and-yellow.

The wire which is coloured **BLUE** must be connected to the terminal which is marked with the letter **N** or coloured black.

The wire which is coloured **BROWN** must be connected to the terminal which is marked with the letter **L** or coloured red.

**WARNING – THIS APPLIANCE MUST BE EARTHED.**



If a 13 amp (B.S.1363) fused-plug is used, it should be fitted with a 13 amp. fuse. In other cases, the circuit to which the appliance is connected should be fitted with a 10 amp. fuse.

## STARTING-UP

Before using your new larder-refrigerator, the interior should be cleaned as described later under the heading 'Cleaning'.

To start the appliance, connect the plug to the wall socket and switch the socket on; turn the thermostat knob to setting No.4, then depress the on/off switch below the thermostat knob to 'I' (ON) and the motor compressor should start operating.

## TEMPERATURE REGULATION

The temperatures in the larder-refrigerator will be influenced by such things as its location, room temperature, and the frequency and duration of door openings. These effects can be taken care of by turning the thermostat knob (fig.1) to different settings.

Under normal conditions of use, setting number 4 will usually be found suitable but, if less cooling is required, in winter for instance, the thermostat knob should be turned to a lower number. If more cooling is required, especially in hot weather or when the cabinet is well filled, it may be turned to a higher number. The higher the number, the colder the temperature.

Remember to re-set the thermostat knob to its usual position when conditions return to normal.

## The Cold Shield

Two separate temperature zones are provided in the cabinet by means of the plastic cold shield attached to the underside of one of the cabinet shelves – see fig. 2. The section of the cabinet *above* the shield provides suitable temperatures for normal refrigerated storage, whilst the section *below* the shield is less cold, providing chilled storage space for drinks, salads, desserts, and other 'ready-for-the-table' items.

The cold shield shelf can be moved to alternative positions, in the place of other cabinet shelves, varying the capacity of each section at any time to suit your own particular requirements.

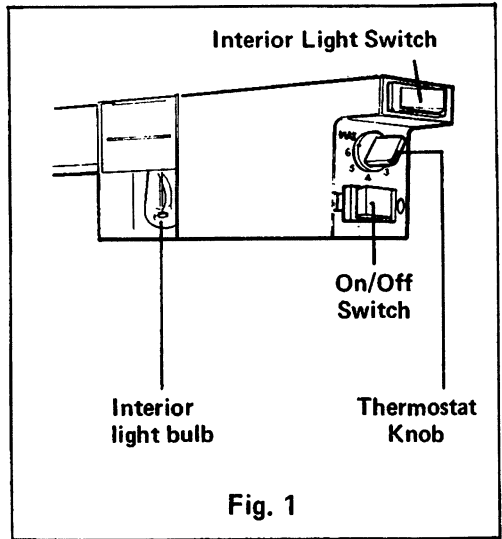


Fig. 1

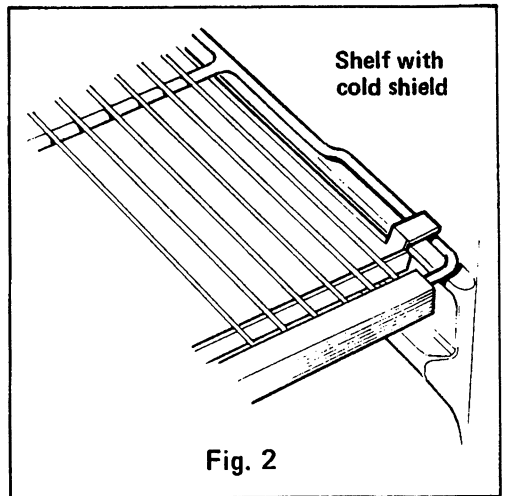


Fig. 2

## GENERAL INFORMATION

To prevent drying out and the transfer of flavours from one food to another, foods should always be stored in covered dishes, or plastic bags, or wrapped in foil or waxed paper. Avoid using large dishes and do not stack food or food containers too closely as this may interfere with the circulation of cold air within the cabinet.

Never put hot food into the cabinet, – allow it to cool to room temperature before storing.

The salad drawer on some models has an adjustable humidity/ventilation controller at the front. With the controller in the closed position, humidity will be retained in the drawer. With the controller partially or fully open, air will circulate more freely, resulting in a dryer atmosphere within the drawer. Experience will show you which settings best suit the particular foods that you store.

The door shelf arrangement provides handy storage for bottles, tins, packets, etc., and includes a covered dairy compartment for butter and cheese. A special gripper in the lower door shelf holds differing sizes of bottles securely.

The intermediate door shelves have alternative height positions; adjust them to suit your own storage requirements simply by removing them (hold at each end and lift upwards and out), and refitting, engaging the slots in the ends of the shelf over the appropriate supports in the door.

On some models, one of the cabinet shelves is fitted with a plastic tray which can be removed, if required, leaving an opening in the shelf to provide extra bottle storage space in the cabinet.

## AUTOMATIC DEFROSTING

The cooling plate inside the cabinet at the top defrosts automatically at each cycle of the thermostat. The resultant water will drip into the channel below the plate and run through a tube into the evaporating tray situated on the motor compressor at the lower rear of the refrigerator. The defrost water will then be evaporated automatically and the tray will not need emptying.

Do not allow particles of food to collect in the drain channel under the cooling plate otherwise they may enter and block the drain tube.

## CLEANING

Periodically, it is desirable to clean the cabinet thoroughly. Disconnect from the electricity supply, empty the cabinet and take out all loose accessories.

Clean the inside of the cabinet and door, and the accessories, with a clean cloth wrung out in a weak solution of bicarbonate of soda. Wipe over with a cloth rinsed in warm water only, and dry thoroughly.

Do not wash any plastic parts in water that is more than hand warm and do not expose them to dry heat.

Dust the outside of the cabinet regularly, and occasionally wipe it over with a clean, damp cloth, followed by a dry, clean duster. A little mild wax polish applied sparingly on the paintwork every few months will help to maintain the gloss finish in good condition.

**NEVER USE STRONG CHEMICALS, ABRASIVES, OR HIGHLY PERFUMED CLEANING MATERIALS ON ANY PART OF THE APPLIANCE.**

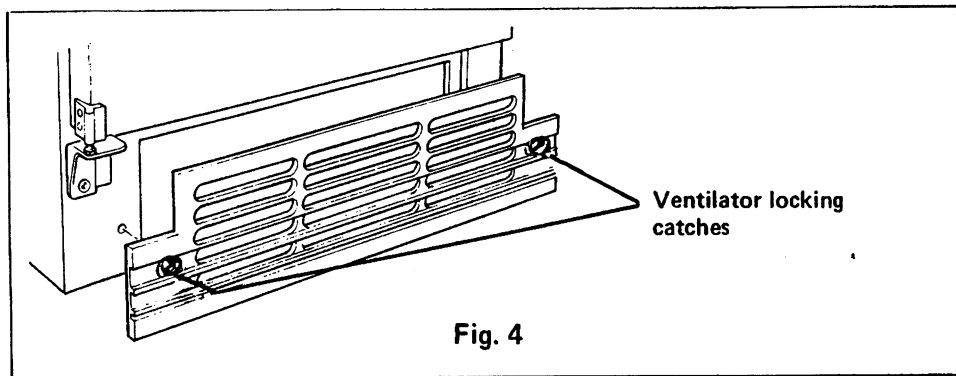


Fig. 4

The lower ventilator can be removed to clean underneath the cabinet by turning its two locking catches (fig. 4) 90° with a small coin, and pulling it forward. The left-hand catch should be turned clockwise, and the right-hand catch anti-clockwise to remove the ventilator.

## HOLIDAYS

Many fresh foods will not keep in a refrigerator for the length of a normal holiday and it is advisable to consume or dispose of any remaining before departure.

If the electricity supply is turned off at the main switch, remember that it will put the cooling system out of use. If it is intended to do this, the cabinet must first be emptied and cleaned, and the door left open, as described in the next item.

## WHEN NOT IN USE

Whenever your larder-refrigerator is to be out of use for a period, switch off and remove the plug from the supply socket. Empty the cabinet, then clean and thoroughly dry the interior and accessories as described under 'Cleaning'. Leave the door ajar otherwise the air inside may go stale giving rise to an unpleasant odour which could be difficult to remove at a later date.

## INTERIOR LIGHT BULB

The interior light of the RP1211 is fitted with one bulb, whilst that of the RP1210 has two bulbs. If it is necessary to fit a new bulb at any time, first disconnect the mains lead plug from the electricity supply. To gain access to a bulb, the light cover must be removed; do this (one end at a time on the long cover of the RP1210), by pushing down on the top of the cover whilst pulling the bottom away from the side of the lining until the cover flexes sufficiently in the centre to allow its lower clips to be released.

The replacement bulb should be of the screw-in type (S.E.S.), 15 or 25 watt, 240V.

When refitting the cover, first engage the hooks at the top of the cover over their locations at the top of the housing, then push the clips just above the centre, into place.

Replacement of light bulbs is not a free-under-guarantee service.

## DOOR HANG

If preferred, the door hang can be changed to the opposite side and instructions for doing this are given in the separate leaflet. Alternatively, an Electrolux Service Representative may be called in to do this by contacting the Service address for your area, — see back page. A charge would be made for this service.

## POINTS TO NOTE

If the appliance does not operate correctly at any time, check the following points :

- a) Is the plug properly connected to the wall socket and is the socket switched 'on'?
- b) Is the on/off switch (fig. 1) in the 'on' position?
- c) Is the fuse in the plug and/or circuit supplying the appliance in order?
- d) Is the thermostat at the correct setting?
- e) Has there been a power failure? Your lights or electric clocks may give some indication of this.

If, after checking the above, you are not able to correct the fault, contact your nearest Electrolux office, — see addresses on the back page.

---

# Guarantee

This Guarantee is offered to you as an extra benefit and does not affect your legal rights. Electrolux products are carefully designed, manufactured, tested and inspected and in consequence we can undertake to replace or repair any part found to be defective in material or workmanship, within one year of delivery to the original purchaser, free of any charge.

The guarantee is only conditional upon the appliance being correctly installed and used in accordance with the Company's instructions under normal domestic conditions in the United Kingdom or the Republic of Ireland. It may however be invalidated by unauthorised repair or modification of the appliance.

The Company does not accept any additional liability for defects arising from normal wear and tear, neglect, or accident. The interior light bulb and glassware are also excluded from the guarantee.

Customers are asked to assist the Company to carry out its undertaking under this guarantee by filling in the details on the enclosed registration card and returning it within 14 days. This will provide valuable statistical information.

Proof of the date of purchase will be required before free service is provided. Regional offices from whom service can be obtained are listed overleaf.

**Electrolux Limited**

For future reference, please  
enter date of purchase in this  
panel

/  /
------

# Electrolux Service Organisation

Requests for service should be made to

your nearest Electrolux Service Office. Please specify Model Number when applying.

## SOUTHERN REGION

Electrolux Ltd., Hippodrome House, Birchett Rd, Aldershot, Hants GU11 1LU  
Aldershot 24505 (STD code 0252).  
*For Southern, South Eastern and South Western Electricity Board areas.*

**Brighton area.** 12 Gloucester Place, Brighton 694341 (STD code 0273).

**Maidstone area.** 128 Sutton Road, Maidstone 677727 (STD code 0622).

**Southampton area.** 19 Church Street, Shirley, Southampton S01 5LG  
Southampton 785231 (STD code 0703).

**Devon and Cornwall.** 231 Albert Road, Devonport, Plymouth 58161 (STD code 0752).

**Avon and Somerset.** 3 Waring House, Redcliffe Hill, Bristol 211876 (STD code 0272).

**Jersey.** 1A Victoria Road, Georgetown, St Saviour. Central 22138 (STD code 0534).

**Croydon area.** Airport House, Purley Way, Croydon 01-688 2516. (Spares and Repairs only)

## NORTHERN REGION

Electrolux Ltd., Altham Lane, Altham, Accrington BB5 5XY  
Padiham 74621 (STD code 0282).  
*For North Western Electricity Board area.*

**Liverpool area.** 1 Honeys Green Precinct, Honeys Green Lane, Liverpool L12 9JH (051-220-8014)

**Manchester area.** 88 Bury Old Road, Whitefield, Manchester (061-798 9689).

**Merseyside & North Wales Electricity Board area.** 141 Brook Street, Chester 312038 (STD code 0244).

**Yorkshire Electricity Board area.** 70 Cross Gates Road, Leeds 608511 (STD code 0532).

**Sheffield area.** 51 Penistone Road North, Sheffield 338674 (STD code 0742).

## SCOTLAND & NORTH EASTERN REGION

Electrolux Ltd., 5 Wellington Street, Glasgow G2 6JB (041-204 0411).  
*For Scottish Electricity Board areas.*

**Aberdeen area.** 8 Cornhill Arcade, Cornhill Drive, Aberdeen 695761 (STD code 0224).

**Cumbernauld area.** Westfield Industrial Estate, Cumbernauld 85704 (STD code 023-67).

**Dundee area.** 119 Hilltown, Maxwell Shopping Precinct, Dundee 22630 (STD code 0382).

**Edinburgh area.** 4 Lochrin Place, Tollcross, Edinburgh 1232 (STD code 031-229).

**Inverness area.** Unit 3, Kinmylies, Inverness 223056 (STD code 0463).

**Carlisle area.** 116 Denton Street, Denton Holme, Carlisle CA 2 5HB  
Carlisle 44568 (STD code 0228).

**Tyne & Wear/Durham areas.** 4 Eastbourne Avenue, Gateshead 782381 (STD code 0632).

**Teesside/N. Yorks. areas.** 49 Mandale Road, Thornaby, Stockton-on-Tees 64848 (STD code 0642).

## NORTHERN IRELAND

Electrolux Ltd., 27 Franklin Street, Belfast BT 2 8DU, Belfast 27512 (STD code 0232).

## REPUBLIC OF IRELAND

Electrolux (Santry) Ltd., Unit 15, Airways Industrial Estate, Swords Road, Cloghran, Co. Dublin 426111 (STD code 0001).

†

†

†

Users residing within 20/30 miles of Croydon, including all London Postal Districts, may telephone 01-686 4321 to register service requests.

## EASTERN AND LONDON REGION

Electrolux Ltd., (Eastern & London Service Office), Oakley Road, Luton, Beds. LU4 9QQ  
Luton 55966 (STD code 0582).

*For Eastern and London Electricity Board areas.*

**North London area.** Lancelot Road, Wembley, Middlesex (opening shortly).

**Thames area of Essex.** 638 London Road, Westcliffe. Southend 354313 (STD code 0702).

**Norwich area.** 1 Malthouse Lane, Norwich 614157 (STD code 0603).

## MIDLANDS & SOUTH WALES REGION

Electrolux Ltd., 3 Strensham Hill, Moseley, Birmingham B13 8AQ (021-449 5252).  
*For Midlands and East Midlands Electricity Board areas.*

**Cheltenham area.** 16 Suffolk Parade, Cheltenham, Gloucestershire  
Cheltenham 584051 (STD code 0242).

**Nottingham area.** 213 Derby Road, Bramcote, Nottingham 396927 (STD code 0602).

**Potteries area.** 107 Church Street, Stoke-on-Trent 413414 (STD code 0782).

**South Wales Electricity Board area.** 19 David Street, Cardiff 387444 (STD code 0222).

Powell Duffryn House, Adelaide Street, Swansea 51848 (STD code 0792).

These appliances conform with the requirements of EEC Directive No. 76/889 relating to Radio Interference.

LARDER-REFRIGERATORS RP1210,C & RP1211,C – LUX MODELS  
MADE IN SWEDEN



**Electrolux**

® ELECTROLUX LTD., LUTON,  
BEDS., ENGLAND, LU4 9QQ

Publication No.

820 91 50