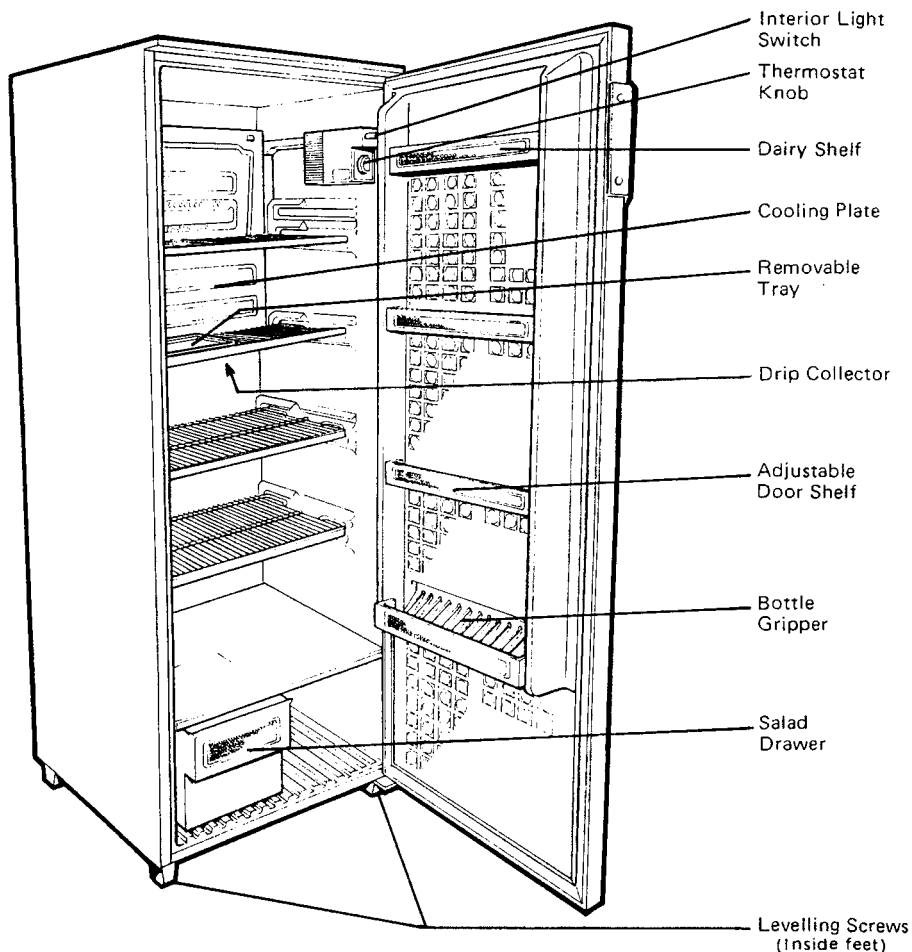


# Installation and Use of Larder-Refrigerator Model RP1013

238

**ELECTROLUX**  
**BONUS COVER**  
"Peace of mind for a  
few pence a week."  
See separate  
Electrolux  
Leaflet

**PLEASE HELP – IF THIS APPLIANCE IS REPLACING AN OLD REFRIGERATOR OR FREEZER WHICH IS GOING TO BE SCRAPPED, WE ASK YOUR ASSISTANCE IN PREVENTING CHILDREN FROM BECOMING TRAPPED INSIDE THE OLD MODEL BY ENSURING THAT ITS DOOR OR LID IS REMOVED BEFORE DISPOSAL.**



## INTRODUCTION

This type of refrigerator, known as a Larder-refrigerator, has been designed with the freezer owner particularly in mind. It provides suitable temperatures for the storage of fresh foods and drinks throughout the entire cabinet; it is not suitable for the making of ice or the storage of frozen food.

## DOOR HANG

If preferred, the door hinges and handle on this appliance can be transferred to the opposite side to reverse the door hang. Instructions for doing this are given on page 6.

## INSTALLATION

Your new refrigerator can be installed as a free-standing model in a convenient position in the kitchen, or side by side with a matching freezer such as the model TF770. (The sides should not touch each other. A small gap must be left between the two cabinets for air to circulate between them).

The refrigerator should not be located immediately next to a cooker or other source of direct heat or where it would be subjected to prolonged periods of direct sunlight. It must be stood on a firm floor and should be level in both directions. Level adjusting screws are provided in the feet.

For correct functioning of the cooling system, air must circulate freely over the motor compressor and condenser at the back. To ensure sufficient air circulation for satisfactory operation, a vertical free space of at least 50 mm (2") should be left over the top of the cabinet and the space underneath must not be obstructed in any way. The back may be placed close to the wall, but should not touch it. Do not install the refrigerator in any place with restricted ventilation.

The cooling system is for use on 220 to 240V 50 Hz a.c. electricity supplies and has a 3 wire mains lead which is intended for connection to a 3-pin plug and a properly earthed socket outlet.

**IMPORTANT :** The wires in the mains lead of this appliance are coloured in accordance with the following code : GREEN-AND-YELLOW: EARTH BLUE: NEUTRAL BROWN: LIVE

As the colours of the wires in the mains lead may not correspond with the coloured markings identifying the terminals in your plug, proceed as follows :-

The wire which is coloured GREEN-AND-YELLOW must be connected to the terminal in the plug which is marked with the letter 'E' or by the earth symbol  $\perp$  or coloured green or green-and-yellow.

The wire which is coloured BLUE must be connected to the terminal which is marked with the letter 'N' or coloured black.

The wire which is coloured BROWN must be connected to the terminal which is marked with the letter 'L' or coloured red.

**WARNING – THIS APPLIANCE MUST BE EARTHED.**

If a 13 amp (B.S.1363) fused-plug is used, it should be fitted with a 13 amp fuse. In other cases, the circuit to which the appliance is connected should be fitted with a 10 amp. fuse.

If at any time a replacement mains lead is required, the cross-sectional area of its conductors must not be less than 0.75mm<sup>2</sup>.

Before putting the refrigerator into use, the interior, shelves, and other loose accessories should be washed as described later under 'Cleaning'.

To start the cooling system, connect the plug to the wall socket, switch on, and turn the thermostat knob so that the indicator mark is opposite number 3 or 4.

### TEMPERATURE REGULATION

The temperature in the refrigerator will be influenced by such things as its location, room temperature, and the frequency and duration of door openings. These effects can be taken care of by changing the setting of the thermostat knob which is situated inside the cabinet, at the right-hand side.

According to British Standards, the required refrigerator temperature for the storage of fresh foods is from 0° to 7°C (32° to 45°F). In general, with the thermostat knob in your refrigerator set so that No. 3 or 4 is opposite the indicator mark, the temperature obtained will be within this range and will be suitable for storing most fresh foods, salad vegetables, milk, certain wines, and other beverages.

If more cooling is required, (in hot weather or when the cabinet is well filled with food, for instance), turn the thermostat knob to a higher number. If less cooling is required, turn the knob to a lower number.

### FOOD STORAGE

To prevent drying out and the transfer of flavours from one food to another, foods should always be stored in covered dishes or plastic bags, or wrapped in foil or waxed paper. Avoid using large dishes and do not stack food or food containers too closely as this may interfere with the circulation of cold air within the cabinet. Do not let food or containers come into direct contact with the cooling plate at the top rear. NEVER PUT HOT FOOD INTO THE REFRIGERATOR.

One of the cabinet shelves is fitted with a plastic tray which can be removed, if required, leaving an opening in the shelf to provide space in the cabinet for extra bottle storage or other tall items.

The door shelf arrangement provides storage space for bottles, tins, packets, etc. and there is a dairy shelf at the top of the door for butter and cheese. A special gripper in the lower door shelf holds differing sizes of bottles securely.

The second door shelf from the bottom has alternative height *and* depth positions and can be adjusted to suit your requirements. Simply remove the shelf by holding it at one end and lifting upwards. Re-fit it, engaging the required slots in the ends of the shelf over the appropriate supports in the door, — see fig. 1.

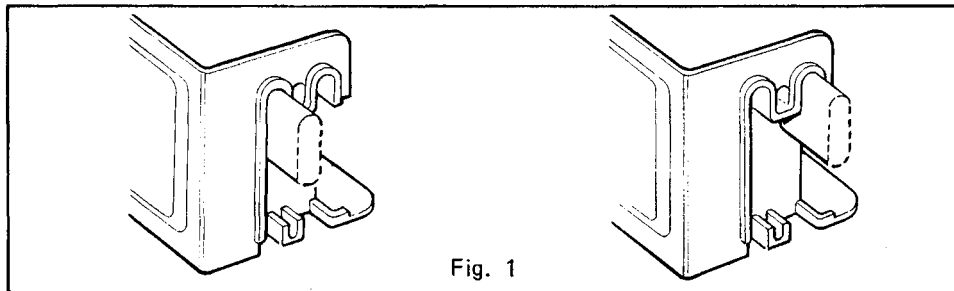


Fig. 1

## Milk

Wipe the caps and bottles with a clean cloth before placing in the door shelves.



## Meat

Unwrap meat as soon as it comes from the butcher. Wipe with a clean cloth, re-wrap in clean paper or foil or put it in a covered dish, and place in the refrigerator.



## Fish

Remove any wrapping, wipe, re-wrap or place the fish in a covered container. It is not advisable to store fish longer than a day or two in a refrigerator.



## Fruit

Generally speaking, fruit need only be put in the refrigerator to chill it before serving, or to check over-ripening. All fruit should be wrapped or put into a covered container to prevent its smell reaching other foods; this is particularly important when chilling melons and pineapples. Bananas should NOT be kept in the refrigerator as they will turn black.

Citrus fruits — oranges, grapefruit and lemons — should not be placed in direct contact with plastic surfaces.



## Salad Vegetables

Wash and thoroughly clean all green salad vegetables such as lettuce, spinach, celery and cress. Cut off any unwanted parts such as tops of carrots and radishes, trimmings of lettuce and unusable celery tops. Wipe tomatoes and cucumber. Place in plastic bags and store in the salad drawer.



## Canned Food

Many canned foods, such as meats and fruits, become more palatable when chilled before serving. Also, the chilling of canned cooked meat ensures that the meat is firm for slicing.

Fruit juices and tomato juice are more enjoyable when cold, and some canned beers are improved by chilling.

It is not necessary to store canned foods and drinks in the cabinet all the time — they need only be placed in it for two or three hours before consumption.



## Wines and other Beverages

All WHITE wines — whether sparkling or not — should be served chilled, and the bottles should be placed in an upright position in the door shelves for an hour or two before serving.

Lager and light beers should also be served chilled and both Cola drinks and soft drinks are generally improved by being served cold.



## **AUTOMATIC DEFROSTING**

The cooling plate at the top rear of the storage compartment is equipped with a fully automatic defrosting arrangement which comes into operation at the end of each cycle of the thermostat. The resultant defrost water will run into the channel below the cooling plate and then through a tube at the back of the refrigerator into an evaporating tray located on top of the motor compressor. The defrost water will then be evaporated, quite automatically, by heat from the motor, and the tray will not need emptying.

Do not allow particles of food to collect in the drip trough under the cooling plate otherwise they may enter and block the defrost-water drain tube. If the drain tube does become blocked at any time, it can be cleared with the careful use of a piece of flexible curtain wire.

## **CLEANING**

Periodically, the inside of the cabinet should be cleaned thoroughly. Disconnect from the electricity supply, empty the cabinet and take out the salad drawer, shelves, etc. The door shelves can be removed simply by lifting one end upwards.

Clean the inside of the cabinet and door, and the accessories, with a clean cloth wrung out in warm water to which a little bicarbonate of soda has been added. Wipe over with a cloth rinsed in warm water only, and dry thoroughly. Do not wash any plastic parts in water that is more than hand warm and do not expose them to dry heat.

Dust the outside of the cabinet regularly, and occasionally wipe it over with a clean damp cloth, followed by a dry, clean duster. A little mild wax polish applied sparingly to the paintwork every few months will help to maintain the gloss finish in good condition.

**NEVER USE STRONG CHEMICALS, ABRASIVES, OR HIGHLY PERFUMED CLEANING MATERIALS ON ANY PART OF THE REFRIGERATOR.**

After cleaning and drying, rub a little non-scented talcum powder or French Chalk onto the sealing face of the 'rubber' door gasket, particularly down the hinge side. This will enable the gasket to move readily against the cabinet as the door is closed.

## **HOLIDAYS**

Many fresh foods will not keep in a refrigerator for the length of a normal holiday and it is usually advisable to consume or dispose of any remaining before departure.

If the electricity supply is to be turned off at the main switch, remember that it will put the cooling system out of use. If it is intended to do this, the cabinet must first be emptied and cleaned, and the door left open, as described in the next item.

## **WHEN NOT IN USE**

Whenever your refrigerator is to be out of use for a period, switch off and remove the plug from the supply socket. Take out all foods, bottles, etc., then clean and thoroughly dry the interior and accessories as described earlier under 'Cleaning'. Leave the door ajar otherwise the air inside may go stale giving rise to an unpleasant odour which could be difficult to remove at a later date.

## **INTERIOR LIGHT BULB**

To change the interior light bulb, first disconnect the refrigerator from the electricity supply then remove the light cover by depressing the flexible rear part of the cover with the fingers to release it from its upper clip, while turning the rear of the cover towards the centre of the cabinet.

Unscrew the bulb and screw in a new S.E.S. 10 or 15 watt bulb. Put back the cover, engaging its lower rear and side edges in the recesses in the light housing before depressing and clipping the upper rear corner of the cover into place. Reconnect to the electricity supply and switch on.

Replacement of light bulbs is not a free-under-guarantee service.

## **REFRIGERATOR NOT OPERATING**

If the refrigerator fails to operate at any time, check the following points :-

- a) Is the plug properly connected to the wall socket and is the socket switched on ?
- b) Is the fuse in the plug and/or circuit supplying the refrigerator in order ?
- c) Is the thermostat knob at the correct setting ?
- d) Has there been or is there a power failure ? Your lights or electric clocks may give some indication of this.
- e) If the above items are in order, has the door been left open, causing the temperature to rise ?  
If, after checking the above you are not able to correct the fault, apply for service without delay — see back page.

## CHANGING THE DOOR HANG (see fig. 2, 3 & 4)

If preferred, the door hang can be transferred to the opposite side and instructions for doing this are given below. Alternatively, an Electrolux Service Representative may be called in to do this work for you if you contact the Service address for your area — see back page. A charge would be made for this service.

1. If the refrigerator is already in use, disconnect it from the electricity supply and take out any food etc. Remove shelves and other loose items and temporarily prevent the dairy compartment flap from opening by securing it with a piece of adhesive tape.
2. Gently lay the refrigerator on its back and take note of which way round the two front feet are positioned in relation to the cabinet front. Remove both front feet by taking out the cross-headed screw and washer (1) from the centre of the smaller foot, and the similar screw and washer (3) from the rear opening of the larger foot.

3. Remove the metal hinge blade (2) by taking out the screw (4) with its locking washer (5). Remove the lower hinge pin (6) which may come away with the hinge blade or may remain in the hinge bush in the door.

4. Support the weight of the door so that painted or plastic parts will not be damaged and open the door until it is upright. Carefully remove the door, lifting it away for two or three inches at the bottom corner (to clear the cabinet) before disengaging it from the upper hinge pin.

5. Unscrew the upper hinge pin (7), illustrated in fig. 3, using a screwdriver in its slot, and transfer the hinge pin to the threaded hole on the opposite side.

6. Being careful not to damage the paintwork etc. hold the door in the open position then re-fit it to the cabinet engaging the plastic bush at the top of the door with the upper hinge pin before lowering the door to the closed position.

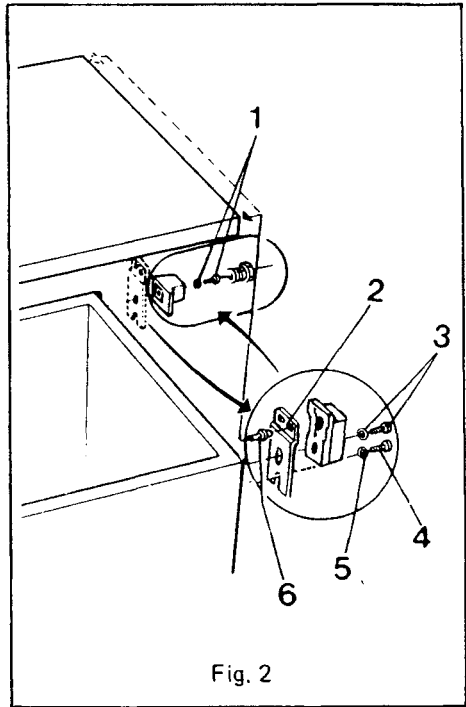
7. Push the round end of the lower hinge pin (6) into the appropriate plastic bush at the bottom of the door, then, taking care not to press down on the door and compress the gasket, fit the lower hinge blade (2) to the cabinet with the screw (4) and locking washer (5), the screw entering the rear hole in the hinge plate and cabinet. Ensure that the shaped end of the hinge pin enters and locates properly in the appropriate hole in the hinge blade.

8. Refit the cabinet feet, the larger foot being positioned under the hinge blade. (The screw for the smaller foot should enter the screw hole furthest from the front of the cabinet). Stand the appliance upright.

9. With a pocket knife blade or similar instrument, prise out the two plastic plugs (8) from the screw holes in the alternative handle position on the opposite side of the door. (The paintwork can be protected from damage whilst doing this with masking tape or other suitable material placed between the blade and the painted surface).

10. Transfer the handle to its new position and push the plastic plugs into the vacated screw holes.

11. With the cabinet standing on a level surface, check that the door opens and closes properly and seals all round. If any adjustment is necessary, this can be done by loosening the two screws (3) and (4) holding the lower hinge blade, and adjusting the hinge blade in or out, a little at a time, to tighten or loosen the fit. Re-tighten the screws each time an adjustment has been made before again checking the door for satisfactory closure.



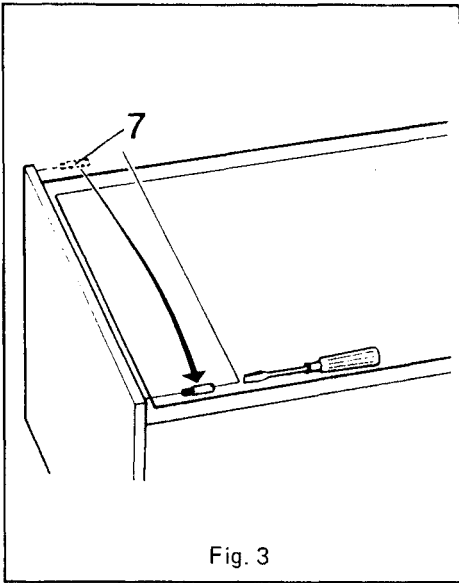


Fig. 3

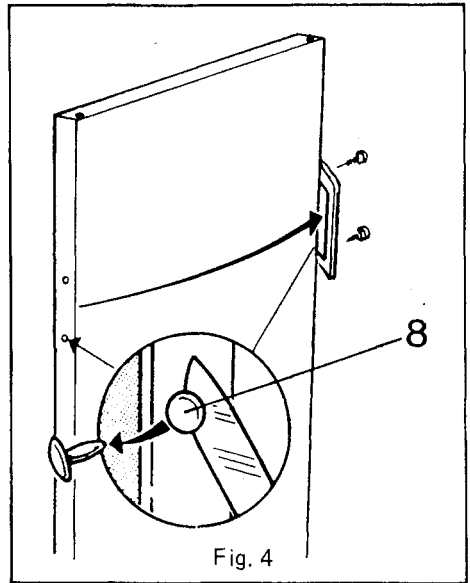


Fig. 4

# Guarantee

This Guarantee is offered to you as an extra benefit and does not affect your legal rights.

Electrolux products are carefully designed, manufactured, tested and inspected and in consequence we undertake to replace or repair any part found to be defective in material or workmanship, within one year of delivery to the original purchaser, free of charge.

This guarantee is conditional upon the appliance being correctly installed and used in accordance with the Company's instructions under normal domestic conditions in the United Kingdom or the Republic of Ireland. It may however be invalidated by unauthorised repair or modification of the appliance.

The Company does not accept liability for defects arising from neglect, misuse, or accident. The interior light bulb and glassware are also excluded from the guarantee.

Customers are asked to assist the Company to carry out its undertaking under this guarantee by filling in the details on the enclosed registration card and returning it within 14 days. This will provide valuable statistical information.

Proof of the date of purchase will be required before free service is provided. Addresses where service can be requested are listed overleaf.

Electrolux Limited

For future reference, please enter the date of purchase in this panel.

/		/
---	--	---

# Electrolux Service Organisation

Requests for service should be made to your nearest Electrolux Service Office. (See list below or consult your local telephone directory under Electrolux Ltd.) Please specify Model Number when applying.

## SOUTHERN REGION

Electrolux Ltd., Hippodrome House, Birchett Rd., Aldershot, Hants GU11 1LU  
Aldershot 24505 (STD code 0252)

**Avon and Somerset.** 3, Waring House, Redcliffe Hill, Bristol 211876 (STD code 0272)

**Brighton area.** 12, Gloucester Place, Brighton 694341 (STD code 0273)

**Buckinghamshire and Watford.** High Wycombe 41042 (STD code 0494)

**Cheltenham area.** 16, Suffolk Parade, Cheltenham, Gloucestershire, Cheltenham 584051 (STD code 0242)

**Croydon area.** Airport House, Purley Way, Croydon (01) 688 2516 (Spares only)

**Devon and Cornwall.** 231 Albert Road, Devonport, Plymouth 58161 (STD code 0752)

**Jersey.** 1A, Victoria Road, Georgetown, St. Saviour. Central 22138 (STD code 0534)

**Maidstone area.** 128 Sutton Road, Maidstone 677727 (STD code 0622)

**Southampton area.** 19, Church Street, Shirley, Southampton SO1 5LG  
Southampton 785231 (STD code 0703)

## LONDON REGION

Electrolux Ltd., Lancelot Road, Wembley, Middx.  
01-900 1204 (Spares only)  
01-903 1433 (Requests for service)

**Thames area of Essex.** 638 London Road, Westcliffe, Southend 354313 (STD code 0702)

## MIDLANDS & SOUTH WALES REGION

Electrolux Ltd., 3 Strensham Hill, Moseley, Birmingham B13 8AQ (021-449 5252)

### Luton area.

Electrolux Ltd., Oakley Road, Luton, Beds. LU4 9QQ  
Luton 53255 (STD code 0582) (Spares only)  
Luton 55966 (STD code 0582) Requests for service)

**Norwich area.** 1 Malthouse Lane, Norwich, Norwich 667868 (STD code 0603) (Spares only)  
Norwich 667017 or 667018 (Requests for service)

**Nottingham area.** 213 Derby Road, Bramcote, Nottingham 396927 (STD code 0602)

**Potteries area.** 107 Church Street, Stoke-on-Trent 413414 (STD code 0782)

**South Wales area.** 19 David Street, Cardiff 387444 (STD code 0222)  
Powell Duffryn House, Adelaide Street, Swansea 51848 (STD code 0792)

## NORTHERN REGION

Electrolux Ltd., Altham Lane, Altham, Accrington BB5 5XY  
Padiham 74621 (STD code 0282)

**Liverpool area.** 1 Honeys Green Precinct, Honeys Green Lane, Liverpool L12 9JH  
051-220-8014

**Manchester area.** 88 Bury Old Road, Whitefield, Manchester (061-798 9689)

**Merseyside & North Wales area.** 141 Brook Street, Chester 312038 (STD code 0244)

**Sheffield area.** 51 Penistone Road North, Sheffield 338674 (STD code 0742)

**Yorkshire.** 70 Cross Gates Road, Leeds 608511 (STD code 0532)

## SCOTLAND & NORTH EASTERN REGION

Electrolux Ltd., 5 Wellington Street, Glasgow G2 6JB (041-204 0411)

**Aberdeen area.** 8 Cornhill Arcade, Cornhill Drive, Aberdeen 695761 (STD code 0224)

**Ayrshire area.** Unit 'E', Tam's Brig, Limekiln Road, Ayr 262242 (STD code 0292)

**Carlisle area.** 116 Denton Street, Denton Holme, Carlisle CA2 5HB  
Carlisle 44568 (STD code 0228)

**Dundee area.** 119 Hilltown, Maxwell Shopping Precinct, Dundee 22630 (STD code 0382)

**Edinburgh area.** 4 Lochrin Place, Tollcross, Edinburgh 1232 (STD code 031-229)

**Inverness area.** Unit 3, Kinmylles, Inverness 223056 (STD code 0463)

### Teeside / N. Yorks. area.

49 Mandale Road, Thornaby, Stockton-on-Tees 64848 (STD code 0642)

**Tyne & Wear/Durham areas.** 1 Eastbourne Ave Gateshead 782381 (STD code 0632)

## NORTHERN IRELAND

Electrolux Ltd., 27 Franklin Street, Belfast BT2 8DU, Belfast 227512 (STD code 0232)

## REPUBLIC OF IRELAND

J.S. Distributors Ltd., Westlink Industrial Estate, Kylesmore Road, Dublin 10.  
Dublin 0001-268 326.

Electrolux Ltd. may introduce modifications to their products from time to time consequently the details given in this leaflet are subject to alteration without notice.

## LARDER-REFRIGERATOR RP1013 – A LUX MODEL, MADE IN BRITAIN

This appliance conforms with the requirements of EEC Directive No. 76/889 relating to radio interference.



ELECTROLUX LTD., LUTON,  
BEDS., ENGLAND, LU4 9QQ

© Electrolux Limited, 6/83

Publication No.

T323

820 91 93-01

Printed in England by Mitchells Printers (Luton) Limited