

# Electrolux benefit counters

## Remote refrigerating unit

The Electrolux range of benefit counters combines the convenience of worktop space with cold storage. The models detailed on this sheet are benefit counters with a remote refrigerating unit and with various combinations of doors and drawers.



Model 726203

### CONSTRUCTION

- Internal and external doors, front and side panels and removable worktop (50mm thick) in 304 AISI stainless steel.
- Back in galvanized steel.
- Insulation guaranteed by high density expanded cyclopentane 50 mm in thickness.
- Legs (150 mm high) in 304 AISI stainless steel with plastic interior and adjustable in height.
- CFC and HCFC free.
- All models comply with the standards required by the main international approval bodies and are H marked.

### PERFORMANCES

- Digital control panel allowing the easy and precise setting and control of the internal temperature.
- Completely automatic defrosting.
- Forced air cooling system guaranteeing great uniformity of the temperature in the counter and excellent conservation of the food quality.
- Operating temperature: -2/+10°C.
- Refrigerant gas R404a.
- Possibility to install on socket.

- Kit with 1/2 sized drawers available as accessory.
- The refrigeration unit can operate in tropical climates (+43°C ambient temperature).
- High standards of hygiene and ease of cleaning are guaranteed by the rounded internal corners of the cabinet and easily removable runners and grids (without the use of tools).
- The door self-closes when opened less than at a 90° angle and is equipped with a door seal to guarantee perfect closure.



**Electrolux**

**Electrolux benefit counters  
Remote refrigerating unit**

	<b>RCSN2M2R 726202</b>	<b>RCSN3M3R 726210</b>	<b>RCSN4M4R 726213</b>
<b>TECHNICAL DATA</b>			
Operating temperature - min/max °C	-2/10	-2/10	-2/10
Operating mode	Ventilated	Ventilated	Ventilated
Gross capacity (D.I.N. 8952) - l.	265	415	560
Cooling unit	Remote	Remote	Remote
Control type	Digital	Digital	Digital
External dimensions - mm			
width	1108	1587	2071
depth/with open doors	700, 1102	700, 1102	700, 1102
height	850	850	850
Worktop type	Stainless Steel	Stainless Steel	Stainless Steel
Top material	304 AISI	304 AISI	304 AISI
Min/Max internal humidity - %	50	50	50
Door - n.	2	3	4
Door hinges	1 Left+1 Right	1 Left+2 Right	2 Left+2 Right
N° and type of grids (included)	2, GN 1/1	3, GN 1/1	4, GN 1/1
N° defrost in 24 hrs.	every 6 hours	every 6 hours	every 6 hours
Refrigerant type	R404a	R404a	R404a
Refrigeration power - W		380	
Refrigerant power			
at evaporation temperature - °C	-23	-20	-20
Power - kW			
installed-electric	0.009	0.015	0.009
Noise level - dBA	48	48	48
Net weight - kg.	107	130	174
Power supply - V, phases, Hz	230 V, 1N, 50	230 V, 1N, 50	230 V, 1N, 50
<b>INCLUDED ACCESSORIES</b>			
1/1 GN GREY "RILSAN" GRID	2	3	4
<b>ACCESSORIES</b>			
AUTOMATIC DEFROST WITH WASTE EVAPORATION	880028	880028	880028
KIT 2 S/S GRIDS GN1/1 FOR REFRIG.TABLES	880139	880139	880139
KIT 4 WHEELS (2 W/BRAKE)+4 (40MM)SPACERS	880025	880025	880025
KIT DOOR REVERSIBILITY FOR REF.TABLES	880046	880046	880046
KIT HACCP EKIS	922166	922166	922166
KIT INTEGRATED HACCP-DIG. REFR. (IR33)	880205	880205	880205
LOCK KIT	880024	880024	880024
PLASTIC CONTAINER GN 1/1 H=150 MM	881040	881040	881040
PLASTIC CONTAINER GN 1/1 H=65 MM	881038	881038	881038
PRINTER FOR HACCP BASIC VERSION REFRIG.	881457	881457	881457
REMOTE UNIT FOR 2-3 DOOR REFRIG.TABLES	880044	880044	
REMOTE UNIT FOR 4 DOOR REFRIG.TABLES			880045
S/S STRUCTURE TO SUPPORT 6 GRIDS (R+L)	880140	880140	880140
STRUCTURE TO SUPPORT 3 GRIDS(RIGHT+LEFT)	880047	880047	880047
TWO ½ DRAWER KIT	880023	880023	880023

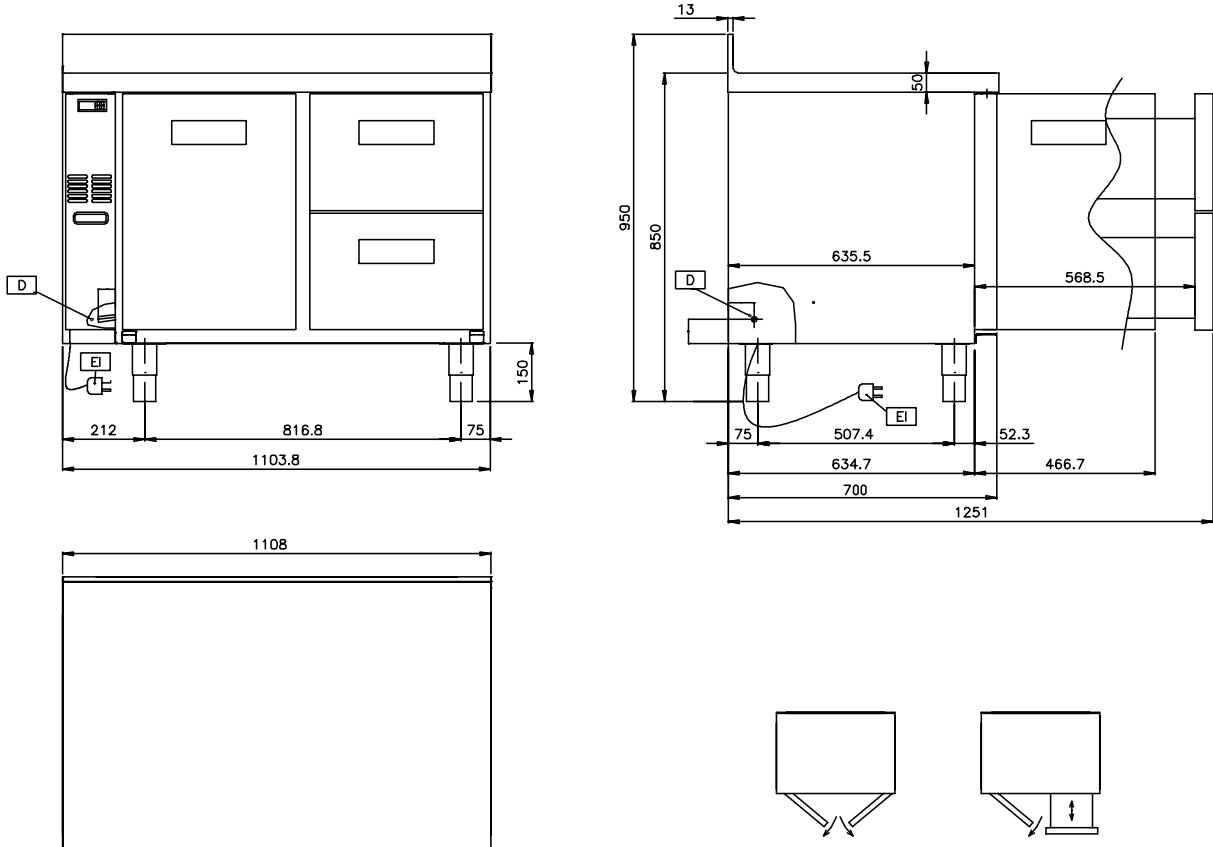
HBAD060

2009-10-06

Subject to change without notice

**Electrolux benefit counters  
Remote refrigerating unit**

726202



ELECTROLUX	
CODE	MODEL
726202	RCSN2M2R
726203	RCSN2M12R

<b>LEGEND</b> D - Water drain ED - Remote electrical connection EI - Electrical connection	<b>RCSN2M2R 726202</b>
	16mm
	●
	230 V, 1N, 50

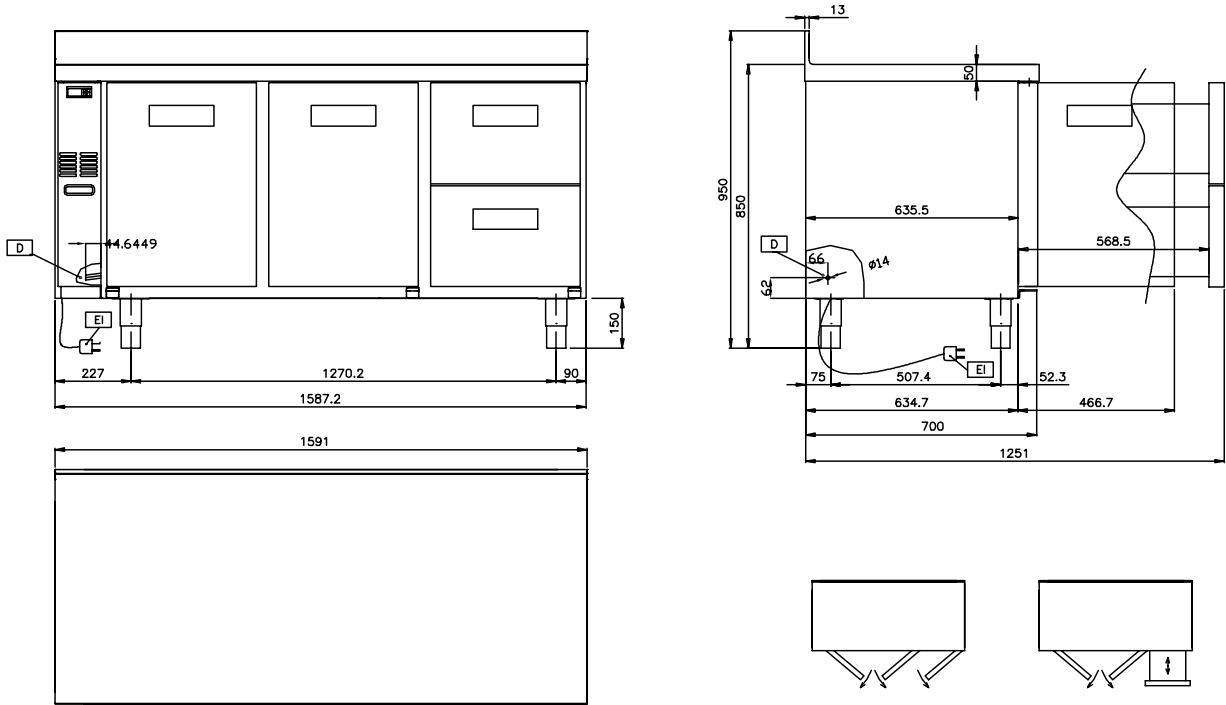
HBAD060

2009-10-06

Subject to change without notice

Electrolux benefit counters  
Remote refrigerating unit

726210



HBAD060

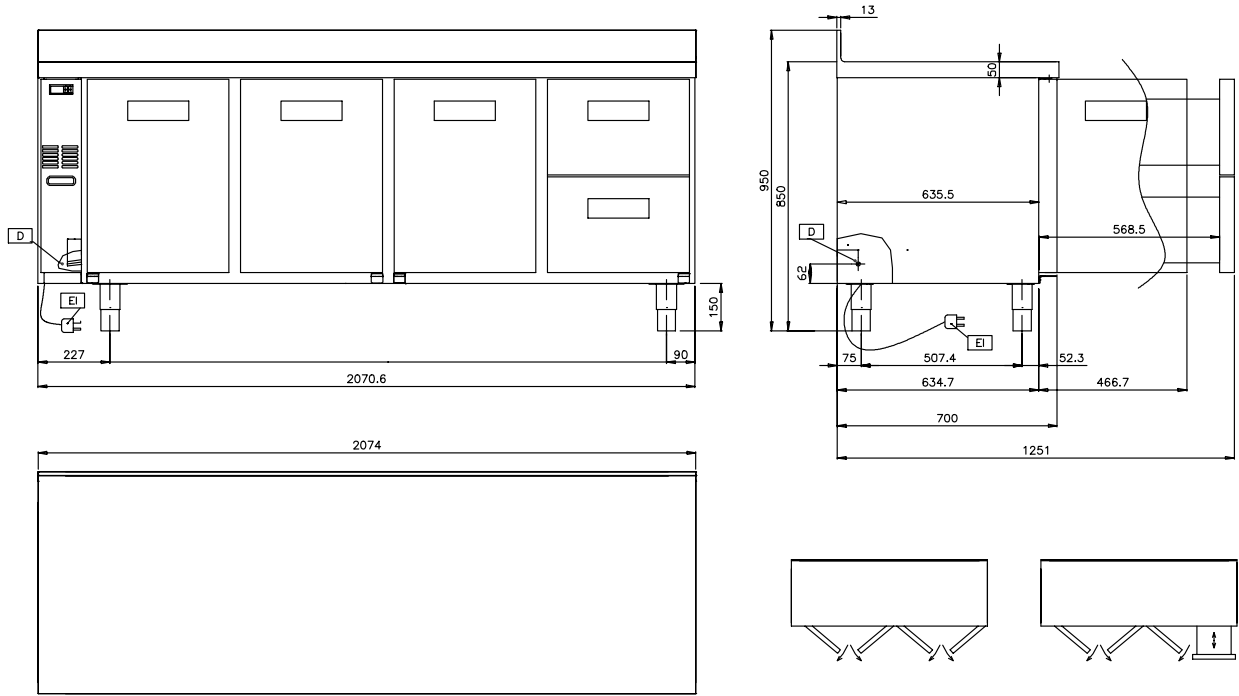
2009-10-06

Subject to change without notice

<b>LEGEND</b> D - Water drain ED - Remote electrical connection EI - Electrical connection	RCSN3M3R 726210
	16mm
	●
	230 V, 1N, 50

Electrolux benefit counters  
Remote refrigerating unit

726213



HBAD060

2009-10-06

Subject to change without notice

<b>LEGEND</b> D - Water drain ED - Remote electrical connection EI - Electrical connection	<b>RCSN4M4R</b>
	<b>726213</b>
	16mm
	● 230 V, 1N, 50