

Electrolux 400 Lt Line

Stainless steel refrigerators & freezers

The Electrolux 400 litre non-gastronorm range is produced for the customer who does not need refrigeration products suitable for gastronorm containers. This range is exclusive to Electrolux with regards its dimensions and built quality. The product range comprises of white pre-painted steel models, stainless steel models, glass door models and wine models. All the internal finishes are commercial grade ABS polystyrene. The models detailed on this sheet are 5 stainless steel models.



730182

EASY TO INSTALL

- All models require only 1 phase 220/240V supply. They can therefore be plugged straight into an existing power socket.

EASY TO CLEAN

- The runners for the shelves are thermoformed and incorporated in the inner structure therefore being easily cleanable.
- The whole interior cell is white thermoformed polystyrene which is impact resistant with rounded corners.
- No joints whatsoever to eliminate dirt traps.

EASY TO USE

- The models equipped with roll-bond plate have a plate installed in the internal backside of the unit equipped with a special thermostat to avoid ice formation. No defrosting phases are required.
- Designed to operate at ambient temperatures of 43 °C for refrigerators, 38 °C for freezers and fish models and 32 °C for glass models.
- Very quiet operation.
- Fan assisted cooling for even temperature distribution.
- Digital control panel allowing the easy and precise setting and control of the internal temperature.

EASY TO MAINTAIN

- Simple refrigeration system easily accessible from the rear of the units.
- All models in range finished in top quality materials to guarantee durability.

EASY ON THE ENVIRONMENT

- CFC and HCFC free environmentally friendly: R134a or R404a gas in refrigeration circuit. Gas in foam: Cyclopentane.
- Developed and produced in ISO 9001 and ISO 14001 certified factory.



Electrolux

Electrolux 400 Lt Line
Stainless steel refrigerators & freezers

	R04PVF4 730188	R04NVF4 730182	R04FSF4 730189	R04PVG4 730190	R04NVF4F 730183
TECHNICAL DATA					
Operating temperature - min/max °C	0/10	-2/8	-24/-15	0/10	-6/6
Operating mode	Ventilated	Ventilated	Static	Ventilated	Ventilated
External material					
panels	Stainless Steel	Stainless Steel	Stainless Steel	Stainless Steel	Stainless Steel
door	Stainless Steel	Stainless Steel	Stainless Steel	Glass	Stainless Steel
Gross capacity (D.I.N. 8952) - l.	400	400	400	400	400
Cooling unit	Built-In	Built-In	Built-In	Built-In	Built-In
Control type	Digital	Digital	Digital	Digital	Digital
External dimensions - mm					
width	703	703	703	703	703
depth/with open doors	620, 1310	620, 1310	620, 1310	620, 1310	620, 1310
height	1755	1755	1755	1755	1755
Min/Max internal humidity - %	84%	84%		84%	85%
Door hinges	Right Side	Right Side	Right Side	Right Side	Right Side
N° and type of grids (included)	4, 600x400	4, 600x400	4, 600x400	4, 600x400	
N° and type of basins					1+4, 600x300; 600x400
Compressor power - HP	1/5	1/4	1	1/5	1/4
Defrost type	Automatic (air)	Automatic (electrical)	Manual	Automatic (air)	Automatic (electrical)
N° defrost in 24 hrs.	2x30'	4/20'		2x30'	4/20'
Refrigerant type	R134a	R134a	R404a	R134a	R134a
Refrigerant quantity - g.	240	200	240	240	200
Refrigeration power - W	306	339	881	249	339
Refrigerant power					
at evaporation temperature - °C	-12	-10	-29	-12	-12
Power - kW					
installed-electric	0.163	0.385	0.527	0.193	0.35
Internal light				●	
Noise level - dBA	53.5	57	56	55	56
Net weight - kg.	75	75	77	85	77
INCLUDED ACCESSORIES					
PAIR OF GRIDS (WHITE) FOR 400LT REFRIG.	2	1		1	
PVC CONTAINER W/FALSE BOTTOM FOR 400 LT					5
ACCESSORIES					
2 WHEELS FOR REFRIGERATORS/REFRIG.TABLES	880539	880539	880539	880539	880539
PAIR OF "RILSAN" GRIDS FOR 400 L REFRIG.	880538	880538	880538	880538	880538
PAIR OF GRIDS (WHITE) FOR 400LT REFRIG.	880292	880292		880292	880292
PRINTER FOR HACCP BASIC VERSION REFRIG.	881457	881457	881457	881457	881457
PVC CONTAINER W/FALSE BOTTOM FOR 400 LT	881072	881072	881072	881072	881072

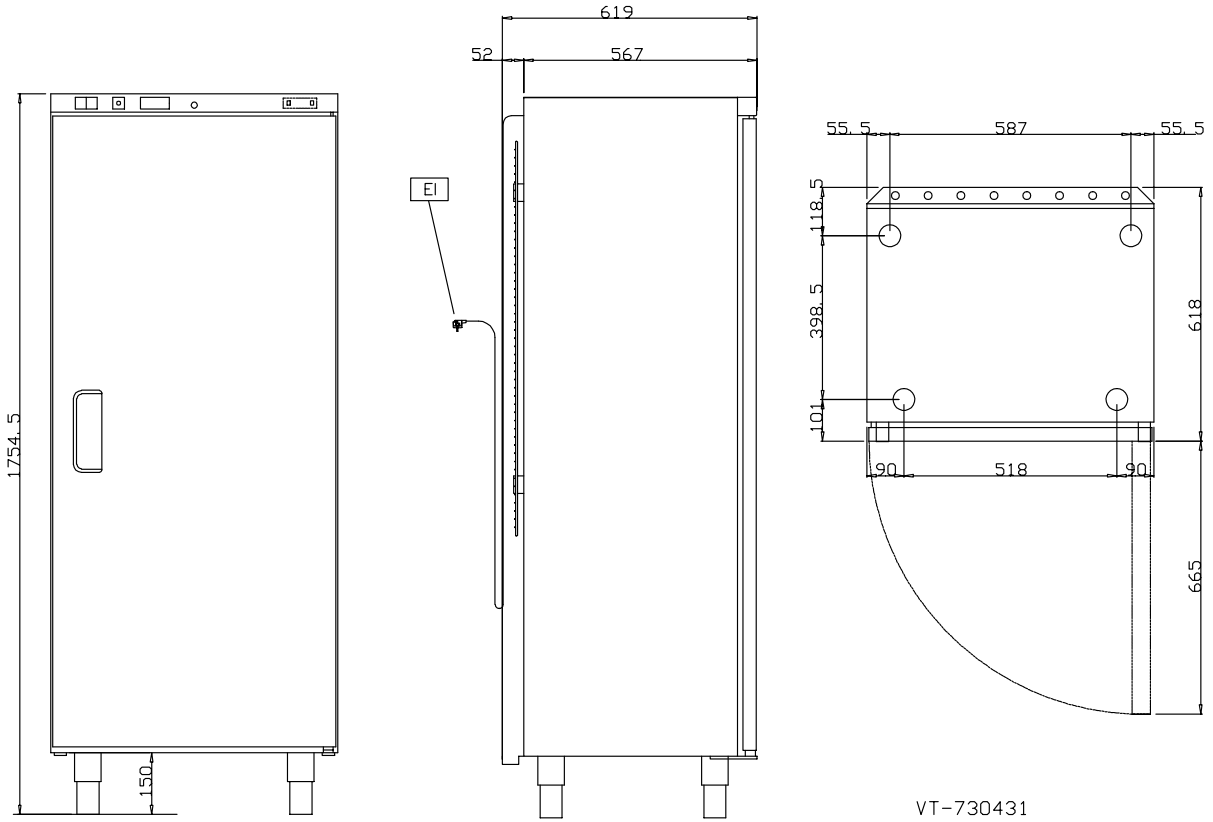
HAF010

2009-10-06

Subject to change without notice

**Electrolux 400 Lt Line
Stainless steel refrigerators & freezers**

730188, 730189, 730182



VT-730431
VT-730432
VT-730433

HAF010

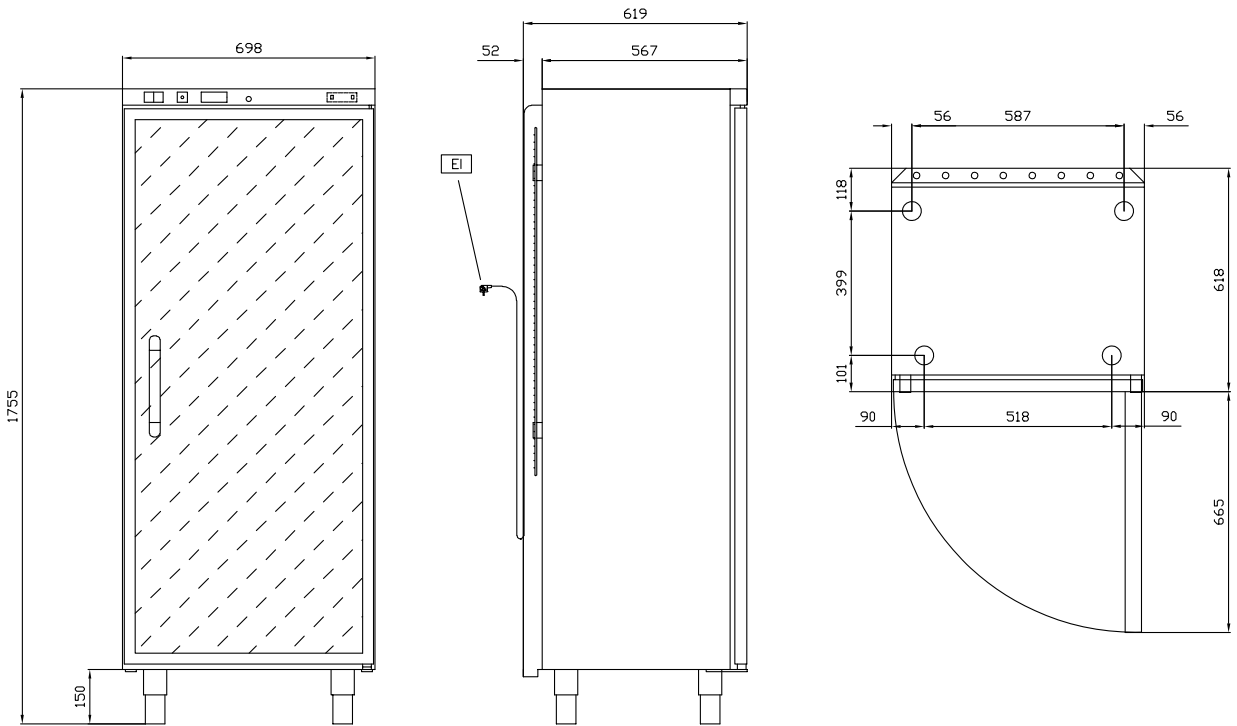
2009-10-06

	R04PVF4 730188	R04NVF4 730182	R04FSF4 730189
LEGEND			
EI - Electrical connection	230 V, 1N, 50	230 V, 1N, 50	230 V, 1N, 50

Subject to change without notice

**Electrolux 400 Lt Line
Stainless steel refrigerators & freezers**

730190



LEGEND

EI - Electrical connection

**R04PVG4
730190**

230 V, 1N, 50

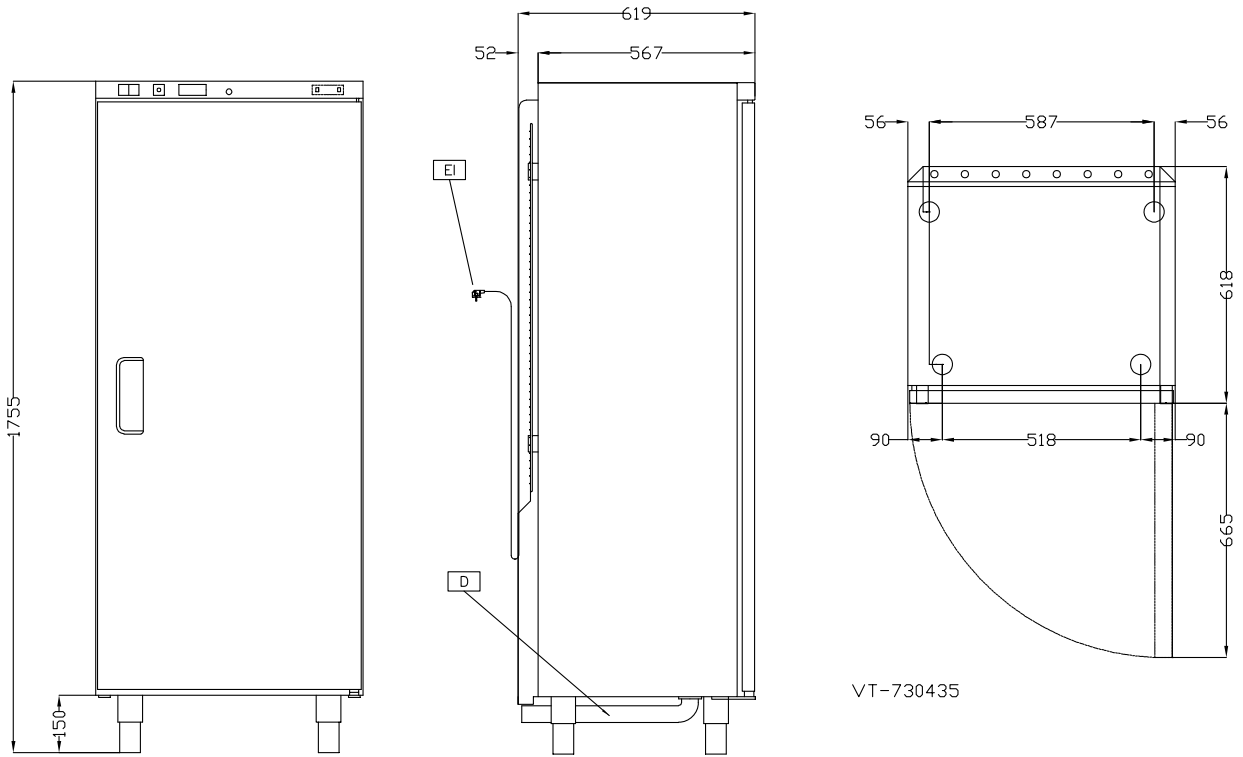
HAF010

2009-10-06

Subject to change without notice

**Electrolux 400 Lt Line
Stainless steel refrigerators & freezers**

730183



HAF010

2009-10-06

Subject to change without notice

LEGEND EI - Electrical connection	R04NVF4F 730183
	230 V, 1N, 50