

Electrolux Prostore

400 - 650 liter smart refrigerators

The Electrolux Prostore range is produced for the customer who needs refrigeration products suitable for gastronomic containers. Prostore has a highly effective cooling system with hidden evaporator that gives higher storage capacity and less corrosion problems. The product range comprises 400 and 650 litres models with full door in AISI 304 stainless steel. All the internal finishes are in stainless steel. The models detailed on this sheet are two refrigerators with capacity of 400/650 litres with smart electronic control.



691231

MATERIALS

- Internal and external in stainless steel AISI 304 (back, external galvanized).
- Runners and supports in stainless steel easily disassembled (without any tool) for more convenient cleaning.

EASY TO INSTALL

- All models require only 1 phase 220/240V supply. They can therefore be plugged straight into an existing power socket.

EASY TO USE

- Automatic evaporation of the defrosting water by hot gas on the top.
- Designed to operate at ambient temperatures up to +43 °C.
- Hidden evaporator thus

guaranteeing higher storage capacity and less corrosion problems.

- Smart electronic control gives the following opportunities:
 - Haccp incorporated :when temperature exceeds critical limits it provides with an acoustic and visual alarm. All events are recorded displaying date and time of all events.
 - Smart electronic defrost : thus guaranteeing the defrost cycle only when it is necessary because ice in the evaporator is detected by a dedicate probe.
 - Intelligence when failure : when a probe breaks it remembers its performance of last 24h and continue to work. In this way food is safe and service can be called.
 - Diagnostic : four probes

constantly control working condition of the appliances.

- Food categories : depending by food stored it can be selected appropriate temperature and humidity just pushing a button.
 - Designed as a complement to Electrolux ovens, which makes handling of guide racks with storage trolley possible (Compatible with lengthwise 20 GN 1/1 rack).
 - Self closing and reversible left/right doors (not for glass door)
 - Door microswitch to stop the fan once the door is opened.
 - Light as standard in all models.
- The glass door models are equipped with internal vertical light for a better illumination of the products.



Electrolux

**Electrolux Prostore
400 - 650 liter smart refrigerators**

- Easy access to the main components for an easy maintenance.

EASY TO MAINTAIN

- Insulation thickness:60 mm to ensure effective insulation with minimum energy consumption.
- Door handle entirely in pressed stainless steel (without plastic) without joints gathering dust and dirt.
- Inner cell with rounded corners, bottom pressed in only one piece.
- Standard equipped with outlet drain 1/2" (only on refrigerators).

- Joints between side and bottom inner panels less than 0.5 mm (according to hygienic rules) in order to avoid the deposit of dirty residual that are origin of bacterial proliferation.

EASY ON THE ENVIRONMENT

- CFC and HCFC free environmentally friendly: R134a gas in refrigeration circuit. Gas in foam: Cyclopentane.

- Low noise level - less than 57 dB (A).
- Developed and produced in ISO 9001 and ISO 14001 certified factory.

	PR04RE1F 691231	PR06RE1F 691232
TECHNICAL DATA		
Operating temperature - min/max °C	0/10	0/10
Operating mode	Ventilated	Ventilated
External material		
panels	304 AISI	304 AISI
Gross capacity (D.I.N. 8952) - l.	430	650
Cooling unit	Built-In	Built-In
Control type	Electronic	Electronic
External dimensions - mm		
width	600	900
depth/with open doors	665, 1200	665, 1500
height	2112	2112
Min/Max internal humidity - %	75/82	66/78
N° and type of door	1	1
Door hinges	Right Side	Right Side
N° and type of grids (included)	5, 530x400	5, GN 2/1
Compressor power - HP	1/5	1/4
Refrigerant type	R134a	R134a
Refrigerant quantity - g.	260	240
Refrigeration power - W	244	378
Refrigerant power		
at evaporation temperature - °C	-10	-10
Power - kW		
installed-electric	0.29	0.37
Net weight - kg.	110	125
INCLUDED ACCESSORIES		
PEDAL OPENING FOR REFRIGERATORS/FREEZERS	1	1
PLASTIC-COATED GRID 530x400	5	
PLASTIC-COATED GRID GN 2/1		5
ACCESSORIES		
1/1 GN RILSAN STEEL WIRE BASKET H=150 MM	881043	
BASE FRAME TO SUPPORT TRAY RACK	880078	
GN 1/1 PLASTIC CONTAINER+FALSE BOTTOM		880705
GN 2/1 WIRE BASKET-H-150 MM+SIDE RUNNERS		770350
GRID FOR WINE BOTTLES PROSTORE 650/1400		880167
KIT HACCP ADV.CONNECTION-REF.ELECTRONIC	880090	880090
KIT HACCP EKIS	922166	922166
PAIR OF RUNNERS FOR PROSTORE REFR.	880558	
PEDAL OPENING FOR REFRIGERATORS/FREEZERS	880172	880172
PLASTIC-COATED GRID 530x400	880307	
PLASTIC-COATED GRID GN 2/1		880306
S/S GRID GN 2/1 FOR PROSTORE		880160
STAINLESS STEEL GRID 530x400	880162	

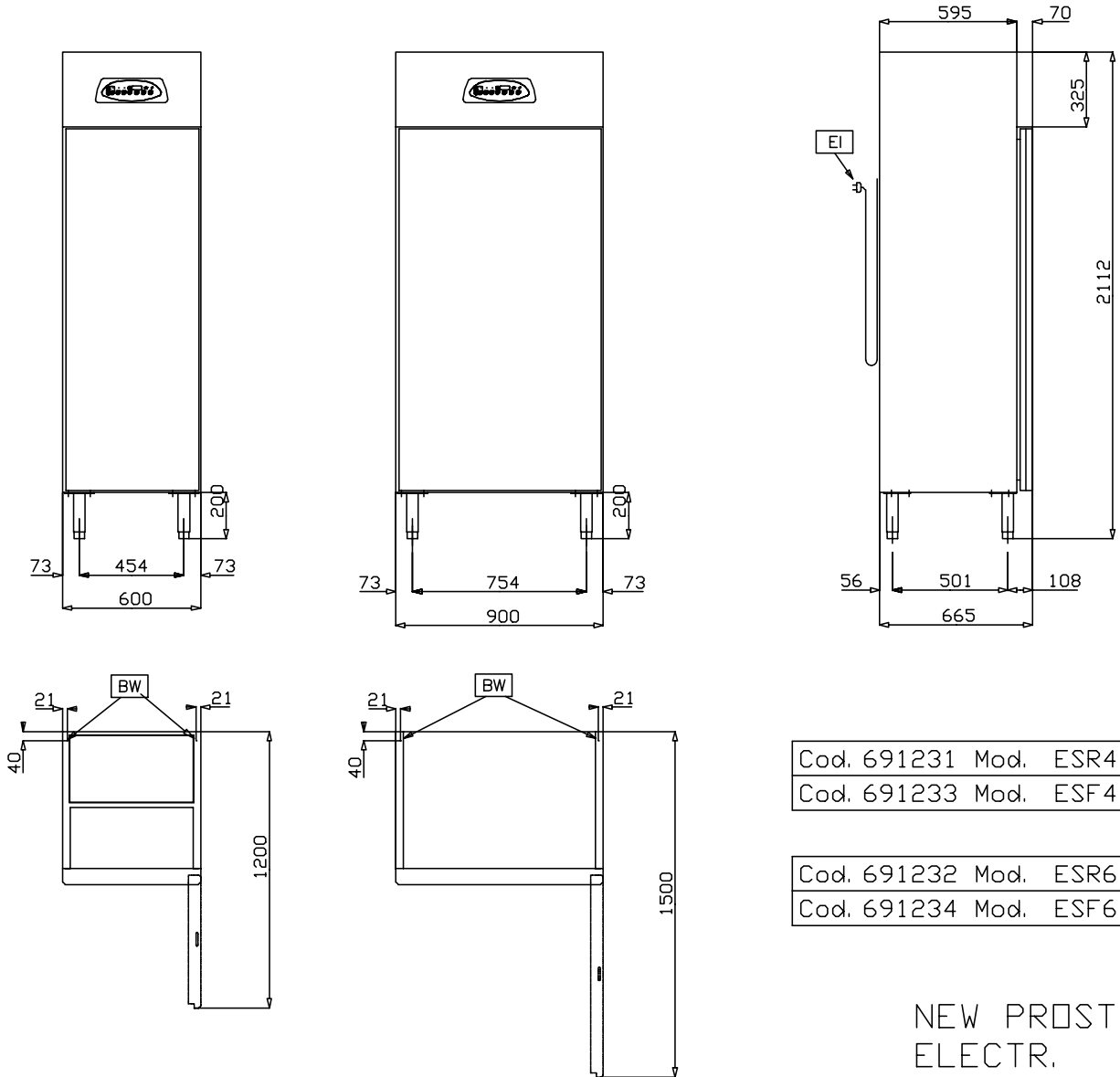
HAHA010

2009-10-06

Subject to change without notice

Electrolux Prostore
400 - 650 liter smart refrigerators

691231, 691232



Cod. 691231 Mod. ESR41F
Cod. 691233 Mod. ESF41F

Cod. 691232 Mod. ESR61F
Cod. 691234 Mod. ESF61F

NEW PROSTO
ELECTR.

HAA010

2009-10-06

Subject to change without notice

LEGEND	PR04RE1F 691231	PR06RE1F 691232
	EI - Electrical connection	230 V, 1N, 50