

650 liter digital refrigerators

The Electrolux Prostore range is produced for the customer who needs refrigeration products suitable for gastronomic containers. The product range is comprised of 600 liter models with full, half door in AISI 304 or stainless steel. All the internal finishes are in stainless steel. The Prostore detailed on this sheet are refrigerators with remote or built in refrigeration unit. Model PR06R1FBR is prearranged for brine system.



691217

MATERIALS

- Internal and external in stainless steel AISI 304 (galvanized back and exterior).
- Runners and supports in stainless steel easily disassembled (without any tool) for more convenient cleaning.

EASY TO INSTALL

- All models require only 1 phase 220/240V supply. They can therefore be plugged straight into an existing power socket.

EASY TO USE

- Automatic evaporation of the defrosting water by hot gas on the top.

- Designed to operate at ambient temperatures up to +43 °C.
- Hidden evaporator thus guaranteeing higher storage capacity and less corrosion problems.
- Simple control panel: on/off switch, digital thermometer with increasing and reduction button, high/low humidity switch, control lamps and light switch.
- Self closing and reversible left/right doors (not for glass door).
- Door microswitch to stop the fan once the door is opened.
- Light as standard in all models.
- Easy access to the main components for an easy maintenance.

EASY TO MAINTAIN

- Insulation thickness: 60 mm to ensure effective insulation with minimum energy consumption.
- Door handle entirely in pressed stainless steel (without plastic) without joints gathering dust and dirt.
- Inner cell with rounded corners, bottom pressed in only one piece.
- Joints between side and bottom inner panels less than 0.5 mm (according to hygienic rules) in order to avoid the deposit of dirty residual that are origin of bacterial proliferation.
- Standard equipped with outlet drain 1/2" (only on refrigerators).



Electrolux

**Electrolux Prostore
650 liter digital refrigerators**

EASY ON THE ENVIRONMENT

- CFC and HCFC free environmentally friendly: R134a gas in refrigeration circuit. Gas in foam: Cyclopentane.
- Low noise level - less than 57 dB (A).
- All models comply with the standards required by the main international approval bodies and are H marked.

	PR06R1F 691217	PR06R1FR 691218	PR06R1FBR 691153	PR06R2F 691219	PR06R2FR 691220
TECHNICAL DATA					
Operating temperature - min/max °C	0/10	0/10	0/10	0/10	0/10
Operating mode	Ventilated	Ventilated	Ventilated	Ventilated	Ventilated
External material					
panels	304 AISI	304 AISI	304 AISI	304 AISI	304 AISI
Gross capacity (D.I.N. 8952) - l.	650	650	650	650	650
Cooling unit	Built-In	Remote	Remote	Built-In	Remote
Control type	Digital	Digital	Digital	Digital	Digital
External dimensions - mm					
width	900	900	900	900	900
depth/with open doors	665, 1500	665, 1500	665, 1500	665, 1500	665, 1500
height	2112	2112	2112	2112	2112
Min/Max internal humidity - %	66/78	65/80	66/78 with fluid inlet temperature -8°C	66/78	75/90
N° and type of door	1	1	1	2x1/2	2x1/2
Door hinges	Right Side	Right Side	Right Side	2 Right	2 Right
N° and type of grids (included)	5, GN 2/1	5, GN 2/1	5, GN 2/1	5, GN 2/1	5, GN 2/1
Compressor power - HP	1/4			1/4	
N° defrost in 24 hrs.	4/25'	4/25'	4/25'	4/25'	3/25'
Refrigerant type	R134a	R404a	Secondary Fluid	R134a	R404a
Refrigerant quantity - g.	240			240	
Refrigeration power - W	378	416	435	378	416
Refrigerant power					
at evaporation temperature - °C	-10	-10	-10	-10	-10
Power - kW					
installed-electric	0.37	0.14	0.14	0.37	0.14
Net weight - kg.	125	115	115	128	118
INCLUDED ACCESSORIES					
PEDAL OPENING FOR REFRIGERATORS/FREEZERS	1	1		1	1
PLASTIC-COATED GRID GN 2/1	5	5	5	5	5
ACCESSORIES					
ENERGY FREE ALARM DEVICE		881089			
GN 1/1 PLASTIC CONTAINER+FALSE BOTTOM	880705				
GN 2/1 WIRE BASKET-H-150 MM+SIDE RUNNERS	770350	770350	770350	770350	
GRID FOR WINE BOTTLES PROSTORE 650/1400	880167	880167	880167	880167	880167
HACCP ADV.CONN.10 UNITS-DIG.REF.(ID9XX)	880119	880119	880119	880119	880119
HACCP ADV.CONN.80 UNITS-DIG.REF.(ID9XX)	880132	880132	880132	880132	880132
HACCP ADV.CONN.PER UNIT-DIG.REF.(ID9XX)	880133	880133	880133	880133	880133
KIT HACCP EKIS	922166	922166	922166	922166	922166
PAIR OF RUNNERS FOR PROSTORE REFR.		880558	880558	880558	880558
PEDAL OPENING FOR REFRIGERATORS/FREEZERS	880172	880172		880172	880172
PLASTIC-COATED GRID GN 2/1	880306	880306	880306	880306	880306
PRINTER FOR HACCP BASIC VERSION REFRIG.	881457	881457	881457	881457	881457
REMOTE UNIT FOR 2-3 DOOR REFRIG.TABLES		880044			880044
S/S GRID GN 2/1 FOR PROSTORE	880160	880160	880160	880160	880160

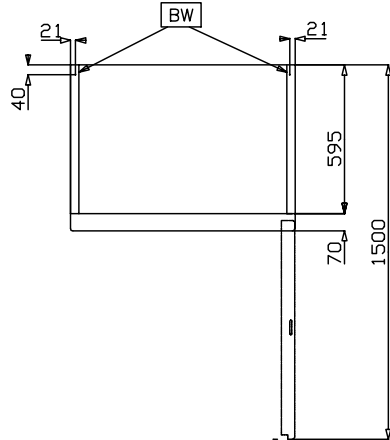
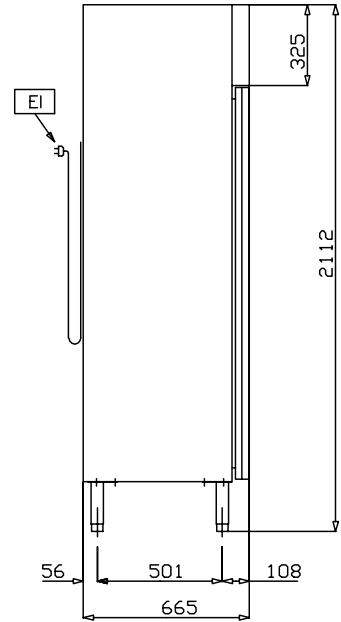
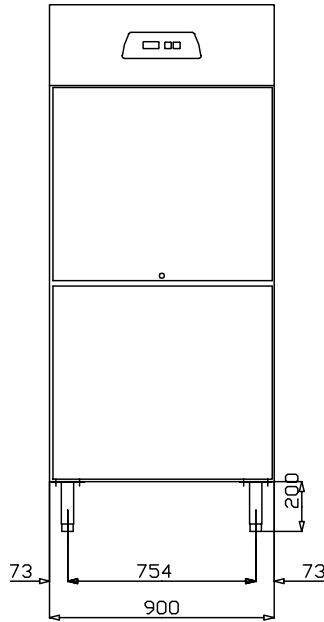
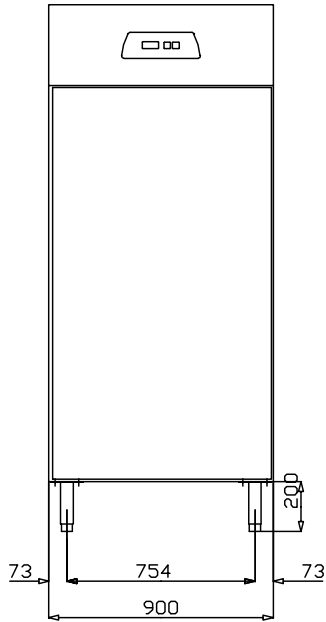
HAHC010

2009-10-06

Subject to change without notice

**Electrolux Prostore
650 liter digital refrigerators**

691217, 691219



Cod. 691217	Mod. ESF
Cod. 691219	Mod. ESF
Cod. 691223	Mod. ESF
Cod. 691225	Mod. ESF

NEW PROSTOR
900mm

HAHC010

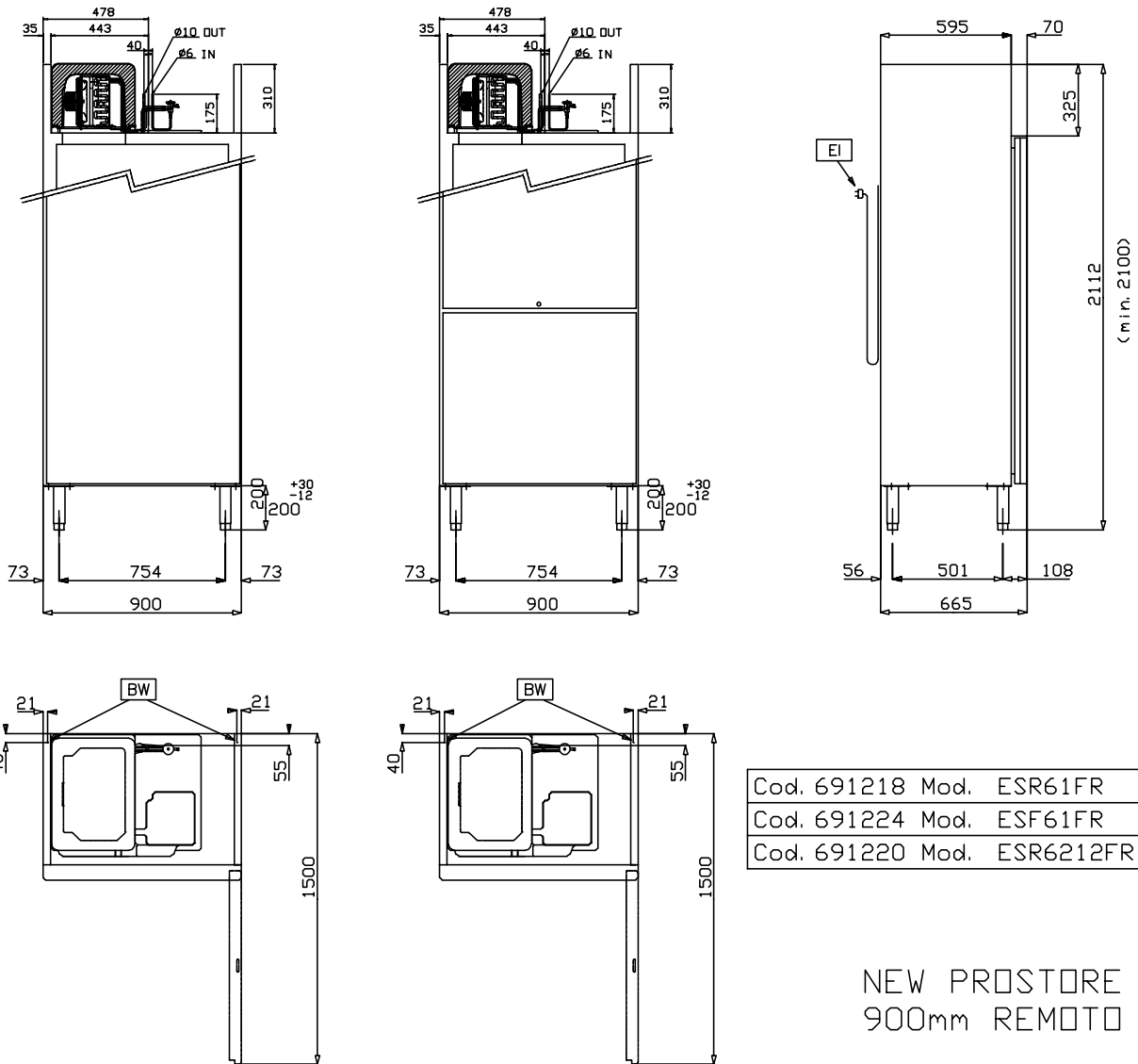
2009-10-06

Subject to change without notice

LEGEND	PR06R1F 691217	PR06R2F 691219
	EI - Electrical connection	230 V, 1N, 50

**Electrolux Prostore
650 liter digital refrigerators**

691218, 691220



HAHC010

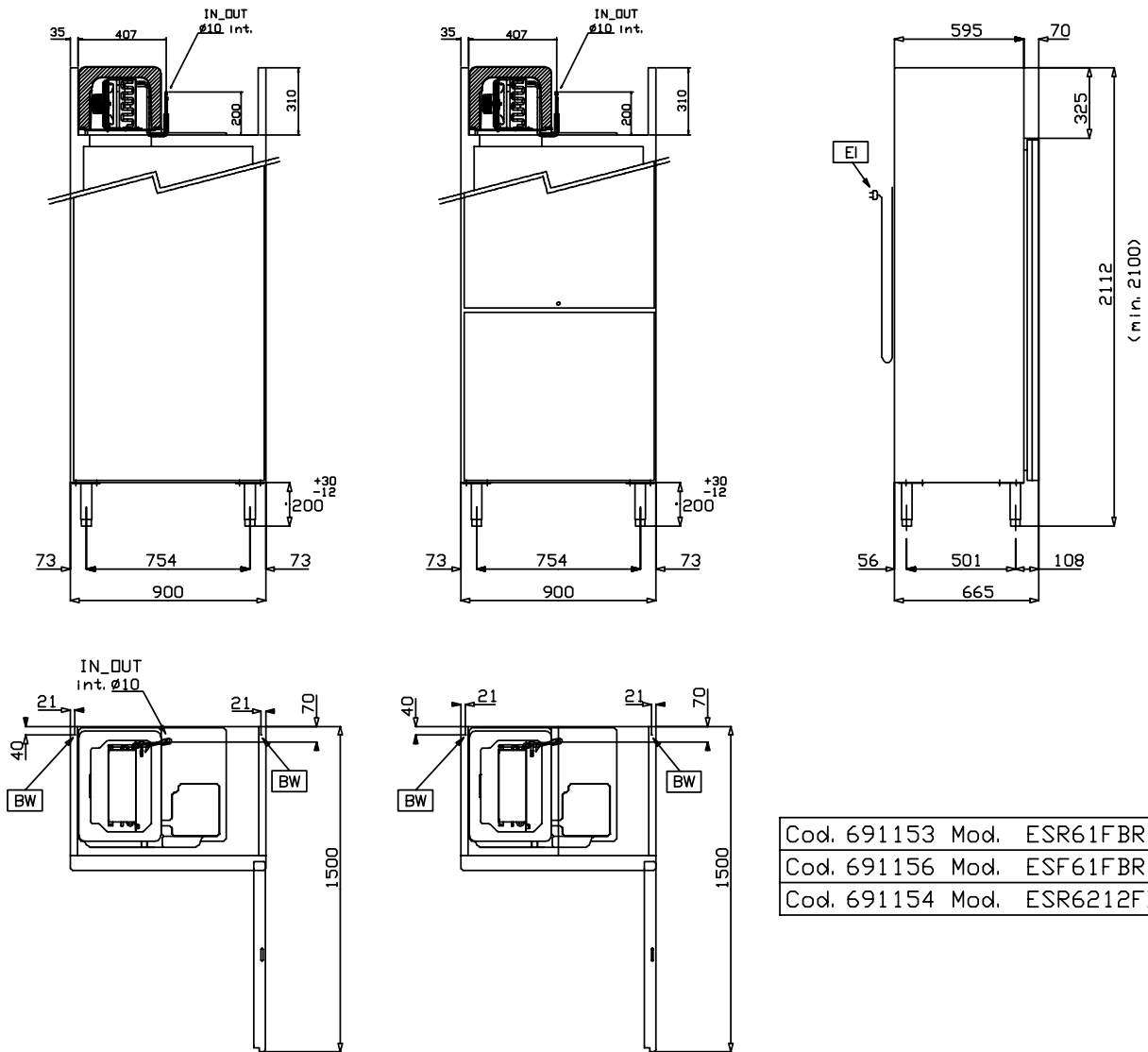
2009-10-06

Subject to change without notice

LEGEND	PR06R1FR 691218	PR06R2FR 691220
	EI - Electrical connection	230 V, 1N, 50
RI - Remote refrigeration connection	●	●

**Electrolux Prostore
650 liter digital refrigerators**

691153



Cod. 691153 Mod.	ESR61FBR
Cod. 691156 Mod.	ESF61FBR
Cod. 691154 Mod.	ESR6212FBR

HAHC010

2009-10-06

Subject to change without notice

LEGEND EI - Electrical connection RI - Remote refrigeration connection	PR06R1FBR 691153
	230 V, 1N, 50
	●