

400 liter digital refrigerators

The Electrolux Prostore range is produced for the customer who needs refrigeration products suitable for gastronomic containers. The product range comprises of 400 liter models with full glass door either in 304 AISI or stainless steel. All the internal finishes are in stainless steel. The Prostore 400 liter models detailed on this sheet are refrigerators with remote and built in refrigerating unit. Models PR04R1G and PR04R1GR have a glass door, model PR04R1FBR is pre arranged for brine system.



691212

MATERIALS

- Internal and external in stainless steel AISI 304 (galvanized back and exterior).
- Runners and supports in stainless steel easily disassembled (without any tool) for more convenient cleaning.

EASY TO INSTALL

- All models require only 1 phase 220/240V supply. They can therefore be plugged straight into an existing power socket.

EASY TO USE

- Automatic evaporation of the defrosting water by hot gas on the top.
- Hidden evaporator thus guaranteeing higher storage capacity and less corrosion

problems.

- Simple control panel: on/off switch, digital thermometer with increasing and reduction button, high/low humidity switch, control lamps and light switch .
 - Designed as a complement to Electrolux ovens, which makes handling of guide racks with storage trolley possible (Compatible with lengthwise 20 GN 1/1 rack).
 - Self closing and reversible left/right doors (not for glass door)
 - Door microswitch to stop the fan once the door is opened.
 - light as standard in all models.
- The glass door models are equipped with internal vertical light for a better illumination of the products.
- Easy access to the main

components for an easy maintenance.

EASY TO MAINTAIN

- Insulation thickness: 60 mm to ensure effective insulation with minimum energy consumption.
- Door handle entirely in pressed stainless steel (without plastic) without joints gathering dust and dirt.
- Inner cell with rounded corners, bottom pressed in only one piece.
- Standard equipped with outlet drain 1/2 " (only refrigerators).
- Joints between side and bottom inner panels less than 0.5 mm (according to hygienic rules) in order to avoid the deposit of dirty residual that are origin of bacterial proliferation.



Electrolux

**Electrolux Prostore
400 liter digital refrigerators**

EASY ON THE ENVIRONMENT

- CFC and HCFC free environmentally friendly: R134a gas in refrigeration circuit. Gas in foam: Cyclopentane.
- Low noise level - less than 57 dB (A).
- Developed and produced in ISO 9001 and ISO 14001 certified factory.
- All models comply with the standards required by the main international approval bodies and are H marked.

	PR04R1F 691212	PR04R1FR 691213	PR04R1FBR 691123	PR04R2F 691214	PR04R1G 691215	PR04R1GR 691216
TECHNICAL DATA						
Operating temperature - min/max °C	0/10	0/10	0/10	0/10	0/10	0/10
Operating mode	Ventilated	Ventilated	Ventilated	Ventilated	Ventilated	Ventilated
External material panels	304 AISI	304 AISI	304 AISI	304 AISI	304 AISI	304 AISI
Gross capacity (D.I.N. 8952) - l.	430	430	430	430	430	430
Cooling unit	Built-In	Remote	Remote	Built-In	Built-In	Remote
Control type	Digital	Digital	Digital	Digital	Digital	Digital
External dimensions - mm						
width	600	600	600	600	600	600
depth/with open doors	665, 1200	665, 1200	665, 1200	665, 1200	665, 1200	665, 1200
height	2112	2112	2112	2112	2112	2112
height adjustment	12, 30			12, 30	-12, 30	
Min/Max internal humidity - %	75/82	65/80	75/82 with fluid inlet temperature -8°C	75/82	72	65/80
N° and type of door	1	1	1	2x1/2	1	1
Door hinges	Right Side	Right Side	Right Side	2 Right	Right Side	Right Side
N° and type of grids (included)	5, 530x400	5, 530x400	5, 530x400	5, 530x400	5, 530x400	5, 530x400
Compressor power - HP	1/5			1/5	1/5	
N° defrost in 24 hrs.	4/25'	4/25'	4/25'	3/25'	4/25'	4/25'
Refrigerant type	R134a	R404a	Secondary Fluid	R134a	R134a	R404a
Refrigerant quantity - g.	260			260	260	
Refrigeration power - W	244	269	260	244	244	269
Refrigerant power at evaporation temperature - °C	-10	-10		-10	-10	-10
Power - kW						
installed-electric	0.29	0.14	0.14	0.29	0.29	0.176
Net weight - kg.	110	100	100	112	115	105
INCLUDED ACCESSORIES						
PEDAL OPENING FOR REFRIGERATORS/FREEZERS	1	1		1	1	1
PLASTIC-COATED GRID 530x400	5	5	5	5	5	5
ACCESSORIES						
1/1 GN RILSAN STEEL WIRE BASKET H=150 MM	881043	881043		881043	881043	881043
BASE FRAME TO SUPPORT TRAY RACK	880078	880078	880078		880078	880078
HACCP ADV.CONN.10 UNITS-DIG.REF.(ID9XX)	880119	880119	880119	880119	880119	880119
HACCP ADV.CONN.80 UNITS-DIG.REF.(ID9XX)	880132	880132	880132	880132	880132	880132
HACCP ADV.CONN.PER UNIT-DIG.REF.(ID9XX)	880133	880133	880133	880133	880133	880133
KIT HACCP EKIS	922166	922166	922166	922166	922166	922166
PAIR OF RUNNERS FOR PROSTORE REFR.	880558	880558	880558	880558	880558	880558
PEDAL OPENING FOR REFRIGERATORS/FREEZERS	880172	880172		880172	880172	880172
PLASTIC-COATED GRID 530x400	880307	880307	880307	880307	880307	880307
PRINTER FOR HACCP BASIC VERSION REFRIG.	881457	881457	881457	881457	881457	881457
STAINLESS STEEL GRID 530x400	880162	880162	880162	880162	880162	880162

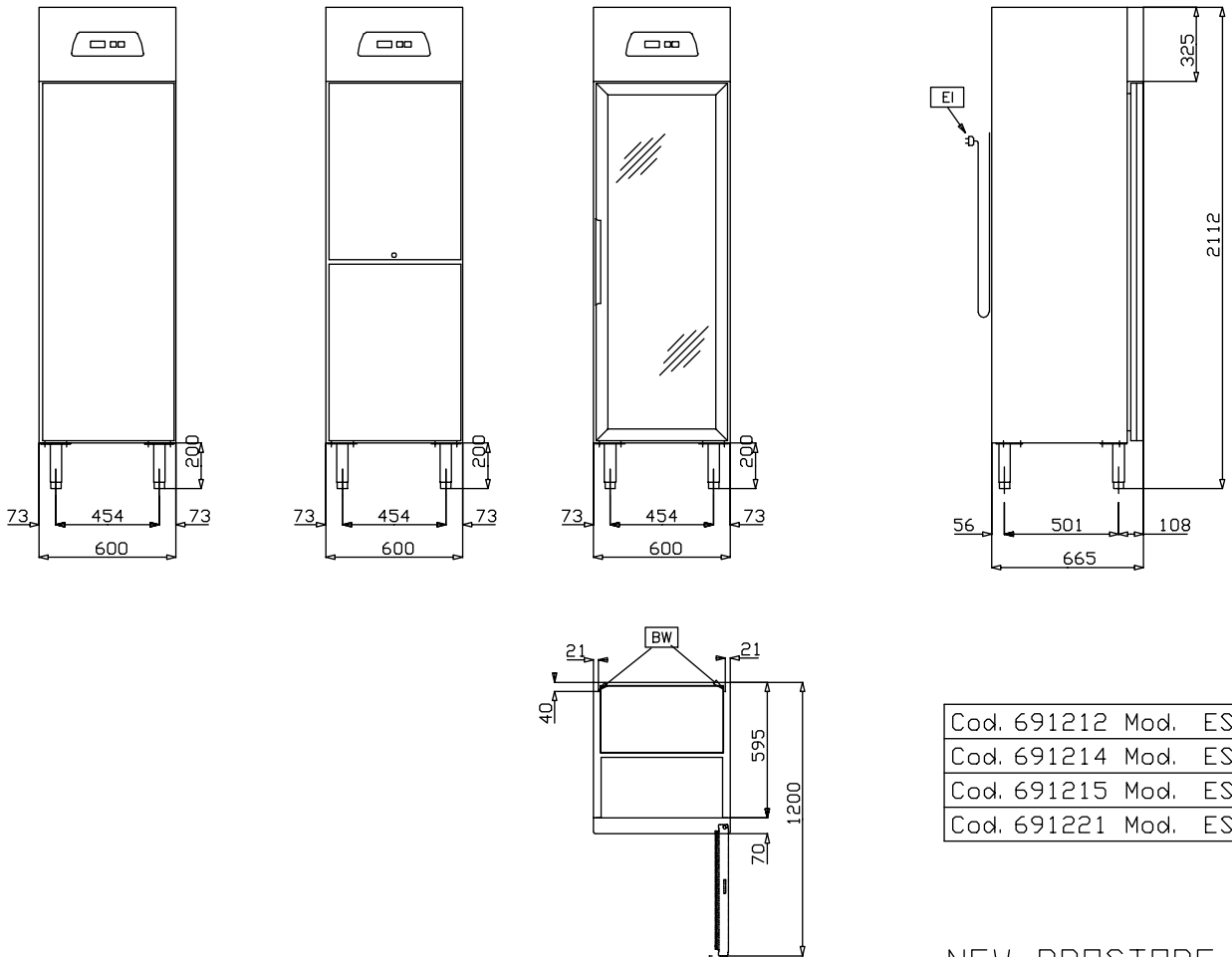
HAHB010

2009-10-06

Subject to change without notice

**Electrolux Prostore
400 liter digital refrigerators**

691212, 691215, 691214



Cod. 691212 Mod. ESR
Cod. 691214 Mod. ESR
Cod. 691215 Mod. ESR
Cod. 691221 Mod. ESF

NEW PROSTORE

HAHB010

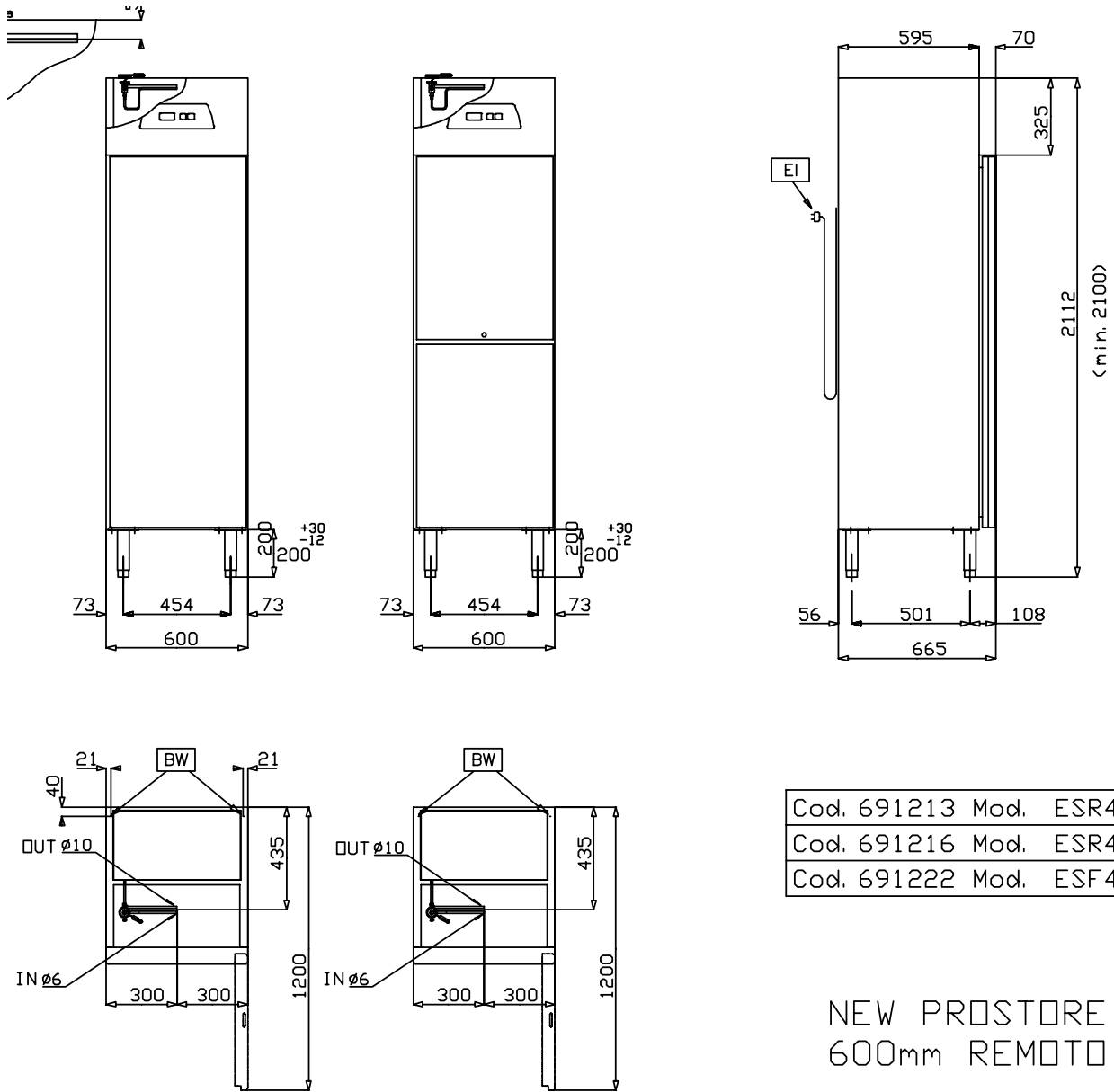
2009-10-06

Subject to change without notice

LEGEND	PR04R1F 691212	PR04R2F 691214	PR04R1G 691215
EI - Electrical connection	230 V, 1N, 50	230 V, 1N, 50	230 V, 1N, 50

Electrolux Prostore
400 liter digital refrigerators

691213, 691216



Cod. 691213	Mod. ESR41
Cod. 691216	Mod. ESR41
Cod. 691222	Mod. ESF41

NEW PROSTORE
600mm REMOTO

HAHB010

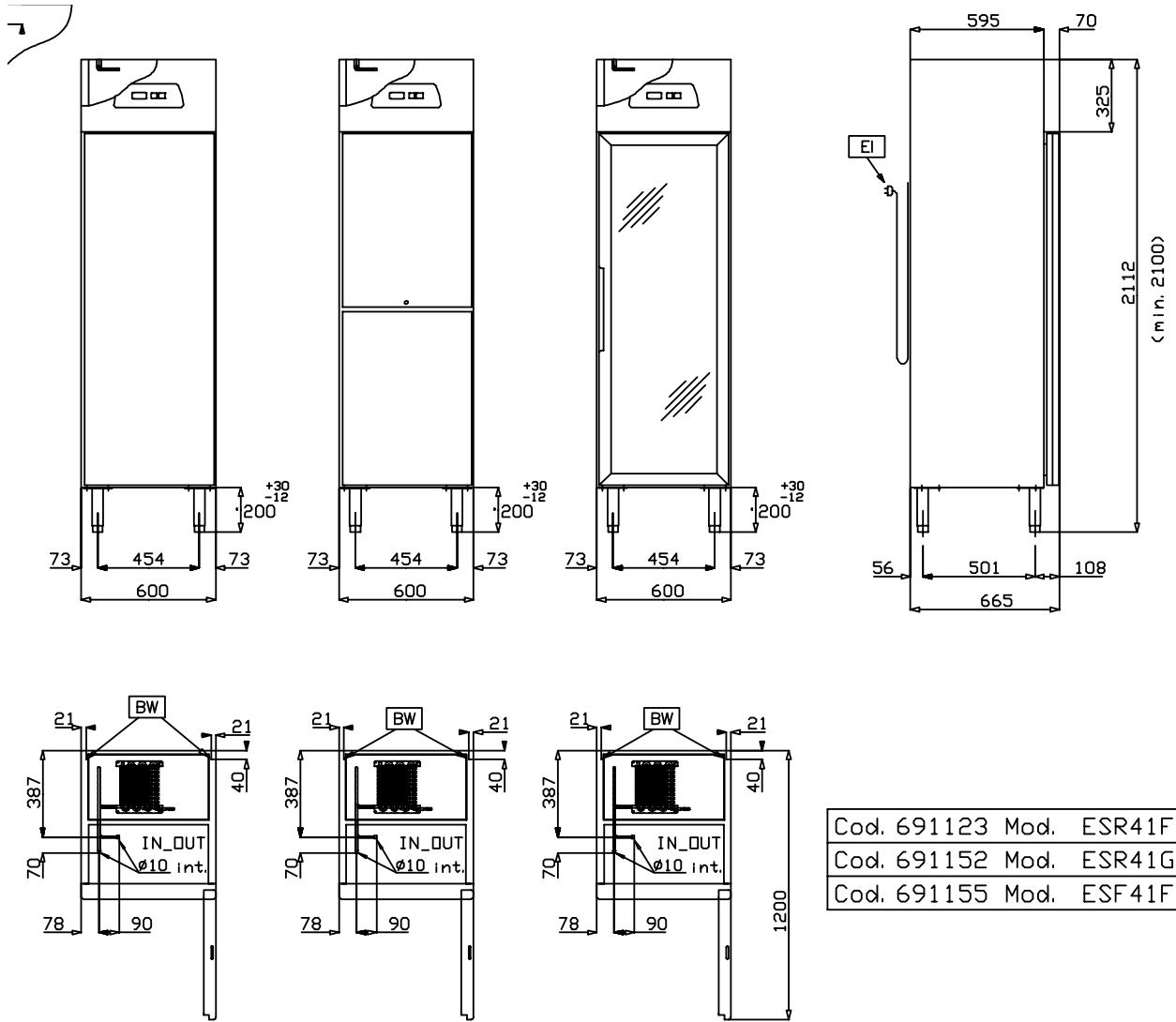
2009-10-06

LEGEND	PR04R1FR 691213	PR04R1GR 691216
	EI - Electrical connection	230 V, 1N, 50
RI - Remote refrigeration connection	●	●

Subject to change without notice

**Electrolux Prostore
400 liter digital refrigerators**

691123



HAHB010

2009-10-06

Subject to change without notice

LEGEND EI - Electrical connection RI - Remote refrigeration connection	PR04R1FBR 691123
	230 V, 1N, 50
	●