

French Door Refrigerator

E23BC78ISS designer series



Custom Temp Drawer™

Features 9 preset selections including White/Sparkling Wine, Fish/Shellfish, Snacks and Chilled Beer, plus three customizable 'My Favorites', giving you an array of choices to store or serve whatever you want at the ideal temperature.



Custom-Design™ Organization System

Our tri-level freezer organization system features three Smooth-Glide™ baskets with removable dividers and top removable baskets, so you can keep food organized and easily at hand.



Twice the Ice

You get filtered, restaurant-quality ice featuring a new drink-friendly shape, twice the ice as any refrigerator ice maker¹ — up to 9 pounds in 24 hours.



PureAdvantage® Filtration Systems

Our filtration system keeps clean, filtered air circulated throughout to prevent odor transfer and keeps fresh, clean water and ice at your fingertips.

Replacement Water Filter – PN# EWF01
Replacement Air Filter – PN# EAF0CB

23 CU. FT. COUNTER-DEPTH FRENCH DOOR REFRIGERATOR

CAPACITIES

Total Capacity	22.6 Cu. Ft.
Fresh Food Volume	15.7 Cu. Ft.
Freezer Volume	6.9 Cu. Ft.
Total Shelf Area	26.45 Sq. Ft.
Fresh Food Shelf Area	18.72 Sq. Ft.
Freezer Shelf Area	7.7 Sq. Ft.

EXTERIOR

Designer Doors and Handle Design	Yes
Wave-Touch™ Electronic Controls	Yes
Door Hinge Covers	Yes
Ice/Water Dispenser	Yes
Custom-Set™ Temperature Control System and Display	Yes
Crushed/Cubes/Water	Yes
Air and Water Filter Indicator/Reset	Yes
Ice Maker On/Off	Yes
Fast Freeze™	Yes
Lock	Yes
Dispenser Light Control	Yes

FRESH FOOD CONVENIENCES

PureAdvantage® Water & Ice / Air Filtration	Yes
Water Filter Location	Bottom Left
Temp Alarm System / Door Ajar Alarm / Power Failure Alarm	Yes
Custom-Design™ Glass Shelves	3 Half Width 1 Quarter Width
Smooth-Glide™ Humidity-Controlled Left Crisper	Yes
Smooth-Glide™ Humidity-Controlled Right Crisper	Yes
Custom Temp Drawer™	Yes
Wine Rack	Yes
Clear Gallon Adjustable Door Bins	1
Clear 1/2-Gallon Adjustable Door Bins	1
Clear 2-Liter/1/2-Gallon Removable Door Bins	2
Locking Clear Utility Bin	Yes
Tilt-Out Can Racks	2
Theatre Ramp-Up Multilevel Lighting – LED	Yes
Automatic Ice Maker	Yes

FREEZER CONVENIENCES

Self-Closing Drawer	Yes
Sliding Full-Width Freezer Baskets	3 Smooth-Glide™ (2 with Dividers)
Plastic Basket Tray	1
Tilt-Out Wire Door Racks	1
Theatre Ramp-Up Multilevel Lighting – LED	Yes

ADDITIONAL FEATURES

ENERGY STAR®	Yes
Sabbath Mode (Star-K® Certified)	Yes

SPECIFICATIONS

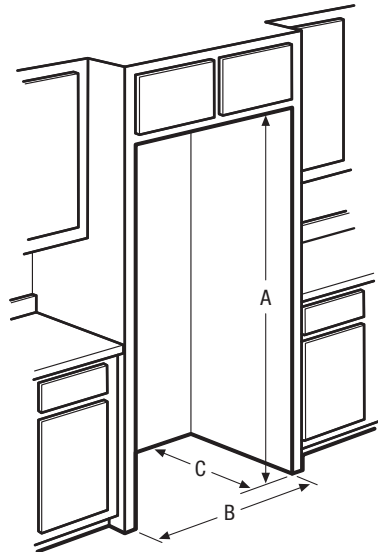
Overall Exterior Dimensions –	
Height (with Hinges and 3/8" Rollers)	69-1/2"
Width	35-5/8"
Depth (Including Handle)	29-1/2"
(with 90° Doors Open)	42-9/16"
(with Drawer Fully Extended)	44-1/2"
Power Supply Connection Location	Right Bottom Rear
Water Inlet Location	Left Bottom Rear
Voltage Rating	120V/60Hz/15 or 20A
Connected Load (kW Rating) @ 120 Volts‡	1.02
Minimum Circuit Required (Amps)	15
Shipping Weight (Approx.)	338 Lbs.

‡An electrical supply with grounded three-prong receptacle is required. The power supply circuit must be installed in accordance with current edition of National Electrical Code (NFPA 70) and local codes & ordinances.

¹Under normal conditions – 0°F freezer, 37°F fresh food and based on bottom freezer models with exterior ice and water and a suggested MSRP greater than \$2700.

NOTE: Always consult local and national electric and plumbing codes. Refer to Product Installation Guide for detailed installation instructions on the web at electroluxicon.com.

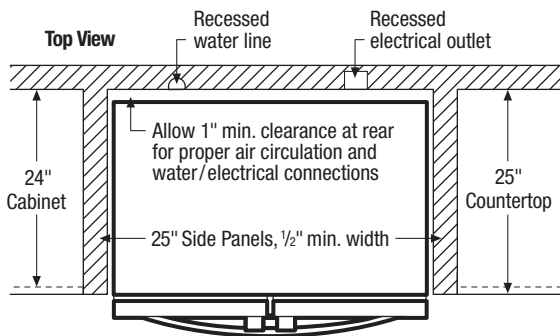
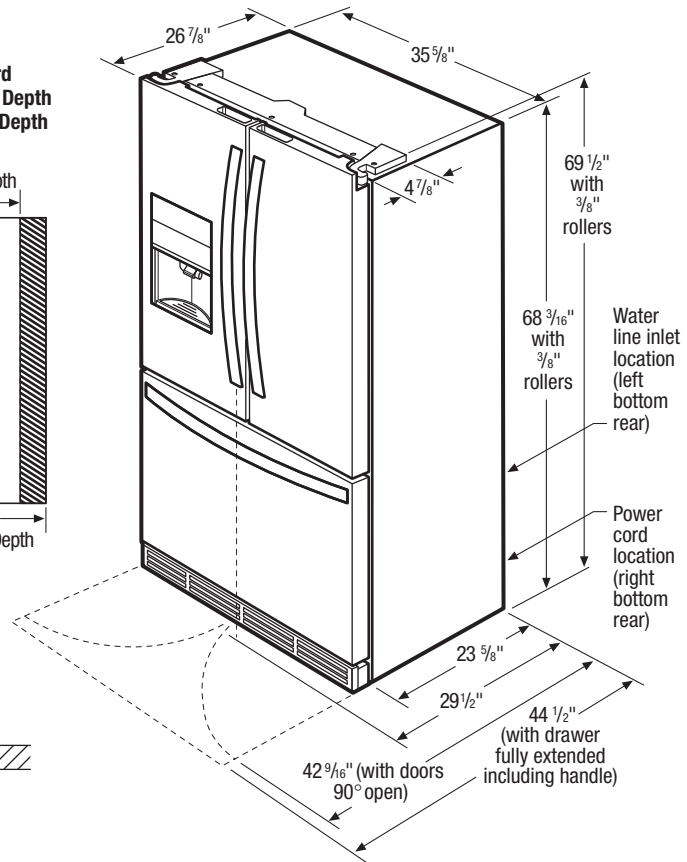
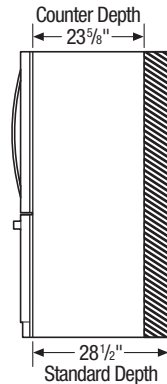
Specifications subject to change.



"Built-In Look" Cutout Dimensions

(A) 70 1/4" (B) 36" (C) 25"

Standard Refrigerator Depth vs. Counter Depth



Counter-Depth French Door Refrigerator Specifications

- Product Weight – 345 Lbs.
- An electrical supply with grounded three-prong receptacle is required. The power supply circuit must be installed in accordance with current edition of National Electrical Code (NFPA 70) and local codes & ordinances.
- Voltage Rating – 120V/60Hz/15 or 20 Amps
- Connected Load (kW Rating) @ 120 Volts = 1.02kW
- Amps @ 120 Volts = 8.5 Amps
- Always consult local and national electric & plumbing codes.
- Floor should be level surface of hard material, capable of supporting fully loaded refrigerator.
- When installing refrigerator adjacent to wall, cabinet or other appliance that extends beyond front edge of unit, 20" minimum clearance recommended to allow for optimum 120° to 180° door swing, providing complete drawer/crisper access and removal. (*Absolute 4-1/2" minimum clearance will ONLY allow for 90° door swing which will provide drawer/crisper access with restricted removal.*)
- To ensure optimum performance, avoid installing in direct sunlight or close proximity to range, dishwasher or other heat source.

- For proper ventilation, front grille MUST remain unobstructed.
- Recess electrical outlet when possible.
- Water recess on rear wall recommended to prevent water line damage.
- Water Pressure – Cold water line must provide between 30 and 100 pounds per square inch (psi).
- Copper tubing with 1/4" O.D. recommended for water supply line with length equal to distance from rear of unit to household water supply line plus 7 additional feet. Optional Water Supply Installation Kits available.
- Adjustable front rollers to assist with door alignment.

"Built-In Look" Specifications

- Minimum opening of 70-1/4" H x 36" W x 25" D required to allow for ease of installation, proper air circulation, and plumbing/electrical connections.
- Remove all wall/floor molding prior to installation.

Note: For planning purposes only. Refer to Product Installation Guide on the web at electroluxicon.com for detailed instructions.

Electrolux Major Appliances, N.A.

USA • 250 Bobby Jones Expressway • Augusta, GA 30907 • 1-877-4electrolux (1-877-435-3287) • electroluxicon.com
 CANADA • 5855 Terry Fox Way • Mississauga, ON L5V 3E4 • 1-800-265-8352 • electroluxicon.ca

