

Electrolux HD-Line

Dual refrigerators 1400 lt digital

The Electrolux HD-Line offers one of the most comprehensive choices of refrigerated storage cabinets available. Manufactured internally and externally in 304 AISI stainless steel, operating over refrigeration or freezer temperature ranges, with solid or glass doors, and in a choice of either 650 litres or 1400 litres capacity. The 2 dual refrigerator models detailed on this leaflet have a capacity of 1400 litres.



728430

EASY TO INSTALL

- Mounted on adjustable stainless steel feet, with castors as an option.
- Choice of doors to suit varying kitchen requirements.
- Refrigeration operating temperatures that can be adjusted from -2 °C to +10 °C and -6 °C to +6 °C to suit both meat and dairy storage requirements.
- Suitable for ambient temperatures up to +43 °C.

EASY TO CLEAN

- Constructed from the highest quality AISI 304 stainless steel with radiused corners to the interior base which is pressed from a single sheet.
- Sides and back are formed from just 2 sheets of stainless steel with

- a single joint to avoid dirt traps.
- Evaporator unit is inset into the top of the refrigerated chamber to provide an obstruction free interior.

EASY TO USE

- Forced air circulation for rapid cool down and even temperature uniformity.
- Accommodates GN 2/1 containers or shelves on anti-tilt runners.
- External digital temperature display.
- Interior light and lockable door.
- Refrigerators feature automatic defrost and are fitted with a defrost outlet pipe.

EASY TO MAINTAIN

- Heavy-duty construction that avoids use of any plastic parts.

- Single refrigeration unit (compressor, condenser and evaporator) that can be removed in a single piece from either the top or back.
- Evaporator cover is easily removable for maintenance.

EASY ON THE ENVIRONMENT

- 20% reduction in energy consumption compared to previous models.
- Cabinet fitted with up to 75 mm thickness of cyclopentane insulation for best insulating performance with 100% environmental.
- Refrigerant type: R134a.
- All models comply with the standards required by the main international approval bodies and are H marked.



Electrolux

**Electrolux HD-Line
Dual refrigerators 1400 lt digital**

	RH14DD2F 728428	RH14DD3F 728430
TECHNICAL DATA		
Operating temperature - min/max °C	-2/10	-2/10
Operating mode	Ventilated	Ventilated
External material		
panels	304 AISI	304 AISI
Gross capacity (D.I.N. 8952) - l.	640, 640	970, 330
Cooling unit	Built-In	Built-In
Control type	Digital	Digital
External dimensions - mm		
width	1500	1500
depth/with open doors	810, 1463	810, 1463
height	2050	2050
Min/Max internal humidity - %	75/90; 75/90	75/90; 80/85
N° and type of door	2	1-2x1/2
Door hinges	1 Left+1 Right	1 Left+2 Right
N° and type of grids (included)	8, GN 2/1	5, GN 2/1
N° and type of basins		4, GN 1/1
Compressor power - HP	1/4	3/8
N° defrost in 24 hrs.	4/20'	4/20'
Refrigerant type	R134a	R134a
Refrigerant quantity - g.	240, 240	240, 260
Refrigeration power - W	378	500
Refrigerant power		
at evaporation temperature - °C	-10	-12
Power - kW		
installed-electric	0.75	0.835
Net weight - kg.	283	285
INCLUDED ACCESSORIES		
2 S/S RUNNERS FOR 600-650/1300-1400L.REF	8	7
2/1 GN GREY "RILSAN" GRID	8	5
GN 1/1 PLASTIC CONTAINER+FALSE BOTTOM		4
ACCESSORIES		
1/1 GN RILSAN STEEL WIRE BASKET H=150 MM	881043	881043
2 S/S RUNNERS FOR 600-650/1300-1400L.REF	881456	881456
2/1 GN AISI 304 S/S GRID	881067	881067
2/1 GN CHROME BASKET+2 RUNNERS H200	881468	881468
2/1 GN GREY "RILSAN" GRID	880720	880720
2/1 GN GREY RILSAN GRID W/ 2 RUNNERS	881454	881454
2/1 GN PVC CONTAINER W/LID AND 2 RUNNERS	881462	881462
3 GREY RILSAN CENTRAL GRIDS FOR 1400 L	881452	881452
4 SWIVELLING WHEELS (2 W/ BRAKE)	880178	880178
GN 1/1 PLASTIC CONTAINER+FALSE BOTTOM	880705	880705
GN 2/1 WIRE BASKET-H-150 MM+SIDE RUNNERS	881467	881467
HACCP ADV.CONN.10 UNITS-DIG.REF.(ID9XX)	880119	880119
HACCP ADV.CONN.80 UNITS-DIG.REF.(ID9XX)	880132	880132
HACCP ADV.CONN.PER UNIT-DIG.REF.(ID9XX)	880133	880133
KIT HACCP EKIS	922166	922166
KIT PLINTH TO INSTALL HD REF. 1200/1400	880207	880207
KIT TO FIT 11 PASTRY TRAYS (400X600 MM)	881031	
MEAT RAIL FOR 650-1400 L REFRIGERATORS	881451	881451
PEDAL OPENING FOR 1200/1400 L REFRIGER.	881459	881459
PERFORATED SHELF GN 2/1	881042	881042
PRINTER FOR HACCP BASIC VERSION REFRIG.	881457	881457
SET OF 8-1/1 GN PVC CONTAINERS FOR FISH	881461	881461

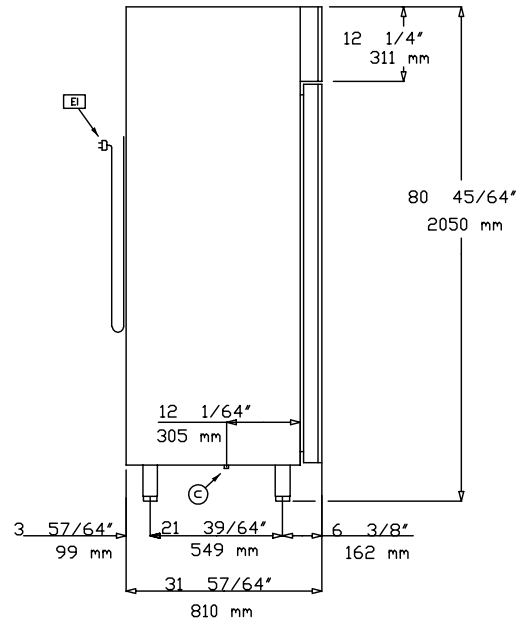
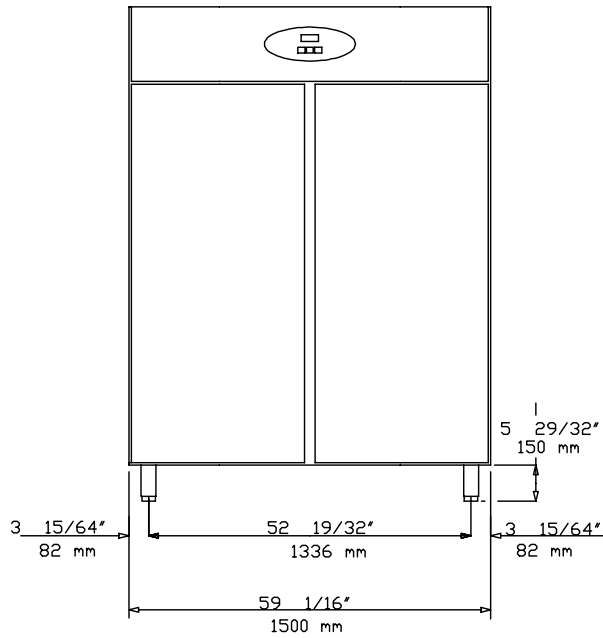
HAB070

2009-10-06

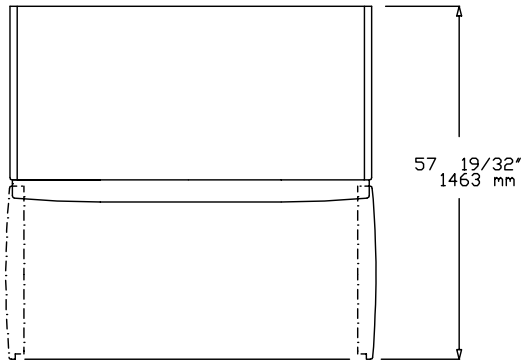
Subject to change without notice

**Electrolux HD-Line
Dual refrigerators 1400 lt digital**

728428



589729000



LEGEND	RH14DD2F
	728428
	1/2"
D - Water drain	230 V, 1N, 50
EI - Electrical connection	

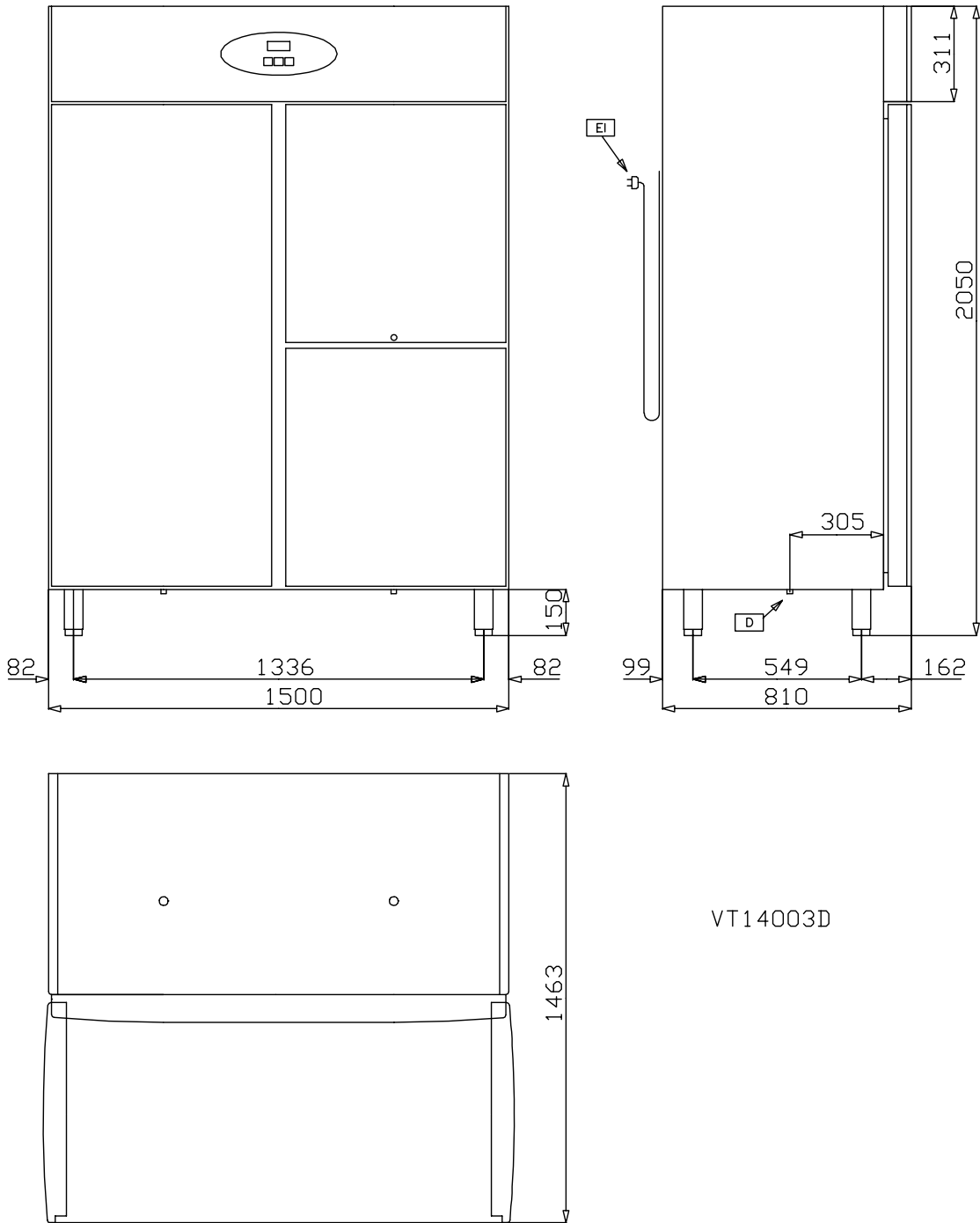
HAB070

2009-10-06

Subject to change without notice

Electrolux HD-Line
Dual refrigerators 1400 lt digital

728430



VT14003D

LEGEND	RH14DD3F
	728430
	1/2"
D - Water drain	230 V, 1N, 50
EI - Electrical connection	

HAB070

2009-10-06

Subject to change without notice