

## Refrigerators - 2 compartments

Electrolux Professional have designed and produced a complete range of refrigerated tables, that combines the dual function of worktop and refrigerated table. This versatility allows notable savings in space whilst offering functional and modular solutions to kitchen requirements.



728259

- Remote refrigeration unit.
- 150mm height-adjustable feet.
- Internal and external doors, front and side panels and worktop in 304 AISI stainless steel.
- Rounded internal corners for ease of cleaning.
- Refrigerated compartment designed to accommodate GN 1/1 containers.
- Digital control panel.

- Suitable to operate in ambient temperatures up to +43°C. Temperature range: -2/+10 °C.
- Forced air circulation for rapid cooling and an even temperature distribution.
- Drain outlet and automatic evaporation of defrost water.
- Access to all components from the front.

- In compliance with H requirements.
- C.F.C. and H.C.F.C. free.
- High-density expanded polyurethane foam 50 mm in thickness with cyclopentane injection.
- Developed and produced in ISO 9001 and ISO 14001 certified factory.



**Electrolux**

**Electrolux concept counters - Remote  
Refrigerators - 2 compartments**

	<b>HB2PR 728247</b>	<b>HB1P2CR 728248</b>	<b>HB1P3CR 728254</b>	<b>HB4CR 728259</b>	<b>HB2PNTR 727108</b>
<b>TECHNICAL DATA</b>					
Operating temperature - min/max °C	-2/10	-2/10	-2/10	-2/10	-2/10
Operating mode	Ventilated	Ventilated	Ventilated	Ventilated	Ventilated
Gross capacity (D.I.N. 8952) - l.	265	265	265	265	265
Cooling unit	Remote	Remote	Remote	Remote	Remote
External dimensions - mm					
width	1108	1108	1108	1108	1108
depth/with open doors	700, 1102	700, 1102	700, 1102	700, 1102	700, 1098
height	850	850	850	850	800
Internal dimensions - mm					
width	543.5				
depth	580	580	580	580	580
height	543	543	543	543	543
Worktop type	Stainless Steel	Stainless Steel	Stainless Steel	Stainless Steel	none
No worktop					●
Min/Max internal humidity - %	50	50	50	50	50
N° of drawers		2x1/2	3x1/3	4x1/2	
N° and type of door	2	1	1		2
Door hinges	1 Left+1 Right	Right Side	Right Side		1 Left+1 Right
N° defrost in 24 hrs.	4/30	4/30	4/30	4/30	4/30
Refrigerant type	R404a	R404a	R404a	R404a	R404a
Refrigerant power					
at evaporation temperature - °C	-23		-23	-23	-23
Power - kW					
installed-electric	0.015	0.015	0.015	0.009	0.09
Net weight - kg.	107	114	119	122	107
Power supply - V, phases, Hz	230 V, 1N, 50	230 V, 1N, 50	230 V, 1N, 50	230 V, 1N, 50	230 V, 1N, 50
<b>INCLUDED ACCESSORIES</b>					
1/1 GN GREY "RILSAN" GRID	2	1	1		2
<b>ACCESSORIES</b>					
2x½ DRAWER KIT FOR REFRIGERATED TABLES	880118	880118	880118		880118
3x1/3 DRAWER KIT FOR REFRIGERATED TABLES	880115	880115	880115	880115	880115
AUTOMATIC DEFROST WITH WASTE EVAPORATION	880028	880028	880028	880028	880028
DRAWER KIT -1/3+2/3 (BOTTLES)-REF.TABLES	880126	880126	880126	880126	880126
KIT 2 S/S GRIDS GN1/1 FOR REFRIG.TABLES	880139	880139	880139		880139
KIT 4 WHEELS (2 W/BRAKE)+4 (40MM)SPACERS	880025	880025	880025	880025	880025
KIT DOOR REVERSIBILITY FOR REF.TABLES	880046	880046	880046	880046	880046
KIT HACCP EKIS	922166	922166	922166	922166	922166
KIT INTEGRATED HACCP-DIG. REFR. (IR33)	880205	880205	880205	880205	880205
LOCK KIT FOR REFRIGERATED TABLES	880130	880130	880130	880130	880130
PRINTER FOR HACCP BASIC VERSION REFRIG.	881457	881457	881457	881457	881457
REMOTE UNIT FOR 2-3 DOOR REFRIG.TABLES	880044	880044	880044	880044	880044
S/S STRUCTURE TO SUPPORT 6 GRIDS (R+L)	880140	880140	880140		880140
WORKTOP FOR 2 DOOR REFRIG.TABLES-REMOTE					880195
WORKTOP+UPSTAND F. 2 DOOR REF.TABLE-REM					880117

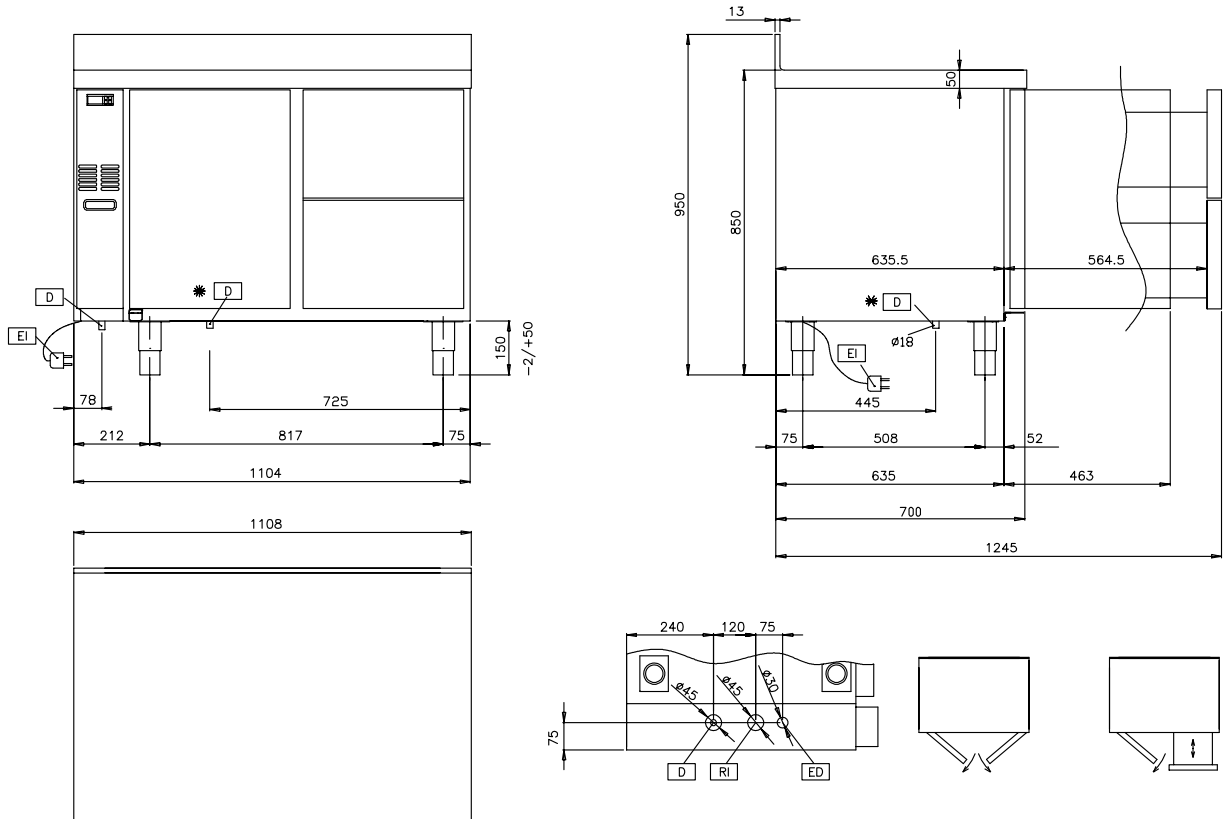
HBAC020

2009-10-06

Subject to change without notice

**Electrolux concept counters - Remote  
Refrigerators - 2 compartments**

728247, 728259, 728248



HBAC020

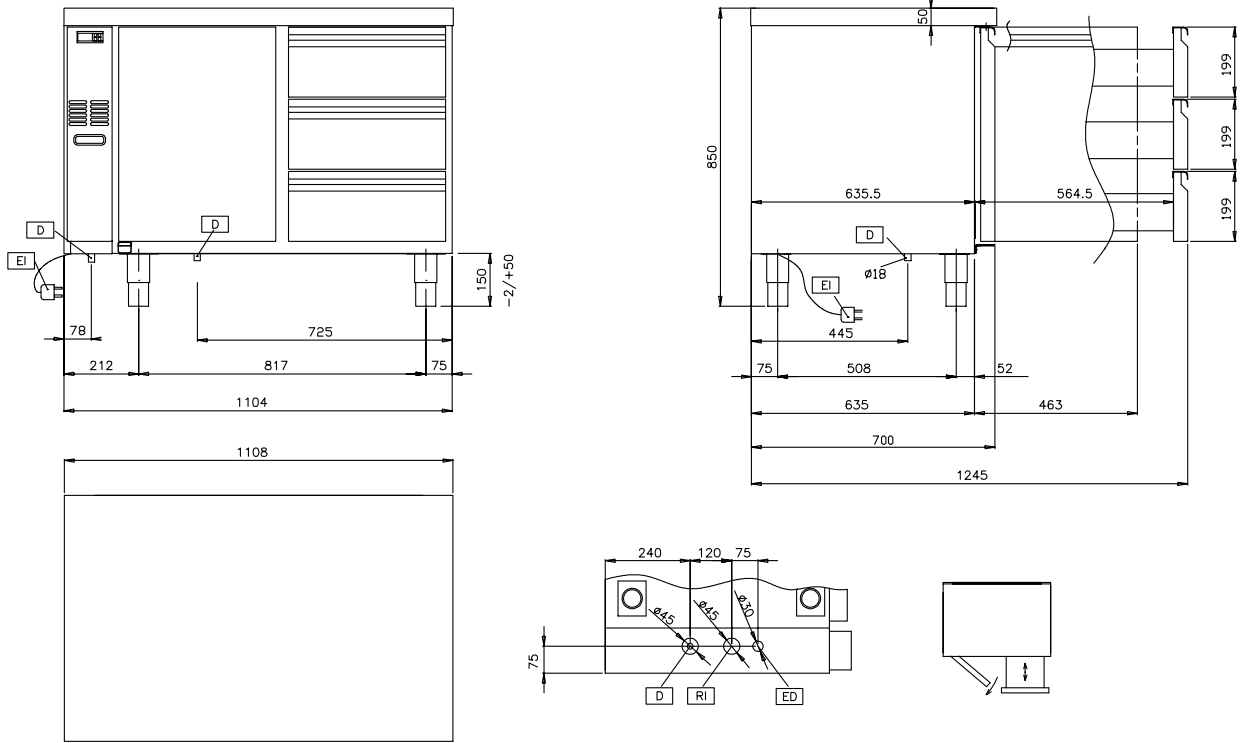
2009-10-06

Subject to change without notice

	<b>HB2PR 728247</b>	<b>HB1P2CR 728248</b>	<b>HB4CR 728259</b>
<b>LEGEND</b>			
D - Water drain	18mm	18mm	16mm
ED - Remote electrical connection	●	●	●
EI - Electrical connection	230 V, 1N, 50	230 V, 1N, 50	230 V, 1N, 50

**Electrolux concept counters - Remote  
Refrigerators - 2 compartments**

728254



<b>LEGEND</b> D - Water drain ED - Remote electrical connection EI - Electrical connection	<b>HB1P3CR 728254</b>
	18mm
	●
	230 V, 1N, 50

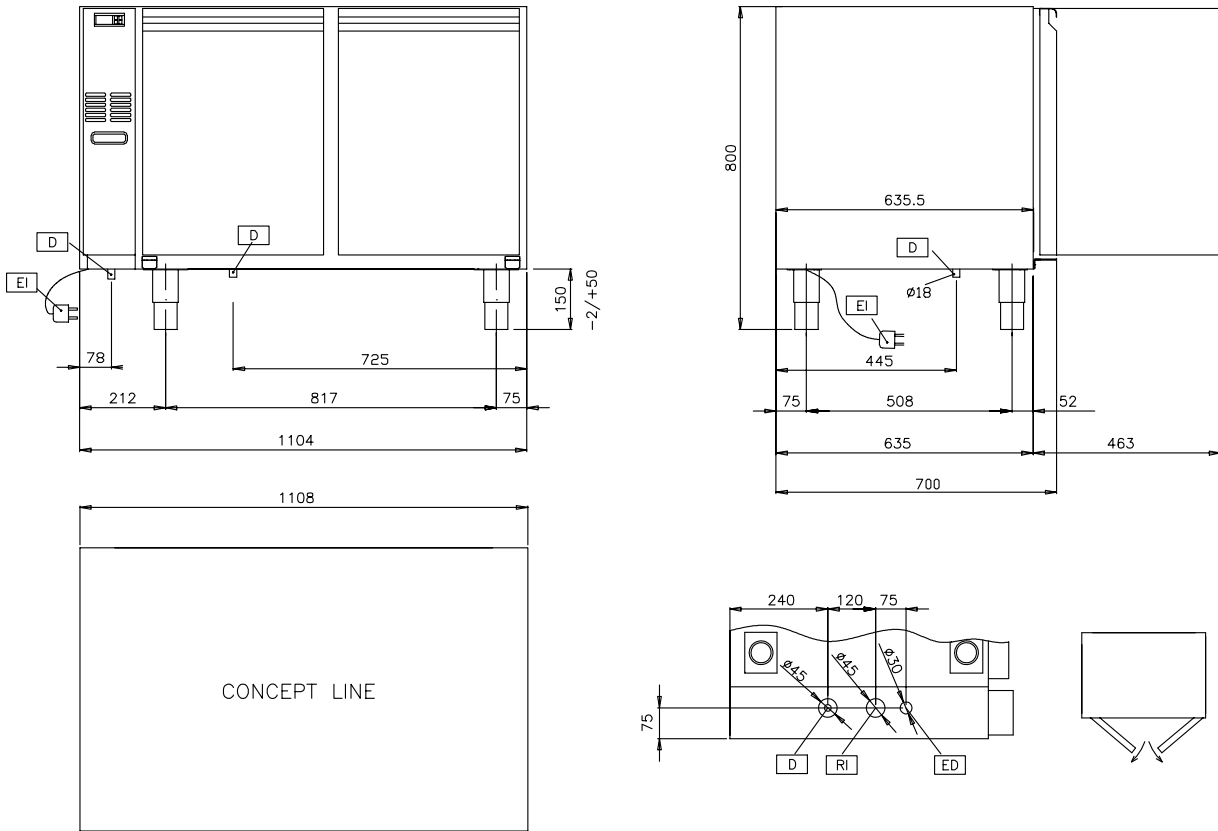
HBAC020

2009-10-06

Subject to change without notice

**Electrolux concept counters - Remote  
Refrigerators - 2 compartments**

727108



HBAC020

2009-10-06

Subject to change without notice

<b>LEGEND</b> D - Water drain ED - Remote electrical connection EI - Electrical connection	<b>HB2PNTR 727108</b>
	18mm
	●
	230 V, 1N, 50