

Refrigerators - 3 compartments

Electrolux Professional have designed and produced a complete range of refrigerated tables, that combines the dual function of worktop and refrigerated table. This versatility allows notable savings in space whilst offering functional and modular solutions to kitchen requirements.



728294

- Remote refrigeration unit.
- 150mm height-adjustable feet.
- Internal and external doors, front and side panels and worktop in 304 AISI stainless steel.
- Rounded internal corners for ease of cleaning.
- Refrigerated compartment designed to accommodate GN 1/1 containers.
- Digital control panel.
- Suitable to operate in ambient temperatures up to +43°C. Temperature range: -2/+10 °C.
- Forced air circulation for rapid cooling and an even temperature distribution.
- Drain outlet and automatic evaporation of defrost water.
- Access to all components from the front.
- In compliance with H requirements.
- C.F.C. and H.C.F.C. free.
- High-density expanded polyurethane foam, 50 mm in thickness, with cyclopentane injection.
- Developed and produced in ISO 9001 and ISO 14001 certified factory.



Electrolux

**Electrolux concept counters - Remote
Refrigerators - 3 compartments**

	HB3PR 728264	HB2P2CR 728294	HB1P4CR 728295	HB6CR 728296	HB3PNTR 727109
TECHNICAL DATA					
Operating temperature - min/max °C	-2/10	-2/10	-2/10	-2/10	-2/10
Operating mode	Ventilated	Ventilated	Ventilated	Ventilated	Ventilated
Gross capacity (D.I.N. 8952) - l.	415	415	415	415	415
Cooling unit	Remote	Remote	Remote	Remote	Remote
External dimensions - mm					
width	1591	1591	1591	1587	1591
depth/with open doors	700, 1102	700, 1102	700, 1102	700, 1102	700, 1098
height	850	850	850	850	800
Internal dimensions - mm					
depth	580	580	580	580	580
height	543	543	543	543	543
Worktop type	Stainless Steel	Stainless Steel	Stainless Steel	Stainless Steel	none
No worktop					●
Min/Max internal humidity - %	50	50	50	50	50
N° of drawers		2½	4x1/2	6x1/2	
N° and type of door	3	2	1		3
Door hinges	1 Left+2 Right	1 Left+1 Right	Left	Left	1 Left+2 Right
N° defrost in 24 hrs.	4/30	4/30	4/30	4/30	4/30
Refrigerant type	R404a	R404a	R404a	R404a	R404a
Refrigeration power - W		380			
Refrigerant power					
at evaporation temperature - °C	-20	-20	-20	-20	-20
Power - kW					
installed-electric	0.015	0.015	0.015	0.015	0.009
Net weight - kg.	130	138	146	146	130
Power supply - V, phases, Hz	230 V, 1N, 50	230 V, 1N, 50	230 V, 1N, 50	230 V, 1N, 50	230 V, 1N, 50
INCLUDED ACCESSORIES					
1/1 GN GREY "RILSAN" GRID	3	2	1		3
ACCESSORIES					
2x½ DRAWER KIT FOR REFRIGERATED TABLES	880118	880118	880118		880118
3x1/3 DRAWER KIT FOR REFRIGERATED TABLES	880115	880115	880115	880115	880115
AUTOMATIC DEFROST WITH WASTE EVAPORATION	880028	880028	880028	880028	880028
DRAWER KIT -1/3+2/3 (BOTTLES)-REF.TABLES	880126	880126	880126	880126	880126
KIT 2 S/S GRIDS GN1/1 FOR REFRIG.TABLES	880139	880139	880139		880139
KIT 4 WHEELS (2 W/BRAKE)+4 (40MM)SPACERS	880025	880025	880025	880025	880025
KIT DOOR REVERSIBILITY FOR REF.TABLES	880046	880046	880046	880046	880046
KIT HACCP EKIS	922166	922166	922166	922166	
KIT INTEGRATED HACCP-DIG. REFR. (IR33)	880205	880205	880205	880205	880205
LOCK KIT FOR REFRIGERATED TABLES	880130	880130	880130	880130	880130
PRINTER FOR HACCP BASIC VERSION REFRIG.	881457	881457	881457	881457	881457
REMOTE UNIT FOR 2-3 DOOR REFRIG.TABLES	880044	880044	880044	880044	880044
S/S STRUCTURE TO SUPPORT 6 GRIDS (R+L)	880140	880140	880140		880140
WORKTOP FOR 3 DOOR REFRIG.TABLES-REMOTE					880197
WORKTOP+UPSTAND F. 3 DOOR REF.TABLE-REM					880113

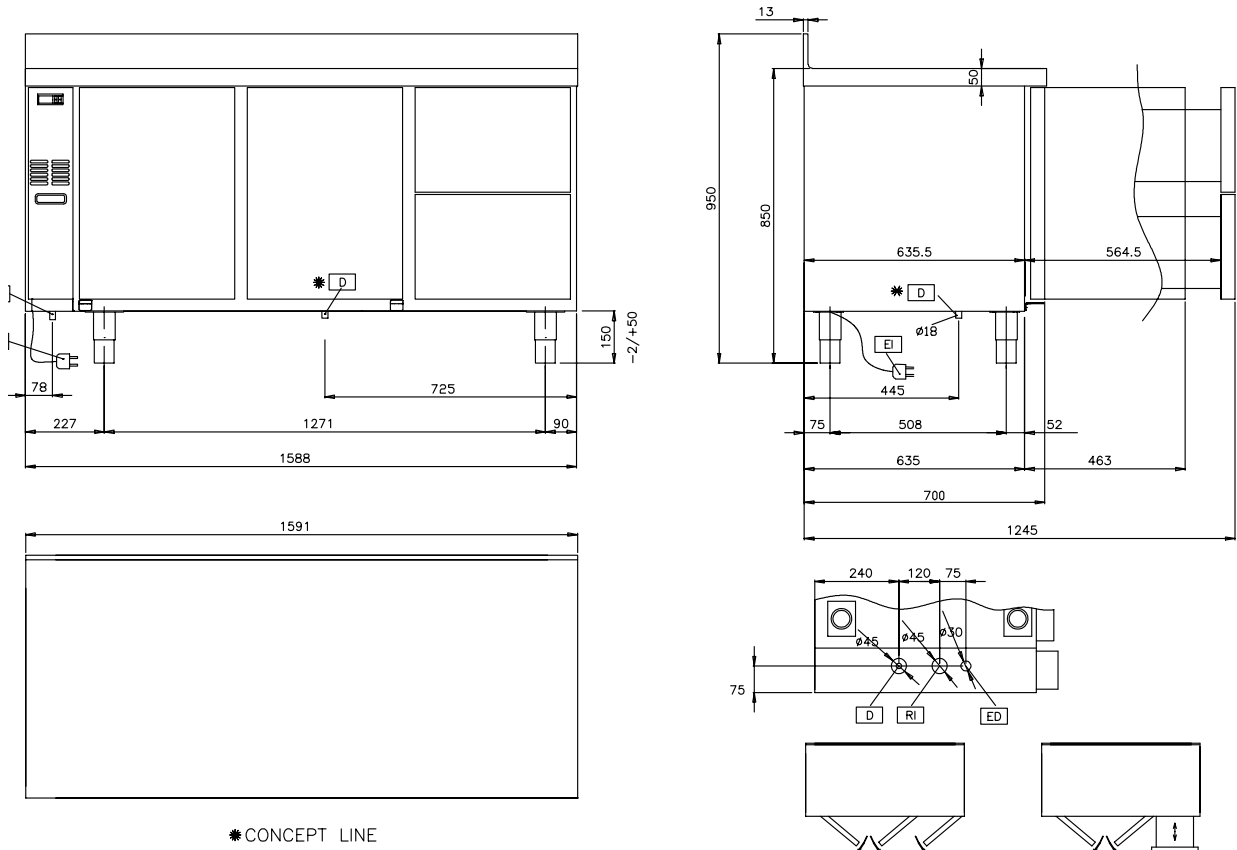
HBAC030

2009-10-06

Subject to change without notice

**Electrolux concept counters - Remote
Refrigerators - 3 compartments**

728264, 728296, 728295, 728294



HBAC030

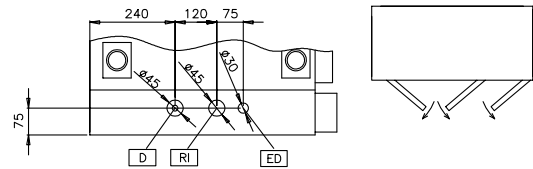
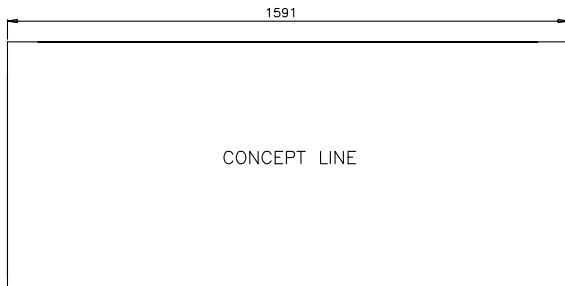
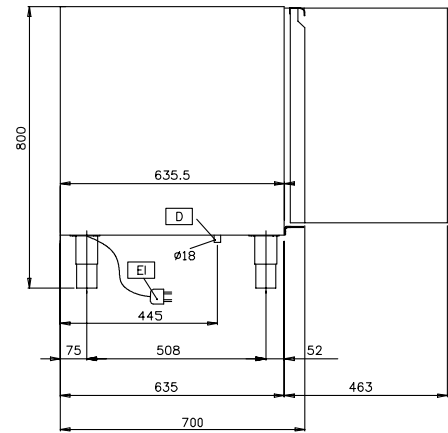
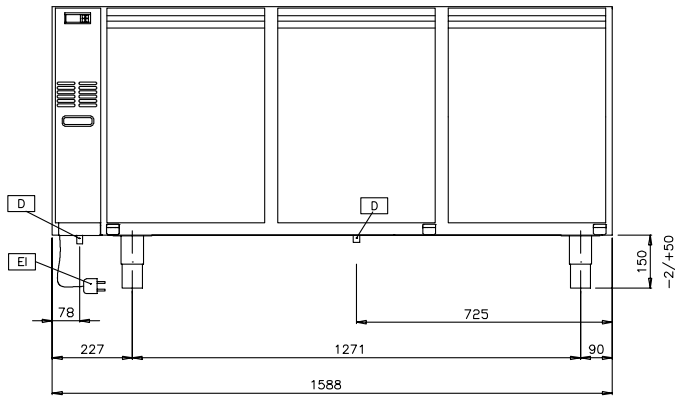
2009-10-06

	HB3PR 728264	HB2P2CR 728294	HB1P4CR 728295	HB6CR 728296
LEGEND				
D - Water drain	16mm	16mm	16mm	16mm
ED - Remote electrical connection	●	●	●	●
EI - Electrical connection	230 V, 1N, 50	230 V, 1N, 50	230 V, 1N, 50	230 V, 1N, 50

Subject to change without notice

**Electrolux concept counters - Remote
Refrigerators - 3 compartments**

727109



HBAC030

2009-10-06

Subject to change without notice

LEGEND D - Water drain ED - Remote electrical connection EI - Electrical connection	HB3PNTR 727109
	16mm
	●
	230 V, 1N, 50