

# KENWOOD

CD-RECEIVER

**KDC-MP5029V**  
**KDC-MP5029VG**

---

**INSTRUCTION MANUAL**

Kenwood Corporation



# Contents

---

<b>Safety precautions</b>	<b>3</b>	<b>Menu system</b>	<b>17</b>
<b>Notes</b>	<b>4</b>	Menu System	
<b>About CDs</b>	<b>5</b>	Security Code	
<b>About,MP3, and WMA</b>	<b>6</b>	Touch Sensor Tone	
<b>General features</b>	<b>7</b>	Manual Clock Adjustment	
Power		DSI (Disabled System Indicator)	
Selecting the Source		CRSC (Clean Reception System Circuit)	
Volume		Auxiliary Input Display Setting	
Attenuator		Text Scroll	
System Q		CD Read Setting	
Audio Control		Switches the NTSC/PAL setting	
Audio Setup		<b>Basic Operations of remote</b>	<b>21</b>
Speaker Setting		<b>Accessories/ Installation Procedure</b>	<b>23</b>
Theft Deterrent Faceplate		<b>Connecting Wires to Terminals</b>	<b>24</b>
Switching Display		<b>Installation</b>	<b>25</b>
Dimmer Control		<b>Removing the Unit</b>	<b>27</b>
TEL Mute		<b>Troubleshooting Guide</b>	<b>28</b>
<b>Tuner features</b>	<b>11</b>	<b>Specifications</b>	<b>31</b>
Tuning			
Tuning Mode			
Station Preset Memory			
Auto Memory Entry			
Preset Tuning			
Frequency Step Setting			
<b>CD/Audio file/VCD/External disc control features</b>	<b>13</b>		
Playing CD, Audio file & VCD			
Playing External Disc			
Fast Forwarding and Reversing			
Track/File Search			
Disc Search/Folder Search			
Direct Track/File Search			
Direct Disc Search			
Track/File/Disc/Folder Repeat			
Scan Play			
Random Play			
Magazine Random Play			
Folder Select			
Audio output select			
Text/Title Scroll			

## Safety precautions

---

### **▲WARNING**

#### **To prevent injury or fire, take the following precautions:**

- To prevent a short circuit, never put or leave any metallic objects (such as coins or metal tools) inside the unit.

#### **Attach the panel while you are on the vehicle**

The panel lock arm will be appeared when the panel is removed. Therefore, the panel must be attached during the driving.

### **▲CAUTION**

#### **To prevent damage to the machine, take the following precautions:**

- Make sure to ground the unit to a negative 12V DC power supply.
- Do not install the unit in a spot exposed to direct sunlight or excessive heat or humidity. Also avoid places with too much dust or the possibility of water splashing.
- Do not set the removed faceplate or the faceplate case in areas exposed to direct sunlight, excessive heat or humidity. Also avoid places with too much dust or the possibility of water splashing.
- To prevent deterioration, do not touch the terminals of the unit or faceplate with your fingers.
- Do not subject the faceplate to excessive shock, as it is a piece of precision equipment.
- When replacing a fuse, only use a new one with the prescribed rating. Using a fuse with the wrong rating may cause your unit to malfunction.
- Do not apply excessive force to the open faceplate or place objects on it. Doing so will cause damage or breakdown.
- Do not use your own screws. Use only the screws provided. If you use the wrong screws, you could damage the unit.

#### **Do Not Load 8 cm (3 in.) CDs in the CD slot**

If you try to load a 8 cm (3 in.) CD with its adapter into the unit, the adapter might separate from the CD and damage the unit.

#### **About CD players/disc changers connected to this unit**

KENWOOD disc changers/ CD players released in 1998 or later can be connected to this unit. Refer to the catalog or consult your Kenwood dealer for connectable models of disc changers/ CD players.

Note that any KENWOOD disc changers/ CD players released in 1997 or earlier and disc changers made by other makers cannot be connected to this unit. Unsupported connection may result in damage. Setting the "O-N" Switch to the "N" position for the applicable KENWOOD disc changers/ CD players. The functions that can be used and the information that can be displayed will differ depending on the models being connected.



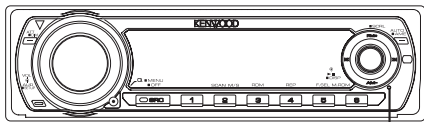
- You can damage both your unit and the CD changer if you connect them incorrectly.

#### **Lens Fogging**

Right after you turn on the car heater in cold weather, dew or condensation may form on the lens in the CD player of the unit. Called lens fogging, CDs may be impossible to play. In such a situation, remove the disc and wait for the condensation to evaporate. If the unit still does not operate normally after a while, consult your Kenwood dealer.

## Notes

- If you experience problems during installation, consult your Kenwood dealer.
- If the unit fails to operate properly, press the Reset button. The unit returns to factory settings when the Reset button is pressed.
- Press the reset button if the disc auto changer fails to operate correctly. Normal operation should be restored.



Reset button

- The characters which can be displayed by this unit are A-Z 0-9 @ " ' ` % & \* + - = , . / \ < > [ ] ( ) ; : ^ - { } | ~ .
- The illustrations of the display and the panel appearing in this manual are examples used to explain more clearly how the controls are used. Therefore, what appears on the display in the illustrations may differ from what appears on the display on the actual equipment, and some of the illustrations on the display may represent something impossible in actual operation.
- Video CD images are displayed on the monitor unit (an optional accessory) connected to the system.  
No Video CD image is displayed if the parking brake is released.  
Before watching the Video CD images, park your car in a safety place and apply the parking brake.

### Cleaning the Unit

If the faceplate of this unit is stained, wipe it with a dry soft cloth such as a silicon cloth.

If the faceplate is stained badly, wipe the stain off with a cloth moistened with neutral cleaner, then wipe neutral detergent off.



- Applying spray cleaner directly to the unit may affect its mechanical parts. Wiping the faceplate with a hard cloth or using a volatile liquid such as thinner or alcohol may scratch the surface or erase characters.

### Cleaning the Faceplate Terminals

If the terminals on the unit or faceplate get dirty, wipe them with a dry, soft cloth.

### About DAB Tuner control

Refer to [A] group on the Instruction manual of DAB Tuner KTC-9090DAB (optional accessory) for the control method of DAB Tuner function.

However, the following control methods of the function for this unit may be differed from the Instruction manual; therefore, refer to the following supplemental instruction.

#### <Auto Ensemble Memory Entry>

1. Select the preset band for Auto Ensemble Memory Entry.
2. Press the [AME] button for at least 2 seconds.  
Open Auto Ensemble Memory Entry.  
After storing in the memory finishes, the number of the pre-set buttons and the ensemble label are displayed.

#### <Searching by programme type and language> and <Languages to be displayed>

At the operation to press [DISP] button, press [AUTO] button.

### The marking of products using lasers (Except for some areas)

**CLASS 1  
LASER PRODUCT**

The label is attached to the chassis/case and says that the component uses laser beams that have been classified as Class 1. It means that the unit is utilizing laser beams that are of a weaker class. There is no danger of hazardous radiation outside the unit.

## About CDs

### Handling CDs

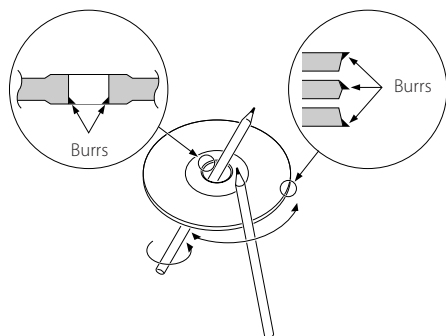
- Don't touch the recording surface of the CD.



- CD-R and CD-RW are easier to damage than a normal music CD. Use a CD-R or a CD-RW after reading the caution items on the package etc.
- Don't stick tape etc. on the CD. Also, don't use a CD with tape stuck on it.

### When using a new CD

If the CD center hole or outside rim has burrs, use it after removing them with a ball pen etc.

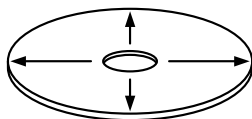


### CD accessories

Don't use disc type accessories.

### CD cleaning

Clean from the center of the disc and move outward.

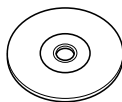



### Removing CDs

When removing CDs from this unit pull them out horizontally.

### CDs that can't be used

- CDs that aren't round can't be used.



- CDs with coloring on the recording surface or that are dirty can't be used.
- This unit can only play the CDs with . It may not correctly play discs which do not have the mark.
- A CD-R or CD-RW that hasn't been finalized can't be played. (For the finalization process refer to your CD-R/CD-RW writing software, and your CD-R/CD-RW recorder instruction manual.)

### CD storage

- Don't place them in direct sunlight (On the seat or dashboard etc.) and where the temperature is high.
- Store CDs in their cases.

## About, MP3 and WMA

The playable MP3/WMA file (hereafter called Audio file) and the media format has the following limitation. The Audio file, which is out of the specification, may not be able to be played normally, or the file and folder names may not be displayed correctly.



- Attach the correct extension for the Audio file (MP3: ".MP3", WMA: ".WMA")
- Do not attach the extensions to the other files besides the Audio file. If it is attached, the file, which is not the Audio file, will be played and outputs the loud noise, and then the speaker will be damaged.
- The files with copy protection cannot be played.

### Playable MP3 file

- MPEG 1/2 Audio Layer 3 file
- Transfer bit rate: 8-320 kbps
- Sampling frequency: 8, 11.025, 12, 16, 22.05, 24, 32, 44.1, 48 kHz

### Playable WMA file

- The file in accordance with Windows Media Audio (Except for the file for Windows Media Player 9 or after which applies the new functions)
- Transfer bit rate: 48-192 kbps
- Sampling frequency: 32, 44.1, 48 kHz

### Playable media

- CD-ROM, CD-R, CD-RW (CD-RW with quick format cannot be used.)



- When recording to the media up to the maximum capacity at once, the writing soft is set to "Disc at once".

### Playable disc format

- ISO 9660 Level 1/2
- Joliet
- Romeo
- Long file name.

### The maximum number of characters for display

File/Folder name: 64 (Joliet: 32) characters

MP3 ID3 Tag/

WMA Contents property: 30 characters



- File/Folder name is the number of the characters including the extensions
- MP3 ID3 Tag can only display the tag of Ver1.X.

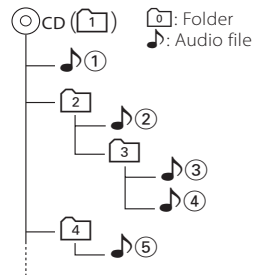
### Limitation of structure for the file and the folder

- Maximum number of directory levels: 8
- Maximum number of folders: 50
- Maximum number of files per folder: 255
- Maximum number of files and folders: 512

### Playing order of the Audio file

The Audio file is played in the order which is written by writing soft. You may be able to set the playing order by writing the play sequence numbers such as "01" to "99" at the beginning of the file name.

### Example



#### • Playing order

Playing order after ① play.

➡ ②, ③, ④, ⑤...

#### • File search

Forward file search during ③ play.

Push the Control knob to ➡ ④

#### • Folder search

Forward folder search during ② play.

Push the Control knob to [FM] ➡ ③, ④...

#### • Folder select

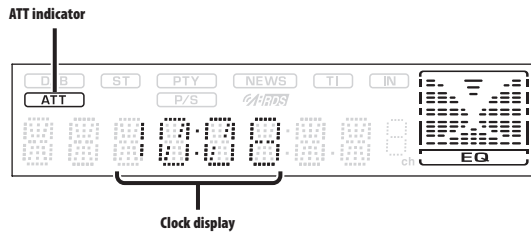
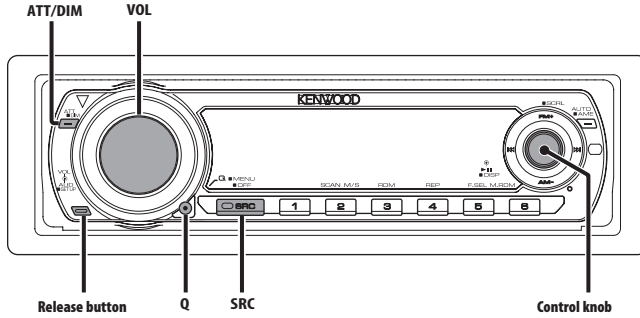
When it is set to directory ②, skip to the folder before the same level by folder select.

Push the Control knob to ➡ ②

When it is set to directory ③, makes the level up by folder select.

Push the Control knob to [AM] ➡ ②

# General features



## Power

### Turning ON the Power

Press the [SRC] button.



- When the power is ON, the <Security Code> (page 18) is displayed as "CODE ON" or "CODE OFF".

### Turning OFF the Power

Press the [SRC] button for at least 1 second.

## Selecting the Source

Press the [SRC] button.

Source required	Display
Tuner	"TUNER"
CD/VCD	"CD"
External disc (Optional accessory)	"CD CH"
Auxiliary input (Optional accessory)	"AUX EXT"
Standby (Illumination only mode)	"STANDBY"



- A disc containing Video CD files can also be played back. The Video CD is called the VCD in this manual.

## Volume

### Increasing Volume

Turn the [VOL] knob clockwise.

### Decreasing Volume

Turn the [VOL] knob counterclockwise.

# General features

## Attenuator

Turning the volume down quickly.

**Press the [ATT] button.**

Each time the button is pressed, the Attenuator turns ON and OFF.

When it's ON, the "ATT" indicator blinks.

## System Q

You can recall the best sound setting preset for different types of music.

### 1 Select the source to set

**Press the [SRC] button.**

### 2 Select the Sound type

**Press the [Q] button.**

Each time the button is pressed, the sound setting switches.

Sound setting	Display
Natural	"NATURAL"
User memory	"USER"
Rock	"ROCK"
Pops	"POPS"
Easy	"EASY"
Top 40	"TOP 40"
Jazz	"JAZZ"



- User memory: The values set on the <Audio Control> (page 8).

This unit doesn't have the User memory function so the values of Bass, Middle, and Treble set in audio control are replaced to the System Q values and "USER" is not be displayed when the System Q setting is changed.

- Each setting value is changed with the <Speaker Setting> (page 9).  
First, select the speaker type with the Speaker setting.

## Audio Control

### 1 Select the source for adjustment

**Press the [SRC] button.**

### 2 Enter Audio Control mode

**Press the [VOL] knob.**

### 3 Select the Audio item for adjustment

**Press the [VOL] knob.**

Each time the knob is pressed, the items that can be adjusted switch as shown below.

### 4 Adjust the Audio item

**Turn the [VOL] knob.**

Adjustment Item	Display	Range
Bass level	"BAS L"	-8 — +8
Middle level	"MID L"	-8 — +8
Treble level	"TRE L"	-8 — +8
Balance	"BAL"	Left 15 — Right 15
Fader	"FAD"	Rear 15 — Front 15

### 5 Exit Audio Control mode

**Press any button.**

Press the button which is not [VOL] knob and [ATT] button.

## Audio Setup

Setting the Sound system, such as Volume offset and Loudness.

### 1 Select the source for adjustment

**Press the [SRC] button.**

### 2 Enter Audio Setup mode

**Press the [VOL] knob for at least 1 second.**

### 3 Select the Audio Setup item for adjustment

**Press the [VOL] knob.**

Each time the knob is pressed, the items that can be adjusted switch as shown below.

### 4 Adjust the Audio setup item

**Turn the [VOL] knob.**

Adjustment Item	Display	Range
Volume offset	"V-OFF"	-8 — +0
Loudness	"LOUD"	ON/OFF



- Volume offset: Each source's volume can be set as a difference from the basic volume.
- Loudness: Compensating for low and high tones during low volume.

### 5 Exit Audio Setup mode

**Press the [VOL] knob for at least 1 second.**



## Speaker Setting

Fine-tuning so that the System Q value is optimal when setting the speaker type.

### 1 Enter Standby

Press the [SRC] button.

Select the "STANDBY" display.

### 2 Enter Speaker Setting mode

Press the [VOL] knob.

### 3 Select the Speaker type

Turn the [VOL] knob.

Each time the knob is turned, the setting switches as shown below.

Speaker type	Display
OFF	"SP OFF"
For 5 & 4 in. speaker	"SP 5/4"
For 6 & 6x9 in. speaker	"SP 6* 9/6"
For the OEM speaker	"SP OEM"

### 4 Exit Speaker Setting mode

Press the [VOL] knob.

## Theft Deterrent Faceplate

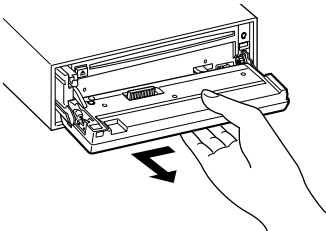
The faceplate of the unit can be detached and taken with you, helping to deter theft.

### Removing the Faceplate

#### 1 Press the Release button.

Drop open the faceplate.

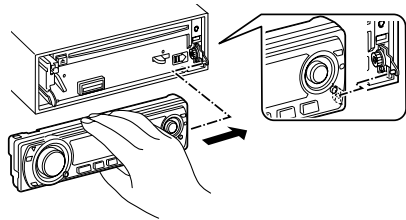
#### 2 Drawing the faceplate to left side pull it to the front and remove it.



- The faceplate is a precision piece of equipment and can be damaged by shocks or jolts. For that reason, keep the faceplate in its special storage case while detached.
- Do not expose the faceplate or its storage case to direct sunlight or excessive heat or humidity. Also avoid places with too much dust or the possibility of water splashing.

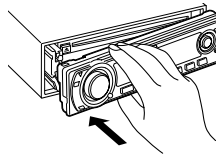
### Reattaching the Faceplate

#### 1 Align the shaft on the unit with the depression on the faceplate.



#### 2 Push the faceplate in until it clicks.

The faceplate is locked in place, allowing you to use the unit.



# General features

## Switching Display

Switching the information displayed.

### 1 Enter Switching Display mode

Press the Control knob for at least 1 second.

"DISP SEL" is displayed.

### 2 Select the Display item

Push the Control knob to [◀◀] or [▶▶].

#### In Tuner source

Information	Display
Frequency	"FREQ"
Clock	"CLOCK"

#### In CD & External disc source

Information	Display
Disc title (In External disc source)	"D-TITLE"*
Track title (In External disc source)	"T-TITLE"*
Track number & Play time	"P-TIME"
Clock	"CLOCK"

#### In Audio file source

Information	Display
Song title & Artist name	"TITLE"*
Album name & Artist name	"ALBUM"*
Folder name	"FOLDER"
File name	"FILE"
Track number & Play time	"P-TIME"
Clock	"CLOCK"

#### In VCD source

Information	Display
Track number & Play time	"P-TIME"
Clock	"CLOCK"

#### In Auxiliary input source/ Standby source

Information	Display
Source name	"SRC NAME"
Clock	"CLOCK"

### 3 Exit Switching Display mode

Press the Control knob.



- \* If the contents of the information cannot be displayed, Play time is displayed.
- When the clock display is selected, the display setting of each source will be switched to the clock display.
- Album name cannot be displayed in WMA file.

## Dimmer Control

You can lower the brightness of the display by using the dimmer function.

Press the [ATT] button for at least 1 second.

Each time the button is pressed for 1 second, the Dimmer control turns ON and OFF.

When it's ON, "DIM ON" is displayed.

## TEL Mute

The audio system automatically mutes when a call comes in.

### When a call comes in

"CALL" is displayed.

The audio system pauses.

### Listening to the audio during a call

Press the [SRC] button.

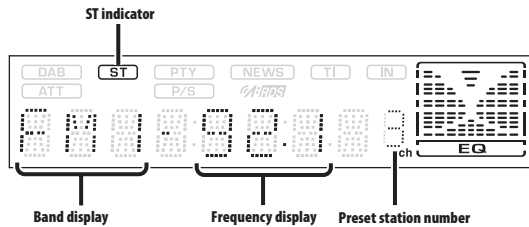
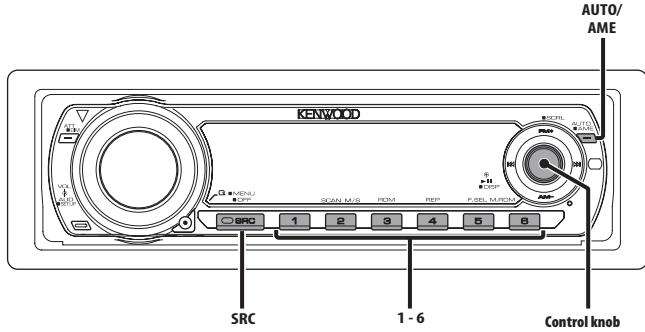
The "CALL" display disappears and the audio system comes back ON.

### When the call ends

Hang up the phone.

The "CALL" display disappears and the audio system comes back ON.

# Tuner features



## Tuning

Selecting the station.

### 1 Select tuner source

Press the [SRC] button.

Select the "TUNER" display.

### 2 Select the band

Push the Control knob to [FM] or [AM].

Each time the knob is pushed to [FM], it switches between the FM1, FM2, and FM3 bands.

### 3 Tune up or down band

Push the Control knob to [◀◀] or [▶▶].



• During reception of stereo stations the "ST" indicator is ON.

## Tuning Mode

Choose the tuning mode.

Press the [AUTO] button.

Each time the button is pressed, the Tuning mode switches as shown below.

Tuning mode	Display	Operation
Auto seek	"AUTO 1"	Automatic search for a station.
Preset station seek	"AUTO 2"	Search in order of the stations in the Preset memory.
Manual	"MANUAL"	Normal manual tuning control.

## Station Preset Memory

Putting the station in the memory.

### 1 Select the band

Push the Control knob to [FM] or [AM].

### 2 Select the frequency to put in the memory

Push the Control knob to [◀◀] or [▶▶].

### 3 Put the frequency in the memory

Press the desired [1] — [6] button for at least 2 seconds.

The preset number display blinks 1 time.

On each band, 1 station can be put in the memory on each [1] — [6] button.

## Tuner features

---

### Auto Memory Entry

---

Putting stations with good reception in the memory automatically.

**1 Select the band for Auto Memory Entry**

Push the Control knob to [FM] or [AM].

**2 Open Auto Memory Entry**

Press the [AME] button for at least 2 seconds.

When 6 stations that can be received are put in the memory Auto Memory Entry closes.

### Preset Tuning

---

Calling up the stations in the memory.

**1 Select the band**

Push the Control knob to [FM] or [AM].

**2 Call up the station**

Press the desired [1] — [6] button.

### Frequency Step Setting

---

Changing the tuning frequency step.

The original setting is FM band 50 kHz, and AM band 9 kHz.

**1 Turn the power OFF**

Press the [SRC] button for at least 1 second.

**2 Switch the frequency step**

**While pressing the [1] and [5] button, press the [SRC] button.**

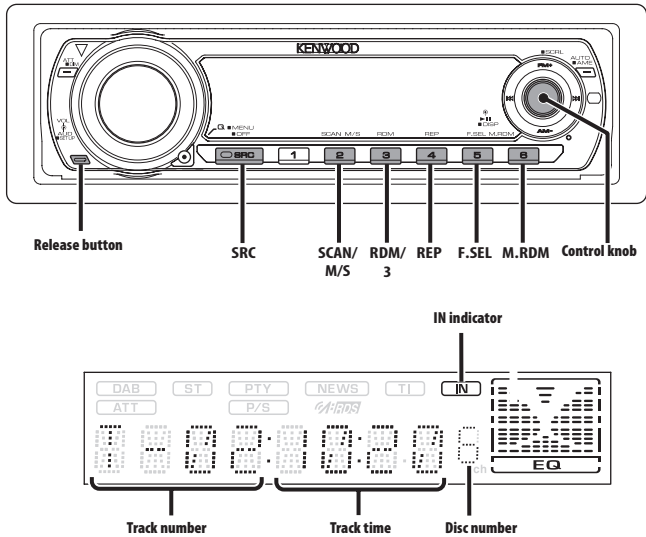
Release your fingers from the button after the display is appeared.

The frequency step changes to FM band 200 kHz, and AM band 10 kHz.



- When the same operation is repeated, it returns to the original setting.
- When the frequency step is switched, the frequencies in the memory are deleted.

## CD/Audio file/VCD/External disc control features



### Playing CD, Audio file & VCD

#### When there is no disc inserted

- 1 Drop open the faceplate  
Press the Release button.
- 2 Insert a disc.
- 3 Push the faceplate on the left side, and return it to its former position.



- When the faceplate has been dropped open, it might interfere with the shift lever or something else. If this happens, pay attention to safety and move the shift lever or take an appropriate action, then operate the unit.
- Do not use the unit with the faceplate in the open condition. If it's used in the open position dust can enter the inside part and cause damage.



- Refer to <About, MP3 and WMA> (page 6) for the Audio file by models which can be played.
- When a disc is inserted, the "IN" indicator is ON.
- A disc containing Video CD files can also be played back. The Video CD is called the VCD in this manual.
- Data is not displayed and not played back if it is recorded in the VCD title menu area for Playback Control.

- You cannot use the PBC (Playback Control) function even if the media having the PBC function is played back by this system.

#### When a disc is inserted

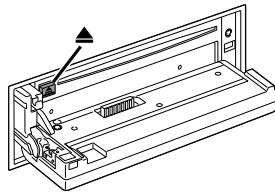
- Press the [SRC] button.  
Select the "CD" display.

#### Pause and play

- Press the Control knob.  
Each time the knob is pressed, it pauses and plays.

#### Eject the disc

- 1 Drop open the faceplate  
Press the Release button.
- 2 Eject the disc  
Press the [▲] button.



- 3 Press the faceplate on the left side, and return it to its former position.

# CD/Audio file/VCD/External disc control features

## Playing External Disc

Playing discs set in the optional accessory disc player connected to this unit.

**Press the [SRC] button.**

Select the display for the disc player you want.

**Display examples:**

Display	Disc player
"CD CH"	CD changer
"MD CH"	MD changer

## Pause and play

**Press the Control knob.**

Each time the knob is pressed, it pauses and plays.



- Disc 10 is displayed as "0".
- The functions that can be used and the information that can be displayed will differ depending on the external disc players being connected.

## Fast Forwarding and Reversing

### Fast Forwarding

**Hold down on [▶▶] of the Control knob.**

Release your finger to play the disc at that point.

### Reversing

**Hold down on [◀◀] of the Control knob.**

Release your finger to play the disc at that point.



- The sound is not output while the Audio file and video track of Video CD is being searched.

## Track/File Search

Searching for a song on the disc or in the Audio file folder.

**Push the Control knob to [◀◀] or [▶▶].**

*Function of disc changer/ Audio file*

## Disc Search/Folder Search

Selecting the disc set in the Disc changer or the folder recorded on the Audio file media.

**Push the Control knob to [FM] or [AM].**

*Function of remote*

## Direct Track/File Search

Doing Track/File Search by entering the track/file number.

**1 Enter the track/file number**  
Press the number buttons on the remote.

**2 Do Track/File Search**  
Press the [◀◀] or [▶▶] button.

**Canceling Direct Track/File Search**

Press the [▶II] button.

*Function of disc changers with remote*

## Direct Disc Search

Doing Disc Search by entering the disc number.

**1 Enter the disc number**  
Press the number buttons on the remote.

**2 Do Disc Search**  
Press the [+] or [-] button.

**Canceling Direct Disc Search**

Press the [▶II] button.



- Input "0" to select disc 10.

## Track/File/Disc/Folder Repeat

Replaying the song, disc in the Disc changer or Audio file folder you're listening to.

**Press the [REP] button.**

Each time the button is pressed, the Repeat Play switches as shown below.

## In CD, VCD & External disc source

Repeat play	Display
Track Repeat	"TRACK REP"
Disc Repeat (In Disc Changer)	"DISC REP"
OFF	"REP OFF"

## In Audio file

Repeat play	Display
File Repeat	"FILE REP"
Folder Repeat	"FOLD REP"
OFF	"REP OFF"

## Scan Play

Playing the first part of each song on the disc you are listening to and searching for the song you want to listen to.

### 1 Start Scan Play

Press the [SCAN] button.

"TRAC SCN"/"FILE SCN" is displayed.

### 2 Release it when the song you want to listen to is played

Press the [SCAN] button.



- You cannot use the Scan Play mode for a disc containing Video CD files.

## Random Play

Play all the songs on the disc or Audio file folder in random order.

Press the [RDM] button.

Each time the button is pressed, Random Play turns ON and OFF.

When it's ON, "DISC RDM"/"FOLD RDM" is displayed.



- When the Control knob is pushed to [▶▶I], the next random song starts.

## Function of disc changer

### Magazine Random Play

Play the songs on all the discs in the disc changer in random order.

Press the [M.RDM] button.

Each time the button is pressed, the Magazine Random Play turns ON and OFF.

When it's ON, "MGZN RDM" is displayed.



- When the Control knob is pushed to [▶▶I], the next random song starts.

# CD/Audio file/VCD/External disc control features

## Function of Audio file

### Folder Select

Quickly selecting the folder you want to listen to.

#### 1 Enter Folder Select mode

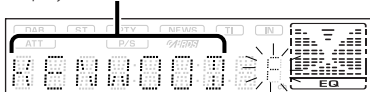
Press the [F.SEL] button.

"F-SELECT" is displayed.

During Select mode the folder information is displayed as shown below.

#### Folder name display

Displays the current folder name.



#### 2 Select the folder level

Push the Control knob to [FM] or [AM].

With the [FM] of the Control knob, you move 1 level down and with the [AM] of the Control knob 1 level up.

#### Selecting a folder in the same level

Push the Control knob to [◀◀] or [▶▶].

With the [◀◀] of the Control knob, you move to the previous folder, and with the [▶▶] of the Control knob to the next folder.

#### Returning to the top level

Press the [3] button.

#### 3 Decide the folder to play

Press the Control knob.

The Folder Select mode releases, and the Audio file in the folder being displayed is played.

#### Canceling the Folder Select mode

Press the [F.SEL] button.

## Function of VCD

### Audio output select

You can switch the audio output to STEREO, Left or Right.

Press the [M/S] button.

Display	Operation
"STEREO"	The stereo sound is output.
"LL"	Outputs the Left channel sound to the right and left speakers.
"RR"	Outputs the Right channel sound to the right and left speakers.



- If a disc containing the mixed Video CD and CD-DA signals is played, the Audio output select function is cancelled when the CD-DA part is played back.

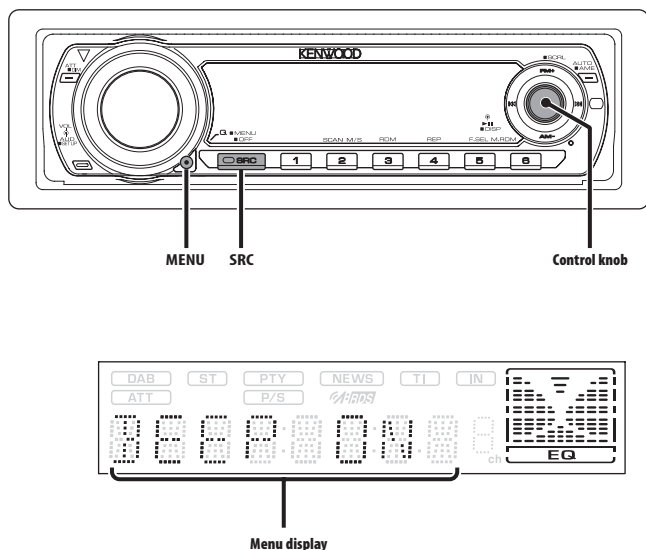
### Text/Title Scroll

Scrolling the displayed CD text, Audio file text, or MD title.

Hold down on [FM] of the Control knob for at least 1 second.



# Menu system



## Menu System

Setting during operation beep sound etc. functions.

The Menu system basic operation method is explained here. The reference for the Menu items and their setting content is after this operation explanation.

### 1 Enter Menu mode

Press the [MENU] button for at least 1 second.

"MENU" is displayed.

### 2 Select the menu item

Push the Control knob to [FM] or [AM].

Example: When you want to set the beep sound select the "BEEP" display.

### 3 Set the menu item

Push the Control knob to [◀◀] or [▶▶].

Example: When "BEEP" is selected, each time the knob is pushed it switches "BEEP ON" or "BEEP OFF". Select 1 of them as the setting.

You can continue by returning to step 2 and setting other items.

### 4 Exit Menu mode

Press the [MENU] button.



- When other items that are applicable to the basic operation method above are displayed, afterwards their setting content chart is entered. (Normally the uppermost setting in the chart is the original setting.) Also, the explanation for items that aren't applicable (<Manual Clock Adjustment> etc.) are entered step by step.
- It is the item when the menu item of Middle text display part is selected.

# Menu system

In Standby mode

## Security Code

Because authorization by the Security Code is required when it's removed from the vehicle, personalizing this unit is by using the Security Code is a help in preventing theft.



- When the Security Code function is activated, it can't be released.  
Note, your Security Code is the 4 digit number entered in your "Car Audio Passport" in this package.

### 1 Enter Standby

Press the [SRC] button.

Select the "STANDBY" display.

### 2 Enter Menu mode

Press the [MENU] button for at least 1 second.

When "MENU" is displayed, "SECURITY" is displayed.

### 3 Enter Security Code mode

Hold down on [◀◀] or [▶▶] of the Control knob for at least 1 second.

When "ENTER" is displayed, "CODE" is displayed.

### 4 Select the digits to enter

Push the Control knob to [◀◀] or [▶▶].

### 5 Select the Security Code numbers

Push the Control knob to [FM] or [AM].

### 6 Repeat steps 4 and 5, and complete the Security Code.

### 7 Confirm the Security Code

Press the Control knob for at least 3 seconds.

When "RE-ENTER" is displayed, "CODE" is displayed.

### 8 Do the step 4 through 7 step operation, and reenter the security code.

"APPROVED" is displayed.

The Security Code function activates.



- If you enter a Code different from your Security Code, you have to start over from step 4.

## Press the Reset button and when it's removed from the battery power source

1 Turn the power ON.

2 Do the step 4 through 7 step operation, and reenter the security code.

"APPROVED" is displayed.

The unit can be used.



- If an incorrect code is input, "WAITING" is displayed, and the input prohibited time shown below is generated.  
After the input prohibited time lapses, "CODE" is displayed, and input can be done.

Number of times the incorrect code was input	Input prohibited time
1	—
2	5 minutes
3	1 hour
4	24 hours

In Standby mode

## Touch Sensor Tone

Setting the operation check sound (beep sound) ON/OFF.

Display	Setting
"BEEP ON"	Beep is heard.
"BEEP OFF"	Beep canceled.

In Standby mode

## Manual Clock Adjustment

1 Select Clock Adjustment mode

Push the Control knob to [FM] or [AM].

Select the "CLK ADJ" display.

2 Enter Clock Adjust mode

Hold down on [◀◀] or [▶▶] of the Control knob for at least 1 second.

The clock display blinks.

3 Adjust the hours

Push the Control knob to [FM] or [AM].

Adjust the minutes

Push the Control knob to [◀◀] or [▶▶].

#### 4 Exit Clock adjustment mode

Press the [MENU] button.

*In Standby mode*

#### DSI (Disabled System Indicator)

A red indicator will blink on the unit after the faceplate is removed, warning potential thieves.

Display	Setting
"DSI ON"	LED flashes.
"DSI OFF"	LED OFF.

*In FM reception*

#### CRSC (Clean Reception System Circuit)

Temporarily have reception switched from stereo to mono to reduce multi-path noise when listening to the FM station.

Display	Setting
"CRSC ON"	The CRSC is ON.
"CRSC OFF"	The CRSC is OFF.



- Strong electrical fields (such as from power lines) may cause unstable sound quality when CRSC is turned ON. In such a situation, turn it OFF.

#### Auxiliary Input Display Setting

For selecting the display when switched to Auxiliary input source.

##### 1 Select Auxiliary input source

Press the [SRC] button.

Select the "AUX EXT" display.

##### 2 Enter Menu mode

Press the [MENU] button for at least 1 second.

"MENU" is displayed.

##### 3 Select Auxiliary input display setting mode

Push the Control knob to [FM] or [AM].

Select the "NAME SET" display.

##### 4 Enter Auxiliary input display setting mode

Press the [◀◀] or [▶▶] button for at least 1 second.

The presently selected Auxiliary input display is displayed.

##### 5 Select the Auxiliary input display

Push the Control knob to [◀◀] or [▶▶].

Each time the button is pressed, the display switches as shown below.

- "AUX EXT"
- "DVD"
- "PORTABLE"
- "GAME"
- "VIDEO"
- "TV"

##### 6 Exit Auxiliary input display setting mode

Press the [MENU] button.



- When operation stops for 10 seconds, the name at that time is registered, and the Auxiliary input display setting mode closes.
- The Auxiliary input display can be set only when the auxiliary input of optional KCA-S210A is used.

#### Text Scroll

Setting the displayed text scroll.

Display	Setting
"SCL AUTO"	Repeats scroll.
"SCL MANU"	Scrolls when the display changes.



- The text scrolled is shown below.
  - CD text
  - Folder name/ File name/ Song title/ Artist name/ Album name
  - MD title

# Menu system

---

*In Standby mode*

## **CD Read Setting**

---

When there is a problem on playing a CD with special format, this setting play the CD by force.

Display	Setting
"CD READ 1"	Play CD and Audio file.
"CD READ 2"	Play CD by force.



- Setting "CD READ 2" cannot play Audio file.  
Some music CDs may not be played back even in the "CD READ 2" mode.

*In Standby mode*

## **Switches the NTSC/PAL setting**

---

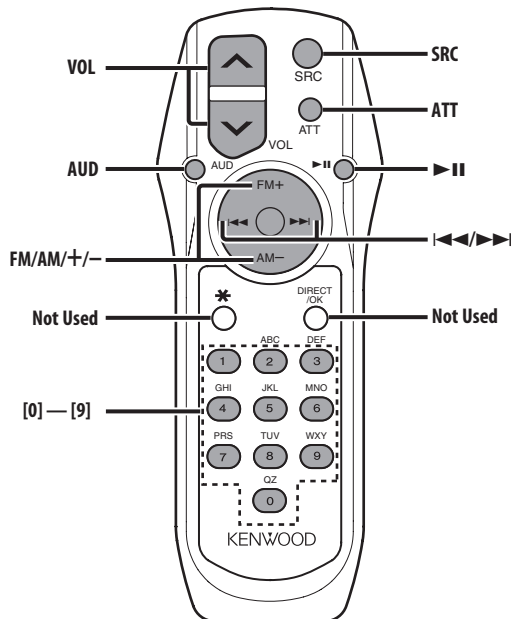
Switches to the NTSC broadcast mode or PAL broadcast mode setting.

Display	Setting
"PAL"	Set this in the PAL broadcast mode area.
"NTSC"	Set this in the NTSC broadcast mode area.



- The PAL or NTSC setup must match the setup of the connected monitor unit. If they do not match, no image can be played back.

## Basic Operations of remote

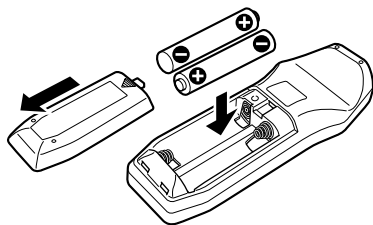


### Loading and Replacing the battery

Use two "AA"-size batteries.

Slide the cover while pressing downwards to remove it as illustrated.

Insert the batteries with the + and - poles aligned properly, following the illustration inside the case.



#### ⚠ WARNING

- Store unused batteries out of the reach of children. Contact a doctor immediately if the battery is accidentally swallowed.



- Do not set the remote on hot places such as above the dashboard.

### Basic operations

#### [VOL] buttons

Adjusting the volume.

#### [SRC] button

Each time the button is pressed, the source switches.

For the source switching order refer to <Selecting the Source> (page 7).

#### [ATT] button

Turning the volume down quickly.

When it is pressed again, it returns to the previous level.

# Basic Operations of remote

---

## Audio Control

---

### [AUD] button

Select the Audio item for adjustment.

### [VOL] buttons

Adjust the Audio item.



- Refer to <Audio Control> (page 8) for the operation method, such as the procedures of Audio control and others.

## In Tuner source

---

### [FM]/ [AM] buttons

Select the band.

Each time the [FM] button is pressed, it switches between the FM1, FM2, and FM3 bands.

### [◀◀]/ [▶▶] buttons

Tune up or down band.

### [0] — [9] buttons

Press buttons [1] — [6] to recall preset stations.

## In Disc source

---

### [◀◀]/ [▶▶] buttons

Doing track/file forward and backward.

### [+]/ [-] buttons

Doing disc/folder forward and backward.

### [▶ II] button

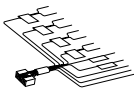
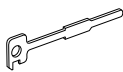





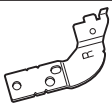
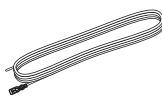

Each time the button is pressed, the song pauses and plays.

### [0] — [9] buttons

When in <Direct Track/File Search> (page 14) and <Direct Disc Search> (page 14), enter the track/file/disc number.

# Accessories/ Installation Procedure

## Accessories

①		.....1
②		.....2
③		.....4
④		.....4
⑤		.....1
⑥		.....2
⑦		.....1
⑧		.....1
⑨		.....1
⑩		.....1

## Installation Procedure

1. To prevent a short circuit, remove the key from the ignition and disconnect the ⊖ battery.
2. Make the proper input and output wire connections for each unit.
3. Connect the speaker wires of the wiring harness.
4. Connect the wiring harness wires in the following order: ground, battery, ignition.
5. Connect the wiring harness connector to the unit.
6. Install the unit in your car.
7. Reconnect the ⊖ battery.
8. Press the reset button.

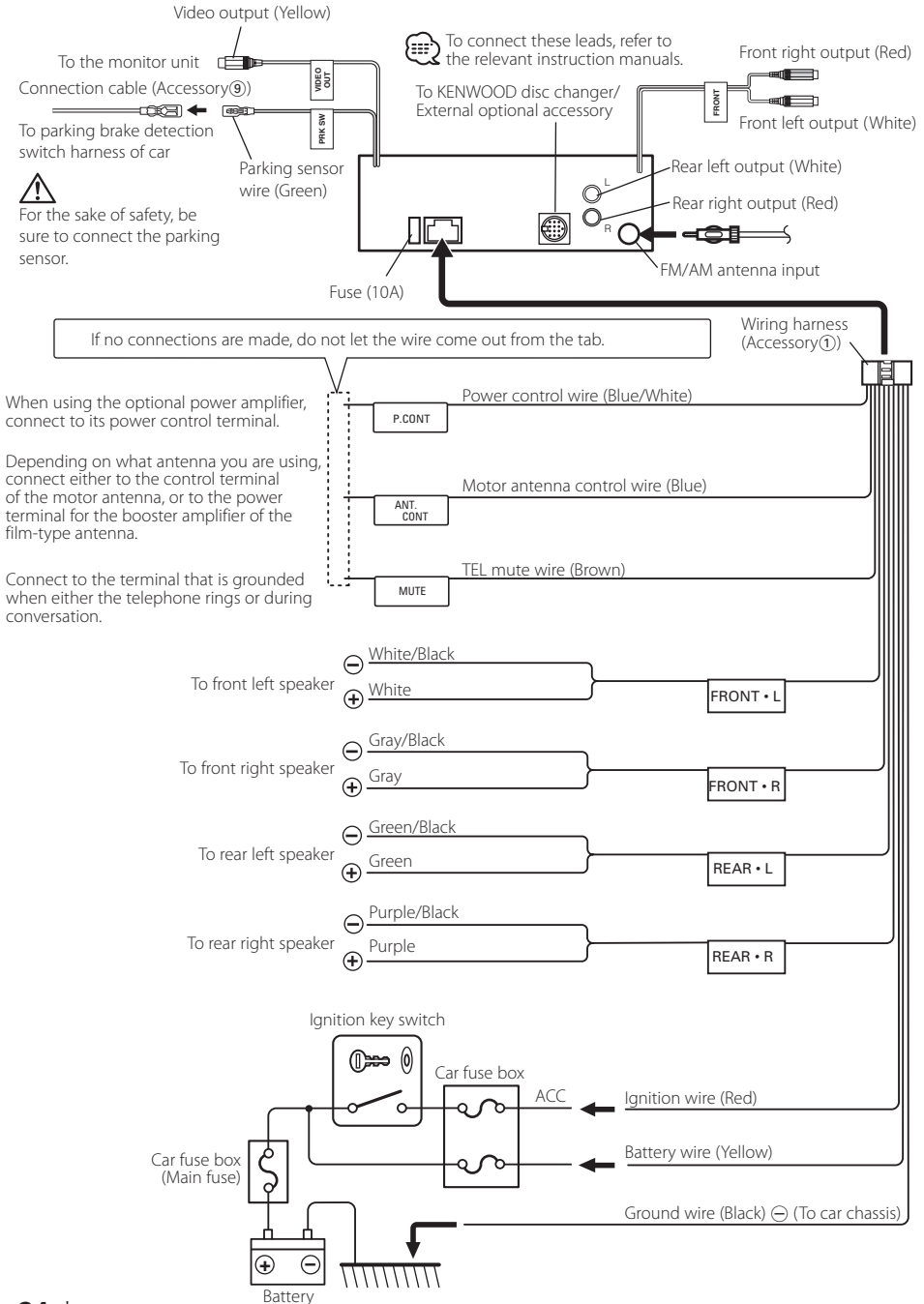
### ▲WARNING

If you connect the ignition wire (red) and the battery wire (yellow) to the car chassis (ground), you may cause a short circuit, that in turn may start a fire. Always connect those wires to the power source running through the fuse box.



- If the power is not turned ON (or it is ON, but will be OFF immediately), the speaker wire may have a short-circuit or touched the chasis of the vehicle and the protection function may have been activated. Therefore, the speaker wire should be checked.
- If your car's ignition does not have an ACC position, connect the ignition wires to a power source that can be turned on and off with the ignition key. If you connect the ignition wire to a power source with a constant voltage supply, as with battery wires, the battery may die.
- If the console has a lid, make sure to install the unit so that the faceplate will not hit the lid when closing and opening.
- If the fuse blows, first make sure the wires aren't touching to cause a short circuit, then replace the old fuse with one with the same rating.
- Insulate unconnected wires with vinyl tape or other similar material. To prevent a short circuit, do not remove the caps on the ends of the unconnected wires or the terminals.
- Connect the speaker wires correctly to the terminals to which they correspond. The unit may be damaged or fail to work if you share the ⊖ wires or ground them to any metal part in the car.
- When only two speakers are being connected to the system, connect the connectors either to both the front output terminals or to both the rear output terminals (do not mix front and rear). For example, if you connect the ⊕ connector of the left speaker to a front output terminal, do not connect the ⊖ connector to a rear output terminal.
- After the unit is installed, check whether the brake lamps, blinkers, wipers, etc. on the car are working properly.
- Mount the unit so that the mounting angle is 30° or less.

# Connecting Wires to Terminals

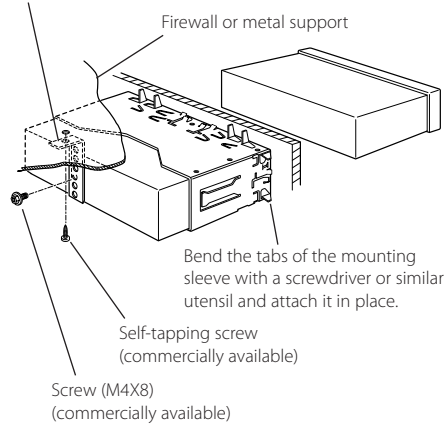




# Installation

## non-Japanese cars

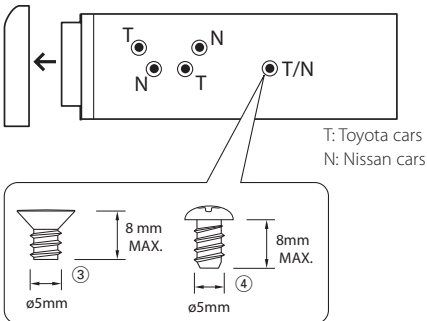
Metal mounting strap  
(commercially available)



- Make sure that the unit is installed securely in place. If the unit is unstable, it may malfunction (for example, the sound may skip).

## Japanese cars

- 1 Refer to the section <Removing the hard rubber frame> (page 27) and then remove the hard rubber frame.
- 2 Align the holes in the unit (two locations on each side) with the vehicle mounting bracket and secure the unit with the accessory screws.



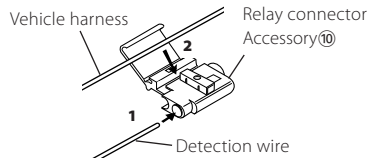
Accessory③...for Nissan car  
Accessory④...for Toyota car



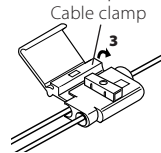
- During installation, do not use any screws except for those provided. The use of different screws might result in damage to the main unit.
- Damage may occur if a screwdriver or similar tool is used with excessive force during the installations.

## Using the Relay Connector

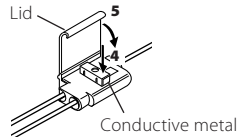
- 1 Plug the vehicle's harness into the relay connector.
- 2 Plug the parking brake detection wire into the relay connector.



- 3 Lock the cable clamp.



- 4 Press down using pliers until the conductive metal is even with the plastic surface.
- 5 Lock the lid.

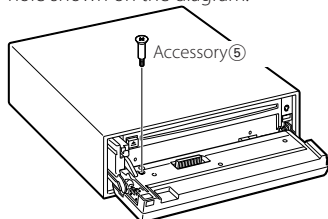


# Installation

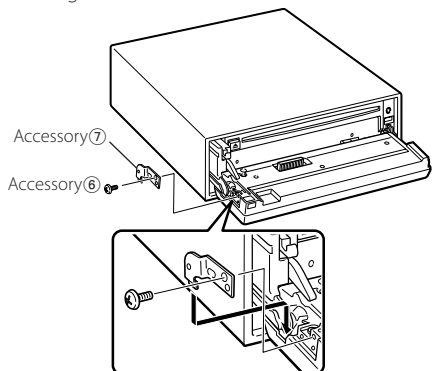
## Screwing the Faceplate on the Unit

If you want to fasten the faceplate to the main unit so that it does not fall off.

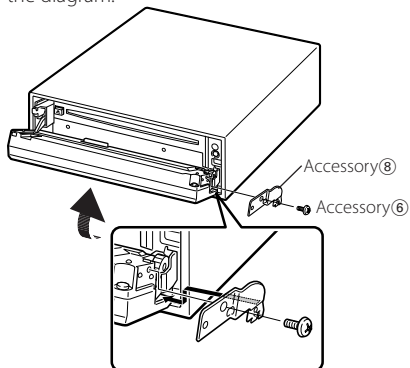
- 1 Refer to the section <Removing the hard rubber frame> (page 27) and then remove the hard rubber frame.
- 2 Drop open the faceplate by pressing the Release button.
- 3 Tighten the stepped screw (Accessory ⑤) in the hole shown on the diagram.



- 4 Tighten the screw (ø2 × 5 mm) (Accessory ⑥) and bracket (Accessory ⑦) in the hole shown on the diagram.

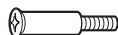


- 5 Tighten the screw (ø2 × 5 mm) (Accessory ⑥) and bracket (Accessory ⑧) in the hole shown on the diagram.



- Never insert the screws in any other screw hole than the one specified. If you screw them in another hole, it will contact and may cause damage to the mechanical parts inside the unit.

Accessory ⑤



.....1

Accessory ⑥

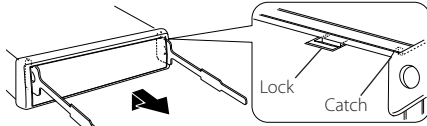


.....2

# Removing the Unit

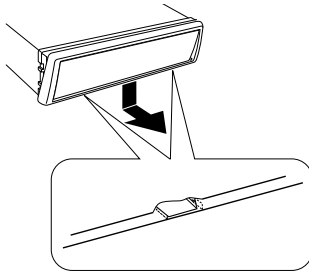
## Removing the hard rubber frame

- 1 Engage the catch pins on the removal tool and remove the two locks on the upper level. Upper the frame and pull it forward as shown in the figure.



Accessory②  
Removal tool

- 2 When the upper level is removed, remove the lower two locations.

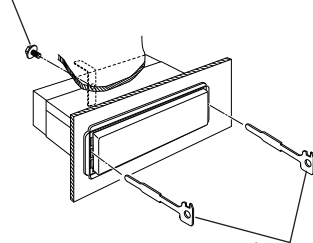


- The frame can be removed from the bottom side in the same manner.

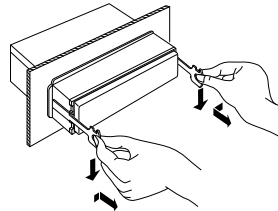
## Removing the Unit

- 1 Refer to the section <Removing the hard rubber frame> (page 27) and then remove the hard rubber frame.
- 2 Remove the screw (M4 × 8) on the back panel.
- 3 Insert the two removal tools deeply into the slots on each side, as shown.

Screw (M4X8)  
(commercially available)

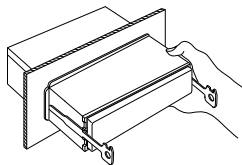


- 4 Lower the removal tool toward the bottom, and pull out the unit halfway while pressing towards the inside.



- Be careful to avoid injury from the catch pins on the removal tool.

- 5 Pull the unit all the way out with your hands, being careful not to drop it.



# Troubleshooting Guide

What might seem to be a malfunction in your unit may just be the result of slight misoperation or miswiring. Before calling service, first check the following table for possible problems.

## General

### ? The power does not turn ON.

- ✓ The fuse has blown.
  - ⓘ After checking for short circuits in the wires, replace the fuse with one with the same rating.
- ✓ The speaker wire has a short-circuit or touches the chassis of the vehicle, and then the protection function is activated.
  - ⓘ Wire or insulate the speaker cable properly and press the reset button.

### ? There's a source you can't switch.

- ✓ There's no media inserted.
  - ⓘ Set the media you want to listen to. If there's no media in this unit, you can't switch to each source.
- ✓ The Disc changer isn't connected.
  - ⓘ Connect the Disc changer. If the Disc changer isn't connected to its input terminal, You can't switch to an external disc source.

### ? The memory is erased when the ignition is turned OFF.

- ✓ The ignition and battery wire are incorrectly connected.
  - ⓘ Connect the wire correctly, referring to the section on <Connecting Wires to Terminals>.

### ? The TEL mute function does not work.

- ✓ The TEL mute wire is not connected properly.
  - ⓘ Connect the wire correctly, referring to the section on <Connecting Wires to Terminals>.

### ? The TEL mute function turns ON even though the TEL mute wire is not connected.

- ✓ The TEL mute wire is touching a metal part of the car.
  - ⓘ Pull the TEL mute wire away from the metal part of the car.

### ? Even if Loudness is turned ON, high-pitched tone isn't compensated for.

- ✓ Tuner source is selected.
  - ⓘ High-pitched tone isn't compensated for when in Tuner source.

### ? No sound can be heard, or the volume is low.

- ✓ The fader or balance settings are set all the way to one side.
  - ⓘ Center the fader and balance settings.
- ✓ The input/output wires or wiring harness are connected incorrectly.
  - ⓘ Reconnect the input/output wires or the wiring harness correctly. See the section on <Connecting Wires to Terminals>.
- ✓ The values of Volume offset are low.
  - ⓘ Turn up the Volume offset, referring to the section on <Audio Setup> (page 8).

### ? The sound quality is poor or distorted.

- ✓ One of the speaker wires is being pinched by a screw in the car.
  - ⓘ Check the speaker wiring.
- ✓ The speakers are not wired correctly.
  - ⓘ Reconnect the speaker wires so that each output terminal is connected to a different speaker.

### ? The Touch Sensor Tone doesn't sound.

- ✓ The preout jack is being used.
  - ⓘ The Touch Sensor Tone can't be output from the preout jack.
- ✓ The <Touch Sensor Tone> (page 18) is OFF.
  - ⓘ Turn it ON.

## Tuner source

### ? Radio reception is poor.

- ✓ The car antenna is not extended.  
E38\* Pull the antenna out all the way.
  - ✓ The antenna control wire is not connected.  
E38\* Connect the wire correctly, referring to the section on <Connecting Wires to Terminals>.
- 

## Disc source

### ? "AUX EXT" is displayed without achieving External disc control mode.

- ✓ Unsupported disc changer is connected.  
E38\* Use the disc changer mentioned in the <About CD players/disc changers connected to this unit> (page 3) of the section on <Safety precautions>.
- 

### ? The specified disc does not play, but another one plays instead.

- ✓ The specified CD is quite dirty.  
E38\* Clean the CD.
  - ✓ The disc is loaded in a different slot from that specified.  
E38\* Eject the disc magazine and check the number for the specified disc.
  - ✓ The disc is severely scratched.  
E38\* Try another disc instead.
- 

### ? A CD ejects as soon as it is loaded.

- ✓ The CD is quite dirty.  
E38\* Clean the CD, referring to the CD cleaning of the section on <About CDs> (page 5).
- 

### ? Can't remove disc.

- ✓ The cause is that more than 10 minutes has elapsed since the vehicle ACC switch was turned OFF.  
E38\* The disc can only be removed within 10 minutes of the ACC switch being turned OFF. If more than 10 minutes has elapsed, turn the ACC switch ON again and press the Eject button.
- 

### ? The disc won't insert.

- ✓ There's already another disc inserted.  
E38\* Press the [▲] button and remove the disc.
- 

### ? Direct Search can't be done.

- ✓ Another function is ON.  
E38\* Turn Random Play or other functions OFF.
- 

### ? Track Search can't be done.

- ✓ For the discs/folders first or last song.  
E38\* For each disc/folder, Track Search can't be done in the backward direction for the first song or in the forward direction for the last song.
- 

## Audio file source

### ? Cannot play an Audio file.

- ✓ The media is scratched or dirty.  
E38\* Clean the media, referring to the CD cleaning of the section on <About CDs> (page 5).
- 

### ? The sound skips when an Audio file is being played.

- ✓ The media is scratched or dirty.  
E38\* Clean the media, referring to the CD cleaning of the section on <About CDs> (page 5).
  - ✓ The recording condition is bad.  
E38\* Record the media again or use another media.
- 

### ? The Audio file track time isn't displayed correctly.

- ✓ ---  
E38\* There are times when it isn't displayed correctly according to the Audio file recording conditions.
-

## Troubleshooting Guide

---

### The messages shown below display your systems condition.

EJECT:	No disc magazine has been loaded in the changer. The disc magazine is not completely loaded. ⇨ Load the disc magazine properly. ⇨ No CD in the unit. ⇨ Insert the CD.	HOLD:	The protective circuit in the unit activates when the temperature inside the automatic disc changer exceeds 60°C (140°F), stopping all operation. ⇨ Cool down the unit by opening the windows or turning on the air conditioner. As the temperature falls below 60°C (140°F), the disc will start playing again.
NO DISC:	No disc has been loaded in the disc magazine. ⇨ Load a disc into the disc magazine.	LOAD:	Discs are being exchanged in the Disc changer.
TOC ERR:	No disc has been loaded in the disc magazine. ⇨ Load a disc into the disc magazine. The CD is quite dirty. The CD is upside-down. The CD is scratched a lot. ⇨ Clean the CD and load it correctly.	IN (Blink):	The CD player section is not operating properly. ⇨ Reinsert the CD. If the CD cannot be ejected or the display continues to flash even when the CD has been properly reinserted, please switch off the power and consult your nearest service center.
E-05:	The CD is upside-down. ⇨ Load the CD correctly.	NA FILE:	An Audio file is played with a format that this unit can't support. ⇨ ----
BLANK:	Nothing has been recorded on the MD.	COPY PRO:	A copy-protected file is played. ⇨ ----
NO TRACK:	No tracks are recorded on the MD, although it has a title.	DISP OFF:	No parking brake is applied during playback of the Video CD.
E-15:	Media was played that doesn't have data recorded that the unit can play. ⇨ Use media that has data recorded that the unit can play.		
NO PANEL:	The faceplate of the slave unit being connected to this unit has been removed. ⇨ Replace it.		
E-77:	The unit is malfunctioning for some reason. ⇨ Press the reset button on the unit. If the "E-77" code does not disappear, consult your nearest service center.		
E-99:	The unit is malfunctioning for some reason. ⇨ Press the reset button on the unit. If the "E-99" code does not disappear, consult your nearest service center.		

# Specifications

---

Specifications subject to change without notice.

## FM tuner section

---

- Frequency range
  - (50 kHz space): 87.5 MHz – 108.0 MHz
  - (200 kHz space): 87.9 MHz – 107.9 MHz
- Usable sensitivity (S/N = 30dB)
  - : 9.3dBf (0.8  $\mu$ V/75  $\Omega$ )
- Quieting Sensitivity (S/N = 50dB)
  - : 15.2dBf (1.6  $\mu$ V/75  $\Omega$ )
- Frequency response ( $\pm$ 3 dB)
  - : 30 Hz – 15 kHz
- Signal to Noise ratio (MONO)
  - : 70 dB
- Selectivity ( $\pm$ 400 kHz)
  - :  $\geq$  80 dB
- Stereo separation (1 kHz)
  - : 40 dB

## AM tuner section

---

- Frequency range
  - (9 kHz space): 531 kHz – 1611 kHz
  - (10 kHz space): 530 kHz – 1700 kHz
- Usable sensitivity (S/N = 20dB)
  - : 28 dB $\mu$  (25  $\mu$ V)

## Audio section

---

- Maximum output power
  - : 50 W x 4
- Full Bandwidth Power (at less than 1% THD)
  - : 22 W x 4
- Tone action
  - Bass : 100 Hz  $\pm$ 10 dB
  - Middle : 1 kHz  $\pm$ 10 dB
  - Treble : 10 kHz  $\pm$ 10 dB
- Preout level / Load (during disc play)
  - : 2000 mV/10 k $\Omega$
- Preout impedance
  - :  $\leq$  600  $\Omega$

## CD player section

---

- Laser diode
  - : GaAlAs
- Digital filter (D/A)
  - : 8 Times Over Sampling
- D/A Converter
  - : 1 Bit
- Spindle speed
  - : 500 – 200 rpm (CLV)
- Wow & Flutter
  - : Below Measurable Limit
- Frequency response ( $\pm$ 1 dB)
  - : 10 Hz – 20 kHz
- Total harmonic distortion (1 kHz)
  - : 0.01 %
- Signal to Noise ratio (1 kHz)
  - : 105 dB
- Dynamic range
  - : 93 dB
- Channel separation
  - : 96 dB
- MP3 decode
  - : Compliant with MPEG-1/2 Audio Layer-3
- WMA decode
  - : Compliant with Windows Media Audio
- Video CD format
  - : Version 1.1
- Color system
  - : NTSC/PAL
- Video output level
  - : 1vp-p/75  $\Omega$

## General

---

- Operating voltage (11 – 16V allowable)
  - : 14.4 V
- Current consumption
  - : 10 A
- Installation Size (W x H x D)
  - : 182 x 53 x 155 mm
- Weight
  - : 1.2 kg

---

**KENWOOD**