

Electrolux Cold Rooms

-2/+8° - 3,1/6,1 m³

Electrolux cold rooms are available in a vast range of different sizes and functionalities. They are designed to work in tropical temperatures(+43°C). The range consists of coolers (-2/+8°C) with panels 60 mm in thickness, freezer cold rooms (-10/-21°C) with panels 100 mm in thickness and with built-in or remote refrigerating unit. The five models detailed on this sheet are cooler cold rooms with a usable volume of 3,1 to 6,1 cubic meters. Models come with panels and gas pre-charged cooling unit.



Shelving as accessory

CONSTRUCTION

- Very short assembly time. Expert refrigeration knowledge is not required for installation.
- New vacuum injection technology which permits to have significant enhancement on the performances of the panels and high quality.
- Panels are clad inside and outside with anti-scratch prepainted galvanized steel. Polyurethane foam insulation. CFC and HCFC free.
- Rounded internal and external corners. All edges are radiused.
- Anti-slip walk-in floor.
- The fast-fit centering system allows perfect alignment of the panels. These new fasteners are made of high resistant composite materials and guarantee perfect grip of all components.
- Airtight panels connection. All sides of panels have PVC gasket foamed in place to assure airtight and secure fitting. Any other sealing between panels on site is eliminated.

- The refrigeration unit is mounted on a modular panel for easy installation and quick set-up of the cold room. All the refrigeration units are tropicalized (+43°C) and use R404A refrigerant and are supplied with a high/low temperature alarm.
- If the floor on which the cold rooms will be installed presents irregularities or unevenness up to 1 cm, then the surface of the floor should be levelled.

PERFORMANCES

- Defrosting through heated gas with re-evaporation of defrosting water permits to reduce the total power installed, shorten defrosting time and limit the warming of the cold room.
- All models are equipped with internal lighting (waterproof IP54) mounted on the refrigerating unit panel.

- The control panel includes: luminous ON/OFF switch, internal lighting switch, cold room functioning indicator, defrost cycle indicator, temperature and thermostat control with digital display.
- The right-hinged door is available as standard (left-hinged door on request) and constructed with smooth rounded profiles, cam-lift action hinges, airtight magnetic gasket and high insulation thus allowing to reduce energy and operating costs.
- Newly designed handle complete with lock and interior safety release to prevent entrapment when the door is accidentally locked from outside.
- HACCP monitoring is possible through a serial port supplied on all models.
- Conform to ruling European safety and hygiene standards and H marked.



Electrolux

Electrolux Cold Rooms
-2/+8° - 3,1/6,1 m³

HFBA010

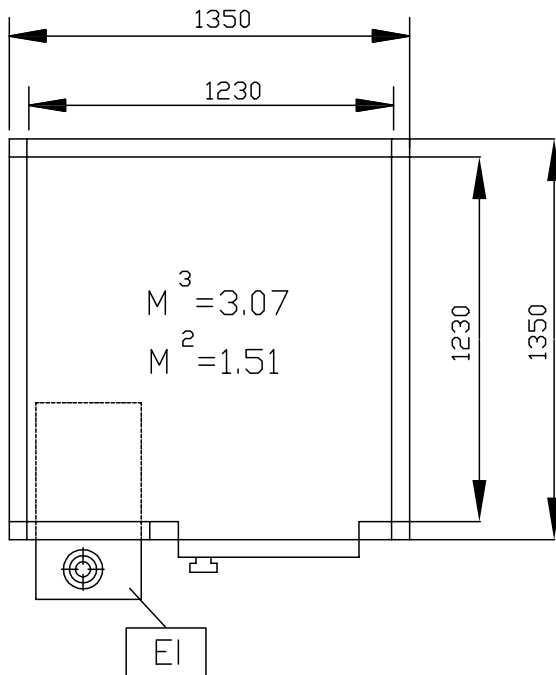
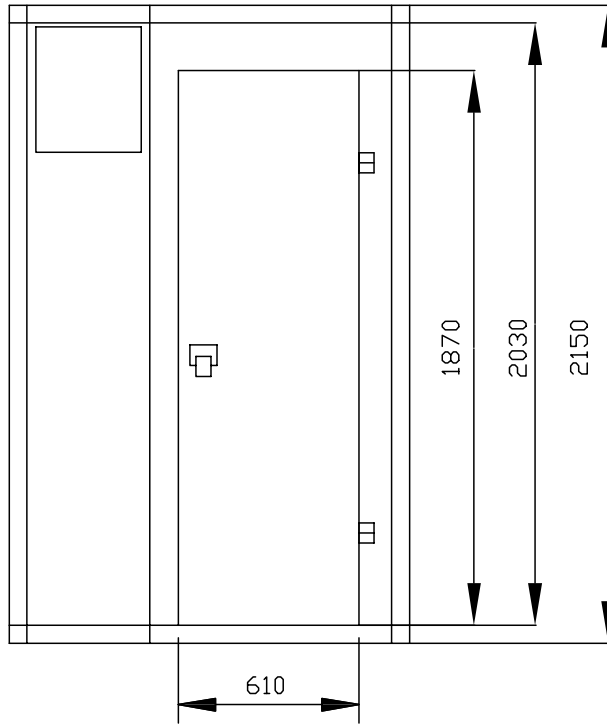
2009-10-06

	CR12N031S 102028	CR16N041S 102212	CR16N054S 102213	CR20N051S 102217	CR24N061S 102234
TECHNICAL DATA					
External dimensions - mm					
width	1350	1750	1750	2150	2550
depth	1350	1350	1750	1350	1350
height	2150	2150	2150	2150	2150
Compressor power - HP		0,5	0,5	0,5	0,5
Electrical power - kW	0,8	0,78	0,883	0,8	0,8
Net weight - kg.	281	287	330	315	338
Power supply - V, phases, Hz	220/230 V, 1N, 50	230 V, 1N, 50	230 V, 1N, 50	230 V, 1N, 50	230 V, 1N, 50
Usable volume - m³.		4,1	5,4	5,1	6,1
Usable surface area - m²		2,00	2,66	2,50	2,99
ACCESSORIES					
ALUM.SHELV.,POLY.TIERS-COLDROOM 123X123	137108				
ALUM.SHELV.,POLY.TIERS-COLDROOM 163X123		137090			
ALUM.SHELV.,POLY.TIERS-COLDROOM 163X163			137091		
ALUM.SHELV.,POLY.TIERS-COLDROOM 203X123				137095	
ALUM.SHELV.,POLY.TIERS-COLDROOM 243X123					137100
DOOR MICROSWITCH		102441	102441	102441	102441
GRAPHIC TEMPERATURE RECORDER	102025	102025	102025	102025	102025
KIT HACCP ADV.CONNECTION FOR COLD ROOMS	102021	102021	102021	102021	102021
PLASTIC CURTAIN FOR 65CM DOOR CLEARANCE	102027	102027	102027	102027	102027
PRINTER FOR HACCP BASIC VERSION REFRIG.		881457	881457	881457	881457
PRINTER FOR TEMPERATURE RECORDER	102026	102026	102026	102026	102026

Subject to change without notice

Electrolux Cold Rooms
-2/+8° - 3,1/6,1 m³

102028



LEGEND EI - Electrical connection	CR12N031S 102028
	220/230 V, 1N, 50

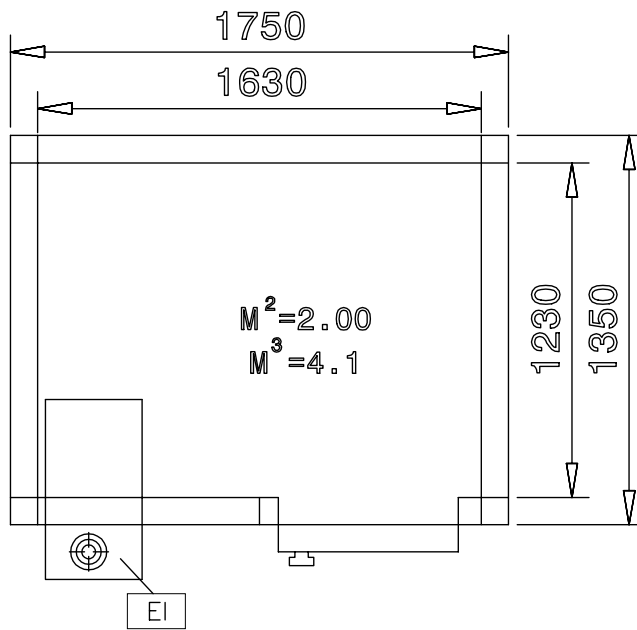
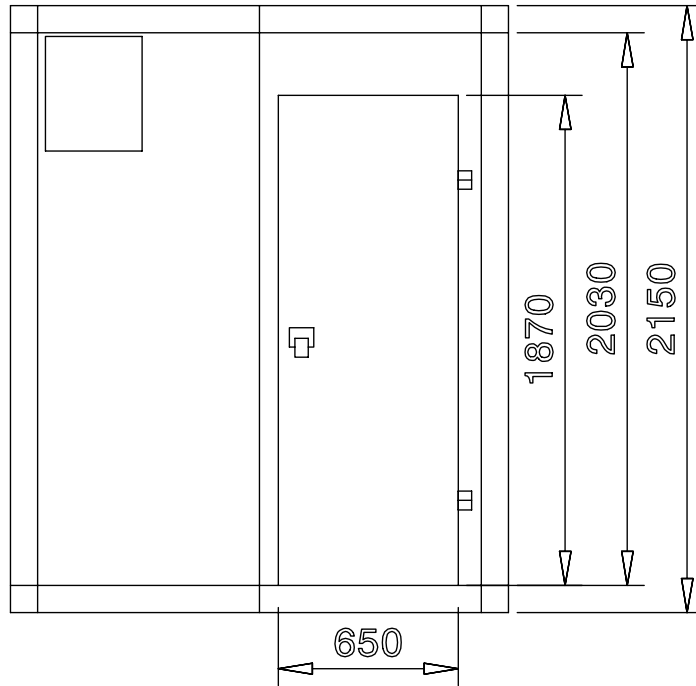
HFBA010

2009-10-06

Subject to change without notice

Electrolux Cold Rooms
-2/+8° - 3,1/6,1 m³

102212



LEGEND EI - Electrical connection	CR16N041S 102212
	230 V, 1N, 50

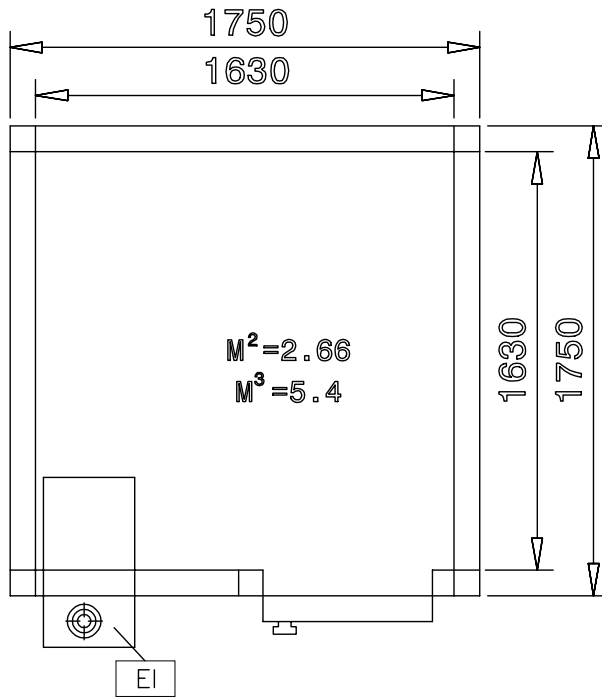
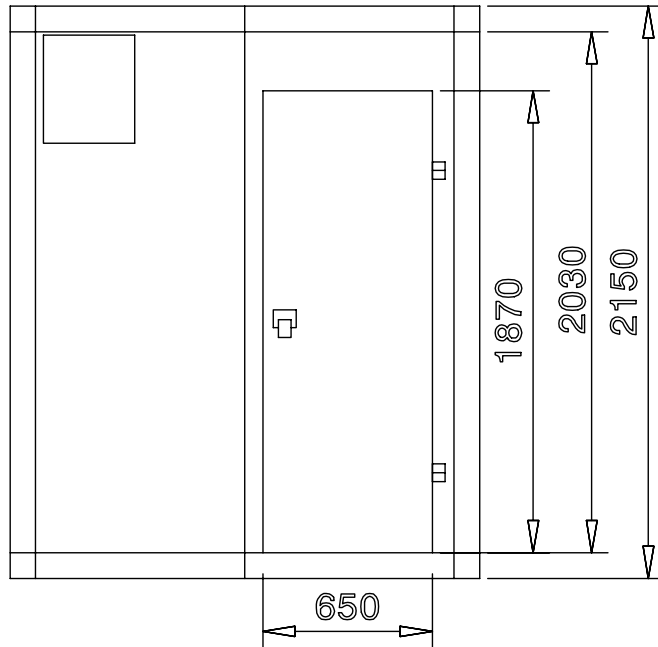
HFBA010

2009-10-06

Subject to change without notice

Electrolux Cold Rooms
 -2/+8° - 3,1/6,1 m³

102213



LEGEND EI - Electrical connection	CR16N054S 102213
	230 V, 1N, 50

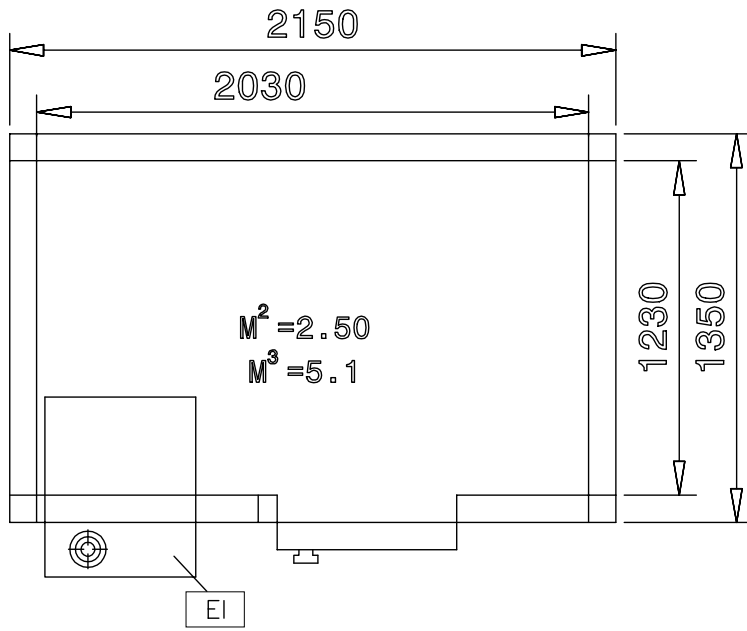
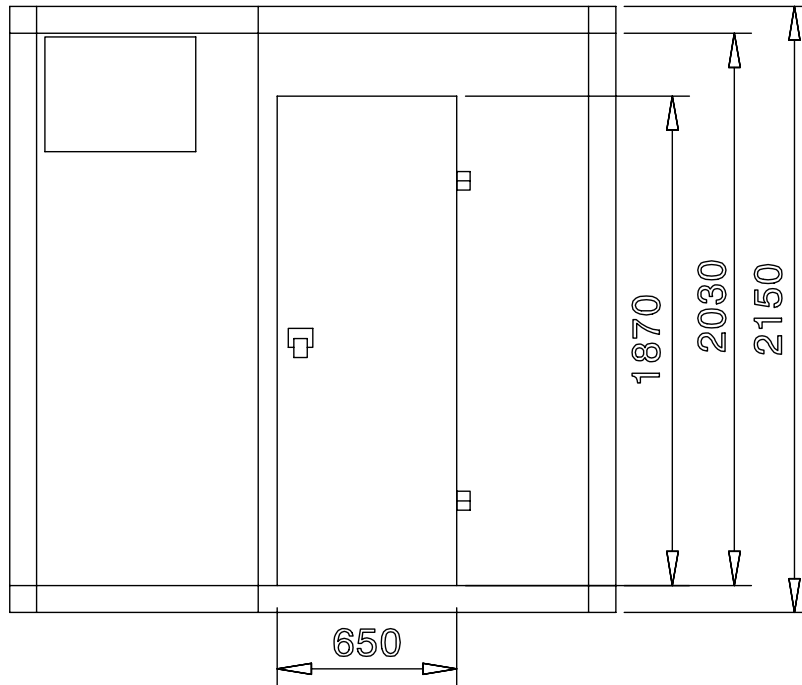
HFBA010

2009-10-06

Subject to change without notice

Electrolux Cold Rooms
-2/+8° - 3,1/6,1 m³

102217



LEGEND EI - Electrical connection	CR20N051S 102217
	230 V, 1N, 50

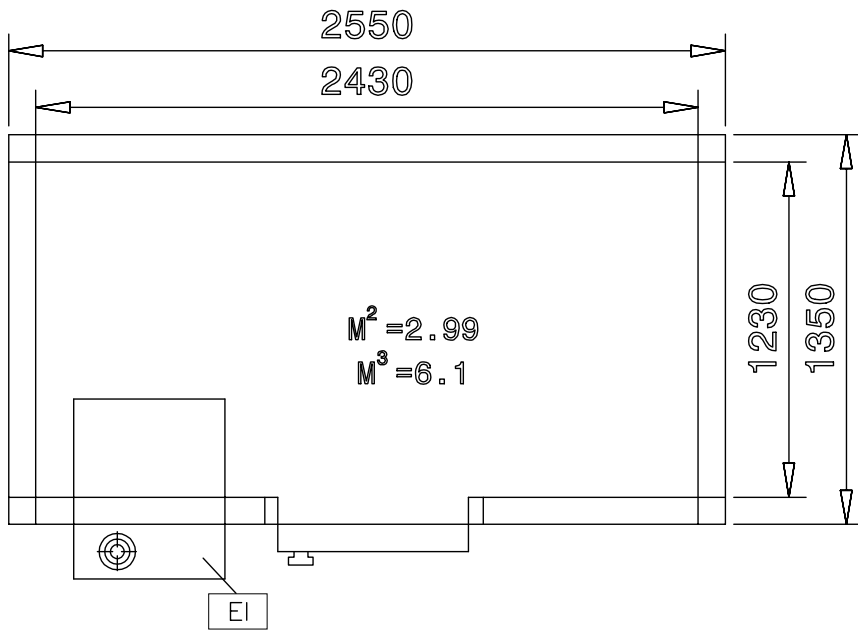
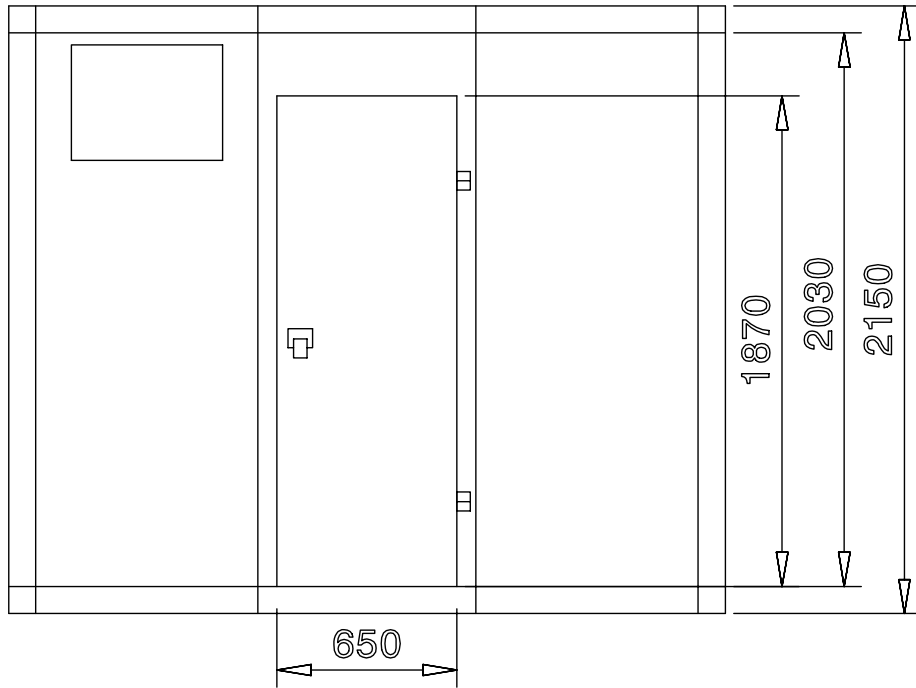
HFBA010

2009-10-06

Subject to change without notice

Electrolux Cold Rooms
-2/+8° - 3,1/6,1 m³

102234



LEGEND EI - Electrical connection	CR24N061S 102234
	230 V, 1N, 50

HFBA010

2009-10-06

Subject to change without notice