

Electrolux air-o-chill

Blast Chiller/Freezers 50kg 10GN1/1

Chilling means bringing the temperature of cooked food from +90°C to +3°C in a short time lap which does not allow bacterial growth. Electrolux Blast Chillers/Freezers reduce temperature from +90°C to +3°C at food core in less than 90 minutes and down to -18°C in less than four hours: the model detailed on this sheet performs this cycle up to a 50 kg full load. After the Blast Chilling/freezing process a holding cycle starts automatically to respectively maintain food at +3 and -18 °C. Blast frozen food has a solid 6 months/1 year shelf life without loss of flavour, nutritional values and weight. The opportunity to prepare in a single shot the food to be used in different times during the week enables a better work scheduling and therefore a sensible reduction in labour costs.



OPERATING MODES

- Cruise: the chiller automatically sets the parameters for the quickest and best chilling (it works by probe).
- Soft Chilling (Air temperature -2°C).
- Hard Chilling (Air temperature -20°C).
- Shock freezing (Low air temperature adjustable up to -41 °C).
- Holding at +3°C or -18°C (automatically activated at the end of each cycle).
- All the probe-driven cycles feature ARTE (Algorithm for Remaining Time Estimation) to make planning the activities easier.
- Holding at +3°C (automatically activated at the end of each cycle).
- Turbo cooling: the chiller works continuously at the desired temperature. Ideal for continuous production.
- It is possible to operate by time or

by probe. The control unit provides several operating settings: time/core temperature according to NF and UK regulations, time/air temperature/probe personalised according to national regulations, sterilizing cycle: UV lamps built-in (on request), 3 single sensor core temperature probes (as accessory), ideal for meats, automatic defrosting and manual defrosting. All parameters are programmable.

- 3-sensor core probe as standard and automatic detection of the core probe insertion.
- The control unit provides two large displays to read out: time, core temperature, cycle countdown, alarms, service information.
- Suitable for ambient temperatures up to 32°C.
- Two specialized cycles, P1 brings down the ice-cream temperature to -14°C (measured at the core when

probe is inserted). Once set temperature is reached, the temporary maintenance phase automatically begins, holding the -14°C temperature. P2 sets temperature to -36°C / -40°C for an indefinite amount of time, maintaining the ventilation active. Temperature is adjustable up to -40°C without interrupting the cycle, allowing ice-cream to be kept longer in the freezer.

- All information related to the different operating models are recorded: date, time, cycle, core temperature, holding temperature, HACCP accordance.
- An audible alarm starts when the cycle ends or terminates abnormally.



Electrolux

**Electrolux air-o-chill
Blast Chiller/Freezers 50kg 10GN1/1**

PERFORMANCE

- Code 727186 is suitable for 10 grids GN 1/1 (36 positions available with 20 mm pitch), 10 600 x 400 mm trays (36 positions available with 20 mm pitch) or 18 ice-cream basins of 5 kg each (h 125 x 165 x 360).
- Blast Chilling cycle: 50 kg from +90°C up to + 3°C in less than 90 minutes.
- Blast Freezing cycle : 50 kg from 90°C up to -18 °C in less than four hours.
- Chilling and freezing times can vary according to food quantity, density, moisture contents and type of containers. Chilling capacity according to NF* regulations is 36 kg.

CONSTRUCTION

- Internal and external finishing in 304 AISI stainless steel and back panel in stainless steel.
- High density polyurethane

insulation, 60 mm thickness, HCFC free.

- Environmentally friendly: R404a as refrigerant fluid.
- Developed and produced in ISO 9001 and ISO 14001 certified factory.
- Inner cell with fully rounded corners.
- Door equipped with removable magnetic gasket with hygienic design.
- All motors and fan waterproof protected IP20.
- Evaporator with anti rust protection.
- Ventilator (fan) swinging hinged panel for access to the evaporator for cleaning.
- Automatic heated door frame.
- Hot gas defrosting system.
- Solenoid valves.
- 1 thermostatic expansion valve.
- Feet 150 mm high.
- Stand alone printer as optional, built in on request.
- PC connection on request, gate RS 485.

INSTALLATION

- No water connections required.
- Waste can be plumbed into drain, but can also be collected in optional waste container.

*NF HYGIENE ALIMENTAIRE certifying authority : AFAQ AFNOR CERTIFICATION. Address:11, Avenue Francis de Pressense - 93571 Saint-Denis La Plaine Cedex - France. Conformity with regulation NF031. Certified guarantees: fitness for cleaning, thermal performance.

Installation diagram:

- C - Water drain
- I - Electrical connection
- Y - Connection for appliance lifting
- L - Remote electrical connection
- N - Cooling water inlet
- O - Cooling water outlet

	AOFP101C 726749	AOFP101CR 726750	AOFP101C2 727186
TECHNICAL DATA			
Type	Blast freezer - 50 kg	Blast freezer - 50 kg	Blast freezer - 50 kg
Productivity per cycle - kg.			
NF Regulations - chilling / freezing	36, 36	36, 36	36, 36
UK Guide lines - chilling / freezing	50, 50	50, 50	50, 50
Gross capacity (D.I.N. 8952) - l.	560	560	560
Cooling unit	Built-In	Remote	Built-In
Thermostat	Electronic	Electronic	Electronic
Thermometers	Digital	Digital	Digital
External dimensions - mm			
width	895	895	895
depth/with open doors	995, 1379	995	995, 1379
height	1730	1730	1730
Door hinges	Left	Left	Left
Trays type	GN 1/1; 600x400	GN 1/1; 600x400	GN 1/1; 600x400
Max load capacity - trays h 65 mm - n°	10	10	10
N° of positions/pitch, mm			
Compressor power - HP	2.9	;	2.9
Refrigerant type	R404a	R404a	R404a
Refrigerant quantity - g.	4500		4500
Refrigeration power - W	2540	6910	2540
Refrigerant power			
at evaporation temperature - °C	-30	-10	-30
Power - kW			
installed-electric	4.256	0.42	4.256
INCLUDED ACCESSORIES			
3-SENSOR PROBE FOR CHILLER+C/FREEZER	1	1	1
TRAY RACK FOR BC+BCF LW 50KG 10 GN1/1	1	1	1
ACCESSORIES			
1 SINGLE SENSOR PROBE CHILLER+C/FREEZER	880089	880089	880089
2 SINGLE SENSOR PROBES CHILLER+C/FREEZER	880096	880096	880096
AIR REMOTE UNIT FOR C/FREEZER LW 50KG		880030	
BANQUET RACK-30PLATES-65MM PITCH-10GN1/1	922015	922015	922015
KIT 3 SINGLE SENSOR PROBES FOR BC/BCF	880269	880269	880269
KIT 4 WHEELS FOR BLAST C/FREEZERS	880111		880111
KIT HACCP ADVANCED CONNECT. BC/BCF LW+CW	880183	880183	880183
KIT HACCP EKIS	922166	922166	922166
PAIR OF 1/1 GN AISI 304 S/S GRIDS	921101	921101	921101
PASTRY GRID(RILSAN)600X400MM-B/CHILLERS			880294
PASTRY(400X600)RACK+WHEELS-80MM,10 1/1LW	922066	922066	922066
PRINTER FOR HACCP BASIC VERSION	881532	881532	881532
RILSAN COATED GRID	881061	881061	881061
SLIDE-IN RACK SUPP.10 1/1 BC+BCF 50KG-LW	881028	881028	881028
TRAY RACK+WHEELS 10X1/1GN, 65MM PITCH	922006	922006	922006
TRAY RACK+WHEELS 8X1/1GN, 80MM PITCH	922009	922009	922009
TROLLEY FOR SLIDE-IN RACK 6&10X1/1GN	922004	922004	922004
WATER REMOTE UNIT FOR C/FREEZER LW 50KG		880033	

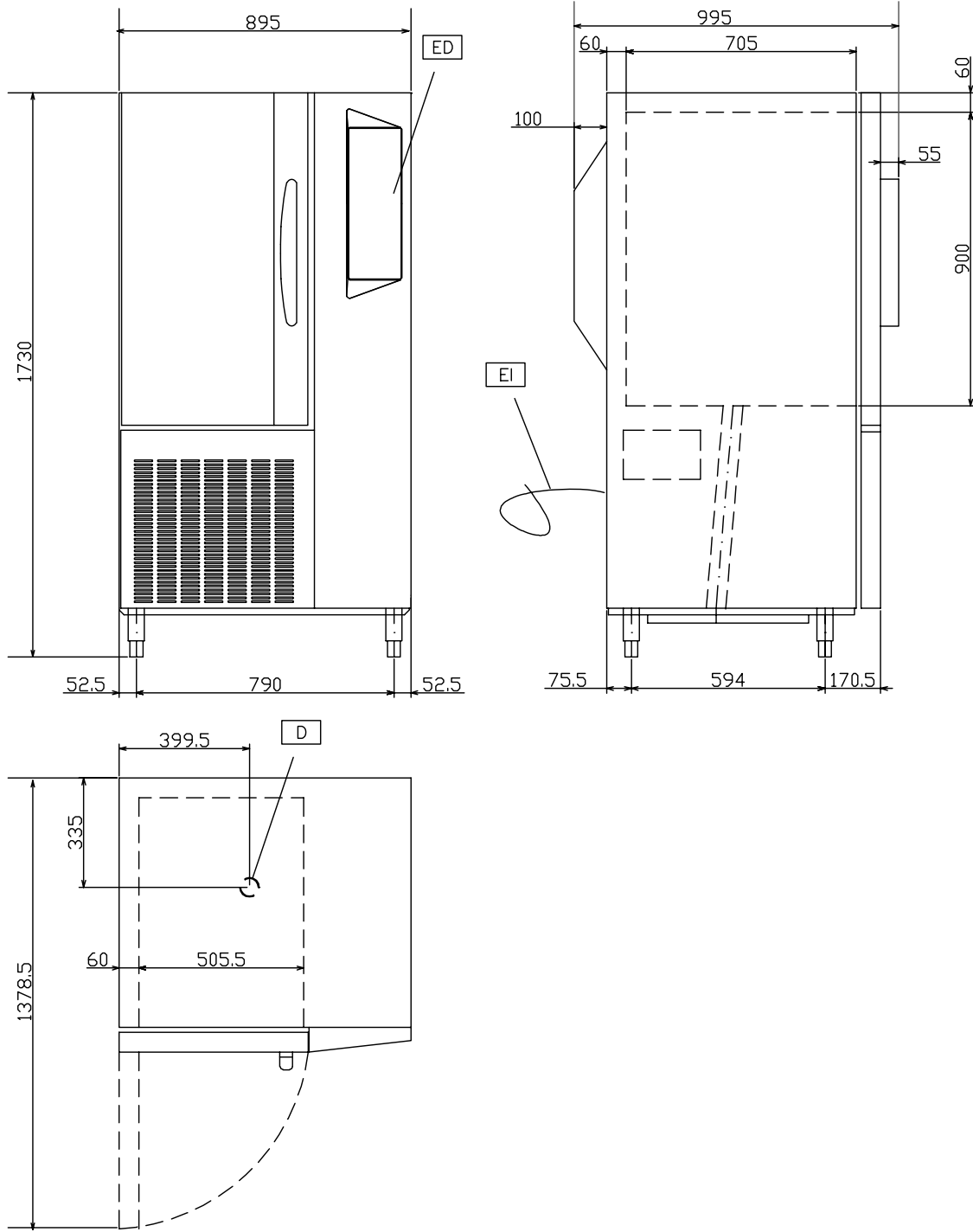
HDBB020

2009-10-06

Subject to change without notice

**Electrolux air-o-chill
Blast Chiller/Freezers 50kg 10GN1/1**

726749, 727186



LEGEND	AOFP101C 726749	AOFP101C2 727186
	D - Drain	●
EI - Electrical connection	400 V, 3, 50	400 V, 3, 50

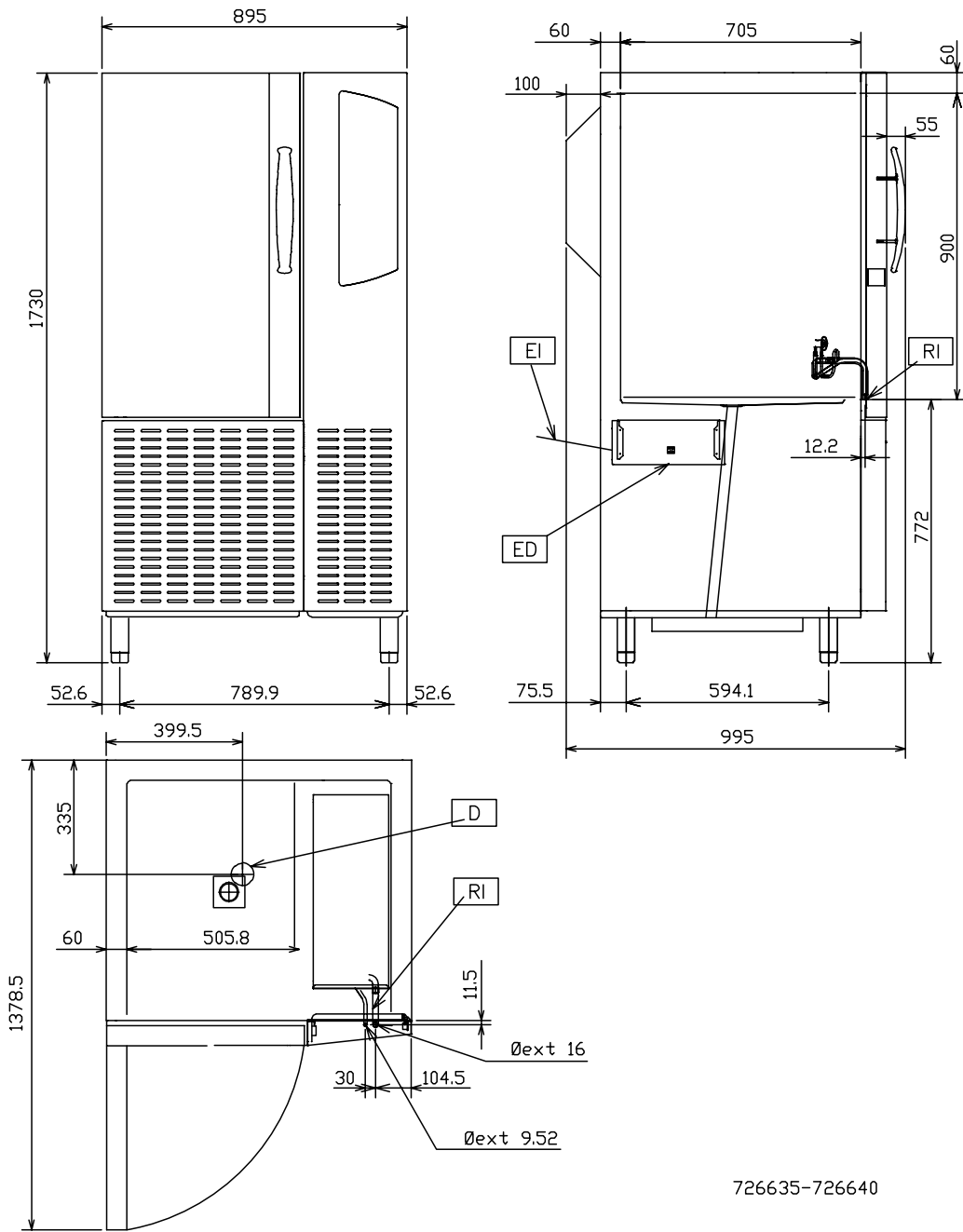
HDBB020

2009-10-06

Subject to change without notice

**Electrolux air-o-chill
Blast Chiller/Freezers 50kg 10GN1/1**

726750



HDBB020

2009-10-06

Subject to change without notice

LEGEND	D - Water drain	AOFP101CR 726750
	ED - Remote electrical connection	1/2"
	EI - Electrical connection	●
	RI - Remote refrigeration connection	230 V, 1N, 50
		●