

Electrolux air-o-chill

Blast Chillers 70 kg - 10 GN 2/1

Chilling means bringing the temperature of cooked food from +90°C to +3°C in a short time lap which does not allow bacterial growth. Electrolux Blast Chillers reduce temperature from +90°C to +3°C at food core in less than 90 minutes: the model detailed on this sheet performs this cycle up to a 70 kg full load. After the Blast Chilling a holding cycle starts automatically to maintain food at +3°C. Blast chilled food has a solid 5 days shelf life without loss of flavour, nutritional values and weight. The opportunity to prepare in a single shot the food to be used in different times during the week enables a better work scheduling and therefore a sensible reduction in labour costs.



OPERATING MODES

- Cruise: the chiller automatically sets the parameters for the quickest and best chilling (it works by probe).
- Soft Chilling (Air temperature -2°C).
- Hard Chilling (Air temperature -20°C).
- All the probe-driven cycles feature ARTE (Algorithm for Remaining Time Estimation) to make planning the activities easier.
- Holding at +3°C (automatically activated at the end of each cycle).
- Turbo cooling: the chiller works continuously at the desired temperature. Ideal for continuous production.
- It is possible to operate by time or by probe.

- The control unit provides several operating settings: time/core temperature according to NF and UK regulations, time/air temperature/probe personalised according to national regulations, sterilizing cycle: UV lamps built-in (on request), 3 single sensor core temperature probes (as accessory), ideal for meats, automatic defrosting and manual defrosting. All parameters are programmable.
- 3-sensor core probe as standard.
- The control unit provides two large displays to read out: time, core temperature, cycle countdown, alarms, service information.
- Two customizable cycles (P1 & P2) for each operating mode, allowing to set the time and air temperature. These programs can be converted into ice-cream specialized cycles (shape maintenance and holding).
- All information related to the

different operating models are recorded: date, time, cycle, core temperature, holding temperature, HACCP accordance.

- An audible alarm starts when the cycle ends or terminates abnormally.

PERFORMANCE

- Blast Chilling cycle: 70 kg from +90°C up to +3°C in less than 90 minutes.
- Chilling times can vary according to food quantity, density, moisture contents and type of containers. Chilling capacity according to NF* regulations is 44 kg.



Electrolux

**Electrolux air-o-chill
Blast Chillers 70 kg - 10 GN 2/1**

CONSTRUCTION

- Internal and external finishing in 304 AISI stainless steel and back panel in stainless steel.
- High density polyurethane insulation, 60 mm thickness, HCFC free.
- Environmentally friendly: R404a as refrigerant fluid.
- Developed and produced in ISO 9001 and ISO 14001 certified factory.
- Inner cell with fully rounded corners.
- Door equipped with removable magnetic gasket with hygienic design.
- Motors and fan waterproof protected IP20.
- Evaporator with antirust protection.
- Ventilator (fan) swinging hinged panel for access to the evaporator for cleaning.
- Automatic heated door frame.
- Solenoid valves.
- 1 thermostatic expansion valve.
- Feet 150 mm high.
- Stand alone printer as optional, built in on request.
- PC connection on request, gate RS 485.

INSTALLATION

- No water connections required.
- Waste water can be plumbed into drain, but can also be collected in an optional waste container.

*NF HYGIENE ALIMENTAIRE certifying authority : AFAQ AFNOR CERTIFICATION. Adress:11, Avenue Francis de Pressense - 93571 Saint-Denis La Plaine Cedex - France. Conformity with regulation NF031. Certified guarantees: fitness for cleaning, thermal performance.

Installation diagram:

- C - Water drain
- I - Electrical connection
- Y - Connection for appliance lifting
- L - Remote electrical connection
- N - Cooling water inlet
- O - Cooling water outlet

	AOCP102C 726695	AOCP102CR 726696
TECHNICAL DATA		
Type	Blast Chiller - 70 kg	Blast Chiller - 70 kg
Productivity per cycle - kg.		
NF Regulations - chilling / freezing	50.4	50.4
UK Guide lines - chilling / freezing	70	70
Cooling unit	Built-In	Remote
Control type	Electronic	Electronic
Thermostat	Electronic	Electronic
Thermometers	Digital	Digital
External dimensions - mm		
width	1250	1250
depth/with open doors	1148	1148
height	1730	1730
Door hinges	Left	Left
Trays type	GN 2/1	GN 2/1
Max load capacity - trays h 65 mm - n°	10	10
N° of positions/pitch, mm		
Compressor power - HP	3,9;	
Refrigerant type	R404a	R404a
Refrigerant quantity - g.	5480	
Refrigeration power - W	11319	9320
Refrigerant power at evaporation temperature - °C	-5	-10
Power - kW		
installed-electric	4.37	0.45
Net weight - kg.	320	290
INCLUDED ACCESSORIES		
3-SENSOR PROBE FOR CHILLER+C/FREEZER	1	1
SLIDE-IN RACK SUPP.10 2/1 BC+BCF 70KG-LW	1	1
ACCESSORIES		
1 SINGLE SENSOR PROBE CHILLER+C/FREEZER	880089	880089
2 SINGLE SENSOR PROBES CHILLER+C/FREEZER	880096	880096
AIR REMOTE UNIT CHILLER+C/FREEZER 70KG		880057
BANQUET RACK-51PLATES-75MM PITCH-10GN2/1	922052	922052
KIT 3 SINGLE SENSOR PROBES FOR BC/BCF	880269	880269
KIT 6 WHEELS FOR BLAST C/FREEZER 70KG-US	880141	
KIT HACCP ADVANCED CONNECT. BC/BCF LW+CW	880183	880183
KIT HACCP EKIS	922166	922166
PASTRY(400X600)RACK+WHEELS-80MM,10 2/1LW	922067	922067
PRINTER FOR HACCP BASIC VERSION	881532	881532
THERMAL COVER FOR 10 GN 2/1-LW	922048	922048
TRAY RACK+WHEELS 10 GN 2/1,65MM PITCH-LW	922043	922043
TRAY RACK+WHEELS 8 GN 2/1,80MM PITCH-LW	922045	922045
TROLLEY FOR SLIDE-IN RACK 10 GN 2/1-LW	922042	922042
WATER REMOTE UNIT CHILLER+C/FREEZER 70KG		880058

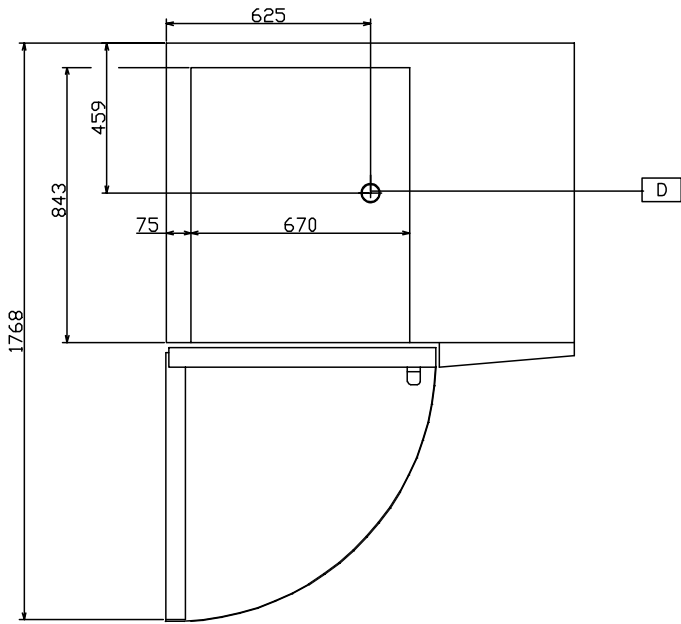
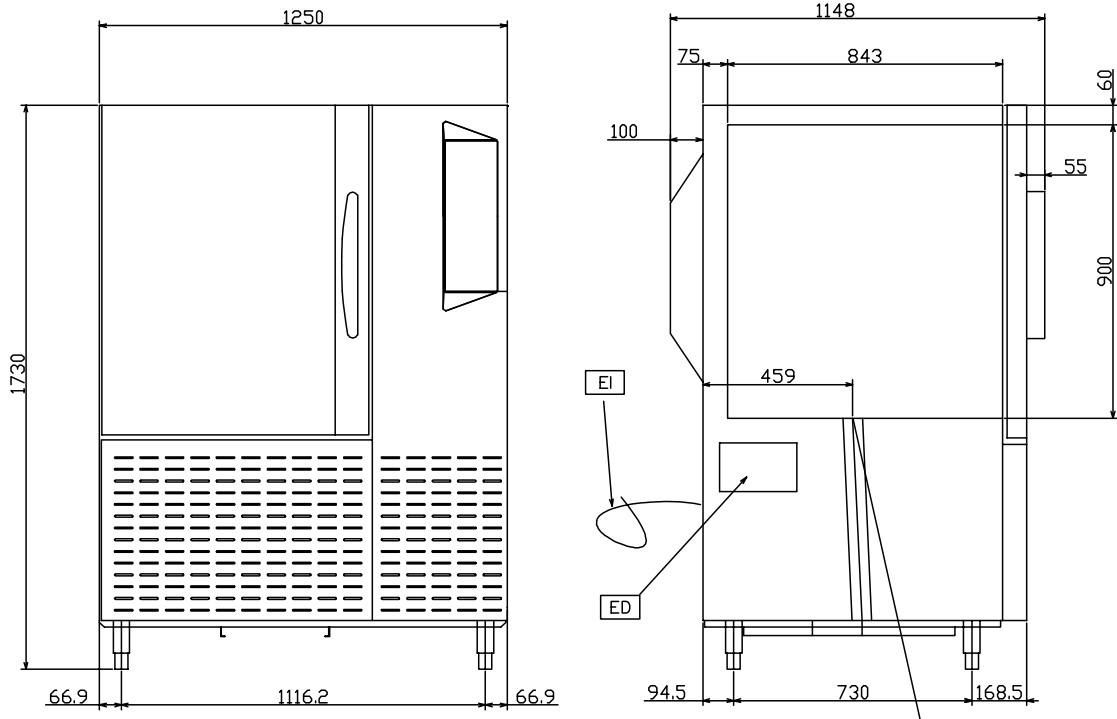
HDAB040

2009-10-06

Subject to change without notice

**Electrolux air-o-chill
Blast Chillers 70 kg - 10 GN 2/1**

726695



726308
726314

LEGEND D - Water drain EI - Electrical connection	AOCP102C
	726695
	1/2"
	400 V, 3N, 50

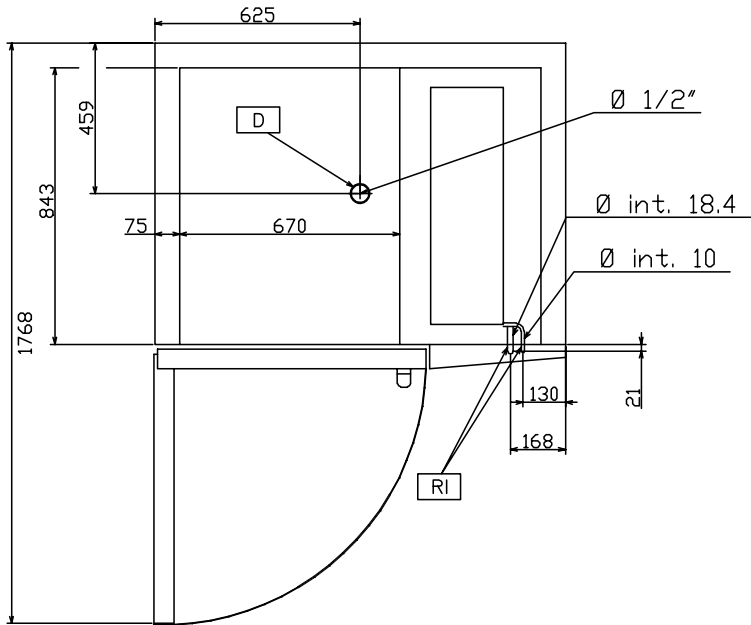
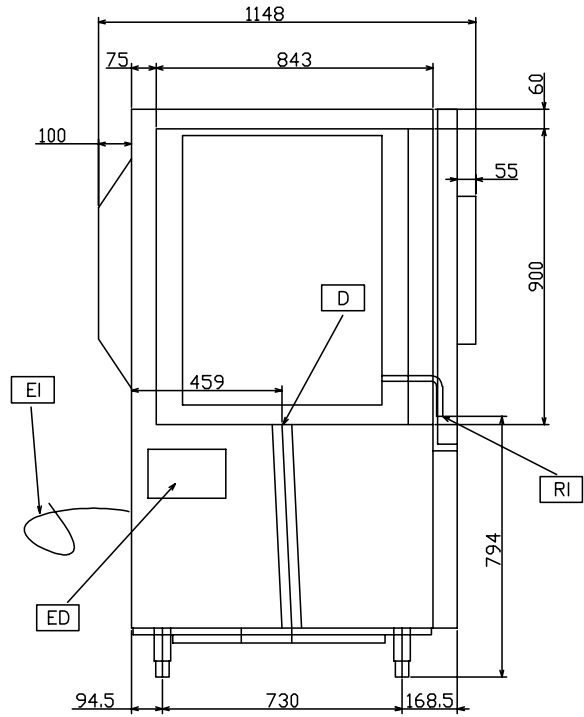
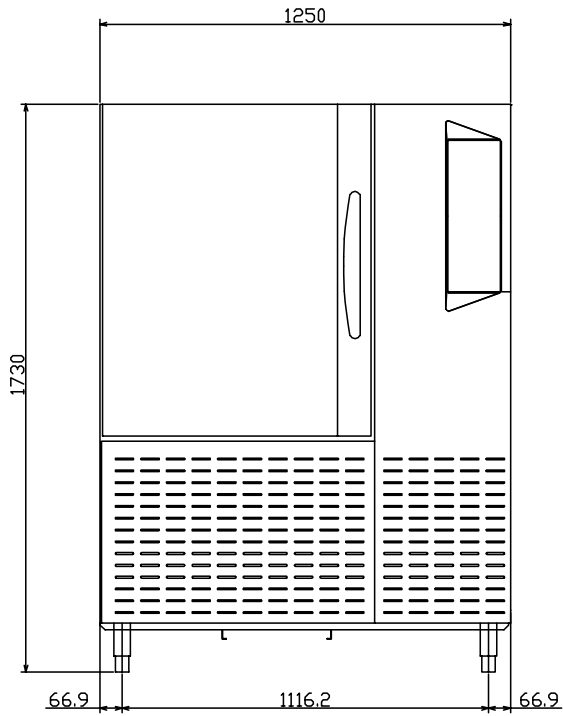
HDAB040

2009-10-06

Subject to change without notice

**Electrolux air-o-chill
Blast Chillers 70 kg - 10 GN 2/1**

726696



726309
726316

HDAB040

2009-10-06

Subject to change without notice

LEGEND D - Water drain ED - Remote electrical connection EI - Electrical connection RI - Remote refrigeration connection	AOCP102CR 726696
	1/2"
	●
	400 V, 3N, 50 ●