



Read  
and Retain  
for Future  
Reference

## Cooper Bussmann BU-905U-L-T Transmitter Quick Start Guide

Version 1.8

## About this Document

This document is the Cooper Bussmann BU-905U-L-T Wireless I/O Transmitter Unit Quick Start Guide and contains the following sections:

<b>Section</b>	<b>Read this section if you want to ...</b>
Basic steps for using your unit	Learn the basic steps for installing and using your unit.
Factory default configuration	Understand how the transmitter sends information to the receiver.
Unit components	Understand the different parts of your unit.
Antenna installation	Learn how to install an antenna with your unit.
Resetting factory defaults	Reset your unit to the original factory default settings.
Linking transmitter and receiver units	Link your units to work as a dedicated pair.
Safety information	Understand important safety information related to your unit. NOTE: You must read this information before installing your unit.
Specifications	Know technical information about your unit.

For more information, see the next sections.

## Basic Steps for Using Your Unit

This document describes how to configure your unit using the default factory configuration that lets you easily setup your network as a simple send/receive network using a dedicated pair of transmitter and receiver units.

The basic steps for using your unit are:

1. Connect the antenna, power supply and transducer signals using the instructions in this document. Power supply and transducer connection is described in the section Unit components and connections. Antenna connection is described in the section Antenna installation. For more information, see the **BU-905U-L Installation Manual**.
2. Reset the transmitter and receiver units to the factory default configurations.
3. Link the transmitter and receiver units to work as a dedicated pair.
4. Bench test your configuration before deploying.

**NOTE:** You can also configure your network using a user-defined customized configuration that lets you set specific information about your network. For more information on setting a user-defined customized configuration, see the **BU-905U-L User Manual** on the enclosed CD.

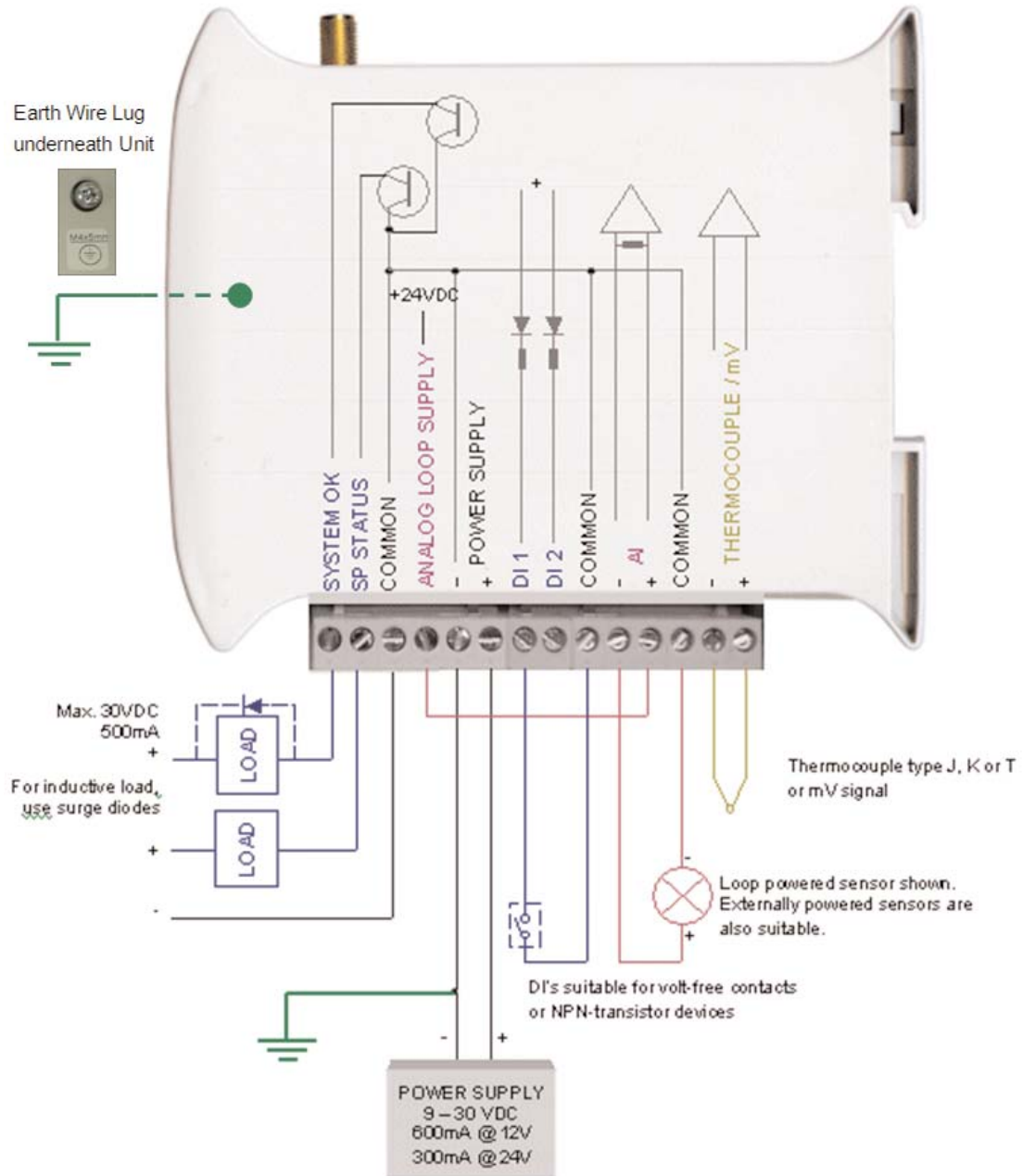
## Factory Default Configuration

When you configure the units using the configuration in this document, the inputs from the transmitter are sent to the outputs at the receiver as follows:

<b>BU-905U-L-T (Transmitter)</b>	<b>Sends</b>	<b>BU-905U-L-R (Receiver)</b>
Digital Input 1	⇒	Digital Output 1
Digital Input 2	⇒	Digital Output 2
Analogue Setpoint	⇒	Digital Output 3
Analogue input (4-20 mA)	⇒	Analog output
Thermocouple Input (Not used) & Setpoint Output (Local indication)		Communication Failure (Comes on if no messages from BU-905U-L-T)
System OK (On if system OK)		System OK (On if system OK)

## Unit Components and Connections

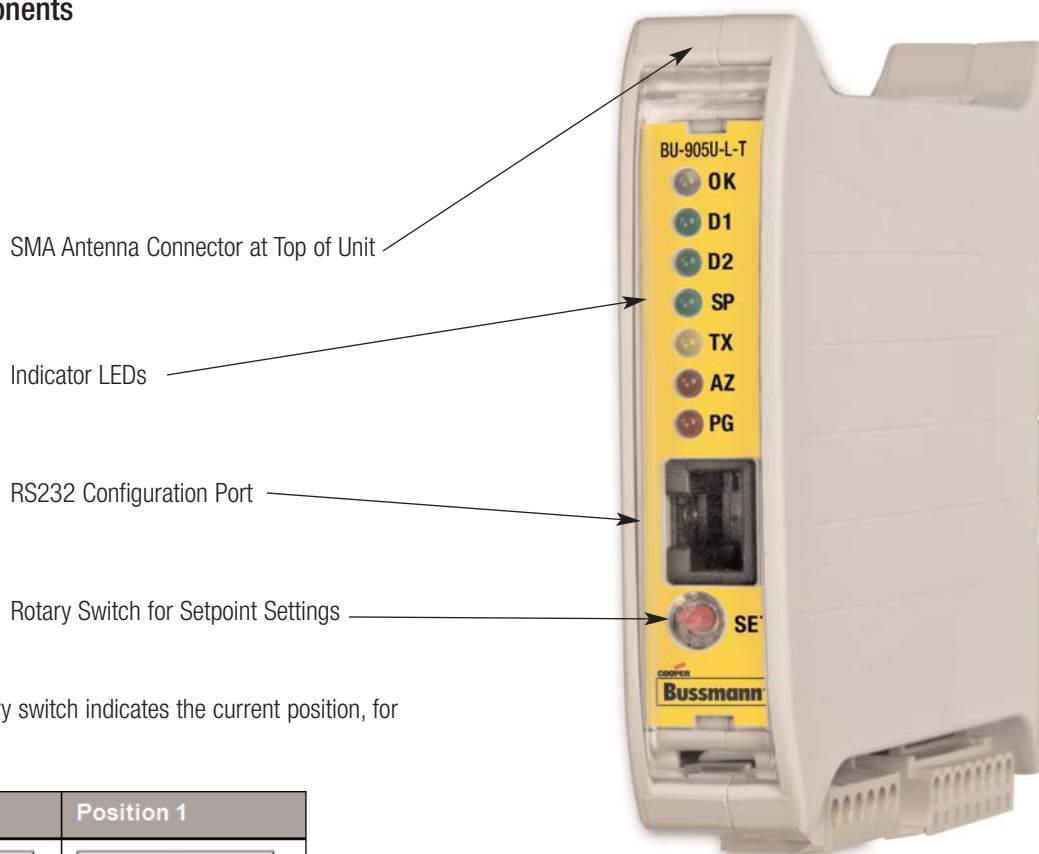
Your BU-905U-L-T Transmitter unit has the following components and terminal connections:



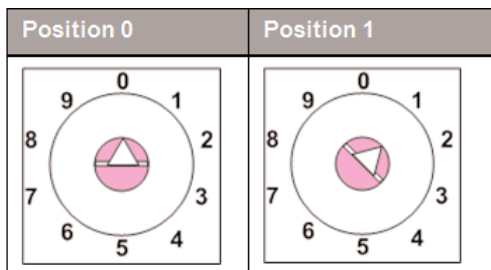
### IMPORTANT ELECTRICAL SAFETY INFORMATION

In order to comply with Electrical Safety Regulations, this module must be installed in an Electrical **AND** Fire enclosure. This enclosure may be a single or multiple enclosures. Access to the module is to be made by a Service Person only.

## Front Panel Components



The triangle on the rotary switch indicates the current position, for example:



**NOTE:** To avoid damaging the rotary switch, use a screwdriver to change the position.

The rotary switch uses the following setpoint levels:

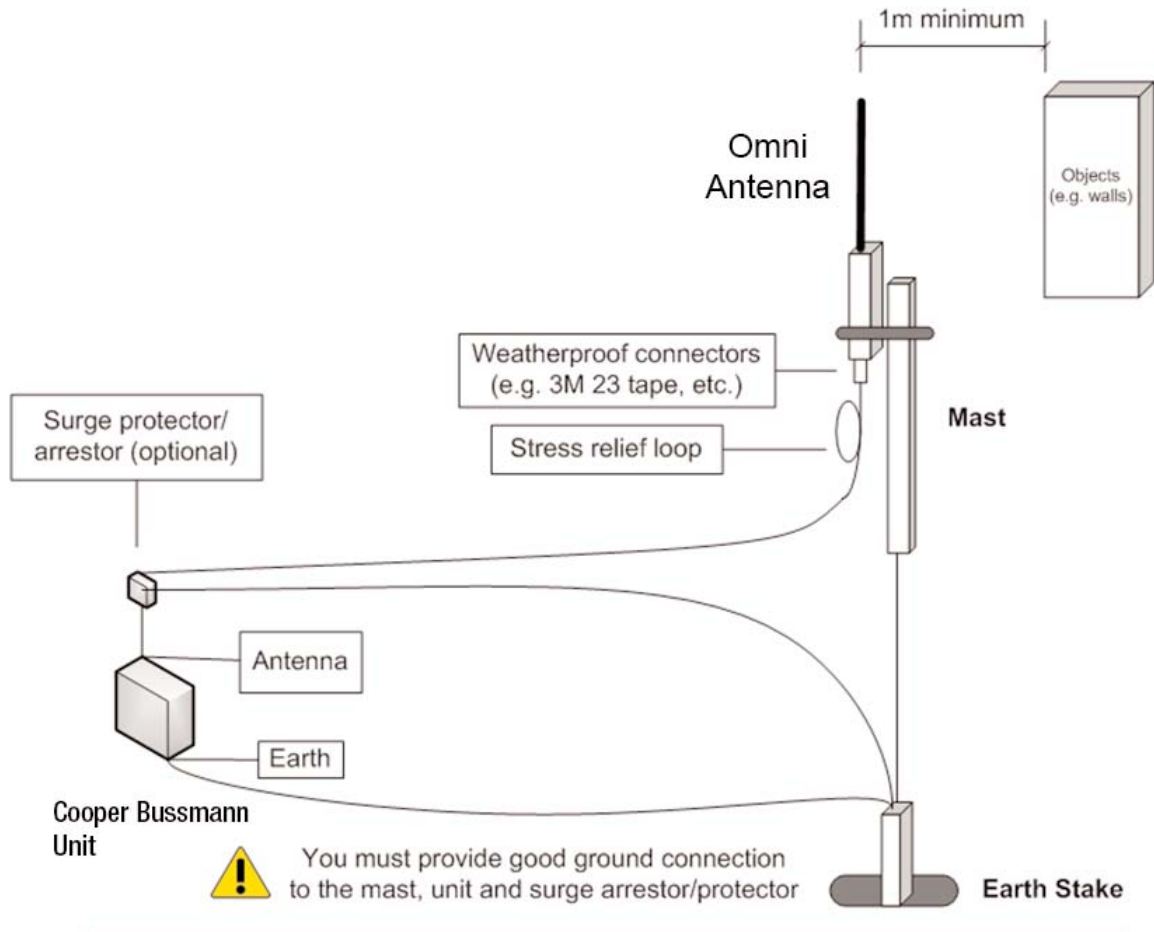
<u>Position</u>	<u>Lower Level (mA)</u>	<u>Upper Level (mA)</u>
1	4.8	6.4
2	6.4	8.0
3	8.0	9.6
4	9.6	11.2
5	11.2	12.8
6	12.8	14.4
7	14.4	16.0
8	16.0	17.6
9	17.6	19.2

## Cooper Bussmann BU-905U-L-T Transmitter Quick Start Guide

The LEDs on the front panel indicate the unit status:

<b>LED Status</b>	<b>Indicates</b>
None	No power supply.
OK LED Green	Current status of the unit OK.
OK LED Red	Fault condition detected in unit.
TX LED Flashes	Transmitting Message.
PG LED on	Configuration Cable Connected.
Input LED ON	Input LEDs (i.e., D1,D2, SP, AZ.) light when the corresponding input is active.
	D1   Digital Input 1 is active (Low).
	D2   Digital Input 2 is active.
	SP   Analog Setpoint is active.
	AZ   Analog Input is zero mA
All LEDs medium flash	Medium speed flash (1.6Hz) indicates the module is half-way through the configuration process. Medium flash also happens when you set the rotary switch to position 0 when powering on the unit.

### Antenna Installation



**!** You must provide good ground connection to the mast, unit and surge arrester/protector

**!** You must install the aerial above all local obstructions.

## Resetting Your Unit to Factory Defaults

To reset the default factory configuration:

1. Set the RSSI rotary switch to position 0 using a screwdriver.
2. Power on the BU-905U-L-T transmitter.
3. The BU-905U-L-T transmitter flashes all LEDs at medium flash (i.e., 1.6Hz).

**NOTE:** If the LEDs do not flash, you must repeat steps 1 and 2 until the LEDs flash before continuing.

4. Set the RSSI rotary switch to another position (i.e. position 1) within 5 seconds.
5. Set the RSSI rotary switch to position 0 within another 5 seconds.
6. The BU-905U-L-T transmitter lights all LEDs for 2 seconds before returning to normal operation.

**NOTE:** If the LEDs do not light for 2 seconds, you must repeat the process from step 1 until the LEDs light before continuing.

7. You can now link the transmitter and receiver units.

## Linking Your Transmitter and Receiver Units

You must reset the transmitter unit to factory defaults (to disable encryption) before linking the transmitter and receiver units. For more information, see the previous section.

**NOTE:** You must complete the linking process in 60 seconds.

To link the transmitter and receiver units:

1. Press and hold down the RSSI Pushbutton on the receiver.
2. Power on the receiver while holding down the RSSI Pushbutton
3. Release the RSSI Pushbutton as soon as the Receiver LEDs flash (within 5 seconds of powering the receiver).
4. The receiver will flash all LEDs for a maximum 60 seconds while it tries to link to the transmitter.
5. Power on the transmitter. The transmitter sends a special "Link" message to allow the receiver to recognize the transmitter.
6. When the units link, the receiver lights all LEDs for 2 seconds before returning to normal operation.

**NOTE:** If the receiver LEDs continue flashing within the 60 seconds, the units are not linked and you should retry the linking process by powering the transmitter off and on again. If you exceed the 60 seconds, you must restart the linking process from step 1.

7. You can now bench test your configuration before deploying.

## Safety Information

Thank you for selecting the BU-905U-L-T transmitter for your telemetry needs. We trust it will give you many years of valuable service. To ensure your BU-905U-L transmitter enjoys a long life, double-check ALL your connections with the user's manual before powering on the unit.

**WARNING:** Incorrect termination of supply wires may cause internal damage and will void warranty.

Exposure to RF energy is an important safety consideration. The FCC has adopted a safety standard for human exposure to radio frequency electromagnetic energy emitted by FCC regulated equipment as a result of its actions in Docket 93-62 and OET Bulletin 65 Edition 97-01.

### FCC Notice when used in USA: 905U-L Wireless I/O Module

<b>Part</b>	<b>Additional information</b>
-------------	-------------------------------

- |    |  |
|----|--|
| 15 | This device has been tested and found to comply with the limits for a Class B digital device, pursuant to Part15 of the FCC rules (Code of Federal Regulations 47CFR Part 15). Operation is subject to the condition that this device does not cause harmful interference. |
| 90 | This device has been type accepted for operation by the FCC in accordance with Part90 of the FCC rules (47CFR Part 90). See the label on the unit for the specific FCC ID and any other certification designations.  |

## Cooper Bussmann BU-905U-L-T Transmitter Quick Start Guide

### Industry Canada: BU-905U-L Wireless I/O Module

RSS-119 - This device has been type accepted for operation by Industry Canada in accordance with RSS-119 of the Industry Canada rules. See the label on the unit for the specific Industry Canada certification number and any other certification designations.

**NOTE:** Any changes or modifications not expressly approved by Cooper Bussmann P/L could void the user's authority to operate this equipment.

To operate this equipment legally the user must obtain a radio-operating license from the government agency. This is done so the government can coordinate radio users in order to minimize interference.

### Safety information - FCC Notice

This device complies with Part 15.247 of the FCC Rules. Operation is subject to the following two conditions:

- This device may not cause harmful interference; and
- This device must accept any interference received, including interference that may cause undesired operation

NOTE: This equipment is suitable for use in Class 1 Division 2 groups A, B and C or non-hazardous locations only.

### Unit Specifications

<u>Input/Output</u>	<u>Number</u>	<u>Additional Information</u>
Digital inputs	2	Dry-contact digital inputs slow-pulsed at 10Hz. All inputs are suitable for voltage free contacts (e.g., mechanical switches) or NPN transistor devices (e.g., electronic proximity switches). <b>NOTE:</b> PNP transistor device inputs are NOT suitable.
Analog Inputs	1	0-20mA differential input; 16-bit resolution, 0.1% accuracy, 10 ohm input impedance.
Thermocouple Inputs	1	J, K or T type thermocouple with on-board cold-junction compensation. Cold junction compensation accuracy $\pm 1^\circ$ over ambient temp range: $-40^\circ$ to $+70^\circ\text{C}$ .
Power supply	1	9-30Vdc 1 Amp CSA certified Class 2 power supply. For use in Class I Div 2 hazardous locations, the power supply must be approved for Class I Div 2 use. <b>WARNING:</b> Explosion hazard - do not disconnect while circuit is live unless area is known to be non-hazardous.
Transmitter	1	1 Watt Frequency Hopping Spread Spectrum (FHSS) transmitter.
Frequency	902-928 MHz	Actual frequency range depends on country.

### Document information

Quick Start Guide Cooper Bussmann BU-905U-L-T Wireless I/O Transmitter Unit Version 1.8

### Cooper Bussmann Contact Details

Telephone	636-527-1270
Fax	636-527-1607
E-mail	<a href="mailto:FuseTech@cooperindustries.com">FuseTech@cooperindustries.com</a>
Website	<a href="http://www.cooperbussmann.com">www.cooperbussmann.com</a>

## Customer Assistance

### Customer Satisfaction Team

Available to answer questions regarding Cooper Bussmann products & services Monday-Friday, 8:00 a.m. – 4:30 p.m. for all US time zones.

Contact:

- Toll-free phone: 855-287-7626 (855-BUSSMANN)
- Toll-free fax: 800-544-2570
- E-mail: [busscustsat@cooperindustries.com](mailto:busscustsat@cooperindustries.com)

### Emergency and After-Hours Orders

Next flight out or will call shipment for time-critical needs. Customers pay only standard product price, rush freight charges, & modest emergency service fee. Place these orders through the Customer Satisfaction Team during regular business hours. For after-hours, contact:

- Phone: 314-995-1342

### C<sup>3</sup> – the Enhanced, Online Cooper Customer Center

Provides real time product availability, net pricing, order status & shipment tracking across six Cooper divisions: B-line, Bussmann, Crouse-Hinds, Lighting, Power Systems & Wiring Devices. Available at:

- [www.cooperc3.com](http://www.cooperc3.com)
- 877-995-5955 for log-in assistance

### Application Engineering

Technical assistance is available to all customers. Staffed by degreed engineers, this application support is available Monday-Friday, 8:00 a.m. – 5:00 p.m. CT  
Contact:

- Phone: 636-527-1270
- Fax: 636-527-1607
- E-mail: [fusetech@cooperindustries.com](mailto:fusetech@cooperindustries.com)
- Live Chat: [www.cooperbussmann.com](http://www.cooperbussmann.com)

### Online Resources

Visit [www.cooperbussmann.com](http://www.cooperbussmann.com) for the following resources:

- Product search & cross-reference
- Product & technical materials
- Solutions centers for information on topical issues including arc-flash, selective coordination & short-circuit current rating
- Technical tools, like our arc-flash calculator
- Where to purchase Cooper Bussmann product

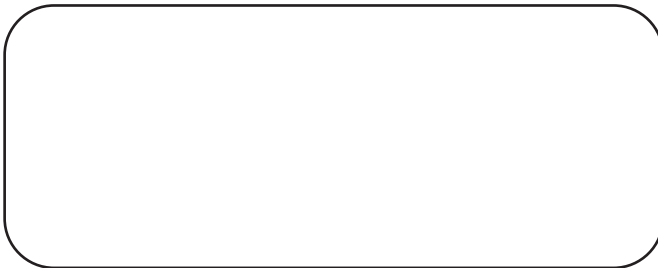
### Services

Cooper Bussmann Services team provides engineering expertise in electrical system reviews, electrical safety training & component testing for Agency compliance.  
Contact:

- Phone: 636-207-3294
- E-mail: [services@cooperindustries.com](mailto:services@cooperindustries.com)

**Cooper Bussmann**  
St. Louis, MO 63178  
855.287.7626 (855-BUSSMANN)  
[www.cooperbussmann.com](http://www.cooperbussmann.com)

Your Authorized Cooper Bussmann Distributor is:



©2011 Cooper Bussmann  
[www.cooperbussmann.com](http://www.cooperbussmann.com)

PDF Only

[www.cooperbussmann.com/BussmannWirelessResources](http://www.cooperbussmann.com/BussmannWirelessResources)

**COOPER Bussmann**

3A1577Rev1.8