

Refrigerators - 4 compartments

Electrolux Professional have designed and produced a complete range of refrigerated tables, that combines the dual function of worktop and refrigerated table. This versatility allows notable savings in space whilst offering functional and modular solutions to kitchen requirements.



728297

- 150mm height-adjustable feet.
- Internal and external doors, front and side panels and worktop in 304 AISI stainless steel.
- Rounded internal corners for ease of cleaning.
- Refrigerated compartment designed to accommodate GN 1/1 containers.
- Digital control panel.

- Suitable to operate in ambient temperatures up to +43°C. Temperature range: -2/+10 °C.
- Forced air circulation for rapid cooling and an even temperature distribution.
- Drain outlet and automatic evaporation of defrost water.
- Access to all components from the front.

- In compliance with H requirements.
- C.F.C. and H.C.F.C. free.
- High-density expanded polyurethane foam 50 mm in thickness with cyclopentane injection.
- Developed and produced in ISO 9001 and ISO 14001 certified factory.



Electrolux

**Electrolux concept counters
Refrigerators - 4 compartments**

	HB4P 728243	HB3P2C 728244	HB2P4C 728245	HB8C 728246	HB4PNT 727107
TECHNICAL DATA					
Operating temperature - min/max °C	-2/10	-2/10	-2/10	-2/10	-2/10
Operating mode	Ventilated	Ventilated	Ventilated	Ventilated	Ventilated
Gross capacity (D.I.N. 8952) - l.	560	560	560	560	560
Cooling unit	Built-In	Built-In	Built-In	Built-In	Built-In
External dimensions - mm					
width	2204	2204	2204	2204	2204
depth/with open doors	700, 1102	700, 1102	700, 1102	700, 1102	700, 1098
height	850	850	850	850	800
Internal dimensions - mm					
depth	580	580	580	580	580
height	543	543	543	543	543
Worktop type	Stainless Steel	Stainless Steel	Stainless Steel	Stainless Steel	none
No worktop					●
Min/Max internal humidity - %	57	57	57	57	57
N° of drawers		2x1/2	4x1/2	8x1/2	
N° and type of door	4	3	2		4
Door hinges	2 Left+2 Right	2 Left+1 Right	1 Left+1 Right		2 Left+2 Right
Compressor power - HP	1/4	1/4	1/4	1/4	1/4
N° defrost in 24 hrs.	4/20	4/20	4/20	4/20	4/20
Refrigerant type	R404a	R404a	R404a	R404a	R404a
Refrigerant quantity - g.	210	210	210	210	210
Refrigeration power - W	343	343	343	343	343
Refrigerant power at evaporation temperature - °C	-20	-20		-20	-20
Power - kW					
installed-electric	0.34	0.34	0.34	0.34	0.34
Net weight - kg.	186	194	198	214	186
Power supply - V, phases, Hz	230 V, 1N, 50	230 V, 1N, 50	230 V, 1N, 50	230 V, 1N, 50	230 V, 1N, 50
INCLUDED ACCESSORIES					
1/1 GN GREY "RILSAN" GRID	4	3	2		4
ACCESSORIES					
2x1/2 DRAWER KIT FOR REFRIGERATED TABLES	880118	880118	880118		880118
3x1/3 DRAWER KIT FOR REFRIGERATED TABLES	880115	880115	880115	880115	880115
DRAWER KIT-1/3+2/3 (BOTTLES)-REF.TABLES	880126	880126	880126	880126	880126
KIT 2 S/S GRIDS GN1/1 FOR REFRIG.TABLES	880139	880139	880139		880139
KIT 4 WHEELS (2 W/BRAKE)+4 (40MM)SPACERS	880025	880025	880025	880025	880025
KIT DOOR REVERSIBILITY FOR REF.TABLES	880046	880046	880046		880046
KIT HACCP EKIS	922166	922166	922166	922166	922166
KIT INTEGRATED HACCP-DIG. REFR. (IR33)	880205	880205	880205	880205	880205
LOCK KIT FOR REFRIGERATED TABLES	880130	880130	880130	880130	880130
PRINTER FOR HACCP BASIC VERSION REFRIG.	881457	881457	881457	881457	881457
S/S STRUCTURE TO SUPPORT 6 GRIDS (R+L)	880140	880140	880140		880140
WORKTOP FOR 4 DOOR REFRIGERATED TABLES					880198
WORKTOP+UPSTAND FOR 4 DOOR REFRIG.TABLE					880116

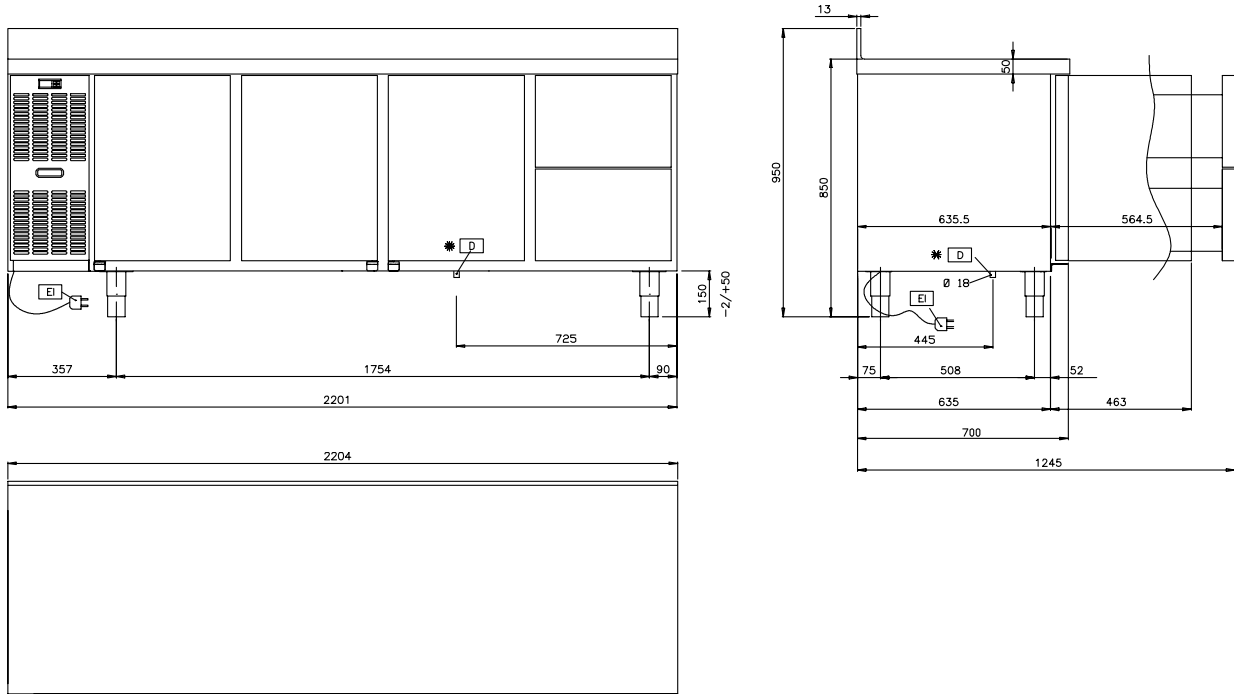
HBAC070

2009-10-06

Subject to change without notice

**Electrolux concept counters
Refrigerators - 4 compartments**

728243, 728246, 728245, 728244



HBAC070

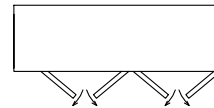
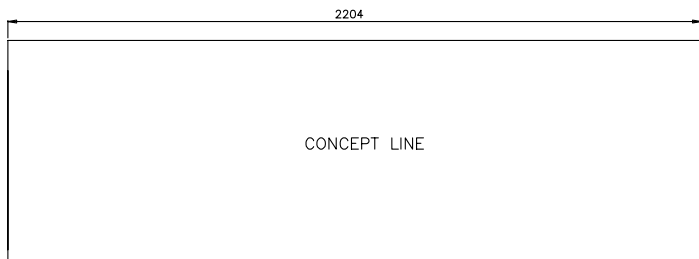
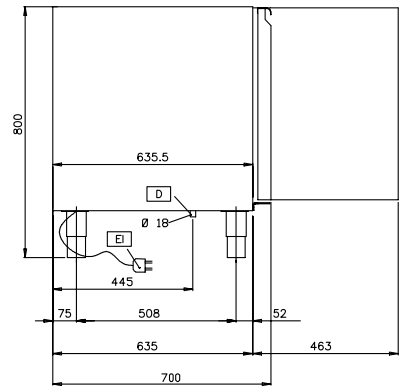
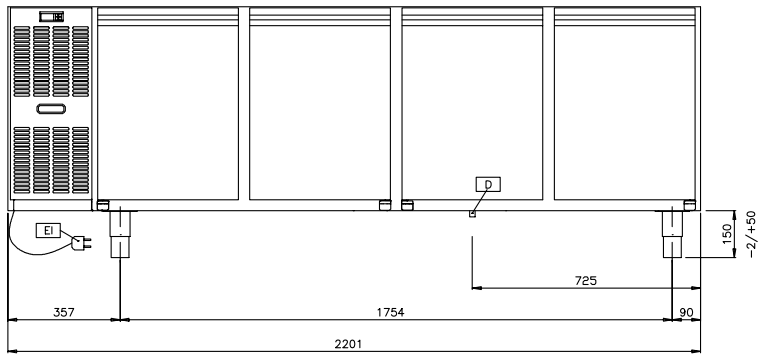
2009-10-06

	HB4P 728243	HB3P2C 728244	HB2P4C 728245	HB8C 728246
LEGEND				
D - Water drain	16mm	16mm	16mm	16mm
EI - Electrical connection	230 V, 1N, 50	230 V, 1N, 50	230 V, 1N, 50	230 V, 1N, 50

Subject to change without notice

**Electrolux concept counters
Refrigerators - 4 compartments**

727107



HBAC070

2009-10-06

Subject to change without notice

LEGEND D - Water drain EI - Electrical connection	HB4PNT 727107
	16mm
	230 V, 1N, 50