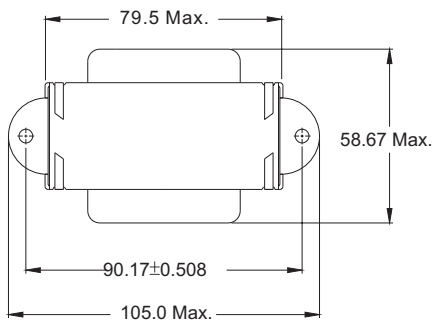
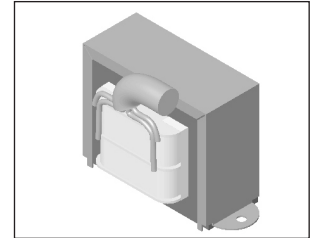
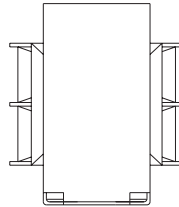
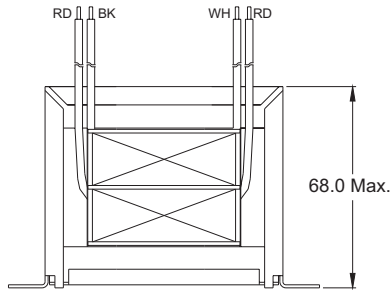


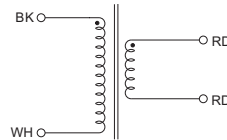
Si-Steel Transformers

El Series (Lead Wire)

Mechanical Dimension : Unit : mm



Schematic:



Used on :

- Air conditioner
- Refrigerator & freezer
- Heat Pump
- Washer
- Dishwasher
- Auto Industrial control
- For UPS

Electrical Characteristics :

■ Ambient Temperature at 25°C

PART NO.	INPUT VOLTAGE(Vac)	OUTPUT VOLTAGE(Vac)		DCR(Ω) Max.		POWER(W)	EXCITING CURRENT (mA)Max.	TEMPERATURE RISE(°C) Max.
		Load	No Load	BK-WH	RD-RD			
SEL7632V	115,60Hz	24.2@4.0A	26.5	4.6	0.35	96	180	65



DELTA ELECTRONICS, INC.

(TAOYUAN PLANT CPBG) 252, SAN YING ROAD, KUEISAN INDUSTRIAL ZONE, TAOYUAN SHIEN, 333, TAIWAN, R.O.C.

TEL: 886-3-3591968; FAX: 886-3-3591991

<http://www.deltaww.com>