



4472N Mega Top

Front-Breathing Self-Contained Compact Mega Top Refrigerators

Project _____
 Item _____
 Quantity _____
 CSI Section 11400
 Approved _____
 Date _____

4472N Mega Top Front-Breathing Self-Contained Compact Mega Top Refrigerators

Models

- 4472N-18M Three section with doors eighteen pan capacity
- D4472N-18M Three section with drawers eighteen pan capacity
- 4472N-24M Three section with doors twenty-four pan capacity
- D4472N-24M Three section with drawers twenty-four pan capacity
- 4472N-30M Three section with doors thirty pan capacity
- D4472N-30M Three section with drawers thirty pan capacity



4472N-30M

Standard Features

- Patented air screen ensures product stays cold without drying it out
- All 4400 Series units are 100% front breathing, which allows the unit to be pushed against a wall or built into a cabinet or an existing line up
- Durable, rugged stainless steel sides, top and front
- Features Delfield's exclusive ABS interior (on sides). ABS is extremely durable - it won't dent, chip or corrode and is backed by a limited lifetime warranty
- Delfield supplies 1/6 size pans and adapter bars for top opening
- Mega top refrigerators are standard with 8" wide, dishwasher safe polyethylene cutting board treated with antimicrobial agent
- "D" prefix models feature Delfield's new drawer system. Drawers are backed by a 10-year warranty on the track assembly
- Environmentally friendly R404A refrigerant
- High density foamed in place environmentally friendly, Kyoto Protocol Compliant, Non ODP (Ozone Depletion Potential), Non GWP (Global Warming Potential) polyurethane keeps energy costs low
- Black recessed quick grip handle
- Standard on 2" casters for easy cleaning and installation
- 7' cord and plug supplied
- Cord spring relief - prevents cord rollover
- One epoxy coated wire shelf standard, installed per door section
- ACT solid state electronic control
- One year parts and 90 day labor standard warranty.

Options & Accessories

- Flat lift off cover
 - 18" wide single tier overshef
 - Stainless steel finish on back
 - Plastic laminate on front
 - Additional wire shelves
 - Door lock
 - Exterior thermometer
 - Glass door(s)
 - *220V/50Hertz electrical system
- *Inclusion of this option will alter electrical specifications of the unit.

Specifications

Exterior top is one-piece 22-gauge stainless steel with integral 2.12" (5.1cm) square nosing on the front. Telescoping lid is constructed of 20-gauge stainless steel. Top opening can accept 18, 24 or 30 1/6 size plastic pans 4"-6" (10.1cm-15.2cm) deep. Adapter bars and 1/6 size pans are supplied by Delfield. Temperature in top openings maintains 33°F (1°C) to 41°F (5°C), with pans recessed 2.5" (6.4cm) at 86°F ambient room temperature, meeting NSF 7 requirements. One 72" x 8" x .5" (183cm x 20.3cm x 1.3cm) polyethylene cutting board treated with antimicrobial agent is mounted on the top at the front edge.

Exterior back and bottom are two-piece 24-gauge galvanized steel. Exterior ends are stainless steel.

Interior sides are thermoformed ABS plastic with shelf supports. Base is fully insulated with high-density foamed in place environmentally friendly, Kyoto Protocol Compliant, Non ODP (Ozone Depletion Potential), Non GWP (Global Warming Potential) polyurethane.

Refrigeration system uses HFC-404A refrigerant. Compressor is 1/2 H.P., with condenser coil and hot gas condensate evaporator mounted on rear of the cabinet. Evaporator coils and temperature control are located on the interior rear wall of the cabinet. Refrigerant flow is controlled by a capillary tube.

Cabinet maintains an interior cabinet temperature of 36°F to 40°F (2°C to 4°C).

ACT control. ACT electronic, solid state control, mounted on the exterior rear of the cabinet, allows unit to maintain precise temperatures in heavy duty conditions.

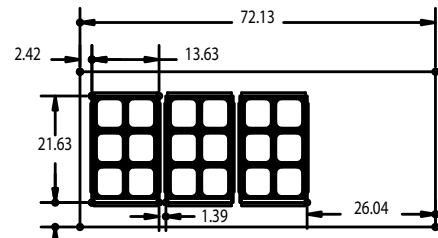
Electrical connections are 115 volt, 60 Hertz, single phase. Unit has a 7' (2.1m) long electrical cord and NEMA 5-15P plug.

Casters: Equipment is mounted on 2" (5.08cm) diameter plate casters with front two locking. Equipment clearance above the floor is 2.5" (6.35cm).

Doors have a 24-gauge stainless steel exterior, with thermoformed ABS plastic interior liner. Cabinet has one adjustable epoxy-coated wire shelf per door opening.

Drawers have 24-gauge stainless steel exterior with thermoformed ABS plastic interior liner. Drawer frames are 12-gauge stainless steel. Drawer slides are 11-gauge stainless steel with Delrin bearings. Each top drawer holds one 12" x 20" (30.5cm x 50.8cm) pan and three 1/9 size pans 4"-6" (10.1cm-15.2cm) deep. Each bottom drawer holds one 12" x 20" (30.5cm x 50.8cm) pan and three 1/9 size pans 4" (10.1cm) deep. Pans are supplied by others.





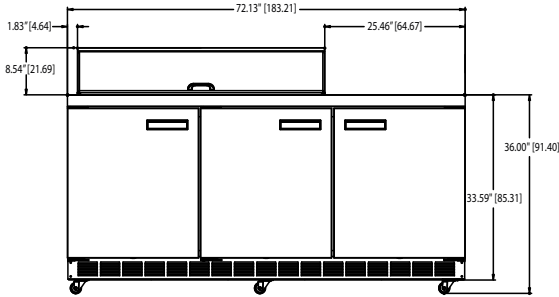
4472N-18M/D4472N-18M
Pan Cutout Configurations

INSTALLATION NOTE:

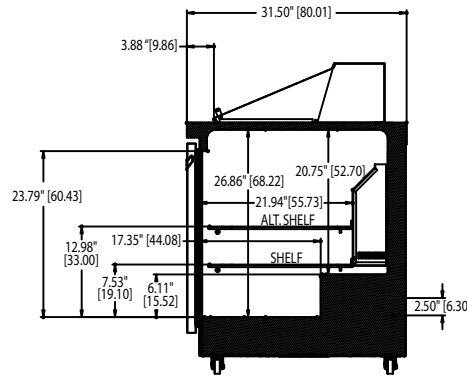
Refrigeration system is designed so that air will flow under the unit, through the compressor area and out the front of the unit. Any restriction to this air flow path will void the warranties.

PLEASE NOTE:

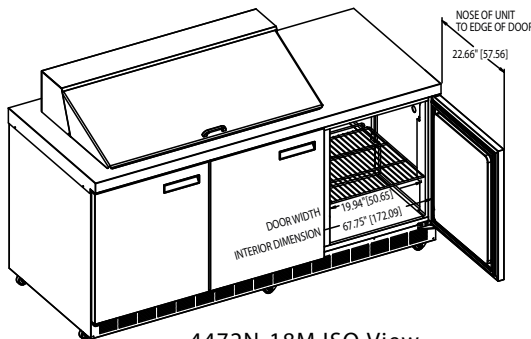
Air flow through the louver on the back of the unit is not necessary for operation, however, any air which passes through the louver is beneficial.



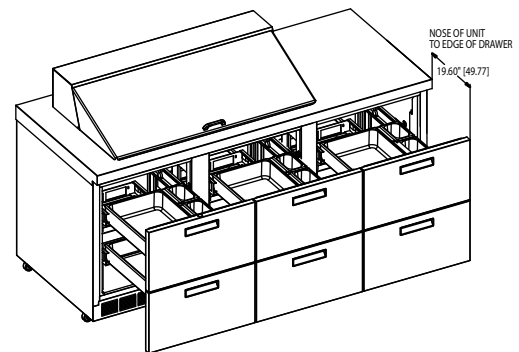
4472N-18M Elevation View



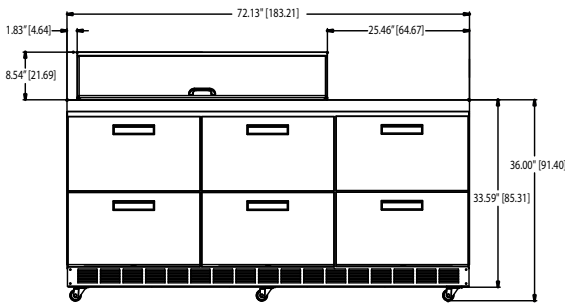
4472N-18M Right Side View



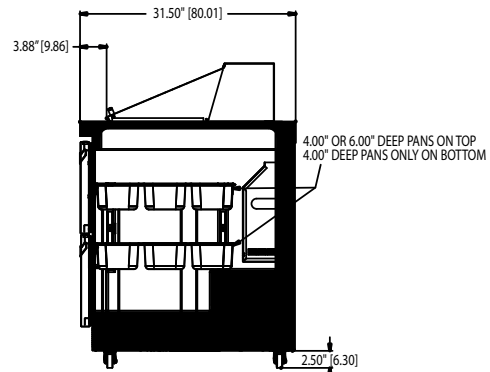
4472N-18M ISO View



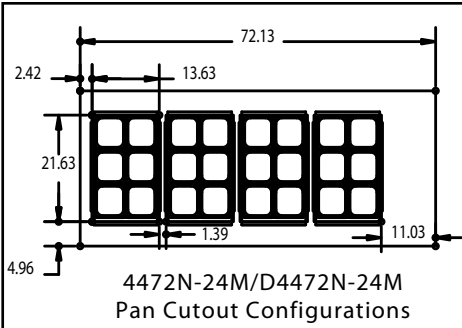
D4472N-18M ISO View



D4472N-18M Elevation View



D4472N-18M Right Side View

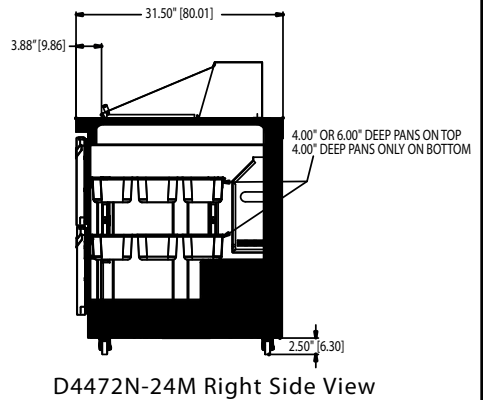
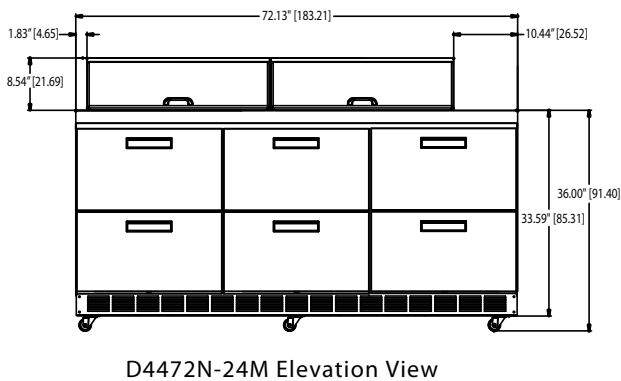
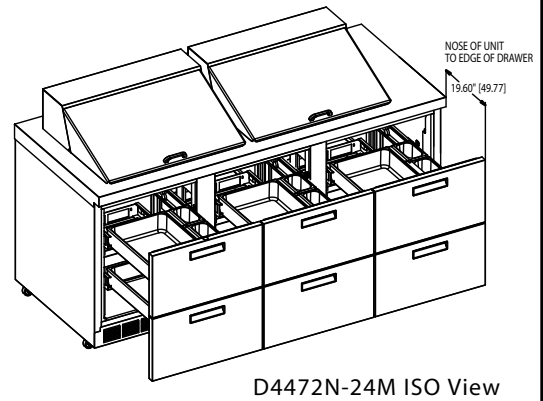
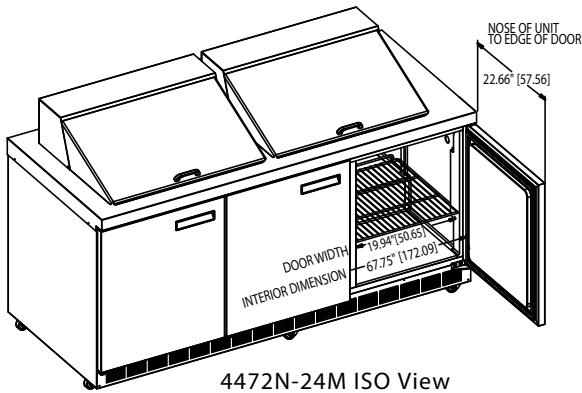
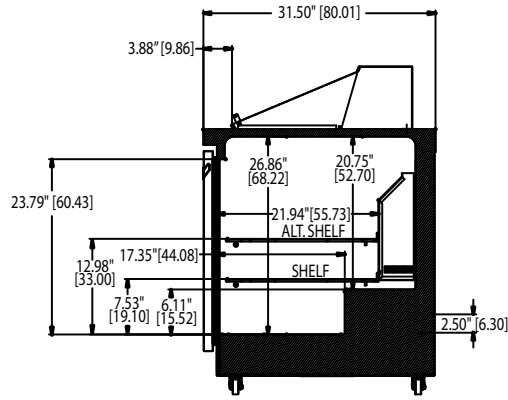
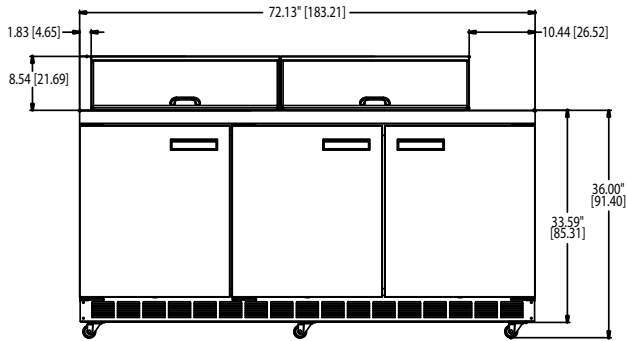


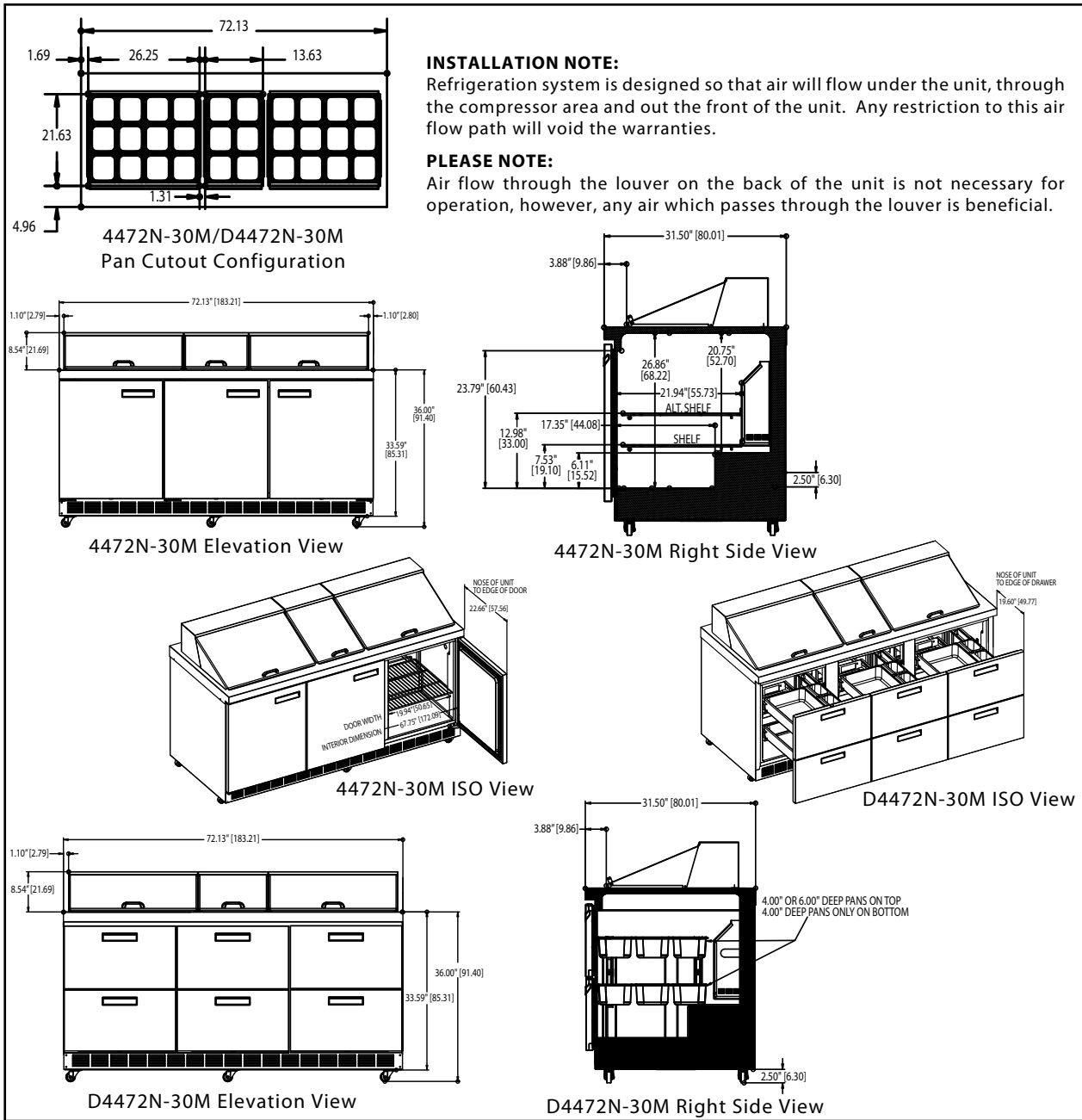
INSTALLATION NOTE:

Refrigeration system is designed so that air will flow under the unit, through the compressor area and out the front of the unit. Any restriction to this air flow path will void the warranties.

PLEASE NOTE:

Air flow through the louver on the back of the unit is not necessary for operation, however, any air which passes through the louver is beneficial.





INSTALLATION NOTE:

Refrigeration system is designed so that air will flow under the unit, through the compressor area and out the front of the unit. Any restriction to this air flow path will void the warranties.

PLEASE NOTE:

Air flow through the louver on the back of the unit is not necessary for operation, however, any air which passes through the louver is beneficial.

Specifications

| Model | 1/6 Size Pan Capacity | Number of Shelves | Shelf Area | Storage Capacity | H.P. | V/Hz/Ph | Amps | NEMA plug | Ship Weight |
|------------|-----------------------|-------------------|---------------------|---------------------|------|----------|------|-----------|--------------|
| 4472N-18M | 18 | 2 | 8.42ft ² | 18.7ft ³ | 1/2 | 115/60/1 | 12.0 | 5-15P | 485lbs/220kg |
| D4472N-18M | 18 | N/A | N/A | 4ft ³ | 1/2 | 115/60/1 | 12.0 | 5-15P | 545lbs/247kg |
| 4472N-24M | 24 | 2 | 8.42ft ² | 18.7ft ³ | 1/2 | 115/60/1 | 12.0 | 5-15P | 485lbs/220kg |
| D4472N-24M | 24 | N/A | N/A | 4ft ³ | 1/2 | 115/60/1 | 12.0 | 5-15P | 545lbs/247kg |
| 4472N-30M | 30 | 2 | 8.42ft ² | 18.7ft ³ | 1/2 | 115/60/1 | 12.0 | 5-15P | 485lbs/220kg |
| D4472N-30M | 30 | N/A | N/A | 4ft ³ | 1/2 | 115/60/1 | 12.0 | 5-15P | 545lbs/247kg |

Delfield reserves the right to make changes to the design or specifications without prior notice.