



Owner's Use and Care Guide  
 Guide d'utiliser et soin de Propriétaire  
 Guía a utilizar y a cuidar del Proprietario

Model • Modèle • Modelo  
**DBC120BLS**



**CAUTION:**  
 Read and follow  
 all safety rules  
 and operating  
 instructions  
 before first use of  
 this product.

**PRECAUTION:**  
 Veuillez lire  
 attentivement les  
 consignes de  
 sécurité et les  
 instructions  
 d'utilisation avant  
 l'utilisation  
 initiale de ce  
 produit.

**PRECAUCION:**  
 Lea y observe  
 todas las reglas de  
 seguridad y las  
 instrucciones de  
 operación antes de  
 usar este producto  
 por primera vez.

**FREE STANDING BEVERAGE CENTER**

**Owner's Use and Care Guide** ..... 1-8

- Safety Instructions
- Installation
- Operation
- Care and Maintenance
- Troubleshooting
- Warranty

**CENTRE DE BREUVAGES AUTONOME**

**Guide d'utiliser et soin de propriétaire** ..... 9-16

- Consignes de sécurité
- Instructions
- Consignes d'utilisation
- Soins et entretien
- Dépannage
- Garantie

**CENTRO DE BEBIDAS AUTÓNOMO**

**Guía a utilizar y a cuidar del Proprietario** ..... 17-24

- Instrucciones Importantes de Seguridad
- Instrucciones de Operación
- Instrucciones de Instalación
- Cuidado y Limieza
- Diagnostico de Problemas
- Garantia

---

# WELCOME

---

Welcome to the Danby family. We're proud of our quality products, and we believe in dependable service; like you will find in this owner's use and care guide, and like you will receive from our friendly customer service department. Best of all, you will experience these values each and every time you use your Danby Beverage Center. That's important, because your new appliance will be a part of your family for a long time.

For easy reference, may we suggest that you attach a copy of your sales receipt to this page, and note the information below; you will need this information to obtain service under warranty.

Model No.: \_\_\_\_\_

Serial No.: \_\_\_\_\_

Date Purchased: \_\_\_\_\_

## NEED HELP?

Before you call for service, there are a few things you can do to help us serve you better...

**Read this Owner's Use and Care Guide:**

It contains instructions to help you use and maintain your appliance properly.

**If you received a damaged appliance:**

Immediately contact the builder (or dealer) that sold you the Beverage Center.

**Save time and money:**

Check the Trouble shooting section before calling. This section helps you solve common problems that may occur.

If you do need service, you can relax knowing help is only a phone call away.

**Tel: 1-800-26- Danby®**

---

# IMPORTANT SAFETY INFORMATION

---

## *READ ALL SAFETY INFORMATION BEFORE USING*



### **WARNING DANGER: RISK OF CHILD ENTRAPMENT**

An empty refrigerating appliance is a very dangerous attraction to children. Remove either the gasket, latches, lids, lock and/or doors from unused or discarded appliances, or take some other action to guarantee it harmless.

**DON'T WAIT, DO IT NOW!**

---

### **SAFETY PRECAUTIONS**

• This appliance must be grounded. Connect only to a properly grounded outlet. See “Grounding Instructions” below.

- Do not operate this appliance if it has a damaged power cord or plug, if it is not working properly, or if the appliance has been damaged or dropped.
  - Do not splice the power cord that is equipped with this appliance.
  - Keep power cord away from heated surfaces.
  - Do not immerse power cord, plug, or the appliance itself in water.
  - Do not use this product near water—for example, in a wet basement, near a swimming pool, or near a sink.
  - Do not use corrosive chemicals or vapors in this appliance.
  - Use this appliance only for its intended use, as described in this manual.
  - Do not store perishable food items such as (but not limited to) meats and dairy products in your Beverage Center.
  - Store sealed, unopened beverages only.
  - See door surface cleaning instructions in the Care and Maintenance section(s) of this manual.
  - Do not cover or block any openings on the appliance.
  - This appliance is intended for household use only. Do not attempt to operate or store this appliance outdoors.
  - This appliance should be serviced only by qualified service personnel. Contact the nearest authorized service facility for examination, repair, or adjustment.
- 

### **GROUNDING INSTRUCTIONS**

**WARNING:** Improper use of the grounding plug can result in a risk of electrical shock.

- This appliance must be grounded. In the event of an electrical short circuit, grounding reduces the risk of electric shock by providing an escape wire for the electric current.
  - This appliance is equipped with a power cord having a grounding wire with a grounding plug. The plug must be plugged into an outlet that is properly installed and grounded.
  - Consult a qualified electrician or service technician if the grounding instructions are not completely understood, or if doubt exists as to whether the appliance is properly grounded.
  - If the outlet is a standard 2-prong wall outlet, it is your personal responsibility and obligation to have it replaced with a properly grounded 3-prong wall outlet.
  - For best operation, plug this appliance into its own electrical outlet to prevent flickering of lights, blowing of fuse or tripping of circuit breaker.
  - **Do not** under any circumstances cut or remove the third (ground) prong from the power cord.
  - **Do not** use an adapter plug with this appliance.
  - **Do not** use an extension cord with this appliance. If the power cord is too short, have a qualified electrician or service technician install an outlet near the appliance.
- 

### **LOCATION**

#### **DO:**

- ✓ • Select a location with a strong, level floor.
- ✓ • Allow 5 inches of space between the back of the appliance and any adjacent wall.
- ✓ • Avoid direct sunlight and heat. Direct sunlight may affect the acrylic coating. Heat sources nearby will cause higher electricity consumption.

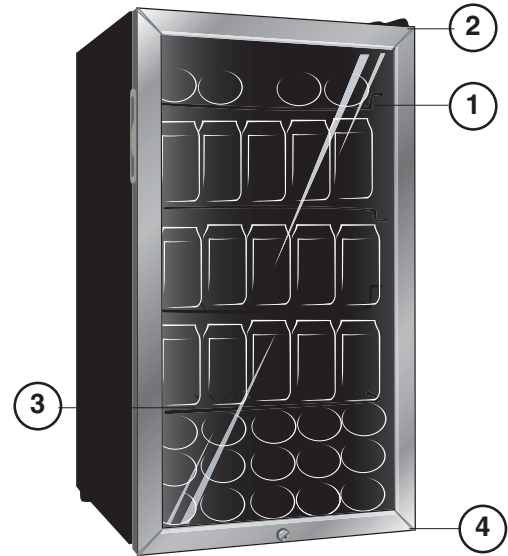
#### **DO NOT:**

- ⊘ • Use this appliance outdoors: This appliance is intended for household use only. Do not attempt to operate or store this appliance outdoors.
- ⊘ • Build this appliance into an enclosure: This appliance is designed for a free-standing application only and is not intended to be “built-in”.

# OPERATING INSTRUCTIONS

## FEATURES OF YOUR BEVERAGE CENTER

- 1) **Tempered Glass Door:** Tinted for UV protection while still allowing for easy interior viewing.
- 2) **Magnetic Door Gasket:** Tight fitting seals retain all the cooling power.
- 3) **Plastic Coated Wire Shelves**
- 4) **Leveling Legs**
- 5) **Interior Light (not shown):** Illuminates the compartment when the door is opened.



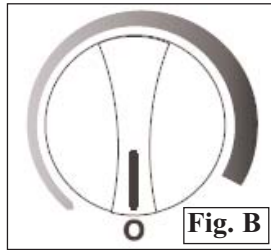
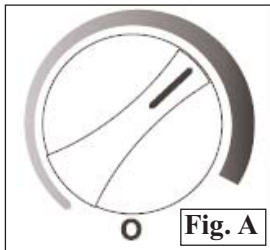
## THE CONTROLS OF YOUR BEVERAGE CENTER

To start the Beverage Center, turn the temperature control to the position corresponding to the desired cooling. The Beverage Center temperature will vary depending on the quantity of cans stored and on the frequency with which the door is opened.

### Setting The Temperature Control:

The temperature of the Beverage Center compartment is controlled by adjusting/setting the thermostat control knob, located on the exterior rear wall of the cabinet. To start the Beverage Center and achieve maximum cooling quickly;

- Turn the temperature control knob clockwise to the furthest 'Max' (maximum) setting on the darker blue (wide) section of the graduated control dial.
- Allow the unit to run at this setting for 3-4 hours.
- When maximum cooling is achieved, turn back the temperature control knob setting to the 2 o'clock position on the graduated blue control dial. See Fig. A.
- To turn off the beverage center (no cooling), rotate the control knob to the "0" (off) position. See Fig. B



Turn the control to the "OFF" (0) position to temporarily disconnect the cooling cycle. When the beverage center is not to be used for a long period of time, disconnect the plug and leave the door partially open.

**NOTE:** Wait 3 to 5 minutes before restarting if operation has been interrupted.

## DEFROSTING

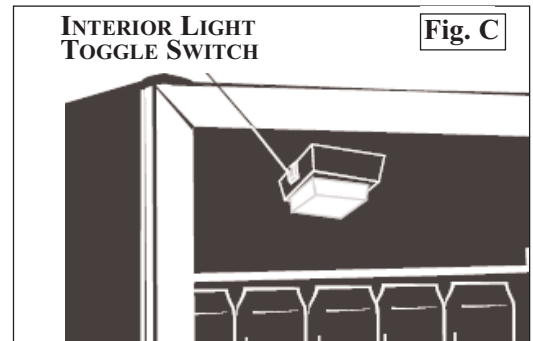
Your beverage center is designed with an "Auto-Cycle" defrost system.

**What is Auto Cycle defrost?** The refrigerated surfaces of the fresh food compartment defrost automatically, during the "off" cycle of the cold control (thermostat). Defrost water from the fresh food compartment is disposed of automatically, by means of being channeled onto a drip tray located on the compressor. Heat transfer from the compressor causes the defrost water to evaporate.

## OPERATING INSTRUCTIONS (cont'd)

### INTERIOR LIGHT

The operation of the interior light can be "manually" controlled as well as controlled with the opening or closing of the door. To manually operate the light; depress the interior light toggle switch situated on the left side of the interior light housing located on the ceiling of inner cabinet (as shown in Fig. C). This will allow the interior light to remain on while the door is closed.



### CAN STOCKING INSTRUCTIONS

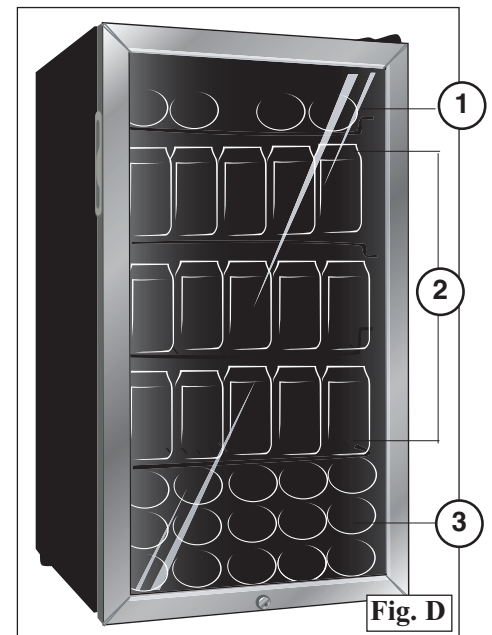
The \*maximum capacity of the DBC120BLS is 113 (355mL) cans.  
\*When stocked following below instructions.

In order to achieve the maximum capacity of 113 (355mL) cans, follow these stocking instructions:

- 1) The first shelf holds eight (8) 355mL cans, when laid horizontally 2 across and two deep on either side of the gap in middle of shelf (as seen in Fig. D).
- 2) The next three shelves hold 50 cans each, when arranged vertically, 5 cans across, 5 cans deep, and 2 cans high.
- 3) The bottom section of your beverage center holds 30 cans, when laid horizontally, 5 cans across, 2 cans deep and 3 cans high

• When the above instructions are followed, your beverage center can achieve a storage capacity of 113 (355mL) cans.

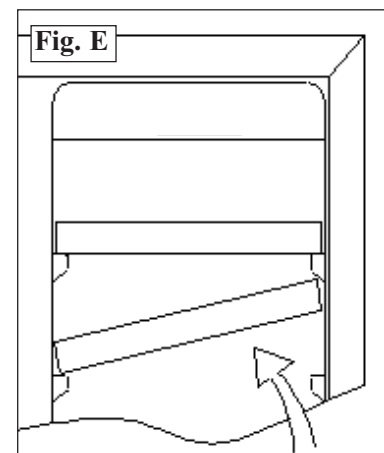
**Note:** By removing the bottom two shelves, it is possible for the unit to accommodate 120 cans.



### SHELF INSTRUCTIONS

To remove a shelf from its locked position, tilt the rear portion of the shelf up and pull outward.

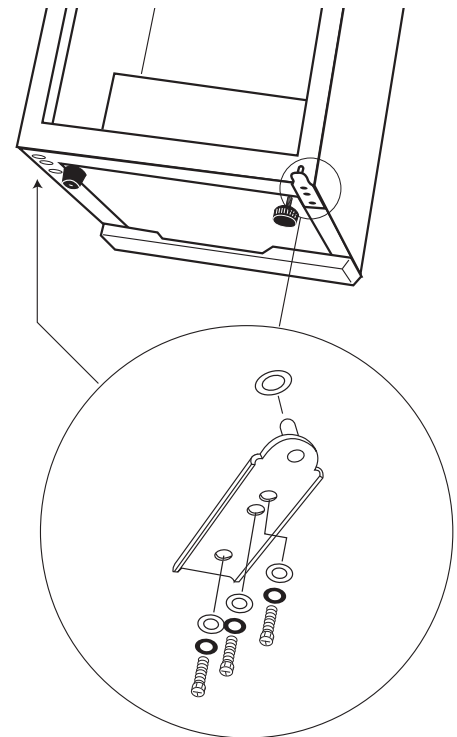
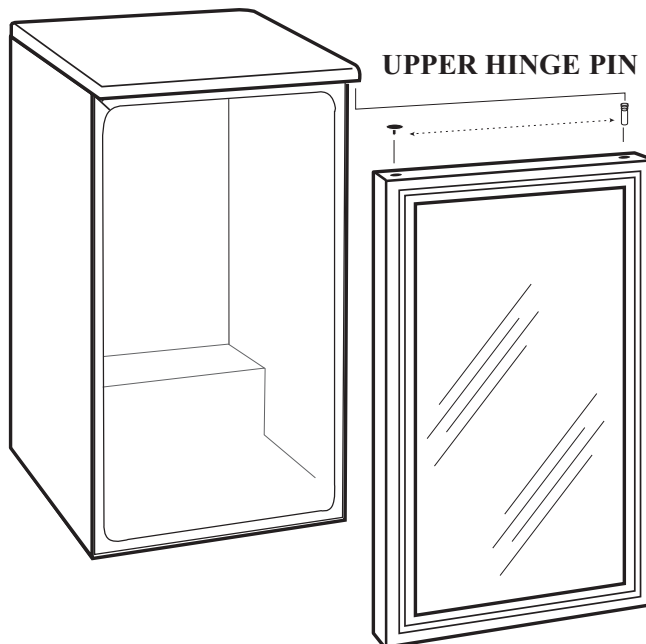
To re-install, ensure the shelf is resting securely on the support brackets and push shelf inward until it locks into place.



# INSTALLATION INSTRUCTIONS

## DOOR SWING REVERSAL

- 1) Unplug the unit from the electrical outlet (if connected) and lay it on it's back.
- 2) Remove the screws from the lower hinge assembly.
- 3) Pull the door downward to remove it from the cabinet of the Beverage Center.
- 4) Remove the upper hinge pin from the top left side of the cabinet and reinstall it on the top right side.
- 5) Remove the plastic cap from the left side of the door frame and reinstall it on the right side of the door frame (the previous pin location).
- 6) Carefully reposition the door on the cabinet and push up until the top hinge pin is inserted into the top of the door.
- 7) While the door remains closed, install the lower hinge assembly.
- 8) Close the door and return the unit into it's upright position (wait 60 minutes before reconnecting power to the beverage center), verify the door alignment and proper seal against the cabinet.



**LOWER HINGE ASSEMBLY  
AND DOOR SUPPORT BRACKET**

---

## CARE AND CLEANING

---

### HELPFUL HINTS

Allow the Beverage Center door to remain open for a few minutes after manual cleaning to air out and dry the inside of the beverage center cabinet

**NOTE: Be certain the power is off before cleaning any part of this appliance.**

---

### CLEANING THE INSIDE

Never use any commercial or abrasive cleaners or sharp objects on any part of this appliance.

#### **Walls, Floor, Inside Window, and Shelves:**

Water deposits and dust should be removed with a soft, damp cloth.

---

### CLEANING THE OUTSIDE

Do not use cleaners containing ammonia or alcohol on the Beverage Center. Ammonia or alcohol can damage the appearance of the appliance.

#### **Outer Case:**

It's important to keep the area clean where the door seals against the cabinet. Clean this area with a sudsy cloth. Rinse and then dry.

#### **Door Trim:**

Use only mild, non-abrasive detergents applied with a clean sponge or soft cloth. Rinse well.

#### **Door Glass:**

Wipe the door with a damp cloth and dry thoroughly. Do not use abrasive or sharp objects on the door glass, as they can damage it.

# TROUBLESHOOTING

PROBLEM	POSSIBLE CAUSE	SOLUTIONS
<b>1) No Power</b>	<ul style="list-style-type: none"> <li>• A fuse in your home may be broken, or a circuit breaker tripped.</li> <li>• Power surge.</li> <li>• Plug not fully inserted into wall outlet.</li> </ul>	<ul style="list-style-type: none"> <li>• Replace fuse or reset circuit if needed.</li> <li>• Unplug and wait a few seconds, then plug the unit back in.</li> <li>• Make sure plug is fully inserted.</li> </ul>
<b>2) Cabinet temperature too high.</b>	<ul style="list-style-type: none"> <li>• Temperature setting too high.</li> <li>• Door not shut properly or opened excessively.</li> </ul>	<ul style="list-style-type: none"> <li>• Adjust the temperature setting as needed.</li> <li>• Ensure that the door is fully closed or opened excessively, and that the gaskets are sealing against the cabinets. Open the door only as needed and for short periods of time.</li> </ul>
<b>3) “Clicking” noise.</b>	<ul style="list-style-type: none"> <li>• Recently added large quantity of warm cans to the cabinet.</li> <li>• This is normal</li> </ul>	<ul style="list-style-type: none"> <li>• Limit the quantity of warm cans being introduced into the cabinet at one time.</li> <li>• No user intervention is required as this sound is normal during the operation of the appliance. This audible ‘clicking’ noise may be heard as the appliance ends or begins a cooling cycle.</li> </ul>
<b>4) Condensation on the cabinet and/or door.</b>	<ul style="list-style-type: none"> <li>• High humidity conditions in the home.</li> <li>• Door not shut properly or opened excessively.</li> </ul>	<ul style="list-style-type: none"> <li>• The condensation will subside once humidity conditions return to normal.</li> <li>• Ensure that the door is fully closed or opened excessively and that the gaskets are sealing against the cabinets. Open the door only as needed and for short periods of time.</li> </ul>

If none of the above rectify the situation please contact our customer care department at **1-800-26- Danby (1-800-263-2629)**



---

## BEINVENUE

---

Bienvenue dans la famille Danby .Nous sommes fiers de nos produits de qualité et croyons au bien fondé de fournir une assistance fiable à nos clients. Vous le découvrirez parce guide facile d'utilisation et vous pourrez l'entendre en provenance des voix amicales de notre service d'assistance à la clientèle.

Mais, ce qui est encore mieux, vous pourrez bénéficier de ces valeurs à chaque utilisation de votre Centre de Breuvages. Ceci est important parce que votre nouvelle appareil fera partie de votre famille pour longtemps.

Numéro de Modèle: \_\_\_\_\_

Numéro de Serie: \_\_\_\_\_

Date d'achat: \_\_\_\_\_

### **BESOIN D'ASSISTANCE?**

Voici quelques contributions que vous pouvez effectuer avant de faire un appel de service, pour nous aider à mieux vous servir:

#### **Lisez ce guide:**

Il comprend des instructions pour vous assister à l'utilisation et l'entretien adéquats de votre refroidisseur de Breuvages.

#### **Si votre appareil neuf est varié:**

Communiquez immédiatement avec le revendeur (ou le fabricant).

#### **Épargnez temps et argent:**

Avant de faire un appel de service, révisez le chapitre intitulé "Dépannage". Ce chapitre vous aidera à résoudre des problèmes communs qui pourraient survenir. Si une réparation est requise, vous pouvez avoir l'esprit tranquille parce que de l'aide ne sera l'affaire que d'un appel téléphonique.

**Tel: 1-800-26- Danby®**

# CONSIGNES DE SÉCURITÉ IMPORTANTES

## LISEZ TOUTES LES INFORMATIONS DE SÉCURITÉ AVANT DE FAIRE FONCTIONNER L'APPAREIL



### AVERTISSEMENT

### DANGER, RISQUE DES ENFANTS DEVIENNENT COINCER DANS L'APPAREIL!

Un réfrigérateur vide est une attraction dangereuse aux enfants. Enlever les joints étanches, les loquets, les couvercles ou les porte des appareils qui ne sont pas utiliser, ou faites de soit que l'appareil ne présente aucun danger.

**N'ATTENDEZ PAS! FAITES-LE IMMEDIATEMENT!**

### PRÉCAUTIONS

Cet appareil doit être mis à la terre. Branchez le seulement dans une prise correctement mise à la terre. Référez-vous au "Instructions de mise à la terre" ci-dessus.

- Ne faites pas fonctionner cet appareil s'il a un cordon ou fiche électrique endommagé, s'il ne fonctionne pas correctement, ou si l'appareil a été endommagé ou échappé.
- N'épissez pas le cordon électrique
- Gardez le cordon électrique éloigné des sources de chaleur.
- N'immersez pas le cordon ou sa fiche dans aucun liquide.
- N'utilisez pas cet appareil près de bassins d'eau, par exemple dans un sous-sol dé trempé, près d'une piscine ou d'un évier.
- N'utilisez pas de produits chimiques ou vapeurs corrosives dans/près de cet appareil.
- N'utilisez cet appareil que pour les fins aux quelles il est conçu comme indiqué dans ce guide.
- Ne placez pas les articles périssables de nourriture dans votre Centre de Breuvages (pour exemple, les viandes et les produits laitiers)
- Référez-vous aux instructions de nettoyage du fini de la porte se trouvant au chapitre de Soins et Entretien de ce guide.
- Ne recouvrez pas ou n'obstruez aucune ouverture de l'appareil.
- Cet appareil est conçu pour un usage domestique à l'intérieur seulement. N'entrez ni n'utilisez pas cet appareil à l'extérieur.
- Cet appareil ne devrait être réparé que par du personnel qualifié. Pour tout examen, réparation ou réglage, contactez votre centre de service le plus rapproché.

### INSTRUCTIONS DE MISE À LA TERRE

**AVERTISSEMENT:** Une mauvaise utilisation de la mise à la terre de la fiche constitue un danger d'électrocution.

- Cet appareil doit être mis à la terre. Dans l'éventualité d'un court-circuit, la mise à la terre procure un chemin direct de contournement du courant pour prévenir l'électrocution des manipulateurs de l'appareil.
- Cet appareil est muni d'un cordon comprenant une fiche et fil de mise à la terre.
- La fiche doit être branchée dans une prise correctement installée et mise à la terre.
- Si les directives de mise à la terre ne sont pas tout à fait comprises ou en cas de tout doute relatif à la mise à la terre appropriée de l'appareil, faites appel à un électricien ou à un technicien qualifié.
- Si la prise murale est une prise à 2 branches, c'est votre obligation, et la responsabilité vous en incombe, de la faire remplacer par une prise à trois branches adéquatement mise à la terre.
- Pour un meilleur rendement et pour éviter que les ampoules d'éclairage de la résidence soient affectées d'un affaîssement de tension, ou que le fusible ou disjoncteur du circuit ne grille ou ne se déclenche, dédiez un circuit individuel d'alimentation à la machine à glaçons (prise (double) unique sur le circuit).
- Sous aucun prétexte il est permis de couper ou d'enlever la troisième branche (mise à la terre) de la fiche du cordon électrique.
- N'utilisez pas d'adaptateur de fiche avec cet appareil.
- N'utilisez pas de cordon de rallonge avec cet appareil. Si le cordon électrique de l'appareil ne rejoint pas la prise murale, faites installer une prise plus rapprochée par un électricien ou un technicien qualifié.

### ENDROIT

#### À FAIRE:

- ✓ Choisir un endroit avec un plancher solide et de niveau.
- ✓ Laisser un espace de 5po entre l'arrière de l'appareil et tout mur adjacent.
- ✓ Éviter l'exposition au soleil direct et à la chaleur. Le soleil direct peut affecter la couche d'acrylique. Les sources de chaleur à proximité peuvent causer une plus grande consommation d'électricité.

#### NE PAS:

- ⊘ Utiliser cet appareil à l'extérieur: Cet appareil a été conçu pour usage ménager seulement. Ne pas essayer de faire fonctionner ou d'entreposer cet appareil à l'extérieur.
- ⊘ Incorporer cet appareil dans une armoire: Cet appareil est conçu pour une utilisation autonome seulement et n'est pas prévu pour être intégré.

# CONSIGNES DE FONCTIONNEMENT

## CARACTERISTIQUES DE VOTRE CENTRE DE BREUVAGES

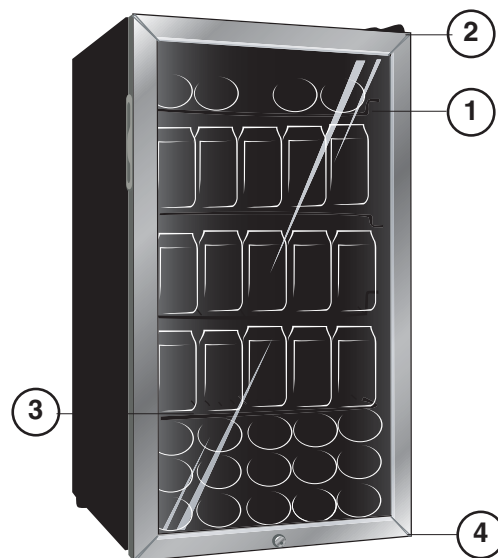
1) **Portes en Verre Trempé:** Teinté pour protéger contre les rayons UV tout en permettant de voir facilement le contenu du cabinet

2) **Joint Étanche Magnétique:** Le joint étanche permet de conserver le niveau de température à l'intérieur du cabinet.

3) **Les étagères de fil ont enduit en plastique**

4) **Pied Adjustable**

5) **La Lumière Intérieur (non montrée) :** Illumine le compartiment quand la porte est ouverte.

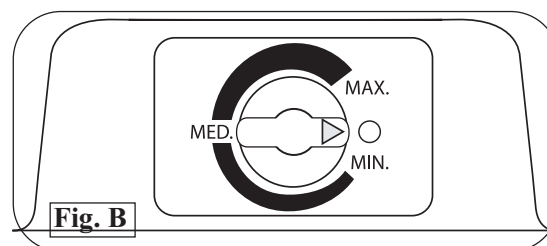
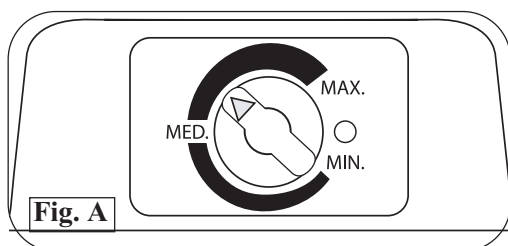


## LES RÉGLAGES DE VOTRE CENTRE DE BREUVAGES

Pour démarrer votre centre de breuvages, tourner le bouton de contrôle de température à la position qui correspond au refroidissement désiré. La température du centre de breuvages variera selon la quantité de cannettes emmagasinées et selon la fréquence d'ouverture de la porte.

**Réglage du contrôle de température:** La température du compartiment du centre de breuvages est contrôlée en ajustant/réglant la roulette de contrôle de température, située à l'arrière du cabinet. Pour démarrer le centre de breuvages et obtenir un refroidissement maximum rapidement:

- Tourner la roulette de contrôle de température au réglage 'Max'(maximum) à la section (large) bleu foncé du cadran gradué de contrôle.
- Laisser l'appareil fonctionner à ce réglage pour 3-4 heures.
- Lorsque le refroidissement maximum est atteint, tourner la roulette de contrôle de température à la position 10 heures sur le cadran bleu de contrôle gradué. Voir Fig.A.
- Pour arrêter le centre de breuvages, (pas de refroidissement) tourner la roulette de contrôle à la position "O". Voir Fig.B.



Mettre le contrôle à la position "O" pour arrêter temporairement le cycle de refroidissement. Lorsque le centre de breuvages ne sera pas utilisé pour une longue période, débrancher la prise et laisser la porte entrouverte.  
**REMARQUE:** Attendre de 3 à 5 minutes avant de démarrer à nouveau si le fonctionnement a été interrompu.

## DÉCONGÉLATION

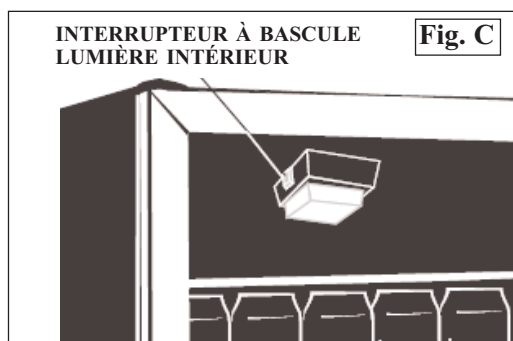
Votre centre de breuvages est conçu avec un système de décongélation "Cycle-Auto"..

**Qu'est-ce qu'une décongélation Cycle Auto?** Les surfaces réfrigérées du compartiment d'aliments frais décongèlent automatiquement durant le cycle "arrêt" du contrôle de refroidissement (Thermostat). L'eau de décongélation du compartiment d'aliments frais est envoyée automatiquement dans un plateau d'égouttement situé sur le compresseur. Le transfert de chaleur du compresseur évapore l'eau de décongélation.

## CONSIGNES DE FONCTIONNEMENT (suite)

### LUMIÈRE INTÉRIEURE

L'opération de la lumière intérieure peut être manuellement commandée aussi bien que commandé avec l'ouverture ou la fermeture de la porte. Pour actionner manuellement la lumière ; pressez l'interrupteur à bascule lumière intérieur situé de l'aile gauche du logement léger intérieur plac sur le plafond du cabinet intérieur (suivant les indications de fig. C). Ceci permettra à la lumière intérieure de rester allumée tandis que la porte est fermée.



### ENTREPOSAGE DES BIDONS

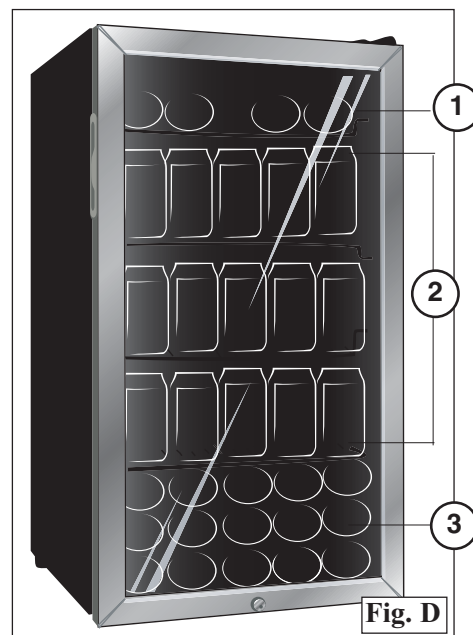
La capacité maximum du le DBC120BLS est 113 (355ml) cannettes.  
*\*Une fois stocké selon des instructions*

Afin de réaliser la capacité de stockage maximum de 113 cannettes, suivez ces instructions:

- 1) L'étagère première tiendra huit (8) cannettes 355mL, quand à travers horizontalement étendus deux et deux profonds de chaque côté de l'espace au milieu de l'étagère (comme vu dans fig. D).
- 2) Les trois étagères suivante de chaque prise 25, une fois stocké verticalement 5 cannettes à travers, 5 cannettes profondément et haute de 1 cannette. (Fig. D #2)
- 3) La section inférieure de votre centre de boisson tiendra 30 cannettes, quand stocké horizontalement 5 cannettes à travers, 3 profonds, et haute de 3 cannettes.

• Quand après les instructions de chargement ci-dessus, votre centre de boisson a une capacité de stockage totale de 113 cannettes (355mL).

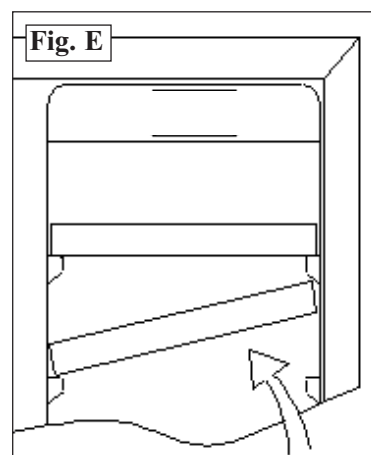
**Note:** En enlevant les deux étagères inférieures, il est possible que l'unité adapte à 120 cannettes.



### INSTRUCTIONS DES TABLETTE

Pour enlever une tablette de la position verrouillée, incline l'étagère comme montré dans la figue E et tire à l'extérieur.

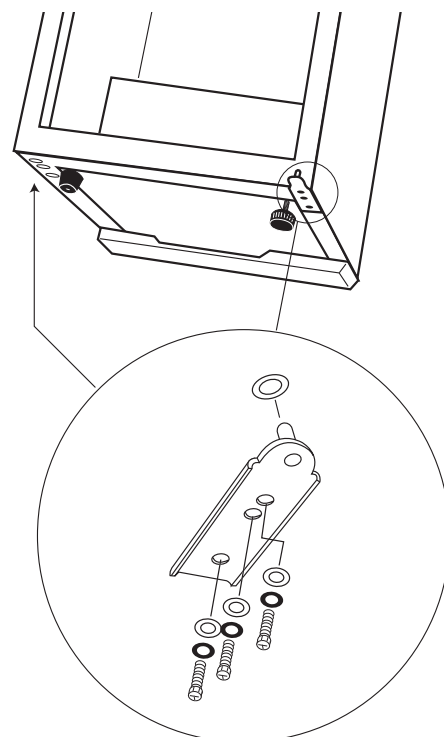
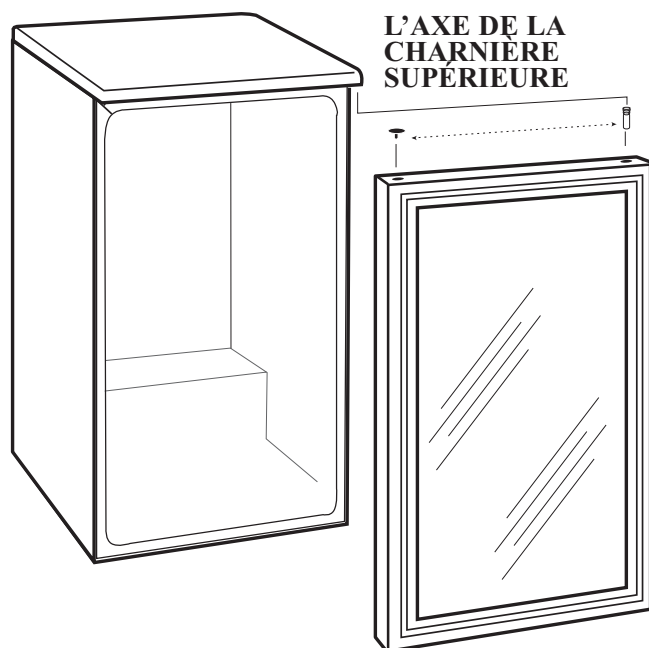
Pour réinstaller, assurez l'étagère se repose sur les supports et poussée la tablette vers l'intérieur jusqu'à ce qu'elle soit verrouillée en place.



## DIRECTIVES D'INSTALLATION

### INVERSION DE L'OUVERTURE DE LA PORTE

- 1) Débrancher l'appareil de la prise électrique (si branché) et le déposer avec l'arrière à plat sur le sol.
- 2) Enlever les vis de la charnière du bas.
- 3) Tirer la porte vers le bas pour l'enlever du cabinet du centre de breuvages.
- 4) Retirez l'axe de la charnière supérieure en haut à gauche de la porte et l'installer en haut à droite de la porte.
- 5) Enlever le capuchon de plastique du côté gauche de porte et le installer sur le côté droit de porte (l'endroit de la l'axe de la charnière supérieure précédente).
- 6) Replacer soigneusement la porte sur le cabinet et remontez-la jusqu'à ce que l'axe de la charnière supérieure rentre dans le haut de la porte.
- 7) Pendant que la porte est fermée, installer la charnière du bas.
- 8) Fermer la porte et remettre l'appareil debout (attendre 60 minutes avant de brancher de nouveau le centre de breuvages), vérifier l'alignement de la porte et l'étanchéité contre le cabinet.



CHARNIÈRE DU BAS ET SUPPORT DE PORTE

---

## SOINS ET ENTRETIEN

---

### CONSEILS UTILES

Laissez la porte de le centre de breuvages ouverte après nettoyage durant quelques minutes pour aérer et assécher l'intérieur de l'armoire.

**NOTE:** Avant de nettoyer quelque partie que ce soit de cet appareil, assurez-vous que l'alimentation est coupée.

---

### NETTOYAGE DE L'INTÉRIEUR

N'utilisez jamais de nettoyant industriels sur aucune partie de votre refroidisseur de breuvages.

#### **Parois, Plancher,Intérieur de la Visière et Tablettes:**

Certaines éclaboussures d'eau et poussières peuvent être essuyées avec des essuie-tout. D'autres taches peuvent nécessiter un linge humide.

---

### NETTOYAGE DE L'EXTÉRIEUR

N'utilisez pas de produits nettoyants comprenant de l'ammoniaque ou de l'alcool sur la refroidisseur de breuvages. L'ammoniaque ou l'alcool peuvent altérer le fini de l'appareil.

#### **Extérieur de l'armoire:**

Il est important de garder la région de scellement de la porte sur l'armoire propre. Nettoyez avec un tissu savonneux, rincez le région et puis séchez.

#### **Garniture du Porte:**

N'utilisez que des détergents doux, non abrasifs, appliqué avec une éponge propre ou un chiffon doux. Rincez abondamment.

#### **Verre du Porte:**

Essuyez avec un chiffon humide asséchez bien. N'utilisez pas de d'abrasifs ou d'objets acérés sur le panneau, ceci pourrait l'endommager.

# DÉPANNAGE

PROBLÈME	CAUSE PROBABLE	SOLUTIONS
1) N'est pas alimenté	<ul style="list-style-type: none"> <li>• Un fusible de votre panneau de distribution peut être grillé ou le disjoncteur déclenché.</li> <li>• Surtension.</li> <li>• La fiche n'est pas complètement insérée dans la prise murale.</li> </ul>	<ul style="list-style-type: none"> <li>• Remplacez le fusible ou réarmez le disjoncteur.</li> <li>• Débranchez la refroidisseur de vin et attendez quelques secondes, et puis rebranchez la.</li> <li>• Assurez-vous que la fiche à 3 branches de la refroidisseur de vin est complètement insérée dans la prise.</li> </ul>
2) La température dans la cabinet est trop haut.	<ul style="list-style-type: none"> <li>• Réglage du température .</li> <li>• Les portes ne sont pas fermées correctement ou son ouverte trop souvent.</li> <li>• Stocké une grande quantité de bouteilles chaudes dans le cabinet.</li> </ul>	<ul style="list-style-type: none"> <li>• Vérifiez que la commande est à la bonne arrangement.</li> <li>• Assurez-vous que les portes sont fermées et que les joint étanches sont contre le coffret. Ouvrez les portes seulement quand nécessaire.</li> <li>• Limitez la quantité de bouteilles chaudes qui sont stockées dans le cabinet en même temps.</li> </ul>
3) Bruit de "Cliquets"	<ul style="list-style-type: none"> <li>• Bruit normal.</li> </ul>	<ul style="list-style-type: none"> <li>• Aucune intervention requise puisque ce bruit est normal durant le fonctionnement de l'appareil. Ce bruit de 'cliquetis' peut être entendu lorsque l'appareil débute ou termine un cycle de refroidissement.</li> </ul>
4) L'eau de condensation sur le coffret et/ou les portes.	<ul style="list-style-type: none"> <li>• Niveau de humidité élevé dans la maison.</li> <li>• Les portes ne sont pas fermées correctement ou son ouverte trop souvent.</li> </ul>	<ul style="list-style-type: none"> <li>• La formation de l'eau de condensation s'arrêtera quand le niveau d'humidité retour à normale.</li> <li>• Assurez-vous que les portes sont fermées et que les joint étanches sont contre le coffret. Ouvrez les portes seulement quand nécessaire.</li> </ul>

Si aucune des suggestions ci-dessus ne corrigent le problème, communiquez avec notre service d'assistance au 1-800-26-**Danby** (1-800-263-2629)

---

## BIENVENIDO

---

Bienvenido a la familia Danby. Estamos orgullosos de nuestros productos de alta calidad y creemos en el servicio confiable. Usted lo podrá apreciar en este manual fácil de usar, y lo escuchará en las voces amistosas de nuestro departamento de servicio al consumidor.

Sobre todo, usted apreciará estas ventajas cada vez que use su centro de bebidas. Eso es importante, ya que su nuevo artefacto formará parte de su familia por mucho tiempo.

Número de Modelo: \_\_\_\_\_

Número de Serie: \_\_\_\_\_

Fecha de la compra: \_\_\_\_\_

### ¿NECESITA AYUDA?

Antes de solicitar servicio, hay algunas cosas que puede hacer para ayudarnos a servirle mejor...

#### **Lea este manual:**

Contiene instrucciones que lo ayudarán a mantener correctamente su heladera para bebidas.

#### **Si usted recibe un artefacto dañado:**

Llame inmediatamente al distribuidor (o constructor) que se lo vendió.

#### **Ahorre tiempo y dinero:**

Lea la sección de Diagnóstico de Problemas antes de llamar. Esta sección le ayudará a resolver problemas comunes que pudieran ocurrir. Si necesita asistencia, no se preocupe y llámenos.

Tél: 1-800-26- **Danby**<sup>®</sup>



# INSTRUCCIONES IMPORTANTES DE SEGURIDAD

## LEA TODAS LAS INSTRUCCIONES DE SEGURIDAD ANTES DE UTILIZARLA



### ¡ATENCIÓN! ¡PELIGRO, LOS NIÑOS PODRÍAN QUEDAR ATRAPADOS!

Una refrigerador vacía es una atracción muy peligrosa para los niños. Remueva la junta, las trabas, la manija y/o las puertas de los artefactos que no se usen o se hayan desechado, o tome alguna otra medida para garantizar que sean inofensivos.

**¡NO ESPERE, HAGA ESTO AHORA MISMO!**

### PRECAUCIONES

Este artefacto debe ser conectado a tierra. Conéctelo únicamente a un tomacorriente con conexión a tierra. Vea las "Instrucciones de Conexión a Tierra" abajo.

- No use este artefacto si tiene el cable de alimentación o el enchufe dañado, si no funciona correctamente o si se ha dañado o caído.
- No modifique el cable de alimentación que viene con el artefacto.
- Mantenga el cable alejado de superficies calientes.
- No sumerja el cable de alimentación, el enchufe o el artefacto en agua.
- No use este producto cerca del agua, por ejemplo en un sótano húmedo, cerca de una piscina o cerca de una pileta.
- No use productos químicos corrosivos o vapores en este artefacto.
- Utilice este artefacto únicamente para los fines indicados en este manual.
- No almacene alimentos perecederos tal como (pero sin limitación) carnes y productos lácteos en su centro de bebidas.
- Mantenga las bebidas selladas solamente su centro de la bebida
- No tape u obstruya ninguna abertura de este artefacto.
- Este artefacto eléctrico es para uso domiciliario solamente. No intente usar o guardar este artefacto en el exterior.
- Este artefacto debe ser reparado únicamente por personal calificado. Llame al centro de reparaciones más cercano para que sea examinado, reparado o ajustado.

### INSTRUCCIONES DE LA CONEXIÓN A TIERRA

**ATENCIÓN:** La conexión inadecuada del cable de tierra puede causar riesgo de descarga eléctrica. Este artefacto debe ser conectado a tierra.

- En caso de un corto circuito eléctrico, la conexión a tierra reduce el riesgo de una descarga eléctrica proporcionando un cable de retorno para la corriente eléctrica.
- Este artefacto viene con un cable de alimentación que tiene un conductor y pata del enchufe de tierra. Este cable debe enchufarse en un tomacorriente debidamente instalado y con conexión a tierra.
- Si no entiende claramente las instrucciones de conexión a tierra, o si no está seguro de que su tomacorriente esté correctamente conectado a tierra, llame a un electricista calificado.
- Si el tomacorriente es uno común de 2 patas, es su responsabilidad personal y obligación el reemplazarlo por uno de 3 patas correctamente conectado a tierra.
- Para obtener el mejor resultado, enchufe este artefacto en su propio tomacorriente para evitar que las luces titilen, quemar un fusible o disparar una llave térmica.
- Nunca, bajo ninguna circunstancia, corte o remueva la tercera pata (tierra) del enchufe.
- No use un enchufe adaptador con este artefacto.
- No use un cable de prolongación con este artefacto. Si el cable de alimentación es demasiado corto, haga que un electricista calificado o un técnico de reparaciones instale otro tomacorriente más cerca del artefacto.

### UBICACIÓN

#### HACER:

- ✓ Elija una ubicación con un piso duro y nivelado.
- ✓ Deje 5 pulgadas de separación entre la parte de atrás del artefacto y cualquier pared adyacente.
- ✓ Evite la luz directa del sol y el calor. La luz directa del sol puede dañar el recubrimiento acrílico. Las fuentes cercanas de calor aumentarán el consumo de electricidad.

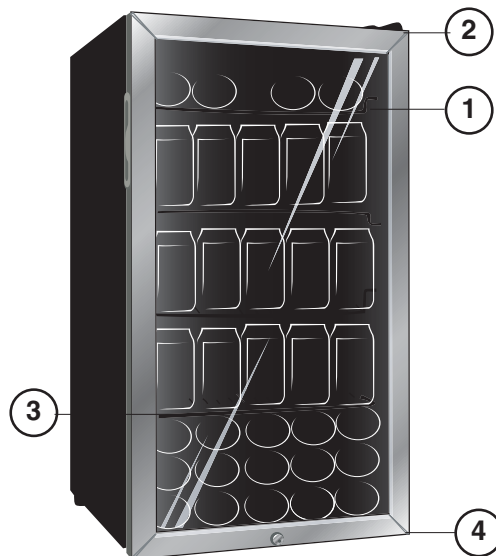
#### NO HACER:

- ⊘ No utilice este artefacto en el exterior: Este artefacto eléctrico es para uso domiciliario solamente. No intente usar o guardar este artefacto en el exterior.
- ⊘ No empotre este artefacto en ningún lado: Este artefacto está diseñado para funcionar únicamente apoyado en el piso y no para ser 'empotrado'.

# INSTRUCCIONES DE OPERACIÓN

## CARACTERÍSTICAS DE SU CENTRO DE BEBIDAS

- 1) **Puerta de Vidrio Templado:** Permite ver fácilmente el interior. Polarizadas para proteger contra la radiación UV.
- 2) **Juntas Magnéticas de la Puesta:** Las juntas ajustadas mantienen todo el poder de enfriamiento.
- 3) **Los estantes del alambre cubrieron en plástico.**
- 4) **Pata Niveladora**
- 5) **Luz Interior (no demostrada):** Ilumina el compartimiento cuando se abre la puerta.



## LOS CONTROLES DE SU CENTRO DE BEBIDAS

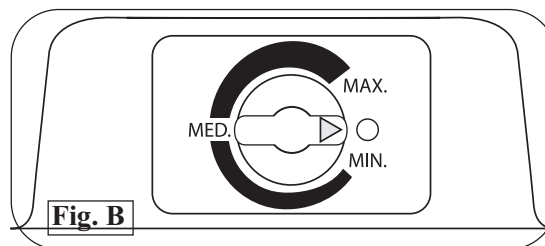
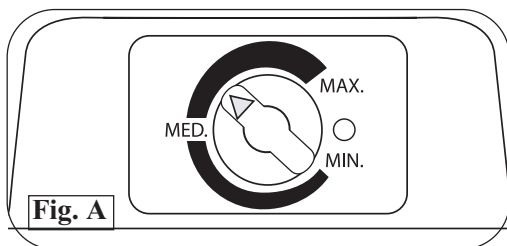
Para encender el centro de bebidas, gire el control de temperatura a la posición correspondiente de la temperatura deseada. La temperatura del centro de bebidas variará dependiendo de la cantidad de latas almacenadas y de la frecuencia con que se abra la puerta.

### Ajuste del control de temperatura:

La temperatura del compartimiento del centro de bebidas se controla ajustando la perilla del termostato, ubicada en el exterior de la pared trasera del gabinete.

Para encender el centro de bebidas y obtener el máximo enfriamiento rápidamente;

- Gire el control de temperatura completamente en sentido horario hasta el fondo (máximo) en la sección azul oscuro (ancha) de la perilla de control.
- Deje la unidad funcionando en este ajuste durante 3-4 horas.
- Una vez obtenido el máximo enfriamiento, disminuya el ajuste de la perilla de control de temperatura hasta la posición 10 en punto, en la sección de la perilla de control. Ver Fig. A.
- Para apagar el centro de bebidas, (no enfriar) gire la perilla de control a la posición "0" Ver Fig. B.



Gire la perilla de control a la posición "0" para desconectar temporalmente el ciclo de enfriamiento. Cuando no utilice el centro de bebidas durante mucho tiempo, desenchúfelo y deje la puerta parcialmente abierta.  
**NOTA:** Espere de 3 a 5 minutos antes de volver a encenderlo en caso de interrumpir el funcionamiento.

## DESCONGELAMIENTO

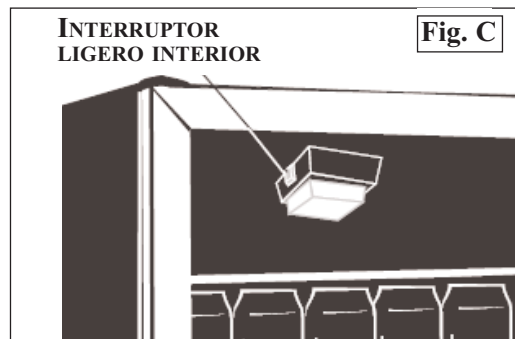
Su centro de bebidas está diseñado con un sistema automático de descongelamiento.

**¿Qué es un ciclo automático descongelamiento?** Las superficies refrigeradas del compartimiento para alimentos frescos se descongelan automáticamente durante el ciclo "apagado" del control de enfriamiento (Termostato). El agua de descongelamiento del compartimiento para alimentos frescos se elimina automáticamente siendo depositada en una bandeja ubicada sobre el compresor. La transferencia de calor desde el compresor hace que el agua de descongelamiento se evapore.

# INSTRUCCIONES DE OPERACIÓN

## LUZ INTERIOR

La operación de la luz interior puede ser manualmente controlada, o controlada con la abertura o el closing de la puerta. Para funcionar manualmente la luz; presione el interruptor eléctrico ligero interior, en el lado izquierdo de la cubierta ligera interior situada en el techo del gabinete interno (según las indicaciones de fig. C). Esto permitirá que la luz interior quede orientada mientras que la puerta es cerrada.



## INSTRUCCIONES DE ALMACENAMIENTO

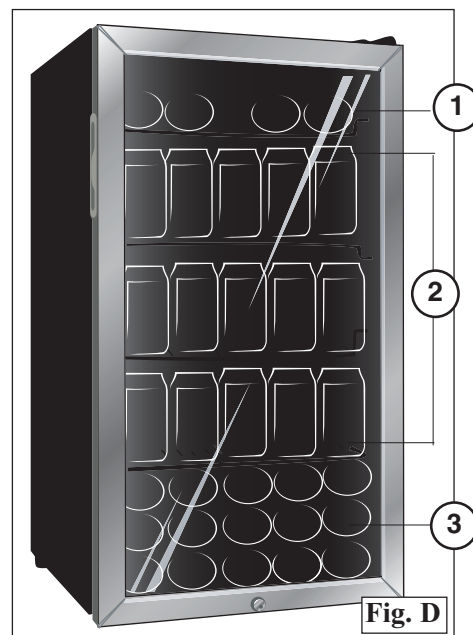
La capacidad del \*maximum del DBC120BLS es 113 latas (355mL).  
\*Cuando está almacenado después de instrucciones abajo.

Para alcanzar la capacidad máxima de 113 latas (355mL), siga estas instrucciones:

- 1) El primer estante sostiene ocho (8) latas 355mL, poniendo horizontalmente, 2 a través y 2 profundos, de cualquier lado del boquete en el estante (según lo visto en fig. D).
- 2) Los tres estantes siguientes llevan a cabo 25 latas cada uno, cuando están arreglados verticalmente, 5 latas a través, 5 latas profundamente, y colmo de 1 latas. (en Fig. D #2)
- 3) La sección inferior de su centro de la bebida lleva a cabo 30 latas, cuando está puesta horizontalmente, 5 latas a través, 2 latas profundamente y colmo de 3 latas

• Cuando se siguen las instrucciones antedichas, su centro de la bebida puede alcanzar una memoria de 113 latas (355mL).

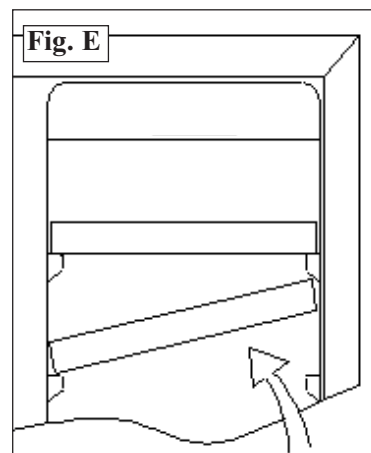
**Nota:** Quitando los dos estantes inferiores, es posible que la unidad acomode 120 latas.



## INSTRUCCIONES DEL ESTANTE

Para sacar un estante de suposición trabada, inclínelo como se indica en la Fig. E y tire hacia afuera.

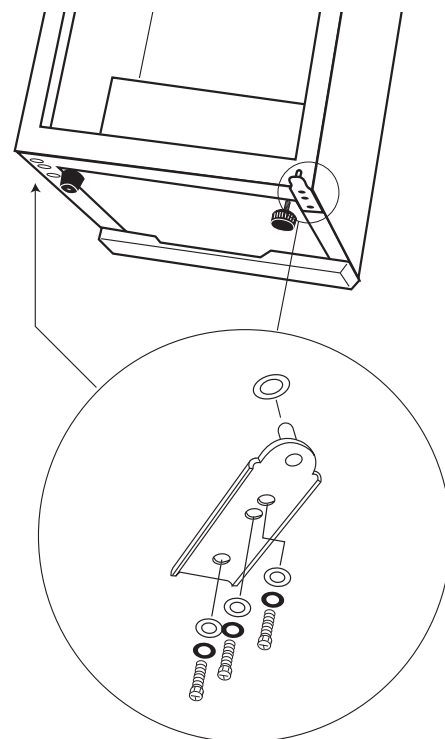
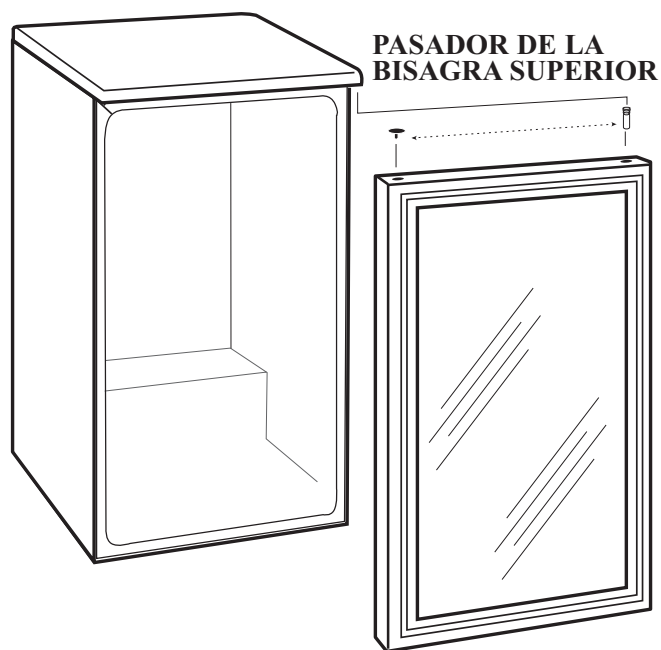
Para volver a trabar, verifique que esté apoyado firmemente en los soportes de montaje y empújelo hacia adentro hasta que se trabe en su lugar.



# INSTRUCCIONES DE INSTALACIÓN

## INVERSIÓN DE APERTURA DE PUERTA

- 1) Desenchufe la unidad del tomacorriente (si está conectada) y apóyela sobre la parte de atrás.
- 2) Quite los tornillos de la bisagra inferior como se muestra en la figures ci-dessus.
- 3) Empuje la puerta hacia abajo para quitarla del gabinete del centro de bebidas.
- 4) Quite el pasador de la bisagra superior izquierdo de la puerta y colóquela en el orificio superior derecho.
- 5) Quite la tapa plástica del lado izquierdo del gabinete y vuelva a instalarlas en el lado derecho (donde estaba antes la pasador de la bisagra superior).
- 6) Vuelva a colocar la puerta con cuidado, primero en la bisagra superior y luego en el gabinete.
- 7) Instale la bisagra inferior mientras mantiene la puerta cerrada.
- 8) Cierre la puerta y vuelva a colocar la unidad en posición vertical (espere 60 minutos antes devolver a enchufar el centro de bebidas), verifique que la puerta haya quedado bien alineada y que cierre bien contra el gabinete.



BISAGRA INFERIOR Y SOPORTE DE LA PUERTA

---

## CUIDADO Y LIMPIEZA

---

### CONSEJOS ÚTILES

Deje la puerta de la Centro de Bebidas abierta por unos minutos luego de limpiarla para que se ventile y para secar el interior del gabinete.

**NOTA:** Verifique que la unidad esté apagada antes de limpiar cualquiera de sus partes.

---

### CÓMO LIMPIAR EL INTERIOR

Nunca use un limpiador comercial o abrasivo u objetos filosos en ninguna parte de la centro de bebidas.

#### **Paredes, Piso, Interior de las Puertas y Estantes:**

Algunos sedimentos del agua y tierra pueden quitarse con una toalla seca de papel, otros pueden necesitar un trapo húmedo.

---

### CÓMO LIMPIAR EL EXTERIOR

No use limpiadores que tengan amoníaco o alcohol en la Centro de Bebidas. El amoníaco o el alcohol pueden dañar la apariencia del artefacto.

#### **Cubierta Exterior:**

Es importante mantener limpia la zona donde la puerta cierra contra el gabinete. Limpie esa área con trapo en jabonado. Enjuáguela y séquela completamente.

#### **Superficie de la Puerta:**

Use únicamente detergentes livianos, no abrasivos, aplicados con una esponja limpia o un trapo suave. Enjuáguelo bien.

#### **Puerta:**

Repáselo con un trapo húmedo y séquelo completamente. No use objetos abrasivos o filosos en el puerta ya que podría dañarlo.

## DIAGNÓSTICO DE PROBLEMAS

PROBLEMA	POSIBLE CAUSA	QUÉ HACER
<b>1) No Enciende.</b>	<ul style="list-style-type: none"> <li>• Puede tener un fusible quemado o una llave térmica abierta en su instalación eléctrica.</li> <li>• Sobrevoltaje.</li> <li>• El enchufe no está completamente insertado en el tomacorriente.</li> </ul>	<ul style="list-style-type: none"> <li>• Reemplace el fusible o encienda la llave general.</li> <li>• Desenchufe el equipo, espere unos segundos y vuelva a enchufarlo.</li> <li>• Verifique que el enchufe de 3 patas del equipo esté completamente insertado en el tomacorriente.</li> </ul>
<b>2) Temperatura del Gabinete demasiado alta.</b>	<ul style="list-style-type: none"> <li>• Ajuste la Temperatura.</li> <li>• La puerta no está cerrada correctamente o se han abierto demasiado.</li> <li>• Se han agregado recientemente muchas botellas tibias al gabinete.</li> </ul>	<ul style="list-style-type: none"> <li>• Verifique el ajuste de temperatura. Ajustelo si es necesario.</li> <li>• Verifique que la puerta estén completamente cerradas y que las juntas estén cerrando bien contra el gabinete. Abra la puerta sólo lo necesario y por poco tiempo.</li> <li>• Limite la cantidad de latas tibias que agregue en el gabinete al mismo tiempo.</li> </ul>
<b>3) Ruido “clic”.</b>	<ul style="list-style-type: none"> <li>• Ruido normal.</li> </ul>	<ul style="list-style-type: none"> <li>• No requiere la intervención del usuario ya que este sonido es normal durante el funcionamiento del artefacto. El ruido “clic” puede escucharse cuando el artefacto termina o comienza un ciclo de enfriamiento.</li> </ul>
<b>4) Condensación en el gabinete y/o las puertas</b>	<ul style="list-style-type: none"> <li>• Alta humedad en el ambiente.</li> <li>• La(s) puerta no está cerrada correctamente o se han abierto demasiado.</li> </ul>	<ul style="list-style-type: none"> <li>• La condensación disminuirá cuando las condiciones de humedad vuelvan a la normalidad.</li> <li>• Verifique que la puerta estén completamente cerradas y que las juntas estén cerrando bien contra el gabinete. Abra la puerta sólo lo necesario y por poco tiempo.</li> </ul>

Si ninguno de los casos anteriores soluciona su problema, llame a nuestro departamento de servicio al cliente al **1-800-26-Danby® (1-800-263-2629)**.



## REFRIGERADOR COMPACTOS GARANTÍA LIMITADA

Este producto de calidad está garantizado contra defectos de fabricación, incluyendo partes y mano de obra, siempre y cuando la unidad se utilice bajo las condiciones normales de funcionamiento para las que fue diseñado.

Esta garantía está solamente disponible para la persona que haya comprado originalmente esta unidad directamente de Danby o uno de sus distribuidores autorizados, y no es transferible.

### CONDICIONES DE LA GARANTÍA

Las piezas plásticas, se autorizan por treinta (30) días solamente a partir de la fecha de la compra, sin las extensiones proporcionadas.

*Primeros 12 Meses* Durante los primeros 12 meses, cualquier parte eléctrica de este producto que resulte defectuosa, incluyendo cualquier sistema sellado, será reparado o reemplazado, a opción del fabricante, sin cargo para el comprador ORIGINAL.

*Para obtener Servicio* Danby se reserva el derecho de limitar la cobertura de "Servicio en Domicilio" sujeto a la proximidad de un Taller de Servicio Autorizado. Para todo artefacto que requiera servicio fuera del área limitada de "Servicio en Domicilio", el cliente será responsable por transportar dicho artefacto hasta el Taller de Servicio Autorizado más cercano. Comuníquese con el distribuidor donde haya comprado la unidad, o llame al Taller de Servicio Autorizado más cercano, donde debe ser reparada por un técnico calificado. Si esta unidad es reparada en otro lugar que no sea un Taller de Servicio Autorizado, o si la unidad se utiliza para aplicaciones comerciales, Danby no se hará responsable de ninguna forma y la garantía será anulada.

Nada dentro de esta garantía implica que Danby será responsable por cualquier daño que hayan sufrido los alimentos u otros contenidos de este aparato, ya sea debido a un defecto del aparato, o su uso, adecuado o inadecuado.

### EXCLUSIONES

Salvo lo aquí indicado por Danby Products Limited (Canada) o por Danby Products Inc. (U.S.A.), no existen otras garantías, condiciones o representaciones, explícitas o implícitas, concretas o intencionales por parte de Danby Products Limited o sus distribuidores autorizados y todas las demás garantías, condiciones o representaciones, incluyendo cualquier garantía, condiciones o representaciones bajo cualquier Acta de Venta de Productos o legislación o estatuto similar, quedan de esta forma expresamente excluidas. Salvo lo aquí indicado, Danby Products Limited (Canada) o Danby Products Inc. (U.S.A) no serán responsables por ningún daño a personas o bienes, incluyendo la propia unidad, sin importar su causa, o de ningún daño indirecto causado por el desperfecto de la unidad, y al comprar esta unidad, el comprador acepta por la presente, indemnizar y proteger a Danby Products Limited contra cualquier reclamo por daños a personas o bienes causados por la unidad.

### CONDICIONES GENERALES

No se considerará ninguna de estas garantías o seguros cuando el daño o la necesidad de reparación sea el producto de los siguientes casos:

- 1) Falla del suministro eléctrico.
- 2) Daños en tránsito o durante el transporte de la unidad.
- 3) Alimentación incorrecta, como bajo voltaje, instalación eléctrica defectuosa o fusibles inadecuados.
- 4) Accidente, modificación, abuso o uso incorrecto del artefacto, tal como insuficiente ventilación del ambiente o condiciones de operación anormales (temperatura ambiente extremadamente alta o baja).
- 5) Utilización comercial o industrial.
- 6) Incendio, daños por agua, robo, guerra, disturbios, hostilidades, actos de fuerza mayor como huracanes, inundaciones, etc.
- 7) Pedidos de servicio debido a desinformación del usuario.

Para acceder a la garantía se solicitará un comprobante de compra; por lo tanto, guarde su recibo. En caso de necesitar servicio de garantía, presente ese documento al TALLER DE SERVICIO AUTORIZADO.

#### Servicio de Garantía

Ensu Domicilio para modelos 3.0 p<sup>3</sup> o mayores

Danby Products Limitée  
PO Box 1778, Guelph, Ontario, Canadá N1H 6Z9  
Teléfono: (519) 837-0920 Fax: (519) 837-0449

07/08

Danby Products Inc.  
PO Box 669, Findlay, Ohio, U.S.A. 45839-0669  
Teléfono: (419) 425-8627 FAX: (419) 425-8629

# Danby®

Model • Modèle • Modelo  
DBC120BLS

For service, contact your nearest service depot or call:  
**1-800-26-Danby®**  
**(1-800-263-2629)**  
to recommend a depot in your area.

Pour obtenir le service, consultez votre succursale régionale de service ou téléphonez:  
**1-800-26-Danby®**  
**(1-800-263-2629)**  
qui vous recommandera un centre régional.

Para servicio, comuníquese con su Departamento de Servicios más cercano o llame al:  
**1-800-26-Danby®**  
**(1-800-263-2629)**  
para que le recomienden un Departamento de Servicios en su zona.

## FREE STANDING BEVERAGE CENTER

The model number can be found on the serial plate located on the back panel of the unit. All repair parts available for purchase or special order when you visit your nearest service depot. To request service and/or the location of the service depot nearest you, call the TOLL FREE NUMBER.

When requesting service or ordering parts, always provide the following information:

- Product Type
- Model Number
- Part Description

## CENTRE DE BREUVAGES AUTONOME

Le numéro du modèle se trouve sur la plaque d'identification située sur le panneau arrière de l'appareil. Il est possible d'acheter les pièces de rechange ou de les obtenir par commande spéciale en vous rendant à votre service après-vente le plus proche. Pour effectuer des réparations ou obtenir l'adresse du service après-vente le plus proche, veuillez composer le NUMÉRO SANS FRAIS.

Pour effectuer des réparations ou commander des pièces de rechange, veuillez donner les renseignements suivants:

- Type de modèle
- Numéro du modèle
- Description des pièces

## CENTRO DE BEBIDAS AUTÓNOMO

El número de modelo se encuentra en la placa de serie, ubicada en el tablero posterior de la unidad. Puede comprar todos los repuestos o hacer un pedido especial visitando el establecimiento de servicio más cercano a su domicilio. Llame al TELÉFONO GRATUITO para obtener servicio de mantenimiento o la dirección del establecimiento de servicio más cercano a su domicilio.

Siempre, al solicitar servicio de mantenimiento o hacer un pedido de repuestos, debe suministrar la siguiente información:

- Tipo de artefacto
- Número de modelo
- Descripción del repuesto