



## ***INSTALLATION INSTRUCTIONS***

### ***36 INCH REFRIGERATOR***

*For Use With Models: EF36BNF, EF36LNF, EF36RNF, IF36BNDF, PF36BNDF*

**Francis - Voir Page 9**

**All specifications subject to change without notice  
Dacor assumes no liability for changes to specifications**

# TABLE OF CONTENTS

<b>Refrigerator Safety</b> .....	<b>1</b>	<b>Installation Instructions</b> .....	<b>4-8</b>
<b>Installation Recommendations</b> .....	<b>1</b>	Door and Drawer Front Removal.....	4
<b>Design Specifications</b> .....	<b>2</b>	Reinstalling the Drawer Front .....	5
Door Swing Dimensions .....	2	Reinstalling the Door(s) .....	5
Product Dimensions.....	2	Connecting the Water Supply .....	6
<b>Installation Specifications</b> .....	<b>2-3</b>	Plug in Refrigerator.....	6
Tools and Parts .....	2	Move Unit to Final Position.....	7
Location Requirements.....	3	Leveling.....	7
Cabinet Layout.....	3	Handle Installation .....	7
Water Supply Requirements .....	3	Properly Dispose of Your Old Refrigerator .....	7
Electrical Requirements.....	3	Installation Check List.....	8

## REFRIGERATOR SAFETY

### Your safety and the safety of others are very important.

We have provided many important safety messages in this manual and on your appliance. Always read and obey all safety messages.



This is the safety alert symbol.

This symbol alerts you to potential hazards that can kill or hurt you and others. All safety messages will follow the safety alert symbol and either the word "DANGER" or "WARNING."

These words mean:

**⚠ DANGER**

**You can be killed or seriously injured if you don't immediately follow instructions.**

**⚠ WARNING**

**You can be killed or seriously injured if you don't follow instructions.**

All safety messages will tell you what the potential hazard is, tell you how to reduce the chance of injury, and tell you what can happen if the instructions are not followed.

**⚠ WARNING**

**Suffocation Hazard**

**Remove the doors from your old refrigerator. Failure to do so can result in death or brain damage.**

**⚠ WARNING**

**Explosion Hazard**

**Keep flammable materials and vapors, such as gasoline, away from the refrigerator. Failure to do so can result in death, explosion, or fire.**

### IMPORTANT SAFETY INSTRUCTIONS

**WARNING:** To reduce the risk of fire, electric shock, or injury to persons when using the refrigerator, follow basic precautions, including the following:

- Plug into a grounded 3 prong outlet.
- Do not remove ground prong.
- Do not use an adapter.
- Do not use an extension cord.
- Disconnect power before servicing.
- Replace all parts and panels before operating.
- Use nonflammable cleaner.
- Keep flammable materials and vapors, such as gasoline, away from refrigerator.
- Use two or more people to move and install refrigerator.
- Disconnect power before installing ice maker (on ice maker kit ready models only).
- Remove doors from your old refrigerator.

**SAVE THESE INSTRUCTIONS**

## INSTALLATION RECOMMENDATIONS

The importance of the installation of the Dacor refrigerator cannot be overemphasized. Installation should be done by a qualified installer.

Before you begin the installation process, it is recommended that you read these installation instructions completely. There are key details that you should take special care to observe during the installation process.

By reading these instructions carefully, you will make the installation process easier, problem-free and, most importantly, safe.

Any questions or problems with the installation should be directed to your Dacor dealer or the Dacor Customer Service Team at (800) 793-0093. You can also visit our web site at [www.Dacor.com](http://www.Dacor.com).

# DESIGN SPECIFICATIONS

## PRODUCT DIMENSIONS

- ◇ The depth from the front of the door (w/o door handles) to the back of the refrigerator chassis is 26 7/8" (683 mm).
- ◇ The depth of the cabinet less the door is 24 1/8" (613 mm).
- ◇ The power cord is 60" (1524 mm) long.
- ◇ The height from the top of the refrigerator to the floor with the leveling legs in the down position is 70 1/8" (1781 mm)
- ◇ The height from the top of the refrigerator to the floor with the leveling legs in the fully extended position is 71 1/4" (1810 mm) at the front of the unit and 70 11/16" (1796 mm) at the rear of the unit.
- ◇ The refrigerator width from edge to edge is 35 5/8" (905 mm).

## DOOR SWING DIMENSIONS

The area to the left and the right of the appliance must permit both doors to open to a minimum of 90°. Allow a minimum of 2 1/2" (64 mm) space between the side of the refrigerator doors and a corner wall.

# INSTALLATION SPECIFICATIONS

## TOOLS AND PARTS

### IMPORTANT:

- ◇ **Installer:** Leave these installation instructions with the homeowner.
- ◇ **Homeowner:** Keep these installation instructions for future reference. Save these installation instructions for the local electrical inspector's use.

### Tools needed:

Make sure that you have the necessary tools and materials available for a proper installation.

- ◇ Phillips screwdriver set
- ◇ Slotted screwdriver set
- ◇ Torx drive screwdriver set
- ◇ Provide sufficient length 8' (2.4 m) to allow for a minimum of a 24" (610 mm) diameter service loop of 1/4" (6 mm) copper tubing for the water line.
- ◇ Copper tubing cutter
- ◇ Level - 2' (.6 m) and 4' (1.2 m) recommended
- ◇ Appliance dolly able to support 700 lbs (317 kg) and adequate manpower to handle the weight of the appliance
- ◇ Various sized pliers
- ◇ Allen wrench set
- ◇ 3/8" hex bolt nut driver or socket set
- ◇ Crescent wrenches
- ◇ Cordless drill and assorted drill bits
- ◇ Masonite, plywood, 1/8" pressed fiberboard, cardboard or other suitable material to protect finished flooring
- ◇ Appropriate materials to cover and protect the home and its furnishings during installation

## LOCATION REQUIREMENTS

Your Dacor refrigerator can be recessed in an opening between cabinets or installed at the end of a cabinet run using a side panel to enclose the refrigerator.

### **WARNING**



#### **Explosion Hazard**

**Keep flammable material and vapors, such as gasoline, away from the refrigerator.**

**Failure to do so can result in death, explosion, or fire.**

### IMPORTANT:

- ◇ Observe all governing codes and ordinances.
- ◇ To ensure proper ventilation for your refrigerator, allow for a 1/2" (1.25 mm) space at the top and behind the refrigerator.
- ◇ Do not install the refrigerator near an oven, radiator or other heat source, nor in a location where the temperature will fall below 55°F (13°C).
- ◇ Allow a minimum of 2 1/2" (64 mm) space between the side of the refrigerator and an oven or range.
- ◇ The floor must be able to support the refrigerator's weight of more than 600 lbs (272 kg), the door panels and the contents of the refrigerator.
- ◇ The ceiling height must allow for side tipping radius.
- ◇ The location should permit doors to open fully.

### **WARNING**

#### **Excessive Weight Hazard**

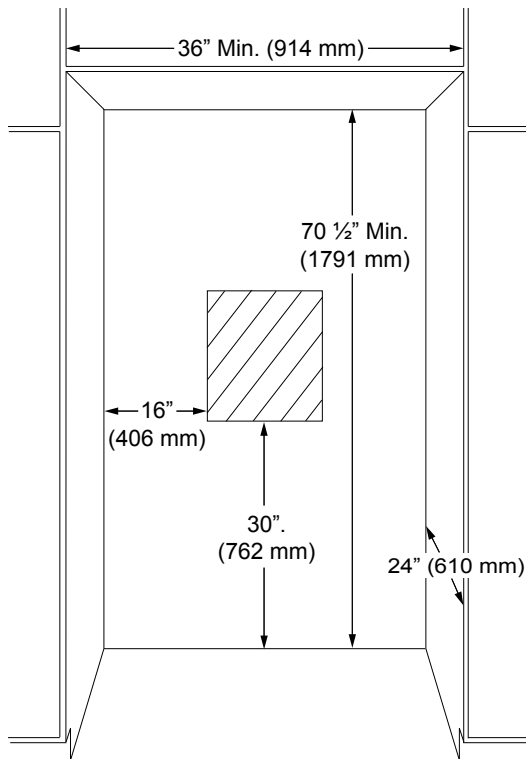
**Use two or more people to move and install the refrigerator.**

**Failure to do so can result in back or other injury.**

# INSTALLATION SPECIFICATIONS

## CABINET LAYOUT

- ◇ A grounded three prong non-GFCI electrical outlet must be provided and should be in a location that allows the refrigerator to be connected without an extension cord. See "Electrical Requirements" for additional information.
- ◇ The plumbing for the water line can come through the floor flush to or from the back wall. Install the water valve in a location that allows it to be turned off without moving the refrigerator out in the event the refrigerator or water line requires service.
- ◇ For model IF36, see document 100504 for instructions on planning and installing integrated front panels. It is available at [www.Dacor.com](http://www.Dacor.com).



**WATER VALVE LOCATION - APPROXIMATE DIMENSIONS**

## WATER SUPPLY REQUIREMENTS

- ◇ All installations must meet local plumbing code requirements.
- ◇ Use 1/4" (6 mm) copper line to connect the refrigerator to the house cold fresh water supply.
- ◇ Install a shut off valve between the refrigerator and water supply. The shut off valve should be a drilled saddle valve. See the diagram above for recommended location.
- ◇ Do not use a piecing type or 3/16" (4.76 mm) saddle valve which will reduce water flow and clog more easily.
- ◇ Allow a minimum of 24" (610 mm) diameter service loop of copper tubing outside the wall or floor for easy connection to the water supply.

### Cold water supply

Connect the ice maker to a cold water line with water pressure between 35 and 120 psi. If you have any questions about your water pressure, call your utility company.

### Reverse osmosis water supply

**IMPORTANT:** The pressure of the water supply coming out of a reverse osmosis system going to the water inlet valve of the refrigerator needs to be between 35 and 120 psi (241 and 827 kPa).

If a reverse osmosis water filtration system is connected to your cold water supply, the water pressure to the reverse osmosis system needs to be a minimum of 40 to 60 psi (276 to 414 kPa).

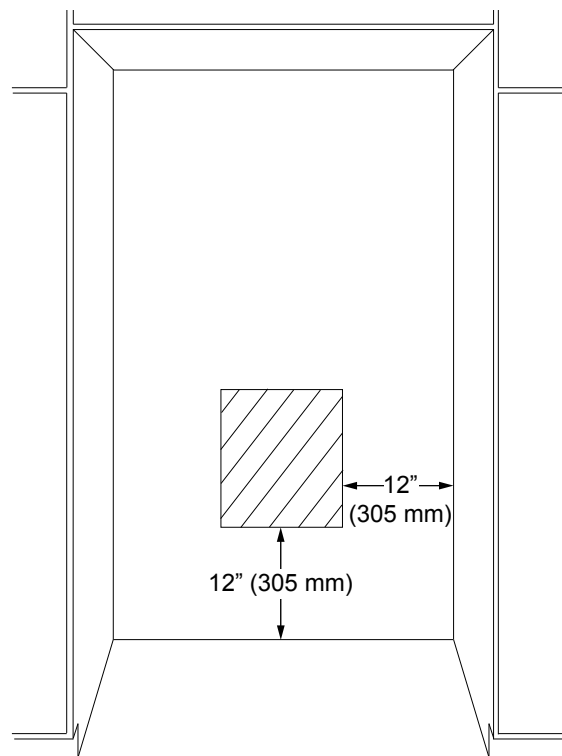
If the water pressure to the reverse osmosis system is less than 40 to 60 psi (276 to 414 kPa):

- Check to see whether the sediment filter in the reverse osmosis system is blocked. Replace the filter if necessary.
- Allow the storage tank on the reverse osmosis system to refill after heavy usage.
- If your refrigerator has a water filter, it may further reduce the water pressure when used in conjunction with a reverse osmosis system. Remove the water filter. See "Water Filtration System."

If you have questions about your water pressure, call a licensed, qualified plumber.

## ELECTRICAL REQUIREMENTS

A 115 Volt, 60 Hz. AC only 15 or 20 amp fused, grounded electrical supply is required. It is recommended that a separate circuit serving only your refrigerator be provided. Use an outlet that cannot be turned off by a switch. Do not use an extension cord.



**ELECTRICAL LOCATION - APPROXIMATE DIMENSIONS**

# INSTALLATION INSTRUCTIONS

## DOOR AND DRAWER FRONT REMOVAL

Some installations require door and drawer front removal before transporting the refrigerator through doorways to the location where it will be used.

### ⚠ WARNING



#### Electric Shock Hazard

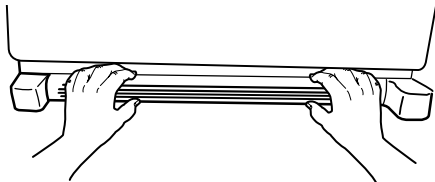
Disconnect power before removing doors.

Failure to do so can result in death or electrical shock.

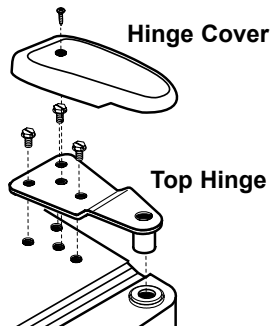
### TO REMOVE THE DOOR:

1. Unplug the power cord from the power source.

2. Remove the toe grille.

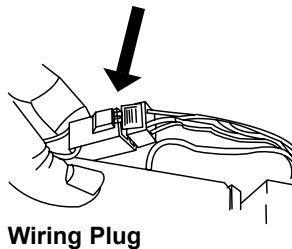


3. Remove the top hinge cover from the refrigerator door by removing the Phillips screw. Retain the screw and cover for later use.

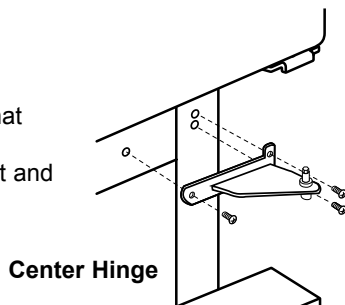


4. Unscrew the 5/16" hex head screws from the top hinge. Remove the hinge and retain it and all screws for later use.

5. On 3 door (french door) models, disconnect the wiring plug located on top of the left top hinge by wedging a flat-blade screwdriver between the two sections.



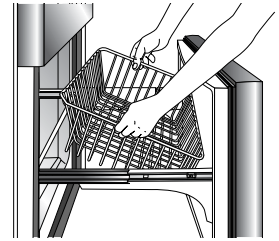
6. Lift the refrigerator door(s) from center hinge pin.



7. Remove the Phillips screws that hold the center hinge in place. Remove the hinge and retain it and all screws for later use.

### TO REMOVE THE DRAWER FRONT:

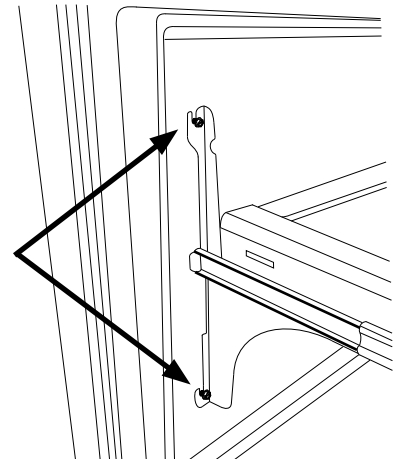
1. Pull the freezer drawer completely open.
2. Tilt the lower basket forward and lift to remove.



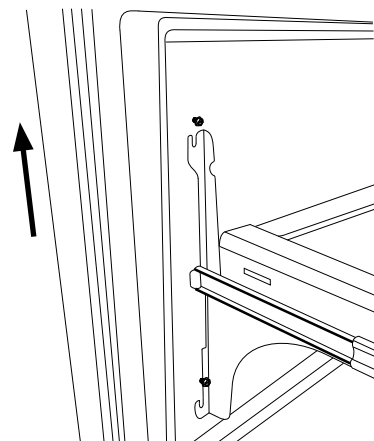
3. Loosen the four (4) screws attaching the drawer brackets to the drawer front as shown below.

**NOTE:** Loosen the screws only three to four turns. Do not remove the screws from the drawer front.

Loosen screws on both sides of the drawer front.



4. Lift the drawer front upward and off the screws.

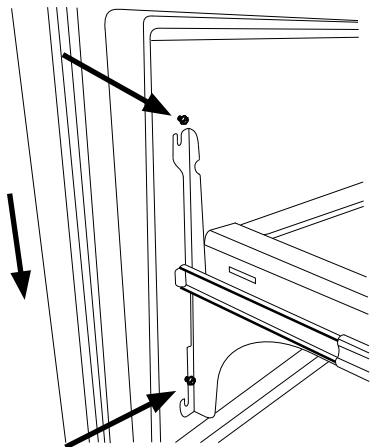


# INSTALLATION INSTRUCTIONS

## REINSTALLING THE DRAWER FRONT

After the moving the refrigerator to the location where it will be used, reinstall the door(s) and freezer drawer front.

1. Slide the screws on the back of the drawer front into the slots in the drawer brackets on both sides. You may need to move the bottom of the bracket around slightly to get the slot to line up with the screw.



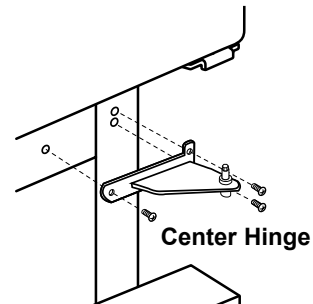
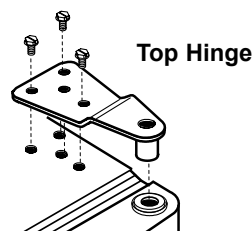
2. Tighten the four front panel screws completely. Do not over-tighten.
3. Place the freezer basket back onto the drawer slides.



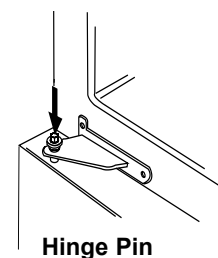
## REINSTALLING THE DOOR(S)

Install the hinge assemblies:

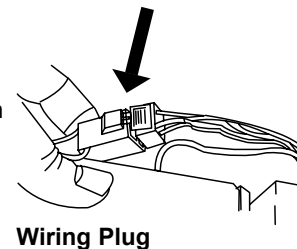
1. Install the top hinge loosely using the existing 5/16" hex head screws.
2. Install the center hinge using the existing Phillips screws.



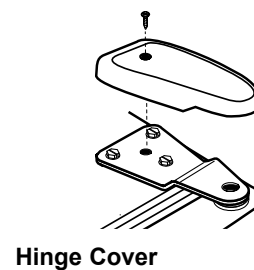
3. Place the hinge side of the refrigerator door on the center hinge pin.
4. While holding the refrigerator door upright, tighten down the top hinge with a 5/16" hex head driver.



5. On 3 door (french door) models, reconnect the wiring plug located on top of the left top hinge.



6. Replace the hinge cover using the existing Phillips screw.



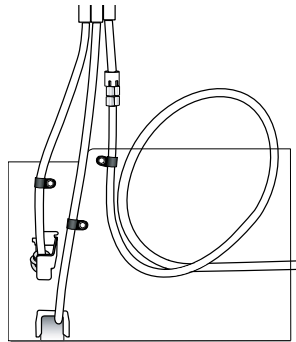
# INSTALLATION INSTRUCTIONS

## CONNECTING THE WATER SUPPLY

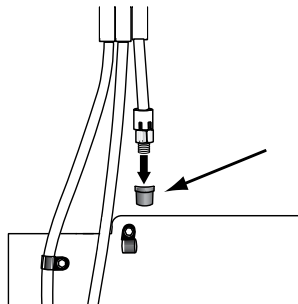
### Materials Needed:

- 1/4" outer diameter flexible copper tubing
- Shut-off valve (requires a 1/4" hole to be drilled into water supply line before valve attachment)
- Adjustable wrench
- 1/4" hex nut driver

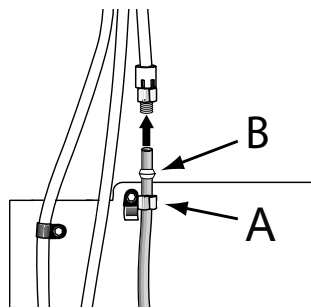
1. Unplug the refrigerator from the electrical outlet.
2. Create service loop with copper tubing (minimum 2' diameter). Avoid kinks in the copper tubing when bending it into a service loop. Do not use plastic tubing.



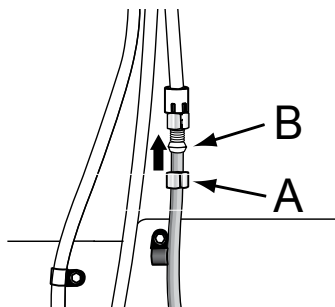
3. Remove the plastic cap from water valve inlet port.



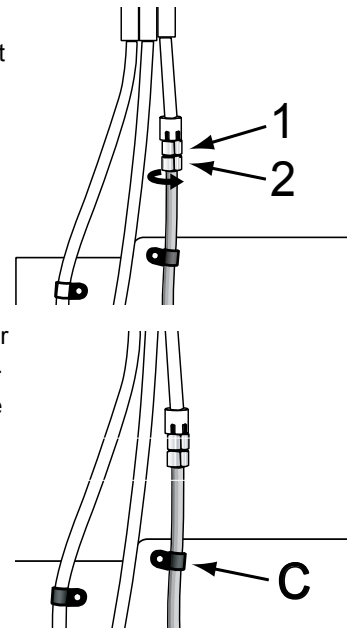
4. Place the brass nut (A) and sleeve (B) on the end of the copper tube as illustrated. **Reminder:** Do not use an old sleeve. The nut and sleeve are provided in the use and care packet.



5. Place the end of the copper tubing into the water valve inlet port. Shape the tubing slightly. Do not kink the tubing so that it feeds straight into the inlet port.



6. Slide the brass nut over the sleeve and screw it into the inlet port.
7. Place an adjustable wrench on the nut (1) attached to the plastic waterline. Maintain position.
8. Using a second adjustable wrench, turn the lower nut (2) counterclockwise and fully tighten it while holding the upper nut in place. Do not overtighten.
9. Pull on the tubing to confirm the connection is secure. Connect the tubing to the frame with the water tubing clamp (C).
10. Turn on the water supply. Check for leaks and correct if necessary. Continue to observe the water supply connection for two to three hours prior to moving the refrigerator to its permanent location. Monitor the water connection for 24 hours. Correct leaks if necessary.



## PLUG IN REFRIGERATOR

### ⚠ WARNING

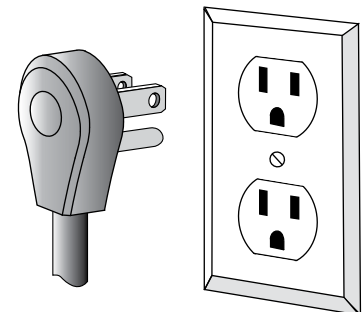


#### Electric Shock Hazard

- Plug the refrigerator into a grounded 3-prong outlet.**
- Do not remove ground prong.**
- Do not use an adapter.**
- Do not use an extension cord.**
- Failure to follow these instructions can result in death, fire, or electrical shock.**

Plug the refrigerator into a grounded three prong outlet.

**NOTE:** Allow 24 hours to produce the first batch of ice. Discard the first three batches of ice produced. Allow three days to completely fill the ice container.





# INSTALLATION INSTRUCTIONS

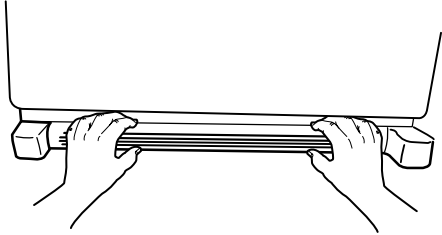
## MOVE UNIT TO FINAL POSITION

### **When Moving Your Refrigerator:**

Your refrigerator is heavy. When moving the refrigerator for cleaning or service, be sure to protect the floor. Always pull the refrigerator straight out when moving it. Do not wiggle or “walk” the refrigerator when trying to move it. Floor damage could occur.

## LEVELING

1. Remove the base grille. Grasp the grille firmly and pull it toward you.

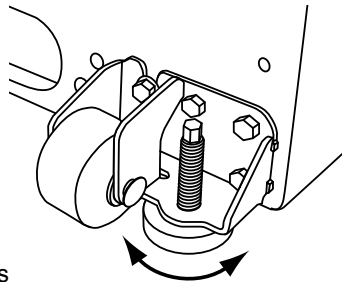


2. Using a 1/4” hex driver, turn the leveling screw on each side to raise or lower that side of the refrigerator.

### **NOTE**

Having someone push against the top of the refrigerator takes some weight off the adjustment screws and rollers. Doing so makes it easier to turn the screws.

- To raise, turn the adjustment screw clockwise.
  - To lower, turn the adjustment screw counter-clockwise.
3. Open the door again to make sure that it closes as easily as you like. If not, tilt the refrigerator slightly more to the rear by turning both adjustments screws clockwise. It may take several more turns, and you should turn both adjustment screws the same amount.



4. Replace the base grill.

## HANDLE INSTALLATION

- Some units do not come with the handle installed to allow the customer to choose the handle style. Optional handle kits are also available for other models that come with the handle already installed. See the use and care manual for a list of available handle kits.
- The installation instructions for the handle are included with the kit.

## PROPERLY DISPOSE OF YOUR OLD REFRIGERATOR

### **⚠ WARNING**

#### **Suffocation Hazard**

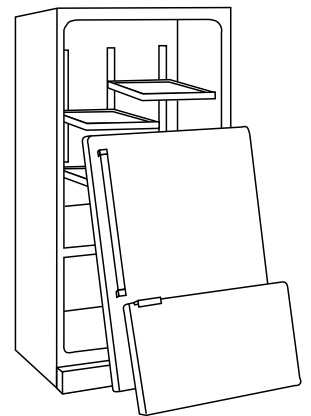
**Remove doors from your old refrigerator.**

**Failure to do so can result in death or brain damage.**

**IMPORTANT:** Child entrapment and suffocation are not problems of the past. Junked or abandoned refrigerators are still dangerous even if they sit out for “just a few days.” If you are getting rid of your old refrigerator, please follow the instructions below to help prevent accidents.

### **Before you throw away your old refrigerator or freezer:**

- Take off the doors.
- Leave the shelves in place so children may not easily climb inside.



# INSTALLATION INSTRUCTIONS

## INSTALLATION CHECKLIST

The importance of the proper installation of your Dacor refrigerator cannot be overemphasized. Proper installation is the responsibility of the homeowner.

**IMPORTANT:** To ensure a safe and proper installation, the following checklist should be completed by the installer to ensure that no part of the installation has been overlooked.

Any questions or problems with this installation should be directed to your Dacor dealer or the Dacor Customer Service Team at (800) 793-0093 or email [customerservice@Dacor.com](mailto:customerservice@Dacor.com). You may also visit our web site at [www.Dacor.com](http://www.Dacor.com).

- Are all the leveling legs extended down to make contact with the floor? Is the unit level?
- Is the power cord plugged into a properly grounded dedicated three prong, grounded outlet, which had been installed in accordance with all applicable electrical codes?
- Is the water supply connected? Have you checked for leaks?
- Has the base grill been installed properly?
- Has the old refrigerator been disposed of safely and properly?
- Have any problems been noted on the warranty card or during the on-line activation? Has the warranty been activated online or has the warranty card been filled out and mailed?

If you need service, be sure to have the model and serial numbers when you call. You'll find these numbers on the serial number plate, located on the right hand side of the fresh food compartment.

Contact a Dacor authorized service representative, a Dacor dealer, or the Dacor Customer Service Team at (800) 793-0093.



## ***INSTRUCTIONS D'INSTALLATION***

### **RÉFRIGÉRATEUR DE 36 POUCES**

*À utiliser avec les modèles suivants: EF36BNF, EF36LNF, EF36RNF, IF36BNDF, PF36BNDF*

# TABLE OF CONTENTS

<b>Sécurité du Réfrigérateur</b> .....	<b>11</b>	<b>Instructions d'installation</b> .....	<b>14-18</b>
<b>Conseils D'installation</b> .....	<b>11</b>	Enlèvement de la Porte (ou des Portes) et de La Façade	
<b>Caractéristiques Physiques</b> .....	<b>12</b>	du Tiroir.....	14
Dimensions du Produit.....	12	Remontage de la Façade du Tiroir.....	15
<b>Prescriptions D'installation</b> .....	<b>12-13</b>	Remontage de la Porte (ou des Portes).....	15
Outils et Pièces.....	12	Raccordement de L'arrivée D'eau .....	16
Conditions Requises pour L'emplacement .....	12	Branchement du Réfrigérateur .....	16
Implantation de L'armoire .....	13	Déplacement de l'appareil Jusqu'à son Emplacement Définitif	17
Conditions Requises pour L'alimentation en Eau.....	13	Mise à Niveau.....	17
Spécifications Électriques.....	13	Montage des Poignées .....	17
		Mise au Rebut Correcte d'un Réfrigérateur Usagé .....	17
		Vérification de L'installation .....	18

**Les spécifications figurant dans ce manuel sont susceptibles d'être modifiées sans préavis.  
DACOR n'assumera aucune responsabilité en cas de modification de ces spécifications.**

# SÉCURITÉ DU RÉFRIGÉRATEUR

## Votre sécurité et celle des autres est très importante.

Nous donnons de nombreux messages de sécurité importants dans ce manuel et sur votre appareil ménager. Assurez-vous de toujours lire tous les messages de sécurité et de vous y conformer.



Voici le symbole d'alerte de sécurité.

Ce symbole d'alerte de sécurité vous signale les dangers potentiels de décès et de blessures graves à vous et à d'autres. Tous les messages de sécurité suivront le symbole d'alerte de sécurité et le mot "DANGER" ou "AVERTISSEMENT". Ces mots signifient:

**⚠ DANGER**

Risque possible de décès ou de blessure grave si vous ne suivez pas immédiatement les instructions.

**⚠ AVERTISSEMENT**

Risque possible de décès ou de blessure grave si vous ne suivez pas les instructions.

Tous les messages de sécurité vous diront quel est le danger potentiel et vous disent comment réduire le risque de blessure et ce qui peut se produire en cas de non-respect des instructions.

**⚠ AVERTISSEMENT**

**Risque d'explosion**

**Garder les matériaux et les vapeurs inflammables, telle que l'essence, loin du réfrigérateur.**

**Le non-respect de cette instruction peut causer un décès, une explosion ou un incendie.**

**⚠ AVERTISSEMENT**

**Risque de suffoquer**

**Enlever les portes de votre vieux réfrigérateur.**

**Le non-respect de cette instruction peut causer un décès ou des lésions cérébrales.**

## INSTRUCTIONS IMPORTANTES DE SÉCURITÉ

**AVERTISSEMENT:** Pour réduire les risques d'incendie, de choc électrique ou des blessures lors de l'utilisation du réfrigérateur, prendre quelques précautions fondamentales, y compris les suivantes:

- Brancher l'appareil sur une prise à 3 alvéoles reliée à la terre.
- Ne pas enlever la broche de liaison à la terre.
- Ne pas utiliser un adaptateur.
- Ne pas utiliser un câble de rallonge.
- Utiliser deux ou plus de personnes pour déplacer et installer le réfrigérateur.
- Débrancher la source de courant électrique avant l'entretien.
- Replacer pièces et panneaux avant de faire la remise en marche.
- Utiliser un produit de nettoyage ininflammable.
- Garder les matériaux et les vapeurs inflammables, telle que l'essence, loin du réfrigérateur.
- Débrancher le réfrigérateur avant l'installation de la machine à glaçons (seulement pour modèles prêts à recevoir une machine à glaçons).
- Enlever les portes de votre vieux réfrigérateur.

**CONSERVEZ CES INSTRUCTIONS**

## CONSEILS D'INSTALLATION

L'importance de l'installation du réfrigérateur Dacor ne doit pas être négligée. L'installation doit être effectuée par un installateur qualifié.

Avant de commencer l'installation, il est conseillé de lire en totalité ces instructions d'installation. Elles contiennent des détails essentiels que vous devez observer avec le plus grand soin pendant le processus d'installation.

En lisant ces instructions avec attention, le processus d'installation est plus facile, sans problème et, plus important encore, sans danger.

Toute question ou problème relatif à l'installation doit être adressé à votre revendeur Dacor ou au service à la clientèle de Dacor au numéro (800) 793-0093. Vous pouvez également visiter notre site Web à l'adresse [www.Dacor.com](http://www.Dacor.com).

# CARACTÉRISTIQUES PHYSIQUES

## DIMENSIONS DU PRODUIT

- ◇ La profondeur depuis l'avant de la porte (sans poignées) jusqu'à l'arrière du châssis du réfrigérateur est de 26 7/8" (683 mm).
- ◇ La profondeur de l'armoire sans la porte est de 24 1/8" (613 mm).
- ◇ La longueur du cordon d'alimentation est de 60" (1524 mm).
- ◇ La hauteur depuis le haut du réfrigérateur jusqu'au sol, pieds de mise à niveau en position basse, est de 70 1/8" (1781 mm).
- ◇ La hauteur depuis le haut du réfrigérateur jusqu'au sol, pieds de mise à niveau allongés au maximum, est de 71 1/4" (1810 mm) à l'avant et de 70 11/16" (1796 mm) à l'arrière.
- ◇ La largeur du réfrigérateur d'un bord à l'autre est de 35 5/8" (905 mm).
- ◇ L'espace à gauche et à droite du réfrigérateur doit permettre l'ouverture des deux portes jusqu'à un angle minimal de 90°. Laisser un espace d'au moins 2 1/2" (64 mm) entre la tranche des portes du réfrigérateur et le mur.

## PRESCRIPTIONS D'INSTALLATION

### OUTILS ET PIÈCES

#### IMPORTANT:

- ◇ **Installateur:** Laisser ces instructions d'installation au propriétaire.
- ◇ **Propriétaire:** Conserver ces instructions d'installation pour vous y reporter en cas de besoin. Conserver ces instructions d'installation à l'intention du contrôleur d'installations électriques local.

#### Outillage Nécessaire:

Vérifiez que vous disposez de tous les outils et matériaux nécessaires à une installation correcte.

- ◇ Jeu de tournevis Phillips
- ◇ Jeu de tournevis plats
- ◇ Jeu de tournevis Torx
- ◇ Prévoir une longueur suffisante de 8' (2,4 m) pour une boucle de service de diamètre minimal de 24" (610 mm) en tube de cuivre de 1/4" (6 mm) pour la canalisation d'eau.
- ◇ Coupe-tubes cuivre
- ◇ Niveau: longueur 2' (0,6 m) et 4' (1,2 m) recommandée
- ◇ Châssis roulant capable de supporter 700 lbs (317 kg) et nombre de personnes suffisant pour manier le poids du réfrigérateur
- ◇ Pincettes de dimensions variées
- ◇ Jeu de clés Allen
- ◇ Jeu de douilles ou clés à douille hexagonale de 3/8"
- ◇ Clés à molette
- ◇ Perceuse sans fil et jeu de forets
- ◇ Masonite, contreplaqué, panneau pressé de 1/8", carton ou autre matériau adéquat pour protéger le sol
- ◇ Matériaux appropriés pour couvrir et protéger le domicile et son mobilier pendant l'installation

### CONDITIONS REQUISES POUR

#### L'EMPLACEMENT

Votre réfrigérateur Dacor peut être encastré dans un espace situé entre deux meubles de cuisine ou installé à la fin d'une série de meubles à l'aide d'un panneau latéral qui confine le réfrigérateur.

### ⚠ AVERTISSEMENT



#### Risque d'explosion

**Garder les matériaux et les vapeurs inflammables, telle que l'essence, loin du réfrigérateur.**

**Le non-respect de cette instruction peut causer un décès, une explosion ou un incendie.**

#### IMPORTANT:

- ◇ Respecter tous les codes et règlements en vigueur.
- ◇ Pour garantir une aération adéquate du réfrigérateur, laisser un espace de 1/2" (1,25 mm) au-dessus et à l'arrière du réfrigérateur.
- ◇ Ne pas installer le réfrigérateur près d'un four, d'un radiateur ou d'une autre source de chaleur, ni dans un endroit où la température descend en dessous de 55°F (13°C).
- ◇ Laisser un espace d'au moins 2 1/2" (64 mm) entre le flanc du réfrigérateur et un four ou une cuisinière.
- ◇ Le sol doit être capable de supporter le poids du réfrigérateur, supérieur à 600 lbs (272 kg), des portes et du contenu du réfrigérateur.
- ◇ La hauteur de plafond doit être suffisante pour pouvoir basculer le réfrigérateur sur le côté.
- ◇ L'emplacement choisi doit permettre l'ouverture complète des portes.

### ⚠ AVERTISSEMENT

#### Risque du poids excessif

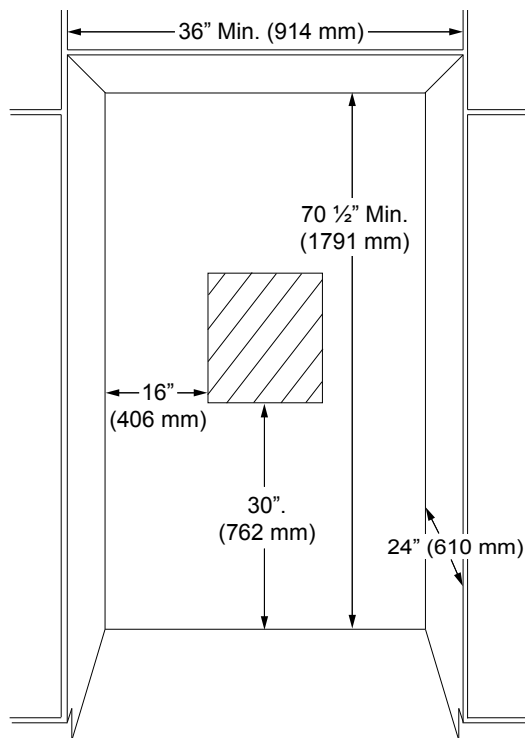
**Utiliser deux ou plus de personnes pour déplacer et installer le réfrigérateur.**

**Le non-respect de cette instruction peut causer une blessure au dos ou d'autre blessure.**

# PRESCRIPTIONS D'INSTALLATION

## IMPLANTATION DE L'ARMOIRE

- ◇ Une prise électrique non GFCI avec borne de terre doit être prévue dans un endroit permettant le raccordement du réfrigérateur sans rallonge. Voir « Spécifications électriques » pour plus d'informations.
- ◇ La plomberie de la canalisation d'eau peut venir du sol ou du mur arrière. Installer le robinet d'arrivée d'eau dans un endroit permettant de le fermer sans déplacer le réfrigérateur en cas d'intervention sur le réfrigérateur ou la canalisation d'eau.
- ◇ Pour le modèle IF36, se reporter au document 100504 pour consulter des instructions sur la préparation et l'installation des panneaux de façade intégrés. Il est disponible sur le site [www.Dacor.com](http://www.Dacor.com).



POSITION DU ROBINET D'ARRIVÉE D'EAU -  
DIMENSIONS APPROXIMATIVES

## CONDITIONS REQUISES POUR L'ALIMENTATION EN EAU

- ◇ Toutes les installations doivent respecter les prescriptions des codes de plomberie locaux.
- ◇ Utiliser un tube de cuivre de 1/4" (6 mm) pour raccorder le réfrigérateur à l'alimentation en eau courante froide du domicile.
- ◇ Installer un robinet d'arrêt entre le réfrigérateur et l'arrivée d'eau. Le robinet d'arrêt doit être un robinet à étrier avec perçage. Se reporter au diagramme ci-dessus pour l'emplacement conseillé.
- ◇ Ne pas utiliser de robinet à étrier de type à injection ou de 3/16" (4,76 mm), susceptible de réduire le débit d'eau et de s'obstruer plus facilement.
- ◇ Laisser une boucle de service d'un diamètre minimal de 24" (610 mm) en tube de cuivre à l'extérieur du mur ou du sol pour faciliter le raccordement à l'arrivée d'eau.

## Arrivée d'eau froide

Raccorder la machine à glaçons à la canalisation d'eau froide, à une pression comprise entre 35 et 120 lb/po<sup>2</sup>. Pour toute question relative à la pression d'eau à votre domicile, appeler votre compagnie d'eau.

## Alimentation en eau par osmose inverse

**IMPORTANT:** La pression de l'alimentation en eau entre le système d'osmose inverse et la valve d'arrivée d'eau du réfrigérateur doit être comprise entre 35 et 120 lb/po<sup>2</sup> (241 et 827 kPa).

Si un système de purification de l'eau par osmose inverse est raccordé à votre alimentation en eau froide, la pression de l'eau au système doit être au minimum de 40 à 60 lb/po<sup>2</sup> (276 à 414 kPa).

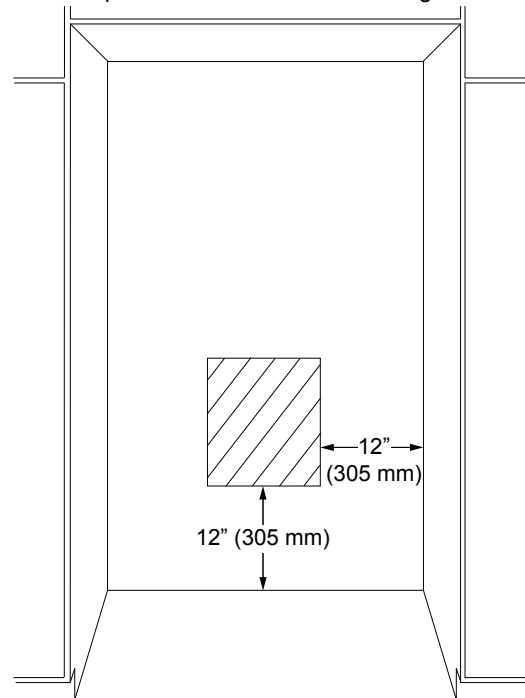
Si la pression de l'eau au système d'osmose inverse est inférieure à 40-60 lb/po<sup>2</sup> (276 à 414 kPa)

- Vérifier que le filtre à sédiment du système d'osmose inverse n'est pas bloqué. Le remplacer si nécessaire.
- Laisser le réservoir du système d'osmose inverse se remplir après une utilisation intense.
- Si votre réfrigérateur est doté d'un filtre à eau, celui-ci peut réduire encore plus la pression de l'eau lorsqu'il est utilisé avec un système d'osmose inverse. Retirer le filtre à eau. Voir "Système de filtration de l'eau".

Si vous avez des questions au sujet de la pression de votre eau, appelez un plombier qualifié agréé.

## SPÉCIFICATIONS ÉLECTRIQUES

Une source d'alimentation de 115 V, 60 Hz, type 15 ou 20 A CA seulement, protégée par des fusibles et adéquatement mise à la terre est nécessaire. Il est recommandé d'utiliser un circuit distinct pour alimenter uniquement le réfrigérateur. Utiliser une prise murale qui ne peut pas être mise hors circuit à l'aide d'un commutateur. Ne pas utiliser de câble de rallonge.



POSITION DU RACCORDEMENT ÉLECTRIQUE -  
DIMENSIONS APPROXIMATIVES

# INSTRUCTIONS D'INSTALLATION

## ENLÈVEMENT DE LA PORTE (OU DES PORTES) ET DE LA FAÇADE DU TIROIR

Certaines installations imposent de démonter la porte (ou les portes) et la façade du tiroir avant de transporter le réfrigérateur à travers les encadrements de porte jusqu'à son emplacement d'utilisation.

### **⚠ AVERTISSEMENT**



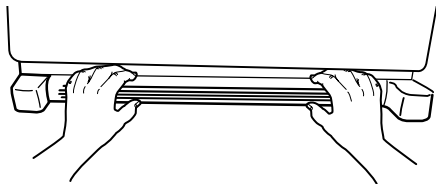
#### **Risque de choc électrique**

**Débrancher le pouvoir avant d'enlever des portes.**

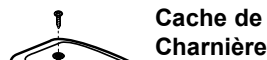
**Le non-respect de ces instructions peut causer un décès, un incendie ou un choc électrique.**

### **POUR DÉMONTER LA PORTE:**

1. Débrancher le cordon d'alimentation de la prise secteur.
2. Démonter la grille de base.

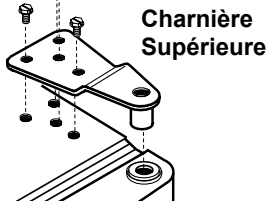


3. Démonter le cache de charnière supérieure de la porte du réfrigérateur en dévissant la vis Phillips. Conserver la vis et le cache pour le remontage.



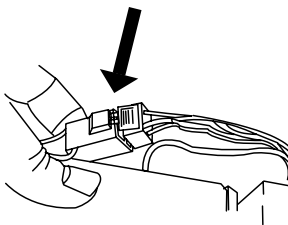
**Cache de Charnière**

4. Dévisser les vis à tête hexagonale de 5/16" de la charnière supérieure. Enlever la charnière et la conserver, accompagnée de toutes ses vis, pour le remontage.



**Charnière Supérieure**

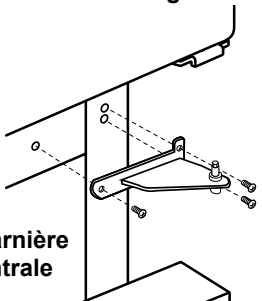
5. Sur les modèles à 3 portes (double battant), débrancher la fiche de câblage située en haut de la charnière supérieure gauche en insérant un tournevis à lame plate entre les deux pièces.



**Fiche de Câblage**

6. Extraire la ou les portes de réfrigérateur du pivot de la charnière centrale.

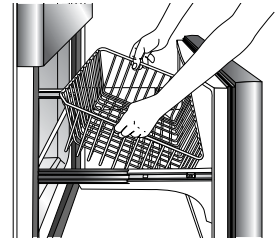
7. Dévisser les vis Phillips qui maintiennent la charnière centrale. Enlever la charnière et la conserver, accompagnée de toutes ses vis, pour le remontage.



**Charnière Centrale**

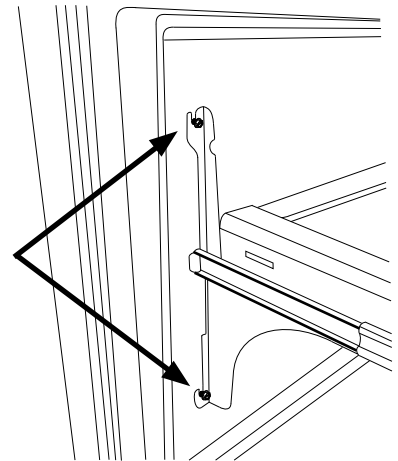
### **POUR DÉMONTER LA FAÇADE DU TIROIR:**

1. Ouvrir complètement le tiroir de congélation.
2. Incliner le panier inférieur vers l'avant et le soulever pour le retirer.



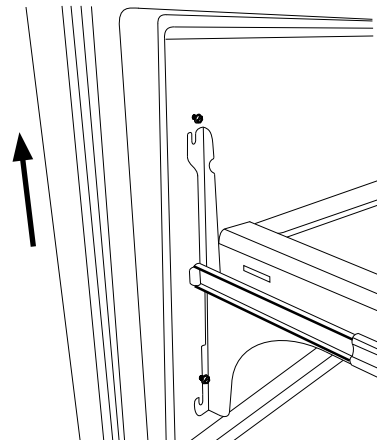
3. Desserrer les quatre (4) vis qui maintiennent les supports du tiroir à la façade du tiroir, comme illustré cidessous.

**REMARQUE:** Desserrer les vis de trois ou quatre tours seulement. Ne pas les dévisser complètement de la façade du tiroir.



**Desserrer les vis des deux côtés de la façade du tiroir.**

4. Lever la façade du tiroir pour l'extraire des vis.



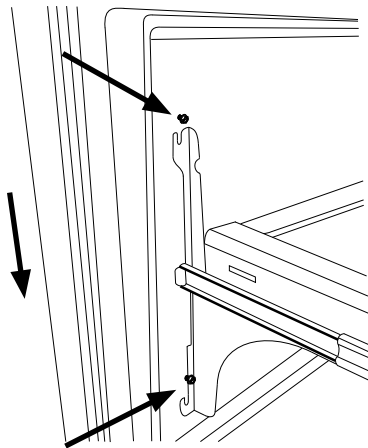


# INSTRUCTIONS D'INSTALLATION

## REMONTAGE DE LA FAÇADE DU TIROIR

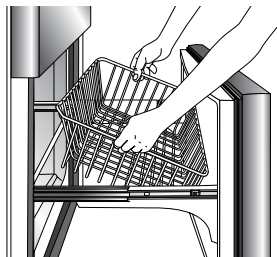
Après avoir déplacé le réfrigérateur jusqu'à son emplacement d'utilisation, remonter la ou les portes et la façade du tiroir de congélation.

1. Glisser les vis à l'arrière de la façade du tiroir dans les fentes des deux côtés des supports de tiroir. Il peut s'avérer nécessaire de déplacer légèrement le bas du support pour aligner la fente avec la vis.



2. Serrer complètement les quatre vis de la façade. Ne pas serrer trop fort.

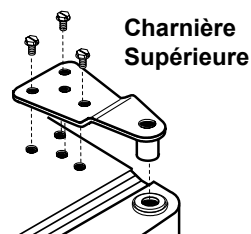
3. Replacer le panier de congélation sur les glissières du tiroir.



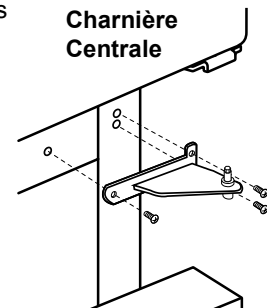
## REMONTAGE DE LA PORTE (OU DES PORTES)

Monter les assemblages de charnière:

1. Visser sans serrer la charnière supérieure à l'aide des vis à tête hexagonale de 5/16" précédemment dévissées.
2. Visser la charnière centrale à l'aide des vis Phillips précédemment dévissées

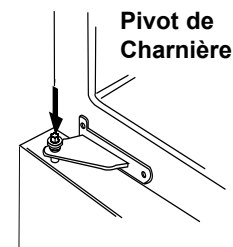


Charnière Supérieure



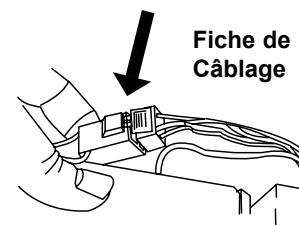
Charnière Centrale

3. Placer la porte du réfrigérateur, du côté portant la charnière, sur le pivot de la charnière centrale.
4. Tout en maintenant la porte du réfrigérateur à la verticale, fixer la charnière supérieure à l'aide d'un tournevis à douille hexagonale de 5/16".



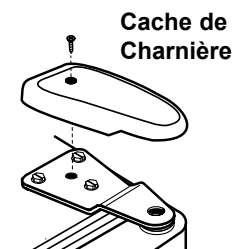
Pivot de Charnière

5. Sur les modèles à 3 portes (double battant), rebrancher la fiche de câblage située en haut de la charnière supérieure gauche.



Fiche de Câblage

6. Replacer le cache de charnière à l'aide de la vis Phillips précédemment dévissée.



Cache de Charnière

# INSTRUCTIONS D'INSTALLATION

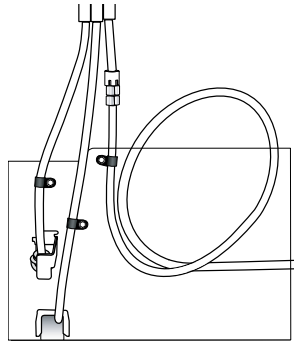
## RACCORDEMENT DE L'ARRIVÉE D'EAU

### Outillage et Matériaux Nécessaires:

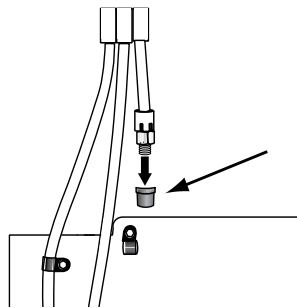
- Tube de cuivre souple de diamètre extérieur 1/4"
- Robinet d'arrêt (nécessite de percer un trou de 1/4" dans la conduite d'arrivée d'eau avant la fixation du robinet)
- Clé à ouverture réglable
- Tournevis à douille hexagonale de 1/4"

1. Débrancher le réfrigérateur de la prise électrique.

2. Créer une boucle de service avec du tube en cuivre (d'un diamètre minimal de 2'). Éviter de plier le tube en cuivre en le courbant en une boucle de service. Ne pas utiliser de tube plastique.

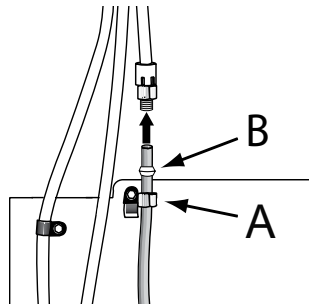


3. Retirer le capuchon en plastique de l'orifice d'entrée du robinet d'eau.

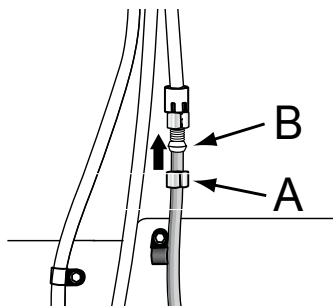


4. Placer l'écrou (A) et l'olive (B) en laiton à l'extrémité du tube en cuivre comme illustré.

**Rappel:** Ne pas se servir d'une olive déjà utilisée. L'écrou et l'olive se trouvent dans le sachet d'utilisation et d'entretien.

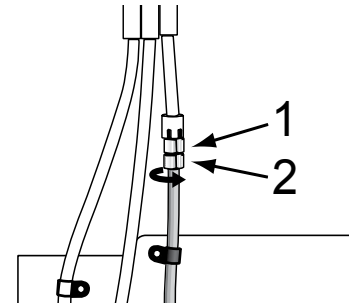


5. Placer l'extrémité du tube en cuivre dans l'orifice d'entrée du robinet d'eau. Adapter légèrement le tube. Ne pas plier le tube, de façon à joindre directement l'orifice d'entrée.



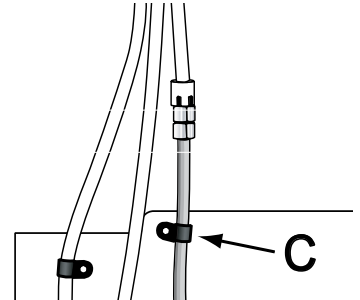
6. Glisser l'écrou en laiton par-dessus l'olive et le visser sur l'orifice d'entrée.

7. Placer une clé à ouverture réglable sur l'écrou (1) fixé sur la canalisation d'eau en plastique. Maintenir la clé en place.



8. À l'aide d'une deuxième clé à ouverture réglable, visser l'écrou inférieur (2) dans le sens inverse des aiguilles d'une montre et le serrer complètement, tout en maintenant l'écrou supérieur immobile. Ne pas serrer trop fort.

9. Tirer sur le tube pour vérifier que le raccordement est correct. Fixer le tube au châssis à l'aide de la patte de fixation (C) du tube d'eau.



10. Ouvrir l'arrivée d'eau. Vérifier l'absence de fuite et rectifier le cas échéant. Vérifier régulièrement le raccordement de l'arrivée d'eau pendant deux ou trois heures avant de déplacer le réfrigérateur à son emplacement définitif. Surveiller le raccordement d'eau pendant 24 heures. Réparer les fuites si nécessaire.

## BRANCHEMENT DU RÉFRIGÉRATEUR

### ⚠ AVERTISSEMENT



#### Risque de choc électrique

**Brancher sur une prise à 3 alvéoles reliée à la terre.**

**Ne pas enlever la broche de liaison à la terre.**

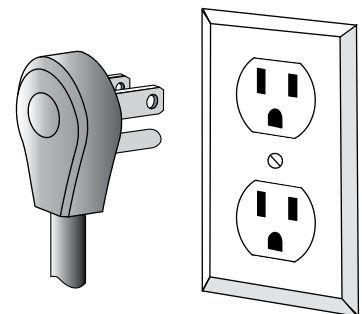
**Ne pas utiliser un adaptateur.**

**Ne pas utiliser un câble de rallonge.**

**Le non-respect de ces instructions peut causer un décès, un incendie ou un choc électrique.**

Brancher le réfrigérateur à une prise avec borne de terre.

**REMARQUE:** Attendre 24 heures avant de produire le premier lot de glaçons. Éliminer les trois premiers lots de glaçons produits. Compter trois jours pour remplir complètement le bac à glaçons.



# INSTRUCTIONS D'INSTALLATION

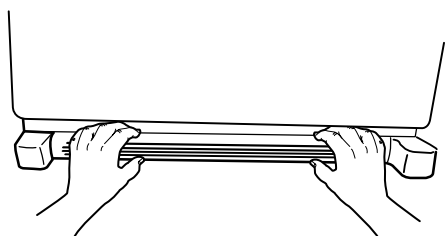
## DÉPLACEMENT DE L'APPAREIL JUSQU'À SON EMPLACEMENT DÉFINITIF

### **Déplacement de Votre Réfrigérateur:**

Votre réfrigérateur est lourd. Lors du déplacement du réfrigérateur pour le nettoyage ou le service, veiller à protéger le plancher. Toujours tirer le réfrigérateur tout droit lors du déplacement. Ne pas incliner le réfrigérateur d'un côté ou de l'autre ni le "faire marcher" en essayant de le déplacer car le plancher pourrait être endommagé.

## MISE À NIVEAU

1. Mise à niveau 1. Démontez la grille de base. Saisissez fermement la grille et la tirez vers soi.

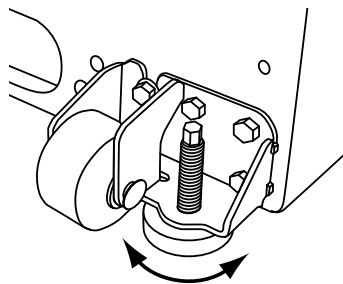


2. À l'aide d'un tournevis à douille hexagonale de 1/4", tourner la vis de mise à niveau de chaque côté pour lever ou abaisser le côté correspondant du réfrigérateur.

### **REMARQUE**

Si quelqu'un pousse contre le haut du réfrigérateur, les vis de réglage et les roulettes sont soulagées. Cette méthode facilite la rotation des vis.

- Pour lever, tourner la vis de réglage dans le sens des aiguilles d'une montre.
  - Pour abaisser, tourner la vis de réglage dans le sens inverse des aiguilles d'une montre.
3. Ouvrir la porte à nouveau pour vérifier qu'elle se ferme aussi facilement que souhaité. Si tel n'est pas le cas, incliner le réfrigérateur un peu plus vers l'arrière en tournant les deux vis de réglage dans le sens des aiguilles d'une montre. Plusieurs tours peuvent s'avérer nécessaires, les deux vis de réglage devant être tournées autant l'une que l'autre.
  4. Replacer la grille de base.



## MONTAGE DES POIGNÉES

- Certains modèles sont livrés avec les poignées non montées pour laisser le client en choisir le style. Des jeux de poignées en option sont également disponibles pour les autres modèles dont les poignées sont déjà montées. Se reporter au manuel d'utilisation et d'entretien pour consulter la liste des jeux de poignées disponibles.
- Les instructions d'installation des poignées sont incluses avec le jeu de poignées.

## MISE AU REBUT CORRECTE D'UN RÉFRIGÉRATEUR USAGÉ

### **⚠ AVERTISSEMENT**

**Risque de suffoquer**

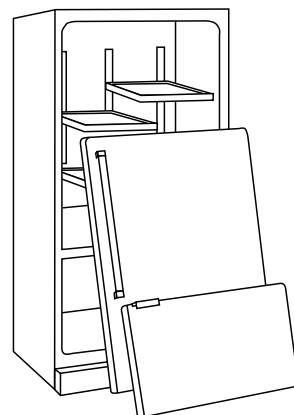
**Enlever les portes de votre vieux réfrigérateur.**

**Le non-respect de cette instruction peut causer un décès ou des lésions cérébrales.**

**IMPORTANT:** Les décès d'enfants piégés par asphyxie sont toujours d'actualité. Les réfrigérateurs entreposés à ciel ouvert ou abandonnés restent dangereux, même s'ils ne sont là « que pour quelques jours ». Pour se débarrasser d'un réfrigérateur usagé, suivre les instructions ci-dessous pour réduire le risque d'accident.

### **Avant de Jeter un Réfrigérateur ou un Congélateur Usagé:**

- Démontez les portes.
- Laissez les étagères en place pour que les enfants ne puissent pas monter facilement à l'intérieur.



# INSTRUCTIONS D'INSTALLATION

## VÉRIFICATION DE L'INSTALLATION

L'importance d'une installation correcte du réfrigérateur Dacor ne doit pas être négligée. Une installation correcte relève de la responsabilité du propriétaire.

**IMPORTANT:** Pour vérifier que l'installation est sûre et correcte, les vérifications suivantes doivent être effectuées par l'installateur pour s'assurer qu'aucune étape de l'installation n'a été ignorée.

Toute question ou problème relatif à l'installation doit être adressé à votre revendeur Dacor ou au service clientèle de Dacor au numéro (800) 793-0093 ou par courriel à l'adresse e-mail [customerservice@dacor.com](mailto:customerservice@dacor.com). Vous pouvez également visiter notre site web à l'adresse [www.Dacor.com](http://www.Dacor.com).

- Les pieds de mise à niveau sont-ils tous en contact avec le sol? L'appareil est-il droit?
- Le cordon d'alimentation est-il branché à une prise dédiée avec borne de terre installée conformément à tous les codes d'installation électrique en vigueur?
- L'arrivée d'eau est-elle raccordée? L'absence de fuite a-t-elle été vérifiée?
- La grille de base a-t-elle été correctement remontée?
- Le réfrigérateur usagé a-t-il été mis au rebut correctement et en toute sécurité?
- Des problèmes ont-ils été notés sur la carte de garantie ou pendant l'activation en ligne? La carte de garantie a-t-elle été activée en ligne ou a-t-elle été complétée et envoyée par la poste?

En cas de demande de dépannage, s'assurer de disposer des numéros de modèle et de série avant d'appeler. Ces numéros figurent sur la plaque signalétique située à droite du compartiment des aliments frais.

Contactez un représentant de dépannage agréé Dacor, un revendeur Dacor ou le service à la clientèle de Dacor au numéro (800) 793-0093.

# NOTES

# NOTES



