

REFRIGERATOR MODELS: EF36BNFSS & PF36BNDFXX*

*Where XX indicates color



Preference™ Handle Kit,
PN AFP36H3

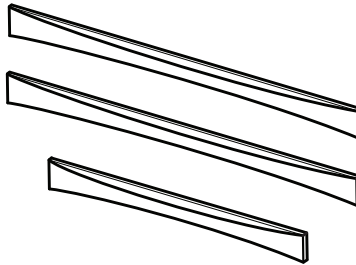
INSTALLATION
INSTRUCTIONS

Tools Required

- 3/32" Allen wrench (not supplied)
- T20 Torx driver (EF36BNFSS Only)

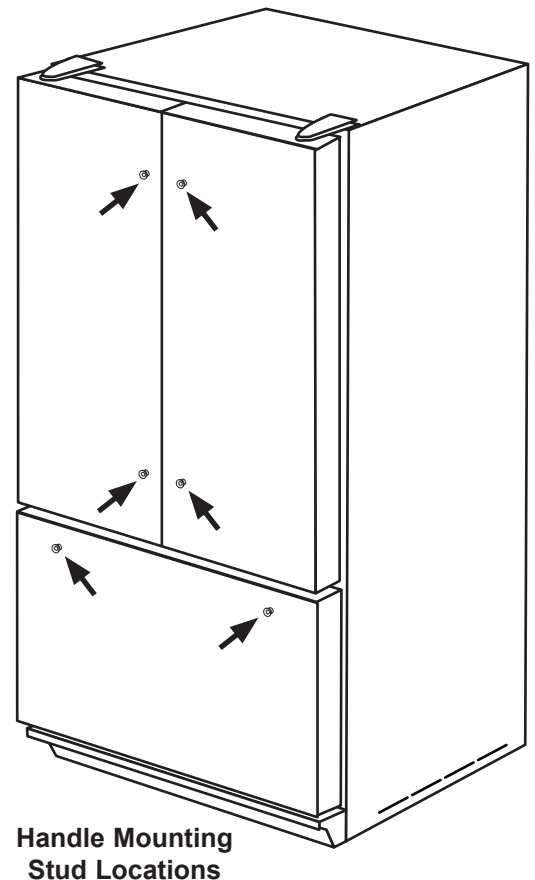
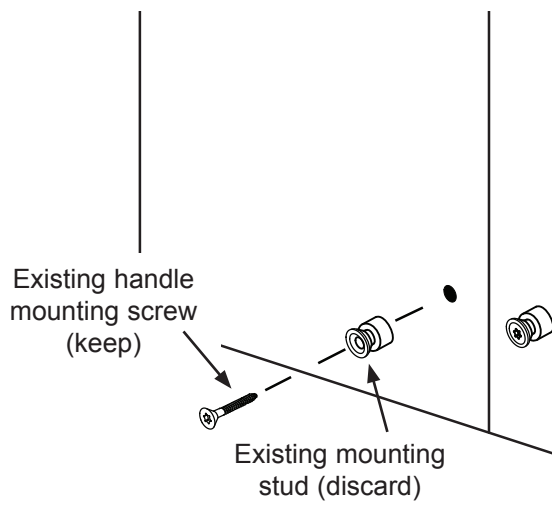
Parts Included

Preference Style Handles (2 Large, 1 Small)



Installation Preparation (Model EF36BNFXX Only. For Model PF36BNDFXX, skip to Step 3):

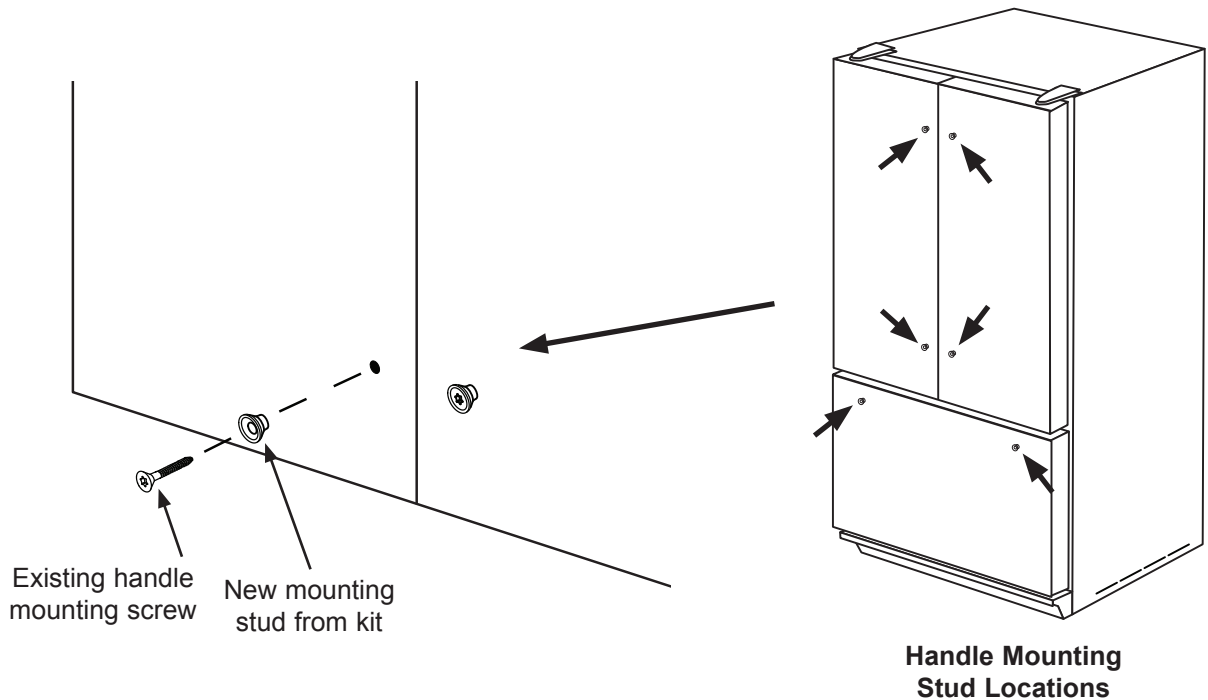
STEP 1: Using a T20 Torx driver, remove the six (6) handle mounting studs from the front of the refrigerator. Retain the Torx mounting screws. Discard the studs.



Refrigerator Handle Kit Installation Instructions

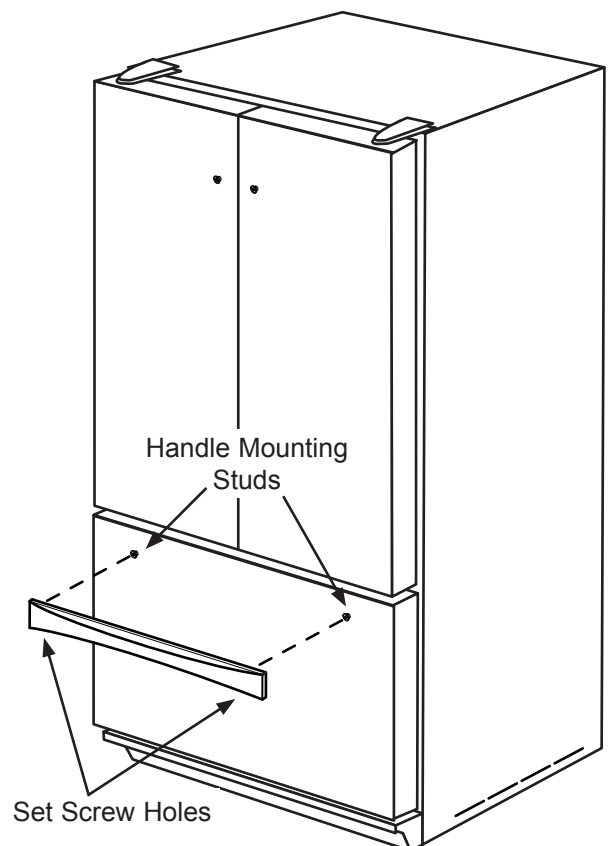
STEP 2 (Model EF36BNFSS only):

Using the T20 Torx driver and the screws removed in step 1, install the six (6) short mounting studs from the kit in the locations shown.



Bottom (Freezer) Handle Installation

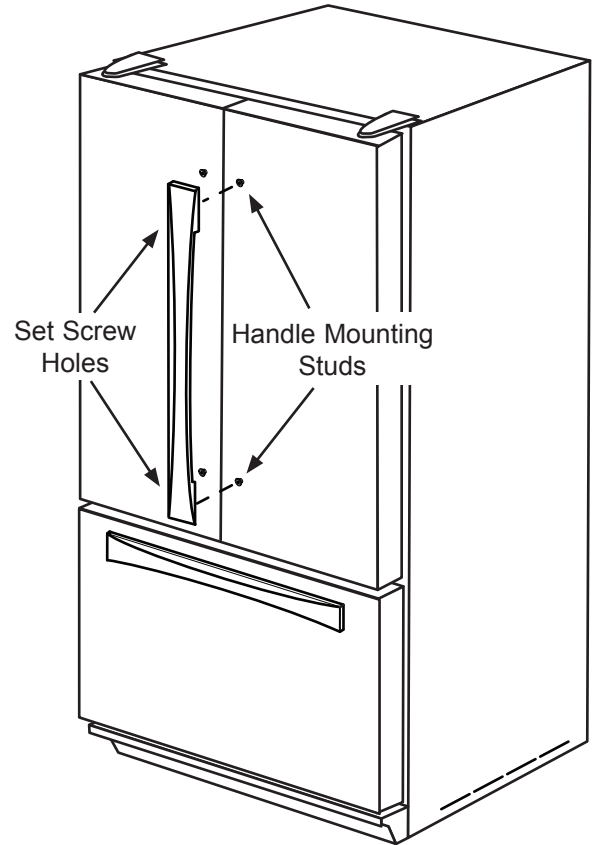
- STEP 3:** Find the smallest of the three handles in the kit box.
- STEP 4:** Mount the handle to the bottom drawer by sliding the holes on the back over the handle mounting studs on the refrigerator. Make sure the set screw holes on the handle are facing toward the bottom. You may need to loosen the set screws using a 3/32" Allen wrench to allow the handle to slide into place.
- STEP 5:** Carefully tighten the set screws into place using the 3/32" Allen wrench. Be careful not to scratch the finish.
- STEP 6:** Check to make sure the handle is firmly attached.



Refrigerator Handle Kit Installation Instructions

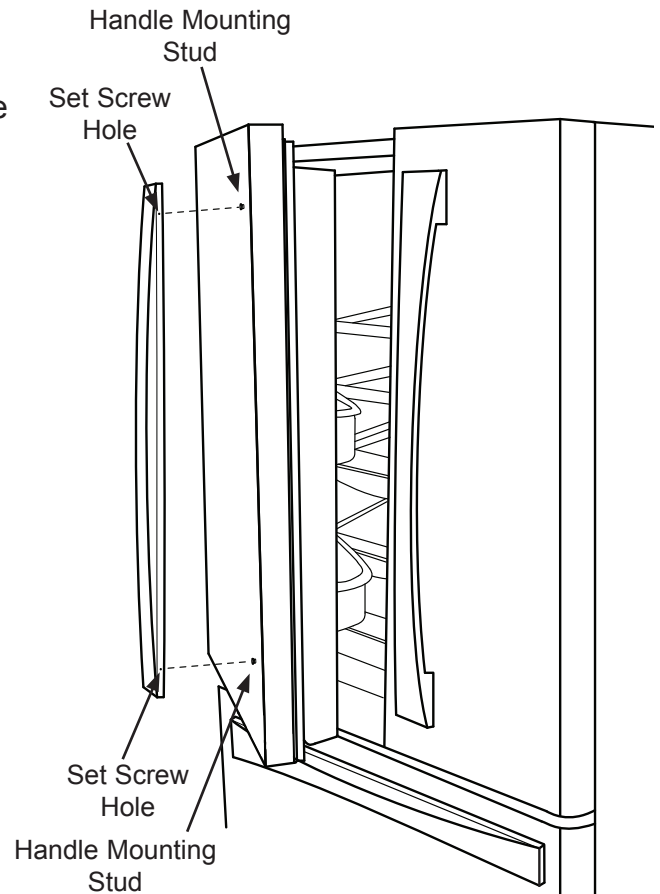
Top Right Handle Installation

- STEP 7:** Mount the handle to the right door by sliding the holes on the back over the handle mounting studs on the right door. Make sure the set screw holes face toward the center of the refrigerator. Loosen the set screws if necessary to allow the handle to slide into place.
- STEP 8:** Carefully tighten the set screws into place using the 3/32" Allen wrench. Be careful not to scratch the finish.
- STEP 9:** Check to make sure the handle is firmly attached.



Top Left Handle Installation

- STEP 10:** Mount the remaining handle to the left door with set screw holes toward the center of the refrigerator. Loosen the set screws if necessary to allow the handle to slide into place.
- STEP 11:** Open the left door while holding the handle in place to prevent damage to the other handle during step 12.
- STEP 12:** Carefully tighten the set screws into place using the 3/32" Allen wrench. Be careful not to scratch the finish.
- STEP 13:** Check to make sure the handle is firmly attached.



dacor

The Life of the Kitchen.®