



Installation Instructions

36 Inch Refrigerator

For Use With Models: EF36BNNF, IF36BNNF, PF36BNNF

GOEDEKER'S
Trusted since 1951

Francis - Voir Page 9

TABLE OF CONTENTS

Refrigerator Safety	1	Installation Instructions	4-8
Proper Disposal of Your Refrigerator	1	Unpack the Refrigerator	4
Design Specifications	2	Move Refrigerator into House	4
Product Dimensions.....	2	Door and Drawer Front Removal.....	4
Installation Specifications	2-3	Reinstalling the Drawer Front.....	5
Tools and Parts	2	Reinstalling the Door(s)	5
Location Requirements.....	3	Connecting the Water Supply	6
Cabinet Layout.....	3	Plug in Refrigerator.....	7
Water Supply Requirements.....	3	Move Unit to Final Position.....	7
Electrical Requirements.....	3	Leveling.....	7
		Handle Installation	7
		Complete Installation	8
		Water System Preparation.....	8

IMPORTANT:

- **Installer:** Leave these installation instructions with the homeowner.
- **Homeowner:** Keep these installation instructions for future reference. Save these installation instructions for the local electrical inspector's use.

CUSTOMER SERVICE INFORMATION

If you have questions or problems with installation, contact your Dacor® dealer or the Dacor Customer Service Team. When you call, have the model and serial number of the appliance ready. The model and serial number are printed on the appliance data label. The label is located inside the refrigerator on the right.

Dacor Customer Service:

Phone: (800) 793-0093 (U.S.A. and Canada)
Monday — Friday 6:00 A.M. to 5:00 P.M. Pacific Time

Web site: www.Dacor.com

**All specifications subject to change without notice
Dacor assumes no liability for changes to specifications**

REFRIGERATOR SAFETY

Your safety and the safety of others are very important.

We have provided many important safety messages in this manual and on your appliance. Always read and obey all safety messages.



This is the safety alert symbol.

This symbol alerts you to potential hazards that can kill or hurt you and others.

All safety messages will follow the safety alert symbol and either the word "DANGER" or "WARNING." These words mean:

⚠ DANGER

You can be killed or seriously injured if you don't immediately follow instructions.

⚠ WARNING

You can be killed or seriously injured if you don't follow instructions.

All safety messages will tell you what the potential hazard is, tell you how to reduce the chance of injury, and tell you what can happen if the instructions are not followed.

IMPORTANT SAFETY INSTRUCTIONS

WARNING: To reduce the risk of fire, electric shock, or injury when using your refrigerator, follow these basic precautions:

- Plug into a grounded 3 prong outlet.
- Do not remove ground prong.
- Do not use an adapter.
- Do not use an extension cord.
- Disconnect power before servicing.
- Replace all parts and panels before operating.
- Remove doors from your old refrigerator.
- Use nonflammable cleaner.
- Keep flammable materials and vapors, such as gasoline, away from refrigerator.
- Use two or more people to move and install refrigerator.
- Disconnect power before installing ice maker (on ice maker kit ready models only).
- Use a sturdy glass when dispensing ice (on some models).

SAVE THESE INSTRUCTIONS

⚠ WARNING



Tip Over Hazard

Refrigerator is top heavy and tips easily when not completely installed.

Keep doors taped closed until refrigerator is completely installed.

Use two or more people to move and install refrigerator.

Failure to do so can result in death or serious injury.

PROPER DISPOSAL OF YOUR REFRIGERATOR

⚠ WARNING

Suffocation Hazard

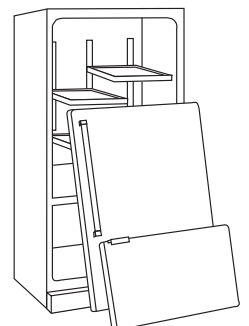
Remove doors from your old refrigerator.

Failure to do so can result in death or brain damage.

IMPORTANT: Child entrapment and suffocation are not problems of the past. Junked or abandoned refrigerators are still dangerous, even if they sit out for "just a few days." If you are getting rid of your old refrigerator, please follow the instructions below to help prevent accidents.

Before you throw away your old refrigerator or freezer:

- Take off the doors.
- Leave the shelves in place so children may not easily climb inside.



DESIGN SPECIFICATIONS

PRODUCT DIMENSIONS

- The depth from the front of the door (w/o door handles) to the back of the refrigerator chassis is 27" (686 mm).
- The depth of the cabinet less the door is 24 1/4" (616 mm).
- The power cord is 60" (1524 mm) long.
- The height from the top of the refrigerator to the floor with the leveling legs in the down position is 70 1/8" (1781 mm).
- The height from the top of the refrigerator to the floor with the leveling legs in the fully extended position is 71 1/4" (1810 mm) at the front of the unit. Add 2 1/2" (635 mm) for the optional top trim kit.
- The refrigerator width from edge to edge is 35 5/8" (905 mm).

INSTALLATION SPECIFICATIONS

TOOLS AND PARTS


Make sure that you have the necessary tools and materials available for a proper installation:

- Phillips screwdriver set
- Slotted screwdriver set
- Copper tubing for the water line. Provide sufficient length to allow for a minimum of a 24" (610 mm) diameter service loop.
- Compression nut and compression sleeve to connect to the water supply valve. A compression nut and sleeve are included with the unit to connect the refrigerator side of the line.
- Copper tubing cutter
- Level - 2' (.6 m) and 4' (1.2 m) recommended
- Appliance dolly able to support 700 lbs (317 kg) and adequate manpower to handle the weight of the appliance
- Nut driver set or socket set
- Crescent wrench
- Cordless drill and assorted drill bits
- Plywood or cardboard to protect finished flooring
- Appropriate materials to cover and protect the home and its furnishings during installation

LOCATION REQUIREMENTS

Your Dacor refrigerator can be recessed in an opening between cabinets or installed at the end of a cabinet run using a side panel to enclose the refrigerator.

⚠ WARNING



Explosion Hazard

Keep flammable materials and vapors, such as gasoline, away from refrigerator.

Failure to do so can result in death, explosion, or fire.

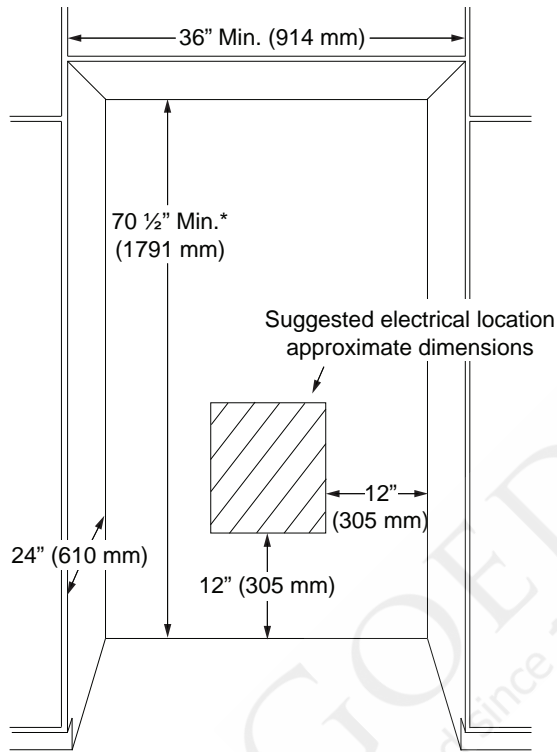
IMPORTANT:

- Observe all governing codes and ordinances.
- To ensure proper ventilation for your refrigerator, allow for a 1/2" (1.25 mm) space at the top and behind the refrigerator.
- Do not install the refrigerator in a location where the temperature will fall below 55°F (13°C).
- Allow a minimum of 2 1/2" (64 mm) space between the side of the refrigerator and an oven or range.
- The floor must be able to support the refrigerator's weight of more than 600 lbs (272 kg), the door panels and the contents of the refrigerator.
- The area to the left and the right of the appliance must permit both doors to open to a minimum of 90°. Allow space between the side of the refrigerator doors and a corner wall for the handle and/or custom door panels.

INSTALLATION SPECIFICATIONS

CABINET LAYOUT

- A grounded three prong non-GFCI electrical outlet must be provided and should be in a location that allows the refrigerator to be connected without an extension cord. See *Electrical Requirements* for additional information.
- The plumbing for the water line can come through the floor flush to or from the back wall. Install the water valve in a location that allows it to be turned off without moving the refrigerator out in the event the refrigerator or water line requires service.
- For IF36 series models, see document 100504 for instructions on planning and installing integrated front panels. It is available at www.Dacor.com.



*Add 2 1/2" (635 mm) for the optional top trim kit.

WATER SUPPLY REQUIREMENTS

- All installations must meet local plumbing code requirements.
- A cold water supply with water pressure of between 35 and 120 psi (241 and 827 kPa) is required to operate the water dispenser and ice maker. If you have questions about your water pressure, call a licensed, qualified plumber.
- Install a shut off valve between the refrigerator and water supply. Use 1/4" copper tubing with a compression nut and compression sleeve and check for leaks. Allow a minimum of 24" (610 mm) diameter service loop of copper tubing outside the wall or floor for easy connection to the water supply. Install copper tubing only in areas where the household temperatures will remain above freezing.
- Do not use a piecing type or 3/16" (4.76 mm) saddle valve which will reduce water flow and clog more easily.

If you have questions about your water pressure, call a licensed, qualified plumber.

Reverse osmosis water supply

IMPORTANT: The pressure of the water supply coming out of a reverse osmosis system going to the water inlet valve of the refrigerator needs to be between 35 and 120 psi (241 and 827 kPa).

If a reverse osmosis water filtration system is connected to your cold water supply, the water pressure to the reverse osmosis system needs to be a minimum of 40 to 60 psi (276 to 414 kPa).

If the water pressure to the reverse osmosis system is less than 40 to 60 psi (276 to 414 kPa):

- Check to see whether the sediment filter in the reverse osmosis system is blocked. Replace the filter if necessary.
- Allow the storage tank on the reverse osmosis system to refill after heavy usage.
- If your refrigerator has a water filter, it may further reduce the water pressure when used in conjunction with a reverse osmosis system. Remove the water filter. See the use and care manual.

ELECTRICAL REQUIREMENTS

⚠ WARNING



Electrical Shock Hazard

Plug into a grounded 3 prong outlet.

Do not remove ground prong.

Do not use an adapter.

Do not use an extension cord.

Failure to follow these instructions can result in death, fire, or electrical shock.

A 115 Volt, 60 Hz. AC only 15 or 20 amp fused, grounded electrical supply is required. It is recommended that a separate circuit serving only your refrigerator be provided. Use an outlet that cannot be turned off by a switch. Do not use an extension cord.

INSTALLATION INSTRUCTIONS

IMPORTANT:

- If you receive a damaged product, immediately contact your dealer or builder. Do not install or use a damaged appliance.
- Read all directions before you begin.

UNPACK THE REFRIGERATOR

! WARNING



Tip Over Hazard

Refrigerator is top heavy and tips easily when not completely installed.

Keep doors taped closed until refrigerator is completely installed.

Use two or more people to move and install refrigerator.

Failure to do so can result in death or serious injury.

IMPORTANT:

- Do not remove the film on the outside until the refrigerator is in its operating position.
- Remove tape and glue residue from surfaces before turning on the refrigerator. Rub a small amount of liquid dish soap over the adhesive with your fingers. Wipe with warm water and dry.
- Do not use sharp instruments, rubbing alcohol, flammable fluids or abrasive cleaners to remove tape or glue. These products can damage the surface of your refrigerator. For more information, see *Important Safety Instructions*.
- Dispose of/recycle all packaging materials.
- After you remove all of the packaging materials, clean the inside of your refrigerator before using it. See *Care and Cleaning* in the use and care manual.

MOVE REFRIGERATOR INTO HOUSE

! WARNING



Tip Over Hazard

Refrigerator is top heavy and tips easily when not completely installed.

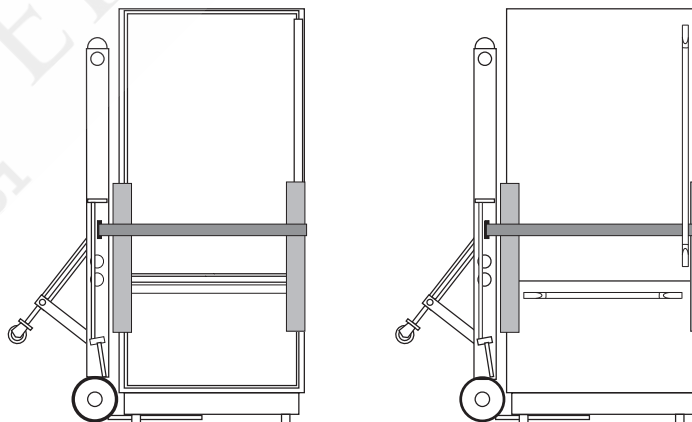
Keep doors taped closed until refrigerator is completely installed.

Use two or more people to move and install refrigerator.

Failure to do so can result in death or serious injury.

1. Place an appliance dolly under the left side of the refrigerator as shown. Be sure to avoid damaging the side trims and handles. Place the corner posts from the packing materials over the trims and handles as appropriate. Slowly tighten the strap.

NOTE: Pass the dolly strap under the handle for EF36 series models.

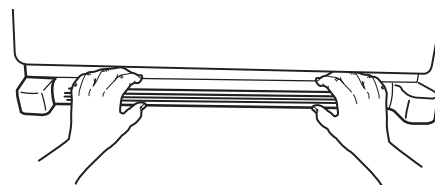


2. Place pieces of the shipping carton on the floor when rolling the dolly and refrigerator into the house. Move the refrigerator close to the opening.
3. Place cardboard or plywood under refrigerator.
4. Stand the refrigerator up. First, place the left bottom edge of the refrigerator on the floor, stand the refrigerator upright and then lower the right-hand side of the refrigerator to the floor.

DOOR AND DRAWER FRONT REMOVAL

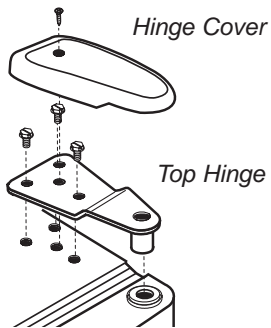
Some installations require door and drawer front removal before transporting the refrigerator through doorways to the location where it will be used.

1. Unplug the power cord from the power source.
2. Remove the toe grille.



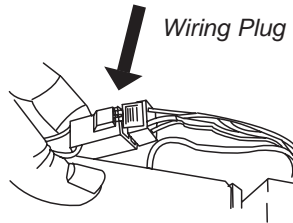
INSTALLATION INSTRUCTIONS

- Remove the top hinge cover from the refrigerator door by removing the Phillips screw. Retain the screw and cover for later use. Hinge style may vary.



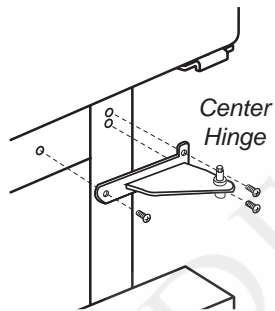
- Unscrew the 5/16" hex head screws from the top hinge. Remove the hinge and retain it and all screws for later use.

- On 3 door (french door) models, disconnect the wiring plug located on top of the left top hinge by wedging a flat-blade screwdriver between the two sections.



- Lift the refrigerator door(s) from the center hinge pin.

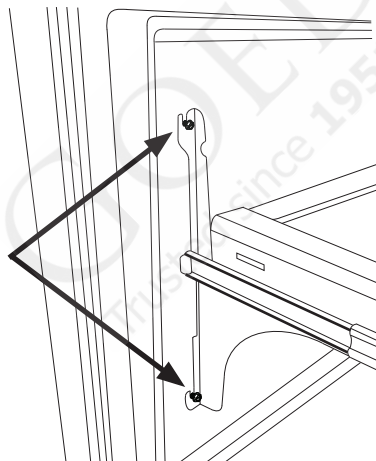
- Remove the Phillips screws that hold the center hinge in place. Remove the hinge and retain it and all screws for later use.



- Pull the freezer drawer completely open.

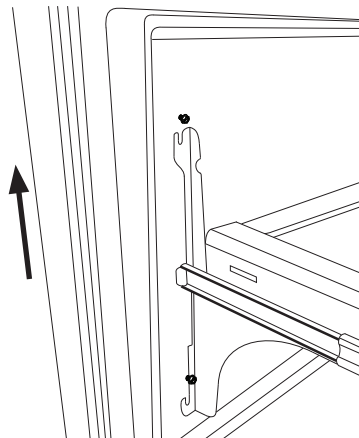
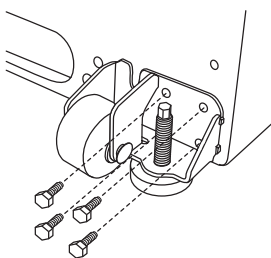
- Loosen the four (4) screws attaching the drawer brackets to the drawer front as shown.

NOTE: Loosen the screws only three to four turns. Do not remove the screws from the drawer front.



- Lift the drawer front upward and off the screws.

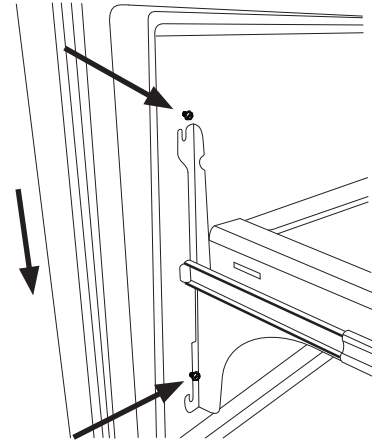
- Remove the rollers.



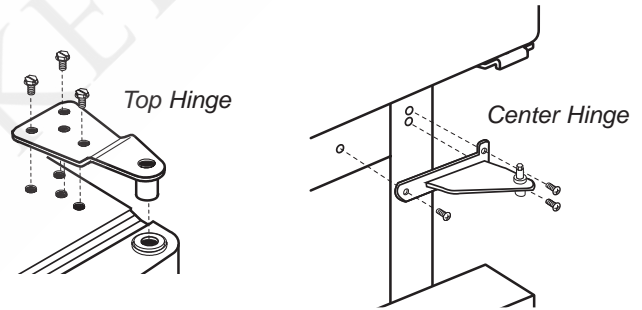
REINSTALLING THE DOOR(S)

After the moving the refrigerator to the location where it will be used, reinstall the door(s) and freezer drawer front.

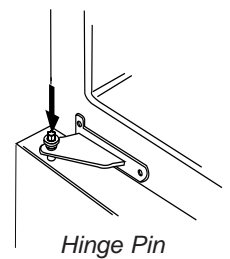
- Replace the rollers.
- Slide the screws on the back of the drawer front into the slots in the drawer brackets on both sides. You may need to move the bottom of the bracket around slightly to get the slot to line up with the screw.
- Tighten the four front panel screws completely. Do not over-tighten.



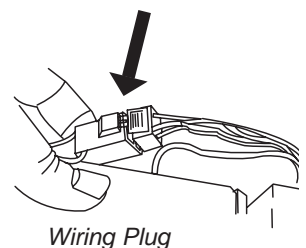
- Install the top hinge loosely using the existing 5/16" hex head screws.
- Install the center hinge using the existing Phillips screws.



- Place the hinge side of the refrigerator door on the center hinge pin.
- While holding the refrigerator door upright, tighten down the top hinge with a 5/16" hex head driver.



- On 3 door (french door) models, reconnect the wiring plug located on top of the left top hinge.



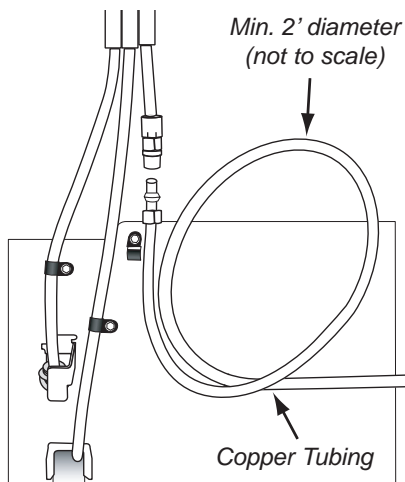
- Replace the top hinge cover using the existing Phillips screw.



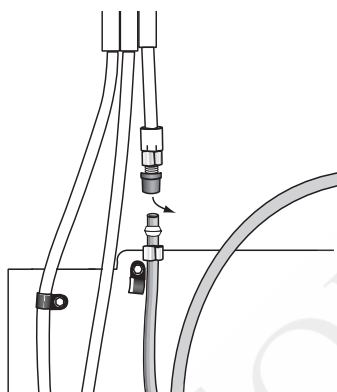
INSTALLATION INSTRUCTIONS

CONNECTING THE WATER SUPPLY

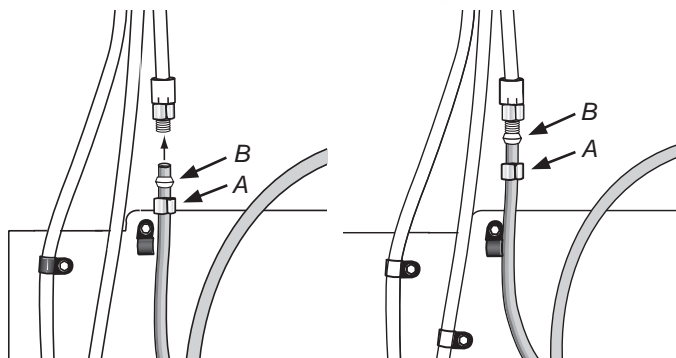
1. Unplug the refrigerator from the electrical outlet.
2. Create a service loop with copper tubing (minimum 2 foot/61 cm diameter). Avoid kinks in the copper tubing when bending it into a service loop. Do not use plastic tubing.



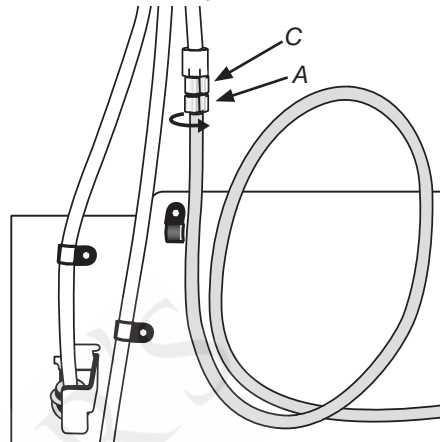
3. Remove the plastic cap from water valve inlet port.



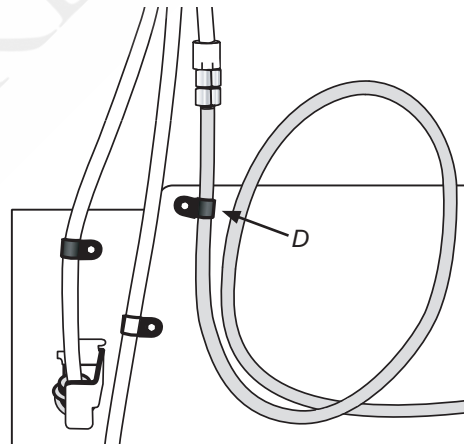
4. Place the brass nut (A) and sleeve (B) on the end of the copper tube as illustrated. The nut and sleeve are provided in the use and care packet. Do not use an old sleeve.
5. Place the end of the copper tubing into the water valve inlet port. Shape the tubing slightly. Do not kink the tubing so that it feeds straight into the inlet port.



6. Slide the brass nut over the sleeve and screw it into the inlet port.
7. Place an adjustable wrench on the nut (C) attached it to the plastic waterline. Maintain position.
8. Using a second adjustable wrench, turn the lower nut (A) counterclockwise and fully tighten it while holding the upper nut in place. Do not overtighten.



9. Pull on the tubing to confirm the connection is secure. Connect the tubing to the frame with the water tubing clamp (D).



10. Turn on the water supply. Check for leaks and correct if necessary. Continue to observe the water supply connection for two to three hours prior to moving the refrigerator to its permanent location. Monitor the water connection for 24 hours. Correct leaks if necessary.

INSTALLATION INSTRUCTIONS

PLUG IN REFRIGERATOR

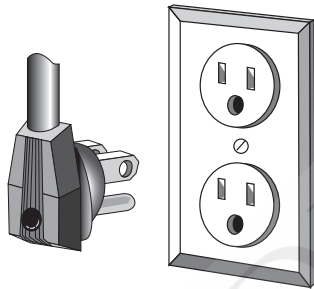
⚠️ WARNING



Electrical Shock Hazard

- Plug into a grounded 3 prong outlet.
- Do not remove ground prong.
- Do not use an adapter.
- Do not use an extension cord.
- Failure to follow these instructions can result in death, fire, or electrical shock.

Plug the refrigerator into a grounded three prong outlet.



MOVE UNIT TO FINAL POSITION

⚠️ WARNING



Tip Over Hazard

- Refrigerator is top heavy and tips easily when not completely installed.
- Keep doors taped closed until refrigerator is completely installed.
- Use two or more people to move and install refrigerator.
- Failure to do so can result in death or serious injury.

IMPORTANT: To avoid floor damage, make sure the levelers are raised (not touching floor) and the refrigerator is on the rollers before moving.

- Place cardboard or plywood under refrigerator. Remove dolly.
- Move the refrigerator straight back, evenly into the opening. Be sure that the refrigerator side trims are not interfering with the door opening. Also, be sure that the water tubing is not kinked and the power supply cord is on top of the refrigerator.

LEVELING

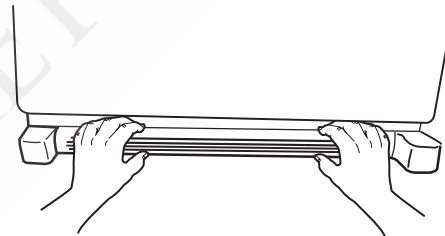
⚠️ WARNING



Tip Over Hazard

- Refrigerator is top heavy and tips easily when not completely installed.
- Keep doors taped closed until refrigerator is completely installed.
- Use two or more people to move and install refrigerator.
- Failure to do so can result in death or serious injury.

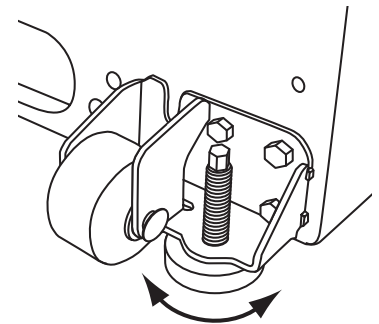
- Remove the base grille. Grasp the grille firmly and pull it toward you.



- Using a 1/4" hex driver, turn the leveling screw on each side to raise or lower that side of the refrigerator.

NOTE: Having someone push against the top of the refrigerator takes some weight off the leveling screws. Doing so makes it easier to turn the screws.

- To raise, turn the leveling screw clockwise.
- To lower, turn the leveling screw counter-clockwise.



- Open the door again to make sure that it closes as easily as you like. If not, tilt the refrigerator slightly more to the rear by turning both adjustments screws clockwise. It may take several more turns, and you should turn both adjustment screws the same amount.
- Replace the base grill.

HANDLE INSTALLATION

- Some units do not come with the handle installed to allow the customer to choose the handle style. Optional handle kits are also available. See the use and care manual for a list of available handle kits.
- The installation instructions for the handle are included with the kit.

INSTALLATION INSTRUCTIONS

COMPLETE INSTALLATION

1. Turn the water supply line valve to the open position.
2. Wait a few minutes. Check the water line connections for leaks.
3. Remove all boxes, parts packages and packing materials from the interior of the refrigerator.
4. See the *Care and Cleaning* section in the use and care manual for instructions. Remove the film and cardboard from the grille and doors or door frame, depending on your model.
5. Install the shelves and bins in the refrigerator and freezer compartments.
6. The controls are preset at the factory to the midpoint setting. Check that the compressor is operating properly and that all the lights are working.
7. Flush the water system before use. See *Water System Preparation*.

To get the most efficient use from your new refrigerator, read your use and care manual. Keep these installation instructions and the use and care manual near the refrigerator for easy reference.

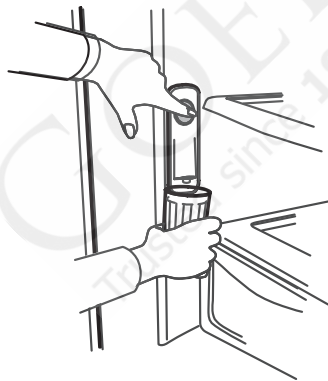
WATER SYSTEM PREPARATION

Please read before using the water system.

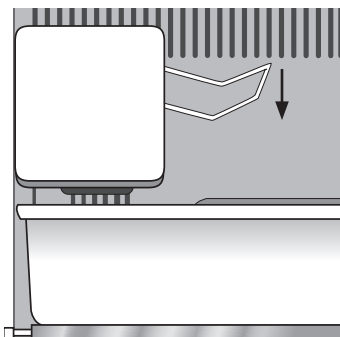
Immediately after installation, follow the steps below to make sure that the water system is properly cleaned.

Do not use with water that is microbiologically unsafe or of unknown quality without adequate disinfection before or after the system. Systems certified for cyst reduction may be used on disinfected waters that may contain filterable cysts.

1. Hold a sturdy container under the water spout and press the dispenser button. Flush the water system by dispensing and discarding 6 qt. (5.7 L) of water. Cleaning the system will take approximately 3 to 4 minutes and will help clear air from the line. Additional flushing may be required in some households. As air is cleared from the system, water may spurt out of the dispenser.



2. Make sure the ice bin is in place and the ice maker arm is down.
3. After the freezer section reaches between 0° to 2°F (-18° to -17° C), the ice maker fills with water and begins operating. You will have a complete harvest of ice approximately every three hours.



4. Allow approximately 24 hours after installation to receive the first harvest of ice.
5. Discard ice created within the first 12 hours of operation to assure the system is flushed of impurities.

GOEDEKER'S
Trusted since 1951

dacor
The Life of the Kitchen.®