

Credaplan

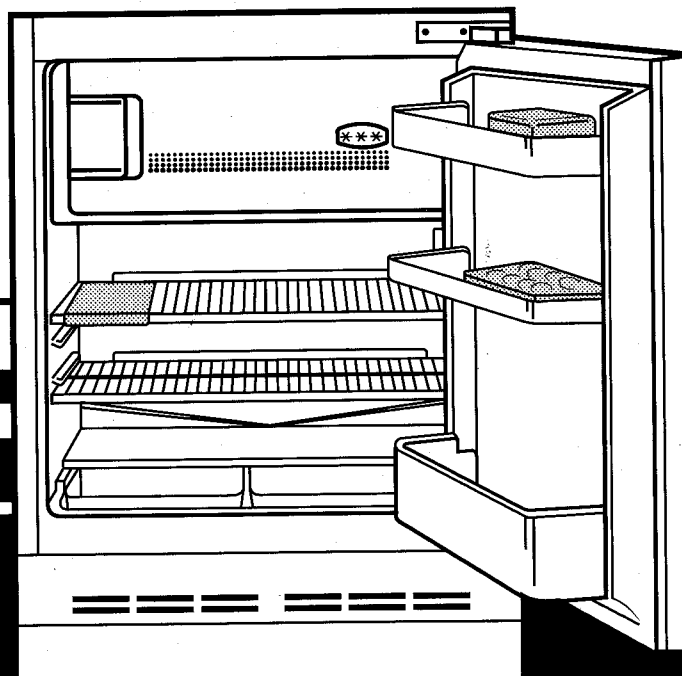
MODEL 46105

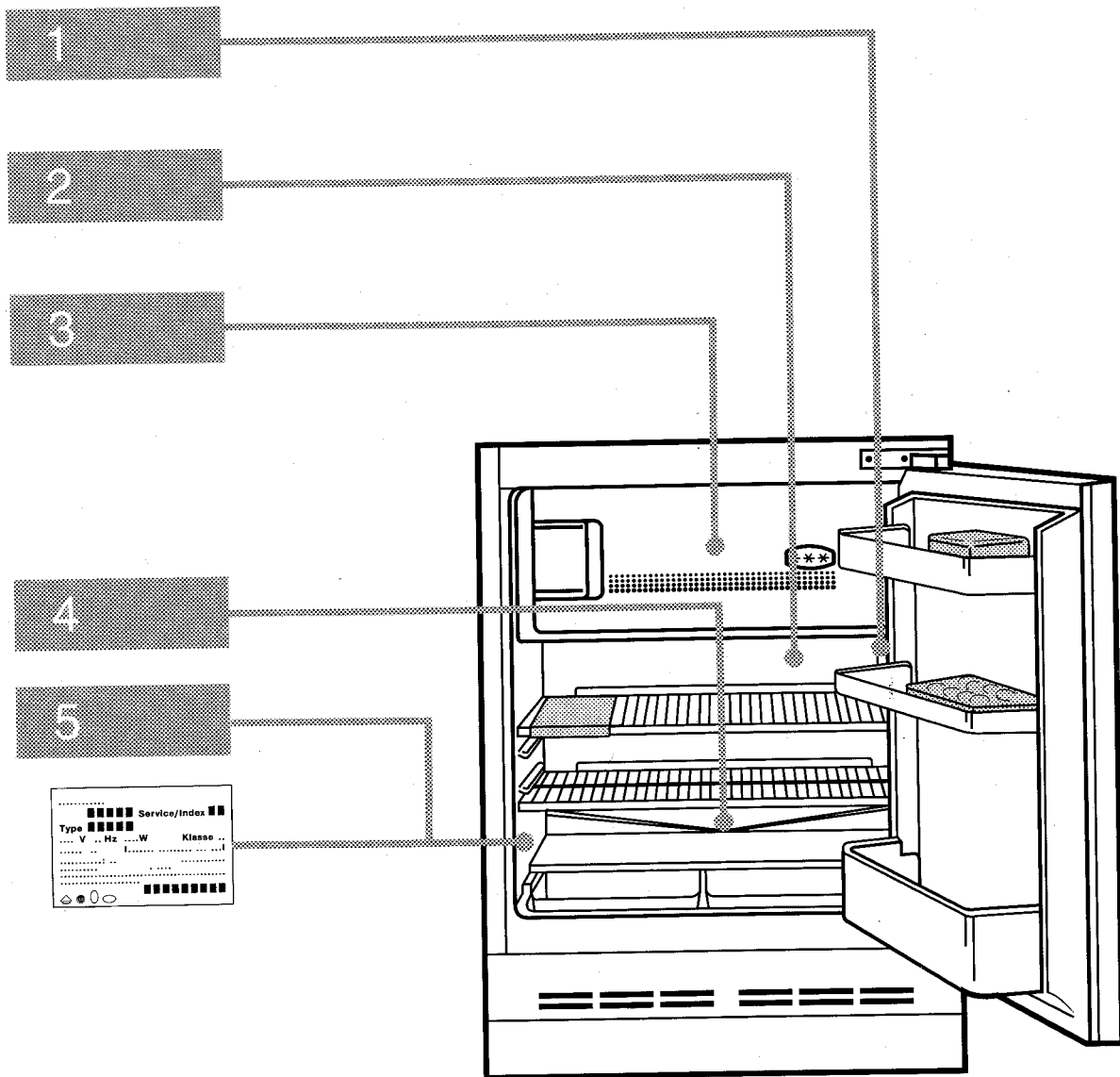
ATTENTION - You must read these instructions prior to installing and using the appliance and retain them for future reference

PART NO. 461000202 W

Operation and Installation Instructions

7080 890 11/93 KIU. 3





Contents

Operating instructions

	Page
Safety instructions and general guidelines	2
Air supply and ventilation	2
Power supply	2
Electrical Requirements	3
1 Switching on and off	4
Temperature adjustment	4
2 Refrigeration/storing food	4
Equipment	5
3 Three-star ice box	6
Making ice cubes	6
4 Defrosting	6
5 Cleaning	7
Interior light	7
Faults	7
Notes on saving energy	7

Installation instructions

1 Installing door hinges on opposite side	8
2 Installing in row of kitchen units	9
3 Installing decor panel	10
4 Installing under worktop	11
Adjusting plinth height	11
Adjusting decor panel	11

Safety and warning information

● To avoid the possibility of injury or damage, the appliance should be unpacked and set up by two persons.

● In the event of the appliance being damaged on delivery, contact the supplier immediately before connecting up to the mains.

● In order to ensure safe operation, set up and connect the appliance only as described in these operating instructions.

● Disconnect the appliance from the mains supply if any fault occurs. (Pull out plug or switch off and/or take out fuse.)

● Do not pull the cable but only the plug when disconnecting the appliance.

● Any repairs and work on the appliance should only be carried out by the customer service department or by a qualified specialist, as any unauthorised work could prove highly dangerous for the user.

● **If this appliance with a magnetic door catch should be intended as a replacement for an old appliance, remove the spring-action or bolt catch from the appliance, that is no longer needed or render it unusable so that children cannot become trapped inside when playing and suffocate.**

● Immediately render discarded appliances unusable: remove plug and cut through connecting cable. However, do not damage the freezer itself, e.g. by piercing the compressor's refrigerant lines or circuits with a sharp object, bending the pipes etc. Escaping refrigerant can cause injury to the eyes.

● Do not stand on the base, drawers or doors or use them to support anything else.

● Don't let children play with the appliance e.g. do not allow them to sit in the drawers or swing on the doors.

● Do not consume food which has been stored for too long, they can cause food poisoning.

● Please do not store explosive substances in the appliance. Turning on the light switch or the action of the thermostat may create sparks and cause explosive mixtures to ignite.

The appliance is suitable for cooling foodstuffs. It is intended for domestic use. If used for commercial purposes, observe the relevant legal regulations applicable to the trade concerned.

Environmental protection information

Packaging used to protect the appliance and individual parts in transit is produced from recyclable materials.

– Corrugated/plain card

– Polystyrene (PS) mouldings (foamed CFC-free polystyrene)

– Polyethylene (PE) film and bags

– Polypropylene (PP) tensioning straps

The life-expired appliance contains valuable materials. Make sure that the refrigerant circuit's pipes on the old, life-expired appliance are not damaged before it can be taken to a suitable refuse dump. This will ensure that the refrigerant contained inside is not released to the environment.

● Please take packaging and the unwanted appliance to the nearest official disposal point. This is to ensure that the various materials can be re-used or recycled, and will help to avoid waste.

To ensure that this appliance functions properly and above all that the temperature in the three-star ice box remains constant, the ambient temperature must not fall below +16° C.

These operating instructions describe all available controls and equipment items for the appliance. Please bear in mind that individual models may differ slightly, according to specification.

Air supply and ventilation

Always ensure that the appliance is well ventilated. Do not cover the ventilation grille when installing in a kitchen furniture unit.

Note the installation instructions for built in use at the end of these operating instructions.

Power supply

The power supply (AC) and voltage at the operating point must agree with the details on the type plate, which is located on the left inside panel next to the top drawers.

To ensure troublefree operation, do not connect the appliance to the power supply until about 1/2 to 1 hour after delivery. Connect the appliance with a properly earthed plug and socket, preferably located for easy access, not directly behind the appliance.

Electrical Requirements

**Warning – this appliance must be earthed.
Refer to rating plate for voltage.**

The flexible mains lead is supplied connected to a B.S. 1363 fused plug having a fuse of 13 amp capacity.

Should this plug not fit the socket outlets in your home, it should be cut off and replaced with a suitable plug, following the procedure outlined below:–

Note: Such a plug cannot be used for any other appliance and should therefore be properly disposed of and not left where children might find it and plug it into a supply socket – with the obvious consequent danger.

N.B. We recommend the use of good quality plugs and wall sockets that can be switched off when the machine is not in use.

Important: The wires in the mains lead fitted to this appliance are coloured in accordance with the following code:

Green and yellow – earth

Blue – neutral

Brown – live

As the colours of the wires in the mains lead of this appliance may not correspond with the coloured markings identifying the terminals in your plug, proceed as follows: –

The wire which is coloured green and yellow must be connected to the terminal in the plug which is marked with the letter E or by the earth symbol \perp or coloured green or green and yellow.

The wire which is coloured blue must be connected to the terminal which is marked with the letter N or coloured black.

The wire which is coloured brown must be connected to the terminal which is marked with the letter L or coloured red.

When wiring the plug, ensure that all strands of wire are securely retained in each terminal. Do not forget to tighten the mains lead clamp on the plug. If your electricity supply point has only two pin socket outlets, **or if you are in doubt, consult a qualified electrician.**

Should the mains lead ever require replacement, it is essential that this operation is carried out by a qualified electrician and should only be replaced with a flexible cord of the same size i.e. 1.25 mm².

After replacement of a fuse in the plug, the fuse cover must be refitted. If the fuse cover is lost, the plug must not be used until a replacement cover is obtained. The colour of the correct replacement fuse cover is that of the coloured insert in the base of the plug or the colour that is embossed in words in the base of the fuse recess or elsewhere on the plug. Always state this colour when ordering a replacement fuse cover.

Only 13 amp replacement fuses which are ASTA approved to B.S. 1362 should be fitted.

This appliance conforms to BS. 800: 1983 and EEC directive 87/308 regarding suppression of radio and television reception interference.

1

Switching the appliance on and off

● You are recommended to clean inside the appliance before switching on (see „Cleaning“ for further information).

Turn temperature regulator ① clockwise from position “0” to position “1”. The refrigerator is switched off when set to “0” (fig. A).

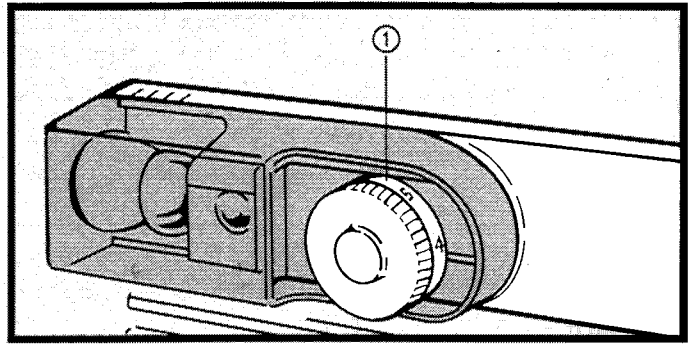


Fig. A

Temperature adjustment

The temperature is set at temperature regulator ①.

Position “1” = Minimum cooling

Position “7” = Maximum cooling

If storing frozen food in the three-star ice box, we recommend selecting a temperature setting between “4” and “7” for freezer temperatures of -18°C or lower.

Please note that inside temperatures depend on the ambient temperature, the location of the appliance, how often the door is opened and the amount of food inside. Adjust the temperature regulator if necessary.

2

Cold storage

Due to air circulation inside the refrigerator compartment, there are various temperature zones. The coolest areas are immediately above the vegetable trays and at the rear.

Storage example (fig. B):

- ① Butter, cheese
- ② Eggs
- ③ Bottles, cans
- ④ Deep-frozen food in three-star ice box
- ⑤ Pastries, prepared meals, bottles, dairy produce
- ⑥ Meat, sausage
- ⑦ Fruit, vegetables, salads, fresh herbs

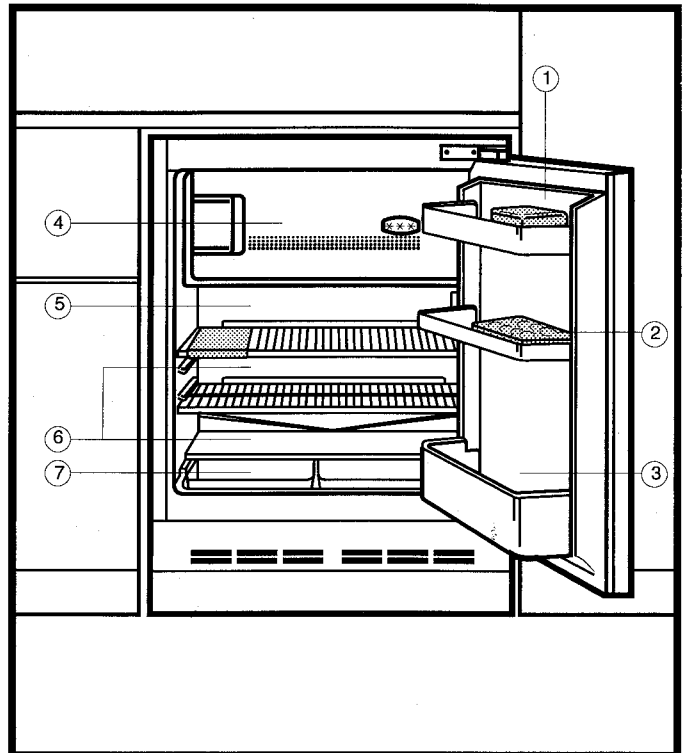


Fig. B

2

Equipment

The shelves can be inserted at various heights to accommodate the items stored in the refrigerator. To remove a shelf, pull it half-way out and then tilt it down or up to pull it out (fig. A). Always insert the shelf with the stop bar or edge facing upwards at the back, to prevent the contents freezing to the back of the appliance.

Additional space for storing tall bottles or containers can be obtained by removing the plastic flap in the full shelf (fig. B)

The door shelves can be removed when cleaning.

● Simply lift up the shelf and pull forward to remove; re-install following the reverse procedure (fig. C).

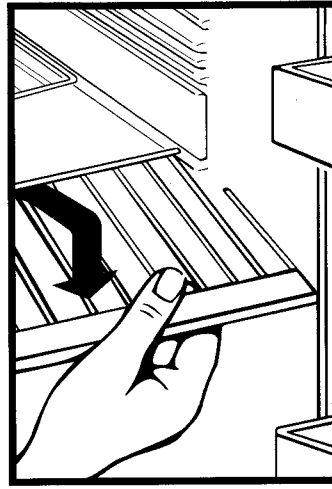


Fig. A

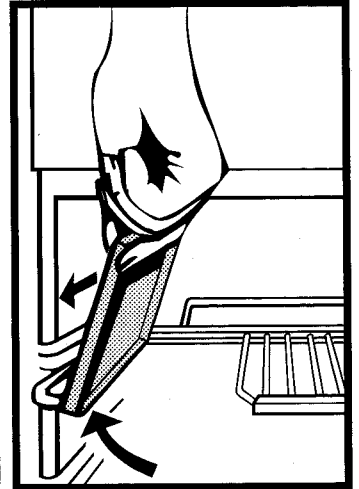


Fig. B

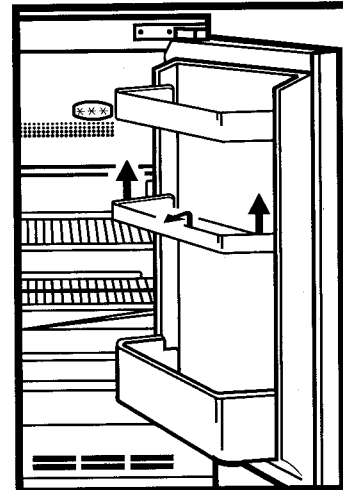


Fig. C

3

Three-star ice box

(if fitted)

The three-star ice box (fig. A) can be used for making ice cubes, and food may be deep-frozen or frozen food stored in it at a temperature of at least -18°C for several months. Always observe the specified storage limits and use the food by then.

Making ice cubes

Fill ice tray three-quarters with water and place in the three-star ice box.

The ice cubes can easily be removed from the tray by twisting slightly if the underside is held under running water for a short time.

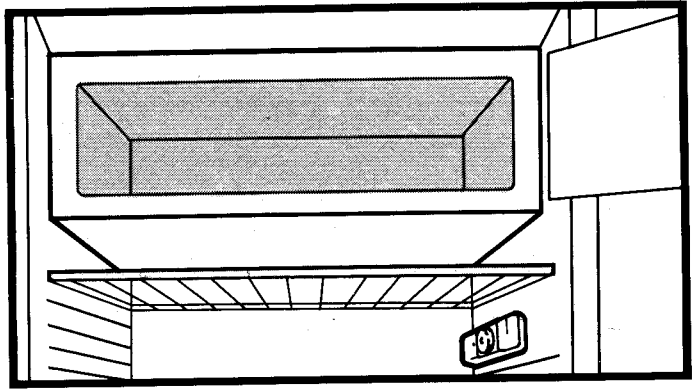


Fig. A

Notes on deep-freezing

- Don't put liquid filled bottles or sealed cans containing carbonated liquids (fizzy drinks etc.) into the freezer as they may burst.
- Don't give children lollipops and water-ices direct from the freezer. The low temperature may cause freezer burns on their lips.

4

Defrosting

The refrigerator compartment on appliances with three-star ice box is defrosted automatically. The melted ice collects in a tray and is evaporated automatically. Make sure that the water can run through the drain opening in the rear of the appliance above the vegetable trays. If necessary, pierce the drain opening with a sharp instrument to unblock it (fig. B).

The three-star ice box is not automatically defrosted, as frozen food in storage would otherwise thaw out. After a lengthy period of operation, a layer of frost or ice may form inside the compartment, and if allowed to become too thick will increase energy consumption.

For this reason, remove the frost layer with a plastic scraper.

Do not use metal tools or implements, as the surface could otherwise become damaged.

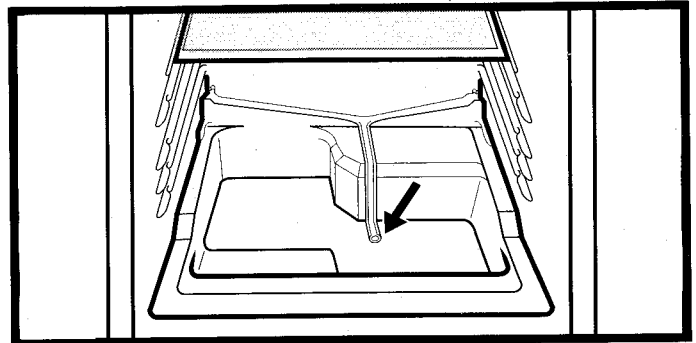


Fig. B

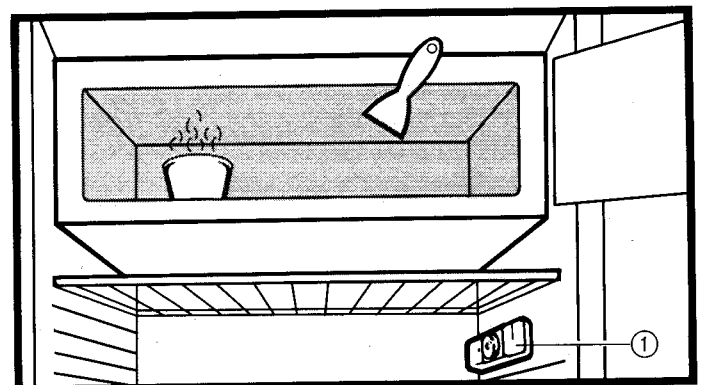


Fig. C

If a layer of hard ice has formed, the three-star ice box must be defrosted and cleaned. Remove frozen food and wrap in newspaper or blankets. Store in a cool place until defrosting is completed. To defrost, set the temperature regulator ① to „0“. To speed up defrosting, place a pan of hot (not boiling) water in the ice box (fig. C).

Never use an electric heating appliance to defrost the appliance.

Leave the refrigerator door open during defrosting. Wipe up any water on the floor with a sponge or cloth when the defrosting process is complete, and clean the compartment.

5

Cleaning

Before cleaning, always disconnect the mains plug or fuse.

Clean the **refrigerator compartment and equipment items** with lukewarm water and a small amount of washing-up liquid. Wipe down with clean water and dry thoroughly with a cloth. Never use abrasive cleaning agents. Ensure that no cleaning water penetrates into the regulator housing.

If the appliance is to remain out of use for any length of time, it should be emptied, defrosted, cleaned and the door left open to prevent odours from building up.

Interior light

Bulb data: 240 V, 15 W

Bulb holder: 14 E (never use a bulb rated at more than 15 W). Before renewing the bulb, **always disconnect the mains plug or fuse.**

● Access to the bulb is from the rear, behind the cover. Unscrew and renew the bulb, fig. C.

IMPORTANT: You must not operate the appliance without the bulb secured in it's housing.

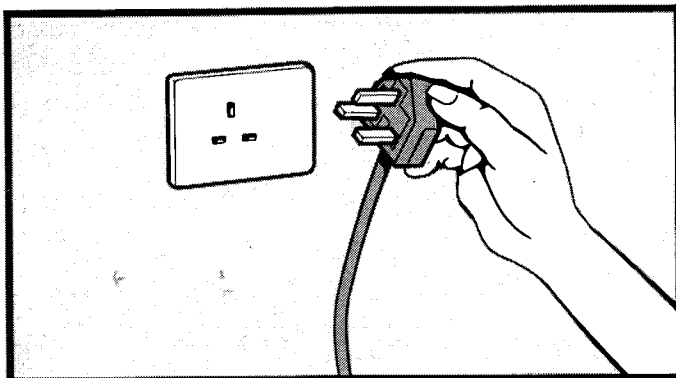


Fig. A

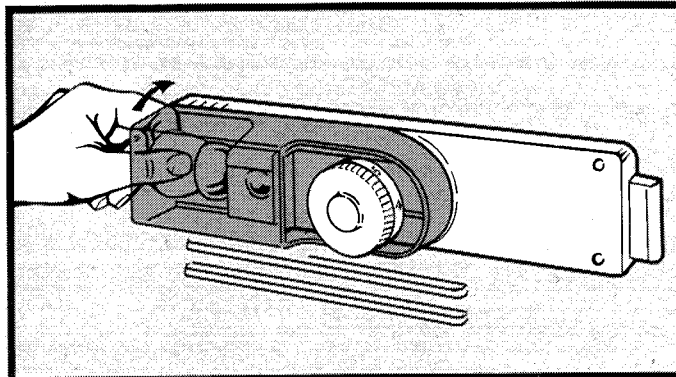


Fig. B

– Note that a certain amount of noise from the refrigerating circuit is inevitable.

● The temperature inside the refrigerator compartment is not low enough:

- The temperature control is at the wrong setting. Move to a higher setting if necessary.
- A thermometer placed inside the appliance is showing a false reading.
- The door is not properly closed or is opened too frequently.
- The air supply to the appliance is poor or there is inadequate ventilation. The vent grille is covered over.
- The appliance is located too near a source of heat.

If none of these circumstances applies and you are unable to repair the fault, please contact the nearest service point. Always quote the complete **type designation, spare parts index** and **appliance number**. The type plate is located on the left inside panel next to the vegetable trays.

The appliance complies with the relevant safety regulations. Electrical appliances may only be repaired by qualified electricians. Repairs carried out improperly may expose the user to considerable danger.

Notes on saving energy

● Avoid positioning the refrigerator next to heating or cooking appliances, as high ambient temperatures cause the compressor to cut in with excessive frequency and increase energy consumption unnecessarily.

● Ensure that the ventilation slots are not covered and make sure that there is a good supply of air to the compressor and also adequate ventilation.

● Allow warm food to cool to room temperature before placing in the appliance.

● Select the temperature setting according to the food stored.

● Keep all foodstuffs well packed and covered to avoid frosting in the appliance.

● Avoid opening the door unnecessarily and for long periods.

Faults

Your refrigerator is designed and built to ensure freedom from faults for a very long period of operation.

In the unlikely event of a fault occurring during operation, please consult the nearest service point, but check first that the fault is not due to an operating error. Wasted journeys have to be charged to the customer even during the warranty period.

You can repair the following faults yourself by checking their possible causes:

● Appliance does not run:

- Appliance is not switched on properly.
- Mains plug not properly inserted in the socket.
- Fuse for plug/socket has blown.

● Interior light does not come on in refrigerator compartment:

- Temperature control is at "0".
- Bulb has blown. Change the bulb as described at "Interior light".

● Excessive noise from appliance:

- It is not standing securely on the ground or the compressor is causing furniture or other objects to vibrate.

Make sure that movement of all rear-mounted components is not hindered; carefully bend any components making unnecessary contact.

1

Conversion and setting-up instructions

Installing door hinges on opposite side (if necessary)

- Slacken off the retaining screws ① on the appliance (detail, fig. A)
- Lift out the door
- Lever off cover caps ③ with a knife blade
- Insert retaining screws ① on opposite side (screws in a short way)
- Remove the door retaining screws ② and switch over the hinges according to fig. A
- Locate the door in positioned screws ① and tighten the screws. Slide hinge as far as hole so that the screw can be properly tightened in the cut-out provided (otherwise the interior light might not go out).
- Insert the cover caps ③ in the exposed holes.

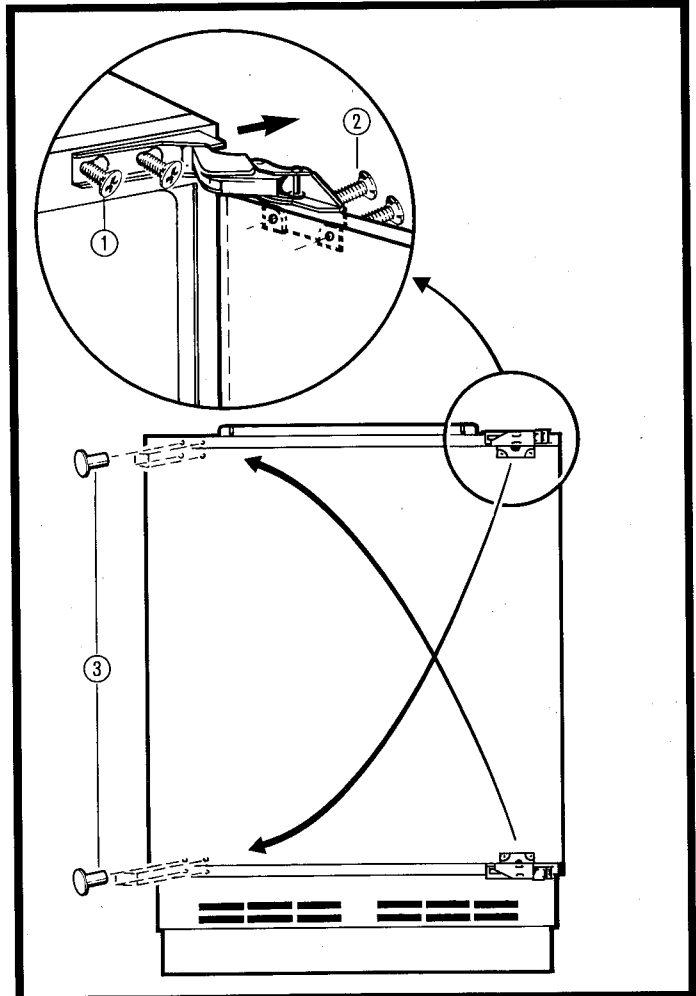


Fig. A

Three-star ice box

- Lever out plugs ① carefully with a knife blade or similar tool
- Unscrew and remove end piece ②
- Remove screws ③ from the door hinges, turn the compartment door through 180 degrees and screw back on at the opposite side
- Lift out plugs ④ with a knife blade and insert on the opposite side
- Screw the end piece to the exposed retaining holes
- Insert plugs ① to seal the hinge holes.

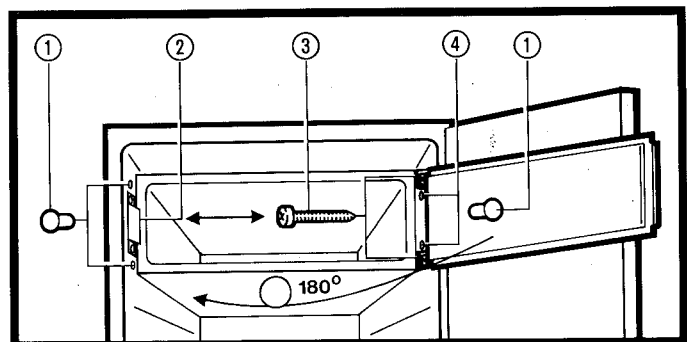


Fig. B

2

Installing

Check power supply

The current type (alternating current) and voltage at the installation location must correspond with the data on the manufacturer's plate.

The manufacturer's type plate is located next to the vegetable trays on the inside left. The appliance must be connected to the power supply via a properly-earthed power socket. The power socket ① must be positioned in an accessible position away from the appliance's installation niche (fig. A).

Installing

The appliance is suitable for integrated installation under worktops. Do not position it directly next to cooker, heating systems or other heat sources.

- Check installed dimensions according to the illustration
- Installed height, plinth height and plinth depth are variable.

Installed height 820 mm	Plinth height 100 to 170 mm depending on height of decor panel
870 mm	150 to 220 mm depending on adjustable feet and height of decor panel

The **plinth depth** can be adjusted between 22 and 77 mm.

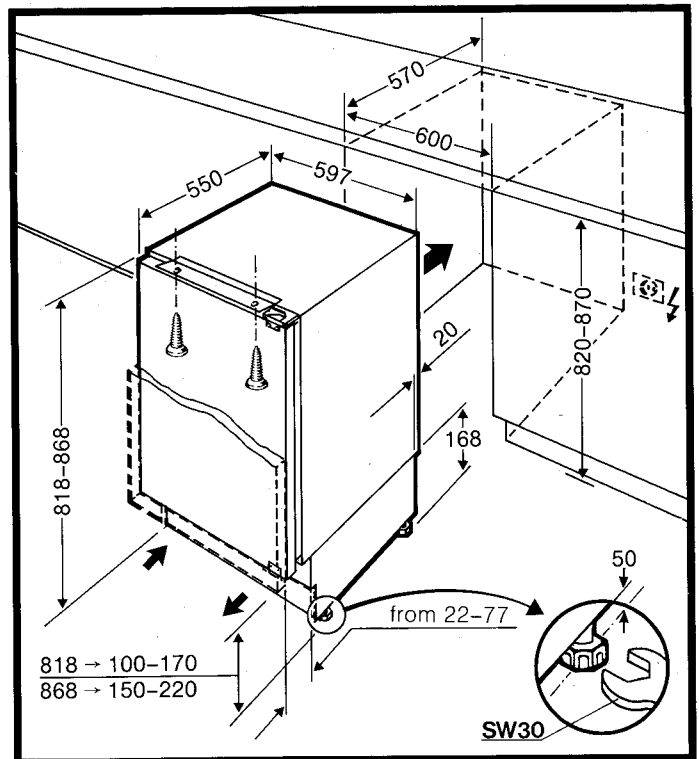


Fig. A

3

Installing decor panels

- Screw mounting bracket ① with enclosed screws on to decor panel as shown in fig. A.
- Fit the correct side towards the hinges.
- Gap 15 is designed to provide 5 mm clearance between the underside of the worktop and upper edge X of the decor panel.
- Use a Phillips screwdriver for the Phillips-head screws.
- Screw the four adjusting pins ② fully into the appliance door.
- Position the decor panel on the appliance door, introduce the locating pins at top into the slots in the mounting plate and open out according to detail fig. C (about 9 mm).

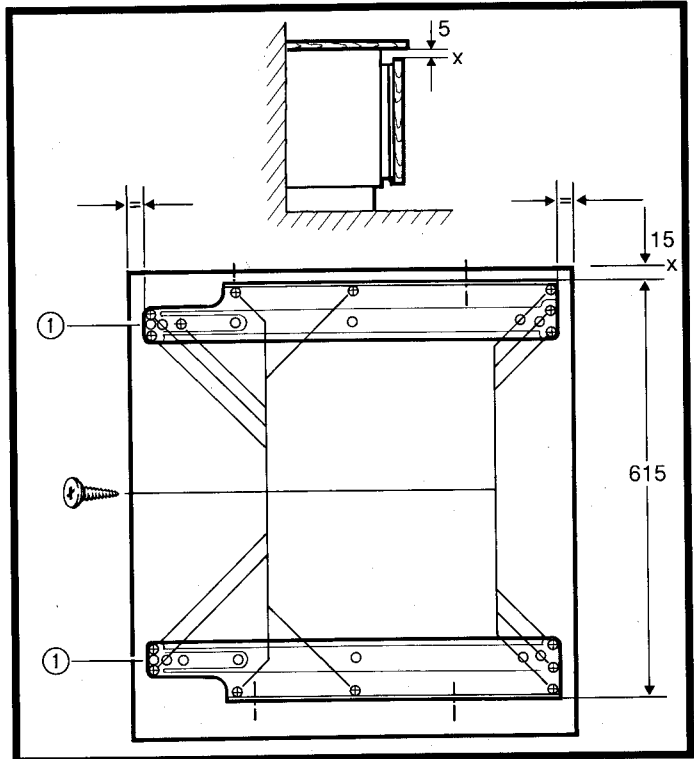


Fig. A

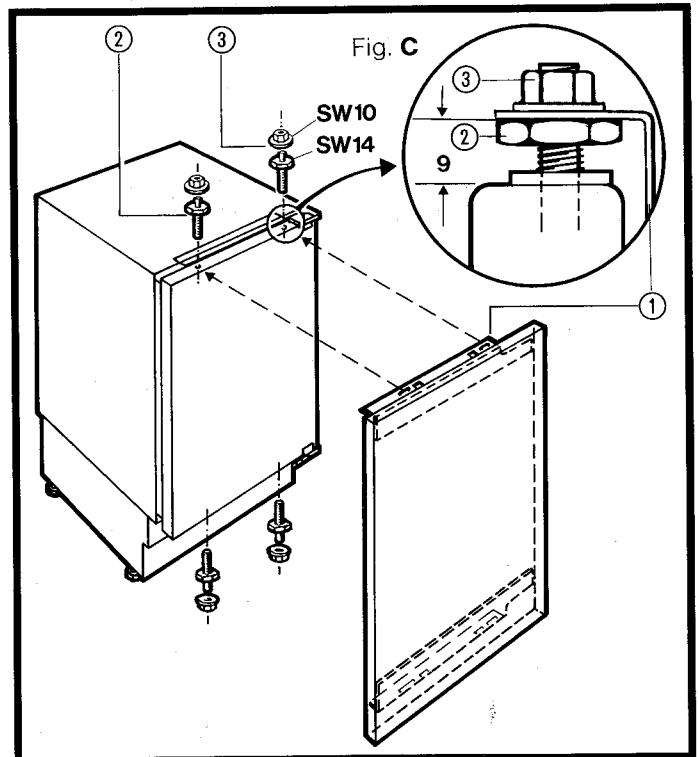


Fig. B

4

Installing under worktop

- **820 mm installed height:** push appliance into the niche. Only adjust its height at the adjustable feet if necessary, using a 30 mm open-ended wrench or size 2 screwdriver. Level out the appliance.
- **870 mm installed height:** open out the adjustable feet by app. 50 mm and level out the appliance.
- Push the appliance into the niche until the decor panel lies flush with adjacent furniture items; adjust at the feet if necessary.
- Pre-adjust the appliance at slots ④ (fig. C) in the mounting plate on the worktop.

Adjusting plinth depth

- Lift out the decor panel.
- Grip the plinth at the ventilation grille and align until flush with adjacent furniture items, or join up to the continuous plinth if fitted. Cut away the continuous plinth trim as illustrated for ventilation.
- Never cover over the ventilation slots.
- Attach the appliance plinth at screws ⑤ (turn screws clockwise until considerable resistance is felt).
- To adjust the plinth height, turn the screws anticlockwise through app. 8 to 10 revolutions.

Adjusting decor panel

- Position the decor panel on the appliance. Open loose locking nuts.
- **Adjust height Y** at locating pin (14 mm wrench) as shown in fig. C, $Y = \max. \pm 3.5$ mm
- **Adjust side measurement X** at slots on mounting bracket at top, $X = \max. \pm 3$ mm.
- Open out lower locating pins until contact is made with the mounting plate. Secure with locking nuts.
- If necessary, adjust the alignment of the lower decor panel edge at 10 x 12 hole in mounting bracket, $Z = \pm 2$ mm. Then tighten locking nuts again.
- Push on cover trim ⑥ and engage (to remove, lever out the trim strip with a screwdriver as illustrated).
- When aligned, secure the appliance to the worktop at retaining slots.

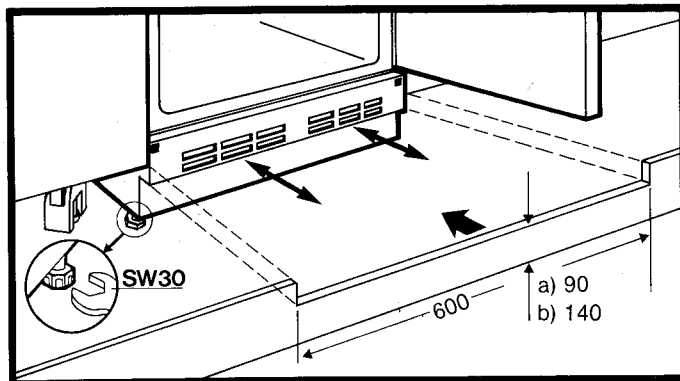


Fig. A

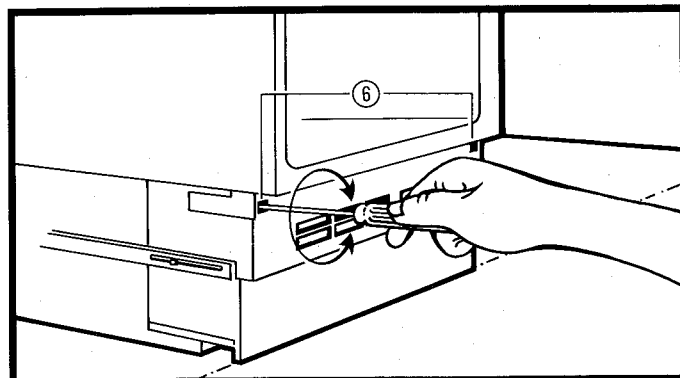


Fig. B

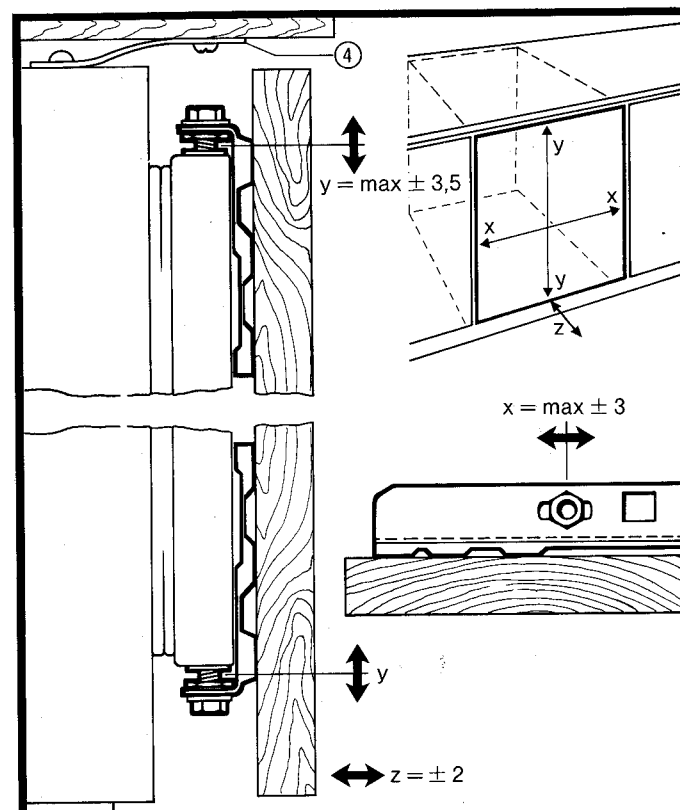


Fig. C

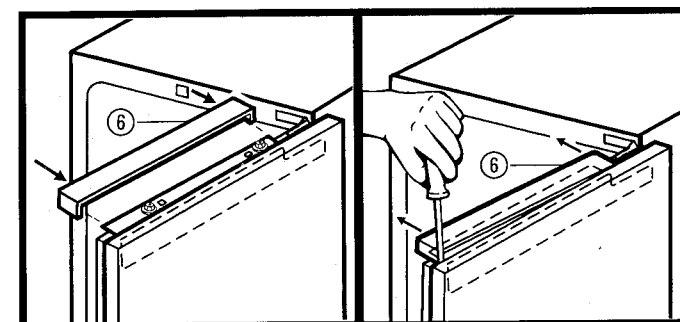


Fig. D

Fig. E

The appliance is interference-suppressed to EN 55014 and thus complies with EC directive 87/308 EEC.

The manufacturer is continuously developing all its types and models and must therefore reserve the right to modify designs, equipment and technical features.

[Redacted line]

[Redacted line]

[Redacted block]