

FWV450 and FWV900 Wine Coolers

Manual for Installation, Use and Maintenance



CDA



Important

The CDA Group Ltd cannot be held responsible for injuries or losses caused by incorrect use or installation of this product. Please note that CDA reserve the right to invalidate the guarantee supplied with this product following incorrect installation or misuse of the appliance or use in a commercial environment.

This appliance is not designed to be used by people (including children) with reduced physical, sensorial or mental capacity, or who lack experience or knowledge about it, unless they have had supervision or instructions on how to use the appliance by someone who is responsible for their safety.

Under no circumstances should any external covers be removed for servicing or maintenance except by suitably qualified personnel.

Appliance information:

Please enter the details on the appliance rating plate below for reference, to assist CDA Customer Care in the event of a fault with your appliance and to register your appliance for guarantee purposes.

Appliance Model	<input type="text"/>
-----------------	----------------------

Serial Number	<input type="text"/>
---------------	----------------------

CE Declarations of Conformity:

This appliance has been designed, constructed and marketed in compliance with safety requirements of EEC Directive 2006/95/EEC (Low voltage) and requirements of EMC Directive 2004/108/EEC.

IMPORTANT INFORMATION FOR CORRECT DISPOSAL OF THE PRODUCT IN ACCORDANCE WITH EC DIRECTIVE 2002/96/EC.

At the end of its working life, the product must not be disposed of as urban waste. It must be taken to a special local authority differentiated waste collection centre or to a dealer providing this service.

Disposing of a household appliance separately avoids possible negative consequences for the environment and health deriving from inappropriate disposal and enables the constituent materials to be recovered to obtain significant savings in energy and resources. As a reminder of the need to dispose of household appliances separately, the product is marked with a crossed-out wheeled dustbin.



Before first use

You must allow the appliance to settle for at least twenty four hours prior to switching the power on.

It is recommended that you remove all internal and external packaging and clean the interior of the appliance prior to first use, using a solution of bicarbonate of soda and warm water and then thoroughly dry the interior.

The appliance may have an odour to it at first use. This will disappear as the appliance cools.

Please note:

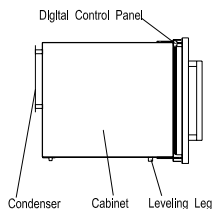
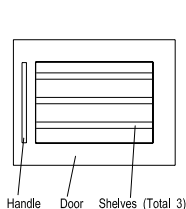
- The appliance will work continuously until it gets to the correct temperature.
- If the appliance is switched off, you should allow five minutes before switching it on again to prevent the risk of unnecessary damage to the compressor.
- The LED display may not show the selected temperature whilst the appliance first gets to the correct temperature. This is normal, and the display will be corrected automatically once the appliance has run for a few hours.

Use

- Only store wine in sealed containers
- Do not overload the cabinet
- Only open the door when necessary
- Do not cover the shelves with aluminium foil or anything else that will prevent air from circulating around the cabinet.
- To prevent damage to the door seal, ensure the door is fully open before removing the shelves.
- This appliance has been designed to work at an ambient temperature between 5°-38°C. Use of the appliance outside of these parameters may cause the unit to fail.
- This is a self-defrosting appliance. The compressor will not run during the thirty minute defrost cycle.
- Do not pull the shelves beyond the anti-stop position (approximately one third out) when fully loaded.

Use and Controls

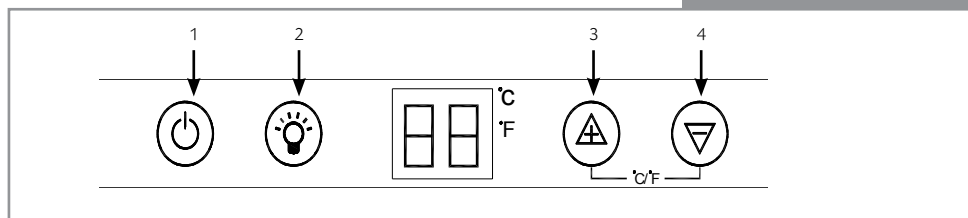
FWV450



Key:

- 1 – Power button
- 2 – Light button
- 3 – Up button
- 4 – Down button

FWC450 control panel



To switch the power on/off

Press and hold the power button for five seconds.

To change the temperature

- Press the up or down buttons until the required temperature is shown on the display.
- The preset temperature is 12°C / 54°F.
- To change the temperature display from Fahrenheit to Celsius, or Celsius to Fahrenheit, press and hold the up and down buttons simultaneously for five seconds.
- To view the set temperature, touch the up or down button at any time and the set temperature will flash in the LED display for five seconds.

Optimal temperature selection

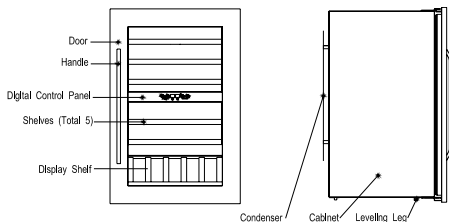
Whilst wine is best stored at temperatures between 13 and 15°C, your wine can also be stored at drinking temperature. For red wine this is between 15 and 17°C, and for white wine between 12 and 13°C.

To use the internal light

- Press the light button to switch the light on or off.

Use and Controls

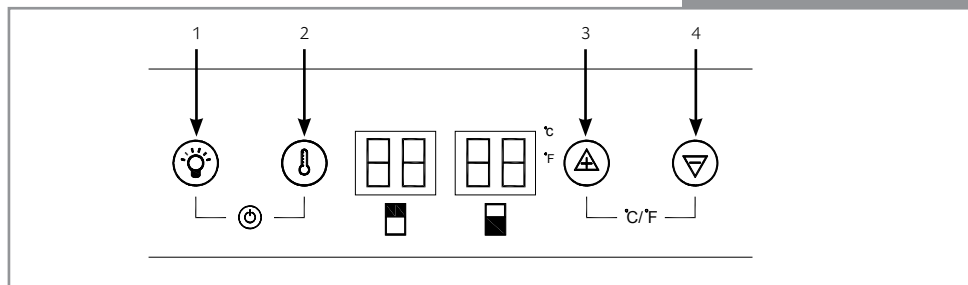
FWV900



Key:

- 1 – Light button
- 2 – Temperature set button
- 3 – Up button
- 4 – Down button

FWC450 control panel



To switch the power on/off

Press and hold the light and temperature set buttons simultaneously for five seconds.

To change the temperature

- Press the temperature set button once to select the upper zone.
- The LED display for the upper zone will flash.
- Press the up or down buttons until the required temperature is shown on the display.
- Press the temperature set button again to select the lower zone.
- The LED display for the lower zone will flash.
- The preset temperature for the upper zone is 10°C / 50°F and for the lower zone is 16°C / 60°F.
- To change the temperature display from Fahrenheit to Celsius, or Celsius to Fahrenheit, press and hold the up and down buttons simultaneously for five seconds.
- To view the set temperature in either zone, touch the up or down button at any time and the set temperature will flash in the LED display for five seconds.

Optimal temperature selection

Whilst wine is best stored at temperatures between 13 and 15°C, your wine can also be stored at drinking temperature, for red wine this is between 15 and 17°C, and for white wine between 12 and 13°C.

To use the internal light

- Press the light button to switch the light on or off.



Care and Cleaning

Always disconnect the appliance from the mains electrical supply before any cleaning or maintenance.

- Do not use abrasive products or detergents. After washing, rinse and dry thoroughly.
- The exterior of the appliance and the door seal should be cleaned using mild soapy water and dried thoroughly.
- The interior cabinet should be cleaned using a solution of bicarbonate of soda and lukewarm water.
- Clean the shelves separately by hand using soap and water. Do not put them in the dishwasher.
- Ensure that the cloth is only moist when cleaning the control panel and electrical parts, and that all water is thoroughly dried off before reconnecting the power.
- Once cleaning is complete, reconnect the mains electrical supply.
- If the appliance is not to be used for prolonged periods of time, unplug and clean the appliance thoroughly. The door should be left slightly ajar to prevent the formation of odours or condensation.

Troubleshooting

If you have any problems with your appliance, you should check the troubleshooting guide prior to calling CDA Customer Care to prevent unnecessary service calls and potential cost.

If the appliance is not working, check

- There is power to the appliance
- The house fuses or circuit breakers are intact and the fuse in the plug has not blown.
- The plug socket is functioning correctly. To check this, plug another electrical appliance in to see if the socket is working.
- The ambient temperature is between 5-38°C.

The appliance is working, but not very well, check

- The appliance is not overloaded.
- The thermostat is set to an appropriate temperature.
- The door is closing properly.
- The door gasket is sealing properly
- There is enough ventilation at the side and rear walls.
- The ambient temperature is between 5-38°C.

The appliance is noisy, check

- The appliance is level and stable.
- The cooling gas will make some noise, even when the compressor is not running.
- During operation, it is normal for the fan to run, even when the compressor is not running.

The light does not work, check

- There is power to the appliance
- The house fuses or circuit breakers are intact and the fuse in the plug has not blown.
- The light button is not set to off

Please note: The LED lighting cannot be replaced without a service call. If the light fails, contact CDA Customer Care.

The door will not close properly, check

- The appliance is level and stable.
- If the door has been removed, it may not have been correctly refitted
- The door seal is dirty
- The shelves are not positioned correctly

The display show "EL" or "EH"

- The temperature sensor has failed

Installing the wine cooler

This appliance is intended to be built in to a kitchen cabinet.

This appliance should be installed in a well ventilated, dry room.

This appliance must not be installed:

1. In direct sunlight
2. Adjacent to a heat source (oven or radiator)
3. Below a hob unit

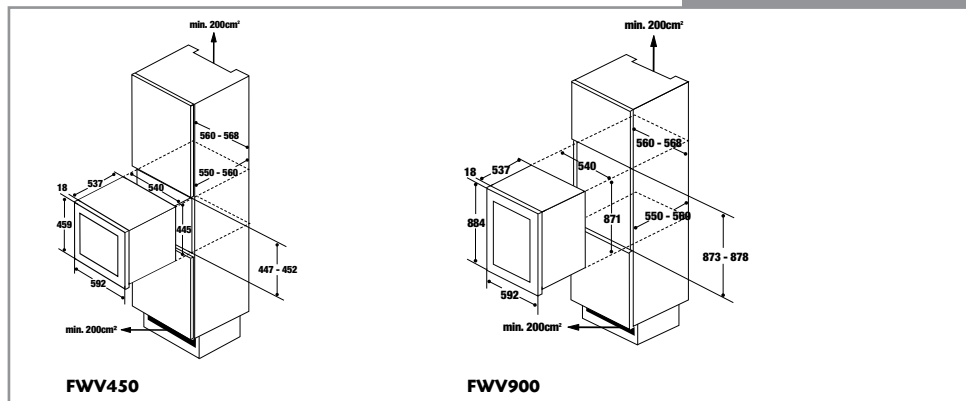
Place your wine cooler in a location which is strong enough to support its weight when fully loaded. To level the wine cooler, adjust the front levelling legs at the bottom of the wine cooler.

Ensure that there is an adequate flow of air at the rear of the cabinet, as shown in the diagram.

Please note that a plinth vent of at least 200 cm² is recommended to allow for sufficient ventilation. If a ventilation intake is provided elsewhere, the plinth vent may not be necessary.

IMPORTANT: Failure to follow the instructions regarding installation and ventilation may invalidate the warranty supplied with your appliance.

To ensure the proper functioning of the appliance, air vents should never be blocked or covered.



To install the handle

IMPORTANT: Do not overtighten the screws, and do not use power tools to install the handle.

1. Carefully remove the door seal on the side you wish to install the handle.
2. Insert the screw from the inside of the door frame and screw it in to the handle, using the screws, lock washers and flat washers provided.
3. Replace the door seal.

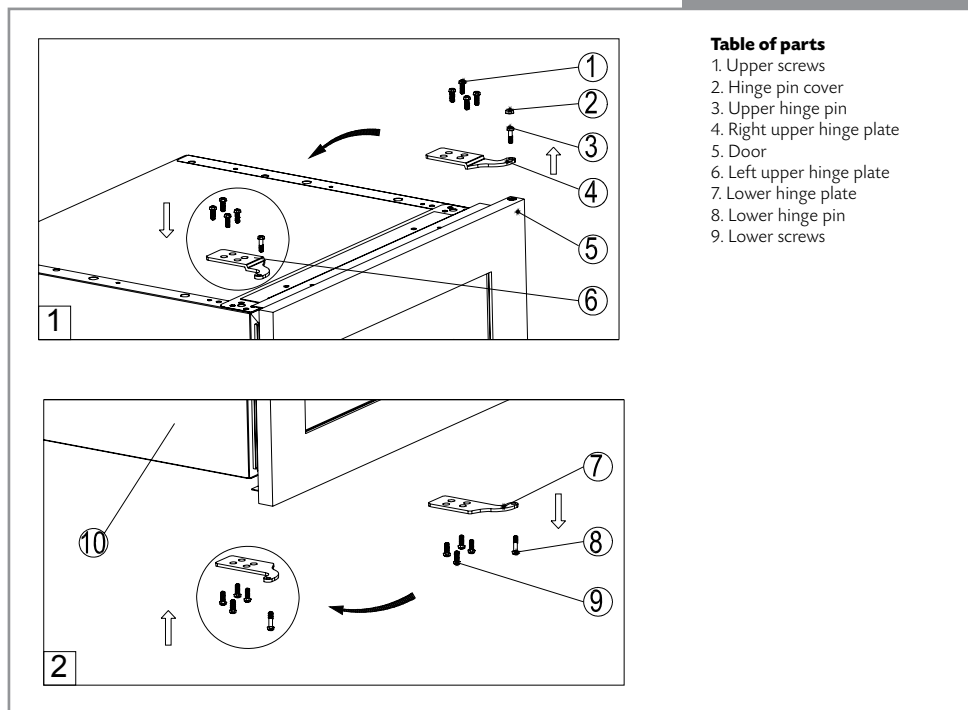
Reversing the door

It is possible to reverse the door on this appliance, if required.

To do so, follow the steps below:

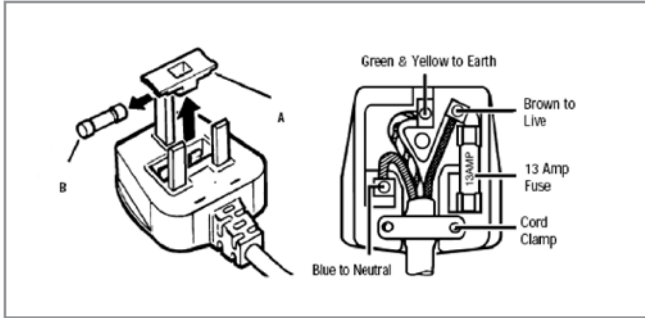
1. With the door closed, remove the upper hinge pin cover, and then the upper and lower hinge pins. Support the door to prevent it falling.
2. Remove the door carefully and place it on a padded surface to avoid the risk of damage.
3. Unscrew the four upper hinge plate screws on the right hand side and the blanking screws on the upper left hand side. Remove the right upper hinge plate. Fit the left upper hinge plate, supplied with the instructions, using the four hinge plate screws, and then fit the blanking screws on the right.
4. Unscrew the four lower hinge plate screws on the right hand side and the blanking screws on the lower left hand side. Remove the right lower hinge plate and rotate the hinge plate 180°. Refit the lower hinge plate on the lower left hand side using the four hinge plate screws, and then fit the blanking screws on the right.
5. Rotate the door 180° and then relocate it on the upper and lower hinge plates. Refit both upper and lower hinge pins.
6. To level the door, adjust the upper and lower hinge plate screws and then tighten securely.

Please note: Keep the spare upper hinge plate to be able to reverse the door back again.



Electrical information

Warning! This appliance must be earthed.



The mains lead of this appliance has been fitted with a BS 1363A 13 amp fused plug. To change a fuse in this type of plug, follow the steps below:

1. Remove the fuse cover and fuse.
2. Fit a replacement 13A fuse, ASTA approved to BS 1362 type, into the fuse cover.
3. Replace fuse cover.

Important: Do not use the appliance without the fuse cover in position.

How to connect an alternative plug

If the fitted plug is not suitable for your socket outlet, then it should be cut off and disposed of safely to avoid possible shock hazard. A suitable alternative plug of at least 13 Amp rating to BS 1363 should be used.

As the colours of the wires in the mains lead of this appliance may not correspond with the coloured markings identifying the terminals in your plug, proceed as follows:-

- The wire which is coloured GREEN and YELLOW must be connected to the terminal which is marked with letter (E) or by the Earth symbol \equiv or coloured GREEN and YELLOW.
- The wire which is coloured BLUE must be connected to the terminal which is marked with the letter (N), or coloured BLACK.
- The wire which is coloured BROWN must be connected to the terminal which is marked with the letter (L) or coloured RED.

If in doubt regarding the electrical connection of this appliance, consult a qualified electrician. Do not shorten the supply cable, the appliance may require removing for servicing.

N.B. Ensure that the plug socket is situated in an easily accessible place.





To contact our Customer Care Department, or for Service,
please contact us on the details below.