

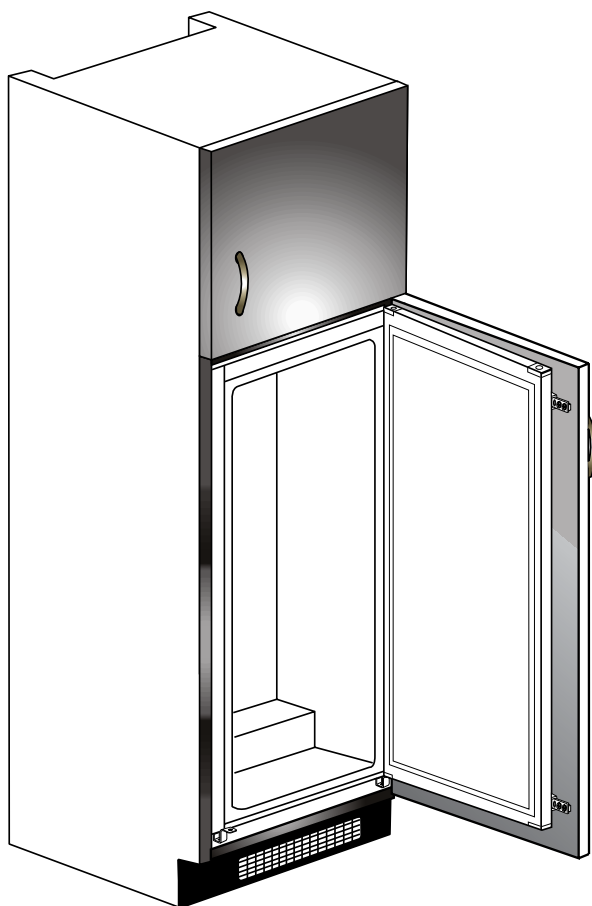
# BEKO



## **BK 7681 DF PLUS**

**GB**

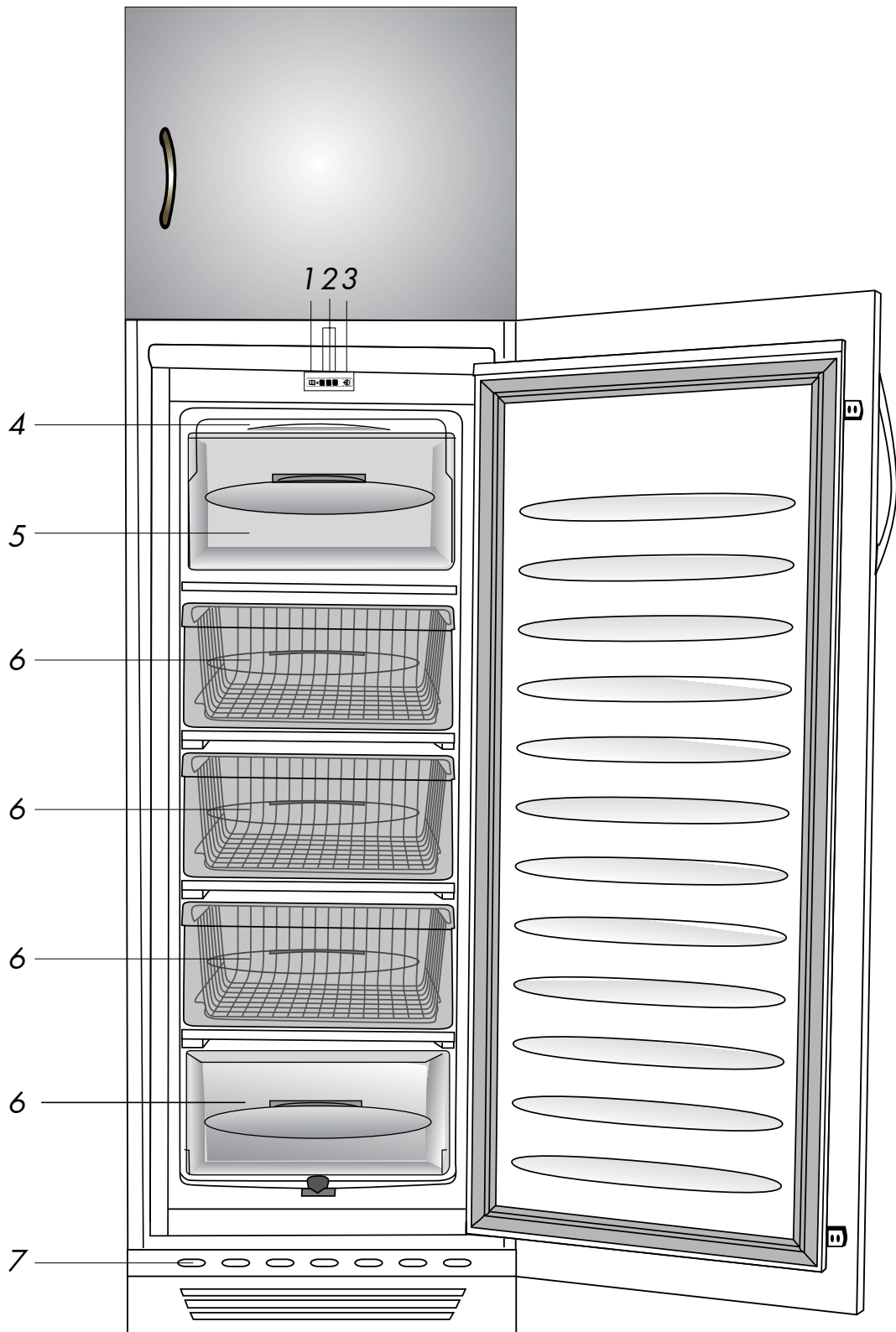
*Instructions for use*

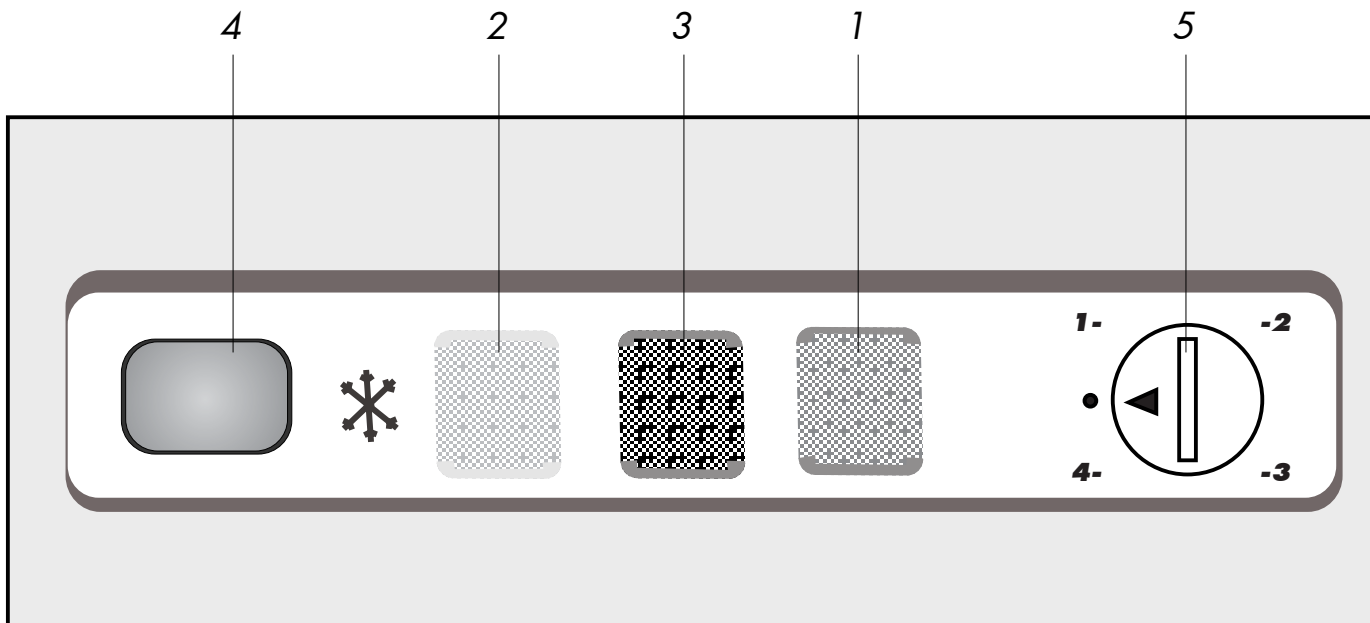


## **GB** Index

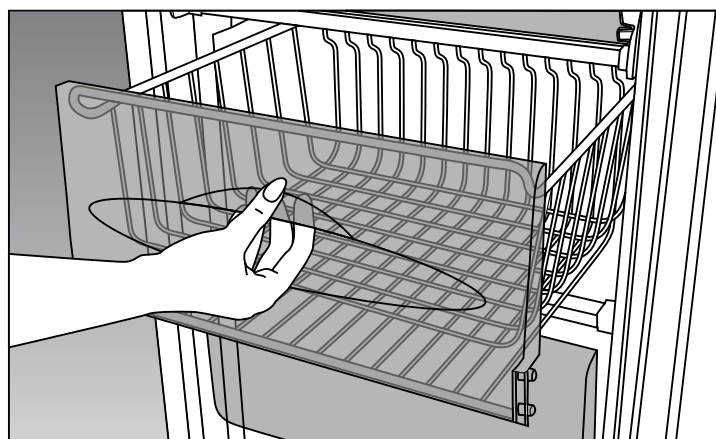
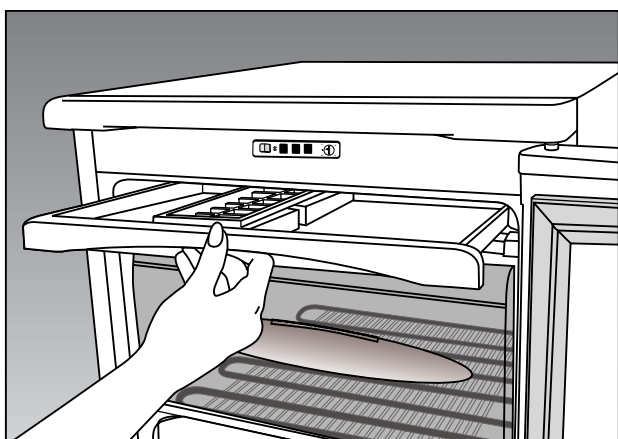
1-8

*Safety first/1*  
*Electrical requirements/2*  
*Transportation instructions/2*  
*Installation instructions/2*  
*Temperature control and adjustment/3*  
*Before operating/3*  
*Indicator lights/4*  
*Storing frozen food/4*  
*Freezing fresh food/4*  
*Frozen food symbols - Freezer calendar/5*  
*Making ice cubes/5*  
*Getting to know your appliance/5*  
*Defrosting/6*  
*Cleaning and care/6-7*  
*Repositioning the door/7*  
*Do's and don'ts/7-8*  
*Trouble - shooting/8*



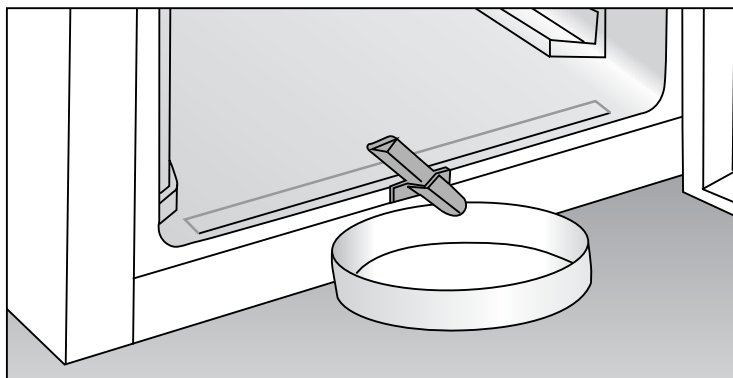


2



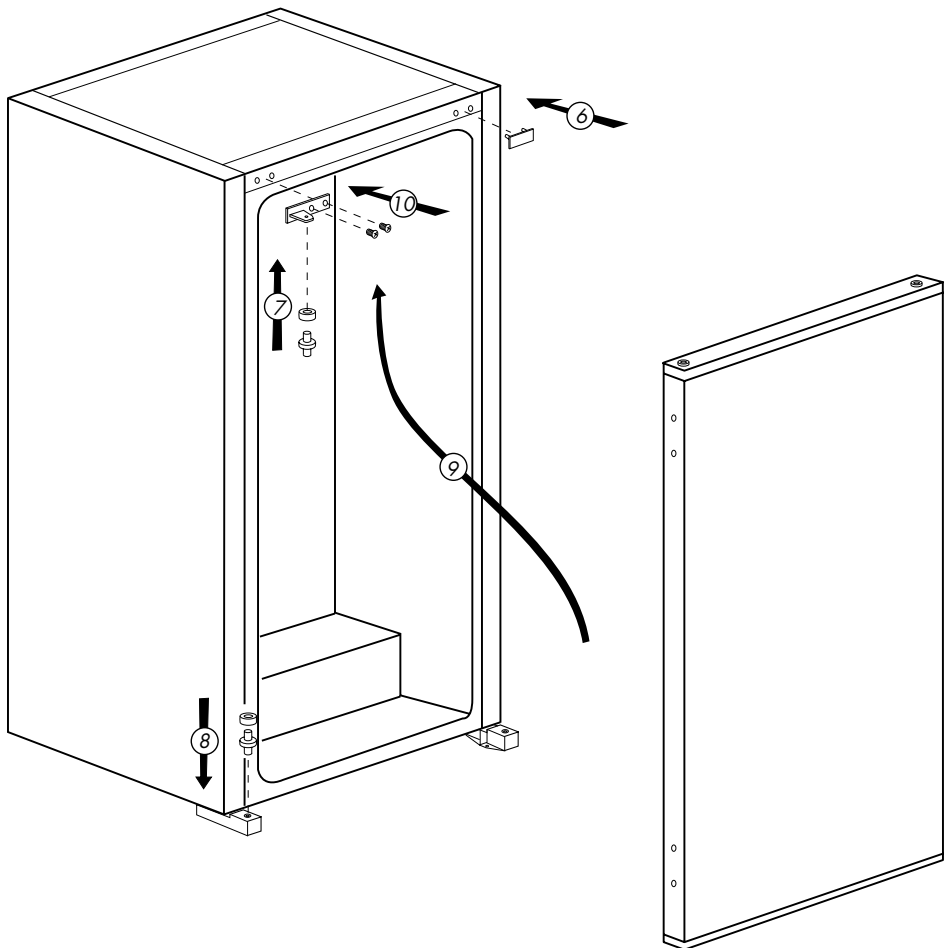
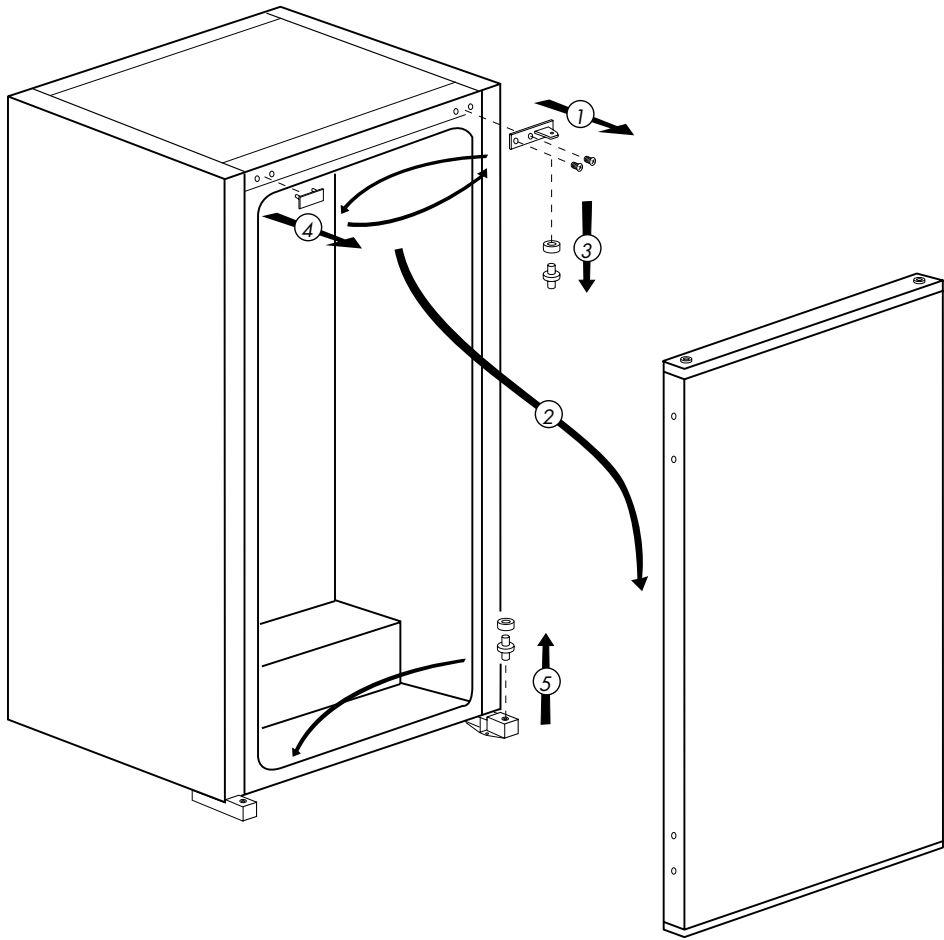
3

4



5

6



Congratulations on your choice of a **BEKO** Quality Appliance, designed to give you many years of service.

## **Safety first!**

Do not connect your appliance to the electricity supply until all packing and transit protectors have been removed.

- Leave to stand for at least 4 hours before switching on, to allow compressor oil to settle, if transported horizontally.
- If you are discarding an old appliance with a lock or latch fitted to the door, ensure that it is left in a safe condition to prevent the entrapment of children.
- This appliance must only be used for its intended purpose.
- Do not dispose of the appliance on a fire. Your appliance contains non CFC substances in the insulation which are flammable. We suggest you contact your local authority for information on disposal and available facilities.
- We do not recommend use of this appliance in an unheated, cold room. (e.g. garage, conservatory, annex, shed, out-house etc.)

To obtain the best possible performance and trouble free operation from your appliance it is very important to read these instructions carefully. Failure to observe these instructions may invalidate your right to free service during the guarantee period.

Please keep these instructions in a safe place for easy reference.

## Electrical requirements

Before inserting the plug into the wall socket make sure that the voltage and the frequency shown in the rating plate inside the appliance corresponds to your electricity supply. We recommend that this appliance be connected to the mains supply via a suitably switched and fused socket in a readily accessible position.

### **Warning! This appliance must be earthed.**

Repairs to electrical equipment should only be performed by a qualified technician. Incorrect repairs carried out by an unqualified person are carry risks that may have critical consequences for the user of the appliance.

## Transportation instructions

1. The appliance should be transported only in a upright position. The packing as supplied must be intact during transportation.
2. If during the course of transport the appliance, has been positioned horizontally, it must not be operated for at least 4 hours, to allow the system to settle.
3. Failure to comply with the above instructions could result in damage to the appliance, for which the manufacturer will not be held liable.
4. The appliance must be protected against rain, moisture and other atmospheric influences.

### **Important!**

- Care must be taken while cleaning/carrying the appliance not to touch the bottom of the condenser metal wires at the back of the appliance, as this could cause injury to fingers and hands.
- Do not attempt to sit or stand on top of your appliance as it is not designed for such use. You could injure yourself or damage the appliance.

- Make sure that the mains cable is not caught under the appliance during and after moving, as this could damage the cable.
- Do not allow children to play with the appliance or tamper with the controls.

## Installation instructions

1. Do not keep your appliance in a room where the temperature is likely to fall below 10 degrees C (50 degrees F) at night and/or especially in winter, as it is designed to operate in ambient temperatures between +10 and +32 degrees C (50 and 90 degrees F). At lower temperatures the appliance may not operate, resulting in a reduction in the storage life of the food.
2. Do not place the appliance near cookers or radiators or in direct sunlight, as this will cause extra strain on the appliance's functions. If installed next to a source of heat or freezer, maintain the following minimum side clearances:  
From Cookers 30 mm  
From Radiators 300 mm  
From Freezers 25 mm
3. Make sure that sufficient room is provided around the appliance to ensure free air circulation.
4. The appliance should be positioned on a smooth surface.
5. Refer to "Cleaning and Care" section to prepare your appliance for use.

## Temperature control and adjustment

Temperature is controlled by the thermostat knob (**Fig. 2**). "Number 4" is the coldest setting.

The normal storage temperature of your appliance should be  $-18\text{ }^{\circ}\text{C}$  ( $0\text{ }^{\circ}\text{F}$ ). Lower temperatures may be obtained by adjusting the thermostat knob towards Position 4.

We recommend checking the temperature with a thermometer to ensure that the storage compartments are kept to the desired temperature. Remember to take the reading immediately since the thermometer temperature will rise very rapidly after you remove it from the freezer.

Please remember that each time the door is opened cold air escapes and the internal temperature rises. Therefore never leave the door open and ensure it is closed immediately after food is put in or removed.

## Before operating

### Final Check

Before you start using the freezer check that:

**1.** The interior is dry and air can circulate freely at the rear.

**2.** The interior is clean as recommended under "CLEANING AND CARE."

**3.** The plug is inserted into the wall socket and the electricity supply is switched on. Avoid accidental disconnection by taping over the switch. Green and red lights will glow and the compressor will start running.

### And note that:

**4.** You will hear a noise as the compressor starts up. The liquid and gases sealed within the refrigeration system may also make some noise, whether the compressor is running or not. This is quite normal.

**5.** If you are going to store ready-frozen food, open the freezer door and check that the fast-freeze switch is off (the amber light will not come on). The red light will go out when the freezer has reached the correct temperature. Then you can put in your ready-frozen food. (See Storing Frozen Food section).

**6.** If you are going to freeze fresh food, you must press the fast-freeze switch. The amber light will come on and you must wait at least three hours before putting in your fresh food to be frozen. (See Freezing Fresh Food section).

**7.** We recommend setting the thermostat knob at 3 and monitoring the temperature to ensure the appliance maintains desired storage temperatures (see section "Temperature control and adjustment").

**8.** Do not load the appliance immediately it is switched on. Wait until the correct storage temperature has been reached. We recommend that you check the temperature with an accurate thermometer (see; Temperature Control and Adjustment).

### Important Note:

If there is a power failure do not open the door. Frozen food should not be affected if the failure lasts for less than 16 hours. If the failure is longer, then the food should be checked and either eaten immediately or cooked and then re-frozen.



## Indicator lights

There are three coloured indicator lights located inside the appliance which show the operating mode of the freezer (**Fig. 2**).

### **Green Indicator (1)**

Illuminates when the appliance is connected to the mains and will glow as long as there is electricity present. The green light will not glow if the thermostat is set in the 'O' position. The green indicator does not give any indication of the temperature inside the freezer.

### **Amber Indicator (2)**

This indicator will glow when the **fast-freeze switch (4)** is on and will continue to glow until the fast-freeze switch is turned off. The compressor will run continuously whilst the fast-freeze switch is on. Fast-freeze operation is for freezing fresh food (see Freezing Fresh Food, section).

### **Red Indicator (3) Illuminates:**

- a.** When the appliance is first switched on, and will stay on until the pre-set temperature has been attained.
- b.** If the pre-set temperature can not be maintained.
- c.** If the appliance is overloaded with fresh food.
- d.** If the appliance door is left open accidentally.

### **Thermostat knob (5)**

The thermostat knob is located on the indicator light frame.

### **Important:**

When you press the fast-freeze switch, there may be a short delay before the compressor starts to operate. This is normal and not a compressor fault.

## Storing frozen food

Your freezer is suitable for the long-term storage of commercially frozen foods and also can be used to freeze and store fresh food.

For storing home-frozen fresh food refer to the storage-life guide on the door-liner.

If there is a power failure, do not open the door. Frozen food should not be affected if the failure lasts for less than 16 hrs. If the failure is longer, then the food should be checked and either eaten immediately or cooked and then re-frozen

## Freezing fresh food

Please observe the following instructions to obtain the best results.

Do not freeze too large a quantity at any one time. The quality of the food is best preserved when it is frozen right through to the centre as quickly as possible.

Do not exceed the freezing capacity of your appliance in 24 h.

Placing warm food into the freezer compartment causes the refrigeration machine to operate continuously until the food is frozen solid.

## Fast freeze

If you are going to freeze fresh food in excess of 2 kg. (4.5 lb), turn on the fast-freeze switch and wait about three hours before placing the fresh food in the fast-freeze compartment. Remember to turn off the fast-freeze switch.

Leave the fast freeze switch on for about 24 hours if the maximum quantity is being frozen.

**Take special care not to mix already frozen food and fresh food.**

## **Frozen food symbols and freezer calendar**

*Food symbols are illustrated on the freezer door-liner.*

*The figures next to food symbols represent the safe storage-life, in months.*

*Observe the "best before" dates indicated on the package for ready-frozen food.*

## **Making ice cubes**

**(Fig 3)**

*Fill the ice - cube tray 3/4 full with water and place it in the freezer. Loosen frozen trays with a spoon handle or a similar implement; never use sharp-edged objects such as knives or forks.*

## **Getting to know your appliance**

**(Fig. 1)**

- 1.** Fast-Freeze switch
- 2.** Indicator lights
- 3.** Thermostat knob
- 4.** Ice bank
- 5.** Fast-freeze compartment
- 6.** Frozen-food compartment
- 7.** Air grille

## Defrosting

(Fig. 4, 5, 6)

Defrosting is very straightforward and without mess thanks to a special defrost water collection facility at the bottom of the freezer.

Defrost twice a year or when a frost layer of around 7 mm (1/4") has formed. To start the defrosting procedure, switch off the freezer at the socket outlet and pull out the mains plug. All food should be wrapped in several layers of newspaper and stored in a cool place (e.g. fridge or larder).

Remove all freezer drawers. The special defrost collection basin collects the defrost water. Containers of warm water may be placed carefully in the freezer to speed up the defrosting.

**Do not use pointed or sharp-edged objects such as knives or forks to remove the frost.**

**Never use hairdryers, electrical heaters or other such electrical appliances for defrosting.**

When defrosting has finished, close the defrosting part and dry the interior thoroughly. Press the fast-freeze switch, and leave it on for about three hours.

## Cleaning and care

1. We recommend that you switch off the appliance at the socket outlet and pull out the mains plug before cleaning.
2. Never use any sharp instruments or abrasive substances, soap, household cleaner, detergent or wax polish for cleaning.
3. Use luke warm water to clean the cabinet of the appliance and wipe it dry.
4. Use a damp cloth wrung out in a solution of one teaspoon of bicarbonate of soda to one pint of water to clean the interior and wipe it dry.
5. Make sure that no water enters the temperature control box.
6. If the appliance is not going to be used for a long period of time, switch it off, remove all food, clean it and leave the door ajar.
7. We recommend that you polish the metal parts of the product (i.e. door exterior, cabinet sides) with a silicone wax (car polish) to protect the high quality paint finish.
8. Any dust that gathers on the condenser, which is located at the back of the appliance, should be removed once a year with a vacuum cleaner.
9. Check door seals regularly to ensure they are clean and free from food particles.
10. Never:
  - Clean the appliance with unsuitable material; eg petroleum based products.
  - Subject it to high temperatures in any way,
  - Scour, rub etc., with abrasive material.
11. Removal of dairy cover and door tray :
  - To remove the dairy cover, first lift the cover

up by about an inch and pull it off from the side where there is an opening on the cover.

- To remove a door tray, remove all the contents and then simply push the door tray upwards from the base.

**12.** Make sure that the special plastic container at the back of the appliance which collects defrost water is clean at all times. If you want to remove the tray to clean it, follow the instructions below:

- Switch off at the socket outlet and pull out the mains plug
- Gently uncrimp the stud on the compressor, using a pair of pliers, so that the tray can be removed
- Lift it up.
- Clean and wipe it dry
- Reassemble, reversing the sequence and operations

**13.** Excess deposit of ice should be removed regularly with the plastic scraper provided. Large accumulation of ice will impair the performance of the freezer.

**14.** To remove a drawer, pull it as far as possible, tilt it upwards and then pull it out completely.

**15.** Scrape off ice build-up at the top edge of the frozen food compartment (Ice box) once a week, using the special ice scraper supplied with the appliance (See Defrosting).

## Repositioning the door

Proceed in numerical order (**Fig. 7**).

## Do's and don'ts

- Do-** Check contents of the freezer at regular intervals.
- Do-** Clean and defrost your freezer regularly (See "Defrosting")
- Do-** Keep food for as short a time as possible and adhere to "Best Before" and "Use By" dates.
- Do-** Store commercially frozen food in accordance with the instructions given on the packets.
- Do-** Always choose high quality fresh food and be sure it is thoroughly clean before you freeze it.
- Do-** Prepare fresh food for freezing in small portions to ensure rapid freezing.
- Do-** Wrap all foods in aluminium foil or freezer quality polythene bags and make sure any air is excluded.
- Do-** Wrap frozen food immediately after purchasing and put it in to the freezer as soon as possible.
- Do-** Separate food in the compartments and complete the contents card. This will enable you to find food quickly and avoid excessive door opening, which will save electricity.
- Don't-** Leave the door open for long periods, as this will make the freezer more costly to run and cause excessive ice formation.

- Don't-** Use sharp-edged objects such as knives or forks to remove the ice. Put hot food into the freezer. Let it cool down first.
- Don't-** Put liquid-filled bottles or sealed cans containing carbonated liquids into the freezer, as they may burst.
- Don't-** Store poisonous or dangerous substances in the freezer. Your freezer has been designed for the storage of edible foodstuffs only.
- Don't-** Exceed the maximum freezing capacity when freezing fresh food.
- Don't-** Consume ice-cream and water ices direct from the freezer. The low temperature may cause 'freezer burns' on lips.
- Don't-** Freeze fizzy drinks.
- Don't-** Try to keep frozen food which has thawed; it should be eaten within 24 hours or cooked and refrozen.
- Don't-** Remove items from the freezer with wet hands.
- Don't-** Close the door before replacing the fast-freeze compartment cover.

## **Trouble - shooting**

If the appliance does not operate when switched on, check;

- That the plug is inserted properly in the socket and that the power supply is on. (To check the power supply to the socket, plug in another appliance)
  - Whether the fuse has blown/circuit breaker has tripped/main distribution switch has been turned off.
  - That the temperature control has been set correctly.
  - That the new plug is wired correctly, if you have changed the fitted, moulded plug.
- If the appliance is still not operating at all after above checks, contact the dealer from whom you purchased the unit.

Please ensure that above checks have been done, as a charge will be made if no fault is found.

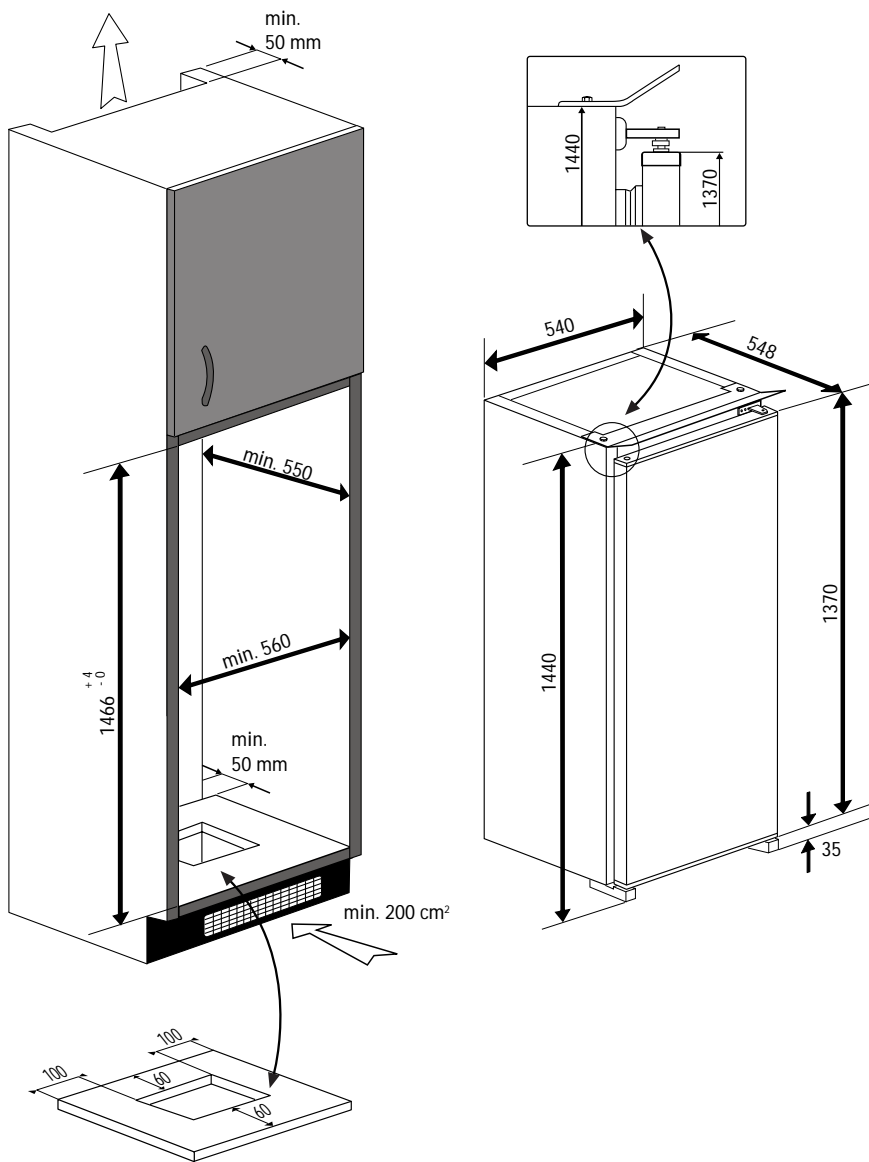
- Don't-** Leave the door open for long periods as this will make the larder refrigerator more costly to run.
- Don't-** Cover the shelves with any protective materials which may obstruct air circulation.
- Don't-** Store poisonous or any dangerous substances in the larder refrigerator. Your larder refrigerator has been designed for the storage of edible foodstuffs only.
- Don't-** Consume food which has been refrigerated for an excessive length of time.
- Don't-** Store cooked and fresh food together in the same container. They should be packaged and stored separately.
- Don't-** Let defrosting food or food juices drip onto food in your larder refrigerator.

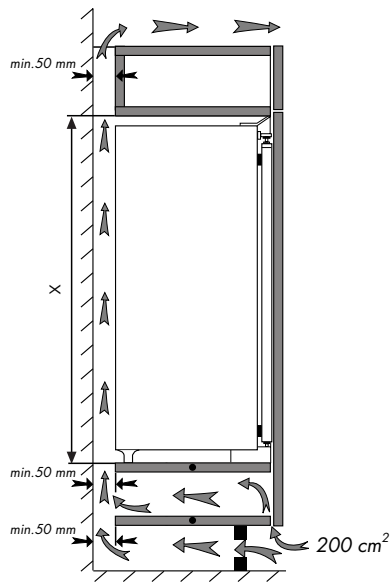
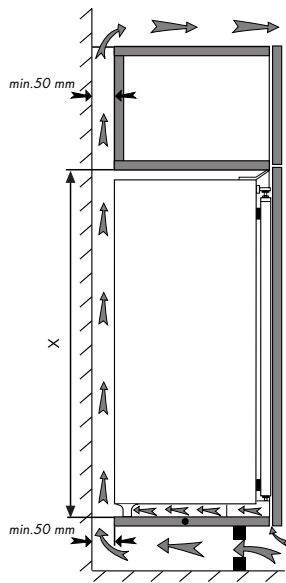
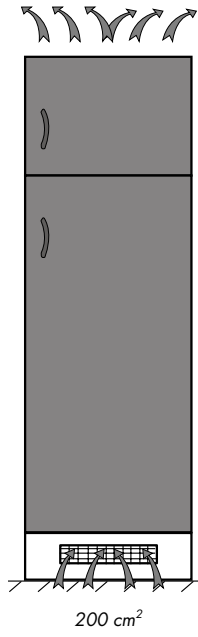
## **Trouble - shooting**

If the appliance does not operate when switched on, check;

- That the plug is inserted properly in the socket and that the power supply is on. (To check the power supply to the socket, plug in another appliance)
  - Whether the fuse has blown/circuit breaker has tripped/main distribution switch has been turned off.
  - That the temperature control has been set correctly.
  - That the new plug is wired correctly, if you have changed the fitted, moulded plug.
- If the appliance is still not operating at all after above checks, contact the dealer from whom you purchased the unit.

Please ensure that above checks have been done, as a charge will be made if no fault is found.





$$\begin{array}{r} X \\ 876 \text{ } ^{+4} \text{ } _{-0} \\ 1466 \text{ } ^{+4} \text{ } _{-0} \end{array}$$



