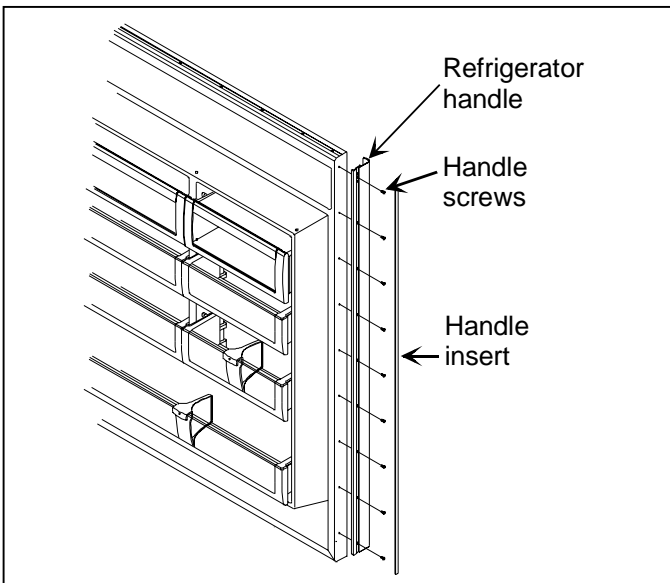
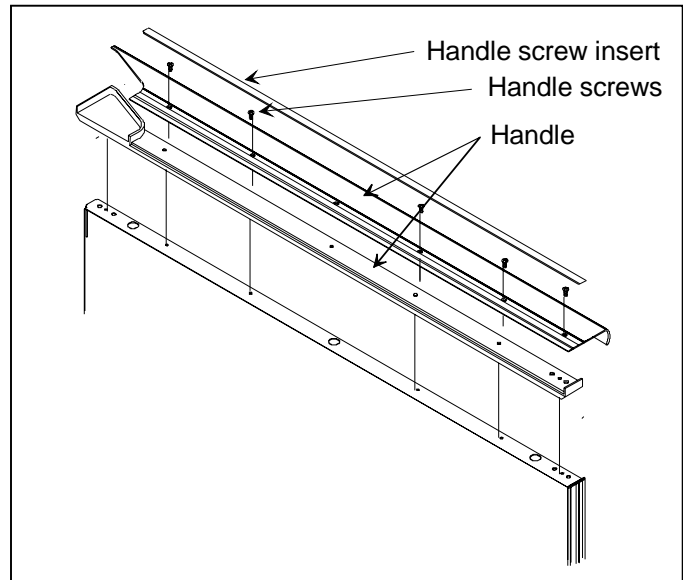


Procedure

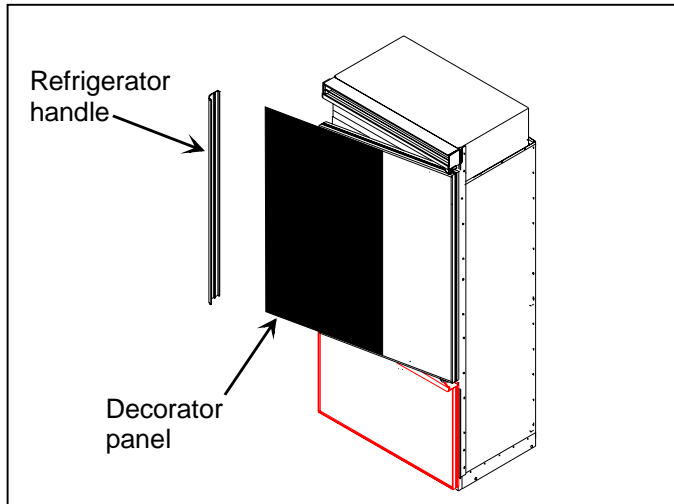
1. Slide out refrigerator handle screw insert and remove handle by removing screws with a Phillips screwdriver.



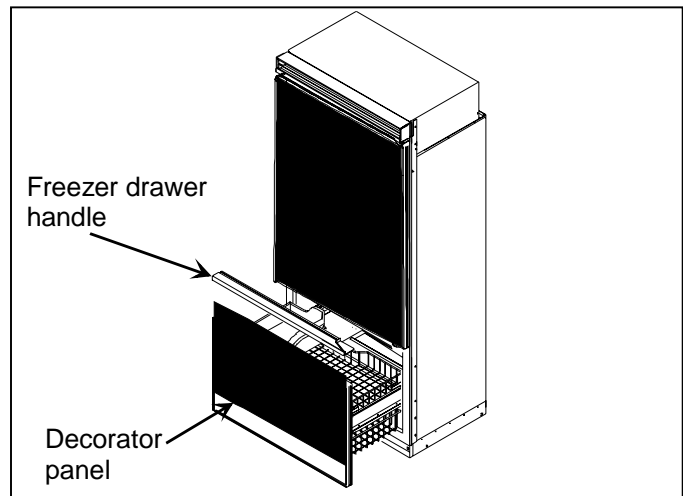
4. Slide out handle screw insert from top of freezer drawer. Remove freezer drawer handle screws. Remove handle. Handle is in two pieces, reassemble if handle pieces come apart.



2. Align panel in groove between top and bottom trim and push evenly. Start at one end and work across door. If panel binds loosen top door trim. Adjust panel and retighten.



5. Align panel in groove between left and right freezer drawer trim. Push evenly. If panel binds loosen Freezer drawer side trim. Adjust panel and retighten.



IMPORTANT:

Do not remove corrugate from back of panels. Panels will not fit properly if corrugate is removed.

- For ease of installation, two people are required to lift and guide panel into trim. Install one panel at a time.
 - For smoother installation apply bar soap on door trim and panel.
3. Reinstall handle with screws removed in step 1. Install handle screw insert by starting at one end and working upward along the full length of handle.

IMPORTANT:

Do not remove corrugate from back of panels. Panels will not fit properly if corrugate is removed.

- For smoother installation apply bar soap on door trim and panel.
6. Reinstall handle by replacing screws removed in step 4. Install handle screw insert by starting at one end and working across the full length of the handle.
 7. Peel off protective film from the front of decorator panels.