

Grizzly **Industrial, Inc.**®

AIR COMPRESSOR

MODELS G0464, G0465, G0467, G0468, G0470

INSTRUCTION MANUAL



COPYRIGHT © JULY, 2005 BY GRIZZLY INDUSTRIAL, INC.
**WARNING: NO PORTION OF THIS MANUAL MAY BE REPRODUCED IN ANY SHAPE
OR FORM WITHOUT THE WRITTEN APPROVAL OF GRIZZLY INDUSTRIAL, INC.**
#EW7339 PRINTED IN CHINA



WARNING!

Some dust created by power sanding, sawing, grinding, drilling, and other construction activities contains chemicals known to the State of California to cause cancer, birth defects or other reproductive harm. Some examples of these chemical are:

- **Lead from lead-based paints.**
- **Crystalline silica from bricks, cement and other masonry products.**
- **Arsenic and chromium from chemically-treated lumber.**

Your risk from these exposures varies, depending on how often you do this type of work. To reduce your exposure to these chemicals: Work in a well ventilated area, and work with approved safety equipment, such as those dust masks that are specially designed to filter out microscopic particles.

Table of Contents

INTRODUCTION	2
Foreword.....	2
Contact Info.....	2
Machine Data Sheet.....	3
SECTION 1: SAFETY	4
Safety Instructions for Pneumatic Tools.....	4
Additional Safety Instructions for Air Compressors.....	6
SECTION 2: CIRCUIT REQUIREMENTS	7
110V Operation.....	7
SECTION 3: SET UP	9
Unpacking.....	9
Assembly.....	9
Placement.....	10
SECTION 4: OPERATIONS	11
Operation Safety.....	11
Starting.....	11
Line Pressure Regulation.....	12
Connecting Tools.....	13
Storage.....	14
SECTION 5: MAINTENANCE	15
Schedule.....	15
Draining Tank.....	16
Pressure Safety Valve.....	16
SECTION 6: SERVICE	17
Troubleshooting.....	17
Changing Oil.....	19
Check Valve.....	19
Fixing Air Leaks.....	20
Pressure Switch.....	21
Parts Breakdown.....	22
Parts List.....	23
WARRANTY AND RETURNS	24

INTRODUCTION

Foreword

We are proud to offer this series of Grizzly Air Compressors. These models are part of a growing Grizzly family of fine power tools. When used according to the guidelines set forth in this manual, you can expect years of trouble-free, enjoyable operation and proof of Grizzly's commitment to customer satisfaction.

It is our pleasure to provide this manual with your air compressor. It was written to encourage safety considerations and guide you through general operating procedures and maintenance.

The specifications, details, and photographs in this manual represent these air compressors as supplied when the manual was prepared. However, owing to Grizzly's policy of continuous improvement, changes may be made at any time with no obligation on the part of Grizzly.


Contact Info

If you have any comments regarding this manual, please write to us at the following address:

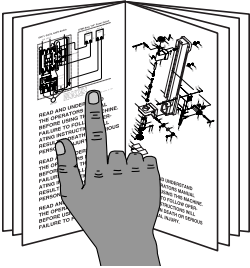
Grizzly Industrial, Inc.
C/O Technical Documentation
P.O. Box 2069
Bellingham, WA 98227-2069

Most importantly, we stand behind our tools. If you have any service questions or parts requests, please call or write us at the location listed below.

Grizzly Industrial, Inc.
1203 Lycoming Mall Circle
Muncy, PA 17756
Phone: (570) 546-9663
Fax: (800) 438-5901
E-Mail: techsupport@grizzly.com
Web Site: <http://www.grizzly.com>



WARNING



Read the manual before operation. Become familiar with this air compressor, its safety instructions, and its operation before beginning any work. Serious personal injury may result if safety or operational information is not understood or followed.



MACHINE DATA SHEET

Customer Service #: (570) 546-9663 • To Order Call: (800) 523-4777 • Fax #: (800) 438-5901

AIR COMPRESSOR MODELS G0464, G0465, G0467, G0468, G0470

MODEL	G0464	G0465	G0467	G0468	G0470
HORSEPOWER	1½	1½	2½	1½	2
AMPERAGE	8A	8A	14.5A	8A	14A
TANK VOLUME	1.59 gal.	3.17 gal.	6.34 gal.	1.59 gal.	4.23 gal.
MAXIMUM PSI	125	125	125	115	125
CFM @40 PSI	3.1	3.1	4.9	2.9	4.5
CFM @90 PSI	2.2	2.2	4	2.1	3.6
SHIPPING WEIGHT	39.7 lbs.	44.1 lbs.	62.8 lbs.	36.4 lbs.	60.6 lbs.
MACHINE WEIGHT	35.3 lbs.	40.1 lbs.	58.4 lbs.	34.2 lbs.	56.2 lbs.

SECTION 1: SAFETY

WARNING

For Your Own Safety Read Instruction Manual Before Operating This Equipment

The purpose of safety symbols is to attract your attention to possible hazardous conditions. This manual uses a series of symbols and signal words which are intended to convey the level of importance of the safety messages. The progression of symbols is described below. Remember that safety messages by themselves do not eliminate danger and are not a substitute for proper accident prevention measures.

DANGER

Indicates an imminently hazardous situation which, if not avoided, WILL result in death or serious injury.

WARNING

Indicates a potentially hazardous situation which, if not avoided, COULD result in death or serious injury.

CAUTION

Indicates a potentially hazardous situation which, if not avoided, MAY result in minor or moderate injury. It may also be used to alert against unsafe practices.

NOTICE

This symbol is used to alert the user to useful information about proper operation of the equipment.

WARNING

Safety Instructions for Pneumatic Tools

- 1. READ THROUGH THE ENTIRE MANUAL BEFORE STARTING MACHINERY.** Machinery presents serious injury hazards to untrained users.
- 2. ALWAYS USE ANSI APPROVED SAFETY GLASSES WHEN OPERATING MACHINERY.** Everyday eyeglasses only have impact resistant lenses, they are NOT safety glasses.
- 3. ALWAYS WEAR AN ANSI APPROVED RESPIRATOR WHEN OPERATING MACHINERY THAT PRODUCES DUST.** Wood dust is a carcinogen and can cause cancer and severe respiratory illnesses.
- 4. ALWAYS USE HEARING PROTECTION WHEN OPERATING MACHINERY.** Machinery noise can cause permanent hearing damage.
- 5. WEAR PROPER APPAREL.** DO NOT wear loose clothing, gloves, neckties, rings, or jewelry which may get caught in moving parts. Wear protective hair covering to contain long hair and wear non-slip footwear.
- 6. NEVER OPERATE MACHINERY WHEN TIRED, OR UNDER THE INFLUENCE OF DRUGS OR ALCOHOL.** Be mentally alert at all times when running machinery.

7. **KEEP CHILDREN AND VISITORS AWAY.** Keep all children and visitors a safe distance from the work area.
8. **MAKE WORKSHOP CHILD PROOF.** Use padlocks, master switches, and remove start switch keys. Shut off air supply before leaving shop.
9. **NEVER LEAVE UNATTENDED TOOL CONNECTED TO AIR.** DO NOT leave before relieving the tool of air pressure and disconnecting it from the air hose.
10. **DO NOT USE IN DANGEROUS ENVIRONMENTS.** DO NOT use in damp, wet locations, or where flammable or noxious fumes may exist.
11. **KEEP WORK AREA CLEAN AND WELL LIT.** Clutter and dark shadows may cause accidents.
12. **USE A GROUNDED EXTENSION CORD RATED FOR THE MACHINE AMPERAGE.** Undersized cords overheat and lose power. Replace extension cords if they become damaged. DO NOT use extension cords for 220V machinery.
13. **ONLY ALLOW TRAINED AND PROPERLY SUPERVISED PERSONNEL TO OPERATE MACHINERY.** Make sure operation instructions are safe and understood.
14. **MAKE SURE GUARDS ARE IN PLACE AND WORK CORRECTLY BEFORE USING MACHINERY.**
15. **CHECK FOR DAMAGED PARTS BEFORE USING MACHINERY.** Check for binding and alignment of parts, broken parts, part mounting, loose bolts, and any other conditions that may affect machine operation. Repair or replace damaged parts.
16. **REMOVE ADJUSTING KEYS AND WRENCHES.** Make a habit of checking for keys and adjusting wrenches before turning machinery **ON**.
17. **REDUCE THE RISK OF UNINTENTIONAL FIRING.** DO NOT carry tool with hand on trigger and disconnect from air when not in use.
18. **USE PROPER AIR HOSE** for the tool. Make sure your air hose is in good condition and is long enough to reach your work without stretching.
19. **DO NOT FORCE MACHINERY.** Work at the speed for which the machine or accessory was designed.
20. **DO NOT OVERREACH.** Keep proper footing and balance at all times.
21. **SECURE WORKPIECE.** Use clamps or a vise to hold the workpiece when practical. A secured workpiece protects your hands and frees both hands to operate the tool.
22. **USE SUGGESTED ACCESSORIES.** Refer to the instruction manual for recommended accessories. The use of improper accessories may cause risk of injury.
23. **MAINTAIN MACHINERY WITH CARE.** Keep tools lubricated and clean for best and safest performance. Follow instructions for lubricating and changing accessories.
24. **ALWAYS DISCONNECT FROM POWER SOURCE BEFORE SERVICING MACHINERY.** Make sure switch is in OFF position before reconnecting.
25. **DISCONNECT PNEUMATIC TOOLS FROM COMPRESSOR.** Always disconnect tools before servicing or changing accessories.
26. **BE AWARE THAT CERTAIN WOODS MAY CAUSE ALLERGIC REACTIONS IN PEOPLE AND ANIMALS, ESPECIALLY WHEN EXPOSED TO FINE DUST.** Make sure you know what type of wood dust you will be exposed to and always wear an approved respirator.

WARNING

Additional Safety Instructions for Air Compressors

- 1. AIR NOZZLE.** Never aim an air nozzle directly at yourself or others. Compressed air can break the skin, or enter the bloodstream through soft tissue or a cut, and cause a stroke or death.
- 2. AIR COMPRESSOR STORAGE.** DO NOT store the compressor while plugged into power. If a leak develops, the compressor may run continuously, causing overheating and possibly a fire.
- 3. UNATTENDED TOOLS.** DO NOT leave before relieving the tool of air pressure and disconnecting it from the air hose.
- 4. AVOID BURNS.** DO NOT touch the motor or the air supply pipe, they will become hot during operation.
- 5. AIR HOSE.** Make sure your air hose has a PSI rating exceeding the maximum PSI of your compressor, is in good condition, and is long enough to reach your work without stretching. Make sure the air lines and power cord do not come in contact with sharp or abrasive objects.
- 6. COMPRESSED AIR USE.** Do not use the compressor for filling breathing or diving tanks. Compressed air from this compressor cannot be used for pharmaceutical, food or health applications.
- 7. PLASTIC (PVC) PIPE.** DO NOT use plastic pipe for high pressure air lines. It could shatter, resulting in serious injury.
- 8. TANK CORROSION.** Drain the tank after each use to prevent corrosion and possible tank rupture. Inspect the tank for unsafe conditions such as rust, pin holes and cracks. NEVER weld or drill holes in an air tank.
- 9. SAFETY VALVE OR PRESSURE SWITCHES.** NEVER adjust safety valve or pressure switch to allow the compressor to build higher PSI than rated. Keep safety valve free from paint and other accumulations to provide safety against over-pressure.
- 10. CHECK OIL LEVEL.** Use the sight gauge on the bottom of the crankcase to make sure the oil level is at the proper height.

WARNING

There is danger associated with the use of air compressors. Accidents are frequently caused by lack of familiarity or failure to pay attention. Use this air compressor with respect and caution to lessen the possibility of operator injury. If normal safety precautions are overlooked or ignored, serious personal injury may occur.

CAUTION

No list of safety guidelines can be complete. Every environment is different. Always consider safety first, as it applies to your individual working conditions. Use this and other machinery with caution and respect. Failure to do so could result in serious personal injury, damage to equipment or poor work results.

SECTION 2: CIRCUIT REQUIREMENTS

110V Operation

⚠ WARNING

Serious personal injury could occur if you connect the machine to the power source before you have completed the set up process. **DO NOT** connect the machine to the power source until instructed to do so.

Amperage Draw

The motors on the air compressors will draw the following amps:

G0464 Motor Draw	8 Amps
G0465 Motor Draw	8 Amps
G0467 Motor Draw	14.5 Amps
G0468 Motor Draw	8 Amps
G0470 Motor Draw.....	14 Amps

Circuit Requirements

Only connect your machine to a circuit that meets the requirements below. Always check to see if the wires and circuit breaker in your circuit are capable of handling the amperage draw from your machine, as well as any other machines that could be operating on the same circuit. If you are unsure, consult a qualified electrician.

Model G0464, G0465, G0468 Minimum Circuit Requirement..... 15 Amp

Model G0467, G0470 Minimum Circuit Requirement..... 20 Amp

Plug/Receptacle Type

Plug TypeNEMA 5-15 (Figure 1)

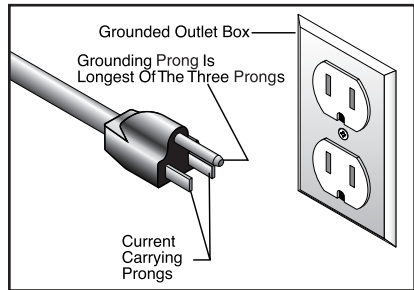
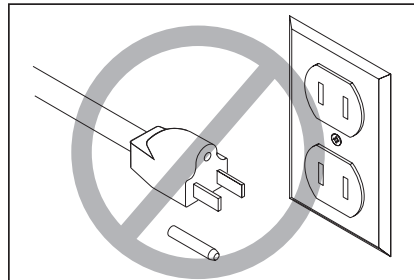


Figure 1. Typical type 5-15 plug and receptacle.

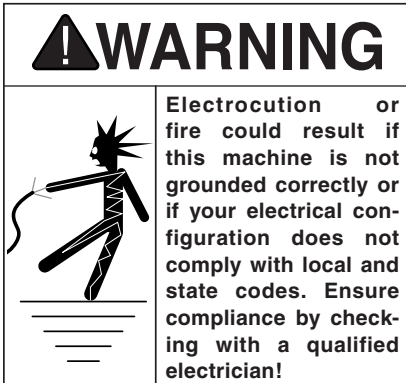


⚠ CAUTION

This machine must have a ground prong in the plug to help ensure that it is grounded. **DO NOT** remove ground prong from plug to fit into a two-pronged outlet! If the plug will not fit the outlet, have the proper outlet installed by a qualified electrician.

Grounding

In the event of an electrical short, grounding reduces the risk of electric shock. The grounding wire in the power cord must be properly connected to the grounding prong on the plug; likewise, the outlet must be properly installed and grounded. All electrical connections must be made in accordance with local codes and ordinances.



Extension Cords

The use of extension cords can cause power loss and overheating in air compressors. When possible, locate the air compressor where it can be plugged into an outlet without the use of an extension cord, and use an additional air hose to reach the work area.

If you find it necessary to use an extension cord with your machine:

- Make sure the cord is rated Standard Service (grade S) or better.
- The extension cord must contain a ground wire and plug pin.
- Use at least a 14 gauge cord. Use a 12 gauge cord if the cord is between 25-100 feet.
- DO NOT use extension cords over 100 feet.

SECTION 3: SET UP

Unpacking

Your air compressor left our warehouse in a carefully packed crate or box. If you discover the air compressor is damaged after you have signed for delivery, *please immediately call Customer Service at (570) 546-9663 for advice.*

Save the container and packing materials for possible inspection by the carrier or its agent. Otherwise, filing a freight claim can be difficult.

Assembly

To assemble the air compressor:

1. Remove all packing materials and any protective plastic bags, zip tie labels or tags from the compressor.
2. Be sure the air filter is attached to the cylinder head as shown in **Figure 2**.

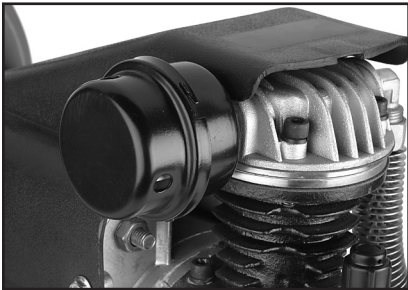


Figure 2. Air filter attached to cylinder head.

NOTICE

This machine should never be run without a full oil reservoir. The oil provides lubrication to the cylinder rings, which deliver the compressed air. Severe damage to the internal moving parts can occur if there is not adequate oil flow. Check the oil level frequently, and change the oil every 3 months.

3. Add compressor oil, or ISO 100/SAE 30W non-detergent oil, to the crankcase. Remove the oil breather (inset in **Figure 3**) on top of the crankcase and add oil into the hole. The oil level should be in the center of the sight glass as shown in **Figure 3** (This step does not apply to the Model G0468).

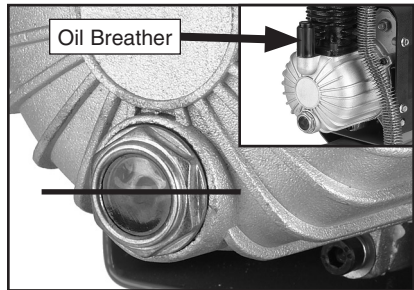


Figure 3. Proper oil level.

Placement

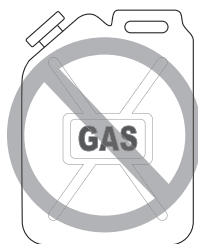
When determining where to set up the air compressor in the shop or when taking the air compressor to a job site, an important consideration is access to an adequate and properly fused power supply. Refer to **SECTION 2: CIRCUIT REQUIREMENTS** for the needs of your particular compressor.

Place the compressor on a solid and level surface. Make sure that the hoses attached to your pneumatic device are unrestricted in movement and not subject to being run over by vehicles or punctured by sharp objects.

Since air compressors are often used for a sustained period of time, sometimes in restricted areas, wear ear protection to avoid long term exposure to the noise.

Make sure the compressor is operating in an environment where there are no explosive, flammable, or caustic fumes or gases. A clear and well ventilated area is best for its safe operation.

WARNING



Do not place the compressor next to flammable liquids or gas! The compressor motor and air supply pipe can reach high temperatures and cause the flammable gas to ignite. Keep work area clear from flammable gas when using the compressor.

WARNING



Do not place the compressor in a paint spraying or gluing booth. The electric motor on the compressor could cause the fumes to explode.

SECTION 4: OPERATIONS

Operation Safety

! CAUTION



Long term exposure to this machine may cause hearing loss. To protect your hearing, always wear ANSI approved ear protection when operating this air compressor.

! WARNING



Operating this equipment has the potential for flying debris to cause eye injury. Always wear safety glasses or goggles when operating equipment. Everyday glasses or reading glasses only have impact resistant lenses, they are not safety glasses. Be certain the safety glasses you wear meet the appropriate standards of the American National Standards Institute (ANSI).

Starting

To start the air compressor:

1. Place the compressor on a solid, level surface with access to a properly fused power supply. DO NOT operate the compressor in an environment where there are explosive, flammable, or caustic fumes or gases.
2. Make sure the compressor switch is in the OFF position (lever with red cap shown in **Figure 4**) before connecting to the power supply.

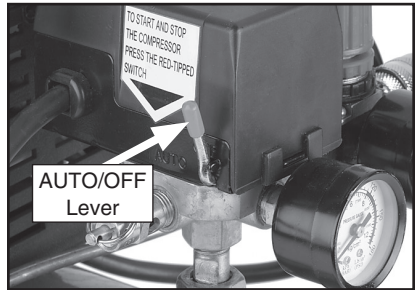


Figure 4. AUTO/OFF lever.

3. Double check the oil level to make sure the oil reservoir is full (This step does not apply to the Model G0468).
4. Connect the compressor to the power supply.
5. Leave the drain valve open, flip the switch to the AUTO position and allow the compressor to run for 5 minutes before completing **Step 6**.

Note: Whenever the compressor has not been run for more than a few days, allow it to run with the drain valve open for 5 minutes to fully lubricate the motor.

6. Close the drain valve (Figure 5) to allow the tank to build up pressure.

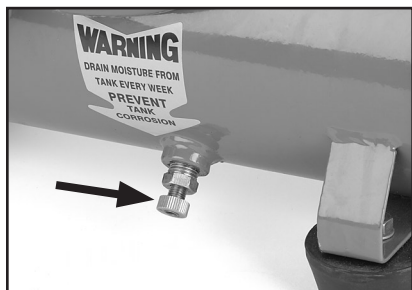


Figure 5. Drain valve.

7. Check the tank pressure gauge (Figure 6) to see that the tank pressure climbs to approximately 115-120 PSI (around 8 BAR), then automatically turns **OFF**.

Note: If the compressor does not automatically turn **OFF** at 120 PSI (115 PSI for the Model G0468), flip the **ON/OFF** switch to **OFF** before the pressure reaches the maximum PSI shown on **Page 3**. See **Pressure Switch** on **Page 21** to adjust the automatic shut-off.

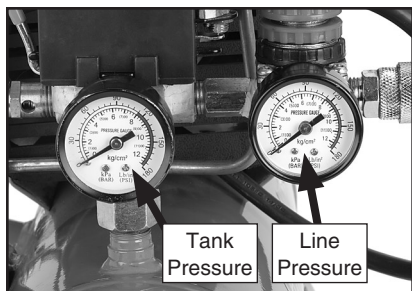


Figure 6. Pressure gauges.

Line Pressure Regulation

The tank pressure is displayed on the left pressure gauge, and the air to be delivered to the tool (line pressure) is displayed on the right pressure gauge, shown in **Figure 6**.

The air tool that you attach to the air compressor should have a preferred PSI operating level. Set the pressure to be delivered to the tool according to the required level of the tool.

To control the air supply to your tool:

1. Adjust the air control knob, shown in **Figure 7**, to set the PSI that will be delivered to your tool. Turn the knob clockwise to increase the pressure or counterclockwise to decrease the pressure.

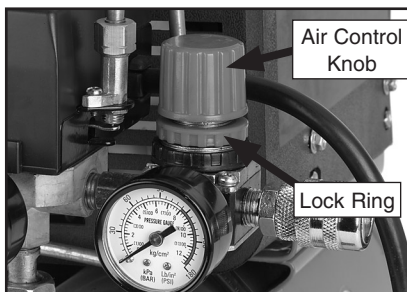


Figure 7. Tool air control knob.

2. Rotate the lock ring shown in **Figure 7** against the bottom of the air control knob to prevent changes in the air pressure.

Connecting Tools

When choosing air tools, consider the amount of air used (cubic feet per minute or CFM) by the tool. Nailers and staple guns have a low CFM requirement because they use air in short bursts. A paint sprayer or a pneumatic grinder uses a more continuous stream of air requiring a high CFM. Make sure the air tool you plan to connect does not exceed the CFM output of your compressor. Most air tools will have an air requirement stated in terms of a specific CFM at a specific pressure.

Air tools being operated with insufficient air volume will not perform their function satisfactorily and they will cause the air compressor to run continually. When an air compressor runs continually it may overheat, causing damage to the compressor and the possibility of a fire. This compressor is fitted with thermal protection inside the motor. If the compressor overheats, the motor will automatically turn **OFF** until it cools down.

To connect air tools to your air compressor:

1. Follow the compressor **Starting** instructions on **Page 11**.
2. Connect the tool to a good quality air hose that is long enough to reach from the point of use to the compressor.

Note: *Be aware of the placement of the hose to prevent damage. Make certain the air hose is not located where it can become constricted, cut by a sharp object, or run over. Running over a hose with a vehicle may not cause an immediate leak, but it will shorten the life of the hose.*

3. Connect an air line with a 1/4" NPT plug to the quick-connect coupler on the air compressor shown in **Figure 8**.

Note: *There are many styles of 1/4" NPT quick connect couplers. If the quick connect coupler included with the compressor does not fit the plug on your air hose, purchase a matched set at your local hardware store.*



Figure 8. Quick connect coupler.

!WARNING

These air compressors are specifically designed for air tool operation. DO NOT modify, or use this machine for any other purpose. Modifications or improper use of this tool will void the warranty. If you are confused about any aspect of this machine, DO NOT use it until your questions have been answered. Serious personal injury may occur.

Storage

When storing your air compressor, follow these guidelines:

1. Turn the compressor switch lever to OFF.
2. Unplug the compressor.
3. Turn the regulator counterclockwise to set the line pressure to zero.
4. Run the air tool to relieve the air pressure in the hose, then remove the air hose and the tool.
5. Drain water from the tank as instructed in **Draining Tank** on **Page 16**. Leave the valve open until the next usage.

Note: *Draining the air from the tank can be extremely loud. Wear ear protection when draining the tank.*

6. Store the air compressor in its normal operating position in a cool protected area.

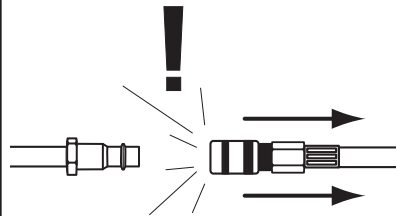
CAUTION

Failure to unplug the air compressor before storage may result in the compressor running continuously, causing overheating, damage to the compressor, and possibly a fire.

WARNING

Water will condense in the air compressor tank. Water left in the tank can cause the tank to weaken and corrode, increasing the risk of tank rupture.

WARNING

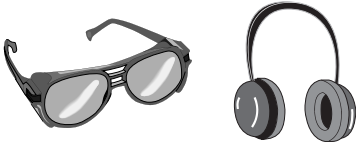


Always disconnect the air hose from tools whenever not in use or while servicing! During maintenance, a tool connected to air may operate accidentally, causing serious personal injury!

SECTION 5: MAINTENANCE

Schedule

WARNING



Operating this equipment has the potential to cause eye injury and hearing loss. Always wear eye and ear protection when operating an air compressor. Be certain the safety protection you wear meet the appropriate standards of the American National Standards Institute (ANSI).

For optimum performance from your machine, follow this maintenance schedule and refer to any specific instructions given in this section.

Daily

1. Check the oil level! Use the sight glass on the crankcase to make sure the oil reservoir is at the correct level.
2. Check for worn or damaged cords and plugs.
3. Check for any other condition that could hamper the safe operation of this machine.
4. When finished using the air compressor, drain the condensation from the tank as instructed in **Draining Tank** on **Page 16**, and leave the drain valve open until the next use.

If the compressor is used on a daily basis, perform the following checks each week.

Weekly

1. Blow dirt and dust off of the air filter (Figure 9), then re-install.



Figure 9. Air filter foam element.

2. Check for loose bolts or fittings.
3. Clean off all dirt and dust from the cylinder head, motor, fan, air lines, exhaust pipe, couplers and frame. Dirt can lead to overheating.
4. Check air lines and connectors to make sure they are in good condition.
5. Pull the safety drain valve to make sure it is working properly (see **Draining Tank** on **Page 16**).

Continued on next page →

WARNING

The air compressor will turn **ON** automatically when it is set on **AUTO**. When performing maintenance make sure the **AUTO/OFF** lever is in the **OFF** position, the compressor is unplugged, and the air pressure has been bled out of the tank.

Monthly

After the first 50 working hours or 30 days, perform the following maintenance:

1. Change the oil in the air compressor pump as described in **Changing Oil** on **Page 19**.

Quarterly

After every 300 working hours or 3 months, perform the following maintenance:

1. Change the oil in the air compressor pump as described in **Changing Oil** on **Page 19**.
2. Check for air leaks and correct as needed.

Draining Tank

Some water may accumulate in the tank depending on usage and humidity. Drain water from the tank daily to increase the lifespan of the compressor and air tools.

To drain the tank:

1. Leave the tank pressurized and open the drain valve, shown in **Figure 10**, to drain the water out of the tank.

Note: *Draining the air from the tank can be extremely loud. Wear ear protection when draining the tank.*



Figure 10. Tank drain valve.

Pressure Safety Valve

The pressure safety valve prevents damage to the tank by releasing pressure when the tank reaches maximum capacity.

To check the pressure safety valve:

1. Locate the pressure safety valve shown in **Figure 11**.

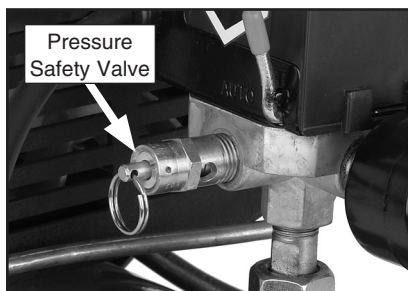


Figure 11. Pressure safety valve.

CAUTION

Releasing the safety valve can be extremely loud. Protect your hearing with ANSI approved ear protection.

2. Clean any dirt or dust from the pressure safety valve.
3. Pull the metal ring on top of the safety valve to ensure the valve will release air. The pressure safety valve must be replaced if it cannot be pulled, or if it leaks after releasing pressure.

Note: *The safety valve is preset to release air if the tank exceeds its maximum pressure. DO NOT try to adjust the safety valve pressure setting!*

SECTION 6: SERVICE

This section is provided for your convenience—it is not a substitute for the Grizzly Service Department. If you need help troubleshooting, replacing parts, or you are unsure of how to perform the procedures in this section, then feel free to call our Technical Support at (570) 546-9663.

Troubleshooting

Symptom	Possible Cause	Possible Solution
Motor will not start.	<ol style="list-style-type: none">1. Tank already pressurized.2. Thermal overload switch has tripped.3. Low voltage.4. Short circuit in motor or cord, or loose connections.5. Incorrect fuses or circuit breakers in power line.6. Pressure switch is bad.	<ol style="list-style-type: none">1. Motor will not start if tank is fully pressurized.2. Wait for motor to cool.3. Check power line for proper voltage.4. Inspect all connections on motor for loose or shorted terminals or worn insulation.5. Install correct fuses or circuit breakers.6. Replace the pressure switch.
Motor fails to develop full power (output of motor decreases rapidly with decrease in voltage at motor terminals).	<ol style="list-style-type: none">1. Power line overloaded with lights, appliances, and other motors.2. Undersized wires or circuits too long.	<ol style="list-style-type: none">1. Reduce load on power line.2. Increase wire sizes or reduce length of the circuit.
Motor overheats and thermal overload turns motor OFF .	<ol style="list-style-type: none">1. Cooling fins dirty.2. Air filter clogged.3. Compressor is running too long without a break.4. Air circulation through the motor restricted.	<ol style="list-style-type: none">1. Clean cylinder fins and motor area.2. Inspect and clean air filter.3. Do not use air tools with CFM needs that exceed the compressor CFM rating.4. Clean out motor to provide normal air circulation.

Symptom	Possible Cause	Possible Solution
Loud repetitious noise coming from machine.	<ol style="list-style-type: none"> 1. Pulley setscrews or keys are missing or loose. 2. Motor fan is hitting the cover. 	<ol style="list-style-type: none"> 1. Inspect keys and setscrews. Replace or tighten if necessary. 2. Adjust fan cover mounting position, tighten fan, or shim fan cover.
Low pressure at the tool.	<ol style="list-style-type: none"> 1. Pressure regulator. 2. Air leaks in hoses. 3. Pressure gauge bad. 4. Pressure switch turns the motor OFF too soon. 	<ol style="list-style-type: none"> 1. Adjust pressure regulator, if no improvement, inspect regulator for leaks or replace. 2. Check air hoses and all connections for leaks (see Page 20). 3. Replace the pressure gauge. 4. Adjust the pressure switch (see Page 21).
Low pressure at the tanks, or tank pressure drops after compressor is turned OFF .	<ol style="list-style-type: none"> 1. Air leaks in tanks or delivery pipes. 2. Drain valve open. 3. Air filter clogged. 4. Leaking check valve. 5. Pressure relief valve releasing below 120 PSI. 6. Gaskets leaking. 7. Worn rings. 8. Pressure switch turns the motor OFF too soon. 	<ol style="list-style-type: none"> 1. Check air tanks, pipes and all connections for leaks (see Page 20). 2. Close drain valve. 3. Inspect and clean air filter. 4. Repair the check valve (see Page 19). 5. Replace pressure relief valve. 6. Check gaskets on cylinder head assembly, repair or replace as needed. 7. Inspect and replace pump piston rings. 8. Adjust the pressure switch (see Page 21).
Compressor knocking.	<ol style="list-style-type: none"> 1. Improper oil level. 2. Air filter clogged. 3. Piston assembly loose. 	<ol style="list-style-type: none"> 1. Check oil level and add oil (see Page 9). 2. Inspect and clean air filter. 3. Inspect and repair piston and connecting rod.
Pressure relief valve stays open and motor won't stop running.	<ol style="list-style-type: none"> 1. Pressure switch adjusted too high. 2. Faulty pressure switch, unit is trying to overpressure the tank. 3. Faulty pressure relief valve. 	<ol style="list-style-type: none"> 1. Adjust the pressure switch (see Page 21) 2. Turn compressor OFF, unplug from power supply, and empty tank. DO NOT USE until switch is replaced. 3. Relief valve is relieving pressure too early. Replace pressure relief valve.

Symptom	Possible Cause	Possible Solution
Air leaks from pressure switch.	1. Faulty check valve. 2. Faulty pressure switch.	1. Repair the check valve (see Page 19). 2. Replace pressure switch.
Air is dirty or has excessive moisture.	1. Tank is not drained. 2. Delivery pipes are dirty.	1. Open drain valve and make certain all the water is drained out. 2. Remove delivery pipes, clean out and replace.

Changing Oil

Change the oil in the air compressor pump after the initial 50 hours, or 30 days of use; and every 300 hours, or 3 months after the first oil change. Use compressor oil or ISO 100/SAE 30W, non-detergent type oil.

To change the oil:

1. **Unplug the air compressor and drain all the air from the tank.**
2. Place a container to catch the oil under the oil sight glass.
3. Use a box end wrench or a socket wrench to remove the oil sight glass shown in **Figure 12**.

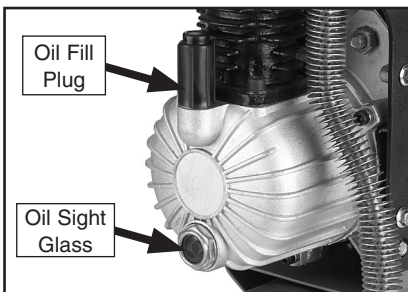


Figure 12. Oil sight glass.

4. Tip the compressor to drain all of the oil from the crank case.

5. Replace the oil sight glass and remove the fill plug shown in **Figure 12**.
6. Fill the crank case with oil until the oil level is in the center of the sight glass, then replace the oil fill plug.

Check Valve

The diaphragm and O-ring in the check valve can become damaged, twisted, or dirty and cause the check valve or pressure switch to leak air.

To fix the check valve:

1. **Unplug the air compressor and drain all the air from the tank.**
2. Remove the cap from the check valve (see **Figure 13**).



Figure 13. Check valve.

3. Inspect the O-ring and diaphragm (**Figure 14**) for damage and dirt.

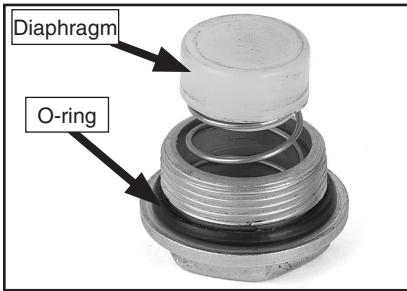


Figure 14. Check valve diaphragm and spring.

4. Replace any damaged parts and clean any dirt off of the diaphragm and O-ring.
5. Re-assemble the check valve. Make sure the diaphragm presses squarely against the air supply tube opening.

Fixing Air Leaks

Air leaks will cause low air output and increase the time the compressor must run.

To find air leaks:

1. Turn the compressor **OFF** when the tank is fully pressurized and unplug the compressor.
2. Listen for the sound of air to find fittings that may be leaking.
3. Spray the suspected air leak with a soap and water solution. If you see air bubbles, you have found your leak.

To fix air leaking around fitting threads:

1. **Unplug the air compressor and drain all the air from the tank.**
2. Unscrew the fitting that is leaking. Clean and wrap teflon tape and/or spread pipe dope on the threads.
3. Re-install the fitting to the compressor.

To fix air leaking through a valve:

1. **Unplug the air compressor and drain all the air from the tank.**
2. Remove the valve, clean it thoroughly, then re-install with teflon tape and/or pipe dope.
3. If the valve continues to leak, replace it with a new valve.

Pressure Switch

The pressure switch has been factory set for the highest PSI that is safe for this compressor.

The pressure switch ensures the pump will shut **OFF** when the air compressor tank reaches maximum PSI.

NOTICE

This air compressor has been factory set to turn **ON** and **OFF** at the proper PSI range. Only attempt to adjust the pressure regulator if your air compressor does not reach, or pressurizes beyond the proper PSI level.

To adjust the pressure switch:

1. **Unplug the air compressor from the power supply.**
2. Make sure the compressor switch is in the OFF position.
3. Drain the pressure from the tank.
4. Remove the black AUTO/OFF switch cover (**Figure 15**) by removing the screw in the recess of the cover. Pull the black cover up and set it aside.

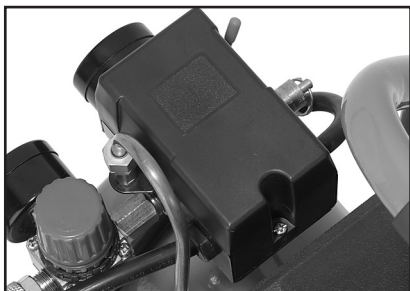


Figure 15. Pressure switch cover.

5. Turn the black plastic pressure adjustment screw (**Figure 16**) a half turn clockwise to increase the tank pressure and a half turn counterclockwise to decrease the pressure.

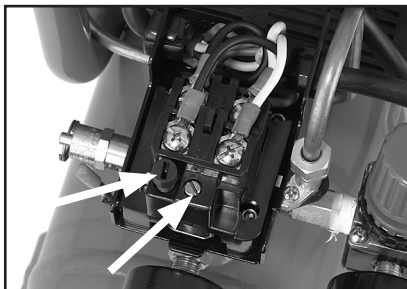
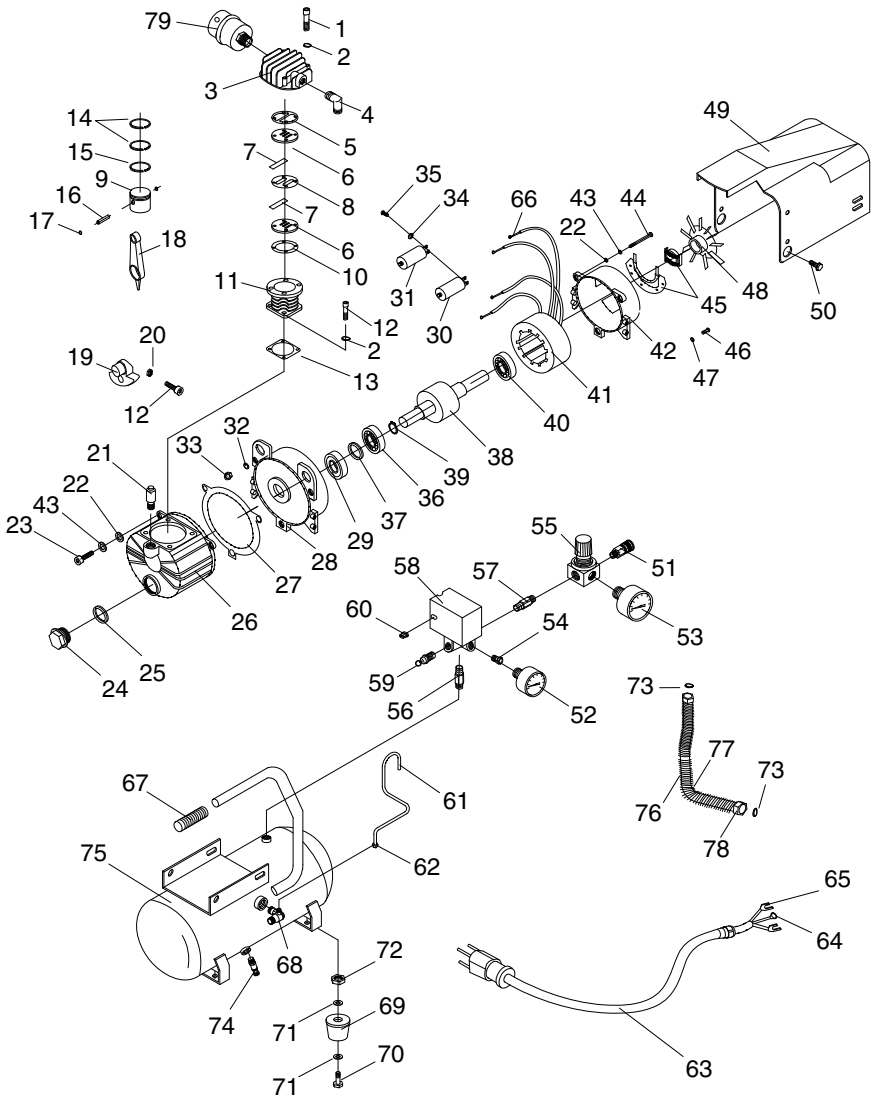


Figure 16. Pressure adjustment screws.

6. Adjust the metal pressure adjustment screw to change how low the pressure can drop before the motor turns **ON**.
7. Connect the compressor to the power supply and start the compressor. If the compressor does not automatically turn **OFF** at 120 PSI, flip the ON/OFF switch to OFF before the pressure reaches 125 PSI.
8. If the PSI level still needs adjustment, repeat **Steps 1–7**.
9. Replace the cover when the proper adjustments have been completed.

G0464 Parts Breakdown

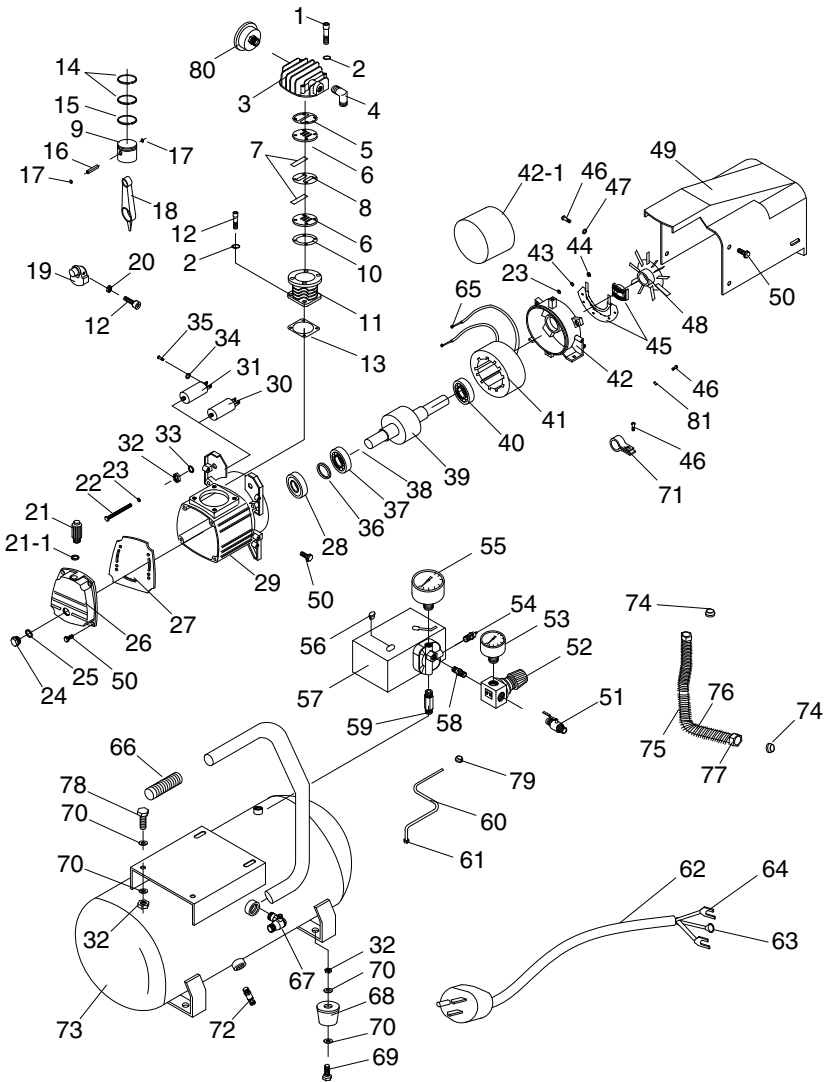


G0464 Parts List

REF	PART #	DESCRIPTION
1	PSB07M	CAP SCREW M6-1 X 30
2	PLW03M	LOCK WASHER 6MM
3	P0464003	CYLINDER HEAD
4	P0464004	EXHAUST ELBOW
5	P0464005	GASKET
6	P0464006	VALVE PLATE
7	P0464007	VALVE REED
8	P0464008	GASKET LOWER
9	P0464009	PISTON
10	P0464010	GASKET LOWER
11	P0464011	CYLINDER
12	PSB02M	CAP SCREW M6-1 X 20
13	P0464013	GASKET LOWER
14	P0464014	COMPRESSION RING
15	P0464015	OIL RING
16	P0464016	PISTON PIN
17	P0464017	PIN CLIP
18	P0464018	CONNECTING ROD
19	P0464019	ECCENTRIC
20	PN01M	HEX NUT M6-1
21	P0464021	OIL FILL CAP
22	PW02M	FLAT WASHER 5MM
23	PSB15M	CAP SCREW M5-.8 X 20
24	P0464024	OIL SIGHT GAUGE 1/2
25	P0464025	OIL SIGHT GAUGE SEAL
26	P0464026	CRANKCASE
27	P0464027	CRANKCASE GASKET
28	P0464028	MOTOR COVER FRONT
29	P0464029	OIL SEAL B16 X 35 X 7
30	P0464030	CAPACITOR 200 MFD 125 VAC
31	P0464031	CAPACITOR 40 MFD 250 VAC
32	PW01M	FLAT WASHER 8MM
33	PN03M	HEX NUT M8 X 1.25
34	PLW09M	LOCK WASHER 3MM
35	PS12M	PHLP HD SCR M3-.5 X 6
36	P6203	BALL BEARING 6203ZZ
37	P0464037	SPACER
38	P0464038	ROTOR
39	PR18M	EXT RETAINING RING 17MM

REF	PART #	DESCRIPTION
40	P6004	BALL BEARING 6004
41	P0464041	STATOR 115V/60HZ
42	P0464042	MOTOR COVER REAR
43	PLW01M	LOCK WASHER 5MM
44	PB151M	HEX BOLT M5-.8 X 35
45	P0464045	CENTRIFIGAL SWITCH
46	PS38M	PHLP HD SCR M4-.7 X 10
47	PLW02M	LOCK WASHER 4MM
48	P0464048	FAN
49	P0464049	SHROUD
50	PB96M	HEX BOLT M5-.8 X 10
51	P0464051	QUICK CONNECT-FEMALE
52	P0464052	PRESSURE GAUGE
53	P0464053	PRESSURE GAUGE
54	P0464054	FLANGE CONNECTOR
55	P0464055	REGULATOR
56	P0464056	CONNECTOR NPT 1/4 X 40MM
57	P0464057	CONNECTOR NPT 1/4 X 48MM
58	P0464058	PRESSURE SWITCH
59	P0464059	SAFETY VALVE 140PSI
60	P0464060	STRAIN RELIEF
61	P0464061	PRESSURE RELIEF TUBE
62	P0464062	COMPRESSION NUT 1/8
63	P0464063	POWER CORD 14 GA X 2
64	P0464064	CABLE CONNECTOR (O)
65	P0464065	CABLE CONNECTOR (U)
67	P0464067	GRIP HANDLE
68	P0464068	CHECK VALVE 1/2 X 3/8
69	P0464069	FOOT
70	PB09M	HEX BOLT M8-1.25 X 20
71	PW01M	FLAT WASHER 8MM
72	PN03M	HEX NUT M8-1.25
73	P0464073	COPPER WASHER 10MM
74	P0464074	DRAIN VALVE NPT 1/4
75	P0464075	TANK 1.5 GAL
76	P0464076	OUTLET TUBE
77	P0464077	FIN TUBING
78	P0464078	COMPRESSION NUT 3/8
79	P0464079	AIR FILTER KIT

G0465 Parts Breakdown

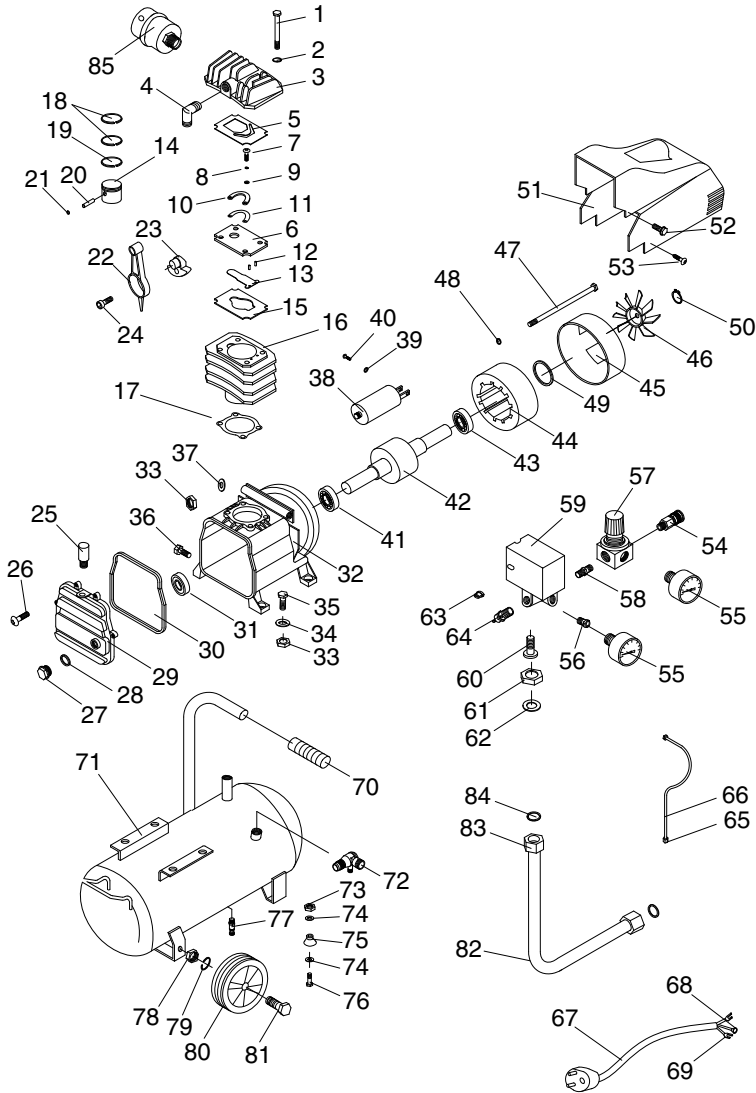


G0465 Parts List

REF	PART #	DESCRIPTION
1	PSB07M	CAP SCREW M6-1 X 30
2	PLW03M	LOCK WASHER 6MM
3	P0465003	CYLINDER HEAD
4	P0465004	EXHAUST ELBOW 3/8 X 3/8
5	P0465005	GASKET
6	P0465006	VALVE PLATE
7	P0465007	VALVE REED
8	P0465008	GASKET LOWER
9	P0465009	PISTON
10	P0465010	GASKET UPPER
11	P0465011	CYLINDER
12	PSB02M	CAP SCREW M6-1 X 20
13	P0465013	GASKET LOWER
14	P0465014	COMPRESSION RING
15	P0465015	OIL RING
16	P0465016	PISTON PIN
17	P0465017	CLIP PIN
18	P0465018	CONNECTING ROD
19	P0465019	ECCENTRIC
20	PN01M	HEX NUT M6-1
21	P0465021	OIL FILLER CAP
21-1	P0465021-1	O-RING
22	P0465022	HEX BOLT M5-0.8 X 155
23	PW02M	FLAT WASHER 5MM
24	P0465024	OIL SIGHT GAUGE
25	P0465025	OIL SIGHT GAUGE SEAL
26	P0465026	CRANKCASE COVER
27	P0465027	GASKET
28	P0465028	OIL SEAL B16 X 35 X 7
29	P0465029	CRANKCASE
30	P0465030	CAPACITOR 200MFD 125 VAC
31	P0465031	CAPACITOR 40 MFD 250 VAC
32	PN06M	HEX NUT M5-0.8
33	PW01M	FLAT WASHER 8MM
34	PLW09M	LOCK WASHER 3MM
35	PS12M	PHLP HD SCR M3-0.5 X 6
36	P0465036	SPACER
37	P6203	BALL BEARING 6203
38	PR18M	EXT RETAINING RING 17MM
39	P0465039	ROTOR
40	P6004	BALL BEARING 6004ZZ
41	P0465041	STATOR 115V/60HZ

REF	PART #	DESCRIPTION
42	P0465042	REAR MOTOR COVER
42-1	P0465042-1	STATOR COVER
43	PLW01M	LOCK WASHER 5MM
44	PN06M	HEX NUT M5-0.8
45	P0465045	CENTRIFUGAL SWITCH
46	PS38M	PHLP HD SCR M4-0.7 X 10
47	PLW02M	LOCK WASHER 4MM
48	P0465048	FAN
49	P0465049	SHROUD
50	PB95M	HEX BOLT M5-.8 X 16
51	P0465051	BALL VALVE
52	P0465052	REGULATOR
53	P0465053	PRESSURE GAUGE
54	P0465054	SAFETY VALVE
55	P0465055	PRESSURE GAUGE
56	P0465056	STRAIN RELIEF
57	P0465057	PRESSURE SWITCH
58	P0465058	CONNECTOR NPT 1/4 X 27
59	P0465059	CONNECTOR NPT 1/4 X 48
60	P0465060	PRESSURE RELIEF TUBE
61	P0465061	COMPRESSION NUT 1/8
62	P0465062	POWER CORD 14 GA X 2
63	P0465063	CABLE CONNECTOR
64	P0465064	CABLE CONNECTOR
65	P0465065	CABLE CONNECTOR
66	P0465066	GRIP HANDLE
67	P0465067	CHECK VALVE
68	P0465068	FOOT
69	PB07M	HEX BOLT M8-1.25 X 25
70	PW01M	FLAT WASHER 8MM
71	P0465071	CABLE CLAMP
72	P0465072	DRAIN VALVE
73	P0465073	TANK 3 GAL
74	P0465074	FERRULE
75	P0465075	OUTLET TUBE
76	P0465076	FIN TUBING
77	P0465077	FLARE NUT
78	PB07M	HEX BOLT M8-1.25 X 25
79	P0465079	FERRULE
80	P0465080	AIR FILTER KIT
81	PW05M	FLAT WASHER 4MM

G0467 Parts Breakdown

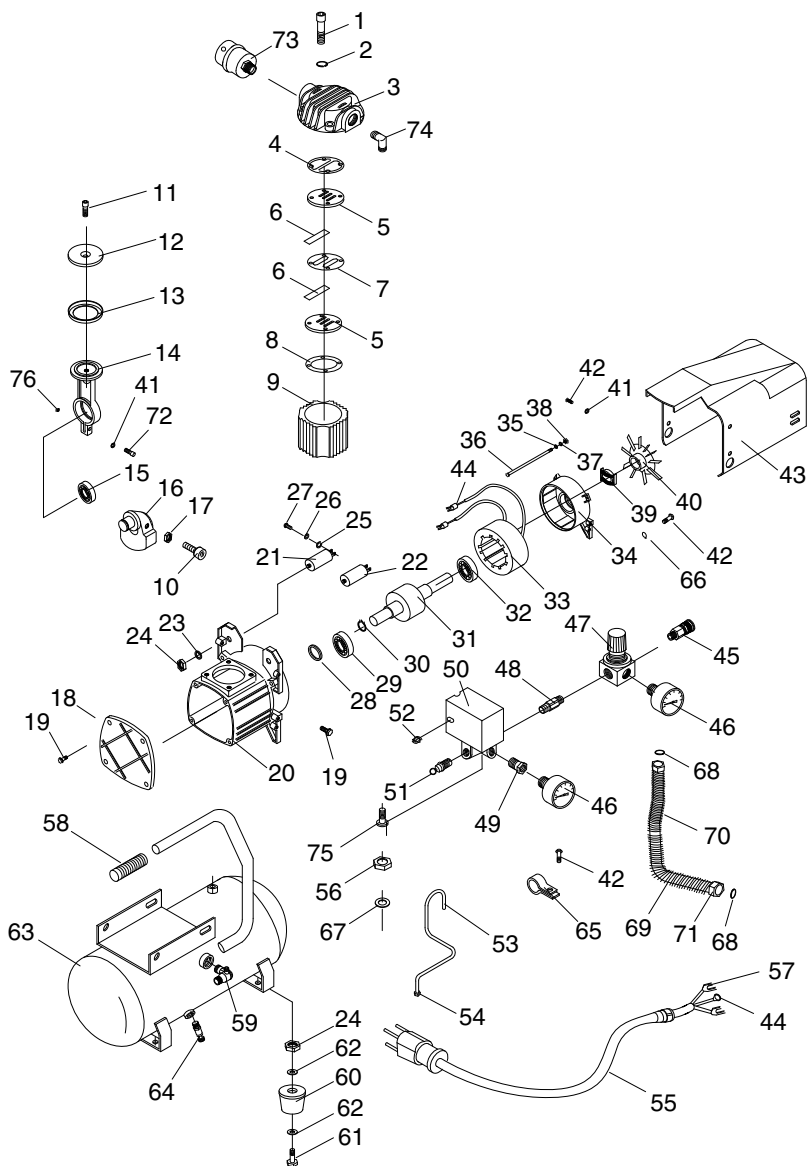


G0467 Parts List

REF PART #	DESCRIPTION
1	P0467001 HEX BOLT M8-1.25 X 105
2	PLW04M LOCK WASHER 8MM
3	P0467003 CYLINDER HEAD
4	P0467004 EXHAUST ELBOW
5	P0467005 CYLINDER GASKET
6	P0467006 VALVE PLATE
7	PS07M PHLP HD SCR M4-.7 X 8
8	PLW02M LOCK WASHER 4MM
9	PW05M FLAT WASHER 4MM
10	P0467010 VALVE LIMITER
11	P0467011 VALVE REED
12	P0467012 POSITION PIN
13	P0467013 INLET VALVE
14	P0467014 PISTON
15	P0467015 CYLINDER GASKET UPPER
16	P0467016 CYLINDER
17	P0467017 CYLINDER GASKET LOWER
18	P0467018 COMPRESSION RING
19	P0467019 OIL RING
20	P0467020 PISTON PIN
21	PRO3M EXT RETAINING RING 12MM
22	P0467022 CONNECTING ROD
23	P0467023 ECCENTRIC
24	PSB102M CAP SCREW M8-1.25 X 22 LH
25	P0467025 OIL FILL CAP
26	PS20M PHLP HD SCR M5-.8 X 15
27	P0467027 OIL SIGHT
28	P0467028 OIL SIGHT SEAL
29	P0467029 CRANKCASE COVER
30	P0467030 COVER SEAL
31	P0467031 OIL SEAL
32	P0467032 CRANKCASE
33	PN03M HEX NUT M8-1.25
34	PW01M FLAT WASHER 8MM
35	PB20M HEX BOLT M8-1.25 X 35
36	P0467036 OIL PLUG
37	PTLW03M INT TOOTH WASHER 8MM
38	P0467038 CAPACITOR 120MFD 250VAC
39	PLW09M LOCK WASHER 3MM
40	PS12M PHLP HD SCR M3-.5 X 6
41	P6204 BALL BEARING 6204
42	P0467042 ROTOR
43	P6202 BALL BEARING 6202

REF PART #	DESCRIPTION
44	P0467044 STATOR
45	P0467045 REAR MOTOR COVER
46	P0467046 FAN
47	P0467047 HEX BOLT M5-.8 X 105
48	PLW01M LOCK WASHER 5MM
49	P0467049 SPACER
50	PR02M EXT RETAINING RING 14MM
51	P0467051 MOTOR COVER
52	PB95M HEX BOLT M5-.8 X 16
53	PHTEK15M TAP SCREW M4 X 10
54	P0467054 QUICK CONNECT
55	P0467055 PRESSURE GAUGE
56	P0467056 CONNECTOR
57	P0467057 REGULATOR
58	P0467058 CONNECTOR
59	P0467059 PRESSURE SWITCH
60	P0467060 PRESSR SWITCH CONNECT
61	P0467061 COMPRESSION NUT 3/8
62	P0467062 SPECIAL WASHER 3/8
63	P0467063 STRAIN RELIEF
64	P0467064 SAFETY VALVE
65	P0467065 COMPRESSION NUT
66	P0467066 RELIEF TUBE
67	P0467067 POWER CORD
68	P0467068 CABLE CONNECTOR
69	P0467069 CABLE CONNECTOR
70	P0467070 HANDLE GRIP
71	P0467071 TANK 6 GAL
72	P0467072 CHECK VALVE
73	PN01M HEX NUT M6-1
74	PW02M FLAT WASHER 5MM
75	P0467075 FOOT
76	PB10M HEX BOLT M6-1 X 25
77	P0467077 DRAIN VALVE
78	PN09M HEX NUT M12-1.75
79	PLW05M LOCK WASHER 12MM
80	P0467080 WHEEL
81	P0467081 AXLE
82	P0467082 TUBE
83	P0467083 COMPRESSION NUT 3/8
84	P0467084 COPPER WASHER
85	P0467085 AIR FILTER KIT

G0468 Parts Breakdown

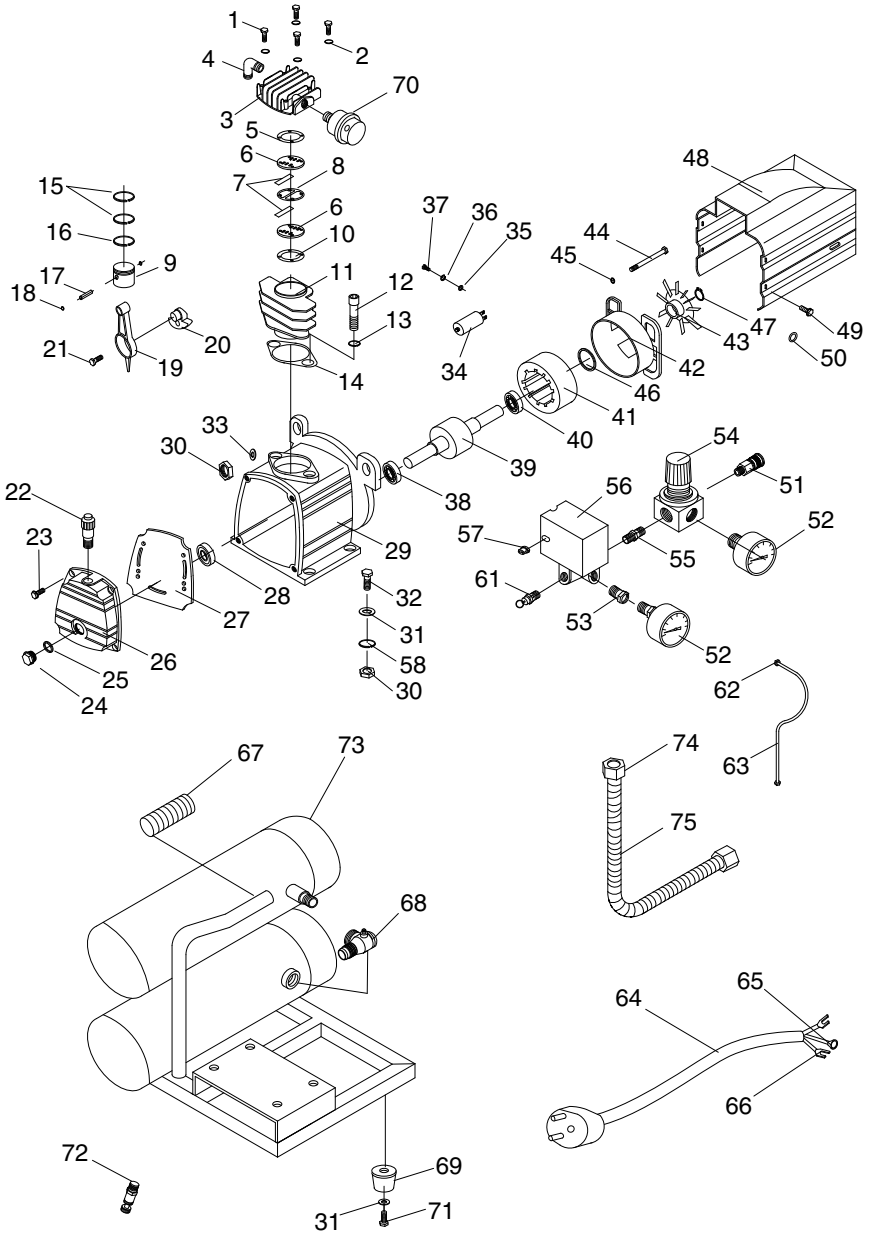


G0468 Parts List

REF PART #	DESCRIPTION
1	P0468001 CAP SCREW M6-1 X 80
2	PLW03M LOCK WASHER 6MM
3	P0468003 CYLINDER HEAD
4	P0468004 GASKET
5	P0468005 VALVE PLATE
6	P0468006 VALVE REED
7	P0468007 GASKET UPPER
8	P0468008 GASKET LOWER
9	P0468009 CYLINDER
10	PSB02M CAP SCREW M6-1 X 20
11	PSB28M CAP SCREW M6-1 X 15
12	P0468012 COVER
13	P0468013 COMPRESSION RING
14	P0468014 CONNECTING ROD
15	P6202 BALL BEARING 6202
16	P0468016 ECCENTRIC
17	PN01M HEX NUT M6-1
18	P0468018 COVER
19	PB95M HEX BOLT M5-.8 X 16
20	P0468020 CRANKCASE
21	P0468021 CAPACITOR 200 MFD
22	P0468022 CAPACITOR 40 MFD
23	PW01M FLAT WASHER 8MM
24	PN03M HEX NUT M8-1.25
25	PLW09M LOCK WASHER 3MM
26	PW07M FLAT WASHER 3MM
27	PS12M PHLP HD SCR M3-.5 X 6
28	P0468028 WAVY WASHER 17MM
29	P6203 BALL BEARING 6203
30	PR18M EXT RETAINING RING 17MM
31	P0468031 ROTOR
32	P6004 BALL BEARING 6004
33	P0468033 STATOR
34	P0468034 REAR MOTOR COVER
35	PW02M FLAT WASHER 5MM
36	P0468036 HEX BOLT M5-.8 X 155
37	PLW01M LOCK WASHER 5MM
38	PN06M HEX NUT M5-.8

REF PART #	DESCRIPTION
39	P0468039 CENTRIFIGAL SWITCH
40	P0468040 FAN
41	PLW02M LOCK WASHER 4MM
42	PHTEK15M TAP SCREW M4 X 10
43	P0468043 COVER
44	P0468044 RING TERMINAL
45	P0468045 QUICK CONNECT-FEMALE
46	P0468046 PRESSURE GAUGE
47	P0468047 REGULATOR
48	P0468048 CONNECTOR NPT 1/4
49	P0468049 CONNECTOR
50	P0468050 PRESSURE SWITCH
51	P0468051 SAFETY VALVE
52	P0468052 STRAIN RELIEF
53	P0468053 PRESSURE RELIEF TUBE
54	P0468054 COMPRESSION NUT
55	P0468055 POWER CORD
56	P0468056 COMPRESSION NUT 3/8
57	P0468057 TERMINAL
58	P0468058 HANDLE GRIP
59	P0468059 CHECK VALVE
60	P0468060 RUBBER FOOT
61	PB09M HEX BOLT M8-1.25 X 20
62	PW01M FLAT WASHER 8MM
63	P0468063 TANK 1.5 GAL
64	P0468064 DRAIN VALVE
65	P0468065 STRAIN RELIEF
66	PW05M FLAT WASHER 4MM
67	P0468067 SPECIAL WASHER 3/8
68	P0468068 COPPER WASHER 10MM
69	P0468069 OUTLET TUBE
70	P0468070 FIN TUBING
71	P0468071 COMPRESSION NUT
72	PSB16M CAP SCREW M4-.7 X 16
73	P0468073 AIR FILTER KIT
74	P0468074 EXHAUST ELBOW
75	P0468075 PRESSR SWITCH CONNECT
76	PN04M HEX NUT M4-.7

G0470 Parts Breakdown



G0470 Parts List

REF	PART #	DESCRIPTION
1	PB105M	HEX BOLT M6-1 X 55
2	PLW03M	LOCK WASHER 6MM
3	P0470003	CYLINDER HEAD
4	P0470004	EXHAUST ELBOW
5	P0470005	CYLINDER HEAD GASKET
6	P0470006	VALVE ASSEMBLY
7	P0470007	VALVE PLATE
8	P0470008	VALVE PATCH
9	P0470009	PISTON
10	P0470010	CYLINDER GASKET
11	P0470011	CYLINDER
12	PSB31M	CAP SCREW M8-1.25 X 25
13	PLW04M	LOCK WASHER 8MM
14	P0470014	CYLINDER GASKET
15	P0470015	COMPRESSION RING
16	P0470016	OIL RING
17	P0470017	PISTON PIN
18	PR03M	EXT RETAINING RING 12MM
19	P0470019	CONNECTING ROD
20	P0470020	CRANKSHAFT
21	PB91M	HEX BOLT M6-1 X 18
22	P0470022	OIL FILLER BREATHER PLUG
23	PB91M	HEX BOLT M6-1 X 18
24	P0470024	OIL SIGHT GLASS
25	P0470025	O-RING
26	P0470026	CRANKCASE COVER
27	P0470027	GASKET
28	P0470028	OIL SEAL
29	P0470029	CRANKCASE
30	PN03M	HEX NUT M8-1.25
31	PW01M	FLAT WASHER 8MM
32	PB118M	HEX BOLT M8-1.25 X 45
33	P0470033	LOCK GASKET
34	P0470034	CAPACITOR 120MFD 250 VAC
35	PW07M	FLAT WASHER 3MM
36	PLW09M	LOCK WASHER 3MM
37	PS12M	PHLP HD SCR M3-.5 X 6

REF	PART #	DESCRIPTION
38	P6204	BALL BEARING 6204
39	P0470039	ROTOR
40	P6202	BALL BEARING 6202
41	P0470041	STATOR
42	P0470042	REAR MOTOR COVER
43	P0470043	FAN
44	P0470044	HEX BOLT M5-.8 X 120
45	PLW01M	LOCK WASHER 5MM
46	P0470046	GASKET
47	PR02M	EXT RETAINING RING 14MM
48	P0470048	COVER
49	PB95M	HEX BOLT M5-.8 X 16
50	PW03M	FLAT WASHER 6MM
51	P0470051	QUICK CONNECT-FEMALE
52	P0470052	PRESSURE GAUGE
53	P0470053	CONNECTOR
54	P0470054	REGULATOR
55	P0470055	CONNECTOR
56	P0470056	PRESSURE SWITCH
57	P0470057	STRAIN RELIEF
58	PLW04M	LOCK WASHER 8MM
61	P0470061	SAFETY RELIEF
62	P0470062	COMPRESSION NUT
63	P0470063	TUBE
64	P0470064	POWER CORD
65	P0470065	TERMINAL
66	P0470066	TERMINAL
67	P0470067	GRIP HANDLE
68	P0470068	CHECK VALVE
69	P0470069	FOOT
70	P0470070	AIR FILTER
71	PB09M	HEX BOLT M8-1.25 X 20
72	P0470072	DRAIN VALVE
73	P0470073	TANK
74	P0470074	COMPRESSION NUT 3/8
75	P0470075	EXHAUST PIPE

WARRANTY AND RETURNS

Grizzly Industrial, Inc. warrants every product it sells for a period of **1 year** to the original purchaser from the date of purchase. This warranty does not apply to defects due directly or indirectly to misuse, abuse, negligence, accidents, repairs or alterations or lack of maintenance. This is Grizzly's sole written warranty and any and all warranties that may be implied by law, including any merchantability or fitness, for any particular purpose, are hereby limited to the duration of this written warranty. We do not warrant or represent that the merchandise complies with the provisions of any law or acts unless the manufacturer so warrants. In no event shall Grizzly's liability under this warranty exceed the purchase price paid for the product and any legal actions brought against Grizzly shall be tried in the State of Washington, County of Whatcom.

We shall in no event be liable for death, injuries to persons or property or for incidental, contingent, special, or consequential damages arising from the use of our products.

To take advantage of this warranty, contact us by mail or phone and give us all the details. We will then issue you a "Return Authorization Number," which must be clearly posted on the outside as well as the inside of the carton. We will not accept any item back without this number. Proof of purchase must accompany the merchandise.

The manufacturers reserve the right to change specifications at any time because they constantly strive to achieve better quality equipment. We make every effort to ensure that our products meet high quality and durability standards and we hope you never need to use this warranty.

Please feel free to write or call us if you have any questions about the machine or the manual.

Grizzly Industrial, Inc.
1203 Lycoming Mall Circle
Muncy, PA 17756
Phone: (570) 546-9663
Fax: (800) 438-5901

E-Mail:
techsupport@grizzly.com

Web Site: <http://www.grizzly.com>

Thank you again for your business and continued support. We hope to serve you again soon!

Grizzly WARRANTY CARD
Industrial, Inc.

Name _____

Street _____

City _____ State _____ Zip _____

Phone # _____ Email _____ Invoice # _____

Model # _____ Order # _____ Serial # _____

The following information is given on a voluntary basis. It will be used for marketing purposes to help us develop better products and services. All information is strictly confidential.

1. How did you learn about us?

Advertisement Friend Catalog
 Card Deck Website Other: _____

2. Which of the following magazines do you subscribe to?

<input type="checkbox"/> Cabinet Maker	<input type="checkbox"/> Popular Mechanics	<input type="checkbox"/> Today's Homeowner
<input type="checkbox"/> Family Handyman	<input type="checkbox"/> Popular Science	<input type="checkbox"/> Wood
<input type="checkbox"/> Hand Loader	<input type="checkbox"/> Popular Woodworking	<input type="checkbox"/> Wooden Boat
<input type="checkbox"/> Handy	<input type="checkbox"/> Practical Homeowner	<input type="checkbox"/> Woodshop News
<input type="checkbox"/> Home Shop Machinist	<input type="checkbox"/> Precision Shooter	<input type="checkbox"/> Woodsmith
<input type="checkbox"/> Journal of Light Cont.	<input type="checkbox"/> Projects in Metal	<input type="checkbox"/> Woodwork
<input type="checkbox"/> Live Steam	<input type="checkbox"/> RC Modeler	<input type="checkbox"/> Woodworker West
<input type="checkbox"/> Model Airplane News	<input type="checkbox"/> Rifle	<input type="checkbox"/> Woodworker's Journal
<input type="checkbox"/> Modeltec	<input type="checkbox"/> Shop Notes	<input type="checkbox"/> Other: _____
<input type="checkbox"/> Old House Journal	<input type="checkbox"/> Shotgun News	

3. What is your annual household income?

\$20,000-\$29,000 \$30,000-\$39,000 \$40,000-\$49,000
 \$50,000-\$59,000 \$60,000-\$69,000 \$70,000+

4. What is your age group?

20-29 30-39 40-49
 50-59 60-69 70+

5. How long have you been a woodworker/metalworker?

0-2 Years 2-8 Years 8-20 Years 20+ Years

6. How many of your machines or tools are Grizzly?

0-2 3-5 6-9 10+

7. Do you think your machine represents a good value? Yes No

8. Would you recommend Grizzly Industrial to a friend? Yes No

9. Would you allow us to use your name as a reference for our customers in your area?

Note: *We never use names more than 3 times.* Yes No

10. Comments: _____

Send a Grizzly Catalog to a friend:

Name _____
Street _____
City _____ State _____ Zip _____

FOLD ALONG DOTTED LINE



GRIZZLY INDUSTRIAL, INC.
P.O. BOX 2069
BELLINGHAM, WA 98227-2069



TAPE ALONG EDGES--PLEASE DO NOT STAPLE