

AC1-8E, AC1-20E, AC2-8E, AC2-20E AIR COMPRESSORS



JOHN DEERE

**OPERATOR'S
MANUAL**



201473



CAUTION

**RISK OF INJURY! READ ENTIRE MANUAL BEFORE OPERATING!
THIS MANUAL IS AN IMPORTANT PART OF THE AIR
COMPRESSOR AND MUST REMAIN WITH THIS UNIT!**

TABLE OF CONTENTS

| | |
|---|-------------------|
| INTRODUCTION | 3 |
| IMPORTANT | 3 |
| INSPECTION | 3 |
| IMPORTANT SAFETY INSTRUCTIONS | 4-7 |
| RISK OF ELECTRIC SHOCK OR ELECTROCUTION | 4 |
| RISK OF EXPLOSION OR FIRE | 5 |
| RISK OF BURSTING | 5 |
| RISK TO BREATHING | 6 |
| RISK OF BURNS | 6 |
| RISK OF FLYING OBJECTS | 6 |
| RISK FROM MOVING PARTS | 7 |
| RISK FROM NEGLIGENCE..... | 7 |
| RISK OF AIR COMPRESSOR DAMAGE | 7 |
| FEATURES DRAWINGS | 8 & 10 |
| FEATURES REVIEW | 9 & 11 |
| PREPARATION INSTRUCTIONS | 13 |
| INITIAL SET-UP | 13 |
| LOCATION | 13 |
| ELECTRICAL | 13 |
| PRE-START CHECKLIST | 13 |
| OPERATING INSTRUCTIONS | 14 |
| START-UP..... | 14 |
| SHUTDOWN..... | 14 |
| MAINTENANCE INSTRUCTIONS | 15 |
| TROUBLESHOOTING | 16-18 |
| WARRANTY | 19 |
| NOTES | 20-21 |

WARNING

This product contains one or more chemicals known to the State of California to cause cancer and birth defects or other reproductive harm.

INTRODUCTION

Congratulations on the purchase of your new Air Compressor! You can be assured your Air Compressor was constructed with the highest level of precision and accuracy. Each component has been rigorously tested by technicians to ensure the quality, endurance and performance of this air compressor.

This operator's manual was compiled for your benefit. By reading and following the simple safety, installation and operation, maintenance and troubleshooting steps described in this manual, you will receive years of trouble free operation from your new Air Compressor. The contents of this manual are based on the latest product information available at the time of publication. The manufacturer reserves the right to make changes in price, color, materials equipment, specifications or models at any time without notice.



IMPORTANT!

A "**DANGER, WARNING or CAUTION**" safety warning will be surrounded by a "**SAFETY ALERT BOX**". This box is used to designate and emphasize Safety Warnings that must be followed when operating this air compressor. Accompanying the safety warnings are "**Signal Words**" which designate the degree or level of hazard seriousness. The "**Signal Words**" used in this manual are as follows:



DANGER: Indicates an imminently hazardous situation which, if not avoided, WILL result in death or serious injury.



WARNING: Indicates a potentially hazardous situation which, if not avoided, COULD result in death or serious injury.



CAUTION: Indicates a potentially hazardous situation which, if not avoided MAY result in minor or moderate injury or damage to the air compressor.



The symbols set to the left of this paragraph are "**Safety Alert Symbols**". These symbols are used to call attention to items or procedures that could be dangerous to you or other persons using this equipment.

ALWAYS PROVIDE A COPY OF THIS MANUAL TO ANYONE USING THIS EQUIPMENT. READ ALL INSTRUCTIONS IN THIS MANUAL AND ANY INSTRUCTIONS SUPPLIED BY MANUFACTURERS OF SUPPORTING EQUIPMENT BEFORE OPERATING THIS AIR COMPRESSOR AND ESPECIALLY POINT OUT THE "SAFETY WARNINGS" TO PREVENT THE POSSIBILITY OF PERSONAL INJURY TO THE OPERATOR.

Once the unit has been uncrated, immediately write in the serial number of your unit in the space provided below.

SERIAL NUMBER _____

Inspect for signs of obvious or concealed freight damage. If damage does exist, file a claim with the transportation company immediately. Be sure that all damaged parts are replaced and that the mechanical and electrical problems are corrected prior to operation of the unit. If you require service, contact your Customer Service.

Mi-T-M® Corporation, 8650 Enterprise Drive, Peosta, IA 52068
1-877-JD-KLEEN / (1-877-535-5336) Fax 563-556-1235
Monday - Friday 8:00 a.m. - 5:00 p.m. CST

Please have the following information available for all service calls:


1. Model Number
2. Serial Number
3. Date and Place of Purchase



IMPORTANT SAFETY INSTRUCTIONS

WARNING: When using this product, basic precautions should always be observed, including the following:
READ ALL SAFETY INSTRUCTIONS BEFORE USING AIR COMPRESSOR



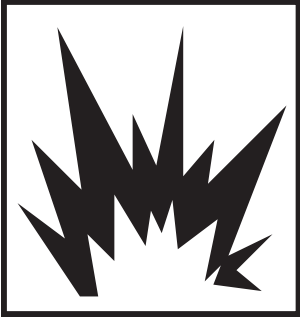

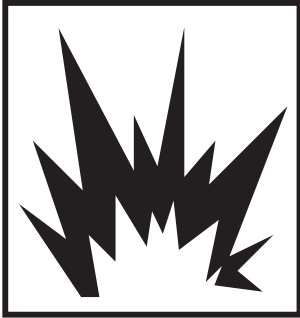
| HAZARD | POTENTIAL CONSEQUENCE | PREVENTION |
|---|---|--|
| <p data-bbox="228 283 467 409">RISK OF ELECTRIC SHOCK OR ELECTROCUTION</p>  | <p data-bbox="570 283 971 504">Serious injury or death could occur if the air compressor is not properly grounded. Your air compressor is powered by electricity and may cause electric shock or electrocution if not used properly.</p> <p data-bbox="570 567 950 630">Electrical shock may occur from electrical cord.</p> <p data-bbox="570 1008 933 1102">Electrical shock may occur if air compressor is not operated properly.</p> <p data-bbox="570 1270 971 1354">Serious injury or death may occur if electrical repairs are attempted by unqualified persons.</p> | <p data-bbox="1024 283 1421 472">Make sure the air compressor is plugged into a properly grounded outlet which provides correct voltage and adequate fuse protection. Disconnect when not in use.</p> <p data-bbox="1024 567 1421 661">Check power cord for signs of crushing, cutting or heat damage. Replace faulty cord before use.</p> <p data-bbox="1024 693 1437 882">Keep all connections dry and off the ground. Do not allow electrical cords to lay in water or in such a position where water could come in contact with them. Do not touch plug with wet hands.</p> <p data-bbox="1024 913 1437 976">Do not pull on the electrical cord to disconnect from the outlet.</p> <p data-bbox="1024 1008 1437 1102">Never operate air compressor in wet conditions or outdoors when it is raining.</p> <p data-bbox="1024 1134 1437 1228">Never operate air compressor with safety guards/covers removed or damaged.</p> <p data-bbox="1024 1270 1421 1459">Any electrical wiring or repairs performed on this air compressor should be done by Authorized Service Personnel in accordance with National and Local electrical codes.</p> <p data-bbox="1024 1491 1437 1837">Before opening any electrical enclosure, always shut off the air compressor, relieve pressure and unplug the air compressor from the power source. Allow air compressor to cool down. Never assume the air compressor is safe to work on just because it is not operating. It could restart at any time! Service in a clean, dry, flat area.</p> |



IMPORTANT SAFETY INSTRUCTIONS

READ ALL SAFETY INSTRUCTIONS BEFORE USING AIR COMPRESSOR






| HAZARD | POTENTIAL CONSEQUENCE | PREVENTION |
|---|--|--|
| <p>RISK OF EXPLOSION OR FIRE</p>   | <p>Serious injury or death may occur from normal electrical sparks in motor and pressure switch</p> <p>Serious injury may occur if any air compressor ventilation openings are restricted, causing the air compressor to overheat and start a fire.</p> | <p>Always operate air compressor in a well ventilated area free of flammable vapors, combustible dust, gases or other combustible materials.</p> <p>DO NOT SMOKE if spraying flammable material. Locate the air compressor at least 20 feet away from the spray area. (An additional hose may be required.)</p> <p>Never place objects against or on top of air compressor. Operate air compressor at least 12 inches away from any wall or obstruction that would restrict proper ventilation.</p> |
| <p>RISK OF BURSTING</p>  | <p>Serious injury or death may occur from an air tank explosion if air tanks are not properly maintained.</p> <p>Serious injury may occur from an air compressor malfunction or exploding accessories if incorrect system components, attachments or accessories are used.</p> | <p>Drain air tank daily or after each use to prevent moisture buildup in the air tank.</p> <p>If air tank develops a leak, replace the air tank immediately. Never repair, weld or make modifications to the air tank or its attachments. Use only genuine Manufacturer repair parts for your air compressor.</p> <p>Never make adjustments to the factory set pressures.</p> <p>Never exceed manufacturers maximum allowable pressure rating of attachments.</p> <p>Because of extreme heat, do not use plastic pipe or lead tin soldered joints for a discharge line.</p> <p>Never use air compressor to inflate small, low pressure objects such as toys.</p> |



IMPORTANT SAFETY INSTRUCTIONS

READ ALL SAFETY INSTRUCTIONS BEFORE USING AIR COMPRESSOR




| HAZARD RISK TO BREATHING | POTENTIAL CONSEQUENCE | PREVENTION |
|---|---|--|
|  | <p>Serious injury or death could occur from inhaling compressed air. The air stream may contain carbon monoxide, toxic vapors or solid particles.</p> <p>Sprayed materials such as paint, paint solvents, paint remover, insecticides, weed killers, etc. contain harmful vapors and poisons.</p> | <p>Never inhale air from the air compressor either directly or from a breathing device connected to the air compressor.</p> <p>Operate air compressor only in a well ventilated area. Follow all safety instructions provided with the materials you are spraying. Use of a respirator may be required when working with some materials.</p> |
| <p>RISK OF BURNS</p>  | <p>Serious injury could occur from touching exposed metal parts. These areas can remain hot for some time after the air compressor is shutdown.</p> | <p>Never allow any part of your body or other materials to make contact with any exposed metal parts on the air compressor.</p> |
| <p>RISK OF FLYING OBJECTS</p>  | <p>Soft tissue damage can occur from the compressed air stream.</p> <p>Serious injury can occur from loose debris being propelled at a high speed from the compressed air stream.</p> | <p>Always wear safety glasses to shield the eyes from flying debris.</p> <p>Never point the air stream at any part of your body, anyone else or animals.</p> <p>Never leave pressurized air in the air compressor. Shut off air compressor and relieve pressure when storing or attempting maintenance.</p> <p>Always maintain a safe distance from people and animals while operating the air compressor.</p> <p>Do not move the air compressor while air tank is under pressure. Do not attempt to move the air compressor by pulling on the hose.</p> |



IMPORTANT SAFETY INSTRUCTIONS

READ ALL SAFETY INSTRUCTIONS BEFORE USING AIR COMPRESSOR



| HAZARD | POTENTIAL CONSEQUENCE | PREVENTION |
|--|---|---|
| <p>RISK FROM MOVING PARTS</p>  | <p>Risk of bodily injury from moving parts. This air compressor cycles automatically when the pressure switch is in the "On/Auto" position.</p> | <p>Before performing maintenance, always turn off air compressor. Bleed pressure from the air hose and unplug electrical cord from outlet. All <u>repairs</u> to the air compressor should be made by an Authorized Service person. Never assume the air compressor is safe to work on just because it is not operating. It could restart at any time!</p> <p>Do not operate without protective covers/guards. Always unplug the air compressor before removing any guard. Replace damaged covers/guards before using the air compressor.</p> |
| <p>RISK FROM NEGLIGENCE</p> | <p>Risk of injury from negligent use.</p> | <p>Never allow children or adolescents to operate this air compressor!</p> <p>Stay alert-watch what you are doing. Do not operate the air compressor when fatigued or under the influence of alcohol or drugs.</p> <p>Know how to stop the air compressor. Be thoroughly familiar with controls.</p> |
| <p>RISK OF AIR COMPRESSOR DAMAGE</p> | <p>Risk of major repair.</p> | <p>Do not operate air compressor without an air filter.</p> <p>Do not operate air compressor in a corrosive environment.</p> <p>Always operate the air compressor in a stable, secure position to prevent air compressor from falling.</p> <p>Follow all maintenance instructions listed in this manual.</p> |

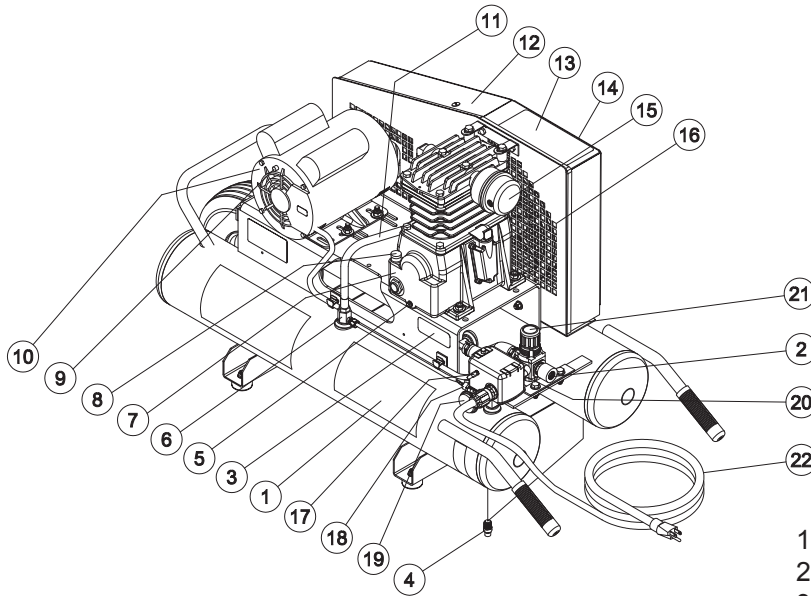


! SAVE THESE INSTRUCTIONS !



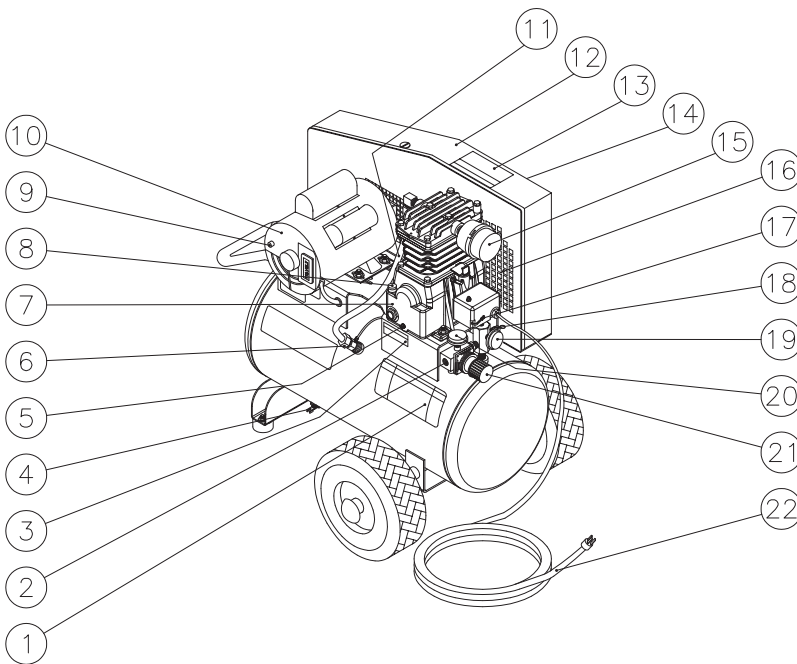
ELECTRIC AIR COMPRESSOR FEATURES (SINGLE STAGE)

AC1-PE15-FEATURE 8 GAL.-041205-DLG

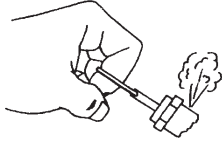


1. Decal- Danger/Warning/Caution
2. Outlet Fitting
3. Decal- Warning: Hot Surface
4. Tank Drain Valve
5. Pump Oil Drain
6. Check Valve
7. Air Compressor Pump
8. Pump Oil Fill Port
9. Thermal Overload
10. Electric Motor
11. Pump Discharge Line
12. Beltguard
13. Decal- Warning: Risk of Injury
14. Decal- Warning: Beltguard in Place
15. Air Filter
16. Ventilation Holes
17. Pressure Switch
18. Pressure Relief Valve
19. Pressure Gauge- Tank PSI
20. Pressure Gauge- Outlet PSI
21. Pressure Regulator
22. Electric Power Cord

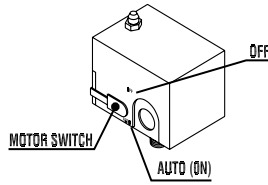
AC1-PE15-20 FEATURES-041205-DLG



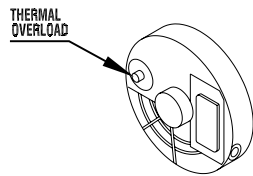
EXPLODED VIEW & EXPLANATION OF AIR COMPRESSOR FEATURES



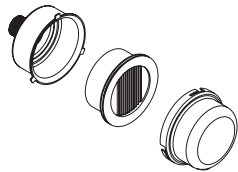
SAFETY RELIEF VALVE: This valve is designed to prevent system failures by relieving pressure from the system when the compressed air reaches a predetermined level. The valve is preset by the manufacturer and must not be modified in any way. To verify the valve is working properly, pull on the ring. Air pressure should escape. When the ring is released, it will reset.



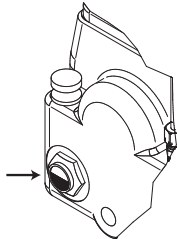
MOTOR/PRESSURE SWITCH: This switch is used to start or stop the air compressor. Moving the switch to the "Auto" (On) position will provide automatic power to the pressure switch which will allow the motor to start when the air tank pressure is below the factory set "cut-in" pressure. When in the Start/Stop Option, the pressure switch stops the motor when the air tank pressure reaches the factory set "cut-out" pressure. For safety purposes, this switch also has a pressure release valve located on the side of the switch designed to automatically release compressed air from the air compressor pump head and its discharge line when the air compressor reaches "cut-out" pressure or is shut off. This allows the motor to restart freely. Moving the switch to the "Off" position will remove power from the pressure switch and stop the air compressor.



MOTOR THERMAL OVERLOAD: The electric motor has a manual thermal overload protector. If the motor overheats for any reason, the thermal overload will cut off power, thus preventing the motor from being damaged. Wait until the motor is cool before pressing the thermal overload button to reset and begin working again.

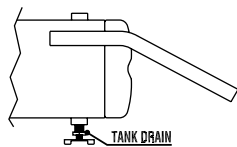


AIR INTAKE FILTER: This filter is designed to clean air coming into the pump. To ensure the pump continually receives a clean, cool, dry air supply this filter must always be clean and ventilation opening free from obstructions. Replace filter element when necessary.



OIL FILL PORT/VENT: Pour oil into the Oil Fill Port/Vent when required.

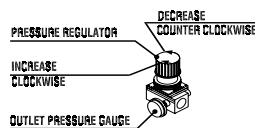
OIL SIGHT GLASS: The Oil Sight Glass displays the oil level in the pump. The oil level should be at the center of the Oil Sight Glass. If low, add SAE 30W non-detergent oil.



AIR COMPRESSOR PUMP: To compress air, the pistons move up and down in the cylinders. On the downstroke, air is drawn in through the air intake valves while the exhaust valves remain closed. On the upstroke, air is compressed, the intake valves close and compressed air is forced out through the exhaust valves, into the discharge line, through the check valve and/or the pilot valve and into the air tank.

AIR TANK PRESSURE GAUGE: The air tank pressure gauge indicates the reserve air pressure in the air tank (s).

AIR TANK DRAIN VALVE: The drain valve is used to remove moisture from the air tank(s) after the air compressor is shut off. **NEVER attempt to open the drain valve when more than 10 PSI of air pressure is in the air tank!** To open the drain valve, turn the knob counterclockwise.



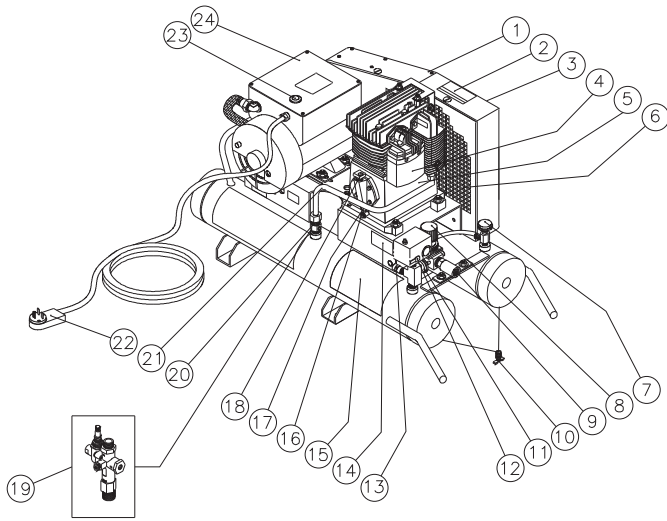
OPTIONAL PRESSURE REGULATOR: The air pressure coming from the air tank is controlled by the regulator knob. Turn the pressure regulation knob clockwise to increase discharge pressure, and counterclockwise to decrease discharge pressure.

OPTIONAL OUTLET PRESSURE GAUGE: The outlet pressure gauge indicates the air pressure available at the outlet side of the regulator. This pressure is controlled by the regulator and is always less or equal to the air tank pressure.

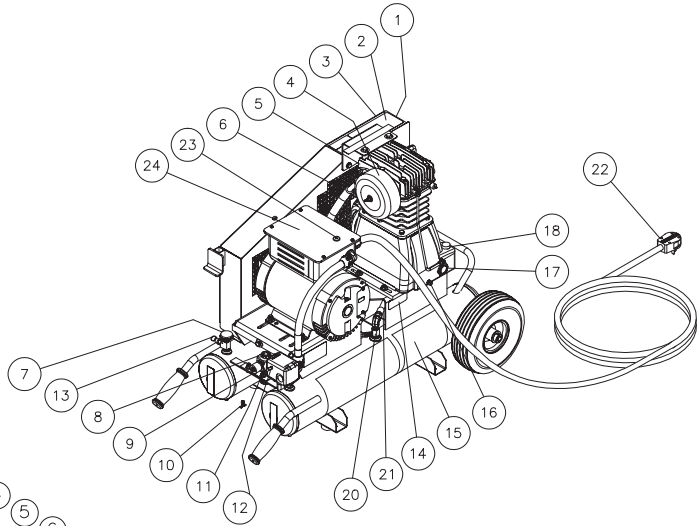
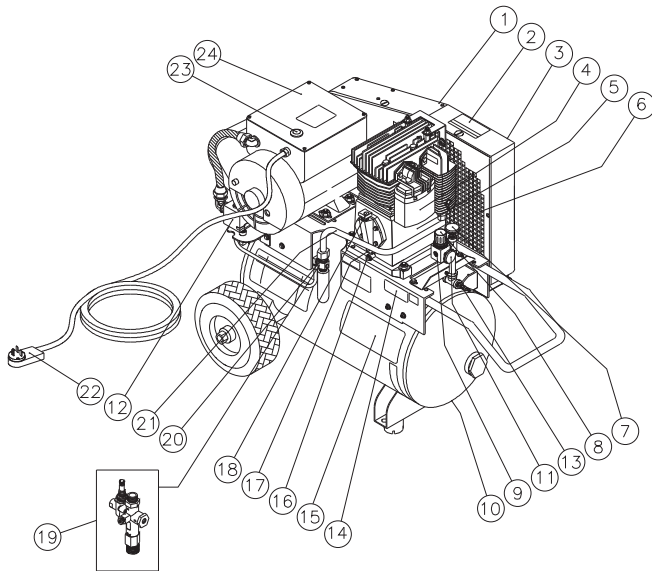
OPTIONAL PILOT VALVE: When the adjusting knob is turned completely clockwise to the fully closed position, the air compressor operates in the Start/Stop position. When the adjusting knob is turned completely counterclockwise to the fully open position, the air compressor operates in the constant run position.

ELECTRIC AIR COMPRESSOR FEATURES (TWO STAGE)

AC2-PE05-08G-FEATURE-122700-EDW



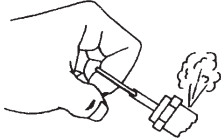
AC2-PE05-20G-FEATURE-122700-EDW



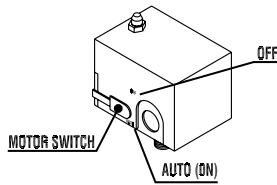
AS2-PE05-08 FEATURES-122704-DLG

1. Beltguard
2. Decal- Warning: Risk of Injury
3. Decal- Warning: Beltguard in Place
4. Air Intake Filter
5. Air Compressor Pump
6. Ventilation Openings
7. Air Tank Pressure Gauge
8. Pressure Regulator
9. Outlet Fitting
10. Air Tank Drain Valve (s)
11. Outlet Pressure Gauge
12. Motor/Pressure Switch
13. Safety Relief Valve
14. Decal- Warning: Hot
15. Decal- Danger/Warning/Caution
16. Pump Oil Drain
17. Oil Sight Glass
18. Oil Fill Port Vent
19. Pilot Valve (Optional)
20. Check Valve
21. Pump Discharge Line
22. Electric Power Cord
23. Motor Thermal Overload
24. Electric Motor

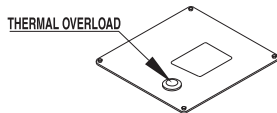
EXPLODED VIEW & EXPLANATION OF AIR COMPRESSOR FEATURES



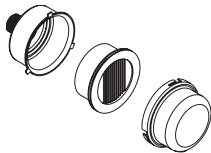
SAFETY RELIEF VALVE: This valve is designed to prevent system failures by relieving pressure from the system when the compressed air reaches a predetermined level. The valve is preset by the manufacturer and must not be modified in any way. To verify the valve is working properly, pull on the ring. Air pressure should escape. When the ring is released, it will reset.



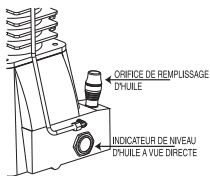
MOTOR/PRESSURE SWITCH: This switch is used to start or stop the air compressor. Moving the switch to the "Auto" (On) position will provide automatic power to the pressure switch which will allow the motor to start when the air tank pressure is below the factory set "cut-in" pressure. When in the Start/Stop Option, the pressure switch stops the motor when the air tank pressure reaches the factory set "cut-out" pressure. For safety purposes, this switch also has a pressure release valve located on the side of the switch designed to automatically release compressed air from the air compressor pump head and its discharge line when the air compressor reaches "cut-out" pressure or is shut off. This allows the motor to restart freely. Moving the switch to the "Off" position will remove power from the pressure switch and stop the air compressor.



MOTOR THERMAL OVERLOAD: The electric motor has a manual thermal overload protector. If the motor overheats for any reason, the thermal overload will cut off power, thus preventing the motor from being damaged. Wait until the motor is cool before pressing the thermal overload button to reset and begin working again.



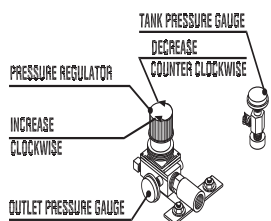
AIR INTAKE FILTER: This filter is designed to clean air coming into the pump. To ensure the pump continually receives a clean, cool, dry air supply this filter must always be clean and ventilation opening free from obstructions. Replace filter element when necessary.



OIL FILL PORT/VENT: Pour oil into the Oil Fill Port/Vent when required.

OIL SIGHT GLASS: The Oil Sight Glass displays the oil level in the pump. The oil level should be at the center of the Oil Sight Glass. If low, add SAE 30W non-detergent oil.

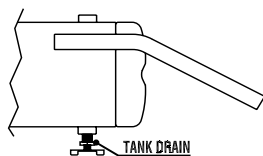
AIR COMPRESSOR PUMP: A two stage compressor pump uses two different size cylinders with the intake valve of the second smaller cylinder linked to the exhaust valve of the first larger cylinder. On the down stroke of the large cylinder, air is drawn through the intake valve while the exhaust valve remains closed. On the upstroke, air is compressed, the intake valve closes and compressed air is forced out through the exhaust valve, into the inter cooler and through the intake valve of the second smaller cylinder on its down stroke. On the upstroke of the smaller cylinder, the intake valve closes and the compressed air is compressed a second time and forced out the exhaust valve into the discharge line, through the tank check valve and into the air tank.



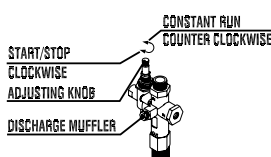
AIR TANK PRESSURE GAUGE: The air tank pressure gauge indicates the reserve air pressure in the air tank (s).

PRESSURE REGULATOR: The air pressure coming from the air tank is controlled by the regulator knob. Turn the pressure regulation knob clockwise to increase discharge pressure, and counterclockwise to decrease discharge pressure.

OUTLET PRESSURE GAUGE: The outlet pressure gauge indicates the air pressure available at the outlet side of the regulator. This pressure is controlled by the regulator and is always less or equal to the air tank pressure.



AIR TANK DRAIN VALVE: The drain valve is used to remove moisture from the air tank(s) after the air compressor is shut off. **NEVER attempt to open the drain valve when more than 10 PSI of air pressure is in the air tank!** To open the drain valve, turn the knob counterclockwise.



PILOT VALVE OPTION: When the adjusting knob is turned completely clockwise to the fully closed position, the air compressor operates in the Start/Stop position. When the adjusting knob is turned completely counterclockwise to the fully open position, the air compressor operates in the constant run position.

WARNING

THE FOLLOWING PAGES CONTAIN OPERATING AND MAINTENANCE INSTRUCTIONS.

DO NOT ATTEMPT TO OPERATE THIS AIR COMPRESSOR UNTIL YOU HAVE READ AND UNDERSTOOD ALL SAFETY PRECAUTIONS AND INSTRUCTIONS LISTED IN THIS MANUAL.

INCORRECT OPERATION OF THIS UNIT CAN CAUSE SERIOUS INJURY!!

DO NOT ALTER OR MODIFY THIS EQUIPMENT IN ANY MANNER!

PREPARATION INSTRUCTIONS

INITIAL SET-UP:

1. Read safety warnings before setting-up air compressor.
2. Ensure the oil level in the air compressor pump is adequate. If low, add SAE-30W non-detergent oil.

LOCATION:

1. In order to avoid damaging the air compressor, do not incline the air compressor transversely or longitudinally more than 10°.
2. Place air compressor at least 12 inches away from obstacles that may prevent proper ventilation. Do not place air compressor in an area:
 - where there is evidence of oil or gas leaks.
 - where flammable gas vapors or materials may be present.
 - where air temperatures fall below 32°F or exceed 104°F.
 - where extremely dirty air or water could be drawn into the air compressor.

 **WARNING** 
**RISK OF EXPLOSION OR FIRE
CAUSING SERIOUS INJURY
OR DEATH!**

Do not allow the motor or Motor/Pressure Switch to come in contact with flammable vapors, combustible dust, gases or other combustible materials. An electric spark may cause an explosion or fire.

When using the air compressor for spray painting, place the air compressor as far away from the work area as possible, using extra air hoses instead of extension cords.

 **DANGER**
RISK OF ELECTROCUTION!

Improper connection of the equipment-grounding conductor can result in a risk of shock or electrocution. Check with a qualified electrician or service personnel if you are in doubt as to whether the outlet is properly grounded. Do not use any type of adapter with this product. If repair or replacement of the cord or plug is necessary, do not connect the grounding wire to either flat blade terminal. The wire with insulation having an outer surface that is green with or without yellow stripes is the

ELECTRICAL:

1. USE OF AN EXTENSION CORD IS NOT RECOMMENDED because it could cause the compressor motor to overheat. It's preferable to use additional air hose instead of an extension cord.
2. If use of an extension cord is unavoidable, be sure to use one heavy enough to carry the current your compressor will draw. Minimum cord sizes is as follows:

| Cord Length | Wire Gauge |
|-----------------|------------|
| Up to 25 Feet | 12 AWG |
| 26 to 100 Feet | 10 AWG |
| 101 to 150 Feet | 8 AWG |
| 151 to 250 Feet | 6 AWG |

 **WARNING**
RISK OF ELECTRICAL SHOCK!

This product must be grounded. If there should be a malfunction or breakdown, grounding provides a path of least resistance for electric current to reduce the risk of electric shock. This product is equipped with a cord having an equipment-grounding conductor and a grounding type plug. The plug must be plugged into an appropriate outlet that is properly installed and grounded in accordance with all local codes and ordinances.

3. Use only a 3-wire extension cord that has a 3-blade grounding plug and a 3-slot receptacle that will accept the plug on the compressor.
4. Examine cords before using. Do not use the compressor if its cord is damaged. Do not use a damaged extension cord.
5. Keep cords away from heat and sharp edges. Do not pull on a cord to disconnect a plug -- grasp the plug.
6. Always shut off the compressor Pressure Switch before unplugging the compressor.

PRE-START CHECKLIST:

1. Check oil level. Add if necessary.
2. Remove any moisture in the air compressor air tank. **NEVER attempt to open the Air Tank Drain Valve when more than 10 PSI of air pressure is in the air tank!** Remove excessive pressure with an air tool, then open the Air Tank Drain Valve in the bottom of the air tank. Close tightly when drained.
3. Make sure the Motor/Pressure Switch is in the "OFF" position.
4. Make sure the Safety Relief Valve is working correctly.
5. Make sure all guards and covers are in place and securely mounted.

 **WARNING**
RISK OF BODILY INJURY!

Never attempt to open the Air Tank Drain Valve when more than 10 PSI of air pressure is in the air tank!

OPERATING INSTRUCTIONS

START-UP:

1. Read safety warnings before performing operation.
2. Ensure the Motor/Pressure Switch is in the "OFF" position.
3. Plug the Power Cord into a grounded outlet.
4. Move the Motor/Pressure Switch to the "AUTO" position.

AX- OPTION: Locate the adjustment knob at the top of the Pilot Valve.

-Turn it completely clockwise to the fully closed position. This will allow the air compressor to start building up pressure in the air tanks and stop when correct pressure is achieved. When pressure drops with usage, the air compressor will start building up pressure again.

-Turn it completely counterclockwise to the fully open position. The air compressor is now set up to "CONSTANTLY" build up pressure. When pressure reaches the preset level in the air tank, pressure will bleed through the Pilot Valve.

5. Set pressure by adjusting the Pressure Regulator counterclockwise for less pressure and clockwise for more pressure.
 6. If you notice any unusual noise or vibration, stop the air compressor and refer to "Troubleshooting".
-


SHUTDOWN:

1. To stop the air compressor, move the Motor/Pressure Switch to the "OFF" position. NEVER stop the air compressor by unplugging it from the power source. This could result in risk of electrocution.
2. Drain air from the air tanks by releasing air with an attached air tool or by pulling on the Safety Relief Valve.
3. Once the Air Tank Pressure Gauge registers under 10 pounds, open the Air Tank Drain Valve under each air tank to drain any moisture.
4. Allow the air compressor to cool down.
5. Wipe the air compressor clean and store in a safe, non-freezing area.

MAINTENANCE INSTRUCTIONS

Read the instruction manual before performing maintenance. The following procedures must be performed when stopping the air compressor for maintenance or service.

1. Turn off air compressor.
2. Disconnect Power Cord from main power supply.
3. Open all drains.
4. Wait for the air compressor to cool before starting service.

 **WARNING**
RISK OF BODILY INJURY!

Never assume the air compressor is safe to work on just because it is not operating. It could restart at any time!

AC Ele. Maintenance Chart

| MAINTENANCE CHART | | | | |
|------------------------------------|-------|--------|---------|-----------|
| PROCEDURE | DAILY | WEEKLY | MONTHLY | 200 HOURS |
| Check pump oil level | X | | | |
| Oil leak inspection | X | | | |
| Drain condensation in air tank (s) | X | | | |
| Inspect guards/covers | X | | | |
| Check for unusual noise/vibration | X | | | |
| Check for air leaks | X | | | |
| Clean exterior of compressor | | X | | |
| Inspect air filter | | X | | |
| Inspect belt | | | X | |
| Check safety relief valve | | | X | |
| Change pump oil * | | | | X |
| Replace air filter | | | | X |

*The pump oil must be changed after the first 50 hours of operation and every 200 hours or 3 months, whichever comes first.

Every two years, an Authorized Service Technician should check the check valve, intake valves and delivery valves.

TROUBLESHOOTING

| SYMPTOM | PROBABLE CAUSE | REMEDY |
|---|---|--|
| Air compressor will not start. | Power Cord not plugged in. | Plug Power Cord into a grounded outlet. |
| | Motor/Pressure Switch turned "OFF". | Move Motor/Pressure Switch to "AUTO" position. |
| | Motor Thermal Overload tripped on air compressor. | Turn unit off, wait 5 minutes, then press Motor Thermal Overload until click is heard. |
| | Circuit breaker tripped or fuse blown at power source. | Reset circuit breaker or replace fuse if necessary, using only "Fusetron" type T fuses. Check for low voltage conditions. Disconnect any other electrical appliances from circuit or operate air compressor on its own branch circuit. |
| | Lack of oil in the air compressor. | Add oil. (See page 9 or 11) |
| | Extension cord is too small. | Use additional air hose instead of extension cord, or use proper wire gauge and cord length. (See page 12) |
| | Motor voltage does not match power source. | Contact your Customer Service. |
| | Air tank pressure achieved the "Maximum setting" or "Stop pressure" of the Motor/Pressure Switch. | When Pilot Valve is set in the Start/ Stop position, motor will start automatically when air tank pressure drops down to the "Cut-in" or "Start" pressure of the Motor/Pressure Switch. |
| | Pressure release valve on Motor/ Pressure Switch has not unloaded pump head pressure. | Bleed the line by moving the switch to the "Off" position. |
| | Pilot valve's check valve stuck open. | Remove and clean or replace. |
| Defective motor, or Motor/Pressure Switch. | Contact your Customer Service. | |
| Air compressor will not start, but motor hums, then stops. | Extension cord too small. | Use additional air hose instead of extension cord, or use proper wire gauge and cord length. (See page 12) |
| | Loose electrical connection. | Contact qualified electrician. |
| | Improper ventilation. | Move unit to well ventilated area. |
| | Oil weight too heavy. | Use lighter weight oil. (See pg. 9 or 11) |
| | Too many appliances being operated on same circuit. | Use another circuit or remove excess appliances from circuit. |
| | Incorrect voltage, incorrect sized circuit breaker, fuse or motor. Defective motor. | Contact qualified electrician. |
| | Defective Check Valve or Motor/ Pressure Switch. | Replace. |
| Air compressor does not stop even though the maximum pressure allowed has been reached. | Motor/Pressure Switch not operating correctly. | Replace. |

TROUBLESHOOTING

| SYMPTOM | PROBABLE CAUSE | REMEDY |
|---|---|--|
| Noisy operation. | Loose motor pulley or pump flywheel. | Tighten pulley and or flywheel. |
| | Lack of oil in the pump. | Add correct amount of oil. Check for bearing damage. |
| | Carbon deposits on pistons or valves. | Remove cylinder head and inspect. Clean or replace valve plate. |
| | Bearing, piston or connecting rod failure. | STOP THE AIR COMPRESSOR! Contact your Manufacturer Customer Service. |
| Pressure drop in air tank or rapid pressure loss when air compressor is shut off. | Air leaks at connections. | Allow the air compressor to build pressure to the maximum allowed. Turn off and brush a soapy water solution onto all connections. Check connections for air bubbles. Tighten the connections where leaks are present. |
| | Defective Check Valve or Pilot Valve. | Remove, clean or replace. |
| | Air leak in air tank. | Air tank must be replaced. Do not attempt to repair air tank! |
| Insufficient pressure at air tool or accessory. | Air leaks or restrictions. | Check for leaks and repair. |
| | Restricted air intake filter. | Clean or replace. |
| | Hose or hose connections are too small or long. | Replace with larger hose or connectors. |
| | Air compressor is not large enough for air requirement. | Use a smaller tool or larger air compressor. |
| | Pressure Regulator not turned to high enough pressure or defective. | Adjust Pressure Regulator to proper setting or replace. |
| | Slipping belt. | Tighten or replace. |
| Air leaks from Safety Relief Valve. | Possible defective Safety Relief Valve. | Operate Safety Relief Valve manually by pulling on ring. If it still leaks, it should be replaced. |
| | Excessive air tank pressure. | Replace Motor/Pressure Switch. Clean, reset or replace Pilot Valve. |
| Air leaks at pump. | Defective gaskets. | Torque head bolts: Single Stage= 17 ft./lbs. Two Stage= 33 ft./lbs. |
| Air continues to leak at Motor/ Pressure Switch while motor is running. | Defective Motor/Pressure Switch. | Replace. |
| Air blowing from Air Intake Filter. | Damaged inlet (reed) valve. | Replace. |

TROUBLESHOOTING

| SYMPTOM | PROBABLE CAUSE | REMEDY |
|---|---|---|
| When in the Start/Stop Option, motor runs continuously. | Motor/Pressure Switch does not shut off motor when air compressor reaches "cut-out" pressure and safety relief valve activates. | Move the Motor/Pressure Switch to the "OFF" position. If the motor does not shut off, unplug the air compressor. If the electrical contacts are welded together, replace the pressure switch. |
| | Air compressor is incorrectly sized. | Limit the air pressure to the capacity of the air compressor. Either use a smaller tool or a larger air compressor. |
| Moisture in discharge air. | Condensation in air tank caused by high level of atmospheric humidity. | Run air compressor a minimum of one hour to prevent condensation buildup. Drain air tank after every use. Drain air tank more often in humid weather and use an air line filter. |
| Excessive oil consumption or oil in hose. | Restricted air intake filter. | Clean or replace. |
| | Air compressor on unlevel surface. | Do not incline the air compressor more than 10° in any direction while running. |
| | Crankcase overfilled with oil. | Drain oil. Refill to proper level with SAE-30W non-detergent oil. |
| | Wrong viscosity. | Drain oil. Refill to proper level with SAE-30W non-detergent oil. |
| | Plugged oil dipstick vent. | Clean. |
| | Oil leaks. | Tighten pump bolts to torque stated in Parts List, or replace gaskets. |
| | Worn piston rings or scored cylinder. | Contact your Customer Service. |
| Oil has milky appearance. | Water in oil due to condensation. | Change oil and move air compressor to a less humid environment. |
| Unit runs backward. | Reversed wiring. | Contact qualified electrician. |

STATEMENT OF WARRANTY

The manufacturer warrants all parts, (except those referred to below), of your new air compressor to be free from defects in materials and workmanship during the following periods:

For One (1) Year from the date of original purchase:

| | |
|-----------------|------------|
| Compressor Pump | Plumbing |
| Tank Assembly | Capacitors |
| | Power Cord |

For Ninety (90) days from the date of original purchase:

| | |
|-----------------|------------------------|
| Pressure Gauges | Pressure Relief Valves |
| Drain Valves | Regulators |

Defective parts not subject to normal wear and tear will be repaired or replaced at our option during the warranty period. In any event, reimbursement is limited to the purchase price paid.

EXCLUSIONS

1. Motor is covered under separate warranty by its respective manufacturer and is subject to the terms set forth therein.
2. Normal wear parts:
Isolators Air Filter
3. This warranty does not cover parts damaged due to normal wear, abnormal conditions, misapplication, misuse, accidents, operation at other than recommended voltage, pressures or temperature, improper storage or freight damage. Parts damaged or worn by operation in dusty environments are not warranted. Failure to follow recommended operating and maintenance procedures also voids warranty.
4. Labor charges, loss or damage resulting from improper operation, maintenance (other than routine air tank draining and oil changes, if applicable) or repairs made by persons other than a Authorized Service Center.
5. The use of other than Genuine Manufacturer Repair Parts will void warranty. Parts returned, prepaid to our factory or to an Authorized Service Center will be inspected and replaced free of charge if found to be defective and subject to warranty. Under no circumstances shall the manufacturer bear any responsibility for loss of use of the unit, loss of time or rental, inconvenience, commercial loss or consequential damages. There are no warranties which extend beyond the description of the face hereof.

For Service or Warranty Consideration, contact
Mi-T-M® Corporation, 8650 Enterprise Drive, Peosta, IA 52068
1-877-JD-KLEEN / (1-877-535-5336) Fax 563-556-1235
Monday - Friday 8:00 a.m. - 5:00 p.m. CST

NOTES

NOTES

TABLE DES MATIERES

| | |
|--|--------------------|
| INTRODUCTION | 23 |
| IMPORTANT | 23 |
| INSPECTION | 23 |
| IMPORTANTES CONSIGNES DE SECURITE | 24-27 |
| RISQUE DE DÉCHARGE ÉLECTRIQUE OU D'ÉLECTROCUTION | 24 |
| RISQUE D'EXPLOSION OU D'INCENDIE | 25 |
| RISQUE D'ÉCLATEMENT | 25 |
| RISQUE DE PROBLÈMES RESPIRATOIRES | 26 |
| RISQUE DE BRÛLURES | 26 |
| RISQUE DE PROJECTION D'OBJETS..... | 26 |
| RISQUE PROVENANT DE PIÈCES MOBILES..... | 27 |
| RISQUE RÉSULTANT DE NÉGLIGENCE..... | 27 |
| RISQUE DE DÉGATS AU COMPRESSEUR D'AIR | 27 |
| DESSINS DES COMPOSANTS | 28 & 30 |
| REVUE DES COMPOSANTS | 29 & 31 |
| INSTRUCTIONS DE PREPARATION | 33-34 |
| INSTALLATION INITIALE | 33 |
| EMPLACEMENT..... | 33 |
| ELECTRIQUE | 33 |
| POINTS DE CONTRÔLE AVANT DÉMARRAGE | 34 |
| INSTRUCTIONS D'UTILISATION | 34 |
| MISE EN MARCHÉ..... | 34 |
| MISE À L'ARRÊT | 34 |
| INSTRUCTIONS D'ENTRETIEN | 35 |
| DEPANNAGE | 36-38 |
| BON DE GARANTIE | 39 |



AVERTISSEMENT

Ce produit contient un ou plusieurs produits chimiques qui sont connus par l'état de Californie comme étant la cause de cancer, de défauts de naissance et d'autres problèmes reproductifs.

INTRODUCTION

Félicitations de l'achat de votre nouveau compresseur d'air! Vous pouvez être assuré que votre nouveau compresseur a été construit avec le plus haut niveau de précision et de fiabilité. Chaque composant a été rigoureusement testé par des techniciens pour assurer la qualité, la durabilité et la performance de ce compresseur d'air.

Ce manuel opérateur a été dressé pour que vous en retiriez le meilleur parti. Par la lecture et l'application des mesures simples de sécurité, d'installation et d'opération, d'entretien et de dépannage décrites dans ce manuel, votre nouveau compresseur d'air fonctionnera sans faille pendant de nombreuses années. Le contenu de ce manuel est basé sur la dernière information disponible du produit au moment de la publication. Le fabricant se réserve le droit d'effectuer des changements de prix, de couleur, de matériaux, d'équipement, de caractéristiques ou de modèles à tout moment sans communication préalable.



IMPORTANT!

Les avertissements de sécurité "DANGER, AVERTISSEMENT ou ATTENTION" seront entourés par un "ENCADRE ALERTE SECURITE". Cet encadré est utilisé pour indiquer et souligner les avertissements de sécurité qui doivent être suivis en actionnant ce compresseur d'air. En plus des avertissements de sécurité, des "mots d'alerte" sont utilisés pour indiquer le degré ou niveau de risque. Les "mots d'alerte" utilisés dans ce manuel sont comme suit:



DANGER: Indique une situation au danger imminent qui, si elle n'est pas évitée, ENTRAINERA la mort ou des blessures graves.



AVERTISSEMENT: Indique une situation potentiellement dangereuse qui, si elle n'est pas évitée, POURRAIT entraîner la mort ou des blessures graves.



ATTENTION: Indique une situation potentiellement dangereuse, qui, si elle n'est pas évitée, PEUT entraîner des blessures mineures ou peu graves et des dégâts au compresseur.



Les symboles placés à gauche de ce paragraphe sont des "symboles d'alerte de sécurité". Ces symboles sont utilisés pour souligner les points ou les procédures qui pourraient être dangereuses pour vous ou tout autre personne utilisant cet équipement.

Fournissez toujours une copie de ce manuel à toute personne utilisant cet équipement. Lisez toutes les instructions dans ce manuel et toutes instructions fournies par les fabricants d'équipement de support avant d'utiliser ce compresseur d'air et attirer spécialement l'attention aux "Avertissements de Sécurité" pour éviter la possibilité de blessures pour l'utilisateur.

Une fois l'appareil déballé, écrivez immédiatement le numéro de série de votre appareil dans l'espace ci-dessous.

NUMERO DE SERIE _____

Assurez-vous qu'il n'y a pas de signes de dommages évidents ou cachés suite au transport. En cas de dommage, remplissez immédiatement une réclamation avec la compagnie de transport. Assurez-vous que toutes les pièces endommagées sont remplacées et les problèmes mécaniques et électriques corrigés avant l'utilisation de l'appareil. Si vous avez besoin d'assistance, entrez en contact avec votre service clientèle.

Mi-T-M® Corporation, 8650 Enterprise Drive, Peosta, IA 52068
1-877-JD-KLEEN / (1-877-535-5336) Fax 319-556-1235
du lundi au vendredi de 8h00 à 17h, CST (heure centrale)

Veuillez avoir les informations suivantes disponibles pour toute intervention:


1. Numéro de modèle
2. Numéro de série
3. Date et lieu d'achat



IMPORTANTES CONSIGNES DE SECURITE

AVERTISSEMENT: Lors de l'utilisation de cet appareil, des précautions de base doivent toujours être observées incluant les suivantes: lire attentivement les consignes de sécurité avant d'utiliser ce compresseur.

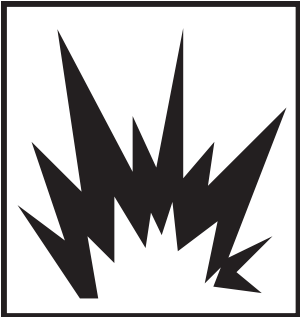

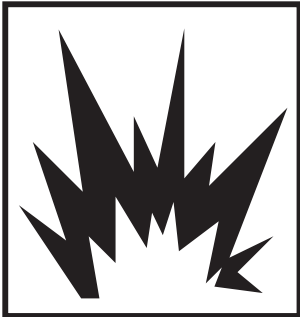


| RISQUE | CONSEQUENCE POTENTIELLE | PREVENTION |
|--|---|--|
| <p data-bbox="191 285 505 373">RISQUE DE DECHARGE ELECTRIQUE OU D'ELECTROCUTION</p>  | <p data-bbox="570 285 959 562">Des risques de mort ou de blessures graves peuvent survenir si le compresseur n'est pas relié à la terre correctement. Votre compresseur est alimenté à l'électricité et il y a risque de décharge électrique ou d'électrocution si l'appareil n'est pas utilisé adéquatement.</p> <p data-bbox="570 583 959 646">Une décharge électrique peut se produire par le fil électrique.</p> <p data-bbox="570 1094 959 1178">Une décharge électrique peut se produire si le compresseur n'est pas utilisé correctement.</p> <p data-bbox="570 1377 976 1535">Des risques de mort ou de blessures graves peuvent survenir si des réparations électriques sont effectuées par des personnes incompetentes.</p> | <p data-bbox="1000 285 1406 443">Assurez-vous que le compresseur est relié à une prise correctement mise à la terre qui fournit une tension et un coupe circuit adéquats. Débrancher en cas de non-utilisation.</p> <p data-bbox="1000 583 1422 720">Vérifier que le cordon d'alimentation n'a pas d'écrasement, de coupures ou de dommages résultant de la chaleur. Remplacer le cordon électrique abimé avant utilisation.</p> <p data-bbox="1000 751 1390 972">Garder tous les branchements au sec et au dessus du sol. Ne pas permettre aux fils électriques de tremper dans l'eau ou de se retrouver dans une position telle que le contact avec l'eau serait possible. Ne pas toucher la prise avec les mains mouillées.</p> <p data-bbox="1000 1003 1422 1056">Ne pas tirer sur le fil électrique pour le débrancher de la prise.</p> <p data-bbox="1000 1087 1398 1192">Ne jamais faire fonctionner le compresseur dans des conditions humides ou à l'extérieur quand il pleut.</p> <p data-bbox="1000 1224 1422 1339">Ne jamais faire fonctionner le compresseur sans les gardes de sécurité/les caches de protection ou si les gardes sont endommagées.</p> <p data-bbox="1000 1371 1390 1560">Toutes réparations ou tout câblage électrique effectués sur le compresseur doivent être effectués par le personnel d'un centre de service autorisé qualifié conformément aux codes d'électricité locaux et nationaux.</p> <p data-bbox="1000 1591 1422 1927">Avant d'ouvrir n'importe quel boîtier électrique, s'assurer que le compresseur est à l'arrêt, relâcher la pression et débrancher le compresseur de la source d'énergie. Laisser le compresseur refroidir. Ne parlez pas du principe qu'il est sans risque d'effectuer un travail sur le compresseur alors qu'il est à l'arrêt. Il pourrait se remettre en marche à tout moment! Tout travail doit s'effectuer dans un endroit propre, sec et plat.</p> |



IMPORTANTES CONSIGNES DE SECURITE
LIRE TOUTES LES CONSIGNES DE SECURITE AVANT D'UTILISER
CE COMPRESSEUR






| RISQUE | CONSEQUENCE POTENTIELLE | PREVENTION |
|---|---|---|
| <p align="center">RISQUE D'EXPLOSION OU D'INCENDIE</p>   | <p>Des risques de mort ou de blessures graves peuvent survenir à la suite d'étincelles électriques normales dans le moteur et l'interrupteur de pression.</p> <p>Toute obstruction aux événements du compresseur peut provoquer une surchauffe importante et risque d'entraîner un incendie, et également, en conséquence, des blessures graves.</p> | <p>Toujours faire fonctionner le compresseur dans un endroit bien ventilé, libre de vapeurs inflammables, de poussière combustible, de gaz, ou d'autres matériaux combustibles.</p> <p>NE PAS FUMER si vous pulvérisiez une matière inflammable! Placer le compresseur à au moins 20 pieds (6.09 M) de l'aire de vaporisation. (L'addition d'un tuyau supplémentaire peut être nécessaire.)</p> <p>Ne jamais placer d'objets contre ou sur le dessus du compresseur. Afin d'éviter de nuire à la circulation d'air, faire fonctionner le compresseur dans un endroit ouvert d'au moins 12 pouces (30 cm) de tout mur ou de toutes obstructions.</p> |
| <p align="center">RISQUE D'ECLATEMENT</p>  | <p>Des risques de mort ou de blessures graves peuvent survenir à la suite d'une explosion du réservoir d'air si les réservoirs d'air ne sont pas entretenus correctement.</p> <p>Des blessures graves peuvent survenir suite à une dysfonction du compresseur ou à l'explosion d'accessoires si des composants du système, des rajouts ou des accessoires incorrects sont utilisés.</p> | <p>Vider le réservoir d'air quotidiennement ou après chaque utilisation afin d'éviter l'accumulation d'humidité.</p> <p>Si le réservoir d'air présente une fuite, le remplacer immédiatement. Ne jamais faire de réparations, de soudures ou de modifications au réservoir d'air ou à ses accessoires. N'utiliser que les pièces détachées de votre concessionnaire John Deere pour réparer votre compresseur.</p> <p>Ne jamais modifier les pressions établies en usine.</p> <p>Ne jamais excéder la valeur maximale de pression recommandée des accessoires établis par le fabricant.</p> <p>En raison de la chaleur extrême, ne pas utiliser de tuyau en plastique ou de joints soudés à l'étain/fer pour la conduite de décharge.</p> <p>Ne jamais utiliser le compresseur pour gonfler de petits objets à faible pression tels que les jouets d'enfants.</p> |



IMPORTANTES CONSIGNES DE SECURITE

LISER TOUTES LES CONSIGNES DE SECURITE AVANT D'UTILISER LE COMPRESSEUR D'AIR




| RISQUE | CONSEQUENCE POTENTIELLE | PREVENTION |
|---|---|--|
| <p>RISQUE DE PROBLEME RESPIRATOIRE</p>  | <p>Respirer l'air comprimé peut entraîner des blessures graves allant jusqu'à la mort. Le jet d'air peut contenir de l'oxyde de carbone, des vapeurs toxiques, ainsi que des particules solides.</p> <p>Les matériaux pulvérisés tels que la peinture, les solvants de peinture, les décapants, les insecticides, les désherbants et autre contiennent des vapeurs nocives et toxiques.</p> | <p>Ne jamais inhaler l'air émis par le compresseur, que ce soit directement ou au moyen d'un dispositif respirateur branché au compresseur.</p> <p>N'utiliser l'appareil que dans un endroit bien aéré. Suivre toutes les instructions de sécurité données avec les matériaux que vous pulvérisiez. L'usage d'un masque respiratoire peut être nécessaire quand vous travaillez avec certains matériaux.</p> |
| <p>RISQUE DE BRULURES</p>  | <p>Le fait de toucher les surfaces de métal exposées peut causer de graves blessure. Ces surfaces peuvent rester chaudes pendant un certain temps après l'arrêt du compresseur.</p> | <p>Ne jamais laisser aucune partie de votre corps ou autre matériaux entrer en contact avec les surfaces de métal exposées de votre compresseur.</p> |
| <p>RISQUE DE PROJECTION D'OBJETS</p>  | <p>Le jet d'air comprimé peut causer des lésions aux tissus de la peau exposée.</p> <p>Des blessures graves peuvent être provoquées par des débris solides projetés à grande vitesse par le jet d'air comprimé.</p> | <p>Porter toujours des lunettes protectrices afin de vous protéger les yeux contre les projections de débris.</p> <p>Ne jamais diriger le jet d'air vers votre corps, d'autres individus ou des animaux.</p> <p>Ne jamais laisser d'air sous pression dans le compresseur. Mettez vous à la position arrêt et relâchez la pression avant de ranger ou d'entamer l'entretien de votre appareil.</p> <p>Ecarter toute personne ou animal de la zone d'utilisation quand vous travaillez.</p> <p>Ne jamais déplacer le compresseur lorsque le réservoir d'air est sous pression. N'essayer pas de déplacer l'appareil en tirant sur le tuyau.</p> |



IMPORTANTES CONSIGNES DE SECURITE

LISER TOUTES LES CONSIGNES DE SECURITE AVANT D'UTILISER LE COMPRESSEUR D'AIR



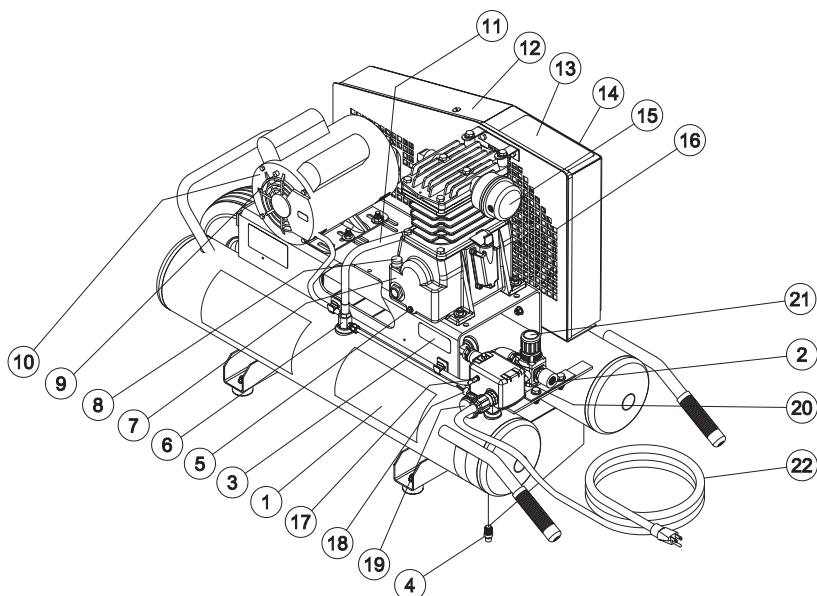
| RISQUE | CONSEQUENCE POTENTIELLE | PREVENTION |
|---|---|--|
| <p>RISQUE CAUSE PAR LES PIÈCES MOBILES</p>  | <p>Risque de blessures corporelles causé par les pièces mobiles. Ce compresseur fonctionne automatiquement quand l'interrupteur pression est en position "Marche/Auto".</p> | <p>Avant de procéder à <u>l'entretien</u>, veuiller toujours éteindre l'appareil. Purger la pression dans le tuyau d'air et débrancher le cordon électrique de la prise. Toutes <u>les réparations</u> du compresseur d'air doivent être effectuées par une agence agréée de service après vente. Ne parlez pas du principe qu'il est sans risque d'effectuer un travail sur le compresseur alors qu'il est à l'arrêt. Il pourrait se remettre en marche à tout moment.</p> <p>Ne jamais faire fonctionner le compresseur sans gardes et caches de protection. Débrancher toujours le compresseur avant d'enlever toute garde de protection. Remplacer les gardes et caches de protection si elles sont endommagées avant de se servir du compresseur.</p> |
| <p>RISQUE RESULTANT DE LA NEGLIGENCE</p> | <p>Risque de blessures par utilisation négligente.</p> | <p>Le compresseur est interdit aux enfants et adolescents!</p> <p>Rester vigilant et attentif à vos gestes. Ne pas utiliser l'appareil sous l'effet de la fatigue ou sous l'influence d'alcool ou de drogues.</p> <p>Savoir arrêter le compresseur. Connaître à fond son fonctionnement.</p> |
| <p>RISQUE DE DEGATS AU COMPRESSEUR</p> | <p>Risque de réparations importantes.</p> | <p>N'utiliser jamais l'appareil sans filtre à air.</p> <p>Ne pas utiliser le compresseur dans un environnement corrosif.</p> <p>Ne faire fonctionner le compresseur que lorsqu'il est en position stable et ferme afin d'éviter la chute de l'appareil.</p> <p>Veuillez lire toutes les instructions d'entretien contenues dans ce manuel.</p> |



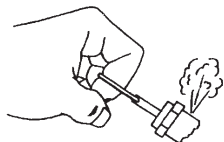
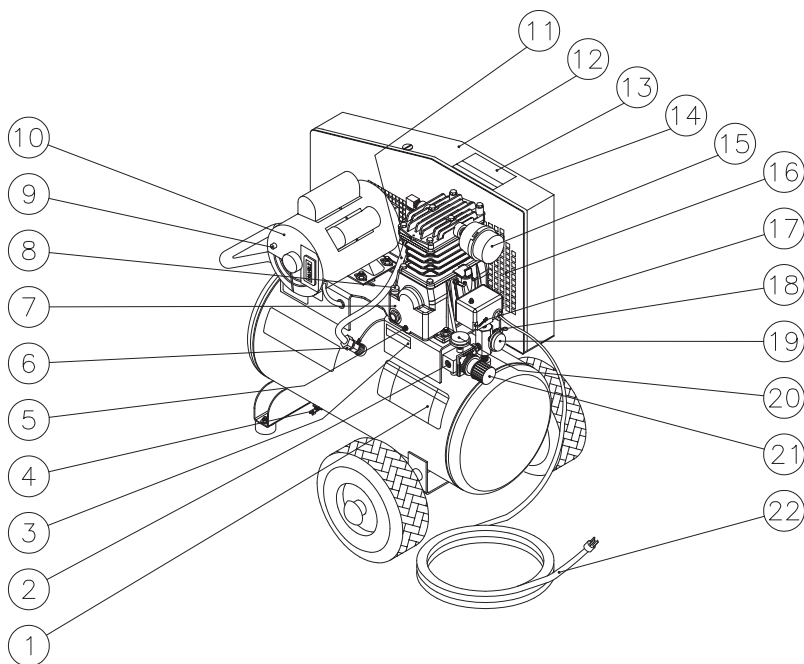
!GARDER CES INSTRUCTIONS!



COMPOSANTS DU COMPRESSEUR D'AIR ELECTRIQUE (ETAGE UNIQUE)

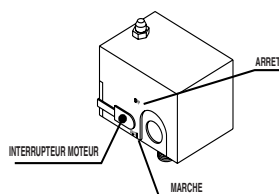


1. Décalque-Danger/Avertissement/Attention
2. Adaptateur de sortie
3. Décalque-Avertissement: Chaud
4. Robinet de purge du réservoir
5. Bouchon de vidange d'huile de la pompe
6. Soupape de retenue
7. Pompe du compresseur d'air
8. Orifice de remplissage d'huile
9. Moteur de Surcharge Thermique
10. Moteur électrique
11. Conduite de décharge de la pompe
12. Carter de courroie
13. Décalque-Avertissement: Risque de blessures
14. Décalque-Avertissement: Carter de courroie en place
15. Filtre d'admission d'air
16. Ouvertures de ventilation
17. Interrupteur Moteur/Pression
18. Soupape de sûreté
19. Manomètre du réservoir d'air
20. Manomètre de sortie
21. Régulateur de pression
22. Cordon de secteur électrique

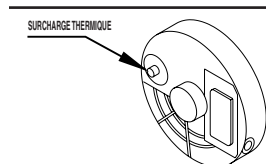


SOUPAPE DE SURETE: Cette soupape est conçue pour empêcher des pannes du système en diminuant la pression du système quand l'air comprimé atteint un niveau prédéterminé. La soupape est programmée par le fabricant et ne doit être modifiée en aucune façon. Pour vérifier que la soupape marche correctement, tirer sur l'anneau. De l'air sous pression devrait s'échapper. Quand l'anneau est relâché, il se remet en place.

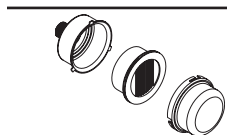
IMAGE DETAILLEE ET EXPLICATION DES COMPOSANTS DU COMPRESSEUR



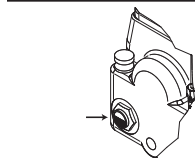
INTERRUPTEUR MOTEUR/PRESSION: Cet interrupteur est utilisé pour démarrer ou arrêter le compresseur. Mettre cet interrupteur en position de mise en marche (ON) fournira une mise sous tension automatique à l'interrupteur de pression ce qui permettra au moteur de démarrer quand la pression du réservoir d'air baissera sous "la pression d'enclenchement" établie en usine. Quand l'interrupteur est en option Marche/Arrêt, l'interrupteur arrête le moteur quand la pression du réservoir d'air atteint "la pression de coupe-circuit" établie en usine. Par raison de sécurité, cet interrupteur a aussi un détendeur de pression situé dans l'interrupteur et qui est conçu pour libérer automatiquement l'air comprimé de la tête de la pompe du compresseur et de sa conduite de décharge lorsque le compresseur atteint "la pression de coupe-circuit" ou qu'il est arrêté. Le détendeur de pression permet au moteur de redémarrer sans problème. Appuyer sur l'interrupteur pour le mettre en position d'arrêt (OFF) coupera le courant de l'interrupteur pression et arrêtera le compresseur d'air.



SURCHARGE THERMIQUE DU MOTEUR: Ce moteur électrique est muni d'un déclencheur de surcharge thermique manuel. Si le moteur surchauffe pour quelle que raison que ce soit, le déclencheur de surcharge thermique coupera automatiquement le contact afin que le moteur ne soit pas endommagé. Attendre que le moteur refroidisse avant d'appuyer sur le bouton de redémarrage de surcharge thermique et recommencer de travailler.



FILTRE D'ADMISSION D'AIR: Ce filtre est conçu pour nettoyer l'air qui entre dans la pompe. Pour assurer que la pompe reçoit en permanence un air propre, frais et sec, ce filtre doit toujours être propre et les ouvertures de ventilation libres de toute obstruction. Remplacer l'élément du filtre dès que nécessaire.

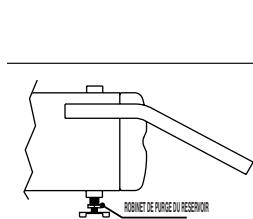


ORIFICE DE REMPLISSAGE D'HUILE: Versez de l'huile dans l'orifice de remplissage d'huile quand cela sera nécessaire.



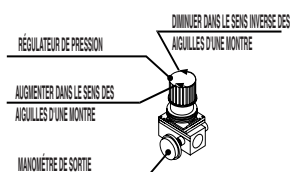
INDICATEUR DE NIVEAU D'HUILE A VUE DIRECTE: L'indicateur de niveau d'huile à vue directe indique le niveau d'huile dans la pompe. Le niveau d'huile doit être au centre de l'indicateur. Si le niveau d'huile est bas, ajouter de l'huile non détergente SAE30.

POMPE DU COMPRESSEUR D'AIR: Pour comprimer l'air, le piston se déplace de haut en bas dans le cylindre. Dans la course descendante, l'air entre dans les soupapes d'admission d'air pendant que les soupapes d'échappement d'air demeurent fermées. Dans la course ascendante, l'air est comprimé, la soupape d'admission se ferme et l'air comprimé est poussé vers les soupapes d'échappement, passe par la conduite de décharge puis, par la soupape de retenue et/ou la soupape pilote pour finalement aboutir dans le réservoir d'air.



MANOMETRE DU RESERVOIR D'AIR: Le manomètre du réservoir d'air indique la pression d'air en réserve dans le/les réservoir(s).

ROBINET DE PURGE DU RESERVOIR D'AIR: Le robinet de purge est utilisé pour enlever l'humidité du réservoir d'air à la fin de chaque emploi. **NE TENTER JAMAIS d'ouvrir le robinet de purge du réservoir d'air quand la pression qu'il contient dépasse 10 PSI (0.68 BAR)!** Pour ouvrir le robinet de purge, tourner le bouton dans le sens inverse des aiguilles d'une montre.

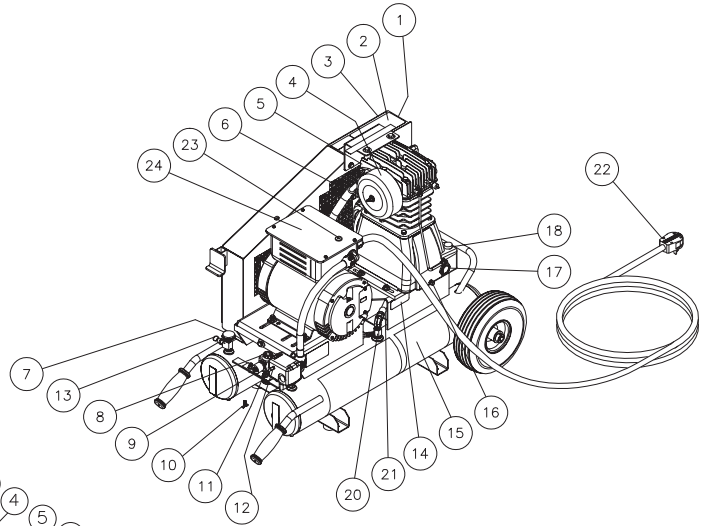


RÉGULATEUR DE PRESSION OPTIONEL: La pression d'air provenant du réservoir d'air est contrôlée par le bouton du régulateur. Tourner le bouton régularisateur de pression dans le sens des aiguilles d'une montre pour augmenter la pression de décharge, et dans le sens inverse des aiguilles d'une montre pour diminuer la pression de décharge.

MANOMETRE DE SORTIE OPTIONEL: Le manomètre de sortie indique la pression d'air disponible du côté de la sortie du régulateur. Cette pression est contrôlée par le régulateur et est toujours moindre ou égale à la pression du réservoir.

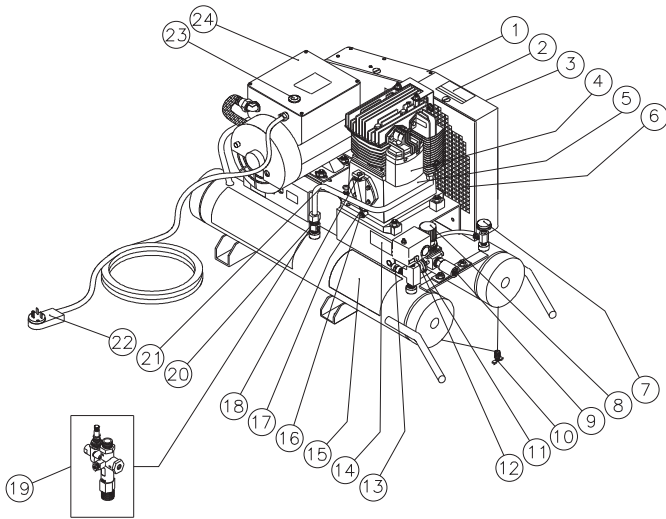
VALVE PILOTE OPTIONELLE: Quand le bouton ajusteur est tourné complètement dans le sens des aiguilles d'une montre, le compresseur marche dans la position Marche/Arrêt (Start/Stop). Quand le bouton ajusteur est tourné complètement dans le sens inverse des aiguilles d'une montre jusqu'à la position entièrement ouverte, le compresseur fonctionne en position de marche continu.

COMPOSANTS DU COMPRESSEUR D'AIR ELECTRIQUE (DOUBLE ETAGE)

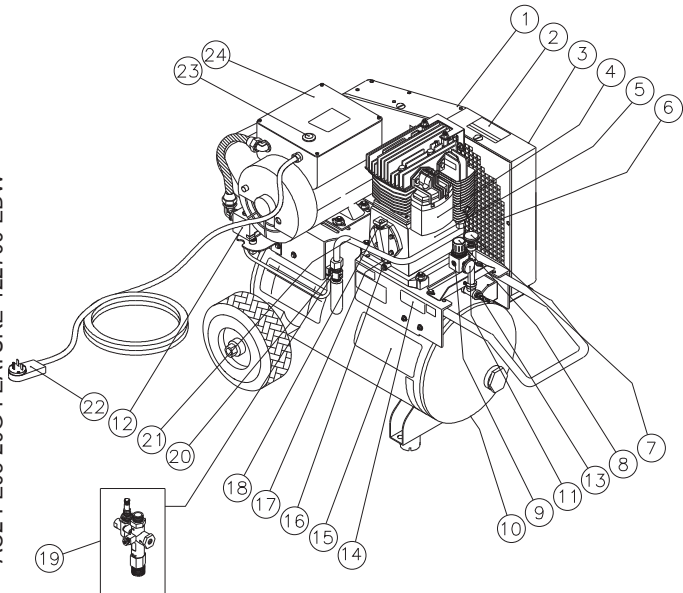


AS2-PE05-08 FEATURES-122704-DLG

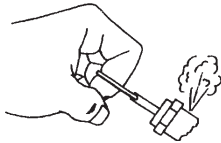
AC2-PE05-08G-FEATURE-122700-EDW



AC2-PE05-20G-FEATURE-122700-EDW

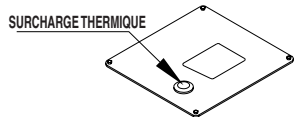


1. Carter de courroie
2. Décalque-Avertissement: Risque de blessures
3. Décalque-Avertissement: Carter de courroie en place
4. Filtre d'admission d'air
5. Pompe du compresseur d'air
6. Ouvertures de ventilation
7. Manomètre du réservoir d'air
8. Régulateur de pression
9. Adaptateur de sortie
10. Robinet(s) de purge du réservoir d'air
11. Manomètre de sortie
12. Interrupteur Moteur/Pression
13. Soupape de sûreté
14. Décalque-Avertissement: Chaud
15. Décalque-Danger/Avertissement/Attention
16. Bouchon de vidange d'huile de la pompe
18. Orifice de remplissage d'huile
19. Valve Pilote (Optionelle)
20. Soupape de retenue
21. Conduite de décharge de la pompe
22. Cordon de secteur électrique
23. Surcharge thermique du moteur
24. Moteur électrique

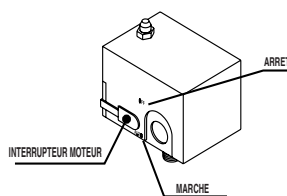


SOUPAPE DE SURETE: Cette soupape est conçue pour empêcher des pannes du système en diminuant la pression du système quand l'air comprimé atteint un niveau prédéterminé. La soupape est programmée par le fabricant et ne doit être modifiée en aucune façon. Pour vérifier que la soupape marche correctement, tirer sur l'anneau. De l'air sous pression devrait s'échapper. Quand l'anneau est relâché, il se remet en place.

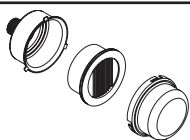
IMAGE DETAILLEE ET EXPLICATION DES COMPOSANTS DU COMPRESSEUR



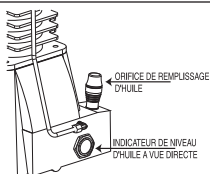
SURCHARGE THERMIQUE DU MOTEUR: Ce moteur électrique est muni d'un déclencheur de surcharge thermique manuel. Si le moteur surchauffe pour quelle que raison que ce soit, le déclencheur de surcharge thermique coupera automatiquement le contact afin que le moteur ne soit pas endommagé. Attendre que le moteur refroidisse avant d'appuyer sur le bouton de redémarrage de surcharge thermique et recommencer de travailler.



INTERRUPTEUR MOTEUR/PRESSION: Cet interrupteur est utilisé pour démarrer ou arrêter le compresseur. Mettre cet interrupteur en position de mise en marche (ON) fournira une mise sous tension automatique à l'interrupteur de pression ce qui permettra au moteur de démarrer quand la pression du réservoir d'air baissera sous "la pression d'enclenchement" établie en usine. Quand l'interrupteur est en option Marche/Arrêt, l'interrupteur arrête le moteur quand la pression du réservoir d'air atteint "la pression de coupe-circuit" établie en usine. Par raison de sécurité, cet interrupteur a aussi un détendeur de pression situé dans l'interrupteur et qui est conçu pour libérer automatiquement l'air comprimé de la tête de la pompe du compresseur et de sa conduite de décharge lorsque le compresseur atteint "la pression de coupe-circuit" ou qu'il est arrêté. Le détendeur de pression permet au moteur de redémarrer sans problème. Appuyer sur l'interrupteur pour le mettre en position d'arrêt (OFF) coupera le courant de l'interrupteur pression et arrêtera le compresseur d'air.



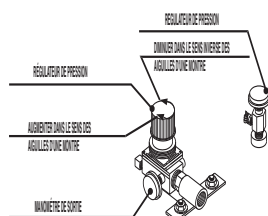
FILTRE D'ADMISSION D'AIR: Ce filtre est conçu pour nettoyer l'air qui entre dans la pompe. Pour assurer que la pompe reçoit en permanence un air propre, frais et sec, ce filtre doit toujours être propre et les ouvertures de ventilation libres de toute obstruction. L'élément du filtre peut être enlevé et nettoyé avec de l'eau chaude et savonneuse. Rincer et laisser sécher à l'air. Remplacer l'élément du filtre dès que nécessaire.



ORIFICE DE REMPLISSAGE D'HUILE: Versez de l'huile dans l'orifice de remplissage d'huile quand cela sera nécessaire.

INDICATEUR DE NIVEAU D'HUILE A VUE DIRECTE: L'indicateur de niveau d'huile à vue directe indique le niveau d'huile dans la pompe. Le niveau d'huile doit être au centre de l'indicateur. Si le niveau d'huile est bas, ajouter de l'huile non détergente SAE30.

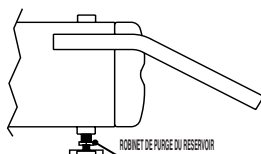
POMPE DU COMPRESSEUR D'AIR: Une pompe de compresseur à deux étages utilise deux cylindres de tailles différentes avec les soupapes d'admission du second cylindre reliées à la soupape d'échappement du premier cylindre (plus gros). Quand le piston du plus gros cylindre descend, l'air est injecté par la soupape d'admission tandis que la soupape d'échappement reste fermée. Quand le piston remonte, l'air est comprimé, la soupape d'admission se ferme et l'air comprimé est éjecté par la soupape d'échappement jusque dans le radiateur (inter cooler), puis par la valve d'admission du second cylindre (plus petit) au moment où son piston descend. Quand le piston du plus petit cylindre remonte, la valve d'admission se ferme et l'air comprimé est comprimé une seconde fois avant d'être éjecté par la soupape d'échappement dans la conduite de décharge, puis arrive à la soupape de retenue du réservoir pour finalement aboutir dans le réservoir.



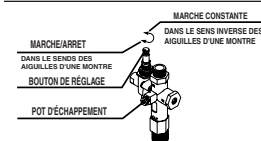
MANOMÈTRE DU RÉSERVOIR D'AIR: Le manomètre du réservoir d'air indique la pression d'air en réserve dans le/les réservoir(s).

RÉGULATEUR DE PRESSION: La pression d'air provenant du réservoir d'air est contrôlée par le bouton du régulateur. Tourner le bouton régularisateur de pression dans le sens des aiguilles d'une montre pour augmenter la pression de décharge, et dans le sens inverse des aiguilles d'une montre pour diminuer la pression de décharge.

MANOMÈTRE DE SORTIE: Le manomètre de sortie indique la pression d'air disponible du côté de la sortie du régulateur. Cette pression est contrôlée par le régulateur et est toujours moindre ou égale à la pression du réservoir.



ROBINET DE PURGE DU RÉSERVOIR D'AIR: Le robinet de purge est utilisé pour enlever l'humidité du réservoir d'air à la fin de chaque emploi. **NE JAMAIS essayer d'ouvrir le robinet de purge quand plus de 10 PSI (0.68 bar) de pression d'air est dans le réservoir d'air!** Pour ouvrir le robinet de purge, tourner le bouton dans le sens inverse des aiguilles d'une montre. Faire en sorte que le compresseur soit dans une position qui permet à toute la condensation de s'écouler.



VALVE PILOTE OPTIONELLE: Quand le bouton de réglage est tourné complètement dans le sens des aiguilles d'une montre, le compresseur marche dans la position Marche/Arrêt (Start/Stop). Quand le bouton de réglage est tourné complètement dans le sens inverse des aiguilles d'une montre jusqu'à la position entièrement ouverte, le compresseur fonctionne en position de marche continu.

AVERTISSEMENT

**LES PAGES SUIVANTES CONTIENNENT LES
CONSIGNES D'UTILISATION ET D'ENTRETIEN.**

**NE TENTER PAS DE FAIRE FONCTIONNER CE
COMPRESSEUR D'AIR AVANT D'AVOIR LU ET
COMPRIS TOUTES LES PRECAUTIONS ET
CONSIGNES DE SECURITE CONTENUES DANS
CE MANUEL.**

**L'UTILISATION INAPPROPRIEE DE CET
APPAREIL PEUT CAUSER DES BLESSURES
SERIEUSES!!**

**NE PAS ALTERER OU MODIFIER CET
EQUIPEMENT EN AUCUNE MANIERE!**

INSTRUCTIONS DE PREPARATION


INSTALLATION INITIALE:

1. Lire les consignes de sécurité avant d'installer le compresseur.
2. S'assurer que le niveau d'huile dans la pompe du compresseur est suffisant. Si il est bas, ajouter de l'huile non-détergène SAE .

EMPLACEMENT:

1. Pour éviter d'abîmer le compresseur, ne pas l'incliner transversalement ou longitudinalement plus de 10°.
2. Placer le compresseur à une distance d'au moins 12 pouces (0.30M) de tout obstacle qui pourrait empêcher une bonne ventilation. Ne pas placer le compresseur dans un endroit:
 - où il y a des traces d'huile ou de carburant.
 - où des vapeurs ou des substances de gaz inflammable peuvent être présentes.
 - où la température de l'air tombe en-dessous de 32°F (0°C) ou dépasse 104°F (40°C).
 - où de l'air ou eau très sales pourraient s'infiltrer dans le compresseur.


 **AVERTISSEMENT** 
RISQUE D'EXPLOSION OU D'INCENDIE ENTRAÎNANT DES BLESSURES GRAVES OU LA MORT! Ne pas permettre au moteur ou à l'interrupteur Moteur/Pression d'entrer en contact avec des vapeurs inflammables, des gaz, de la poussière ou autres matériaux combustibles. Une étincelle pourrait entraîner un incendie.
Quand le compresseur sert à pulvériser de la peinture, le placer aussi loin que possible du champ de travail, en utilisant des manches à air en

 **DANGER**
RISQUE D'ELECTROCUTION
Un mauvais raccordement du conducteur de masse peut être la cause d'un risque de décharge ou d'électrocution. Vérifier avec un électricien ou un personnel de service qualifié si vous avez un doute quant au raccordement de masse. N'employer aucun type d'adaptateur avec ce produit. Si une réparation ou un remplacement du cordon ou de la prise s'avèrent nécessaires, ne brancher jamais le fil de terre à une prise avec lame de contact plate. Le fil recouvert d'une gaine isolante dont la surface externe est verte - avec ou sans rayures jaunes est le fil de terre.

ELECTRIQUE:

1. L'UTILISATION D'UNE RALLONGE ELECTRIQUE N'EST PAS RECOMMANDEE car cette dernière pourrait être la cause d'un surchauffage du moteur du compresseur. Il est préférable d'utiliser un tuyau d'air supplémentaire à la place d'une rallonge électrique.
2. Si l'utilisation d'une rallonge électrique est inévitable, soyez certain d'en utiliser une assez grosse pour transporter le courant tiré par votre compresseur. Le calibre minimum des rallonges est le suivant:

| Longueur de rallonge | Mesure De Fil |
|--|---------------|
| Jusqu'à 25 pieds (7.60 m) | 12 AWG |
| De 26 à 100 pieds (de 7.90 m à 36 m) | 10 AWG |
| De 101 à 150 pieds (de 36.1 m à 45.7 m) | 8 AWG |
| De 151 à 250 pieds (de 46 m à 76 m) | 6 AWG |

 **AVERTISSEMENT**
RISQUE DE DECHARGE ELECTRIQUE!
Ce produit doit être raccordé à la terre. Si un court circuit ou une panne devaient survenir, la masse fournit un circuit de résistance moindre pour le courant électrique afin de réduire le risque de décharge. Ce produit est équipé d'un fil électrique ayant un conducteur pour la terre et une prise de masse. La prise doit être branchée à une sortie appropriée qui est correctement installée et reliée à la terre selon tous les codes et dispositions en vigueur locaux.

3. N'utiliser qu'une rallonge électrique trifilaire qui possède une fiche à trois lames avec mise à la terre et une prise à trois fentes qui accepte la fiche de la rallonge.
4. Examiner les rallonges avant l'usage. Ne pas se servir du compresseur si ses cordons sont abîmés. Ne pas se servir d'une rallonge électrique abîmée.
5. Tenir les fils électriques et rallonges à l'écart de la chaleur et des bords coupants. Ne tirer sur aucun fil pour débrancher une prise -- empoigner la prise.
6. Eteindre toujours l'interrupteur de pression du compresseur avant de débrancher le compresseur.

INSTRUCTIONS DE PREPARATION

POINTS DE CONTROLE AVANT DEMARRAGE:



AVERTISSEMENT
RISQUE DE BLESSURES
CORPORELLES!
NE TENTER JAMAIS d'ouvrir
le robinet de purge du réservoir d'air quand la pression qu'il contient dépasse 10 PSI (0.68 BAR)!

1. Vérifier le niveau d'huile. Ajouter de l'huile si nécessaire.
2. Enlever toute humidité du réservoir d'air du compresseur. **NE TENTER JAMAIS d'ouvrir le robinet de purge du réservoir d'air quand la pression qu'il contient dépasse 10 PSI (0.68 BAR)!** Enlever la pression excessive avec un outil pneumatique, puis, ouvrir le robinet de purge du réservoir d'air situé en bas du réservoir d'air. Bien fermer une fois vidé.
3. S'assurer que l'interrupteur Moteur/Pression est dans la position "OFF".
4. S'assurer que la soupape de sûreté marche correctement.
5. S'assurer que toutes les gardes et caches de protection sont en place et sont solidement assemblées.

INSTRUCTIONS DE FONCTIONNEMENT

DEMARRAGE:

1. Lire les avertissements de sécurité avant de mettre le compresseur en marche.
2. Assurez-vous que l'interrupteur Moteur/Pression est en position "OFF"(Arrêt).
3. Brancher le cordon de secteur à une prise mise à la terre.
4. Tirer l'interrupteur Moteur/Pression vers le haut jusqu'à la position "AUTO".
AX- OPTION: Repérer le bouton de réglage en haut de la soupape pilote.
-Tourner-le complètement dans le sens des aiguilles d'une montre jusqu'à la position entièrement fermée. Cela permettra au compresseur de commencer à accumuler de la pression dans les réservoirs d'air et d'arrêter quand la bonne pression sera atteinte. Quand la pression tombe avec usage, le compresseur recommencera à accumuler de la pression.
-Tourner-le complètement dans le sens inverse des aiguilles d'une montre jusqu'à la position entièrement ouverte. Le compresseur est maintenant mis en place pour accumuler de la pression "CONSTAMMENT". Quand la pression atteindra le niveau établi en usine, elle s'écoulera par la soupape pilote.
5. Régler la pression en tournant le régulateur de pression dans le sens inverse des aiguilles d'une montre pour diminuer la pression et dans le sens des aiguilles d'une montre pour augmenter la pression.
6. Si vous remarquez des bruits insolites ou des vibrations, arrêtez le compresseur et consultez la partie "Dépannage".

ARRET:

1. Pour arrêter le compresseur, pousser l'interrupteur Moteur/Pression jusqu'à la position "OFF" (Arrêt). Ne jamais arrêter le compresseur en le débranchant de la source de courant. Un risque d'électrocution en serait la conséquence.
2. Vider l'air des réservoirs d'air en relachant l'air avec un outil pneumatique attaché ou en tirant sur la soupape de sûreté.
3. Un fois que le manomètre du réservoir d'air enregistre moins de 10 livres (4.5 KG), ouvrir le robinet de purge du réservoir d'air sous chaque réservoir d'air pour laisser échapper toute humidité.
4. Permettre au compresseur de refroidir.
5. Nettoyer le compresseur en l'essuyant et ranger le dans un endroit sûr et qui ne gèle pas.

INSTRUCTIONS D'ENTRETIEN

Lire le manuel d'instruction avant d'entretenir le compresseur. Les procédures suivantes doivent être effectuées lors de l'arrêt de la machine pour l'entretien ou la réparation:


1. Arrêter le compresseur d'air.
2. Débrancher le cordon de secteur de la source de courant.
3. Ouvrir tous les orifices de vidange.
4. Attendre que le compresseur refroidisse avant de l'entretenir.

AC Ele. Maintenance Chart French

| TABLEAU D'ENTRETIEN | | | | |
|---|----------------|---------------------|---------------|-----------------------|
| PROCÉDURES | TOUS LES JOURS | TOUTES LES SEMAINES | TOUS LES MOIS | TOUTES LES 200 HEURES |
| Vérifier le niveau d'huile de la pompe | X | | | |
| Insection de fuite d'huile | X | | | |
| Evacuer la condensation de/des réservoir (s) d'air | X | | | |
| Inspection des gardes et caches de protection | X | | | |
| Vérifier si il y a des bruits insolites ou des vibrations | X | | | |
| Rechercher d'éventuelles fuites d'air | X | | | |
| Nettoyer l'extérieur du compresseur | | X | | |
| Inspecter le filter à air | | X | | |
| Inspecter la courroie | | | X | |
| Vérifier la soupape de sûreté | | | X | |
| Changer l'huile de pompe* | | | | X |
| Remplacer le filtre à air | | | | X |

*L'huile de pompe doit être changée après les premières 50 heures d'opération et toutes les 200 heures ou 3 mois, selon la limite qui est atteinte en premier.

Tous les 2 ans, un technicien de service autorisé doit vérifier la soupape de retenue, les soupapes d'approvisionnement et les soupapes de distribution.



AVERTISSEMENT
RISQUE DE BLESSURES
CORPORELLES!
 NE PARTEZ PAS DU PRINCIPLE QU'IL EST SANS RISQUES D'EFFECTUER UN TRAVAIL SUR LE COMPRESSEUR ALORS QU'IL EST A L'ARRET! IL POURRAIT SE REMETTRE EN MARCHÉ A TOUT MOMENT!

DEPANNAGE

| SYMPTOME | CAUSE PROBABLE | REMEDE | |
|---|---|---|--|
| Le compresseur ne s'arrête pas bien que la pression maximale permise soit atteinte. | Interrupteur Moteur/Pression ne fonctionne pas correctement. | Remplacer. | |
| Fonctionnement bruyant | Poulie du moteur ou volant de la pompe desserrées. | Resserrer la poulie et/ou le volant. | |
| | Manque d'huile dans la pompe. | Ajouter une quantité correcte d'huile. Vérifier si il y a des dommages aux paliers. | |
| | Dépôts de carbone sur les pistons ou les soupapes. | Enlever la tête du cylindre et l'inspecter. Nettoyer ou remplacer le siège de la soupape. | |
| | Panne des paliers, pistons ou ensemble de bielle. | ARRETER LE COMPRESSEUR! Contacter votre service clientèle. | |
| Le compresseur ne veut pas démarrer. | Le cordon de secteur n'est pas branché. | Brancher le cordon de secteur dans une prise mise à la terre. | |
| | Interrupteur Moteur/Pression n'est pas en position "ON". | Tirer l'interrupteur Moteur/Pression jusqu'à la position "ON". | |
| | Déclencheur de surcharge thermique du moteur activé. | Eteindre l'appareil, attendre 5 minutes, puis appuyer sur l'interrupteur de Surcharge Thermique du moteur jusqu'à ce que vous entendiez un dé clic. | |
| | Disjoncteur déclenché ou fusible grillé dans la boîte à fusibles. | | Réarmer le disjoncteur ou remplacer le fusible en utilisant seulement un fusible de "Fusetron" genre T. |
| | | | Vérifier que la tension n'est pas trop faible. |
| | | | Débrancher tous les autres appareils sur le circuit ou utiliser le compresseur sur son propre circuit. |
| | Manque d'huile dans le compresseur. | | Ajouter de l'huile. (Voir page 29 ou 31) |
| | La rallonge électrique est trop petite. | | Se servir d'un tuyau d'air supplémentaire à la place d'une rallonge, ou utiliser le bon calibre et la bonne longueur de rallonge. (Voir page 32) |
| | Le voltage du moteur n'est pas égal à la source d'énergie. | | Contacter votre service clientèle. |
| | La pression du réservoir d'air a atteint le niveau de pression maximum ou "arrêt" (Stop) de l'interrupteur Moteur/Pression. | | Quand la valve pilote est placée en position Marche/Arrêt (Start/Stop), le moteur démarrera automatiquement quand la pression du réservoir d'air redescendra au niveau de "pression d'enclenchement" ou la pression "Start" de l'interrupteur Moteur/Pression. |
| La soupape de sûreté de pression sur l'interrupteur Moteur/Pression bloquée en position ouverte ne peut libérer la pression de la tête. | | Purger la ligne en mettant l'interrupteur Moteur/Pression en position "Arrêt" (OFF). | |
| Le clapet de retenue de la valve pilote est bloqué en position ouverte. | | Enlever et nettoyer ou remplacer. | |
| Moteur ou interrupteur Moteur/Pression défectueux. | | Contacter votre service clientèle. | |

DEPANNAGE

| SYMPTOME | CAUSE PROBABLE | REMEDE |
|---|--|--|
| Le compresseur d'air ne démarre pas, mais le moteur ronronne puis s'arrête. | Rallonge électrique trop courte. | Se servir d'un tuyau supplémentaire à la place d'une rallonge, ou utiliser le bon calibre et la bonne longueur de rallonge. (Voir page 32) |
| | Mauvais contact. | Contacteur un électricien qualifié. |
| | Mauvaise ventilation. | Mettre l'appareil dans un endroit bien aéré. |
| | Poids d'huile trop lourd. | Se servir d'huile moins lourde. (Voir page 29 ou 31) |
| | Trop d'appareils marchent sur le même circuit. | Se servir d'un autre circuit ou enlever les appareils en trop du circuit. |
| | Tension incorrecte, ou disjoncteur, fusible ou moteur de la mauvaise taille. | Contacteur un électricien qualifié. |
| | Soupape de retenue ou interrupteur Moteur/Pression défectueux. | Remplacer. |
| Perte de pression dans le réservoir d'air ou perte de pression rapide quand le compresseur est mis à l'arrêt. | Fuite d'air aux raccords. | Laisser le compresseur accumuler le maximum de pression permise. Eteindre et passer un coup de brosse à l'eau savonneuse sur tous les raccords. Rechercher d'éventuelles bulles d'air aux raccords. Resserrer les raccords là où se trouvent les fuites. |
| | Soupape de retenue ou valve pilote défectueuses. | Enlever, nettoyer ou remplacer. |
| | Fuite d'air dans le réservoir. | Le réservoir d'air doit être remplacé. N'essayer pas de réparer le réservoir. |
| Pression insuffisante pour faire fonctionner les outils pneumatiques ou les accessoires. | Fuites d'air ou restrictions d'air. | Rechercher les fuites et réparer. |
| | Filtre d'admission d'air bouché. | Nettoyer ou remplacer le filtre. |
| | Les tuyaux ou raccords de tuyau sont trop petits ou longs. | Remplacer par des tuyaux ou des raccords plus gros. |
| | Le compresseur n'est pas assez gros pour les exigences d'air. | Servez-vous soit d'un outil plus petit ou d'un compresseur plus grand. |
| | Le régulateur de pression n'est pas ajusté à une pression assez haute ou est défectueux. | Régler le régulateur au bon niveau ou remplacer-le. |
| | La courroie glisse. | Resserrer ou remplacer la courroie. |
| | Valve pilote obstruée. | Nettoyer ou remplacer. |
| Fuite d'air à la soupape de sûreté. | Possibilité d'une soupape de sûreté défectueuse. | Faire fonctionner la soupape de sûreté manuellement en tirant sur l'anneau. Si elle fuit toujours, elle devrait être remplacée. |
| | Pression excessive du réservoir d'air. | Remplacer l'interrupteur Moteur/Pression. Nettoyer, réinitialiser ou remplacer la soupape pilote. |

DEPANNAGE

| SYMPTOME | CAUSE PROBABLE | REMEDE |
|---|---|---|
| Fuite d'air à la pompe. | Joints défectueux. | Couple de serrage des boulons: Etage unique= 17 ft./lbs (23N.m). Double Etage= 33 ft./lbs (45N.m). |
| De l'air continue de fuir au niveau de l'interrupteur Moteur/Pression lorsque le moteur marche. | Interrupteur Moteur/Pression défectueux. | Remplacer. |
| Soufflement d'air provenant du filtre d'admission d'air. | Soupape (reed) d'admission défectueuse. | Remplacer. |
| Le moteur marche sans arrêt quand il est en position "Marche/Arrêt" (Start/Stop). | L'interrupteur moteur/pression ne coupe pas le moteur quand le compresseur atteint "la pression de coupe-circuit" et la soupape de sûreté s'active. | Mettre l'interrupteur Moteur/Pression en position d'arrêt (OFF). Si le moteur ne s'arrête pas, débrancher le compresseur. Si les contacts électriques sont soudés ensemble, remplacer l'interrupteur de pression. |
| | Le compresseur est de la mauvaise taille. | Limiter la pression d'air proportionnellement à la capacité du compresseur. Servez-vous soit d'un outil plus petit ou d'un compresseur plus grand. |
| Humidité dans l'air de décharge. | Condensation dans le réservoir causée par un haut niveau d'humidité atmosphérique. | Faire marcher le compresseur pendant un minimum d'une heure pour éviter une accumulation de condensation. Purger le réservoir après chaque utilisation et encore plus souvent quand le temps est humide et se servir d'un filtre à air dans le tuyau. |
| Consommation excessive d'huile ou huile dans le tuyau. | Filtre d'admission d'air obstrué. | Nettoyer ou remplacer. |
| | Le compresseur n'est pas sur une surface plane. | Ne pas incliner le compresseur plus de 10° dans aucune direction pendant qu'il fonctionne. |
| | Le carter déborde d'huile. | Purger l'huile. Remplir jusqu'au bon niveau avec de l'huile non-détersive SAE-30W. |
| | Mauvaise viscosité. | Purger l'huile. Remplir jusqu'au bon niveau avec de l'huile non-détersive SAE-30W. |
| | Orifice de la jauge d'huile bouché. | Nettoyer. |
| | L'huile fuit. | Resserrer les boulons de pompe à un serrage de couple comme indiqué dans le manuel des pièces de rechange, ou remplacer les joints. |
| | Segments usés ou cylindre rayé. | Contactez votre service de clientèle. |
| L'huile a un aspect laiteux. | Présence d'huile dans l'eau attribuable à la condensation. | Changer l'huile et mettre le compresseur dans un environnement moins humide. |
| L'appareil fonctionne à l'envers. | Circuit électrique est inversé. | Contactez un électricien qualifié. |

BON DE GARANTIE

Le fabricant garantit toutes les pièces (à l'exception de celles stipulées ci-dessous) de votre nouveau compresseur d'air en cas de défauts de matériaux et de fabrication pendant les périodes suivantes:

Pendant une (1) année à partir de la date d'achat initiale:

| | |
|-------------------------|---------------|
| Pompe du compresseur | Tuyauterie |
| Assemblage du réservoir | Condensateurs |
| Cordon de secteur | |

Pendant quatre vingt dix (90) jours à partir de la date d'achat initiale:

| | |
|---------------------|--------------------|
| Manomètres | Soupapes de sûreté |
| Soupapes de vidange | Régulateurs |

Les pièces défectueuses non sujettes à l'usure normale seront réparées ou remplacées à notre choix pendant la période de garantie. Quoi qu'il arrive, le remboursement est limité au prix d'achat.

EXCLUSIONS

1. Le moteur est couvert sous une garantie séparée par son fabricant respectif et est sujet aux conditions mises en place à cet égard.

2. Usure normale des pièces:

| | |
|------------|--------------|
| Isolateurs | Filtre à air |
|------------|--------------|

3. Cette garantie ne couvre pas les pièces endommagées par l'usure normale, des conditions anormales, une application erronée, une mauvaise utilisation, un accident, un fonctionnement autre qu'aux tensions, pressions et températures recommandées, un stockage inapproprié ou des dégâts de transport. Les pièces endommagées ou usées par le fonctionnement dans des environnements poussiéreux ne sont pas garanties. La garantie ne couvre pas les dégâts provoqués par un mauvais suivi des procédures de fonctionnement et d'entretien.

4. Les coûts de main d'oeuvre, pertes ou dommages résultant d'une mauvaise utilisation, l'entretien (autre que la vidange routine du réservoir d'air et les changements d'huile si applicable) ou les réparations faites par des personnes autre qu'un centre de service agréé du fabricant.

5. L'utilisation de toute pièce autre que des pièces de réparation authentiques de votre concessionnaire agréé annulera la garantie.

Les pièces renvoyées en port payé, à notre usine ou à un centre de service agréé seront inspectées et remplacées gratuitement si elles sont jugées défectueuses après estimation, et couvertes par la garantie. Le fabricant n'est en aucun cas responsable de la perte d'utilisation de l'appareil, du temps perdu ou de la perte de location de l'appareil, des ennuis, des pertes commerciales ou des dommages indirects. Il n'existe aucune garantie prolongeant les dates d'expiration stipulées ci-dessus.

Pour service ou considération de garantie, contacter
Mi-T-M® Corporation, 8650 Enterprise Drive, Peosta, IA 52068
1-877-JD-KLEEN / (1-877-535-5336) Fax 319-556-1235
du lundi au vendredi de 8h00 à 17h00, CST(heure centrale)

