

SEARS

OWNERS MANUAL

MODEL NO.
919.154020
919.154120
919.154320
919.154420



IMPORTANT:

Read the Safety Guidelines
and All Instructions
Carefully Before Operating



CRAFTSMAN PERMANENTLY LUBRICATED AIR COMPRESSOR

Record in the spaces provided.

- (1) The model number which can be found on the label on the back of the shroud.
- (2) The code number which can be found on the foil label on the back of the air tank.
- (3) The Manufacturers Number (ASME Code Compressors only) is located on the metal data plate which is welded onto the back side of the air tank. (This data plate is painted the same color as the tank.)

Retain these numbers for future
reference.

Model No. _____

Code No. _____

Mfg. No. _____

ASSEMBLY
OPERATION
MAINTENANCE
REPAIR PARTS

Sears, Roebuck and Co., Chicago, IL 60684 U.S.A.

TABLE OF CONTENTS

	Page
WARRANTY	3
SAFETY GUIDELINES	3
WARNING CHART	3
SPECIFICATION CHART.....	5
GLOSSARY	5
ACCESSORIES FOR USE WITH SEARS AIR COMPRESSORS ..	5
GENERAL INFORMATION	6
DESCRIPTION OF OPERATION	6
ASSEMBLY INSTRUCTIONS.....	7
Tools Needed for Assembly	7
Installing Wheels, Handle, Rubber foot strip	7
Installing Regulator	7
INSTALLATION AND BREAK-IN PROCEDURES.....	7
Location of Air Compressor	7
Lubrication and Oil	7
Extension Cords	7
Grounding Instructions.....	8
Break-In Procedures.....	8
OPERATING PROCEDURES	8
MAINTENANCE.....	9
Air Filter	9
Check Valve – Replacement	9
Safety Valve – Inspection	9
Motor.....	9
STORAGE	10
TROUBLESHOOTING GUIDE.....	10
AIR COMPRESSOR DIAGRAM	12
Parts List	13
COMPRESSOR PUMP DIAGRAM.....	14
Parts List	15
HOW TO ORDER REPAIR PARTS	16

FULL ONE YEAR WARRANTY AIR COMPRESSORS

If this air compressor fails due to a defect in material or workmanship within one year from the date of purchase, RETURN IT TO THE NEAREST SEARS SERVICE CENTER/DEPARTMENT THROUGHOUT THE UNITED STATES AND SEARS WILL REPAIR IT, FREE OF CHARGE.

If this air compressor is used for commercial or rental purposes, the warranty will apply for ninety days from the date of purchase.

This warranty gives you specific legal rights and you may have other rights which vary from state to state.

Sears, Roebuck and Co., Sears Tower, Dept. 698/731A, Chicago, IL 60684

SAFETY GUIDELINES

This manual contains information that is important for you to know and understand. This information relates to protecting YOUR SAFETY and PREVENTING EQUIPMENT PROBLEMS. To help you recognize this information, we use the following symbols. Please read the manual and pay attention to these sections.

▲ DANGER

URGENT SAFETY INFORMATION – A HAZARD THAT *WILL* CAUSE SERIOUS INJURY OR LOSS OF LIFE.

WARNING

IMPORTANT SAFETY INFORMATION – A HAZARD THAT *MIGHT* CAUSE SERIOUS INJURY OR LOSS OF LIFE.

CAUTION

Information for preventing damage to equipment.

NOTE

Information that you should pay special attention to.

WARNING

**HAZARDS CAN OCCUR IF EQUIPMENT IS NOT USED PROPERLY.
PLEASE READ THE FOLLOWING CHART.**

WHAT TO LOOK FOR	WHAT COULD HAPPEN	HOW TO PREVENT IT
Hot Parts	The compressor head gets hot when the air compressor is running. If you touch it, you may be seriously burned.	Never touch the air compressor head during or immediately after operation.
Flammable Vapors	It is normal for the motor and pressure switch to spark when operating. If the vapors from gasoline or other solvents come into contact with the sparks, they may ignite and cause a fire or explosion.	Always operate the air compressor in well-ventilated areas; free of gasoline or other solvent vapors. Do not operate the compressor near the spray area.

WHAT TO LOOK FOR	WHAT COULD HAPPEN	HOW TO PREVENT IT
Air Tank	Modifications to the air compressor can cause the air tank to rupture or explode.	Do not adjust, remove or tamper with the safety valve or pressure switch. If safety valve or pressure switch replacement is necessary, a part with the same rating must be used. Never use a motor with a higher horsepower rating than the one supplied. Never replace the air tank with a different model or a larger tank.
	Changing the air tank will cause it to weaken. The tank may rupture or explode.	Never drill into, weld, or in any way modify the air tank.
Compressed Air	Compressed air can propel dust, dirt, or loose particles it comes in contact with.	Never point any nozzle or sprayer toward a person or any part of the body. Always wear safety goggles or glasses when using the air compressor. Always turn the air compressor off before attaching or removing accessories.
	Too much air pressure applied to air tools or accessories can cause damage or risk of bursting.	Check the manufacturer's maximum pressure rating for air tools and accessories. Regulator outlet pressure must never exceed the maximum pressure rating.
Electricity	Your air compressor is powered by electricity. Like any other electrically powered device, if it is not used properly it may cause electrical shock.	Always unplug the air compressor prior to maintenance or repair. Never use the air compressor outdoors when it is raining. Always plug the cord into an electrical outlet with the specified voltage and adequate fuse protection.
	Certain materials you are spraying (like paint, weed killer, sand or insecticide) may be harmful if you inhale them.	Read and follow the safety instructions provided on the label or safety data sheet for the material you are spraying. Use a respirator mask if there is a chance of inhaling anything you are spraying. Read all instructions . . . be sure that the respirator mask is suitable for your application.
Toxic Vapors	It is normal for compressed air to contain toxic or irritating vapors. Such vapors are harmful if inhaled.	Never directly inhale the compressed air produced by this unit.
	Certain materials you are spraying (like paint, weed killer, sand or insecticide) may be harmful if you inhale them.	Read and follow the safety instructions provided on the label or safety data sheet for the material you are spraying. Use a respirator mask if there is a chance of inhaling anything you are spraying. Read all instructions . . . be sure that the respirator mask is suitable for your application.
Unsuitable Solvents	The solvents 1,1,1 – Trichloroethane and Methylene Chloride can chemically react with aluminum used in paint spray guns, paint pumps, etc., and cause an explosion. These solvents can also react with galvanized components and cause corrosion and weakening of parts. This does not affect your air compressor – but it may affect the equipment being used.	If the material you intend to spray contains the solvents listed at left (read the label or data sheet), do not use accessories that contain aluminum or galvanized parts. You must either change the material you intend to spray, or use only stainless steel spray equipment.

SPECIFICATION CHART

Model No.	919.154020	919.154320	919.154120	919.154420
Horsepower	2	2	2	2
Displacement CFM	10.0	10.0	10.0	10.0
Bore	2 ³ / ₈ "	2 ³ / ₈ "	2 ³ / ₈ "	2 ³ / ₈ "
Stroke	1.13"	1.13"	1.13"	1.13"
Voltage-Single Phase	120	120	120	120
Minimum Branch Circuit Requirement	*15 amps	*15 amps	*15 amps	*15 amps
**Fuse Type	"Fusetron" **Type T	"Fusetron" **Type T	"Fusetron" **Type T	"Fusetron" **Type T
Air Tank Capacity	12 gal.	20 gal.	12 gal. ASME	20 gal. ASME
Approximate Cut-in Pressure	80	80	80	80
Approximate Cut-out Pressure	100	100	100	100
SCFM @ 40 psig	7.0	7.0	7.0	7.0
SCFM @ 90 psig	5.6	5.6	5.6	5.6



These compressors can be operated on a 15 amp circuit if:

1. Voltage supply to circuit is normal.
2. Circuit is not used to supply any other electrical needs (lights, appliances, etc.)
3. Extension cords comply with specifications in owners manual.
4. Circuit is equipped with 15 amp circuit breaker or 15 amp Fusetron Type "T" time delay fuse.

If any of the above conditions cannot be met, or if operation of the compressor repeatedly causes interruption of the power it may be necessary to operate it from a 20 amp circuit. It is not necessary to change the cord set.

**A circuit breaker is preferred. Use only a fuse or circuit breaker that is the same rating as the branch circuit the air compressor is operated on. If the air compressor is connected to a circuit protected by fuses, use dual element time delay fuses (Buss Fusetron Type "T" only).

GLOSSARY

CFM: Cubic feet per minute.

SCFM: Standard cubic feet per minute; a unit of measure of air delivery.

PSIG: Pounds per square inch gauge; a unit of measure of pressure.

ASME: American Society of Mechanical Engineers; made, tested, inspected and registered to meet the standards of the ASME.

U.L. LISTED: Samples of compressor outfits, taken from production, were submitted to U.L. and found to comply with their requirements for design and performance.

Cut-In Pressure: While the motor is off, air tank pressure drops as you continue to use your accessory. When the tank pressure drops to a certain low level the motor will re-start automatically. The low pressure at which the motor automatically re-starts is called "cut-in pressure".

Cut-Out Pressures: When you turn on your air compressor and it begins to run, air pressure in the air tank begins to build. It builds to a certain high pressure before the motor automatically shuts off – protecting your air tank from pressure higher than its capacity. The high pressure at which the motor shuts off is called "cut-out pressure".

ACCESSORIES FOR USE WITH SEARS AIR COMPRESSORS

The following accessories are available through the current general sales catalog or at full-line Sears stores.

- | | | |
|---|---|--|
| <ul style="list-style-type: none"> • SPRAY GUNS • BLOW GUNS • AIR CAULKING GUNS • AIR POWERED WASHER GUNS • SANDBLASTERS • AIR BRUSHES • AIR LINE FILTERS • TIRE AIR CHUCKS | <ul style="list-style-type: none"> • PAINT TANKS • AIR TANKS • INFLATER KITS • QUICK CONNECTOR SETS
(various sizes) • VISCOSIMETER • AIR PRESSURE REGULATORS • OIL FOG LUBRICATORS | <ul style="list-style-type: none"> • AIR TOOLS: <li style="padding-left: 20px;">Sanders <li style="padding-left: 20px;">Drills <li style="padding-left: 20px;">Impact wrenches <li style="padding-left: 20px;">Hammers • AIR HOSE: <li style="padding-left: 20px;">1/4", 5/16" or 3/8" I.D. <li style="padding-left: 20px;">in various lengths |
|---|---|--|

GENERAL INFORMATION

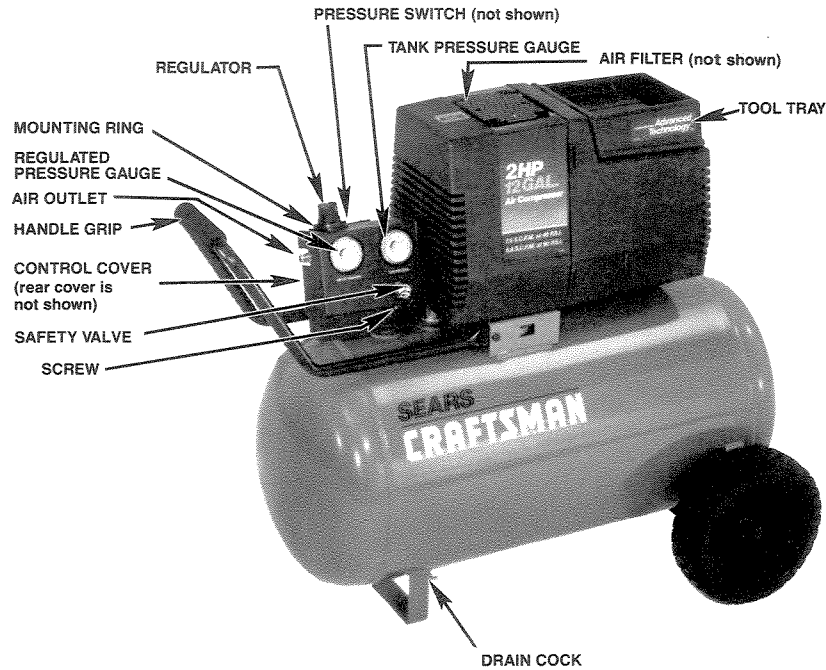
You have purchased an air compressor unit consisting of a 1 cylinder, single-stage air compressor pump, an air tank, air hose, wheels, handle, and associated controls. You will also find an air chuck.

This air compressor requires no oil. Now you can enjoy all the benefits of having an air compressor without ever having to purchase, add or change oil.

Your air compressor can be used for operating paint spray guns, air tools, caulking guns, grease guns, air brushes, sandblasters, or inflating tires and plastic toys, spraying weed killers, insecticides, etc.

Separate air transformers which combine the functions of air regulation and/or moisture and dirt removal should be used where applicable.

DESCRIPTION OF OPERATION



Air Compressor Pump: To compress air, the piston moves up and down in the cylinder. On the downstroke, air is drawn in through the air intake valves. The exhaust valve remains closed. On the upstroke of the piston, air is compressed. The intake valves close and compressed air is forced out through the exhaust valve, through the outlet tube, through the check valve and into the air tank. Working air is not available until the compressor has raised the air tank pressure above that required at the air outlet.

Check Valve: When the air compressor is operating, the check valve is "open", allowing compressed air to enter the air tank. When the air compressor reaches "cut-out" pressure, the check valve "closes", allowing air pressure to remain inside the air tank.

Pressure Release Valve: The pressure release valve located on the side of the pressure switch, is designed to automatically release compressed air from the compressor head and the outlet tube when the air compressor reaches "cut-out" pressure or is shut off. If the air is not released, the motor will try to start, but will be unable to. The pressure release valve allows the motor to restart freely. When the motor stops running, air will be heard escaping from the valve for a few seconds. No air should be heard leaking when the motor is running.

Pressure Switch: The pressure switch automatically starts the motor when the air tank pressure drops below

the factory set "cut-in" pressure. It stops the motor when the air tank pressure reaches the factory set "cut-out" pressure.

Safety Valve: If the pressure switch does not shut off the air compressor at its cut-out pressure setting, the safety valve will protect against high pressure by "popping out" at its pre-set pressure.

Regulator: The air pressure coming from the air tank is controlled by the regulator knob. Turn the knob clockwise to increase pressure and counter-clockwise to decrease pressure. To avoid minor readjustment after making a change in pressure setting, always approach the desired pressure from a lower pressure. When reducing from a higher to a lower setting, first reduce to some pressure less than that desired, then bring up to the desired pressure. Depending on the air requirements of each particular accessory, the outlet regulated air pressure may have to be adjusted while operating the accessory.

Outlet Pressure Gauge: The outlet pressure gauge indicates the air pressure available at the outlet side of the regulator. This pressure is controlled by the regulator and is always less or equal to the tank pressure. See "Operating Procedures."

Tank Pressure Gauge: The tank pressure gauge indicates the reserve air pressure in the tank.

ASSEMBLY INSTRUCTIONS

Tools Needed for Assembly

- pipe thread sealant (not included)
- an adjustable wrench for attaching the pressure regulator
- a $\frac{9}{16}$ " socket or open end wrench for attaching the wheels and hose adapter.
- a $\frac{7}{16}$ " open end wrench for attaching the air pressure gauges
- a $\frac{3}{16}$ " hex key for installing the plug in the regulator
- a $\frac{3}{8}$ " open end wrench to tighten handle screws
- a #2 phillips screwdriver for attaching the control cover.

Installing Wheels, Handle, Rubber Foot Strip

WARNING

THE WHEELS AND HANDLE DO NOT PROVIDE ADEQUATE CLEARANCE, STABILITY OR SUPPORT FOR PULLING THE UNIT UP AND DOWN STAIRS OR STEPS. THE UNIT MUST BE LIFTED, OR PUSHED UP A RAMP.

1. Dip the handle grip in soapy water and slide into position as shown on photo on page 6 or page 12.
2. Attach the handle to the inside of the compressor saddle by pushing the handle in, until the slot in the handle engages with the tabs in the saddle. Pull the handle back and install the two screws, one on each side of the saddle. Tighten securely.

CAUTION

It may be necessary to brace or support one end of the outfit when attaching the wheels and the rubber foot strip, because the air compressor will have a tendency to tip.

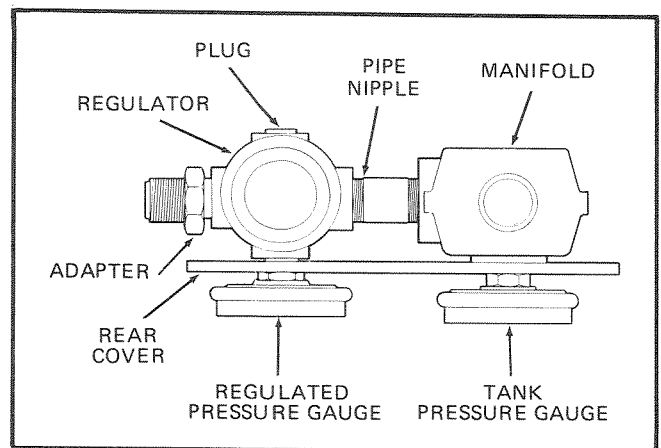
3. Remove the protective paper strip from the adhesive backed rubber foot strip. Attach the rubber foot strip to the bottom of the air tank leg. Press firmly into place.
4. Attach one wheel to each side of the air compressor. Use one shoulder bolt and one nut for each wheel. Tighten securely.

Installing Regulator

Use a small amount of pipe thread sealant on all pipe thread joints.

Install the regulator on the end of the manifold using the short pipe nipple. The arrow on the bottom of the regulator must point away from the manifold in order for the regulator to function properly.

Install the adapter and plug in the regulator. The plug is supplied with the regulator. Install the rear cover and the gauges at the same time. See diagram below.



Install the control cover. Fasten it to the manifold using the phillips screw. Install the plastic mounting ring to the regulator to fasten the top of the control cover. See photo on page 6.

INSTALLATION AND BREAK-IN PROCEDURES

Location of the Air Compressor

Locate the air compressor in a clean, dry and well ventilated area. The air filter must be kept clear of obstructions which could reduce air delivery of the air compressor. The air compressor should be located at least 12" away from the wall or other obstructions that will interfere with the flow of air. The air compressor head and shroud are designed to allow for proper cooling. If humidity is high a Sears air filter can be installed to remove excessive moisture. Follow the instructions packaged with the air filter for proper installation.

Lubrication and Oil

This unit needs no additional lubrication or oiling.

Extension Cords

Use extra air hose instead of an extension cord to avoid voltage drop and power loss to the motor.

If an extension cord *must* be used, be sure it is:

- a 3-wire extension cord that has a 3-blade grounding plug, and a 3-slot receptacle that will accept the plug on the product.
- in good condition.
- no longer than 50 feet.
- 12 gauge (AWG) or larger. (Wire size increases as gauge number decreases. 10 AWG and 8 AWG may also be used. DO NOT USE 14 or 16 AWG.)

Grounding Instructions

WARNING

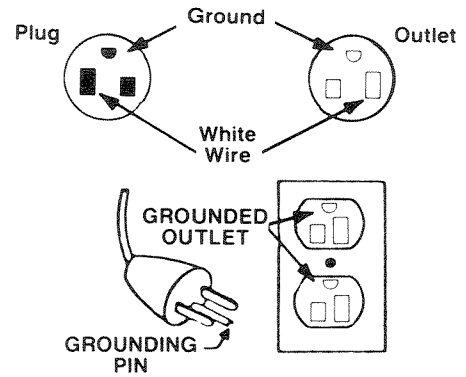
IMPROPER GROUNDING CAN RESULT IN ELECTRICAL SHOCK. IN THE EVENT OF A SHORT CIRCUIT, GROUNDING REDUCES THE RISK OF SHOCK BY PROVIDING AN ESCAPE WIRE FOR THE ELECTRIC CURRENT. THIS AIR COMPRESSOR MUST BE PROPERLY GROUNDING.

1. The air compressor is equipped with a cord having a grounding wire with an appropriate grounding plug. The plug must be used with an outlet that has been installed and grounded in accordance with all local codes and ordinances. The outlet must have the same configuration as the plug. **DO NOT USE AN ADAPTER.**
2. Do not modify the plug that has been provided. If it does not fit the available outlet, the correct outlet should be installed by a qualified electrician.
3. Inspect the plug and cord before each use. Do not use if there are signs of damage.

⚠ DANGER

RISK OF ELECTRICAL SHOCK. IF REPAIRING OR REPLACING CORD OR PLUG, THE GROUNDING WIRE MUST BE KEPT SEPARATE FROM THE CURRENT-CARRYING WIRES. NEVER CONNECT THE GROUNDING WIRE TO A FLAT BLADE PLUG TERMINAL. (THE GROUNDING WIRE HAS INSULATION WITH AN OUTER SURFACE THAT IS GREEN – WITH OR WITHOUT YELLOW STRIPES.)

If these grounding instructions are not completely understood, or if in doubt as to whether the compressor is properly grounded, have the installation checked by a qualified electrician.



120 volts, 15 amps

Break-In Procedures

CAUTION

Serious damage may result if the following break-in instructions are not closely followed.

This procedure is only required the first time the air compressor is put into service.

1. Set the pressure switch OFF/AUTO lever to the "OFF" position.
2. Plug the power cord into the correct branch circuit receptacle.
3. Turn the regulator clockwise, opening it fully, to prevent air pressure build-up in the tank.
4. Move the OFF/AUTO lever to "AUTO". The compressor will start.
5. Run the compressor for 10 minutes. Make sure the regulator is open and there is no tank pressure build-up.
6. After 10 minutes, close the regulator by turning it counter-clockwise. The air tank will fill to cut-out pressure and then the motor will stop.

OPERATING PROCEDURES

1. Before attaching air hose or accessories, make sure the OFF/AUTO lever is set to "OFF" and the air regulator is closed. (Close it by turning it counter-clockwise.)
2. Attach hose and accessories.

WARNING

TOO MUCH AIR PRESSURE CREATES A HAZARDOUS RISK OF BURSTING. CAREFULLY FOLLOW STEPS 3 AND 5 EACH TIME THE COMPRESSOR IS USED.

CAUTION

COMPRESSED AIR FROM THE OUTFIT MAY CONTAIN WATER CONDENSATION. DO NOT SPRAY UNFILTERED AIR AT AN ITEM THAT COULD BE DAMAGED. SOME AIR OPERATED TOOLS OR DEVICES MAY REQUIRE FILTERED AIR. READ THE INSTRUCTIONS FOR THE AIR TOOL OR DEVICE.

3. Check the manufacturer's maximum pressure rating for air tools and accessories. The regulator outlet pressure must never exceed the maximum pressure rating.

4. Turn the OFF/AUTO lever to "AUTO" and allow tank pressure to build. Motor will stop when tank pressure reaches "cut-out" pressure.
5. Open the regulator by turning it clockwise. Adjust the regulator to the correct pressure setting. Your compressor is ready for use.
6. Always operate the air compressor in well-ventilated areas; free of gasoline or other solvent vapors. Do not operate the compressor near the spray area.
 - When you are finished:
7. Set the "OFF-AUTO" lever to "OFF".
8. Turn the regulator counter-clockwise and set the outlet pressure to zero.
9. Remove the air tool or accessory.
10. Open the regulator and allow the air to slowly bleed from the tank. Close the regulator when tank pressure is approximately 20 psi.

11. Drain water from air tank.

WARNING

WATER WILL CONDENSE IN THE AIR TANK. IF NOT DRAINED, WATER WILL CORRODE AND WEAKEN THE AIR TANK CAUSING A RISK OF AIR TANK RUPTURE.

With tank pressure at approximately 20 psi., open the drain cock and allow moisture to drain.

NOTE

If drain cock valve is plugged, release all air pressure. The valve can then be removed, cleaned, then reinstalled.

12. After the water has been drained, close the drain cock. The air compressor can now be stored.

MAINTENANCE

WARNING

UNIT CYCLES AUTOMATICALLY WHEN POWER IS ON. WHEN DOING MAINTENANCE, YOU MAY BE EXPOSED TO VOLTAGE SOURCES, COMPRESSED AIR OR MOVING PARTS. PERSONAL INJURIES CAN OCCUR. BEFORE PERFORMING ANY MAINTENANCE OR REPAIR, UNPLUG THE COMPRESSOR AND BLEED OFF ALL AIR PRESSURE.

Air Filter – Inspection

NOTE

Keep the air filter clean at all times. Do not operate the compressor with the air filter removed.

A dirty air filter will not allow the compressor to operate at full capacity. Before you use the compressor, check the air filter to be sure it is clean.

If it is dirty, simply pull it out. You may wash it with a mild detergent and warm water, or replace it.

Check Valve – Replacement

1. Release all air pressure from air tank and unplug outfit.
2. Remove shroud.
3. Loosen the top and bottom nuts and remove the outlet tube.
4. Remove the pressure release tube and fitting.
5. Unscrew the check valve (turn counterclockwise) using a socket wrench.
6. Check that the valve disc moves freely inside the check valve and that the spring holds the disc in the upper, closed position. The check valve may be cleaned with a solvent, such as paint and varnish remover.
7. Apply sealant to the check valve threads. Reinstall the check valve (turn clockwise).
8. Replace the pressure release tube and fitting.
9. Replace the outlet tube and tighten top and bottom nuts.
10. Replace the shroud.

Safety Valve – Inspection

WARNING

IF THE SAFETY VALVE DOES NOT WORK PROPERLY, OVER-PRESSURIZATION MAY OCCUR, CAUSING AIR TANK RUPTURE OR AN EXPLOSION. OCCASIONALLY PULL THE RING ON THE SAFETY VALVE TO MAKE SURE THAT THE SAFETY VALVE OPERATES FREELY. IF THE VALVE IS STUCK OR DOES NOT OPERATE SMOOTHLY, IT MUST BE REPLACED WITH THE SAME TYPE OF VALVE.

Motor

The motor has an automatic reset thermal overload protector. If the motor overheats for any reason, the overload protector will shut off the motor. The motor must be allowed to cool down before restarting. The compressor will automatically re-start after the motor cools.

If the overload protector shuts the motor off frequently, check for a possible voltage problem. Low voltage can also be suspected when:

1. the motor does not get up to full power or speed;
2. fuses blow out when starting the motor; lights dim and remain dim when motor is started and is running.

STORAGE

Before you store the air compressor, make sure you do the following:

1. Review the "Maintenance" section on the preceding pages and perform maintenance as necessary. Be sure to drain water from the air tank.

2. Protect the electrical cord and air hose from damage (such as being stepped on or run over). Wind them loosely around the compressor handle.

Store the air compressor in a clean and dry location.

TROUBLESHOOTING GUIDE

WARNING

PERFORMING REPAIRS MAY EXPOSE VOLTAGE SOURCES, MOVING PARTS, OR COMPRESSED AIR SOURCES. PERSONAL INJURY MAY OCCUR. PRIOR TO ATTEMPTING ANY REPAIRS UNPLUG THE AIR COMPRESSOR AND BLEED OFF TANK AIR PRESSURE.

PROBLEM	CAUSE	CORRECTION
Excessive Tank pressure – safety valve pops off.	Pressure switch does not shut off motor when compressor reaches "cut-out" pressure.	Move the pressure switch lever to the "OFF" position. If the outfit doesn't shut off, and the electrical contacts are welded together, replace the pressure switch. If the contacts are good, check to see if the pin in the bottom of the pressure release valve is stuck. If it does not move freely, replace the valve.
	Pressure switch "cut-out" too high.	Return the outfit to Sears Service Center to check and adjust, or replace switch.
Air leaks at fittings	Tube fittings are not tight enough.	Tighten fittings where air can be heard escaping. Check fittings with soapy water solution. DO NOT OVER-TIGHTEN.
Air leaks at check valve.	Defective or dirty check valve.	A defective check valve results in a constant air leak at the pressure release valve when there is pressure in the tank and the compressor is shut off. Remove and clean or replace check valve. DO NOT OVER-TIGHTEN.
Air leaks at pressure switch release valve	Defective pressure switch release valve.	Remove and replace the release valve.
	Defective check valve.	A defective CHECK valve results in a constant air leak at the pressure release valve when there is pressure in the tank and the compressor is shut off. Remove and clean or replace check valve. DO NOT OVER-TIGHTEN.
Air leaks in air tank.	Defective air tank.	Air tank must be replaced. Do not repair the leak.

WARNING

DO NOT DRILL INTO, WELD, OR OTHERWISE MODIFY AIR TANK OR IT WILL WEAKEN.

Air leaks between head and valve plate.	Leaking gasket.	Torque head screws to 8 ft. lbs. If this does not stop leak replace gasket.
Pressure reading on the regulated pressure gauge drops when an accessory is used.	It is normal for "some" pressure drop to occur.	If there is an excessive amount of pressure drop when the accessory is used, adjust the regulator following the instructions on pg. 6.

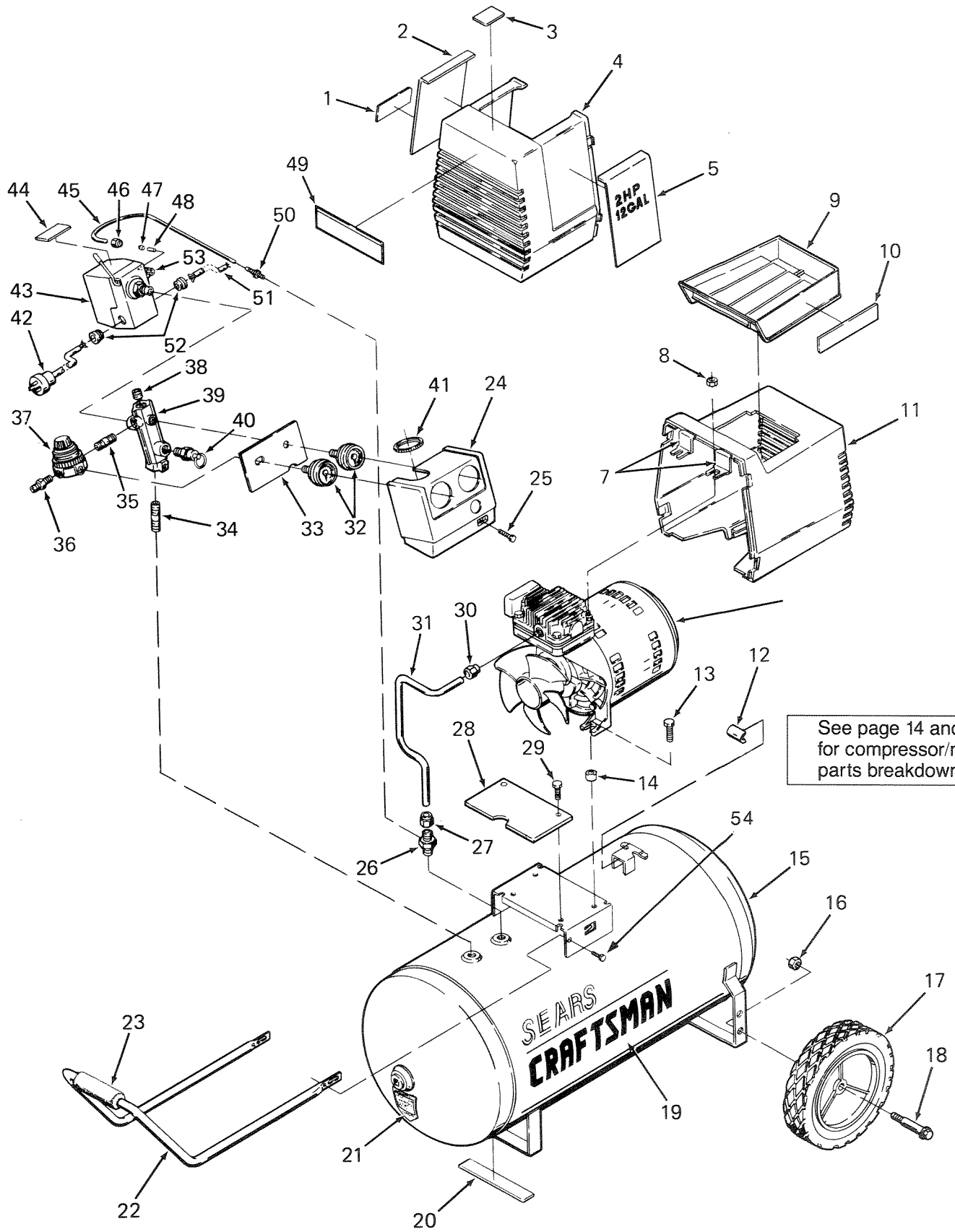
Note

Adjust the regulated pressure under flow conditions (while accessory is being used.)

TROUBLESHOOTING GUIDE (Continued)

PROBLEM	CAUSE	CORRECTION
Air leak from Safety Valve	Possible defect in Safety Valve.	Operate safety valve manually by pulling on ring. If valve still leaks, it should be replaced.
Knocking Noise	Defective Check Valve.	Remove and clean or replace.
Compressor is not supplying enough air to operate accessories.	Prolonged excessive use of air.	Decrease amount of air usage.
	Compressor is not large enough for air requirement.	Check the accessory air requirement. If it is higher than the SCFM or pressure supplied by your air compressor, you need a larger compressor.
	Restricted air intake filter.	Clean or replace air intake filter. Do not operate the air compressor in the paint spray area.
	Hole in hose.	Check and replace if required.
	Check Valve restricted.	Remove and clean or replace.
	Air leaks.	Tighten fittings. (See Air Leaks Section of Troubleshooting Guide.)
Motor Will Not Run	Motor overload protection switch has tripped.	Let motor cool off and overload switch will automatically reset.
	Tank pressure exceeds pressure switch "cut-in" pressure.	Motor will start automatically when tank pressure drops below "cut-in" pressure of pressure switch.
	Wrong gauge wire or length of extension cord.	Check for proper gauge wire and cord length.
	Check Valve stuck open.	Remove and clean or replace.
	Loose electrical connections.	Check wiring connection inside pressure switch and terminal box area.
	Possible defective capacitor.	Return to Sears Service Center for inspection or replacement if necessary.
	Paint spray on internal motor parts.	Have checked at Sears Service Center. Do not operate the compressor in the paint spray area. See flammable vapor warning on page 3.
	Possible defective motor.	Have checked at a local Sears Service Center.
	Fuse blown, circuit breaker tripped.	<ol style="list-style-type: none"> 1. Check fuse box for blown fuse and replace if necessary. Re-set circuit breaker. Do not use a fuse or circuit breaker with higher rating than that specified for your particular branch circuit. 2. Check for proper fuse; only "Fusetron" type T fuses are acceptable. 3. Check for low voltage conditions and/or proper extension cord. 4. Disconnect the other electrical appliances from circuit or operate the compressor on its own branch circuit.
	Pressure release valve on pressure switch has not unloaded head pressure.	Bleed the line by pushing the lever on the pressure switch to the "Off" position; if the valve does not open, replace it.
Regulator knob – continuous air leak. Regulator will not shut-off at air outlet.	Dirty or damaged regulator internal parts.	Clean or replace regulator, or internal parts.

AIR COMPRESSOR DIAGRAM

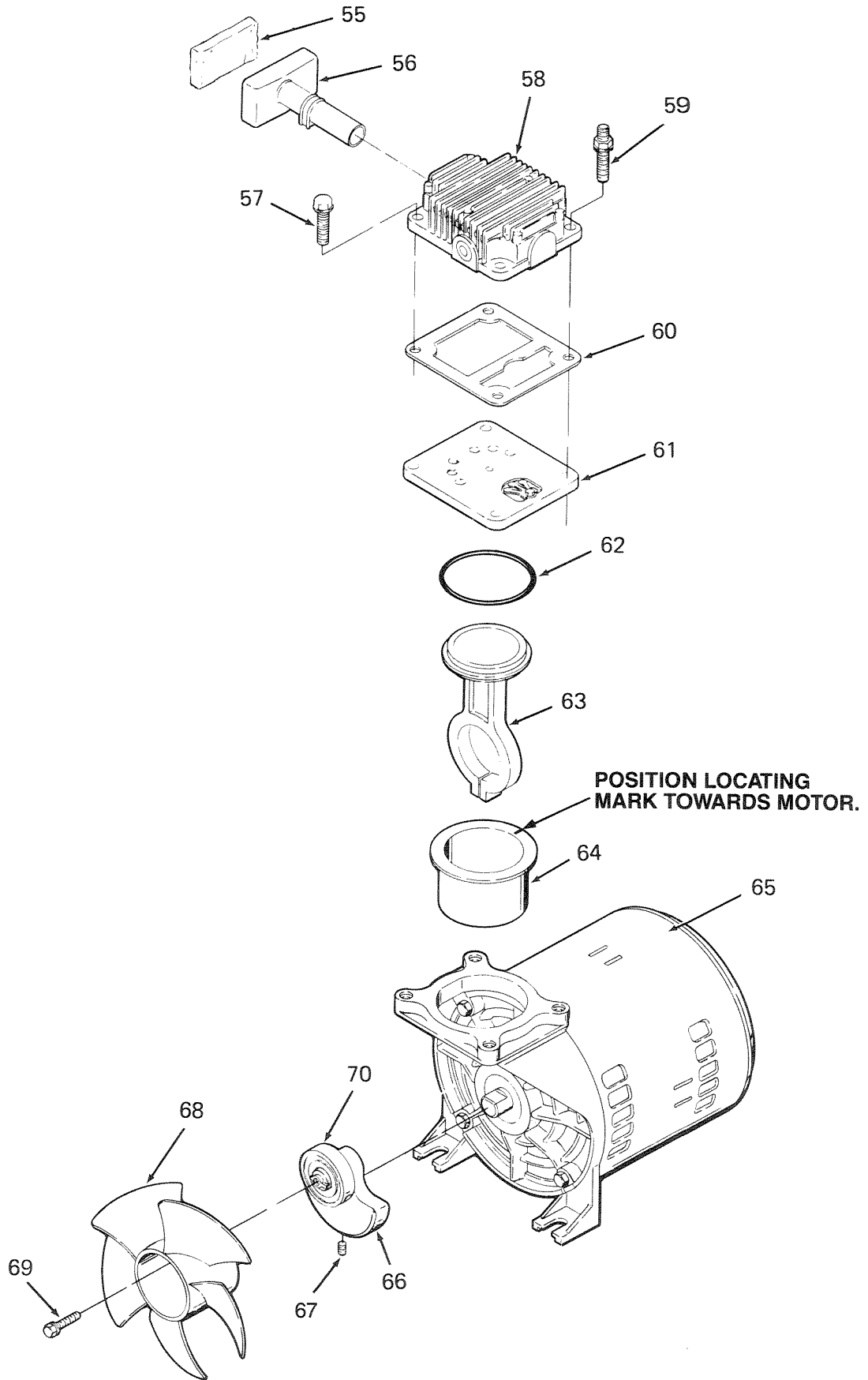


See page 14 and 15 for compressor/motor parts breakdown.

PARTS LIST

KEY NO.	PART NUMBER	DESCRIPTION
1	LA-1976	Model No. Label (Model No. 919.154120)
	LA-1979	Model No. Label (Model No. 919.154020)
	LA-2036	Model No. Label (Model No. 919.154320)
	LA-2037	Model No. Label (Model No. 919.154420)
2	LA-1977	Maintenance Label
3	LA-1779	Hot Surface Label
4	CAC-331-1	Shroud – front
5	LA-1975	Performance Label (Model No. 919.154120 & 919.154020)
	LA-2035	Performance Label (Model No. 919.154320 & 919.154420)
6	–	Not used
7	CAC-1079	Bracket (2 used – included with #11)
8	SSF-8129-ZN	Locknut 1/4"-20 (2 used)
9	CAC-1080	Tool tray
10	LA-1994-1	Advanced tech. Label
11	CAC-1082	Rear shroud assembly (includes 2 ea. #7)
12	CAC-1099	U-Channel isolator
13	SSF-505	Shoulder screw (2 used)
14	CAC-1098	Isolator (2 used)
15	TA-4136	Air Tank (Model No. 919.154020)
	TA-4135	Air Tank ASME (Model No. 919.154120)
	TA-4140	Air Tank (Model No. 919.154320)
	TA-4139	Air Tank (Model No. 919.154420)
16	STD541437	Nut 3/8"-16 (2 used)
17	CAC-4293	Wheel (2 used) (Model No. 919.154020 & 919.154120)
	CAC-4313	Wheel (2 used) (Model No. 919.154320 & 919.154420)
18	CAC-60	Shoulder bolt 3/8"-16 x 2 1/4" (2 used)
19	LA-1810-1	Sears Craftsman Label
20	SUDL-6-1	Rubber foot strip
21	LA-1978	Drain Tank Label
22	CAC-1087	Handle (black finish)
23	CAC-1088	Handlegrip
24	CAC-334	Control cover
25	SSF-1318-ZN	Screw – control cover
26	CAC-4290	Check valve
27	SSP-7813	Nut sleeve assembly (for 3/8" O.D. Tube)
28	CAC-333-1	Shroud Plate
29	SSN-8001	Ratchet Fastener (2 used)
30	SSP-7821	Nut (Tighten until it stops against head)
	CAC-1120	Silicone Sleeve
31	CAC-1083	Outlet tube
32	C-GA-344	Pressure Gauge (2 used)
33	CAC-1084	Rear cover
34	SS-2072	Nipple (3/8" NPT x 1 1/2" long)
35	SS-2071	Nipple (1/4" NPT x 1 1/2" long)
36	H-2099	Adapter
37	CAC-487	Regulator
38	SS-3222-CD	Pipe plug 1/4" NPT
39	CAC-365	Manifold
40	TIA-4325	Safety valve (Model No. 919.154020 & 919.154320)
	TIA-4125	Safety valve ASME (Model No. 919.154120 & 919.154420)
41	CAC-61	Mounting Ring – control cover
42	SUDL-403-1	Cord assembly – line

COMPRESSOR PUMP DIAGRAM



PARTS LIST

KEY NO.	PART NUMBER	DESCRIPTION
43	CAC-4220-1	Pressure switch
44	LA-1531-1	On-Off Label
45	CAC-1085	Pressure relief tube (warm tube before installing on #50.)
46	STD575025	Nut (for 1/4" O.D. Tube)
47	STD575026	Ferrule (for 1/4" O.D. Tube)
48	SSP-9013	Tube insert
49	LA-1535	Warning Label
50	SSP-6088	Barbed fitting
51	CAC-4215-1	Cord assembly – motor
52	SSW-7367	Strain relief (2 used)
53	KK-4315	Pressure release valve and mounting nut (included with #43)
54	SSF-981	Screw 1/4" AB × 3/4" long (2 used)
55	CAC-260-2	Air Filter
56	CAC-1046	Intake muffler
57	SSF-990	Screw 1/4" - 20 × 1 1/4" (2 used, torque 7-10 ft. lbs.)
58	CAC-1067	Head
59	SSF-6640	Stud 1/4"-20 × 1 1/4" (2 used, torque 7-10 ft. lbs.)
60	CAC-1066	Gasket
61	CAC-4281	Valve plate assembly (includes valves, restrictors & screws)
62	SSG-8156	O-ring
✓ 63	–	Connecting rod assembly (torque screw 30-35 in. lbs.)
✓ 64	–	Cylinder sleeve (position locating mark towards motor)
65	C-MO-3006	Motor 2 HP
66	CAC-4303	Eccentric/Bearing Assy. (Includes 1 ea. #70)
67	SSF-2043	Screw (eccentric, torque 50-60 in. lbs.)
68	CAC-1055	Fan
69	SSF-3101	Screw #10-24 × 3/8" long (torque 30-35 in. lbs.)
70	SST-3025	Bearing (eccentric)
		NOT ILLUSTRATED
	H-5796	Air Hose assembly (1/4" I.D. × 15')
	9-16269	Air Chuck
	SI-30-08-4-B	Owners Manual
✓ Key 63 & 64 Can only be purchased as part of KK-4821 connecting rod kit		

SEARS

OWNERS MANUAL

SERVICE

MODEL NO.
919.154020
919.154120
919.154320
919.154420

HOW TO ORDER REPAIR PARTS

CRAFTSMAN PERMANENTLY LUBRICATED AIR COMPRESSOR

Now that you have purchased your Sears Air Compressor, should a need ever exist for repair parts or service, simply contact any Sears Service Center and most Sears, Roebuck and Co. stores. Be sure to provide all pertinent facts when you call or visit.

The model number of your Sears Air Compressor is 919._____. This number can be found on the label which is located on the back of the shroud.

WHEN ORDERING REPAIR PARTS, ALWAYS GIVE THE FOLLOWING INFORMATION:

- PART NUMBER
- PART DESCRIPTION
- MODEL NUMBER
- NAME OF ITEM

All parts listed may be ordered from any Sears Service Center and most Sears stores.

If the parts you need are not stocked locally, your order will be electronically transmitted to a Sears Repair Parts Distribution Center for handling.

Sears, Roebuck and Co., Chicago, IL 60684 U.S.A.