

# Instruction manual

ESPAÑOL: PÁGINA 27  
FRANÇAIS: PAGE 53

Model  
C3551

## **JOB BOSS™** Direct Drive Oil Lube Portable Air Compressor



To learn more about Porter-Cable  
visit our website at:

<http://www.porter-cable.com>

**PORTER-CABLE®**

### IMPORTANT

*Please make certain that the person who is to use this equipment carefully reads and understands these instructions before starting operations.*

The Model and Serial No. plate is located on the frame. Record these numbers in the spaces below and retain for future reference.

Model No. \_\_\_\_\_

Type \_\_\_\_\_

Serial No. \_\_\_\_\_

## SAFETY GUIDELINES - DEFINITIONS

This manual contains information that is important for you to know and understand. This information relates to protecting **YOUR SAFETY** and **PREVENTING EQUIPMENT PROBLEMS**. To help you recognize this information, we use the symbols below. Please read the manual and pay attention to these symbols.

<p><b>▲ DANGER</b> Indicates an imminently hazardous situation which, if not avoided, <b>will</b> result in <b>death or serious injury</b>.</p>	<p><b>▲ CAUTION</b> Indicates a potentially hazardous situation which, if not avoided, <b>may</b> result in <b>minor or moderate injury</b>.</p>
<p><b>▲ WARNING</b> Indicates a potentially hazardous situation which, if not avoided, <b>could</b> result in <b>death or serious injury</b>.</p>	<p><b>CAUTION</b> Used without the safety alert symbol indicates a potentially hazardous situation which, if not avoided, <b>may</b> result in <b>property damage</b>.</p>

## IMPORTANT SAFETY INSTRUCTIONS

**▲ WARNING** Some dust created by power sanding, sawing, grinding, drilling, and other construction activities contains chemicals known (to the State of California) to cause cancer, birth defects or other reproductive harm. Some example of these chemicals are:

- lead from lead-based paints
- crystalline silica from bricks and cement and other masonry products
- arsenic and chromium from chemically-treated lumber

Your risk from these exposures varies, depending on how often you do this type of work. To reduce your exposure to these chemicals: work in a well ventilated area, and work with approved safety equipment, always wear MSHA/NIOSH approved, properly fitting face mask or respirator when using such tools.

When using air tools, basic safety precautions should always be followed to reduce the risk of of personal injury.

# IMPORTANT SAFETY INSTRUCTIONS



**Save these instructions**



Improper operation or maintenance of this product could result in serious injury and property damage. Read and understand all warnings and operation instructions before using this equipment.

## HAZARD

**WARNING: Risk of explosion or fire**



What Could Happen	How To Prevent It
<p><b>It is normal for electrical contacts within the motor and pressure switch to spark.</b></p>	<p>Always <b>operate the compressor in a well ventilated area free of combustible materials, gasoline, or solvent vapors.</b></p>
<p><b>If electrical sparks from compressor come into contact with flammable vapors, they may ignite, causing fire or explosion.</b></p>	<p>If spraying flammable materials, <b>locate compressor at least 20 feet away from spray area.</b> An additional length of hose may be required.</p> <p><b>Store flammable materials in a secure location away from compressor.</b></p>
<p><b>Restricting any of the compressor ventilation openings will cause serious overheating and could cause fire.</b></p>	<p><b>Never place objects against or on top of compressor. Operate compressor in an open area at least 12 inches away from any wall or obstruction that would restrict the flow of fresh air to the ventilation openings.</b></p> <p>Operate compressor in a clean, dry well ventilated area. <b>Do not operate unit indoors or in any confined area.</b></p>
<p><b>Unattended operation of this product could result in personal injury or property damage. To reduce the risk of fire, do not allow the compressor to operate unattended.</b></p>	<p><b>Always remain in attendance with the product when it is operating.</b></p> <p><b>Always disconnect electrical power by moving pressure switch lever to the off position and drain tank daily or after each use.</b></p>

## HAZARD

### WARNING: Risk of Bursting

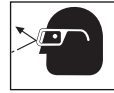


***Air Tank:*** The following conditions could lead to a weakening of the tank, and result in a violent tank explosion and could cause property damage or serious injury.

What Could Happen	How To Prevent It
Failure to properly drain condensed water from tank, causing rust and thinning of the steel tank.	<b>Drain tank daily or after each use.</b> If tank develops a leak, replace it immediately with a new tank or replace the entire compressor.
Modifications or attempted repairs to the tank. Unauthorized modifications to the unloader valve, safety valve, or any other components which control tank pressure.	<b>Never drill into, weld, or make any modifications to the tank</b> or its attachments.
Excessive vibration can weaken the air tank and cause rupture or explosion	The tank is designed to withstand specific operating pressures. <b>Never make adjustments or parts substitutions to alter the factory set operating pressures.</b>
<b><u>ATTACHMENTS &amp; ACCESSORIES:</u></b> Exceeding the pressure rating of air tools, spray guns, air operated accessories, tires, and other inflatables can cause them to explode or fly apart, and could result in serious injury.	For essential control of air pressure, <b>you must install a pressure regulator and pressure gauge to the air outlet (if not equipped)</b> of your compressor. Follow the equipment manufacturers recommendation and never exceed the maximum allowable pressure rating of attachments. <b>Never use compressor to inflate small low pressure objects such as children's toys, footballs, basketballs, etc.</b>
<b><u>TIRES:</u></b> Over inflation of tires could result in serious injury and property damage.	Use a tire pressure gauge to check the tires pressure before each use and while inflating tires; see the tire sidewall for the correct tire pressure.  <b>NOTE:</b> Air tanks, compressors and similar equipment used to inflate tires can fill small tires similar to these very rapidly. Adjust pressure regulator on air supply to no more than the rating of the tire pressure. Add air in small increments and frequently use the tire gauge to prevent over inflation.

## HAZARD

### WARNING: Risk from Flying Objects



What Could Happen	How To Prevent It
<p>The <b>compressed air</b> stream can cause <b>soft tissue damage</b> to exposed skin and can <b>propel</b> dirt, chips, <b>loose particles</b>, and small objects at <b>high speed</b>, resulting in property damage or personal injury.</p>	<p>Always wear <b>ANSI Z87.1 approved safety glasses with side shields</b> when using the compressor.</p> <p><b>Never point any nozzle or sprayer toward</b> any part of the body or at other <b>people or animals</b>.</p> <p>Always <b>turn the compressor off and bleed pressure</b> from the air hose and tank before attempting maintenance, attaching tools or accessories.</p>

## HAZARD

### WARNING: Risk of Electrical Shock



What Could Happen	How To Prevent It
<p>Your <b>air compressor is powered by electricity</b>. Like any other electrically powered device, <b>if it is not used properly it may cause electric shock</b>.</p>	<p><b>Never operate</b> the compressor <b>outdoors when it is raining or in wet conditions</b>.</p> <p><b>Never operate compressor with protective covers removed or damaged</b>.</p>
<p><b>Repairs attempted by unqualified personnel can result in serious injury or death by electrocution</b>.</p>	<p>Any <b>electrical wiring or repairs</b> required on this product should be performed by <b>authorized service center personnel</b> in accordance with national and local electrical codes.</p>
<p><b>Electrical Grounding: Failure to provide adequate grounding to this product could result in serious injury or death from electrocution.</b> See grounding instructions.</p>	<p><b>Make certain that the electrical circuit</b> to which the compressor is connected <b>provides proper electrical grounding, correct voltage and adequate fuse protection</b>.</p>

## HAZARD

### WARNING: Risk to Breathing



What Could Happen	How To Prevent It
<p>The <b>compressed air</b> directly from your compressor is <b>not safe for breathing</b>. The air stream may contain <b>carbon monoxide, toxic vapors, or solid particles</b> from the tank. <b>Breathing</b> these contaminants can cause <b>serious injury or death</b>.</p>	<p>Air obtained directly from the compressor <b>should never be used to supply air for human consumption</b>. In order to use air produced by this compressor for breathing, suitable <b>filters and in-line safety equipment must be properly installed</b>. In-line <b>filters and safety equipment</b> used in conjunction with the compressor <b>must be capable of treating air to all applicable local and federal codes prior to human consumption</b>.</p>
<p><b>Sprayed materials</b> such as paint, paint solvents, paint remover, insecticides, weed killers, may <b>contain harmful vapors and poisons</b>.</p>	<p>Work in an area with <b>good cross ventilation</b>. Read and <b>follow the safety instructions</b> provided on the label or safety data sheets <b>for the materials you are spraying</b>. Use a <b>NIOSH/ MSHA approved respirator</b> designed for use with your specific application.</p>

## HAZARD

### WARNING: Risk of Burns



What Could Happen	How To Prevent It
<p><b>Touching exposed metal</b> such as the compressor head or outlet tubes, can result in <b>serious burns</b>.</p>	<p><b>Never touch any exposed metal parts on compressor</b> during or immediately after operation. <b>Compressor will remain hot</b> for several minutes after operation. <b>Do not</b> reach around protective shrouds or <b>attempt maintenance until unit has been allowed to cool</b>.</p>

## HAZARD

### WARNING: Risk from Moving Parts



What Could Happen	How To Prevent It
<p><b>Moving parts</b> such as the pulley, flywheel, and belt can <b>cause serious injury</b> if they come into contact with you or your clothing.</p>	<p><b>Never operate the compressor with guards or covers which are damaged or removed</b>.</p>
<p><b>Attempting to operate</b> compressor with <b>damaged or missing parts</b> or attempting to repair compressor with protective shrouds removed can expose you to moving parts and <b>can result in serious injury</b>.</p>	<p>Any <b>repairs</b> required on this product should be performed by <b>authorized service center personnel</b>.</p>

## HAZARD

**WARNING: Risk of Falling**



What Could Happen	How To Prevent It
A portable <b>compressor</b> can fall from a table, workbench, or roof <b>causing damage to the compressor and could result in serious injury or death to the operator.</b>	Always <b>operate compressor in a stable secure position</b> to prevent accidental movement of the unit. <b>Never operate compressor on a roof or other elevated position.</b> Use additional air hose to reach high locations.

## HAZARD

**WARNING: Risk of Serious Injury or Property Damage When Transporting Compressor**



*(Fire, Inhalation, Damage to Vehicle Surfaces)*

What Could Happen	How To Prevent It
Oil can leak or spill and could result in fire or breathing hazard; serious injury or death can result. oil leaks will damage carpet, paint or other surfaces in vehicles or trailers.	Always <b>place COMPRESSOR on a protective mat when transporting</b> to protect against damage to vehicle from leaks. Remove COMPRESSOR from vehicle immediately upon arrival at your destination.

## HAZARD

**WARNING: Risk of Unsafe Operation**



What Could Happen	How To Prevent It
Unsafe operation of your air compressor could lead to serious injury or death to you or others.	<b>Review and understand</b> all instructions and <b>warnings</b> in this manual. <b>Become familiar with the operation and controls</b> of the air compressor. <b>Keep operating area clear</b> of all persons, pets, and obstacles. <b>Keep children away</b> from the air compressor <b>at all times.</b> <b>Do not operate</b> the product <b>when fatigued or under the influence of alcohol or drugs.</b> <b>Stay alert at all times.</b> <b>Never defeat the safety features</b> of this product. <b>Equip area of operation</b> with a fire extinguisher. <b>Do not operate machine</b> with missing, broken, or unauthorized parts.

**SAVE THESE INSTRUCTIONS**

## GLOSSARY

Become familiar with these terms before operating the unit.

**CFM:** Cubic feet per minute.

**SCFM:** Standard cubic feet per minute; a unit of measure of air delivery.

**PSIG:** Pounds per square inch gauge; a unit of measure of pressure.

**Code Certification:** Products that bear one or more of the following marks: UL, CUL, ETL, CETL, have been evaluated by OSHA certified independent safety laboratories and meet the applicable Underwriters Laboratories Standards for Safety.

**Cut-In Pressure:** While the motor is off, air tank pressure drops as you continue to use your accessory. When the tank pressure drops to a certain low level the motor will restart automatically. The low pressure at which the motor automatically restarts is called "cut-in" pressure.

**Cut-Out Pressure:** When an air compressor is turned on and begins to run, air pressure in the air tank begins to build. It builds to a certain high pressure before the motor automatically shuts off - protecting your air tank from pressure higher than its capacity. The high pressure at which the motor shuts off is called "cut-out" pressure.

**Branch Circuit:** Circuit carrying electricity from electrical panel to outlet.

## DUTY CYCLE

This air compressor pump is capable of running continuously. However, to prolong the life of your air compressor, it is recommended that a 50%-75% average duty cycle be maintained; that is, the air compressor pump should not run more than 30-45 minutes in any given hour.

## SPECIFICATIONS

<b>Model No.</b>	<b>C3551</b>
Running Horsepower	1.3
Bore	2.363"
Stroke	0.890
* Voltage-Single Phase	120
* * Minimum Branch Circuit Requirement	15 amps
* Fuse Type	Time Delay
Air Tank Capacity (Gallon)	4.5 ASME
Approximate Cut-in Pressure	120 PSIG
Approximate Cut-out Pressure	150PSIG
SCFM @ 40 PSIG	5.7
SCFM @ 90 PSIG	4.4

## ACCESSORIES

Accessories for this unit are available at the store the unit was purchased.



## ASSEMBLY

### To Add Oil To Pump

**⚠ CAUTION** DO NOT ATTEMPT TO OPERATE THIS AIR COMPRESSOR WITHOUT FIRST ADDING OIL TO THE CRANKCASE.

Serious damage can result from even limited operation unless filled with oil and broken in correctly. Make sure to closely follow initial start-up procedures.

**⚠ CAUTION** COMPRESSORS ARE SHIPPED WITHOUT OIL. A small amount of oil may be present in the pump upon receipt of the air compressor. This is due to plant testing and does not mean the pump contains oil.

**⚠ CAUTION** Multi-Viscosity motor oils, like 10W30, should not be used in an air compressor. They leave carbon deposits on critical components, thus reducing performance and compressor life. Use air compressor oil only.

**NOTE:** Use an oil specifically formulated for use in an air compressor, such as Porter-Cable PAS1 air compressor oil. Oil may be found at the store where the air compressor was purchased.

1. Place unit on a level surface.

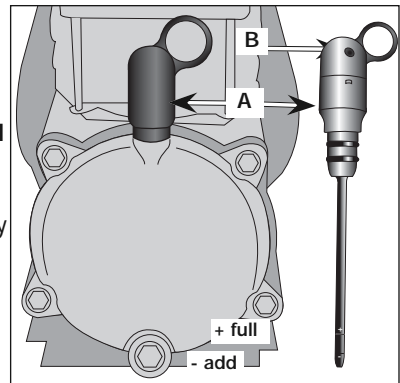
**⚠ WARNING** Drain tank to release air pressure before removing the dipstick.

**⚠ WARNING** Make sure air vent (B) in dipstick is free from debris. If air vent is blocked pressure can build in crankcase causing damage to air compressor and possible personal injury.

2. Remove dipstick (A) and slowly fill crankcase with oil. Crankcase capacity is 6 fluid ounces (177.4 ml). Oil level should be at the + (full) mark on the dipstick.

**NOTE:** If the oil is added too quickly, it will overflow and appear to be full.

3. Replace dipstick.



# INSTALLATION

## HOW TO SET UP YOUR UNIT

### Location of the Air Compressor

- Locate the air compressor in a clean, dry, and well ventilated area.
- The air compressor should be located at least 12" away from the wall or other obstructions that will interfere with the flow of air.
- The air filter must be kept clear of obstructions which could reduce air flow to the air compressor.
- The air compressor requires fresh air flow for proper cooling. **DO NOT ALLOW THE COMPRESSOR TO GET WET.**

### GROUNDING INSTRUCTIONS

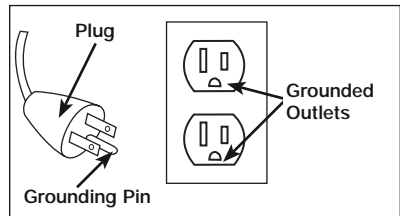
**⚠ WARNING** **RISK OF ELECTRICAL SHOCK.** In the event of a short circuit, grounding reduces the risk of shock by providing an escape wire for the electric current. This air compressor must be properly grounded.

The portable air compressor is equipped with a cord having a grounding wire with an appropriate grounding plug (see following illustrations).

1. The cord set and plug with this unit contains a grounding pin. This plug **MUST** be used with a grounded outlet.

**IMPORTANT:** The outlet being used must be installed and grounded in accordance with all local codes and ordinances.

2. Make sure the outlet being used has the same configuration as the grounded plug. **DO NOT USE AN ADAPTER.** See illustration.
3. Inspect the plug and cord before each use. Do not use if there are signs of damage.
4. If these grounding instructions are not completely understood, or if in doubt as to whether the compressor is properly grounded, have the installation checked by a qualified electrician.



**⚠ WARNING** **IMPROPER GROUNDING CAN RESULT IN ELECTRICAL SHOCK.**

**Do not modify the plug provided. If it does not fit the available outlet, a correct outlet should be installed by a qualified electrician.**

**Repairs to the cord set or plug **MUST** be made by a qualified electrician.**

## Extension Cords

Using extension cords is not recommended. The use of extension cords will cause voltage to drop resulting in power loss to the motor and overheating. Instead of using an extension cord, increase the working reach of the air hose by attaching another length of hose to its end. Attach additional lengths of hose as needed.

If an extension cord must be used, be sure it is:

- a 3-wire extension cord that has a 3-blade grounding plug, and a 3-slot receptacle that will accept the plug on the product
- in good condition
- no longer than 50 feet
- 12 gauge (AWG) or larger. (Wire size increases as gauge number decreases. 10 AWG and 8 AWG may also be used. DO NOT USE 14 OR 16 AWG.)

## Voltage and Circuit Protection

Refer to the specification chart for the voltage and minimum branch circuit requirements.

Certain air compressors can be operated on a 15 amp circuit if the following conditions are met.

1. Voltage supply through branch circuit is 15 amps.
2. Circuit is not used to supply any other electrical needs (lights, appliances, etc.).
3. Extension cords comply with specifications.
4. Circuit is equipped with a 15 amp circuit breaker or 15 amp time delay fuse. **NOTE:** If compressor is connected to a circuit protected by fuses, use only time delay fuses. Time delay fuses should be marked "D" in Canada and "T" in the US.

If any of the above conditions cannot be met, or if operation of the compressor repeatedly causes interruption of the power, it may be necessary to operate it from a 20 amp circuit. It is not necessary to change the cord set.

# OPERATION

## Know Your Air Compressor

READ THIS OWNER'S MANUAL AND SAFETY RULES BEFORE OPERATING YOUR UNIT. Compare the illustrations with your unit to familiarize yourself with the location of various controls and adjustments. Save this manual for future reference.

### Description of Operation

Become familiar with these controls before operating the unit.

**On/Auto/Off Switch (A):** Turn this switch "ON/AUTO" to provide automatic power to the pressure switch and "OFF" to remove power at the end of each use.

**Pressure Switch (B):** The pressure switch automatically starts the motor when the air tank pressure drops below the factory set "cut-in" pressure. It stops the motor when the air tank pressure reaches the factory set "cut-out" pressure.

**Safety Valve (C):** If the pressure switch does not shut off the air compressor at its "cut-out" pressure setting, the safety valve will protect against high pressure by "popping out" at its factory set pressure (slightly higher than the pressure switch "cut-out" setting).

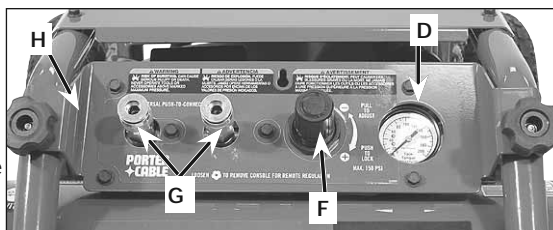
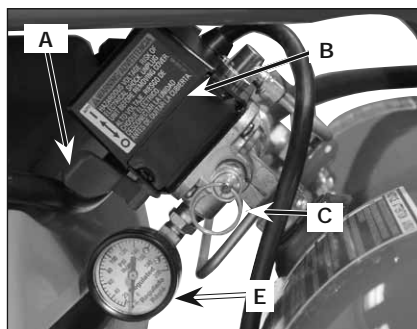
**Outlet Pressure Gauge(D):** The outlet pressure gauge indicates the air pressure available at the outlet side of the regulator. This pressure is controlled by the regulator and is always less than or equal to the tank pressure.

**Tank Pressure Gauge(E):** The tank pressure gauge indicates the reserve air pressure in the tank.

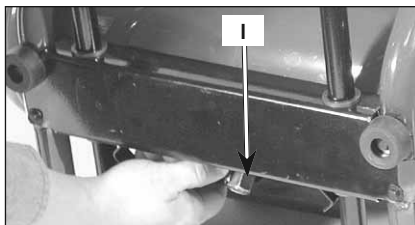
**Regulator (F):** Controls the air pressure shown on the outlet pressure gauge. Pull the knob out and turn clockwise to increase pressure and counterclockwise to decrease pressure. When the desired pressure is reached push knob in to lock in place.

**Universal Quick-Connect Body (G):** The universal quick-connect body accepts the three most popular styles of quick-connect plugs- Industrial, automotive (Tru-flate), and ARO. One hand push-to-connect operation makes connections simple and easy. The two quick connect bodies allow the use of two tools at the same time.

**Remote Console (H):** Permits remote air regulation and control closer to work area, includes two high-flow industrial/automotive style compatible quick-connects, outlet pressure gauge, and a high-flow regulator.



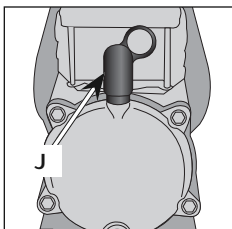
**Drain Valve (I):** The drain valve is located at the base of the air tank and is used to drain condensation at the end of each use.



**Cooling System (not shown):** This compressor contains an advanced design cooling system. At the heart of this cooling system is an engineered fan. It is perfectly normal for this fan to blow air over the pump head, cylinder sleeve, and crankcase. You know the cooling system is working when air is being expelled.

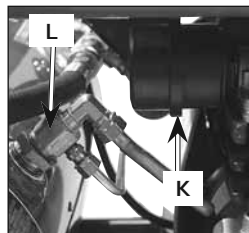
**Air Compressor Pump (not shown):** Compresses air into the air tank. Working air is not available until the compressor has raised the air tank pressure above that required at the air outlet.

**Dipstick (J):** Indicates the amount of oil in the pump, the + mark indicates full and the - mark indicates oil needs to be added. See Oil paragraphs in the Maintenance section for instructions.



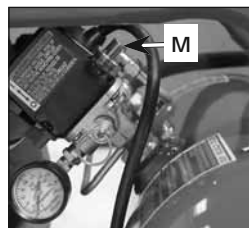
**Motor Thermal Overload Protector (not shown):** The motor has an automatic reset thermal overload protector. If the motor overheats for any reason, the overload protector will shut off the motor. The motor must be allowed to cool down before restarting. The compressor will automatically restart after the motor cools.

**Air Intake Filter (K):** This filter is designed to clean air coming into the pump. This filter must always be clean and ventilation openings free from obstructions. See "Maintenance".



**Check Valve (L):** When the air compressor is operating, the check valve is "open", allowing compressed air to enter the air tank. When the air compressor reaches "cut-out" pressure, the check valve "closes", allowing air pressure to remain inside the air tank.

**Pressure Release Valve (M):** The pressure release valve located on the side of the pressure switch, is designed to automatically release compressed air from the compressor head and the outlet tube when the air compressor reaches "cut-out" pressure or is shut off. The pressure release valve allows the motor to restart freely. When the motor stops running, air will be heard escaping from this valve for a few seconds. No air should be heard leaking when the motor is running, or continuous leaking after unit reaches "cut-out" pressure.



## How to Use Your Unit

### How to Stop:

1. Set the On/Auto/Off lever to "OFF".

### Before Starting

#### Break-in Procedure

**⚠ WARNING** Serious damage may result if the following break-in instructions are not closely followed.

This procedure is required **before** the air compressor is put into service and when the check valve or a complete compressor pump has been replaced.

1. Make sure the On/Auto/Off lever is in the "OFF" position.
2. Check oil level in pump. See "Oil" paragraph in the "Maintenance" section for instructions.
3. Plug the power cord into the correct branch circuit receptacle. (Refer to Voltage and Circuit Protection paragraph in the Installation section of this manual.)
4. Open the drain valve fully (counter-clockwise) to permit air to escape and prevent air pressure build up in the air tank during the break-in period.
5. Move the On/Auto/Off lever to "ON/AUTO" position. The compressor will start.
6. Run the compressor for 20 minutes. Make sure the drain valve is open and there is minimal air pressure build-up in tank.
7. After 20 minutes, close the drain valve (clockwise). The air receiver will fill to "cut-out" pressure and the motor will stop.

The compressor is now ready for use.

**⚠ WARNING** Risk of bursting. Use a tire pressure gauge to check the tires pressure before each use and while inflating tires; see the tire sidewall for the correct tire pressure.

**NOTE:** Air tanks, compressors and similar equipment used to inflate tires can fill small tires similar to these very rapidly. Adjust pressure regulator on air supply to no more than the rating of the tire pressure. Add air in small increments and frequently use the tire gauge to prevent over inflation.

### Before Each Start-Up:

1. Place On/Auto/Off lever to "OFF".
2. Pull regulator knob out, turn counter-clockwise until it stops. Push knob in to lock in place.
3. Attach hose and accessories. **NOTE:** The hose or accessory will require a quick connect plug. To use remote console, see "How to Use Remote Console" paragraph in this section.

**⚠ WARNING** Too much air pressure causes a hazardous risk of bursting. Check the manufacturer's maximum pressure rating for air tools and accessories. The regulator outlet pressure must never exceed the maximum pressure rating.

## How to Start:

1. Turn the On/Auto/Off lever to "ON/AUTO" and allow tank pressure to build. Motor will stop when tank pressure reaches "cut-out" pressure.
2. Pull the regulator knob out and turn clockwise to increase pressure. When the desired pressure is reached push knob in to lock in place. The compressor is ready for use.

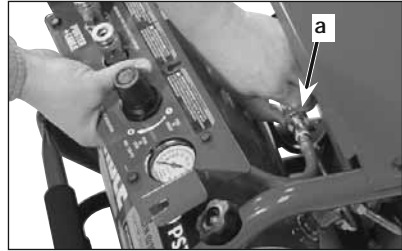
**NOTE:** Always operate the air compressor in well-ventilated areas free of gasoline or other combustible vapors. If the compressor is being used to operate a sprayer DO NOT place near the spray area.

## How to Use Remote Console:

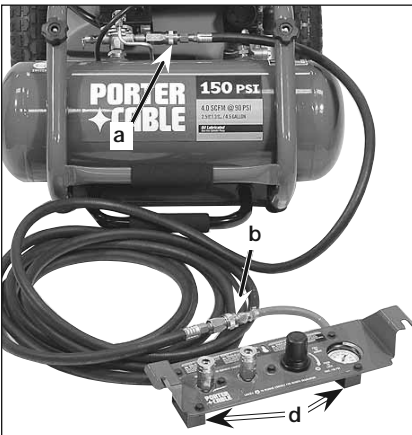
When needed the remote console allows remote air regulation and control closer to the work area.

**CAUTION** Reduce air pressure in tank to 60 psi maximum before removing or connecting portable control panel and when connecting hose to tank quick-connect coupler.

1. Turn knobs counter clockwise to loosen knobs securing control panel.
2. Slide console up and away from frame, disconnect air hose from quick connect (a), and remove console.



3. Connect air hose (sold separately) to quick connect plug (b) and quick connect (a). The console can then be brought closer to the work site to rest on the console brackets (d) or be temporarily mounted using the mounting hole (c).

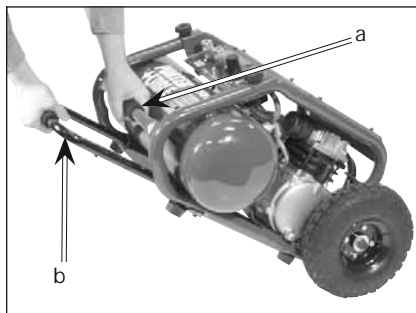


**WARNING** Can cause serious injury or death. Tank may contain 150 PSI of air pressure. Never connect accessories to unregulated air. Never operate tools or accessories above marked maximum pressure.

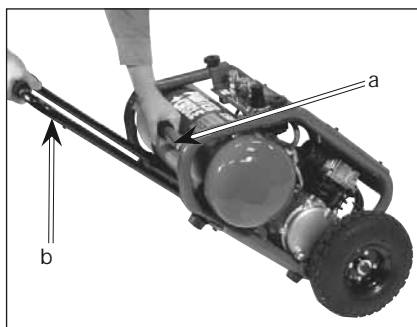
## How to transport unit

The unit has a handle (a) for carrying and a handle (b) for pulling.

1. Grasp carrying handle (a) to lift unit.



2. Slide handle (b) out until it locks into place.



3. Pull unit as shown, do not push unit. **NOTE:** When transporting do not lift the unit to the point where it would tip over backwards.



**IMPORTANT:** Only use pulling handle to pull unit, use the carrying handle to lift and carry unit.



# MAINTENANCE

## Customer Responsibilities

	Before each use	Daily or after each use	Every 8 hours	Every 40 hours	Every 160 hours	Every 100 hours
Check Safety Valve	●					
Drain Tank		●				
Oil Leaks			●			
Check Oil			●			
Change Oil						●
Air Filter				● <sup>1</sup>		
1- more frequent in dusty or humid conditions						

**⚠ CAUTION** Unit cycles automatically when power is on. When performing maintenance, you may be exposed to voltage sources, compressed air, or moving parts. Personal injuries can occur. Before performing any maintenance or repair, disconnect power source from the compressor and bleed off all air pressure.

To ensure efficient operation and longer life of the air compressor outfit, a routine maintenance schedule should be prepared and followed. The following routine maintenance schedule is geared to an outfit in a normal working environment operating on a daily basis. If necessary, the schedule should be modified to suit the conditions under which your compressor is used. The modifications will depend upon the hours of operation and the working environment. Compressor outfits in an extremely dirty and/or hostile environment will require a greater frequency of all maintenance checks.

**NOTE:** See "Operation" section for the location of controls.

### To Check Safety Valve

**⚠ WARNING** If the safety valve does not work properly, over pressurization may occur, causing air tank rupture or an explosion.

1. Before starting compressor, pull the ring on the safety valve to make sure that the safety valve operates freely. If the valve is stuck or does not operate smoothly, it must be replaced with the same type of valve.

### To Drain Tank

1. Set the On/Auto/Off lever to "OFF".
2. Pull the regulator knob out and turn counter clockwise to set the outlet pressure to zero.
3. Remove the air tool or accessory.
4. Pull ring on safety valve allowing air to bleed from the tank until tank pressure is approximately 20 psi. Release safety valve ring.

5. Drain water from air tank by opening drain valve (counter-clockwise) on bottom of tank. **NOTE:** Tilt tank to drain tank completely.

**⚠ WARNING** Water will condense in the air tank. If not drained, water will corrode and weaken the air tank causing a risk of air tank rupture.

6. After the water has been drained, close the drain valve (clockwise). The air compressor can now be stored.

**NOTE:** If drain valve is plugged, release all air pressure. The valve can then be removed, cleaned, then reinstalled.

## Oil

**⚠ WARNING** Drain tank to release air pressure before removing the dipstick or oil drain plug.

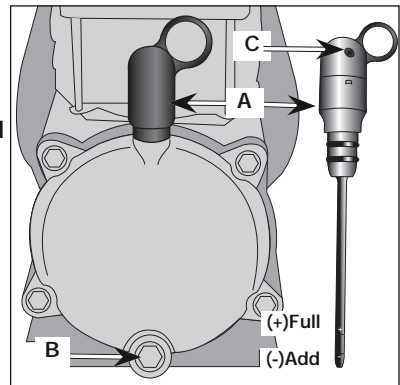
**⚠ WARNING** Compressor head and cylinder sleeve are very hot. Do not touch.

## Checking

1. Set the On/Auto/Off lever to "OFF".
2. Remove dipstick (A) and check oil on dipstick for visual signs of contaminants (water, dirt, etc).

**⚠ WARNING** Make sure air vent (C) in dipstick is free from debris. If air vent is blocked pressure can build in crankcase causing damage to air compressor and possible personal injury.

3. Wipe oil from dipstick.
4. Replace dipstick and allow oil to collect on dipstick.
5. Remove dipstick and check oil level on dipstick, + mark indicates full and the - mark indicates add oil. If oil level is below - mark, slowly add oil until it reaches the + (full) mark on the dipstick.



**NOTE:** Use an oil specifically formulated for use in an air compressor, such as Porter-Cable PAS1 air compressor oil. Oil may be found at the store where the air compressor was purchased.

6. Replace dipstick (A).

## Changing

1. Set the On/Auto/Off lever to "OFF".
2. Remove the dipstick (A).
3. Remove the oil drain plug (B) and drain oil into a suitable container.

## Air Filter - Inspection and Replacement

**⚠ WARNING** Hot surfaces. Risk of burn. Compressor heads are exposed when filter cover is removed. Allow compressor to cool prior to servicing.

A dirty air filter will not allow the compressor to operate at full capacity. Keep the air filter clean at all times.

1. Remove the air filter cover.
2. Remove the air filter from filter cover.

**IMPORTANT:** Do not operate the compressor with the air filter removed.

3. Place new air filter into filter cover. Refer to the "Repair Parts" for the correct part number.
4. Replace air filter cover and lock into place.

## Motor

The motor has an automatic reset thermal overload protector. If the motor overheats for any reason, the overload protector will shut off the motor. The motor must be allowed to cool down before restarting. The compressor will automatically restart after the motor cools.

If the overload protector shuts the motor off frequently, check for a possible voltage problem. Low voltage can also be suspected when:

1. The motor does not get up to full power or speed.
2. Fuses blow out when starting the motor; lights dim and remain dim when motor is started and is running.

## SERVICE AND ADJUSTMENTS

**⚠ WARNING** Unit cycles automatically when power is on. When doing Maintenance, you may be exposed to voltage sources, compressed air or moving parts. Personal injuries can occur. Before performing any Maintenance or repair, unplug the compressor and bleed off all air pressure.

ALL MAINTENANCE AND REPAIR OPERATIONS NOT LISTED MUST BE PERFORMED BY TRAINED SERVICE TECHNICIAN.

**⚠ WARNING** Before servicing:

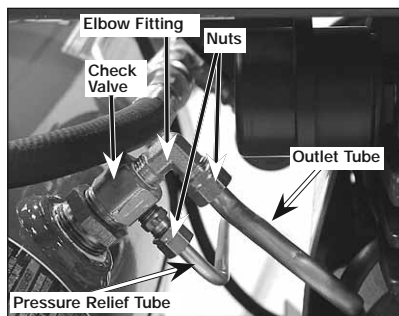
- Unplug or disconnect electrical supply to the air compressor.
- Bleed tank of pressure.
- Allow the air compressor to cool.

### To Replace or Clean Check Valve

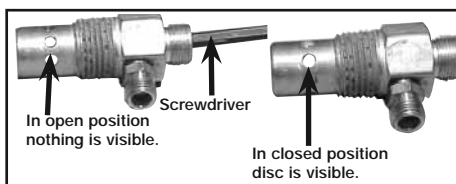
1. Release all air pressure from air tank. See "To Drain Tank" in the Maintenance section.
2. Unplug outfit.

**NOTE:** If needed the top panel may be removed to make parts accessible.

3. Using an adjustable wrench loosen outlet tube nut at air tank and pump. Carefully move outlet tube away from check valve.
4. Using an adjustable wrench loosen pressure relief tube nut at air tank and pressure switch. Carefully move pressure relief tube away from check valve.
5. Unscrew the check valve (turn counterclockwise) using a 7/8" open end wrench. **Note** the orientation for reassembly.



6. Unscrew elbow fitting from the check valve (turn counterclockwise) using an adjustable wrench. Note the orientation of the elbow fitting for reassembly.
7. Using a screwdriver, carefully push the valve disc up and down. **NOTE:** The valve disc should move freely up and down on a spring which holds the valve disc in the closed position. If not, the check valve needs to be cleaned or replaced.
8. Clean or replace the check valve. A solvent, such as paint or varnish remover can be used to clean the check valve.
9. Apply sealant to the check valve threads. Reinstall the check valve and elbow fitting (turn clockwise).
10. Replace the pressure release tube. Tighten nut.
11. Replace the outlet tube and tighten nut.
12. Perform the Break-in Procedure. See "Break-in Procedure" in the Operation section.



## STORAGE

Before you store the air compressor, make sure you do the following:

1. Review the "Maintenance" section on the preceding pages and perform scheduled maintenance as necessary.
2. Set the On/Auto/Off lever to "OFF".
3. Turn the regulator counterclockwise and set the outlet pressure to zero.
4. Remove the air tool or accessory.
5. Pull ring on safety valve allowing air to bleed from the tank until tank pressure is approximately 20 psi. Release safety valve ring.
6. Drain water from air tank by opening drain valve on bottom of tank.

**▲ WARNING** Water will condense in the air tank. If not drained, water will corrode and weaken the air tank causing a risk of air tank rupture.

7. After the water has been drained, close the drain or drain valve.

**NOTE:** If drain valve is plugged, release all air pressure. The valve can then be removed, cleaned, then reinstalled.

8. Wrap electrical cord onto the cord wrap as shown.
9. Protect the air hose from damage (such as being stepped on or run over).
10. Push pulling handle into place for storage.
11. Store the air compressor in a clean and dry location.



**IMPORTANT:** Only use pulling handle to pull unit, use the carrying handle to lift and carry unit.

## TROUBLESHOOTING

**⚠ WARNING** Performing repairs may expose voltage sources, moving parts or compressed air sources, moving parts or compressed air sources. Personal injury may occur. Prior to attempting any repairs, unplug the air compressor and bleed off all air tank air pressure.

PROBLEM	CAUSE	CORRECTION
Excessive tank pressure - safety valve pops off.	<p>Pressure switch does not shut off motor when compressor reaches "cut-out" pressure.</p> <p>Pressure switch "cut-out" too high.</p>	<p>Move On/Auto/Off lever to the "OFF" position, if the outfit does not shut off contact a Trained Service Technician.</p> <p>Contact a Trained Service Technician.</p>
Air leaks at fittings.	Tube fittings are not tight enough.	<p>Tighten fittings where air can be heard escaping.</p> <p>Check fittings with soapy water solution. DO NOT OVERTIGHTEN.</p>
Air leaks at or inside check valve	Check valve seat damaged.	<p>A defective check valve results in a constant air leak at the pressure release valve when there is pressure in the tank and the compressor is shut off. Replace check valve. Refer the "To Replace or Clean Check Valve" in the "Service and Adjustment" section.</p>
Air leaks at pressure switch release valve. (if equipped)	Defective pressure switch release valve.	Contact a Trained Service Technician.
Air leaks in air tank or at air tank welds.	Defective air tank.	<p>Air tank must be replaced.</p> <p><b>⚠ WARNING</b> Do not repair the leak. <b>Do not drill into, weld or otherwise modify air tank or it will weaken. The tank can rupture or explode.</b></p>
Air leaks between head and valve plate.	Leaking seal.	Contact a Trained Service Technician.

PROBLEM	CAUSE	CORRECTION
Pressure reading on the regulated pressure gauge (if equipped) drops when an accessory is used.	It is normal for "some" pressure drop to occur.	If there is an excessive amount of pressure drop when the accessory is used, adjust the regulator as instructed in the Operation section. <b>NOTE:</b> Adjust the regulated pressure under flow conditions (while accessory is being used).
Air leak from safety valve.	Possible defect in safety valve.	Operate safety valve manually by pulling on ring. If valve still leaks, it should be replaced.
Compressor is not supplying enough air to operate accessories.	<p>Prolonged excessive use of air. Compressor is not large enough for air requirement.</p> <p>Hole in hose.</p> <p>Check valve restricted.</p> <p>Air leaks.</p> <p>Restricted air intake filter</p>	<p>Decrease amount of air usage.</p> <p>Check the accessory air requirement. If it is higher than the SCFM or pressure supplied by your air compressor, you need a larger compressor. Check and replace if required.</p> <p>Remove and clean, or replace.</p> <p>Tighten fittings.</p> <p>Clean or replace air intake filter. Do not operate the air compressor with the filter removed. Refer to the "Air Filter" paragraph in the "Maintenance" section.</p>
Restricted air intake	Dirty air filter.	Clean or replace. See "Air Filter" paragraph in the "Maintenance" section.
Regulator knob has continuous air leak.	Damaged regulator	Have checked by a Trained Service Technician.
Regulator will not shut off air outlet.	Damaged regulator	Have checked by a Trained Service Technician.

PROBLEM	CAUSE	CORRECTION
<p>Motor will not run.</p>	<p>Motor overload protection switch has tripped</p>	<p>Let motor cool off and overload switch will automatically reset.</p>
	<p>Tank pressure exceeds pressure switch "cut-in" pressure.</p>	<p>Motor will start automatically when tank pressure drops below "cut-in" pressure of pressure switch.</p>
	<p>Check valve stuck open.</p>	<p>Remove and clean, or replace.</p>
	<p>Loose electrical connections.</p>	<p>Check wiring connection inside pressure switch and terminal box area.</p>
	<p>Possible defective motor or starting capacitor.</p>	<p>Have checked by a Trained Service Technician.</p>
	<p>Paint spray on internal motor parts.</p>	<p>Have checked by a Trained Service Technician. Do not operate the compressor in the paint spray area. See flammable vapor warning.</p>
	<p>Pressure release valve on pressure switch has not unloaded head pressure.</p>	<p>Bleed the line by pushing the lever on the pressure switch to the "OFF" position; if the valve does not open, replace switch.</p>
	<p>Fuse blown, circuit breaker tripped.</p>	<ol style="list-style-type: none"> <li>1. Check fuse box for blown fuse and replace as necessary. Reset circuit breaker. Do not use a fuse or circuit breaker with higher rating than that specified for your particular branch circuit.</li> <li>2. Check for proper fuse. You should use a time delay fuse.</li> <li>3. Check for low voltage conditions and/or proper extension cord.</li> <li>4. Disconnect the other electrical appliances from circuit or operate the compressor on its own branch circuit.</li> </ol>



PROBLEM	CAUSE	CORRECTION
Knocking Noise.	<p>Possible defect in safety valve.</p> <p>Defective check valve.</p> <p>Compressor mounting screws loose</p> <p>Carbon build-up in pump</p>	<p>Operate safety valve manually by pulling on ring. If valve still leaks, it should be replaced.</p> <p>Remove and clean, or replace.</p> <p>Tighten mounting screws, see Parts manual for torque specifications.</p> <p>Have checked by a Trained Service Technician.</p>
Squealing sound.	Compressor pump has no oil.	See Oil-Checking paragraph in the Maintenance section.

## LIMITED WARRANTY

**PORTER-CABLE CORPORATION** warrants to the original purchaser that all products covered under this warranty are free from defects in material and workmanship. Products covered under this warranty include air compressors, air tools, service parts, pressure washers, and generators, which have the following warranty periods:

- 3 YEARS** - Limited warranty on 2-stage oil-free air compressor pumps that operate at 1725 RPM.
- 2 YEARS** - Limited warranty on oil-lubricated air compressor pumps.
- 1 YEAR** - Limited warranty on all other air compressor components.
- 2 YEARS** - Limited warranty on electric generator alternators.
- 1 YEAR** - Limited warranty on other generator components.
- 2 YEARS** - Limited warranty on pneumatic air tools as described in Porter-Cable general catalog.
- 1 YEAR** - Limited warranty on pressure washers used in consumer applications (i.e. personal residential household usage only).
- 90 DAY** - Pressure washers used for commercial applications (income producing) and service parts.
- 1 YEAR** - Limited warranty on all accessories.

**Porter-Cable** will repair or replace, at **Porter-Cable's** option, products or components which have failed within the warranty period. Service will be scheduled according to the normal work flow and business hours at the service center location, and the availability of replacement parts. All decisions of **Porter-Cable Corporation** with regard to this limited warranty shall be final.

This warranty gives you specific legal rights, and you may also have other rights which vary from state to state.

### RESPONSIBILITY OF ORIGINAL PURCHASER (initial User):

- To process a warranty claim on this product, DO NOT return it to the retailer. The product must be evaluated by a **Porter-Cable** Authorized Warranty Service Center. For the location of the nearest **Porter-Cable** Authorized Warranty Service Center call 1-888-559-8550, 24 hours a day, 7 days a week.
- Retain original cash register sales receipt as proof of purchase for warranty work.
- Use reasonable care in the operation and maintenance of the product as described in the Owners Manual(s).
- Deliver or ship the product to the nearest **Porter-Cable** Authorized Warranty Service Center. Freight costs, if any, must be paid by the purchaser.
- Air compressors with 60 and 80 gallon tanks will be inspected at the site of installation. Contact the nearest **Porter-Cable** Authorized Warranty Service Center that provides on-site service calls, for service call arrangements.
- If the purchaser does not receive satisfactory results from the **Porter-Cable** Authorized Warranty Service Center, the purchaser should contact Porter-Cable.

### THIS WARRANTY DOES NOT COVER:

- Merchandise sold as reconditioned, used as rental equipment, and floor or display models.
- Merchandise that has become damaged or inoperative because of ordinary wear, misuse\*, cold, heat, rain, excessive humidity, freeze damage, use of improper chemicals, negligence, accident, failure to operate the product in accordance with the instructions provided in the Owners Manual(s) supplied with the product, improper maintenance, the use of accessories or attachments not recommended by **Porter-Cable**, or unauthorized repair or alterations.
- \* An air compressor that pumps air more than the recommended duty cycle during a one hour period may be considered misuse.
- Repair and transportation costs of merchandise determined not to be defective.
- Costs associated with assembly, required oil, adjustments or other installation and start-up costs.
- Expendable parts or accessories supplied with the product which are expected to become inoperative or unusable after a reasonable period of use, including but not limited to sanding disks or pads, saw and shear blades, grinding stones, springs, chisels, nozzles, o-rings, air jets, washers and similar accessories.
- Merchandise sold by **Porter-Cable** which has been manufactured by and identified as the product of another company, such as gasoline engines. The product manufacturer's warranty, if any, will apply.
- **ANY INCIDENTAL, INDIRECT OR CONSEQUENTIAL LOSS, DAMAGE, OR EXPENSE THAT MAY RESULT FROM ANY DEFECT, FAILURE OR MALFUNCTION OF THE PRODUCT IS NOT COVERED BY THIS WARRANTY.** Some states do not allow the exclusion or limitation of incidental or consequential damages, so the above limitation or exclusion may not apply to you.
- **IMPLIED WARRANTIES, INCLUDING THOSE OF MERCHANTABILITY OR FITNESS FOR A PARTICULAR PURPOSE, ARE LIMITED TO ONE YEAR FROM THE DATE OF ORIGINAL PURCHASE.** Some states do not allow limitations on how long an implied warranty lasts, so the above limitations may not apply to you.

# PORTER-CABLE®

*Porter-Cable Corporation*  
Jackson, TN USA  
1-888-559-8550

# Manual de Instrucciones

MODELO  
C3551

ENGLISH: PAGE 1  
FRANÇAIS: PAGE 53

## **JOB BOSS™** Compresor de aire Transmisión directa Con aceite Portátil



Para obtener más información sobre Porter-Cable, visite nuestro sitio web en:

<http://www.porter-cable.com>

**PORTER-CABLE®**

Copyright © 2004 Porter-Cable Corporation

### IMPORTANTE

*Asegúrese de que la persona que va a usar esta herramienta lea cuidadosamente y comprenda estas instrucciones antes de empezar a operarla.*

La placa de números de modelo y de serie, está situada en elbastidor. Anote estos números en las líneas de abajo y guárdelos para su referencia en el futuro.

Número de modelo \_\_\_\_\_

Tipo \_\_\_\_\_

Número de serie \_\_\_\_\_

Pieza N<sup>o</sup>. A16759-062-0

## DEFINICIONES DE NORMAS DE SEGURIDAD

Este manual contiene importante información para que usted sepa y comprenda. Dicha información se relaciona con la protección de **SU SEGURIDAD Y LA PREVENCIÓN DE PROBLEMAS AL EQUIPO**. Para ayudarlo a reconocer esa información, utilizamos los símbolos indicados más abajo. **Sírvase leer el manual y prestar atención a dichos símbolos.**

<b>⚠ PELIGRO</b> Indica una situación de inminente riesgo, la cual, si no es evitada, <b>causará la <u>muerte o lesiones serias.</u></b>	<b>⚠ PRECAUCIÓN</b> Indica una situación potencialmente peligrosa, la cual, si no es evitada, <b>podría resultar en <u>lesiones menores o moderadas.</u></b>
<b>⚠ ADVERTENCIA</b> Indica una situación potencialmente riesgosa, que si no es evitada, <b>podría resultar en la <u>muerte o lesiones serias.</u></b>	<b>PRECAUCIÓN</b> Usado sin el símbolo de seguridad de alerta indica una situación potencialmente riesgosa la que, si no es evitada, podría causar <b><u>daños en la propiedad.</u></b>

## IMPORTANTES INSTRUCCIONES DE SEGURIDAD

**⚠ ADVERTENCIA** Algunos tipos de aserrín creados por máquinas eléctricas de lijado, aserrado, amolado, perforado u otras actividades de la construcción, contienen materiales químicos conocidos (en el Estado de California) como causantes de cáncer, defectos de nacimiento u otros daños del aparato reproductivo. Algunos ejemplos de dichos productos químicos son:

- El plomo contenido en algunas pinturas con base de plomo
- Sílice cristalizado proveniente de los ladrillos, el cemento y otros productos de albañilería
- Arsénico y cromo provenientes del tratamiento químico dado a la madera

Su riesgo a dichas exposiciones variará dependiendo de la frecuencia con la que usted realice diferentes tipos de trabajo. Para reducir su exposición a la acción de dichos agentes químicos: trabaje en zonas bien ventiladas, y hágalo con equipo de seguridad aprobado, use siempre protección facial o respirador **MSHA / NIOSH** aprobados cuando deba utilizar dichas herramientas.

Al utilizar herramientas neumáticas también deben tomarse precauciones básicas de seguridad, a fin de reducir la posibilidad de riesgo de lesiones personales.

# INSTRUCCIONES IMPORTANTES DE SEGURIDAD



## GUARDE ESTAS INSTRUCCIONES



La operación o el mantenimiento inadecuados de este producto podrían ocasionar serias lesiones y daños a la propiedad. Lea y comprenda todas las advertencias e instrucciones de funcionamiento antes de utilizar este equipo.

### PELIGRO

**ADVERTENCIA: Riesgo de Explosión o Incendio**



qué puede ocurrir	cómo prevenirlo
Para los contactos eléctricos es normal la existencia de chispas entre el motor y el interruptor a presión.	Opere siempre el compresor en un sector bien ventilado y libre de materiales combustibles, gasolina o emanaciones de solvente.
Si las chispas eléctricas provenientes del compresor toman contacto con emanaciones de materiales inflamables, ellos podrían arder originando incendio o explosión.	En un área de rociado de materiales inflamables, ubique al compresor por lo menos a 6,1m (20 pies) de distancia del área de rociado. Podría requerirse una extensión de la manguera.  Almacene los materiales inflamables en una ubicación segura, alejados del compresor.
Restringir cualquiera de las aberturas de ventilación causará un serio recalentamiento y podría producir un incendio.	Jamás coloque objetos apoyados o sobre el compresor. Opere el compresor en un sector abierto, por lo menos a 30 cm (12 pulgadas) alejado de cualquier pared u obstrucción que restrinja el flujo de aire fresco a las aberturas de ventilación. Opere el compresor en un sector limpio, seco, y bien ventilado. No opere la unidad en espacios cerrados o cualquier área confinada.
Dejar desatendido este producto mientras el mismo está en funcionamiento puede resultar en lesiones personales o daños a la propiedad. Para reducir el riesgo de incendio, no permita que el compresor opere desatendido.	Manténgase siempre alerta cada vez que el producto este funcionando. Desconecte siempre el suministro eléctrico moviendo la palanca conmutadora de presión a la posición de apagado (off), y drene el tanque diariamente o después de cada uso.

## PELIGRO

### ADVERTENCIA: Riesgo de Explosión



Tanque de aire: las siguientes condiciones podrían, causar el debilitamiento del tanque, y determinar su explosión violenta, daños a la propiedad o serias lesiones.

qué puede ocurrir	cómo prevenirlo
Drenaje inadecuado del agua condensada en el tanque, siendo la causa del óxido que reduce el espesor del tanque de acero.	Drene el tanque diariamente o después de cada uso. Si el tanque genera una pérdida, reemplácelo inmediatamente con un nuevo tanque o reemplace el compresor completo.
Modificaciones o intento de reparaciones al tanque.  Modificaciones no autorizadas a la válvula de descarga, válvula de seguridad o cualquier otro componente que controle la presión del tanque.	Jamás perforo, suelde, o efectúe modificación alguna al tanque o sus accesorios.
La vibración excesiva puede debilitar el tanque de aire y causar su ruptura o explosión.	El tanque está diseñado para resistir presiones operativas específicas. <b>Jamás efectúe ajustes o sustituya partes que alteren las regulaciones de presión originales de fábrica.</b>
<b><u>AGREGADOS Y ACCESORIOS</u></b> El exceso a los valores de presión establecidos para las herramientas neumáticas, pistolas rociadoras, accesorios activados por aire, cubiertas y otros objetos inflables, puede causar su explosión o ser arrojados, pudiendo ocasionar serias lesiones.	Para un control esencial de la presión, <b>debe usted instalar un regulador y un medidor de presión a la salida del aire</b> de su compresor. (Si no estuviere equipado) Siga las recomendaciones de los fabricantes de su equipo y jamás exceda los valores máximos de presión permitidos para los accesorios. <b>Jamás use el compresor para inflar objetos que requieren poca o baja presión, tales como juguetes para los niños, pelotas de fútbol, pelotas de basquet, etc.</b>
<b><u>NEUMÁTICOS:</u></b> El inflado excesivo de los neumáticos podría causar lesiones graves y daño a la propiedad.	Utilice un medidor de presión de neumáticos para controlar la presión de éstos antes de cada uso y mientras los infla; observe el flanco para ver la presión correcta del neumático.  <b>NOTA:</b> Los tanques de aire, los compresores y el equipo similar que se usa para inflar neumáticos pueden llenar neumáticos pequeños como éstos con mucha rapidez. Ajuste el regulador de presión sobre el suministro de aire a un valor no superior a la calificación de la presión del neumático. Agregue aire en forma gradual y use con frecuencia el medidor de presión de neumáticos para evitar inflarlos en exceso.

## PELIGRO

ADVERTENCIA: Riesgo de Objetos Arrojadados por el Aire



qué puede ocurrir	cómo prevenirlo
<p>El chorro de aire comprimido puede causar daños sobre los tejidos blandos de la piel expuesta, y puede propulsar suciedad, astillas, partículas sueltas y pequeños objetos a alta velocidad, ocasionando daños a la propiedad o lesiones personales.</p>	<p>Al utilizar el compresor, use siempre anteojos de seguridad ANSI Z87.1 aprobados, con protección lateral.</p> <p>Jamás apunte ninguna boquilla o pulverizador hacia partes del cuerpo, a otras personas o animales.</p> <p>Apague siempre el compresor y purgue la presión de la manguera del aire y del tanque, antes de intentar el mantenimiento, el acople de herramientas o accesorios.</p>

## PELIGRO

ADVERTENCIA: Riesgo de Descarga Eléctrica



qué puede ocurrir	cómo prevenirlo
<p>Su compresor de aire está accionado por electricidad. Como cualquier otro dispositivo eléctrico impulsado eléctricamente, si no se lo utiliza adecuadamente, podría causarle una descarga eléctrica.</p>	<p>Jamás opere el compresor a la intemperie cuando está lloviendo o en condiciones de humedad.</p> <p>Nunca opere el compresor sin sus defensas o sus cubiertas removidas o dañadas.</p>
<p>Las reparaciones intentadas por personal no calificado podrían ocasionar serias lesiones o la muerte por electrocución.</p>	<p>Cualquier conexión eléctrica o reparación requerida por este producto debe ser efectuada por personal autorizado de los servicentros de acuerdo a los códigos eléctricos nacionales y locales.</p>
<p>CONEXIÓN A TIERRA: Dejar de proveer una adecuada conexión a tierra a este producto podría ocasionar lesiones serias o la muerte por electrocución. Ver instrucciones para la puesta a tierra.</p>	<p>Asegúrese que el circuito eléctrico al cual está conectado el compresor, suministra apropiada conexión a tierra, tensión correcta y una adecuada protección de fusibles.</p>

## PELIGRO

ADVERTENCIA: Riesgo de Inhalación



qué puede ocurrir	cómo prevenirlo
<p>El <b>aire comprimido</b> proveniente del compresor no es sano para respirar. El <b>chorro de aire</b> puede contener <b>monóxido de carbono</b>, <b>vapores tóxicos</b> o <b>partículas sólidas</b> provenientes del tanque. La <b>inhalación</b> de dichos <b>contaminantes</b> puede llegar a causar <b>serias lesiones</b> o la <b>muerte</b>.</p>	<p>El <b>aire</b> obtenido directamente del compresor <b>jamás</b> deberá ser utilizado para <b>proveer aire para consumo humano</b>. Para poder utilizar el aire producido por este compresor y hacerlo respirable, <b>deberán</b> instalarse un <b>filtro adecuado</b> y un <b>equipo de seguridad intercalado</b>. Los <b>filtros</b> intercalados tanto como el <b>equipo de seguridad</b> utilizado en conjunto con el compresor, <b>deberán</b> ser <b>capaces de procesar el tratamiento del aire de acuerdo a todos los códigos locales y federales</b>, previo al consumo humano.</p>
<p>El <b>rociado de materiales</b> tales como pintura, solventes, removedores de pintura, insecticidas, mata hierbas, <b>contienen emanaciones dañinas</b> y venenosas.</p>	<p>Trabaje en un <b>área con buena ventilación cruzada</b>. Lea y <b> siga las instrucciones de seguridad</b> provistas en el rótulo o en los datos de las hojas de seguridad <b>del material que está pulverizando</b>. Use el <b>respirador aprobado NIOSH/MSHA</b> designado para utilizarse con su aplicación específica.</p>

## PELIGRO

ADVERTENCIA: Riesgo de Quemaduras



qué puede ocurrir	cómo prevenirlo
<p>Tocar el <b>metal expuesto</b> tal como el cabezal del compresor o los tubos de salida del escape, <b>puede ocasionarle serias quemaduras</b>.</p>	<p><b>Jamás</b> toque partes de metal expuestas en el <b>compresor</b> durante o inmediatamente después de la operación. el <b>compresor permanecerá caliente</b> por varios minutos luego de la operación.</p> <p><b>No lo cubra</b> con fundas protectoras o <b>intente el mantenimiento hasta que la unidad haya alcanzado su enfriamiento</b>.</p>

## PELIGRO

ADVERTENCIA: Riesgo de Partes Móviles



qué puede ocurrir	cómo prevenirlo
<p><b>Partes móviles</b> tales como la polea, el volante y la correa <b>podrían ser la causa de serias lesiones</b> si ellas entraran en contacto con usted o sus ropas.</p>	<p><b>Nunca opere</b> el compresor sin sus defensas o sus cubiertas removidas o dañadas.</p>
<p>Intentar <b>operar el compresor con sus partes dañadas o faltantes</b>, o la <b>reparación del compresor con sus protecciones removidas</b>, puede exponerlo a usted a partes móviles, que podrían resultar en lesiones serias.</p>	<p>Cualquier reparación requerida por este <b>producto debe ser efectuada por personal autorizado de los servicentros</b>.</p>



## PELIGRO

ADVERTENCIA: Riesgo de Caída



qué puede ocurrir	cómo prevenirlo
Un compresor portátil <b>puede caerse</b> de la mesa, el banco de trabajo o del techo <b>dañando al compresor y pudiendo resultar en serias lesiones o la muerte del operador.</b>	Opere siempre el compresor en una <b>posición estable y segura</b> a fin de prevenir el movimiento accidental de la unidad. <b>Jamás opere el compresor sobre un techo u otra posición elevada. Utilice mangueras adicionales de aire para alcanzar posiciones altas.</b>

## PELIGRO

ADVERTENCIA: Riesgo de Serias Lesiones o Daños a la Propiedad al Transportar el Compresor



(Fuego, inhalación, daño a la superficie de vehículos)

qué puede ocurrir	cómo prevenirlo
El aceite <b>puede derramarse</b> y ello podría resultar en serias lesiones o la muerte debido al riesgo de incendio o inhalación. El derrame de aceite <b>daña alfombras, pinturas u otras superficies de vehículos o remolques.</b>	Deposite el compresor sobre una <b>alfombra protectora cuando lo transporte.</b> a fin de proteger al vehículo de pérdidas por goteo, Retire el compresor del vehículo inmediatamente después de su arribo al destino.

## PELIGRO

ADVERTENCIA: Riesgo de Operación Lasegura



qué puede ocurrir	cómo prevenirlo
La <b>operacion insegura</b> de su compresor de aire <b>podría ocasionarle serias lesiones o la muerte a usted u otros.</b>	<p>Revise y <b>comprenda</b> todas las instrucciones y advertencias contenidas en este manual.</p> <p>Familiarícese con los <b>métodos de operación y control</b> del compresor de aire.</p> <p>Mantenga <b>libre la zona</b> de operaciones de persona alguna, animales domésticos y obstáculos.</p> <p>Mantenga <b>alejados a los niños</b> del compresor de aire en todo momento.</p> <p><b>No opere el producto cuando se encuentre fatigado o bajo la influencia del alcohol o drogas. Esté alerta en todo momento.</b></p> <p><b>Jamás altere los elementos de seguridad</b> de este producto.</p> <p>Equipe la zona de operaciones con un <b>extinguidor de fuego.</b></p> <p><b>No opere la máquina si ésta tiene partes faltantes, rotas o no autorizadas.</b></p>

**CONSERVAR ESTAS INSTRUCCIONES**

## GLOSARIO

Familiarícese con los siguientes términos, antes de hacer funcionar la unidad:

**CFM:** (Cubic feet per minute) Pies cúbicos por minuto.

**SCFM:** (Standard cubic feet per minute) Pies cúbicos estándar por minuto; una unidad de medida que permite medir la cantidad de entrega de aire.

**PSIG:** (Pound per square inch) Libras por pulgada cuadrada.

**Código de certificación:** Los productos que usan una o más de las siguientes marcas: UL, CUL, ETL, CETL, han sido evaluados por OSHA, laboratorios independientes certificados en seguridad, y reúnen los estándares suscriptos por los laboratorios dedicados a la certificación de la seguridad.

**Presión mínima de corte:** Cuando el motor está apagado, la presión del tanque de aire baja a medida que usted continúa usando su accesorio. Cuando la presión del tanque baja al valor fijado en fábrica como punto bajo, el motor volverá a arrancar automáticamente. La presión baja a la cual el motor arranca automáticamente, se llama presión "mínima de corte".

**Presión máxima de corte:** Cuando un compresor de aire se enciende y comienza a funcionar, la presión de aire en el tanque comienza a aumentar. Aumenta hasta un valor de presión alto fijado en fábrica antes de que el motor automáticamente se apague protegiendo a su tanque de aire de presiones más altas que su capacidad. La presión alta a la cual el motor se apaga se llama presión "máxima de corte".

**Ramal:** Circuito eléctrico que transporta electricidad desde el panel de control hasta el tomacorriente.

## CICLO DE SERVICIO

Esta bomba compresora de aire es capaz de funcionar continuamente, sin embargo para prolongar la vida útil de su compresor de aire se recomienda mantener un ciclo promedio de servicio que oscile entre el 50% y el 75%; ello significa que la bomba compresora no debería trabajar más de 30 a 45 minutos por hora.

## ESPECIFICACIONES

<b>NO. DE MODELO</b>	<b>C3551</b>
Potencia de trabajo	1,3
Orificio	2,363 pulg. (6,0 cm)
Carrera del pistón	0,890 pulg. (2,3 cm)
* Tensión monofásica	120
** Requerimiento mínimo de circuito	15 A
* Tipo de fusible	"de acción retardada"
Capacidad del tanque de aire (Galón)	4,5 (17,0 litros)
Presión de arranque aproximada	120 PSIG
Presión de corte aproximada	150 PSIG
SCFM @ 40 PSIG	5,7
SCFM @ 90 PSIG	4,4

## ACCESORIOS

Los accesorios pueden encontrarse en el comercio donde fue comprada la unidad, o en un local de artículos de ferretería.

## ENSAMBLADO

### Agregado de aceite a la bomba

**⚠ PRECAUCIÓN** Los compresores se envían sin aceite. Puede llegar a haber una pequeña cantidad de aceite dentro de la bomba al momento de la recepción del compresor de aire. Ello se debe a las verificaciones hechas en planta y no significa que la bomba contenga aceite. No intente operar este compresor de aire sin haberle agregado antes aceite a su cárter. Podrían ocurrir serios daños, incluso luego de un breve funcionamiento, si no se completa con aceite ni se produce el asentamiento correcto. Asegúrese de seguir puntualmente los procedimientos iniciales de marcha.

**⚠ PRECAUCIÓN** Los aceites de viscosidad múltiple, como los del tipo 10W 30, no deben ser usados en compresores de aire. Ellos dejan depósitos de carbón sobre los componentes críticos, reduciendo la eficiencia y vida útil del compresor. Use solamente aceite para compresores de aire.

**NOTA:** Utilice un tipo de aceite específicamente formulado para ser utilizado en compresores de aire, tales como el aceite Porter-Cable PAS1 para compresores de aire. Dicho tipo de aceite puede hallarse en los comercios en los que se vende el compresor de aire.

1. Coloque la unidad sobre una superficie nivelada.

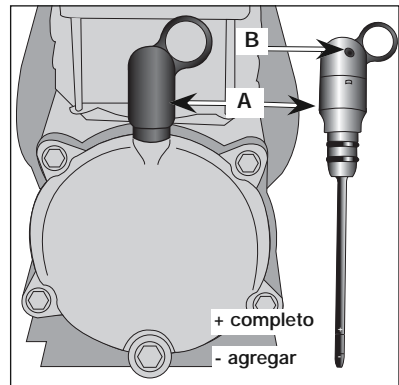
**⚠ PRECAUCIÓN** Drene el tanque para liberar la presión de aire, antes de extraer la varilla medidora del aceite.

**⚠ ADVERTENCIA** Asegúrese que el respirador (B) en la varilla medidora no tenga suciedad. Si el respirador estuviese obstruido, podría acumularse presión en el cárter causando daños al compresor de aire y posiblemente también lesiones personales.

2. Extraiga la varilla de medición (A) y llene lentamente el cárter con aceite. La capacidad del cárter es de 177.4 ml 6 onzas fluidas). El nivel de aceite debe llegar a la marca + (completo) de la varilla indicadora.

**NOTA:** Si se agregase aceite rápidamente, éste rebalsará y parecerá como si estuviese completo.

3. Coloque la varilla de medición nuevamente.



# INSTALACIÓN

## CÓMO PREPARAR LA UNIDAD

### Ubicación del compresor de aire

- Ubique al compresor de aire en una zona limpia, seca y bien ventilada.
- El compresor de aire debe estar separado - por lo menos - a 30 cm (12 pulg.) de la pared u otras obstrucciones que pudiesen interferir el flujo del aire.
- El filtro de aire y el volante deben mantenerse libre de obstrucciones que pudiesen reducir el flujo del aire al compresor.
- El compresor de aire requiere aire fresco para su adecuado enfriamiento. **NO PERMITA QUE EL COMPRESOR SE HUMEDEZCA.**

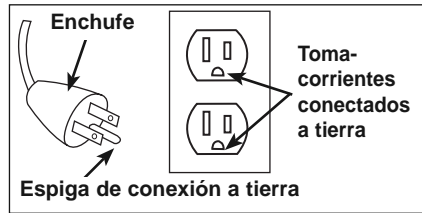
### INSTRUCCIONES PARA CONECTAR A TIERRA

**⚠ ADVERTENCIA** **RIESGO DE DESCARGA ELÉCTRICA** Ante la eventualidad de un cortocircuito, la conexión a tierra reduce el riesgo de electrocución proveyendo un conductor de escape para la corriente eléctrica. Este compresor de aire debe estar adecuadamente conectado a tierra.

El compresor portátil de aire está equipado con un cable que tiene un conductor destinado a tierra, con una espiga apropiada para su conexión (ver las siguientes ilustraciones). El enchufe debe ser utilizado con un toma corriente que haya sido instalado y conectado a tierra de acuerdo a todos los códigos y ordenanzas locales.

1. El cable que acompaña a esta unidad tiene una espiga para conexión a tierra. Esta DEBE ser utilizada con un tomacorriente conectado a tierra.

**IMPORTANTE:** El tomacorriente que será utilizado deberá haber sido conectado a tierra conforme a todos los códigos locales y ordenanzas.



2. Asegúrese de que el tomacorriente que será utilizado tenga la misma configuración que el enchufe de conexión a tierra. **NO UTILICE UN ADAPTADOR.** Ver figura.
3. Inspeccione el enchufe y su cordón antes de cada uso. No use si existieran signos de daños.
4. Si las instrucciones de conexión a tierra no fueran completamente comprendidas, o si se estuviera ante la duda acerca de que el compresor estuviese adecuadamente conectado a tierra, haga verificar la instalación por un electricista competente.

**⚠ ADVERTENCIA** **LA CONEXIÓN INADECUADA A TIERRA PUEDE DETERMINAR UNA DESCARGA ELÉCTRICA.**

No modifique el enchufe provisto. Si el mismo no penetrara el tomacorriente disponible, un electricista competente deberá instalar uno apropiado.

La reparación del cable o del enchufe DEBERÁ ser efectuada por un electricista competente.

## Cables de extensión eléctrica

No se recomienda la utilización de cables de extensión eléctrica. El uso de cables de extensión eléctrica originará una caída de tensión, lo que determinará una pérdida de potencia del motor así como su recalentamiento. En lugar de utilizar un cable de extensión eléctrica, incremente el alcance de la manguera de aire dentro de la zona de trabajo, añadiéndole otro largo de manguera a su extremo. Conecte los largos adicionales de manguera de acuerdo a su necesidad.

Si - no obstante - debe utilizarse una extensión de cable, asegúrese de que:

- La extensión eléctrica de 3 conductores, tenga un enchufe de conexión a tierra de 3 hojas, y que exista un receptáculo que acepte el enchufe del producto.
- Esté en buenas condiciones.
- No más largo que 15,2 m (50 pies).
- Calibre 12 (AWG) o mayor. (La medida de los cables se incrementa a medida que su número ordinal decrece. 10 y 8 AWG pueden ser usados también. NO USE 14 NI 16

## Protección del voltaje y del circuito

Acerca del voltaje y la mínima cantidad de circuitos requeridos, refiérase al Manual de piezas.

Ciertos compresores de aire pueden ser operados en un circuito de 15 A, siempre que se cumplan las siguientes condiciones:

1. Que el voltaje suministrado a través de los ramales del circuito sea de 15 A.
2. Que el circuito no sea utilizado para alimentar ninguna otra necesidad eléctrica (iluminación, artefactos, etc.)
3. Que los cables de extensión cumplan con las especificaciones.
4. El circuito cuenta con un disyuntor de 15 amperios o un fusible de acción retardada de 15 amperios. **NOTA:** Si el compresor está conectado a un circuito protegido por fusibles, use sólo fusibles de acción retardada. Los fusibles de acción retardada deben estar marcados con la letra "D" en Canadá y "T" en EE.UU.

Si cualquiera de las condiciones enumeradas no pudiese ser cumplida, o si el funcionamiento del compresor causara reiteradas interrupciones de la energía con la que se lo alimenta, podría ser necesario operar al mismo desde un circuito de 20 A. Para ello no será necesario cambiar su cable de alimentación.

# OPERACIÓN

## Conozca su compresor de aire

LEA ESTE MANUAL DEL PROPIETARIO Y SUS NORMAS DE SEGURIDAD ANTES DE OPERAR LA UNIDAD. Compare las ilustraciones contra su unidad a fin de familiarizarse con la ubicación de los distintos controles y regulaciones. Conserve este manual para referencias futuras.

### Descripción de operaciones

Familiarícese con estos controles antes de operar la unidad.

**Interruptor On/Auto/Off (A):** Mueva este interruptor a la posición "ON/AUTO" para dar contacto automático al interruptor de presión, y "OFF" para interrumpir la energía eléctrica al término del uso.

**Interruptor de presión (B):** El interruptor de presión permite el arranque automático del motor cuando la presión del tanque disminuye por debajo del valor de la presión de conexión regulada en fábrica. El motor se detendrá cuando la presión del tanque alcance los valores de presión de corte, regulado en fábrica para su desconexión.

**Válvula de seguridad (C):** Si el interruptor de presión dejara de cortar el suministro de presión del compresor conforme a los valores prefijados para la presión de corte, la válvula de seguridad protegerá contra la presión elevada, "saltando" de acuerdo a los valores prefijados en fábrica (ligeramente superiores a los de presión de corte de la llave interruptora.)

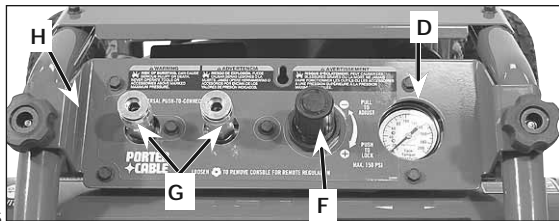
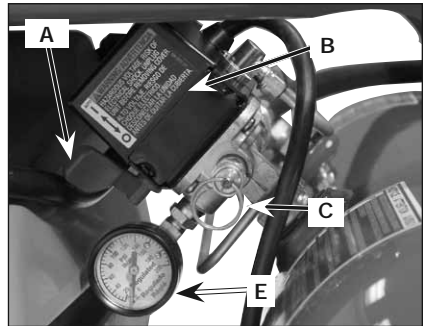
**Manómetro para controlar la presión de salida (D):** Este manómetro indicará la presión de aire disponible a la salida del regulador. Esta presión está controlada por el regulador y es siempre menor o igual que la presión del tanque.

**Manómetro de la presión del tanque (E):** El manómetro que controla la presión del tanque indica la reserva de presión del tanque de aire.

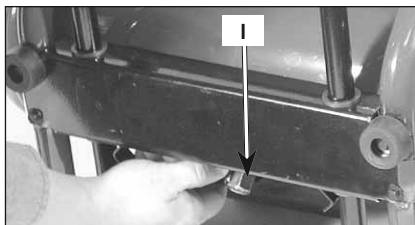
**Regulador (F):** Controla la presión de aire mostrada en el manómetro de salida. Tire de la perilla y gírela en sentido horario para incrementar la presión, y hágalo en sentido inverso para disminuirla. Cuando se logre la presión deseada, presione la perilla para bloquearla.

**Cuerpo universal de conexión rápida (G):** El cuerpo universal de conexión rápida acepta los tres estilos más comunes de conexión universal: industrial, automotor (Tru-flate) y ARO. La operación con una sola mano permite efectuar las conexiones en forma simple y sencilla. Los cuerpos de los dos conectores rápidos permiten el uso de dos herramientas simultáneamente.

**Consola de control de control remoto (H):** permite la regulación del aire y el control más cercano a la zona de trabajo, incluye dos conectores rápidos de alto flujo, compatibles con los de tipo industrial para automotores, manómetro para el control de la presión de salida y regulador del caudal elevado.



**Válvula de drenaje (I):** La válvula de drenaje se encuentra ubicada sobre la base del tanque de aire y se usa para drenar la condensación al fin de cada uso.

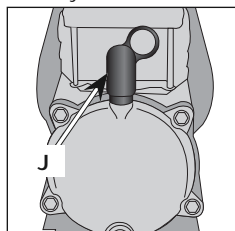


**Sistema de enfriamiento (no mostrado):**

Este compresor contiene un sistema de enfriamiento de avanzada. El núcleo de este sistema de enfriamiento contiene un ventilador diseñado especialmente. Resulta perfectamente normal para este ventilador, soplar aire a través del cabezal de la bomba, la camisa del pistón y el cárter del cigüeñal. Usted sabrá que el sistema de enfriamiento funciona adecuadamente cuando perciba que el aire está siendo expelido.

**Bomba de compresión del aire (no mostrada):** Comprime el aire dentro del tanque. El aire de trabajo no se encuentra disponible hasta que el compresor haya alcanzado a llenar el tanque hasta un nivel de presión por encima del requerido para la salida del aire.

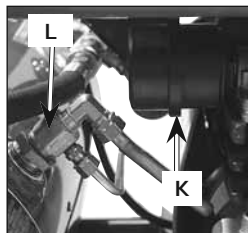
**Varilla medidora (J):** Indica la cantidad de aceite en la bomba; la marca + indica que el nivel está completo, y la marca - indica que es necesario agregar aceite. Para obtener instrucciones, lea los párrafos dedicados al aceite, dentro de la sección Mantenimiento.



**Protector de sobrecalentamiento del motor (no mostrado):**

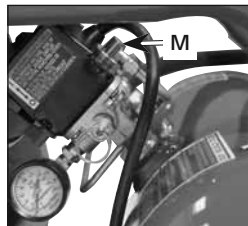
El motor tiene un reposicionamiento automático para la protección térmica. Si por cualquier razón el motor se recalentara, el protector por sobrecalentamiento lo detendrá. El motor deberá dejarse enfriar antes de volver a ponerlo en marcha. El compresor arrancará automáticamente luego que el motor se enfríe.

**Filtro para la entrada del aire (K):** Este filtro está diseñado para limpiar el aire que entra a la bomba. Dicho filtro debe estar siempre limpio y los orificios de ventilación libres de obstrucciones. Vea "Mantenimiento".



**Válvula reguladora (L):** Cuando el compresor de aire se encuentra funcionando, la válvula reguladora esta "abierta", permitiendo la entrada del aire comprimido al tanque de aire. Cuando el nivel de presión del tanque alcanza el punto de "corte", la válvula reguladora "se cierra", reteniendo la presión del aire dentro del tanque.

**Válvula aliviadora de presión (M):** La válvula aliviadora de presión se encuentra ubicada en el costado del interruptor de presión; ha sido diseñada para liberar automáticamente el aire comprimido de la cabeza compresora y el tubo de salida, cuando el compresor de aire alcanza la presión de "corte" o es apagado. La válvula aliviadora de presión permite el arranque libre del motor. Cuando el motor se detiene, debería escucharse el escape del aire a través de dicha válvula durante unos segundos. No debe escucharse escape alguno mientras el motor está en marcha, ni pérdidas continuas una vez que se alcanzó la presión "de corte".



## Cómo utilizar su unidad

### Cómo detenerla:

1. Coloque la posición de la llave interruptora On/Auto/Off en la posición "OFF".

### Antes de poner en marcha

#### Procedimiento para el asentamiento

**⚠ ADVERTENCIA** Si las siguientes instrucciones no fuesen seguidas estrictamente, podrán ocurrir serios daños. Este procedimiento es necesario antes de poner en servicio al compresor de aire, y cuando la válvula reguladora o la bomba completa del compresor haya sido reemplazada

1. Asegúrese que la palanca On/Auto/Off esté en la posición "OFF".
2. Verifique el nivel de aceite en la bomba. Para recibir instrucciones, lea al párrafo "Aceite" en la sección "Mantenimiento".

**NOTA:** Tire del acoplamiento hacia atrás hasta percibir el "clic" que impide el escape del aire de la conexión rápida.

3. Enchufe el cable de alimentación en el receptáculo del ramal del circuito correcto. (Referirse al párrafo "Protección del voltaje y del circuito" en la sección "Instalación" de este manual).
4. Abra completamente la válvula de drenaje (sentido antihorario) a fin de permitir la salida del aire e impedir el aumento de la presión dentro del tanque de aire durante el periodo de asentamiento.
5. Mueva la palanca On/Auto/Off a la posición "ON/AUTO". El compresor se pondrá en marcha.
6. Haga funcionar el compresor durante 15 minutos. Asegúrese de que la válvula de drenaje esté abierta y que la presión de aire acumulado en el tanque sea mínima.
7. Luego de 15 minutos, cierre la válvula de drenaje (sentido horario). El aire recibido irá llenando hasta el punto de "corte" de presión, y el motor se detendrá.

El compresor estará ahora listo para ser usado.

**⚠ ADVERTENCIA** Riesgo de explosión. Utilice un medidor de presión de neumáticos para controlar la presión de éstos antes de cada uso y mientras los infla; observe el flanco para ver la presión correcta del neumático.

**NOTA:** Los tanques de aire, los compresores y el equipo similar que se usa para inflar neumáticos puede llenar neumáticos pequeños como éstos con mucha rapidez. Ajuste el regulador de presión en el suministro de aire a un valor que no supere el de la presión del neumático. Agregue aire en forma gradual y use con frecuencia el medidor de presión de neumáticos para evitar inflarlos.

### Antes de cada puesta en marcha:

1. Coloque el interruptor On/Auto/Off en la posición "OFF" y cierre el regulador de aire.
2. Tire de la perilla del regulador, gire en sentido antihorario hasta el límite. Empuje la perilla hasta su posición bloqueante.
3. Conecte la manguera y accesorios. **NOTA:** La manguera o los accesorios requerirán un conector de enchufe rápido. Para la utilización de la consola de control remoto, lea el párrafo de esta sección: "Cómo utilizar la consola de control remoto".

**⚠ ADVERTENCIA** Demasiada presión de aire podrá ser la causa de riesgo de explosión. Verifique los valores de máxima presión dados por el fabricante de las herramientas neumáticas y los accesorios. La presión de salida del regulador jamás debe exceder los valores de máxima presión especificados.



## Cómo poner en marcha:

1. Mueva la palanca On/Auto/Off a la posición "ON/AUTO" y deje que se incremente la presión del tanque. El motor se detendrá una vez alcanzado el valor de presión "de corte" del tanque.
2. Tire de la perilla del regulador y gire en sentido horario para incrementar la presión. Cuando el valor deseado de presión sea logrado, presione la perilla hasta su posición bloqueante. El compresor estará listo para ser usado.

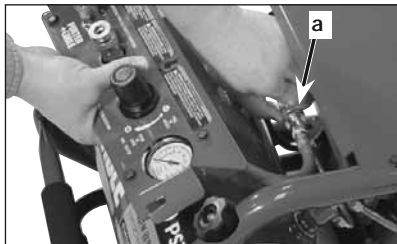
**NOTA:** Opere siempre el compresor de aire en áreas bien ventiladas, libres de gasolina u otras emanaciones combustibles. Si el compresor será utilizado para utilizar un rociador, NO lo coloque en las cercanías de la zona de rociado.

## Cómo utilizar la consola de control remoto:

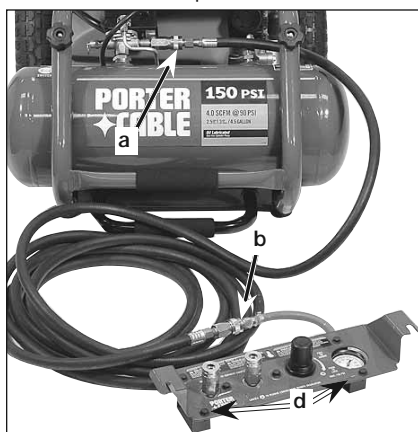
Cuando resulta necesario, la consola de control remoto permite la regulación y el control remotos del aire desde una distancia más cercana a la zona de trabajo.

**⚠ PRECAUCIÓN** Reduzca la presión del aire dentro del tanque a 60 psi máximo, antes de extraer o conectar el panel portátil de control y cuando se conecte la manguera al acoplamiento rápido del tanque.

1. Para aflojar las perilla que retienen el panel de control, gire dicha perilla en sentido horario.
2. Corra la consola hacia fuera y levántela del bastidor; desconecte la manguera de aire de su conector rápido (a) y extráigala.



3. Conecte la manguera del aire (vendida en forma separada) al enchufe de conexión rápida (b) y al conector rápido (a). La consola podrá ser luego llevada a un punto más cercano al sitio de trabajo, y ser apoyada sobre los soportes de la consola (d) o bien ser temporariamente montada utilizando el orificio montante (c).

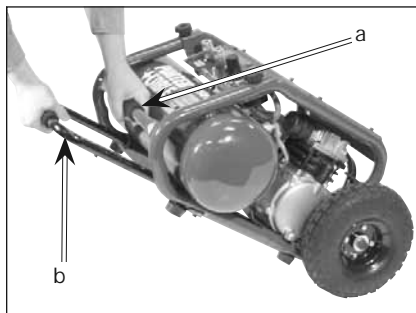


**⚠ ADVERTENCIA** Puede ocasionar lesiones serias o la muerte. El tanque contiene aire a 150 psi de presión. Jamás conecte accesorios a un sistema de aire no regulado. Jamás haga funcionar herramientas ni accesorios por encima de la presión máxima indicada.

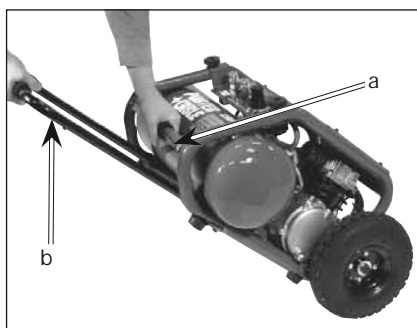
## Cómo transportar la unidad

La unidad tiene un manillar (a) para su acarreo y un manillar (b) para su arrastre.

1. Sujete el manillar de acarreo (a) para la levantar la unidad.



2. Deslice el manillar (b) hasta quedar trabado en posición.



3. Tire de la unidad tal como se indica; no empuje la unidad. **NOTA:** al transportarla, no levante la unidad hasta el punto en que la misma puede caerse en posición invertida.



**IMPORTANTE:** solamente use el manillar de arrastre para arrastrar la unidad; utilice en manillar de acarreo para levantarla y transportarla.

# MANTENIMIENTO

## Responsabilidades del cliente

	Antes de cada uso	Diariamente o luego de cada uso	Cada 8 horas	Cada 40 horas	Cada 100 horas
Verifique la válvula de seguridad	●				
Drenaje del tanque		●			
Pérdidas de aceite			●		
Verifique el aceite			●		
Cambio de aceite			●		●
Filtro de aire				● <sup>1</sup>	
1- Más frecuente en condiciones polvorientas o húmedas.					

**▲ ADVERTENCIA** La unidad funciona automáticamente en ciclos cuando está conectada a la energía. Cuando se realizan trabajos de mantenimiento, usted puede estar expuesto a fuentes de voltaje, aire comprimido o piezas en movimiento. Pueden ocurrir lesiones personales. Antes de realizar cualquier trabajo de mantenimiento o reparación, desconecte la fuente de energía del compresor y purgue toda la presión de aire.

Para asegurar una operación eficiente y una vida útil más prolongada del equipamiento de su compresor de aire debe prepararse y seguirse un programa de mantenimiento de rutina. El siguiente programa de mantenimiento de rutina está diseñado para un equipo funcionando diariamente en un ambiente normal de trabajo. Si fuese necesario, el programa deberá ser modificado para adaptarse a las condiciones bajo las cuales se usa su compresor. Las modificaciones dependerán de las horas de operación y del ambiente de trabajo. Los equipos de compresión funcionando en un ambiente sumamente sucio y hostil requerirán mayor frecuencia de todas las verificaciones de mantenimiento.

**NOTA:** Vea en la sección "Operación" para la ubicación de los controles.

### Cómo verificar la válvula de seguridad

**▲ ADVERTENCIA** Si la válvula de seguridad no trabaja adecuadamente, ello podrá determinar la sobrepresión del tanque, creando el riesgo de su ruptura o explosión.

1. Antes de poner en marcha el motor, tire del anillo de la válvula de seguridad para confirmar la seguridad de que la misma opera libremente, si la válvula quedase trabada o no trabajara cómodamente, deberá ser reemplazada por el mismo tipo de válvula.

### Cómo drenar el tanque

1. Coloque la palanca On/Auto/Off en la posición "OFF".
2. Tire de la perilla del regulador y gire en sentido contrario a las agujas de reloj para establecer la salida de presión en cero.
3. Remueva la herramienta neumática o el accesorio.
4. Tire del aro de la válvula de seguridad dejando purgar el aire del tanque hasta que este reduzca su presión aproximadamente a 20 PSI. Suelte el aro de la válvula de seguridad.

5. Drene el agua contenida en el tanque de aire, abriendo la válvula de drenaje ubicada en la base del tanque (en sentido contrario a las agujas de reloj). **NOTA:** Inclinar el tanque hacia adelante para drenar completamente.

**⚠ ADVERTENCIA** Dentro del tanque se producirá condensación de agua. Si no drena, el agua lo corroerá y debilitará causando un riesgo de ruptura del tanque de aire.

6. Una vez drenada el agua, cierre la válvula de drenaje (girando en sentido horario). Ahora el compresor de aire podrá ser guardado.

**NOTA:** Si la válvula de drenaje fuera del tipo enchufe, elimine toda la presión de aire. La válvula podrá entonces ser extraída, limpiada y finalmente reinstalada.

## Aceite

**⚠ ADVERTENCIA** Drene la presión del tanque antes de extraer el medido de aceite o el tapón de drenaje.

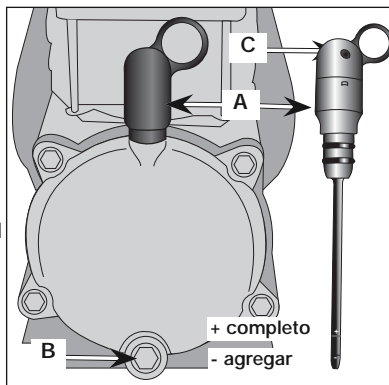
**⚠ ADVERTENCIA** El cabezal del compresor y la camisa del cilindro levantan alta temperatura. No los toque.

## Verifique

1. Que la palanca On/Auto/Off esté en la posición "OFF".
2. Extraiga el medidor de aceite (A) y verifique que en el aceite, no haya signos visuales contaminantes (agua, suciedad, etc.)

**⚠ ADVERTENCIA** Asegúrese que el respirador (C) en la varilla medidora no tenga suciedad. Si el respirador estuviese obstruido, podría acumularse presión en el cárter causando daños al compresor de aire y posiblemente también lesiones personales.

3. Limpie el aceite de la varilla medidora.
4. Reponga el medidor de aceite y deje que el aceite indique su nivel sobre el mismo.
5. Extraiga el medidor de aceite y verifique el nivel; la marca + indica que está completo, y la marca - indica la necesidad de agregar aceite. Si el nivel de aceite está por debajo de la marca, agréguele aceite lentamente hasta que su nivel alcance la marca + (completo) sobre el medidor de aceite.



**NOTA:** Utilice un tipo de aceite específicamente formulado para ser utilizado en compresores de aire, tales como el aceite Porter-Cable PAS1 para compresores de aire. Dicho tipo de aceite puede hallarse en los comercios en los que se vende el compresor de aire.

6. Reponga el medidor de aceite.

## Cambio

1. Que la palanca On/Auto/Off esté en la posición "OFF".
2. Extraiga el medidor de aceite (A).
3. Extraiga el tapón de drenaje de aceite (B) y drene el aceite en un recipiente adecuado.
4. Reponga el tapón (B) de aceite.

## Filtro de Aire - Inspección y reemplazo

**⚠ ADVERTENCIA** Superficies calientes. Riesgo de quemaduras. Las cabezas del compresor están expuestas cuando se retira la cubierta del filtro. Deje enfriar al compresor antes de darle servicio.

Un filtro de aire sucio no permitirá que el compresor opere a plena capacidad. Mantenga el filtro de aire limpio en todo momento.

1. Retire la tapa del filtro de aire.
2. Extraiga el filtro de aire de la cubierta.

**IMPORTANTE:** No opere el compresor sin su filtro de aire.

3. Instale un nuevo filtro de aire dentro la cubierta del filtro. Para obtener el número de pieza correcto. Refiérase a "Piezas de reparación".
4. Reponga la cubierta del filtro de aire y sujétela en su sitio.

### Motor

El motor tiene un protector de sobrecarga térmico de reposición automática. Si el motor se sobrecalienta por alguna razón, el protector de sobrecarga apagará el motor. Debe dejar enfriar el motor antes de volverlo a arrancar. El compresor arrancará automáticamente después que se enfríe el motor.

Si el protector de sobrecarga apaga el motor con mucha frecuencia, verifique si hay algún posible problema de voltaje. También se puede sospechar de bajo voltaje cuando:

1. El motor no alcanza toda su potencia o velocidad.
2. Los fusibles se queman cuando se arranca el motor; las luces se atenúan y siguen atenuadas cuando el motor es arrancado y está en funcionamiento.

## SERVICIO Y AJUSTES

**⚠ ADVERTENCIA** La unidad cicla automáticamente en cuanto la energía eléctrica es conectada. Al efectuar el mantenimiento, usted quedará expuesto a tensión viva, aire comprimido o partes en movimiento. Debido a tales circunstancias, podrían ocurrirle lesiones personales. Antes de efectuar mantenimiento o reparación alguna, desenchufe el compresor y purgue cualquier presión de aire.

**TODO TIPO DE MANTENIMIENTO Y OPERACIONES DE REPARACIÓN NO MENCIONADOS, DEBERÁN SER EFECTUADOS POR PERSONAL TÉCNICO ESPECIALIZADO.**

**⚠ ADVERTENCIA** Antes de dar servicio:

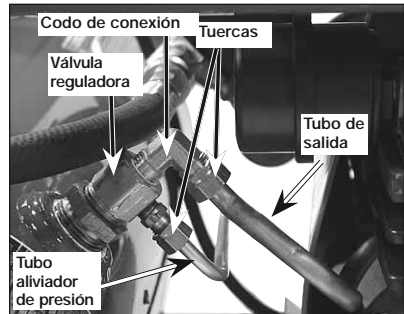
- Desenchufe o desconecte el suministro eléctrico al compresor de aire.
- Purgue la presión del tanque.
- Deje enfriar al compresor de aire.

### Para reemplazar o limpiar la válvula de retención

1. Libere toda la presión del tanque de aire. Vea "Cómo Drenar el Tanque" en la sección "Mantenimiento".
2. Desenchufe el equipo.

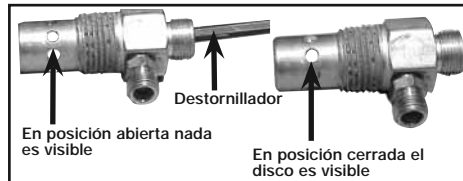
**NOTA:** en caso de necesidad, el panel superior permite ser extraído para tener acceso a las piezas.

3. Utilizando una llave regulable, afloje la tuerca del tubo de salida del tanque de aire y la bomba. Retire cuidadosamente la tubería de salida de la válvula reguladora.
4. Utilizando una llave regulable, afloje la tuerca del tubo aliviador de presión en el tanque de aire y el interruptor de presión. Retire cuidadosamente la tubería de alivio de presión de la válvula reguladora.
5. Desenrosque la válvula reguladora girándola hacia la izquierda usando una llave de boca de 7/8 pulg. (22mm) Tome **nota** de la orientación para volverla a ensamblar.



6. Desenrosque el conector acodado de la válvula reguladora (gire en sentido antihorario) utilizando una llave mecánica. Anote la orientación del codo de conexión para su rearmado.

7. Usando un destornillador, empuje con cuidado el disco de la válvula hacia arriba y hacia abajo. **NOTA:** el disco de válvula deberá poder ser movido libremente hacia arriba y hacia abajo, sobre un resorte que mantiene cerrado al disco de la válvula. En caso negativo, será necesario limpiar o cambiar la válvula reguladora.



8. Limpie o reemplace la válvula reguladora. Un solvente, tal como un removedor de pintura o de barniz puede usarse para limpiar la válvula reguladora.
9. Aplique sellador a las roscas de la válvula reguladora. Vuelva a instalar la válvula reguladora (gire a la derecha).
10. Vuelva a instalar la tubería de alivio de presión. Ajuste las tuerca.
11. Vuelva a instalar la tubería de salida y ajuste las tuerca.
12. Ejecute el procedimiento de puesta en marcha. Vea Procedimiento de Puesta en Marcha" en la sección "Funcionamiento".

## ALMACENAJE

Antes de guardar su compresor de aire, asegúrese de hacer lo siguiente:

1. Revise la sección "Mantenimiento" de las páginas precedentes y ejecute el mantenimiento programado de acuerdo a la necesidad.
2. Coloque la leva On/Auto/Off en la posición "OFF".
3. Gire el regulador en sentido antihorario y fije la presión de salida en cero.
4. Extraiga la herramienta neumática o el accesorio.
5. Tire del anillo de la válvula de seguridad permitiendo el purgado del aire del tanque hasta que la presión del mismo llegue aproximadamente a 20 psi. Suelte el anillo de la válvula de seguridad.
6. Drene el agua del tanque de aire abriendo la válvula de drenaje ubicada en el fondo del tanque.

**⚠ ADVERTENCIA** El agua se condensa dentro del tanque de aire. Si no se drena, ella corroerá debilitando la paredes del tanque de aire, originando un riesgo de ruptura de sus paredes.

7. Una vez que el agua haya sido drenada, cierre la válvula de drenaje.

**NOTA:** Si la válvula de drenaje estuviese enchufada, libere toda la presión de aire. La válvula podrá ser extraída, limpiada y luego reinstalada.

8. Enrolle el cable eléctrico alrededor del enrollador de cable, tal como se muestra.
9. Proteja la manguera del aire contra daños (tales como ser pisoteada o caminada por encima).
10. Introduzca el manillar de arrastre en su sitio de almacenamiento.
11. Almacene el compresor de aire en un sitio limpio y seco.



**IMPORTANTE:** solamente use el manillar de arrastre para tirar de la unidad; utilice el manillar de acarreo para levantarla y transportarla.

## GUÍA DE DIAGNÓSTICO DE PROBLEMAS

**⚠ ADVERTENCIA** El desarrollo de reparaciones puede exponer a sitios con corriente viva, partes en movimiento o fuentes de aire comprimido que podrían ocasionar lesiones personales. Antes de intentar reparación alguna, desenchufe el compresor de aire y purgue toda la presión de aire del tanque.

PROBLEMA	CAUSA	CORRECCIÓN
Presión excesiva del tanque - la válvula de seguridad se dispara.	El interruptor de presión no interrumpe al motor cuando el compresor alcanza la presión "de corte".  El interruptor de presión "de corte" esta calibrado demasiado alto.	Mueva la leva On/Auto/Off a la posición "OFF", si el equipo no corta, contacte a un técnico calificado para el servicio.  Contacte a un técnico de servicio calificado.
Las conexiones pierden aire	Las conexiones de los tubos no están suficientemente ajustadas	Ajuste las conexiones en las que el aire puede ser escuchado escapándose. Verifique las conexiones con solución jabonosa y agua. NO SOBREAJUSTE.
Hay fugas de aire en la válvula de retención o dentro de ella.	Compruebe si el asiento de la válvula está dañado.	Una válvula reguladora defectuosa causa una fuga constante de aire en la válvula de alivio de presión cuando hay presión en el tanque y se apaga el compresor. Reemplace la válvula reguladora. Consulte "Cómo Reemplazar o Limpiar la Válvula Reguladora" en la sección "Servicio y ajuste".
Pérdida de presión de aire en el interruptor de la válvula aliviadora.	Un interruptor de presión defectuoso libera la válvula.	Contacte a un técnico calificado en servicio.
Pérdida de aire en el tanque de aire o en las soldaduras del tanque de aire.	Tanque de aire defectuoso.	El tanque de aire debe ser reemplazado. No repare la pérdida.  <div style="background-color: black; color: white; padding: 2px; display: inline-block;"><b>⚠ ADVERTENCIA</b></div> No efectúe perforación alguna sobre la soldadura o cosa semejante sobre el tanque de aire, ello lo debilitará. El tanque podría romperse o explotar.
Pérdida de aire entre el cabezal y el plato de válvula.	Pérdida en el sellado.	Contacte a un técnico calificado en servicio.



PROBLEMA	CAUSA	CORRECCIÓN
La lectura de la presión sobre un manómetro (si viene equipado con éste) desciende cuando se utiliza un accesorio.	Es normal que ocurra algún descenso en la presión.	Si hubiese una caída excesiva de presión durante el uso del accesorio, ajuste el regulador de acuerdo a las instrucciones de la sección Operación. <b>NOTA:</b> Ajuste la presión regulada bajo condiciones de flujo (mientras se esté usando el accesorio).
Pérdida de aire en la válvula de seguridad.	Posible defecto en la válvula de seguridad.	Opere manualmente la válvula de seguridad, extrayéndola por su anillo. Si la válvula pierde, deberá ser reemplazada.
El compresor no esta suministrando suficiente cantidad de aire para operar los accesorios.	<p>Excesivo y prolongado uso del aire.</p> <p>El compresor no tiene suficiente capacidad para el requerimiento de aire al que está sometido.</p> <p>Orificio en la manguera.</p> <p>Válvula reguladora restringida.</p> <p>Pérdida de aire.</p> <p>Filtro de entrada de aire restringido.</p>	<p>Disminuya la cantidad de uso de aire.</p> <p>Verifique el requerimiento de aire del accesorio. Si es mayor que SCFM o la presión suministrada por su compresor de aire, se necesita un compresor de mayor capacidad.</p> <p>Verifique y reemplace si fuese necesario.</p> <p>Extraiga, limpie o reemplace.</p> <p>Ajuste las conexiones.</p> <p>Limpie o reemplace el filtro de entrada de aire. No opere el compresor de aire sin el filtro. Consulte el párrafo "Filtro de Aire" en la sección "Mantenimiento".</p>
Toma de aire restringida.	Filtro de aire sucio.	Limpie o reemplace. Ver el párrafo "Filtro de Aire" en la sección "Mantenimiento".
El regulador tiene una fuga continua de aire.	Regulador dañado.	Hágala verificar por un técnico entrenado.
El regulador no cierra la salida del aire.	Regulador dañado.	Hágala verificar por un técnico entrenado.

PROBLEMA	CAUSA	CORRECCIÓN
<p>El motor no funciona.</p>	<p>El interruptor de protección des obrecarga del motor se ha abierto.</p>	<p>Deje enfriar el motor y el interruptor de sobrecarga se reajustará automáticamente.</p>
	<p>La presión del tanque excede la presión de "corte máximo" del interruptor de presión.</p>	<p>El motor arrancará automáticamente cuando la presión del tanque caiga por debajo de la presión de corte máxima del interruptor de presión.</p>
	<p>La válvula de retención se ha quedado abierta.</p>	<p>Extraiga, limpie o reemplace.</p>
	<p>Conexiones eléctricas sueltas.</p>	<p>Compruebe la conexión de cableado dentro del interruptor de presión y del área de la caja de terminales.</p>
	<p>Posible motor o capacitor de arranque defectuosos.</p>	<p>Haga inspeccionar por un técnico capacitado de servicio.</p>
	<p>Rociado de pintura en las partes internas del motor.</p>	<p>Haga inspeccionar por un técnico capacitado de servicio. No haga funcionar el compresor en el área de pintura por rociado. Vea la advertencia acerca de vapores inflamables.</p>
	<p>La válvula de liberación de presión en el interruptor de presión no ha descargado la carga de presión.</p>	<p>Purgue la línea empujando la palanca en el interruptor de presión a la posición "OFF" [Apagado]; si la válvula no se abre, reemplace el interruptor.</p>
	<p>Fusible quemado, disyuntor abierto.</p>	<ol style="list-style-type: none"> <li>1. Inspeccione la caja de fusibles para determinar si hay fusibles quemados y reemplácelos según sea necesario. Reajuste el disyuntor. No use un fusible o disyuntor con capacidad mayor que la especificada para su circuito especificado.</li> <li>2. Compruebe si el fusible es el correcto. Debe usar un fusible de acción retardada.</li> <li>3. Compruebe si existen condiciones de bajo voltaje y/o si el cordón de extensión es el correcto.</li> <li>4. Desconecte todos los otros artefactos eléctricos del circuito u opere el compresor en su propio circuito.</li> </ol>

<b>PROBLEMA</b>	<b>CAUSA</b>	<b>CORRECCIÓN</b>
Golpeteo.	<p>Posible defecto en la válvula de seguridad.</p> <p>Posible defecto en la válvula de seguridad.</p> <p>Tornillos montantes del compresor flojos.</p> <p>Acumulación de carbón en la bomba.</p>	<p>Opere la válvula de seguridad manualmente tirando de su anillo. Si la válvula aun pierde, deberá ser reemplazada.</p> <p>Extraiga, limpie o reemplace.</p> <p>Ajustar los tornillos de montaje a, Vea el manual de piezas para conocer las especificaciones de torque.</p> <p>Hágala verificar por un técnico entrenado.</p>
Sonido a chiflido.	La bomba del compresor no tiene aceite.	Ver "verificación del aceite" en la sección "Mantenimiento".

# GARANTÍA LIMITADA

**PORTER-CABLE CORPORATION** garantiza al comprador original de todos los productos cubiertos bajo esta garantía, que los mismos se encuentran libres de defectos en materiales y mano de obra. Los productos cubiertos bajo esta garantía incluyen todos los compresores de aire, herramientas neumáticas, piezas de servicio, lavadoras a presión y generadores, los cuales tienen los siguientes periodos de garantía:

**3 AÑOS** - Garantía limitada en las bombas compresoras de 2 tiempos sin aceite, que operan a 1725 RPM.

**2 AÑOS** - Garantía limitada en las bombas compresoras de aire, lubricadas con aceite.

**1 AÑO** - Garantía limitada en todos los componentes de los otros compresoras de aire.

**2 AÑOS** - Garantía limitada en los generadores de corriente alterna.

**2 AÑOS** - Garantía limitada en las herramientas.

**1 AÑO** - Garantía limitada en lavadoras a presión usadas en aplicaciones domésticas (por ej. Uso residencial y personal exclusivo).

**90 DÍAS** - Lavadoras a presión utilizadas para usos comerciales (que producen ingresos) y piezas de servicio.

**1 AÑO** - Garantía limitada sobre todos los servicios.

**Porter-Cable** reparará o reemplazará, a opción de **Porter-Cable**, productos o componentes con fallas, que se encuentren comprendidos dentro del periodo de garantía. El servicio será programado de acuerdo al flujo normal de trabajo y el horario normal de atención a clientes en el domicilio del servicentro, y conforme a la disponibilidad de piezas de reemplazo. Todas las decisiones de **Porter-Cable Corporation** relacionadas con esta garantía limitada, serán definitivas.

Esta garantía le otorga derechos legales específicos, aunque también usted podría tener otros derechos que podrán variar entre estados.

## RESPONSABILIDAD DEL COMPRADOR ORIGINAL (Usuario inicial):

- Para procesar un reclamo de garantía sobre este producto, NO lo devuelva al comercio vendedor. El producto deberá ser evaluado por un servicentro autorizado de **Porter Cable** para la atención de garantías. Para informarse de la ubicación más cercana del servicentro autorizado para atención de garantías de **Porter-Cable**, llame al 1-888-559-8550 que atiende 24 horas diarias, los 7 días de la semana.
- Retenga el recibido de venta original, como comprobante de su compra, para obtener la atención de su garantía.
- Mantenga un cuidado razonable en la operación y mantenimiento del producto, de acuerdo a lo descrito en el(los) Manual(es) del propietario.
- Entregue o envíe el producto al servicentro autorizado para atención de garantías de **Porter-Cable** más cercano. Los costos de flete, si hubiese alguno, deberán ser abonados por el comprador.
- Únicamente los compresores de aire con tanques de 60 y 80 galones serán inspeccionados en el sitio de instalación. Contacte el servicentro autorizado para atención de garantías de **Porter-Cable** más cercano que provea atención domiciliaria de solicitudes de servicio, para efectuar los arreglos para la prestación de dicho servicio.
- Si el comprador no obtuviese un resultado satisfactorio de parte del servicentro autorizado para atención de garantías de **Porter-Cable**, deberá contactar a **Porter-Cable**.

## ESTA GARANTÍA NO CUBRE:

- Mercadería vendida como reacondicionada, usada como equipo en alquiler y modelos de piso para exhibición.
- La mercadería que se encuentre dañada o inoperante debido al uso ordinario, inadecuado, frío, calor, lluvia, humedad excesiva, dañada por congelamiento, uso de productos químicos inapropiados, negligencia, accidente, fallas en la operación del producto relacionado con las instrucciones contenidas en el(los) Manual(es) del propietario provistos con el producto, mantenimiento inadecuado, uso de accesorios o agregados no recomendados por **Porter-Cable**, reparaciones no autorizadas o modificaciones.
- \* Un compresor de aire que bombea aire por más del tiempo recomendado para su ciclo promedio de servicio durante cada hora, puede considerarse como maltrato.
- Los costos de reparación y transporte de la mercadería determinada no defectuosa.
- Los costos asociados con el armado, aceite requerido, regulaciones u otros costos de instalación y puesta en marcha.
- Las partes consumibles o accesorios provistos con el producto cuya expectativa de desgaste e inoperatividad luego de un periodo razonable de uso, incluido pero no limitado a discos de lijado o almohadillas, sierras y hojas cortantes, piedras de amolar, resortes, cortantes, picos, o-rings, picos de aire, lavadoras y accesorios similares.
- La mercadería vendida por **Porter-Cable** que haya sido fabricada e identificada como producto de otra empresa. En dicho caso tendrá validez la garantía extendida por su fabricante.
- **CUALQUIER PÉRDIDA INCIDENTAL, CONSECUENTE, DAÑO O GASTO QUE PUDIESE RESULTAR DE CUALQUIER DEFECTO, FALLA O MAL FUNCIONAMIENTO DEL PRODUCTO, NO QUEDA CUBIERTO EN LOS ALCANCES DE ESTA GARANTÍA.** Algunos estados no permiten la exclusión ni limitación de daños incidentales o consecuentes, en dicho caso la limitación antes mencionada no será de aplicación en su caso.
- **LAS GARANTÍAS IMPLÍCITAS, INCLUYENDO AQUELLAS RELACIONADAS CON LA COMERCIALIZACIÓN Y CALIFICACIÓN PARA UN PROPOSITO EN PARTICULAR, QUEDAN LIMITADAS A UN AÑO A PARTIR DE LA FECHA ORIGINAL DE SU COMPRA.** Algunos estados no permiten limitaciones en cuanto a la duración de una garantía implícita, en tal caso, las limitaciones antes mencionadas no serán de aplicación en su caso.

# PORTER-CABLE®

Porter-Cable Corporation

Jackson, TN

1-888-559-8550

# Manuel d'instructions

Modèle  
C3551

ENGLISH: PAGE 1  
ESPAÑOL: PÁGINA 27

## **JOB BOSS™** Compresseur d'air portatif, lubrifié à l'huile, à entraînement direct



Pour de plus amples renseignements concernant Porter-Cable, consultez notre site Web à l'adresse suivante :

<http://www.porter-cable.com>

**PORTER-CABLE®**

### IMPORTANT

*Veillez vous assurer que la personne qui utilise cet outil lit attentivement et comprend ces instructions avant de commencer à utiliser l'outil.*

La plaque des numéros de modèle et de série est située sur le châssis. Prenez note de ces numéros dans les espaces ci-après et conservez-les pour référence future.

No. de modèle \_\_\_\_\_

Type \_\_\_\_\_

No. de séries \_\_\_\_\_

## MESURES DE SÉCURITÉ - DÉFINITIONS

Ce guide contient des renseignements importants que vous deviez bien saisir. Cette information porte sur **VOTRE SÉCURITÉ** et sur **LA PRÉVENTION DE PROBLÈMES D'ÉQUIPEMENT**. Afin de vous aider à identifier cette information, nous avons utilisé les symboles ci-dessous. Veuillez lire attentivement ce guide en portant une attention particulière à ces symboles.

<b>▲ DANGER</b> Indique un danger imminent qui, s'il n'est pas évité, <u>causera de graves blessures ou la mort.</u>	<b>▲ ATTENTION</b> Indique la possibilité d'un danger qui, s'il n'est pas évité, <u>peut causer des blessures mineures ou moyennes.</u>
<b>▲ AVERTISSEMENT</b> Indique la possibilité d'un danger qui, s'il n'est pas évité, <u>pourrait causer de graves blessures ou la mort.</u>	<b>ATTENTION</b> Sans le symbole d'alerte. Indique la possibilité d'un danger qui, s'il n'est pas évité, <u>peut causer des dommages à la propriété.</u>

## CONSIGNES DE SÉCURITÉ IMPORTANTES

**▲ AVERTISSEMENT** La poussière produite par le ponçage électrique, le sciage, le meulage, le perçage et autres activités de construction peut contenir des produits chimiques qui sont reconnus, par l'état de la Californie, de causer le cancer, les anomalies congénitales ou autres maux de reproduction. Ces produits chimiques comprennent, entre autres :

- le plomb provenant des peintures à base de plomb;
- la silice cristalline provenant de briques, de béton ou d'autres produits de maçonnerie
- l'arsenic et le chrome provenant du bois de charpente traité chimiquement

Le risque d'exposition à ces produits dépend de la fréquence d'exécution de ce genre de travaux. Afin de réduire l'exposition à ces produits chimiques, travaillez dans un endroit bien aéré et utilisez de l'équipement de sécurité approuvé, portez toujours un masque facial ou respirateur homologué **MSHA/NIOSH** bien ajusté lorsque vous utilisez de tels outils.

Lorsque vous utilisez un outil pneumatique, il faut toujours suivre les mesures de sécurité de base afin de réduire le risque de blessures corporelles.

# CONSIGNES DE SÉCURITÉ IMPORTANTES



## Conserver ces directives



Un emploi ou un entretien non appropriés de ce produit peut causer des blessures graves et des dommages à la propriété. Lire attentivement tous les avertissements et les directives d'utilisation avant d'utiliser cet appareil.

## DANGER

AVERTISSEMENT : Risque d'explosion ou d'incendie



Risque	Prévention
Les étincelles qui proviennent des contacts électriques du moteur et du manostat sont considérées normales.	Toujours utiliser le compresseur dans un endroit bien aéré, loin de toute matière combustible et des vapeurs d'essence ou de solvants.
Si des étincelles électriques du compresseur entrent en contact avec des vapeurs inflammables, elles peuvent s'enflammer, provoquant un incendie ou une explosion.	Si des matières inflammables doivent être vaporisées, situer le compresseur à une distance d'au moins 20 pieds (6 m) de la zone de vaporisation. Il peut s'avérer nécessaire d'utiliser un boyau supplémentaire.  Entreposer les matières inflammables dans un endroit sécuritaire, loin du compresseur.
Toute obstruction des orifices d'aération du compresseur entraînera une surchauffe dangereuse et risque de causer un incendie.	Ne jamais placer des objets contre ou sur le compresseur. Utiliser le compresseur dans un endroit ouvert, à au moins 12 pouces (30 cm) de tout mur ou obstruction qui réduit le débit d'air frais vers les orifices d'aération. Utiliser le compresseur dans un endroit propre, sec et bien aéré. Ne pas utiliser l'appareil à l'intérieur ou dans un endroit clos.
Si cet appareil fonctionne sans supervision, cela risque de causer des blessures graves ou des dommages à la propriété. Pour réduire le risque d'incendie, ne jamais laisser le compresseur d'air fonctionner sans supervision.	Toujours rester à proximité de l'appareil lorsqu'il est en fonction.  Toujours couper l'alimentation électrique en plaçant le levier du manostat à la position d'arrêt « Off » et vidanger le réservoir chaque jour ou après chaque usage.

## DANGER

### AVERTISSEMENT : Risque d'éclatement



**Réservoir d'air** : Les conditions suivantes peuvent affaiblir les parois du réservoir et provoquer une explosion violente du réservoir qui risque de causer des dommages à la propriété ou des blessures graves.

Risque	Prévention
Le défaut de vidanger de façon appropriée l'eau condensée dans le réservoir risque de causer la rouille et l'amincissement des parois en acier du réservoir.	<b>Purger le réservoir quotidiennement ou après chaque utilisation.</b> Si le réservoir accuse une fuite, le remplacer immédiatement par un nouveau réservoir ou remplacer le compresseur au complet.
Des <b>modifications</b> ou tentatives de réparation faites <b>sur le réservoir.</b>  Des <b>modifications</b> non autorisées apportées à la soupape de décharge, à la <b>soupape de sûreté</b> ou à toute autre composante qui <b>contrôle la pression</b> du réservoir.	<b>Ne jamais perforez</b> avec une perceuse, souder ou faire une <b>modification quelconque au réservoir</b> ou à ses accessoires.
Des <b>vibrations excessives</b> peuvent affaiblir le réservoir et causer une rupture ou une explosion.	Le réservoir est conçu pour subir des pressions de service particulières. <b>Ne jamais effectuer des réglages ni substituer des pièces pour modifier les pressions de service établies à l'usine.</b>
<b>FIXATIONS ET ACCESSOIRES :</b> Le fait d' <b>excéder la pression nominale des outils pneumatiques</b> , pistolets vaporisateurs, accessoires pneumatiques, pneus et autres objets gonflables <b>risque de provoquer l'explosion</b> de ces derniers et la projection de pièces, ce qui risque de causer de graves blessures.	Pour le contrôle essentiel de la pression d'air, il faut <b>poser un régulateur de pression (s'il n'est pas déjà posé) et un manomètre à la sortie d'air</b> du compresseur. Suivre les recommandations du fabricant de l'équipement et ne jamais excéder la valeur nominale de pression spécifiée des accessoires. <b>Ne jamais utiliser le compresseur pour gonfler des objets à faible pression, tels que les jouets d'enfant, les ballons de football ou de basket-ball, etc.</b>
<b>PNEUS</b> Des pneus surgonflés pourraient provoquer des blessures graves et des dommages à la propriété.	Utiliser un manomètre pour vérifier la pression des pneus avant chaque utilisation et lors du gonflage; consulter le flanc de pneu pour obtenir la pression correcte. <b>REMARQUE</b> : des réservoirs d'air, des compresseurs et d'autres appareils similaires utilisés pour gonfler les pneus peuvent remplir de petits pneus à ces pressions très rapidement. Régler le régulateur de pression d'air à une pression moindre que celle indiquée sur le pneu. Ajouter l'air par petite quantité et utiliser fréquemment le manomètre pour empêcher un surgonflage.



## DANGER

AVERTISSEMENT : Risque de projection d'objets



Risque	Prévention
Le jet d'air comprimé peut causer des lésions aux tissus de la peau exposée et peut projeter de la saleté, des copeaux, des particules libres et de petits objets à haute vitesse, ce qui risque de causer des dommages à la propriété ou des blessures.	<p>Porter toujours des lunettes de protection homologuées ANSI Z87.1 avec des écrans latéraux lors de l'utilisation du compresseur.</p> <p>Ne jamais diriger la buse ou le vaporisateur vers soi, vers d'autres personnes ou vers des animaux.</p> <p>Toujours mettre le compresseur hors fonction et purger la pression du boyau d'air et du réservoir avant d'entamer l'entretien ou d'attacher des outils ou accessoires.</p>

## DANGER

AVERTISSEMENT : Risque de choc électrique



Risque	Prévention
Votre compresseur d'air est alimenté par électricité. Comme avec tous les appareils électriques, si l'appareil n'est pas utilisé de façon appropriée, il peut causer des chocs électriques.	<p>Ne jamais faire fonctionner le compresseur à l'extérieur lorsqu'il pleut ou dans des conditions humides.</p> <p>Ne jamais faire fonctionner le compresseur sans les couvercles de protection ou lorsque ceux-ci sont endommagés.</p>
Toute réparation effectuée par une personne non qualifiée peut entraîner des blessures graves ou la mort par électrocution.	Tout câblage électrique ou toute réparation requis sur cet appareil devrait être effectué par le personnel d'un centre de service après-vente autorisé, conformément aux codes électriques nationaux et locaux.
Mise à la terre : Le défaut d'établir une mise à la terre appropriée pour cet appareil peut entraîner des blessures graves ou la mort par électrocution. Voir les directives de mise à la terre.	S'assurer que le circuit électrique alimentant le compresseur fournit une mise à la terre électrique appropriée, une tension appropriée et une protection adéquate par fusibles.

## DANGER

AVERTISSEMENT : Risque par inhalation



Risque	Prévention
L'air comprimé de votre compresseur d'air n'est pas sécuritaire pour l'inhalation. Le jet d'air peut contenir du monoxyde de carbone, des vapeurs toxiques ou des particules solides du réservoir. L'inhalation de ces contaminants peut causer des blessures graves ou la mort.	L'air obtenu directement du compresseur ne devrait jamais être utilisé comme source d'air pour les être humains. Si l'air produit par ce compresseur sera utilisé pour la respiration, il faut installer des filtres appropriés ainsi que du matériel de sécurité. Les filtres en ligne et le matériel de sécurité utilisés avec le compresseur doivent être dans la mesure de traiter l'air de façon à ce qu'il réponde à toutes les normes nationales et locales applicables avant d'être utilisé pour les êtres humains.
Les matières vaporisées telles que la peinture, les solvants de peinture, les décapsants, les insecticides et les herbicides contiennent des vapeurs nocives et toxiques.	Travailler dans un endroit où il y a une bonne ventilation transversale. Bien lire et respecter les directives de sécurité indiquées sur l'étiquette ou la fiche signalétique de la matière qui est vaporisée. Porter un respirateur homologué par le NIOSH/MSHA et conçu pour l'application en question.

## DANGER

AVERTISSEMENT : Risque de brûlures



Risque	Prévention
Le fait de toucher aux surfaces de métal exposées telles que la tête du compresseur ou les tubes de sortie peut causer de graves brûlures à la peau.	Ne jamais toucher aux pièces de métal exposées du compresseur durant ou immédiatement après le fonctionnement. Le compresseur demeure chaud pendant plusieurs minutes après le fonctionnement.  Ne pas tenter d'atteindre les composantes derrière les gardes de protection et ne pas effectuer de l'entretien avant d'avoir laissé refroidir l'appareil.

## DANGER

AVERTISSEMENT : Risque relié aux pièces mobiles



Risque	Prévention
Les pièces mobiles telles que la poulie, le volant-moteur et la courroie peuvent entraîner des blessures graves si elles entrent en contact avec une partie du corps ou des vêtements.	Ne jamais faire fonctionner le compresseur sans les gardes ou les couvercles ou lorsque ceux-ci sont endommagés.
En tentant de faire fonctionner le compresseur avec des pièces manquantes ou endommagées, ou de réparer le compresseur sans les gardes de protection, on s'expose aux pièces mobiles, ce qui peut entraîner des blessures graves.	Toute réparation requise sur cet appareil devrait être effectuée par le personnel d'un centre de service après-vente autorisé.

## DANGER

AVERTISSEMENT : Risque de chute



Risque	Prévention
Un compresseur portatif peut tomber d'une table, d'un établi ou d'un toit. L'impact peut causer des dommages au compresseur et des blessures corporelles ou la mort de l'utilisateur.	Toujours s'assurer de la stabilité du compresseur avant de le faire fonctionner afin de prévenir tout mouvement accidentel de l'appareil. Ne jamais utiliser un compresseur sur un toit ou dans une position élevée ; utiliser plutôt un boyau d'air supplémentaire pour atteindre les endroits élevés.

## DANGER

AVERTISSEMENT : Risque de dommages à la propriété pendant le transport du compresseur

*(incendie, inhalation, dommages aux surfaces du véhicule)*



Risque	Prévention
Des fuites ou des déversements d'huile peuvent se produire et entraîner des risques d'incendie, ou des problèmes aux voies respiratoires, des blessures graves ou la mort. Des fuites d'huile endommagent les tapis, la peinture et toute autre surface des véhicules ou des remorques.	Toujours placer le compresseur sur un tapis de protection pour éviter l'endommagement du véhicule par des fuites. Retirer le compresseur du véhicule immédiatement à l'arrivée.

## DANGER

AVERTISSEMENT : Risque d'une utilisation dangereuse



Risque	Prévention
Une utilisation dangereuse de votre compresseur d'air pourrait causer des blessures graves ou la mort de l'utilisateur ou d'autres personnes.	Lisez attentivement tous les instructions et les avertissements figurant dans ce guide. Familiarisez-vous avec le fonctionnement et les commandes du compresseur d'air. Gardez les personnes non-autorisées, les animaux de compagnie et les obstacles éloignés de l'aire de travail. Gardez les enfants éloignés du compresseur d'air en tout temps. N'utilisez pas le produit lorsque vous êtes fatigué ou sous l'influence d'alcool ou de drogues. Restez alerte à tout moment. Ne tentez jamais d'annuler les caractéristiques de sécurité de ce produit. Assurez-vous qu'un extincteur d'incendie est disponible dans l'aire de travail. N'utilisez pas l'appareil avec des pièces brisées, manquantes ou non autorisées.

CONSERVER CES DIRECTIVES

## LEXIQUE

Veillez vous familiariser avec ces termes avant d'utiliser l'appareil.

**CFM** : pieds cubes par minute ( $\text{pi}^3/\text{min}$ ).

**SCFM** : pieds cubes par minute ( $\text{pi}^3/\text{min}$ ) standard. Une unité de mesure de débit d'air.

**PSIG** : jauge indiquant le nombre de livres par pouce carré ( $\text{lb}/\text{po}^2$ ). Une unité de mesure de pression.

**ASME** : American Society of Mechanical Engineers. Fabriqué, mis à l'essai, inspecté et enregistré pour répondre aux normes de la ASME.

**Codes de certification** : Les produits portant une ou plusieurs des mentions suivantes (UL, CUL, ETL, CETL) ont été évalués par des laboratoires indépendants de sécurité certifiés par l'OSHA et répondent aux normes de sécurité applicables des Underwriters Laboratories.

**Pression d'amorçage** : Lorsque le moteur est arrêté, la pression du réservoir d'air s'abaisse tandis qu'on continue d'utiliser l'accessoire. Quand la pression du réservoir tombe à un niveau bas réglé à l'usine, le moteur se remet automatiquement en marche. La basse pression à laquelle le moteur se remet automatiquement en marche s'appelle la « pression d'amorçage ».

**Pression de rupture** : Lorsqu'on met un compresseur d'air en marche et qu'il commence à fonctionner, la pression d'air dans le réservoir commence à s'accumuler. La pression monte et atteint un niveau élevé réglé à l'usine, avant que le moteur ne s'arrête automatiquement, protégeant ainsi le réservoir d'air d'un taux de pression qui excéderait sa capacité. La haute pression à laquelle le moteur s'arrête s'appelle la « pression de rupture ».

**Circuit de dérivation** : Le circuit acheminant l'électricité du tableau électrique vers la prise murale.

## CYCLE DE SERVICE

La pompe de ce compresseur d'air est capable de fonctionner de façon continue.

Toutefois, pour prolonger la durée de vie du compresseur d'air, nous vous

recommandons de conserver un cycle de service moyen de 50 % à 75 % : c'est-à-dire que la pompe du compresseur d'air ne devrait pas fonctionner plus que 30 à 45 minutes dans une heure particulière.

## SPECIFICATIONS

<b>Modèle n°</b>	<b>C3551</b>
Puissance de service	-----
Alésage	2,363 po (6,0 cm)
Course	0,890 po (2,3 cm)
* Tension monophasée	120
* * Exigence minimale du circuit de dérivation	15 a
* Genre de fusibles	À retardement
Capacité du réservoir d'air (gallons)	4,5 (17,0 L)
Pression l'amorçage approx.	120
Pression de rupture approx.	150
$\text{pi}^3/\text{min}$ standard (SCFM) à 40 $\text{lb}/\text{po}^2$	5,7
$\text{pi}^3/\text{min}$ standard (SCFM) à 90 $\text{lb}/\text{po}^2$	4,4

## ACCESSOIRES

Les accessoires sont disponibles au magasin où l'appareil a été acheté ou chez une quincaillerie locale.

## ASSEMBLAGE

### Ajout d'huile à la pompe

**ATTENTION** Les compresseurs d'air sont livrés sans huile. Une petite quantité d'huile pourrait être présente dans la pompe sur réception du compresseur d'air. Cette huile est présente à cause d'essais en usine et ne signifie pas que le compresseur contient de l'huile. Ne tentez pas de mettre en marche ce compresseur d'air sans avoir tout d'abord ajouté de l'huile au carter. Des dommages sérieux peuvent être encourus même dans le cadre d'une opération limitée, à moins que l'appareil ait été rempli d'huile et rodé adéquatement. Assurez-vous de suivre de près les procédures de démarrage initial.

**ATTENTION** Les huiles à moteur à viscosité multiples, comme l'huile 10W30, ne devraient pas être utilisées dans un compresseur d'air. De telles huiles laissent un dépôt de carbone sur les composantes importantes, réduisant ainsi la durée de vie et le rendement du compresseur. N'utilisez que de l'huile conçue pour compresseurs d'air.

**REMARQUE** : Utilisez une huile conçue spécifiquement pour les compresseurs d'air, telle que l'huile pour compresseurs d'air PAS1 de Porter-Cable. L'huile peut être achetée au magasin où vous avez acheté le compresseur d'air.

1. Placez l'appareil sur une surface plane.

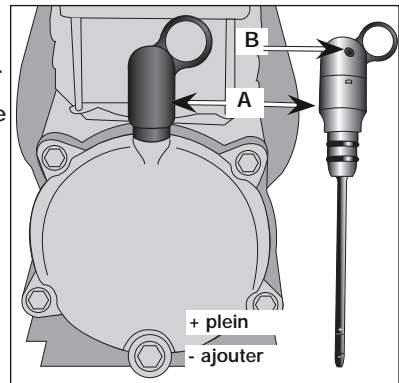
**AVERTISSEMENT** Purgez le réservoir pour éliminer la pression d'air avant de retirer la jauge d'huile.

**AVERTISSEMENT** Assurez-vous que le trou d'aération (B) de la jauge d'huile est libre de tout débris. Si le trou d'aération est obstrué, la pression peut s'accumuler dans le carter, ce qui risque d'endommager le compresseur d'air et de causer des blessures corporelles.

2. Retirez la jauge d'huile (A) et versez lentement de l'huile dans le carter. La capacité du carter est de 6 onces liquide (177,4 ml). Le niveau d'huile devrait être à la marque + (plein) sur la jauge d'huile.

**REMARQUE** : Si l'huile est versée trop rapidement, elle débordera et le carter semblera plein alors qu'il ne l'est pas.

3. Remettez en place la jauge d'huile.



# INSTALLATION

## MONTAGE DE L'APPAREIL

### Emplacement du compresseur d'air

- Placez le compresseur d'air dans un endroit propre, sec et bien aéré.
- Le compresseur d'air devrait être placé à au moins 30 cm (12 po) de distance d'un mur ou d'autres obstructions qui pourraient nuire au débit d'air.
- Le filtre à air et le volant ne doivent aucunement être obstrués. Les obstructions pourraient réduire le débit d'air au compresseur.
- Pour un refroidissement adéquat, le compresseur requiert un débit d'air frais. **NE PERMETTEZ PAS AU COMPRESSEUR DE DEVENIR MOUILLÉ.**

### DIRECTIVES DE MISE À LA TERRE

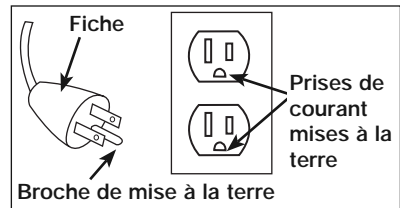
**⚠ AVERTISSEMENT** RISQUE DE CHOCS ÉLECTRIQUES ! En cas de court-circuit, la mise à la terre réduit le risque de choc en fournissant un fil de fuite pour le courant électrique. Ce compresseur d'air doit être adéquatement mis à la terre.

Ce compresseur d'air portable est doté d'un cordon muni d'un fil de mise à la terre et d'une fiche appropriée de mise à la terre (voir l'illustration ci-dessous). La fiche doit être insérée dans une prise de courant installée et mise à la terre conformément à tous les codes et ordonnances électriques locaux.

1. Le cordon fourni avec cet appareil comprend une fiche avec broche de mise à la terre. La fiche DOIT être insérée dans une prise de courant mise à la terre.

**IMPORTANT:** La prise de courant utilisée doit être installée et mise à la terre conformément à tous les codes et ordonnances électriques locaux.

2. Assurez-vous que la prise de courant utilisée a la même configuration que la fiche de mise à la terre. **NE PAS UTILISER UN ADAPTATEUR.** Voir l'illustration.
3. Inspectez la fiche et le cordon avant chaque utilisation. Ne pas les utiliser s'il y a des signes de dommages.
4. Si vous ne comprenez pas tout à fait ces directives de mise à la terre, ou s'il y a des doutes que le compresseur soit mis à la terre de manière appropriée, faire vérifier l'installation par un électricien qualifié.



**⚠ AVERTISSEMENT** UNE MISE À LA TERRE INAPPROPRIÉE PEUT ENTRAÎNER DES CHOCS ÉLECTRIQUES.

Ne modifiez pas la fiche fournie. Si elle ne convient pas à la prise de courant disponible, une prise appropriée doit être installée par un électricien qualifié.

Toute réparation du cordon ou de la fiche DOIT être effectuée par un électricien qualifié.

## Rallonges

L'utilisation d'une rallonge électrique est déconseillée. L'utilisation d'une rallonge produira une chute de tension qui entraînera une perte de puissance au moteur ainsi qu'une surchauffe.

Au lieu d'utiliser une rallonge électrique, augmentez plutôt la longueur du boyau d'air en connectant un autre boyau à l'extrémité. Connectez des boyaux supplémentaires au besoin.

Si une rallonge doit être utilisée, s'assurer :

- d'utiliser une rallonge à trois fils, munie d'une fiche à trois lames avec mise à la terre et une prise de courant à trois fentes qui accepte la fiche de la rallonge;
- qu'elle est en bon état;
- qu'elle n'exécède pas 50 pi (15,2 m);
- que les fils sont d'un calibre minimum de 14 AWG. (La grosseur du fil augmente comme le numéro de calibre diminue. Les fils de calibre 10 AWG et 8 AWG peuvent également être utilisés. NE PAS UTILISER UN FIL DE CALIBRE 14 OU 16 AWG.)

## Protection contre la surtension et protection du circuit

Consulter le Guide des pièces pour connaître les exigences minimums concernant la tension et le circuit de dérivation.

Certains modèles de compresseur d'air peuvent fonctionner sur un circuit de 15 ampères si les conditions suivantes sont satisfaites :

1. la tension d'alimentation au circuit de dérivation est de 15 A;
2. le circuit n'est pas utilisé pour alimenter d'autres dispositifs électriques (lumières, appareils électriques, etc.);
3. les rallonges sont conformes aux spécifications;
4. le circuit est muni d'un coupe-circuit de 15 A ou d'un fusible retardé de 15 A.  
**REMARQUE** : Si un compresseur est relié à un circuit protégé par des fusibles, n'utilisez que des fusibles à retardement. Les fusibles à retardement portent un « D » au Canada et un « T » aux États-Unis.

Si une des conditions ci-dessus ne peut être satisfaite, ou si l'utilisation du compresseur entraîne continuellement une panne de courant, il sera peut être nécessaire de brancher le compresseur sur un circuit de 20 ampères. Il n'est pas nécessaire de remplacer le cordon dans un tel cas.

# UTILISATION

## Familiarisez-vous avec votre compresseur d'air

LISEZ CE GUIDE DE L'UTILISATEUR ET TOUTES LES MESURES DE SÉCURITÉ AVANT D'UTILISER CET APPAREIL. Comparez les illustrations à votre appareil pour vous familiariser avec l'emplacement des commandes et boutons de réglage. Conservez ce guide pour références ultérieures.

### Description du fonctionnement

Familiarisez-vous avec ces commandes avant d'utiliser l'appareil.

#### Interrupteur marche/automatique/arrêt

**On/Auto/Off (A) :** Placez cet interrupteur à la position « ON/AUTO » pour alimenter le manostat et à la position « OFF » pour couper le courant après chaque utilisation.

**Manostat (B) :** Le manostat démarre automatiquement le moteur lorsque la pression dans le réservoir d'air tombe à une valeur inférieure à la « pression d'amorçage » réglée à l'usine. Il arrête le moteur lorsque la pression dans le réservoir d'air atteint la « pression de rupture » réglée à l'usine.

**Soupape de sûreté (C) :** Si le manostat n'arrête pas le compresseur d'air lorsque la « pression de rupture » est atteinte, la soupape de sûreté protège contre toute surpression en « sautant » à la valeur de pression établie à l'usine (une pression légèrement supérieure à la « pression de rupture » établie pour le manostat).

**Manomètre de sortie (D) :** Le manomètre de sortie indique la pression d'air disponible à la sortie du régulateur. Cette pression est contrôlée par le régulateur et est toujours inférieure à ou égale à la pression du réservoir.

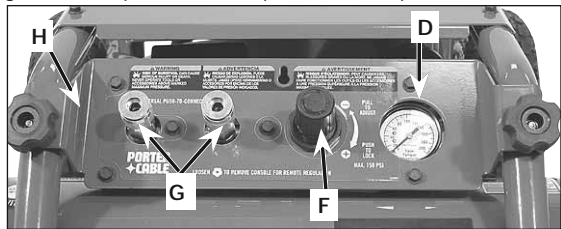
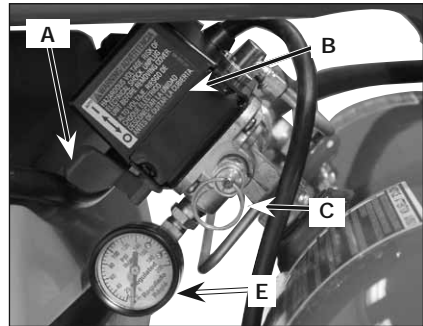
#### Manomètre du réservoir (E) :

Le manomètre du réservoir indique la pression d'air en réserve dans le réservoir.

**Régulateur (F) :** Le régulateur contrôle la pression d'air indiquée sur le manomètre de sortie. Tirez le bouton et tournez-le dans le sens des aiguilles d'une montre pour augmenter la pression et dans le sens contraire pour réduire la pression. Une fois que la pression désirée est atteinte, poussez le bouton pour le verrouiller.

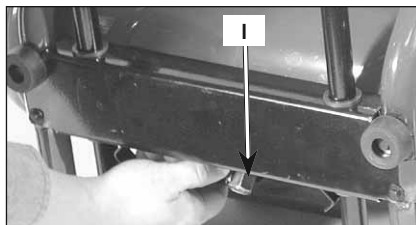
**Corps universel à connexion rapide (G) :** Le corps universel à connexion rapide accepte les trois styles les plus en demande de fiches à connexion rapide, c'est-à-dire, industriel, automobile (Tru-flate) et ARO. Le raccordement est simple et rapide et s'accomplit par une simple poussée d'une seule main. Les deux corps à connexion rapide permettent à l'utilisateur de brancher deux outils à la fois.

**Console à distance (H) :** Permet le réglage et la commande de l'air à un endroit près du lieu de travail ; comprend deux raccords à connexion rapide, à grand débit, compatibles avec les raccords de style industriel/automobile, un manomètre de sortie, et un régulateur à grand débit.





**Robinet de vidange (I) :** Le robinet de vidange est situé à la base du réservoir d'air et est utilisé pour vidanger la condensation après chaque utilisation.

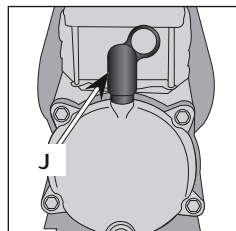


**Système de refroidissement (non illustré) :** Le compresseur d'air est doté d'un système de refroidissement d'avant garde. Le cœur de ce système est un ventilateur à technologie avancée. Il est tout à fait normal que ce ventilateur souffle de l'air au-dessus de la tête de la pompe, le manchon du cylindre et le carter. Vous savez que le système de refroidissement fonctionne bien lorsque de l'air est expulsé.

**Pompe du compresseur d'air (non illustrée) :**

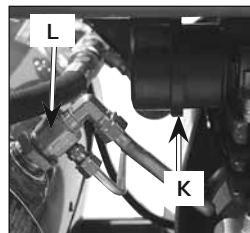
La pompe comprime l'air pour le forcer dans le réservoir d'air. L'air n'est pas disponible pour travailler avant que le compresseur n'ait élevé la pression du réservoir d'air au niveau requis à la sortie d'air.

**Jauge d'huile (J) :** La jauge indique le niveau d'huile dans la pompe. Le symbole + indique que le carter est plein et le symbole - indique qu'il faut ajouter de l'huile. Pour les instructions, consultez les paragraphes « Huile » dans la section intitulée « Entretien ».



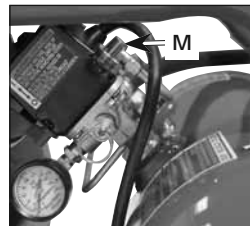
**Limiteur de surcharge du moteur (non illustré) :** Le moteur est doté d'un limiteur de surcharge à rétablissement automatique. Si le moteur surchauffe pour quelque raison que ce soit, le limiteur de surcharge coupera le moteur. Il faut alors laisser refroidir le moteur avant la remise en marche. Le compresseur d'air se remettra automatiquement en marche une fois que le moteur est suffisamment refroidi.

**Filtre d'admission d'air (K) :** Ce filtre a été conçu pour nettoyer l'air admis dans la pompe. Ce filtre doit être propre en tout temps et les ouvertures d'aération doivent être sans obstruction. Voir la section sur l'entretien.



**Soupape de retenue (L) :** Lorsque le compresseur fonctionne, la soupape de retenue est « ouverte », permettant à l'air comprimé d'entrer dans le réservoir d'air. Quand le compresseur d'air atteint la « pression de rupture », la soupape de retenue « se ferme », permettant à l'air pressurisé de demeurer à l'intérieur du réservoir d'air.

**Soupape de décharge de pression (M) :** La soupape de décharge de pression, située sur le côté du manostat, est conçue pour libérer automatiquement l'air comprimé de la tête du compresseur et du tube de sortie lorsque le compresseur d'air atteint la « pression de rupture » ou lorsqu'il est arrêté. La soupape de décharge de pression permet au moteur de redémarrer librement. Lorsque le moteur s'arrête, vous pouvez toujours entendre l'air sortir de cette soupape pendant quelques secondes. Vous ne devriez pas entendre une fuite d'air lorsque le moteur est en marche ni une fois que l'appareil a atteint la « pression de rupture ».



## Utilisation de l'appareil

### Arrêt de l'appareil :

1. Réglez le levier marche/automatique/arrêt « On/Auto/Off » à la position d'arrêt « OFF ».

### Avant le démarrage

#### Procédures de rodage

**⚠ AVERTISSEMENT** Le compresseur d'air peut subir d'importants dommages si les procédures de rodage ne sont pas suivies à la lettre.

Cette procédure doit être exécutée avant d'utiliser le compresseur d'air pour la première fois et après le remplacement de la soupape de retenue ou de la pompe complète du compresseur.

1. Assurez-vous que le levier marche/automatique/arrêt « On/Auto/Off » est en position d'arrêt « OFF ».
2. Vérifiez le niveau d'huile dans la pompe. Pour les instructions, consultez les paragraphes « Huile » dans la section intitulée « Entretien ».

**REMARQUE:** Tirez le raccord vers l'arrière jusqu'à ce qu'il s'enclenche afin d'empêcher la fuite d'air du raccord à connexion rapide.

3. Branchez le cordon d'alimentation dans la prise de courant du circuit de dérivation approprié. (Consultez le paragraphe sur la protection contre la surtension et la protection du circuit de la section sur l'installation de ce guide.)
4. Ouvrez complètement le robinet de vidange (en tournant dans le sens contraire des aiguilles d'une montre) afin de permettre à l'air de sortir et pour empêcher une accumulation de pression dans le réservoir d'air lors de la période de rodage.
5. Placez le levier « On/Auto/Off » à la position « ON/AUTO ». Le compresseur se mettra en marche.
6. Faire fonctionner le compresseur pendant 20 minutes. Assurez-vous que le robinet de vidange est ouvert et que la pression d'air accumulée dans le réservoir est minimale.
7. Après 20 minutes, fermez le robinet de vidange (en tournant dans le sens des aiguilles d'une montre). Le réservoir d'air se remplira jusqu'à ce que la « pression de rupture » soit atteinte et le moteur s'arrêtera ensuite.

Le compresseur d'air est maintenant prêt pour l'utilisation.

**⚠ AVERTISSEMENT** Risque d'éclatement. Utiliser un manomètre pour vérifier la pression des pneus avant chaque utilisation et lors du gonflage; consulter le flanc de pneu pour obtenir la pression correcte.

**REMARQUE :** des réservoirs d'air, des compresseurs et d'autres appareils similaires utilisés pour gonfler les pneus peuvent remplir de petits pneus à ces pressions très rapidement. Régler le régulateur de pression d'air à une pression moindre que celle indiquée sur le pneu. Ajouter de l'air par petite quantité et utiliser fréquemment le manomètre pour empêcher un surgonflage

### Avant chaque mise en marche :

1. Placez le levier « On/Auto/Off » à la position « OFF ».
2. Tirez le bouton du régulateur et tournez-le dans le sens contraire des aiguilles d'une montre jusqu'à ce qu'il s'arrête. Poussez le bouton pour le verrouiller.
3. Raccordez le boyau et les accessoires. **REMARQUE :** Le boyau ou l'accessoire exigera une fiche à connexion rapide. Pour utiliser la console à distance, voir le paragraphe intitulé « Utilisation de la console à distance » de cette section.

**⚠ AVERTISSEMENT** Une pression d'air trop élevée conduit à un risque dangereux d'éclatement. Vérifiez la pression nominale maximum du fabricant pour tous les outils pneumatiques et accessoires utilisés. La pression de sortie du régulateur ne doit jamais excéder la pression nominale maximum.

## Mise en marche :

1. Placez le levier « On/Auto/Off » à la position « ON/AUTO » et attendez jusqu'à ce que la pression augmente. Le moteur s'arrêtera lorsque la pression dans le réservoir atteint la « pression de rupture ».
2. Tirez le bouton du régulateur et tournez-le dans le sens des aiguilles d'une montre pour augmenter la pression. Une fois que la pression désirée est atteinte, poussez le bouton pour le verrouiller. Le compresseur d'air est maintenant prêt pour l'utilisation.

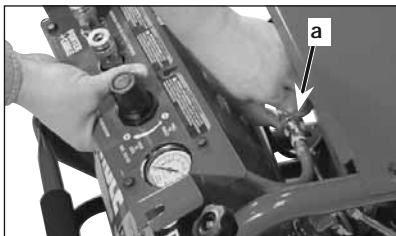
**REMARQUE :** Utilisez toujours le compresseur d'air dans une région bien aérée, sans vapeurs d'essence ni autres vapeurs combustibles. Si le compresseur est utilisé avec un vaporisateur, NE PAS placer le compresseur près de la région de vaporisation.

## Utilisation de la console à distance :

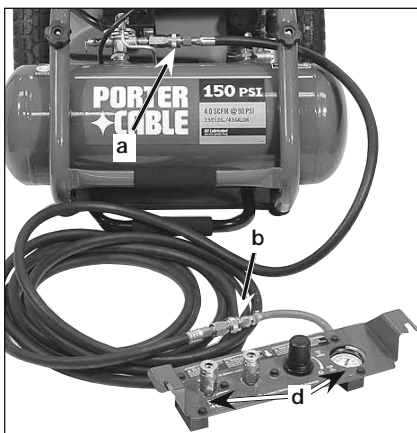
Lorsque vous en avez besoin, la console à distance permet le réglage et la commande de l'air à un endroit près du lieu de travail.

**⚠ ATTENTION** Réduisez la pression d'air à 60 psi au maximum, avant de retirer ou de brancher le tableau de commande portable et en connectant le boyau au coupleur à connexion rapide du réservoir.

1. Tournez les boutons dans le sens contraire des aiguilles d'une montre pour desserrer les boutons fixant le tableau de commande.
2. Glissez la console vers le haut et éloignez-la du cadre, débranchez le boyau d'air du raccord à connexion rapide (a) et retirez la console.



3. Connectez le boyau d'air (vendu séparément) à la fiche à connexion rapide (b) et au raccord à connexion rapide (a). La console peut alors être transportée plus près du lieu de travail pour être placée sur les supports de console (d) ou pour être montée temporairement en utilisant le trou de montage (c).

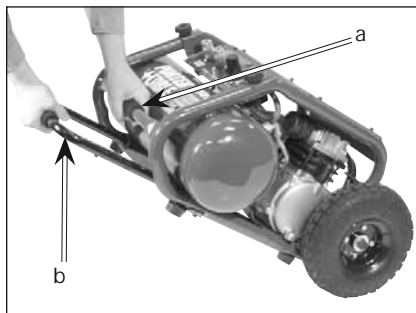


**⚠ AVERTISSEMENT** Peut causer des blessures graves ou la mort. Le réservoir peut contenir une pression d'air de 150 PSI. Ne connectez jamais les accessoires à l'air non régulé. N'utilisez jamais les outils ou les accessoires à une pression supérieure à la pression maximale indiquée.

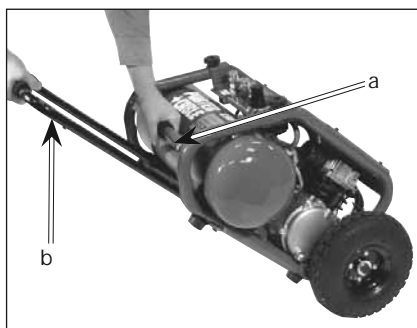
## Transport de l'appareil

L'appareil est doté d'une poignée de transport (a) et d'une poignée de tirage (b).

1. Saisissez la poignée de transport (a) pour soulever l'appareil.



2. Glissez la poignée (b) vers l'extérieur jusqu'à ce qu'il se verrouille en place.



3. Tirez l'appareil tel qu'illustré ; ne pas pousser l'appareil. REMARQUE : Lors du transport, ne soulevez pas l'appareil jusqu'au point où il basculerait vers l'arrière.



**IMPORTANT** : Utilisez seulement la poignée de tirage pour tirer l'appareil ; utilisez la poignée de transport pour soulever et transporter l'appareil.

# ENTRETIEN

## Responsabilités du consommateur

	Avant chaque utilisation	À chaque jour ou après chaque utilisation	À chaque tranche de 8 heures	À chaque tranche de 40 heures	À chaque tranche de 100 heures
Vérification de la soupape de sûreté	●				
Vidange du réservoir		●			
Fuites d'huile			●		
Vérification de l'huile			●		
Changement de l'huile			●		●
Filtre à air				● <sup>1</sup>	
1 - plus fréquemment dans des conditions poussiéreuses ou humides					

**⚠ ATTENTION** L'appareil commence automatiquement à fonctionner lorsqu'il est mis en marche. Lors de l'entretien, vous pourriez vous exposer à des sources de tension, d'air comprimé ou à des pièces en mouvement. Des blessures pourraient ainsi survenir. Avant de faire tout entretien ou toute réparation, débranchez la source d'alimentation du compresseur et laissez s'échapper toute la pression d'air.

Pour assurer au compresseur d'air une opération efficace et une durée de vie plus longue, un horaire d'entretien périodique devrait être élaboré et suivi. L'horaire d'entretien périodique suivant s'applique à un appareil dans des conditions normales d'utilisation et étant utilisé quotidiennement. Au besoin, cet horaire peut être modifié pour convenir aux conditions d'utilisation de votre compresseur. Ces modifications dépendront du nombre d'heures d'opération et de l'environnement de travail. Les compresseurs placés dans des environnements très sales et/ou très hostiles exigeront que toutes les vérifications d'entretien soient effectuées plus fréquemment.

**REMARQUE** : Pour voir l'emplacement des commandes, voir la section « Utilisation ».

## Vérification de la soupape de sûreté

**⚠ AVERTISSEMENT** Si la soupape de sûreté ne fonctionne pas correctement, une surpression pourrait avoir lieu et causer une rupture ou une explosion du réservoir à air.

1. Avant de mettre en marche le compresseur, tirez sur l'anneau de la soupape de sûreté pour vous assurer que la soupape fonctionne librement. Si la soupape est coincée ou qu'elle ne bouge pas librement, elle doit être remplacée par une autre soupape du même type.

## Vidange du réservoir

1. Réglez le levier marche/automatique/arrêt « On/Auto/Off » à la position d'arrêt « OFF ».
2. Tirez le bouton du régulateur vers l'extérieur et tournez-le dans le sens contraire des aiguilles d'une montre pour régler la pression de sortie à zéro.
3. Enlevez l'outil pneumatique ou l'accessoire.
4. Tirez l'anneau de la soupape de sûreté pour permettre à l'air de purger du réservoir jusqu'à ce que la pression dans le réservoir se situe à environ 20 lb/po<sup>2</sup>. Relâchez l'anneau de la soupape de sûreté.

5. Vidangez l'eau du réservoir en ouvrant le robinet de vidange. (Tournez dans le sens contraire des aiguilles d'une montre) situé en bas du réservoir.

**⚠ AVERTISSEMENT** L'eau dans le réservoir d'air peut condenser. Si l'eau n'est pas vidangée, cela risque de corroder et d'affaiblir le réservoir d'air, produisant ainsi un risque de rupture du réservoir d'air.

6. Une fois la vidange de l'eau terminée, fermez le robinet de vidange (tournez dans le sens des aiguilles d'une montre). Le compresseur d'air peut maintenant être rangé.

**REMARQUE** : Si le robinet de vidange est engorgé, libérez tout l'air pressurisé. Le robinet de vidange peut alors être enlevé, nettoyé et réinstallé.

## Huile

**⚠ AVERTISSEMENT** Purgez le réservoir pour éliminer la pression d'air avant de retirer la jauge d'huile ou le bouchon de vidange d'huile.

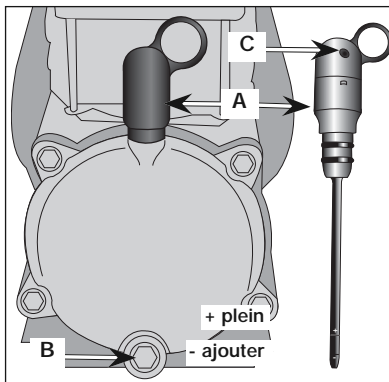
**⚠ AVERTISSEMENT** La tête du compresseur et le manchon du cylindre sont extrêmement chauds. Ne pas les toucher.

## Vérification

1. Réglez le levier « On/Auto/Off » à la position « OFF ».
2. Retirez la jauge d'huile (A) et vérifiez l'huile sur la jauge pour déterminer s'il y a des indications visibles de contamination (eau, saletés, etc.).

**⚠ AVERTISSEMENT** Assurez-vous que le trou d'aération (C) de la jauge d'huile est libre de tout débris. Si le trou d'aération est obstrué, la pression peut s'accumuler dans le carter, ce qui risque d'endommager le compresseur d'air et de causer des blessures corporelles.

3. Essuyez l'huile de la jauge d'huile.
4. Remettez la jauge dans le trou et attendez jusqu'à ce que l'huile s'attache à la jauge.
5. Retirez la jauge d'huile et vérifiez le niveau d'huile sur la jauge. Le symbole + indique que le carter est plein et le symbole - indique qu'il faut ajouter de l'huile. Si le niveau d'huile est au-dessous de la marque -, ajoutez lentement de l'huile jusqu'à ce que le niveau atteigne la marque + (plein) de la jauge d'huile.



**REMARQUE** : Utilisez une huile conçue spécifiquement pour les compresseurs d'air, telle que l'huile pour compresseurs d'air PAS1 de Porter-Cable. L'huile peut être achetée au magasin où vous avez acheté le compresseur d'air.

6. Remettez en place la jauge d'huile (A).

## Vidange

1. Réglez le levier « On/Auto/Off » à la position « OFF ».
2. Retirez la jauge d'huile (A).
3. Retirez le bouchon de vidange d'huile (B) et vidangez l'huile dans un récipient approprié.
4. Remettez en place le bouchon de vidange d'huile (B).
5. Versez lentement de l'huile dans le carter. La capacité du carter est de 6 onces liquide (177,4 ml). Le niveau d'huile devrait être à la marque + (plein) sur la jauge d'huile.

**⚠ ATTENTION** Si le carter est trop rempli d'huile, le compresseur pourrait subir une panne prématurée. Ne pas trop remplir.

6. Remettez en place la jauge d'huile (A).

## Filtre à air - Inspection et remplacement

**⚠ AVERTISSEMENT** Surfaces chaudes. Risque de brûlures. Les têtes du compresseur sont exposées lorsque le filtre du compresseur est retiré. Avant de commencer, laissez refroidir le compresseur.

Un filtre à air encrassé ne permettra pas au compresseur de fonctionner à sa pleine capacité. Assurez-vous que le filtre à air est propre en tout temps.

1. Retirez le couvercle du filtre à air.
2. Retirez le filtre à air du couvercle.

**IMPORTANT:** N'utilisez pas le compresseur une fois le filtre retiré.

3. Placez le nouveau filtre à air dans le couvercle. Pour obtenir le numéro de pièce requis, consultez le manuel des pièces de réparation.
4. Remettez en place le couvercle du filtre et verrouillez-le.

## Moteur

Le moteur est équipé d'un dispositif de protection contre les surcharges thermiques avec rétablissement automatique. Si le moteur surchauffe pour quelque raison que ce soit, le dispositif de protection contre les surcharges arrêtera le moteur. Laissez refroidir le moteur. Le compresseur redémarrera automatiquement une fois que le moteur est bien refroidi.

Si le dispositif de protection contre les surcharges arrête souvent le moteur, vérifiez s'il y a un problème de tension. Une tension trop basse peut également être la cause des problèmes suivants :

1. Le moteur n'atteint pas la vitesse ni la puissance maximales.
2. Les fusibles sautent lors de la mise en marche du moteur ; les lumières s'affaiblissent et demeurent faibles une fois que le moteur est démarré et lorsqu'il tourne.

## ENTRETIEN ET RÉGLAGES

**⚠ AVERTISSEMENT** Le compresseur d'air fonctionne automatiquement lorsqu'il est sous tension. En effectuant l'entretien, vous pourriez être exposé aux sources de tension, à de l'air comprimé ou aux pièces en mouvement et subir ainsi des blessures corporelles. Avant de procéder à tout entretien ou réparation, débranchez le compresseur et purgez tout l'air comprimé.

TOUS LES SERVICES D'ENTRETIEN NE FIGURANT PAS ICI DOIVENT ÊTRE EXÉCUTÉS PAR UN TECHNICIEN QUALIFIÉ.

**⚠ AVERTISSEMENT** Avant de procéder à l'entretien :

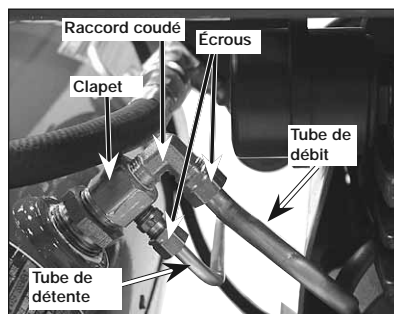
- Débranchez le compresseur d'air de la source d'alimentation électrique.
- Purgez tout l'air comprimé du réservoir.
- Attendez jusqu'à ce que le compresseur d'air soit refroidi.

### Remplacement ou nettoyage de la soupape

1. Laissez s'échapper toute l'air comprimé du réservoir. Voir « Vidange du réservoir » dans la section « Entretien ».
2. Débranchez le compresseur.

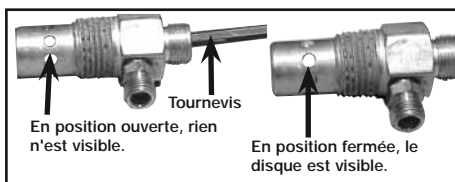
**REMARQUE** : Le tableau supérieur peut être retiré au besoin pour avoir accès aux pièces.

3. Avec une clé réglable, relâchez l'écrou du tube de débit, au réservoir d'air et à la pompe. Soigneusement, éloignez le tube de débit du clapet.
4. Avec une clé réglable, relâchez l'écrou du tube de détente, au réservoir d'air et au pressostat. Soigneusement, éloignez le tube de détente du clapet.
5. Dévissez le clapet (en le faisant tourner dans le sens contraire des aiguilles d'une montre) à l'aide d'une clé plate de 7/8 po. (22mm) Remarque l'orientation du clapet pour le réassemblage.



6. Dévissez le raccord coudé de la soupape de retenue (en tournant dans le sens contraire des aiguilles d'une montre) à l'aide d'une clé réglable. Notez l'orientation du raccord coudé pour faciliter la pose plus tard.

7. À l'aide d'un tournevis, poussez avec soin le disque de soupape vers le haut et le bas. **REMARQUE** : Le disque de soupape devrait se déplacer librement vers le haut et vers le bas sur un ressort qui retient le disque de soupape en position fermée. Si cela n'est pas le cas, la soupape de retenue doit être nettoyée ou remplacée.



8. Nettoyez ou remplacez le clapet. Un solvant, comme du diluant à peinture ou du décapant pour vernis, peut être utilisé pour nettoyer le clapet.
9. Appliquez le solvant sur les filets du clapet. Réinstallez le clapet (faites tourner dans le sens des aiguilles d'une montre).
10. Remplacez le tube de détente. Resserrez les écrous.
11. Remplacez le tube de débit et resserrez les écrous.
12. Entrenez le processus d'amorçage. Voir « Processus d'amorçage » dans la section « Opération ».



## RANGEMENT

Avant de ranger le compresseur d'air, effectuez les étapes suivantes :

1. Revoyez la section intitulée « Entretien » des pages précédentes et exécutez l'entretien requis.
2. Placez le levier « On/Auto/Off » à la position « OFF ».
3. Tournez le régulateur dans le sens contraire des aiguilles d'une montre et réglez la pression de sortie à zéro.
4. Débranchez l'outil pneumatique ou l'accessoire.
5. Tirez l'anneau de la soupape de sûreté pour purger l'air du réservoir jusqu'à ce que la pression dans le réservoir soit d'environ 20 psi. Relâchez l'anneau de la soupape de sûreté.
6. Vidangez l'eau du réservoir d'air en ouvrant le robinet de vidange situé en bas du réservoir.

**⚠ AVERTISSEMENT** L'eau dans le réservoir d'air peut condenser. Si le réservoir n'est pas vidangé, l'eau corrodera et affaiblira les parois du réservoir d'air, causant ainsi un risque d'éclatement du réservoir.

7. Une fois la vidange de l'eau terminée, fermez le robinet de vidange.

**REMARQUE** : Si le robinet de vidange est engorgé, libérez tout l'air comprimé. Le robinet de vidange peut alors être enlevé, nettoyé et réinstallé.

8. Enroulez le cordon électrique sur le porte-cordon, tel qu'illustré.
9. Protégez le boyau d'air contre les dommages (tel que les dommages causés en marchant ou en roulant sur le boyau).
10. Poussez la poignée de tirage vers l'intérieur avant d'entreposer l'appareil.
11. Rangez le compresseur d'air dans un endroit propre et sec.



**IMPORTANT** : Utilisez seulement la poignée de tirage pour tirer l'appareil ; utilisez la poignée de transport pour soulever et transporter l'appareil.

## DÉPANNAGE

### ⚠ AVERTISSEMENT

Le fait d'effectuer des réparations vous expose à des sources de tension, d'air comprimé ou à des pièces en mouvement.

Des blessures pourraient ainsi survenir. Avant de faire toute réparation, débranchez la source d'alimentation du compresseur et laissez s'échapper toute la pression d'air.

PROBLÈME	CAUSE	CORRECTIF
Pression excessive dans le réservoir - la soupape de sûreté saute.	Le pressostat ne met pas le moteur hors tension lorsque le compresseur atteint un niveau de pression excessif.  La limite du pressostat est trop élevée.	Mettez la manette « On/Auto/Off » dans la position d'arrêt « OFF ». Si l'appareil ne s'arrête pas, adressez-vous à un technicien qualifié.  Adressez-vous à un technicien qualifié.
L'air fuit aux points de raccord.	Les raccords des tubes ne sont pas assez serrés.	Resserrez les raccords où vous entendez l'air s'échapper. Vérifiez les raccords à l'aide d'une solution d'eau savonneuse. ÉVITEZ DE TROP SERRER.
L'air fuit au clapet ou à l'intérieur de celui-ci.	Le siège du clapet est endommagé.	Une soupape de retenue défectueuse entraîne une fuite d'air constante au niveau de la soupape de décharge de pression lorsque l'air dans le réservoir est sous pression et que le compresseur est arrêté. Remplacez la soupape de retenue. Consultez la partie intitulée « Remplacement ou nettoyage de la soupape de retenue » de la section sur l'entretien et réglages.
L'air fuit à la soupape de détente du pressostat.	Soupape de détente du pressostat défectueuse.	Adressez-vous à un technicien qualifié.
L'air fuit du réservoir ou des joints du réservoir.	Réservoir d'air défectueux.	Le réservoir doit être remplacé. Ne réparez pas la fuite.  <b>⚠ AVERTISSEMENT</b> Évitez de percer, de souder ou de modifier le réservoir d'air de quelque façon. Celui-ci risquerait de rompre ou d'exploser.
Fuite d'air entre la tête et la plaque de la soupape.	Joint fuyard.	Adressez-vous à un technicien qualifié.

PROBLÈME	CAUSE	CORRECTIF
Le relevé de pression indiqué sur le manomètre réglé (si fourni) tombe si un accessoire est utilisé.	Il est normal qu'une certaine chute de pression ait lieu.	S'il y a une chute excessive de pression lors de l'utilisation d'un accessoire, ajustez le régulateur en suivant les instructions dans la section intitulée " Fonctionnement ". <b>REMARQUE</b> : Réglez la pression régularisée dans des conditions de débit (pendant que l'accessoire est utilisé).
Fuite d'air au niveau de la soupape de sûreté.	Défectuosité possible dans la soupape de sûreté.	Faites fonctionner manuellement la soupape de sûreté en tirant sur l'anneau. Si la soupape fuit toujours, elle doit être remplacée.
Le compresseur n'émet pas assez d'air pour faire fonctionner les accessoires.	Usage d'air prolongé ou excessif. Le compresseur n'est pas assez puissant pour les exigences en air.  Trou dans le boyau.  Clapet obstrué.  Fuite d'air.  Filtre de la prise d'air obstrué.	Réduisez l'usage d'air.  Vérifiez l'exigence en air des accessoires. Si elle est supérieure au $\text{pi}^3/\text{mn}/\text{à}$ la pression fournie par votre compresseur, vous devrez vous munir d'un compresseur plus puissant. Vérifiez et remplacez-le au besoin.  Retirez et nettoyez-le ou remplacez-le.  Resserrez les raccords.  Nettoyez ou remplacez le filtre de la prise d'air. N'utilisez pas le compresseur une fois le filtre enlevé. Consultez le paragraphe « Filtre d'air » de la section « Entretien ». Desserrez l'écrou à oreilles et resserrez-le ensuite jusqu'à ce qu'il touche la rondelle en ajoutant ensuite un tour supplémentaire.
Entrée d'air restreinte.	Filtre à air encrassé.	Nettoyez ou remplacez-le. Voir le paragraphe « Filtre à air » de la section « Entretien ».
De l'air fuit constamment de la poignée du régulateur.	Régulateur endommagé.	Adressez-vous à un technicien qualifié.
Le régulateur ne réussit pas à fermer complètement la sortie d'air.	Régulateur endommagé.	Adressez-vous à un technicien qualifié.

PROBLÈME	CAUSE	CORRECTIF
<p>Le moteur ne fonctionne pas.</p>	<p>Le protecteur contre la surcharge du moteur a été désenclenché.</p> <p>La pression du réservoir excède la limite établie du pressostat.</p> <p>Clapet coincé en position ouverte.</p> <p>Connexions électriques lâches.</p> <p>Possibilité de défectuosité du moteur ou du condensateur de démarrage.</p> <p>Jet de peinture sur les pièces internes du moteur.</p> <p>La soupape de détente du pressostat n'a pas relâché la pression des têtes.</p> <p>Fusible sauté, disjoncteur déclenché.</p>	<p>Laissez le moteur refroidir et le protecteur de surcharge se réenclenchera.</p> <p>Le moteur démarrera automatiquement une fois la pression du réservoir tombée sous la limite établie du pressostat.</p> <p>Retirez et nettoyez-le ou remplacez-le.</p> <p>Vérifiez les connexions des fils dans le pressostat et dans la boîte de raccordement.</p> <p>Faites appel à un technicien qualifié.</p> <p>Faites appel à un technicien qualifié.</p> <p>N'utilisez pas le compresseur dans le secteur d'une pulvérisation de peinture. Voir l'avertissement au sujet des vapeurs inflammables.</p> <p>Libérez la pression du boyau en mettant sur le levier du pressostat en position d'arrêt « OFF ». Si la soupape ne s'ouvre pas de nouveau, remplacez-la</p> <ol style="list-style-type: none"> <li>1. Vérifiez le coffret à fusibles pour y trouver des fusibles sautés et, le cas échéant, remplacez-les. Réenclenchez le disjoncteur. N'utilisez pas de fusible ou de disjoncteur dont le régime excède le régime précisé pour ce circuit de dérivation particulier.</li> <li>2. Vérifiez que vous utilisez des fusibles appropriés. Des fusibles à retardement sont nécessaires.</li> <li>3. Assurez-vous de l'absence de toute situation de basse tension et(ou) assurez-vous d'utiliser une rallonge convenable.</li> <li>4. Débranchez tout autre appareil électrique du circuit ou utilisez le compresseur sur son propre circuit de dérivation.</li> </ol>

<b>PROBLÈME</b>	<b>CAUSE</b>	<b>CORRECTIF</b>
Bruit de cliquetis.	<p>Problème possible de la soupape de sûreté.</p> <p>Clapet défectueux.</p> <p>Vis de montage du compresseur lâches.</p> <p>Accumulation de carbone dans la pompe.</p>	<p>Opérez la soupape de sûreté manuellement en tirant sur l'anneau. Si la soupape fuit toujours, remplacez-la.</p> <p>Retirez et nettoyez-le ou remplacez-le.</p> <p>Resserrez les vis de fixation, Voir le Guide des pièces pour les de couple de serrage.specifications.</p> <p>Adressez-vous à un technicien qualifié.</p>
Sifflement.	La pompe du compresseur manque d'huile.	Voir le paragraphe « Vérification de l'huile » de la section « Entretien ».

# NOTES

# NOTES

# GARANTIE LIMITÉE

**PORTER-CABLE CORPORATION** garantit à l'acheteur original que tous les produits couverts par cette garantie sont exempts de défauts de matériaux et de fabrication. Les produits couverts par cette garantie comprennent les compresseurs d'air, les outils pneumatiques, les pièces de rechange, les laveuses à pression et les génératrices dont les périodes de garantie sont les suivantes :

**3 ANS** - Garantie limitée sur les pompes de compresseurs d'air sans huile, à 2 étages, fonctionnant à 1 725 tr/min.

**2 ANS** - Garantie limitée sur les pompes de compresseurs d'air lubrifiées à l'huile.

**1 AN** - Garantie limitée pour toutes les autres composantes des compresseurs d'air .

**2 ANS** - Garantie limitée sur les alternateurs des génératrices électriques.

**2 ANS** - Garantie limitée sur les outils.

**1 AN** - Garantie limitée sur les laveuses à pression utilisées comme bien de consommation (c.-à-d. utilisés seulement à des fins personnelles ou résidentielles).

**90 JOURS** - Laveuses à pression utilisées à des fins commerciales (c.-à-d. produisant un revenu) et pièces de rechange.

**1 AN** - Garantie limitée sur tous les accessoires.

**Porter-Cable** réparera ou remplacera, à sa discrétion, les produits ou composants s'étant avérés défectueux dans les limites de la période de garantie. Les services seront effectués en respectant l'ordre normal des travaux, lors d'une journée ouvrable, aux installations du Centre de service après-vente et selon la disponibilité des pièces de rechange nécessaires. Toute décision prise par **Porter-Cable** en ce qui concerne cette garantie limitée est finale.

Cette garantie vous donne certains droits particuliers. Il se peut que vous ayez d'autres droits, variant d'une province à l'autre et d'un état à l'autre.

## RESPONSABILITÉ DE L'ACHETEUR D'ORIGINE (utilisateur initial) :

- Pour faire une réclamation de garantie pour ce produit, NE retournez PAS le produit au détaillant. Le produit doit être évalué par le personnel d'un Centre de service après-vente agréé de **Porter-Cable**. Pour connaître l'emplacement du Centre de service après-vente agréé de **Porter-Cable** le plus près de chez vous, composez le 1-888-559-8550, 24 heures par jour, 7 jours par semaine.
- Conservez le reçu de caisse original comme preuve d'achat pour toute réparation sous garantie.
- Appliquez tous soins raisonnables lors de l'utilisation et de l'entretien du produit, conformément aux recommandations dans le ou les guide(s) de l'utilisateur.
- Livrez ou expédiez le produit au Centre de service après-vente agréé de **Porter-Cable** le plus proche. Le fret doit, le cas échéant, être acquitté par l'acheteur.
- Les compresseurs d'air à réservoir de 60 et 80 gallons (227 et 303 litres) seront inspectés sur les lieux de leur installation. Veuillez communiquer avec le Centre de service après-vente agréé de **Porter-Cable** le plus proche offrant le service sur place, pour faire les arrangements nécessaires dans un tel cas.
- Tout acheteur qui n'est pas satisfait de l'intervention du Centre de service après-vente agréé de **Porter-Cable** est prié de communiquer directement avec **Porter-Cable**.

## CETTE GARANTIE NE COUVRE PAS CE QUI SUIT :

- Marchandise remise à neuf, utilisée comme équipement de location ou modèles de salon ou d'exposition.
- Marchandise ayant cessé de fonctionner en raison d'usure normale, d'usage abusif\*, d'exposition au froid, à la chaleur, à la pluie, à l'humidité excessive ou au gel, d'usage de produits chimiques non appropriés, de négligence, d'accidents, de tout manquement à observer les directives d'utilisation du produit figurant dans le ou les guide(s) de l'utilisateur fournis avec le produit, d'un entretien non approprié, de l'utilisation d'accessoires ou de pièces non recommandées par **Porter-Cable**, ou de réparations ou de modifications non approuvées.
- \* · Un compresseur d'air pompant de l'air plus longtemps que le cycle de service recommandé durant une période d'une heure peut être considéré comme ayant subi un usage abusif.
- Frais de réparation et de transport de marchandise non reconnue comme étant défectueuse.
- Coûts associés à l'assemblage, l'ajout nécessaire d'huile, les réglages ou autres frais d'installation et de mise en marche.
- Pièces ou accessoires consommables, fournis avec le produit, et qui deviennent inutilisables ou inopérants après une période raisonnable d'utilisation, y compris, mais sans être limités aux disques ou tampons de ponçage, lames de scie et de ciseaux, pierres meulrières, ressorts, burins, buses, joints toriques, gicleurs d'air, rondelles et accessoires similaires.
- Marchandise vendue par **Porter-Cable** mais fabriquée par et identifiée comme étant le produit d'une autre compagnie. Dans ce cas, la garantie du fabricant du produit s'applique, si une telle garantie est offerte.
- **TOUTE PERTE, TOUT DOMMAGE DIRECT OU INDIRECT OU TOUT FRAIS POUVANT RÉSULTER D'UN DÉFAUT QUELCONQUE, D'UNE DÉFAILLANCE OU D'UN MAUVAIS FONCTIONNEMENT DU PRODUIT.** Certaines provinces et certains états ne permettent pas l'exclusion ni la limitation des dommages directs ou indirects. Par conséquent, il se peut que les exclusions ou limitations mentionnées ci-dessus ne s'appliquent pas dans votre cas.
- **TOUTES GARANTIES IMPLICITES, Y COMPRIS CELLES PORTANT SUR LA VALEUR MARCHANDE ET L'APPLICATION DU PRODUIT POUR UNE UTILISATION PARTICULIÈRE, SONT LIMITÉES À UN AN À COMPTER DE LA DATE D'ACHAT D'ORIGINE.** Certaines provinces et certains états ne permettent pas la limitation de la période d'une garantie implicite. Par conséquent, il se peut que les limitations mentionnées ci-dessus ne s'appliquent pas dans votre cas.

**PORTER-CABLE®**

Porter-Cable Corporation

Jackson, TN

1-888-559-8550