

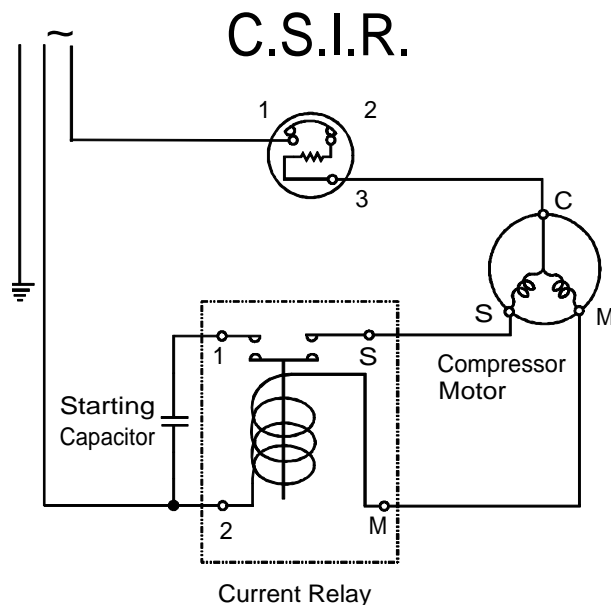
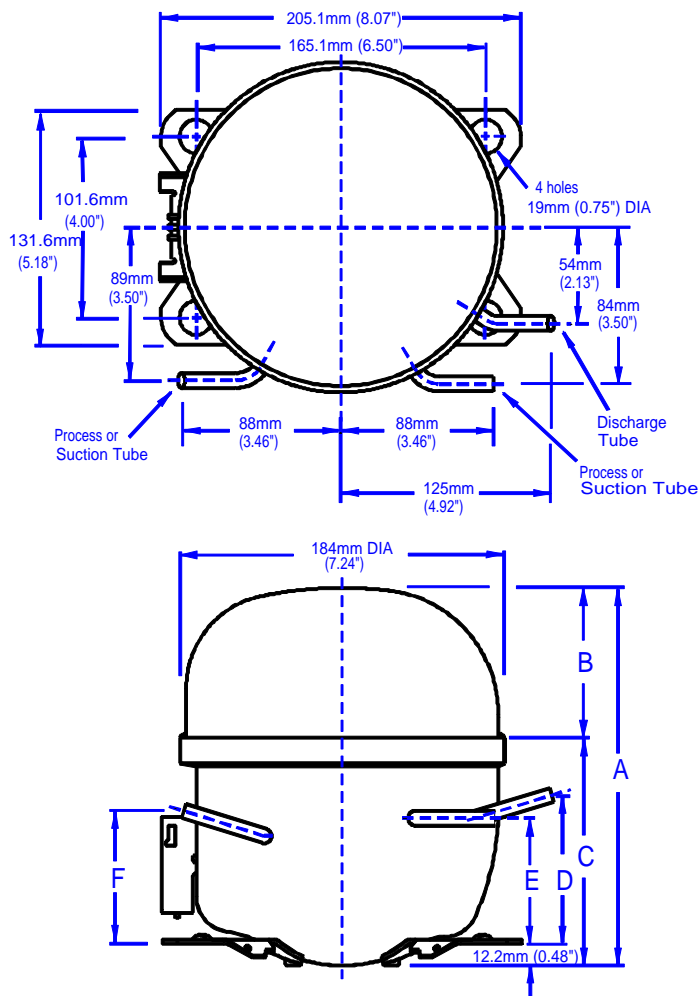
MATSUSHITA Compressor

MODEL# QA125K29CAU6 (100 μ F Start Cap.) R-134a

Single Phase

115 V

60 Hz



Dimensions*

	mm	inches
A	208.6	8.21
B	92.8	3.65
C	115.8	4.56
D	77.0	3.03
E	62.2	2.45
F	77.0	3.03

* All dimensions are for reference only

This document sets forth certain operational parameters and conditions for operation of this product. If this product is operated outside of the parameters and conditions stated herein, buyer assumes sole and full responsibility and shall indemnify seller with respect to all product failures and all consequences thereof. Operation of the product outside of the parameters and conditions specified herein shall serve to invalidate all seller warranties, if any, with respect to the product. This document is for reference only. For specifications, please contact Panasonic's engineering department.

Tubes	Tube O.D.	Wall	Material
Suction	0.39 in. / 10 mm	0.035 in. / 0.9 mm	Copper
Process	0.39 in. / 10 mm	0.035 in. / 0.9 mm	Copper
Discharge	0.33 in. / 8.3 mm	0.035 in. / 0.9 mm	Copper

U.L. File # SA 4615
 C.S.A. File #'s LR - 34080
 LR - 36593
 LR - 100738

General Data	Oil Charge
Oil Charge	250 cc \pm 5 cc / 15.3 cu.in. \pm 0.3 cu.in.
Net Weight With Oil	22.2 lbs, 10.1 kg
Approved Oils	FREOL α 22
Residual Moisture	120 mg max.
Impurities	10 mg max.
Displacement	12.50 cc. / 0.763 cu. in.

Panasonic®

Panasonic Industrial Company
 Refrigeration Products Department
 Tel: 201 - 392 - 4249
 Fax: 201 - 392 - 4315

Rev#1-5/9