



Service Manual / Manuel de Service

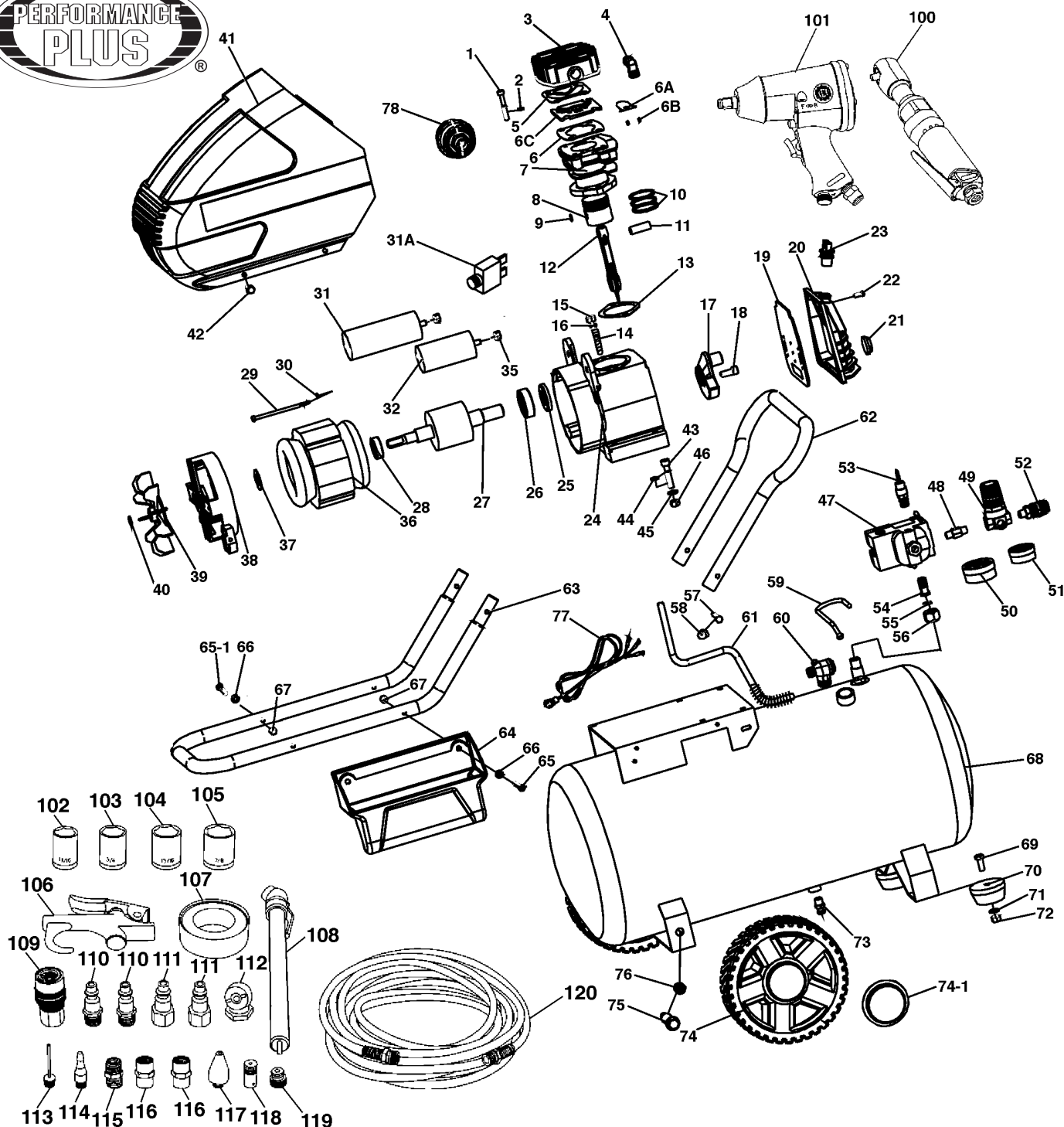
3.5 Peak HP Air Compressor & Air Tool Kit

Ens. de Compresseur à Air 3.5 CV Débit Max & Outils à Air



Revised/Revisé 10/2008

8494K





Parts Pricing List / Liste de Prix des Pièces

8494K

Diag.	Order # Com.	English Description	Description Française	Qty./Qté.	Price/Prix
1	6284940010	CAP SCREW	BOULON A TETE CYLINDRIQUE	4	\$2.93
2	6284940020	SPRING WASHER	RONDELLE A RESSORT	4	\$1.55
3	6284940030	CYLINDER HEAD	TETE DU CYLINDRE	1	\$32.95
4	6284940040	ELBOW	COUDE	1	\$4.45
5	6284940050	CYLINDER HEAD GASKET	JOINT D'ETANCHEITE/TETE DU CYL.	1	\$5.00
6	6284940060	UPPER CYLINDER GASKET	JOINT D'ETANCHEITE DU HAUT DU CYL.	1	\$11.95
6A	6284940061	INLET VALVE	VALVE D'ENTREE	1	\$5.69
6B	6284940062	VALVE PIN	GOUPILLE DE LA VALVE	2	\$1.44
6C	6284940063	VALVE PLATE	PLAQUE DE LA VALVE	1	\$21.95
7	6284940070	CYLINDER	CYLINDRE	1	\$33.95
8	6284940080	PISTON	PISTON	1	\$18.95
9	6284940090	RETAINING RING/BORE	ANNEAU DE RETENU/ALESAGE	2	\$2.59
10	6284940100	PISTON RING SET (3)	JEU D'ANNEAUX DU PISTON	1	\$11.95
11	6284940110	PISTON PIN	GOUPILLE DU PISTON	1	\$5.69
12	6284940120	CONNECTING ROD	TIGE DE CONNECTION	1	\$14.55
13	6284940130	LOWER CYLINDER GASKET	JOINT D'ETANCHEITE DU BAS/TETE	1	\$6.27
14	6284940140	STUD	TIGE FILETEE	2	\$1.85
15	6284940150	HEX. NUT	ECROU HEXAGONAL	2	\$1.55
16	6284940160	SPRING WASHER	RONDELLE A RESSORT	2	\$1.45
17	6284940170	CRANKSHAFT	VILBREQUIN	1	\$14.55
18	6284940180	SPECIAL CAP SCREW	BOULON A TETE CYLINDRIQUE SPEC.	1	\$3.05
19	6284940190	CRANKCASE COVER SEAL	JOINT D'ETANCHEITE DU COUV.	1	\$13.74
20	6284940200	CRANKCASE COVER	COUVERCLE DU CARTER	1	\$36.74
21	6284940210	OIL SIGHT GLASS	NIVEAU D'HUILE	1	\$4.54
22	6284940220	PAN HD SCREW	VIS A TETE BOMBEE	4	\$1.73
23	6284940230	OIL BREATHER CAP	CAPUCHON D'AERATION D'HUILE	1	\$5.69
24	6284940240	CRANK CASE	CARTER	1	\$64.95
25	6284940250	OIL SEAL	JOINT D'ETANCHEITE	1	\$10.29
26	6284940260	BALL BEARING	ROULEMENT A BILLES	1	\$12.59
27	6284940270	ARMATURE	ARMATURE	1	\$69.95
28	6284940280	BALL BEARING	ROULEMENT A BILLES	1	\$12.59
29	6284940290	HEX. BOLT	BOULON HEXAGONAL	4	\$3.74
30	6284940300	SPRING WASHER	RONDELLE A RESSORT	4	\$1.55
31	6284940310	RUNNING CAPACITOR	CONDENSATEUR DE DEMARRAGE	1	\$19.38
31A	6284940311	RESET BUTTON	RELAIS DE SECURITE	1	\$12.48
32	6284940320	STARTING CAPACITOR	CONDENSATEUR DE DEMARRAGE	1	\$27.31
35	6284940350	HEX. NUT	ECROU HEXAGONAL	2	\$1.55
36	6284940360	FIELD COIL	BOBINE D'ENTRAINEMENT	1	\$94.95
37	6284940370	WAVE WASHER	RONDELLE ONDULEE	1	\$2.70
38	6284940380	END COVER	COUVERCLE DU BOUT	1	\$34.95
39	6284940390	FAN	VENTILATEUR	1	\$6.84
40	6284940400	RETAINING RING/SHAFT	ANNEAU DE RETENUE/TIGE	1	\$1.55
41	6284940410	MOTOR COVER	COUVERCLE DU MOTEUR	1	\$27.95
42	6284940420	FLANGE HD HEX. BOLT	BOULON HEXAGONAL A TETE BRIDEE	4	\$2.24
43	6284940430	CAP SCREW	BOULON A TETE CYLINDRIQUE	4	\$2.59
44	6284940440	SPRING WASHER	RONDELLE RESSORT	4	\$1.55
45	6284940450	WASHER	RONDELLE	4	\$1.55

Pricing subject to change without prior notice. / Prix sujet à changement sans préavis.



Parts Pricing List / Liste de Prix des Pièces

8494K

Diag.	Order # Com.	English Description	Description Française	Qty./Qté.	Price/Prix
46	6284940460	HEX. NUT	ECROU HEXAGONAL	4	\$1.55
47	6284940470	PRESSURE SWITCH	MANOSTAT	1	\$38.81
48	6284940480	CONNECTOR PIPE	RACCORD	1	\$4.08
49	6284940490	REGULATOR	REGULATEUR	1	\$22.94
50	6284940500	TANK PRESSURE GAUGE (LARGE)	JAUGE DE PRESSION/RESERVOIR (LRG)	1	\$16.04
51	6284940510	TANK PRESSURE GAUGE (SMALL)	JAUGE DE PRESSION/REG. (PETIT)	1	\$16.04
52	6284940520	QUICK CONNECT (FEMALE)	RACCORD A CONNECTION RAP. (FEM.)	2	\$12.48
53	6284940530	SAFETY VALVE	SOUPAPE DE SECURITE	1	\$12.59
54	6284940540	PIPE CONNECTOR	RACCORD	1	\$3.95
55	6284940550	O-RING	JOINT TORIQUE	1	\$1.95
56	6284940560	SPECIAL NUT	ECROU SPECIAL	1	\$2.55
57	6284940570	HEX. BOLT	BOULON HEXAGONAL	2	\$2.07
58	6284940580	HEX. NUT	ECROU HEXAGONAL	2	\$1.67
59	6284940590	COMP. PRESSURE RELEASE PIPE	BOYAU DE RELACHE COMPLET	1	\$21.79
60	6284940600	CHECK VALVE	SOUPAPE ANTI-RETOUR	1	\$12.25
61	6284940610	COMPLETE EXHAUST PIPE	TUBE DE REFROIDISSEMENT COMP.	1	\$22.94
62	6284940620	UPPER HANDLE	POIGNEE DU HAUT	1	\$24.95
63	6284940630	LOWER HANDLE	POIGNEE DU BAS	1	\$21.95
64	6284940640	STORAGE COMPARTMENT	COMPARTIMENT D'ENTREPOSAGE	1	\$14.95
65	6284940650	PAN HD SCREW	VIS A TETE BOMBEE	2	\$2.47
65-1	6284940651	HEX. BOLT	BOULON HEXAGONAL	2	\$1.50
66	6284940660	WASHER	BOULON HEXAGONAL	4	\$1.55
67	6284940670	HEX. NUT	ECROU HEXAGONAL	4	\$1.67
68	6284940680	TANK (SPECIAL ORDER)	RESERVOIR (COMMANDE SPECIALE)	1	\$149.95
69	6284940690	HEX. BOLT	BOULON HEXAGONAL	2	\$1.90
70	6284940700	RUBBER FOOT	PIED EN CAOUTCHOUC	2	\$3.39
71	6284940710	WASHER	RONDELLE	4	\$1.55
72	6284940720	HEX. NUT	ECROU HEXAGONAL	2	\$1.55
73	6284940730	DRAIN VALVE	SOUPAPE DE VIDANGE	1	\$5.95
74	6284940740	WHEEL	ROUE	2	\$17.95
74-1	6284940741	WHEEL CAP	CAPUCHON DE LA ROUE	2	\$2.95
75	6284940750	SPECIAL HEX. BOLT	BOULON HEXAGONAL SPECIAL	2	\$3.95
76	6284940760	NYLON HEX. NUT	ECROU HEXAGONAL AVEC NYLON	2	\$2.36
77	6284940770	POWER CORD	CORDON D'ALIMENTATION	1	\$22.94
78	6284940780	AIR FILTER	FILTRE A AIR	1	\$10.95
100	5784961000	3/8" RATCHET WRENCH	CLE A CLIQUET 3/8"	1	\$49.39
101	5784961010	1/2" IMPACT WRENCH	CLE A CHOCS 1/2"	1	\$51.69
102	5784961020	IMPACT SOCKET (11/16")	DOUILLE CARREE (11/16")	1	\$3.74
103	5784961030	IMPACT SOCKET (3/4")	DOUILLE CARREE (3/4")	1	\$3.74
104	5784961040	IMPACT SOCKET (13/16")	DOUILLE CARREE (13/16")	1	\$3.74
105	5784961050	IMPACT SOCKET (7/8")	DOUILLE CARREE (7/8")	1	\$3.74
106	5784961060	AIR BLOWER	PISTOLET A AIR	1	\$10.06
107	5784961070	TEFLON TAPE	RUBAN DE TEFLON	1	\$2.24
108	5784961080	TIRE PRESSURE GAUGE	JAUGE DE PRESSION POUR PNEUS	1	\$4.54
109	5784961090	QUICK CONNECT (FEMALE)	RACCORD A CONNECTION RAP. (FEM.)	1	\$11.33
110	5784961100	QUICK CONNECT (MALE)	RACCORD A CONNECTION RAP. (MALE)	2	\$4.43
111	5784961110	QUICK CONNECT (MALE)	RACCORD A CONNECTION RAP. (MALE)	2	\$4.43

Pricing subject to change without prior notice. / Prix sujet à changement sans préavis.



Parts Pricing List / Liste de Prix des Pièces

8494K

Diag.	Order # Com.	English Description	Description Française	Qty./Qté.	Price/Prix
112	5784961120	TIRE INFLATOR	GONFLEUR DE PNEUS	1	\$5.00
113	5784961130	SPORT NEEDLE	AIGUILLE SPORT	1	\$3.39
114	5784961140	HIGH PRESSURE NOZZLE	BUSE HAUTE PRESSION	1	\$3.05
115	5784961150	MALE ADAPTOR	ADAPTEUR MALE	1	\$3.39
116	5784961160	FEMALE ADAPTOR	ADAPTEUR FEMELLE	2	\$3.39
117	5784961170	RUBBER NOZZLE	BUSE DE CAOUTCHOUC	1	\$3.28
118	5784961180	SAFETY NOZZLE	BUSE DE SECURITE	1	\$2.70
119	5784961190	NEEDLE ADAPTOR	ADAPTEUR D'AIGUILLE	1	\$2.93
120	5784961200	5/16" X 25' RED AIR HOSE	BOYAU ROUGE 5/16" X 25'	1	\$17.19
	408494MBIL	BILINGUAL MANUAL 8494K	MANUEL BILINGUE 8494K	1	\$15.00