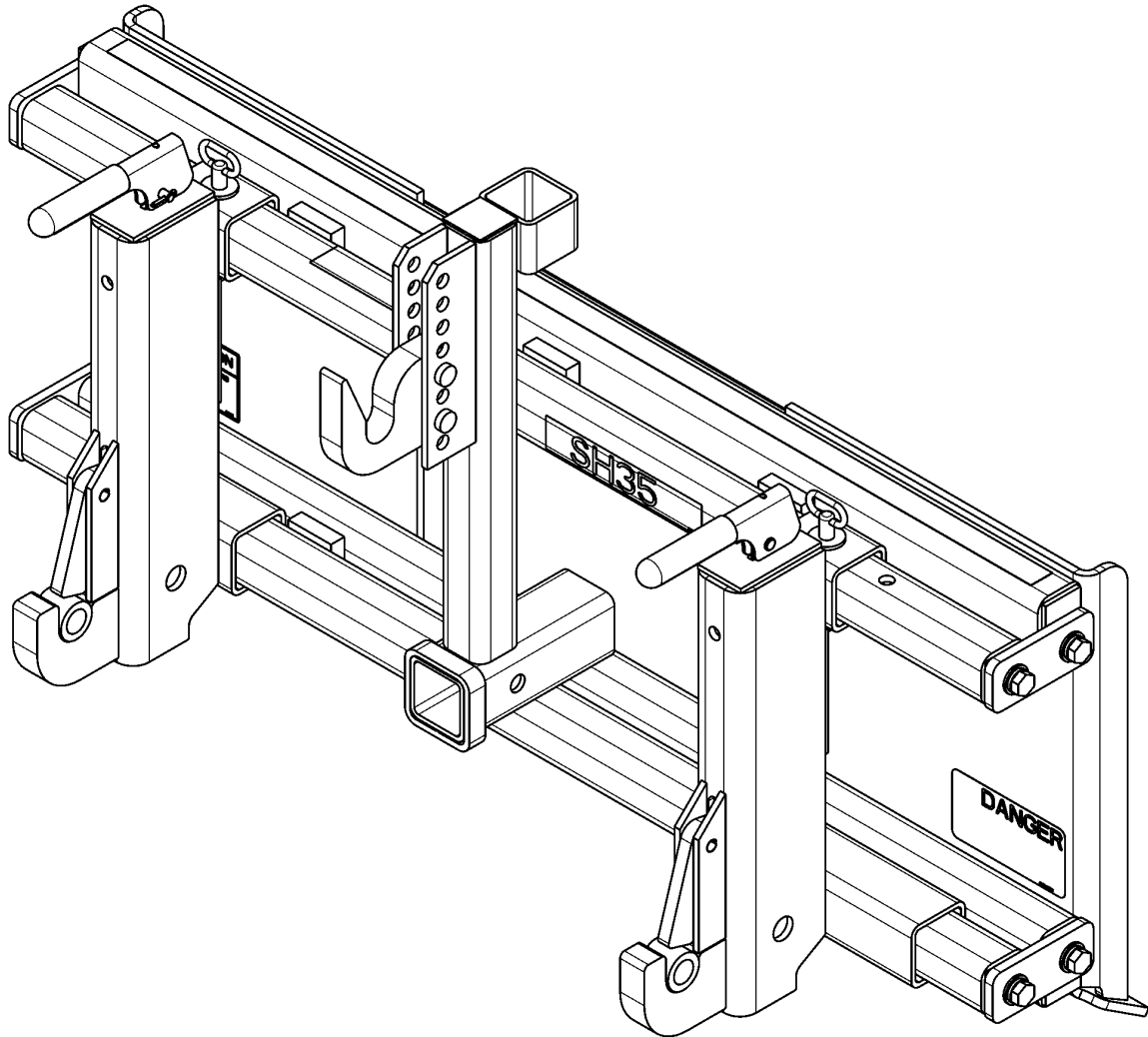


Skid Steer Quick Hitch

SH35 Category 1 & 2



22130

320-019P **Parts Manual**



Read the Operator's manual entirely. When you see this symbol, the subsequent instructions and warnings are serious - follow without exception. Your life and the lives of others depend on it!

© Copyright 2008 Printed 09/23/08

Cover photo may show optional equipment not supplied with standard unit.





Table of Contents

Section 1: Introduction.....4
Using This Manual.....4
Manual Replacement Information.....4
Manual Revisions.....4
Touch-up Paint.....4
Hardware Legend.....5
Replacement Hardware.....5
Serial Numbers.....5
Part Number Service Coding.....5

SKID STEER QUICK-HITCH

Section 2: Complete Assembly - SH35.....6
Complete Assembly.....6
Section 3: Labels - SH35.....8
Label Placement.....8

Part Number Index.....10

© Copyright 2008. All rights reserved.

Land Pride provides this publication “as is” without warranty of any kind, either expressed or implied. While every precaution has been taken in the preparation of this manual, Land Pride assumes no responsibility for errors or omissions. Neither is any liability assumed for damages resulting from the use of the information contained herein. Land Pride reserves the right to revise and improve its products as it sees fit. This publication describes the state of this product at the time of its publication, and may not reflect the product in the future. The illustrations in this manual are not intended for safe and proper assembly or disassembly of equipment. The illustrations are intended for ordering parts only.

Land Pride is registered trademark.

All other brands and product names are trademarks or registered trademarks of their respective holders.

Printed in the United States of America.



Alphabetized Table of Contents

SKID STEER QUICK-HITCH

C	
Complete Assembly.....	6
L	
Label Placement.....	8

General Information

Using This Manual

This manual is divided into sections. The first section contains General Information. The remaining sections divide the machine into segments (i.e. Frames, Drives, Hydraulics, etc.) which illustrate and list all parts. A Parts Number Index is located at the back of the book.

The Land Pride parts in this manual are specially designed for this machine and should be replaced with Land Pride parts only.

The information in this manual is current at time of printing. Some parts may change to assure top performance.

Right-hand and left-hand as used in this manual are determined by facing the direction the machine will travel while in use.

Below is an example of two facing pages from a parts manual. Familiarize yourself with the type of information contained on these pages.

Manual Replacement Information

Replacement manuals are available. Refer to our website at www.landpride.com or e-mail us at lit@landpride.com for additional information. Our website continues to provide the most up-to-date manuals available.

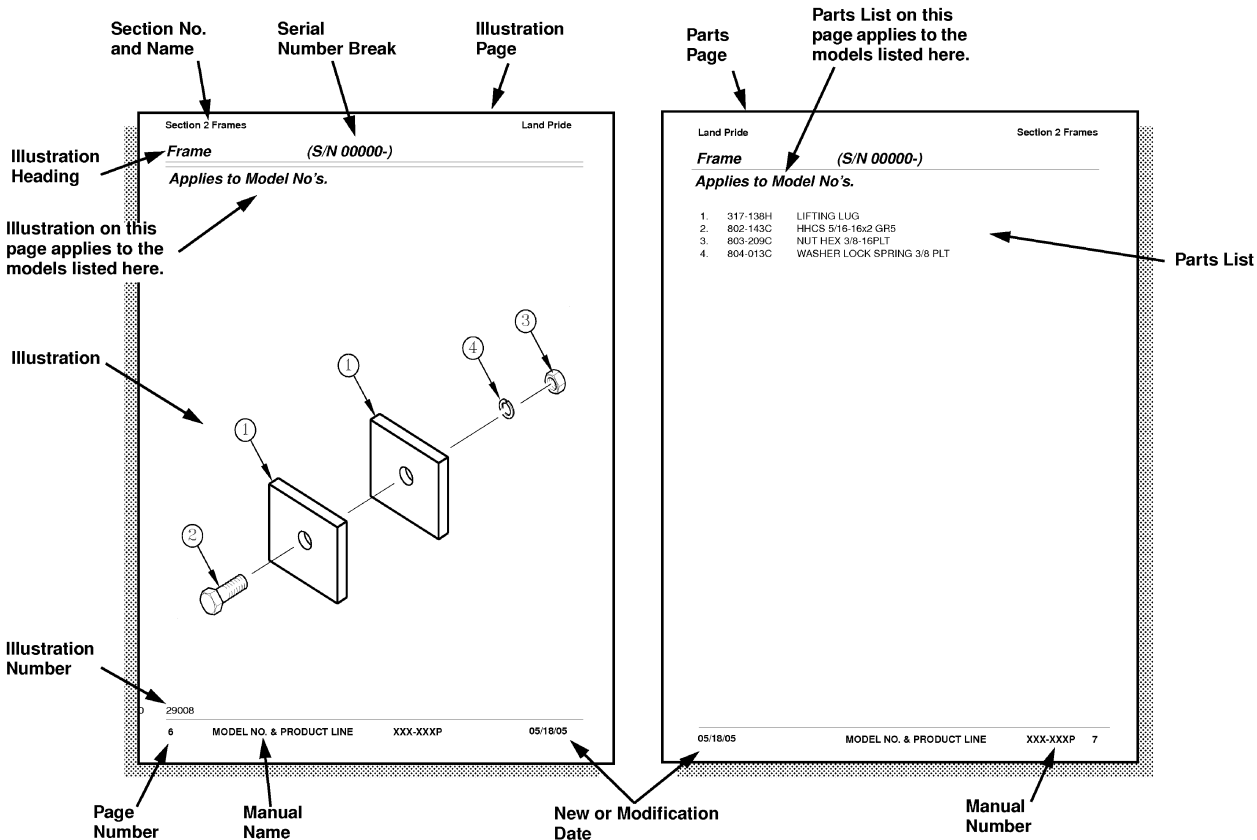
Touch-up Paint

Repaint parts where paint is worn or scratched to prevent rust. Aerosol cans and touch-up bottles with brush applicator are available through your local dealer. Land Pride color descriptions and part numbers are listed below. Also available are quart and gallon size paints. Add QT or GL to end of the Aerosol P/N.

Color	Product ¹	Aerosol	Touch-Up
Gloss Black	LP	821-032C	821-032CTU
Medium Gloss Black	UV	821-053C	821-053CTU
Beige	LP	821-011C	821-011CTU
Green	SLP	821-058C	821-058CTU
Orange	SLP	821-066C	821-066CTU
Red	SLP/UV	821-054C	821-054CTU
Blue	SLP/UV	821-067C	821-067CTU
Dark Green Sparkle	UV	821-055C	821-055CTU
Gondo Forest Green	UV	821-057C	821-057CTU
Brite Yellow ²	UV	821-056C	821-056CTU
Gondo Yellow ³	UV	821-059C	821-059CTU

Notes:

- LP = All Land Pride Products except Utility Vehicles
SLP = Select Land Pride Products that are available in optional Green, Orange, Red, & Blue colors.
UV = Utility Vehicles
- Used on Trekkers and (Runabouts with S/N 407628-)
- Used on Gondos and (Runabouts with S/N 407629+)



General Information

Hardware Legend

AR	As Required
BLADE	Blade Bolt
C	Cap Screw
CP	Cotter Pin
CPHSSS	Cup Point Hex Socket Set Screw
CPSHSS	Cup Point Square Head Set Screw
CPSQHSS	Cup Point Square Head Set Screw
CRFCHMS3	Cross Recess Flat Countersunk Head Machine Screw
CRPHMS	Cross Recess Pan Head Machine Screw
CRPHTFS	Cross Recess Pan Head Thread Forming
CRRHMS	Cross Recess Round Head Machine Screw
CRTHMS	Cross Recess Truss Head Machine Screw
CSNB	Countersunk Square Neck Bolt
FHMS	Flat Head Machine Screw
FTC	Full Thread Cap Screw
H	Hex Nut
HCLN	Hex Center Lock Nut
HFLCS	Hex Flange Lock Cap Screw
HFS	Hex Flange Screw
HFSLN	Hex Flange Serrated Lock Nut
HFSS	Hex Flange Serrated Screw
HHCS	Hex Head Cap Screw or Metric Bolt
HSBHCS	Hex Socket Button Head Cap Screw
HSFCHCS	Hex Socket Flat Countersunk Head Cap Screw
HSHCS	Hex Socket Head Cap Screw
HSSS	Hex Socket Head Screw
HTLN	Hex Top Lock Nut
HWHCS	Hex Washer Head Cap Screw

HWHMS	Hex Washer Head Machine Screw
HXBHCS	Hex Socket Button Head Cap Screw
J	Hex Jam Nut
JIC	37 Degree Tapered Thread
L	Helical Spring Lock Washer
LUG	Lug Bolt
NFC	National Fine Cap Screw
NPSM	National Pipe Straight Mechanical
NPTF	National Pipe Taper Fuel
P	Wide Plain Washer
PHMS	Pan Head Machine Screw
PLOW	Plow Bolt
RHMS	Round Head Machine Screw
RHSNB	Round Head Square Neck Bolt
SCREW LEVELING	Leveling Screw
SCREW THUMB	Thumb Screw
SCREW WELD	Weld Screw
SFCHMS	Slotted Flat Countersunk Head Machine Screw
SFHMS	Slotted Fillister Head Machine Screw
SP	Special
SP SCREW	Special Screw
SQHSS	Square Head Set Screw
SRHMS	Slotted Round Head Machine Screw
SSS	Socket Set Screw
STCS	Self Tapping Cap Screw
STHMS	Slotted Truss Head Machine Screw
WHEEL	Wheel Studs and Hub Long Bolts
WING	Wing Bolt

Replacement Hardware

The **Hardware Legend** above lists hardware abbreviations used in the parts list. All bolts and nuts are Grade 5 unless otherwise noted. The use of improper grades of hardware can result in personal injury, damage to equipment, or loss of property.

Colored Replacement Parts

Land Pride offers replacement parts in factory standard colors and also on select models in Green, Orange, Red and Blue. Because of the variety of colors available, special attention must be given to the part number to prevent ordering the wrong replacement part.

A suffix number corresponding to one of the colors below must be added at the end of Land Pride's part number when ordering a replacement part with that color.

81 Green 83 Red
82 Orange 84 Blue

For example, if you are ordering a replacement part with part number 555-555C and the part you need is red, then add the suffix 83 to the end of the number to make the part number read 555-555C83. Parts ordered without a suffix number will be supplied in factory standard colors.

Black Replacement Parts

Some parts are factory standard black and some must be special ordered black. If your part is special ordered black, a second part number with the additional suffix number 85 on the end will be available. In this situation you must order that part with the suffix number for it to be black. Parts that are factory standard black will not have the suffix number.

Part Number Service Coding

Within the parts list some part numbers are coded for revisions and interchangeability. See notations in revision column.

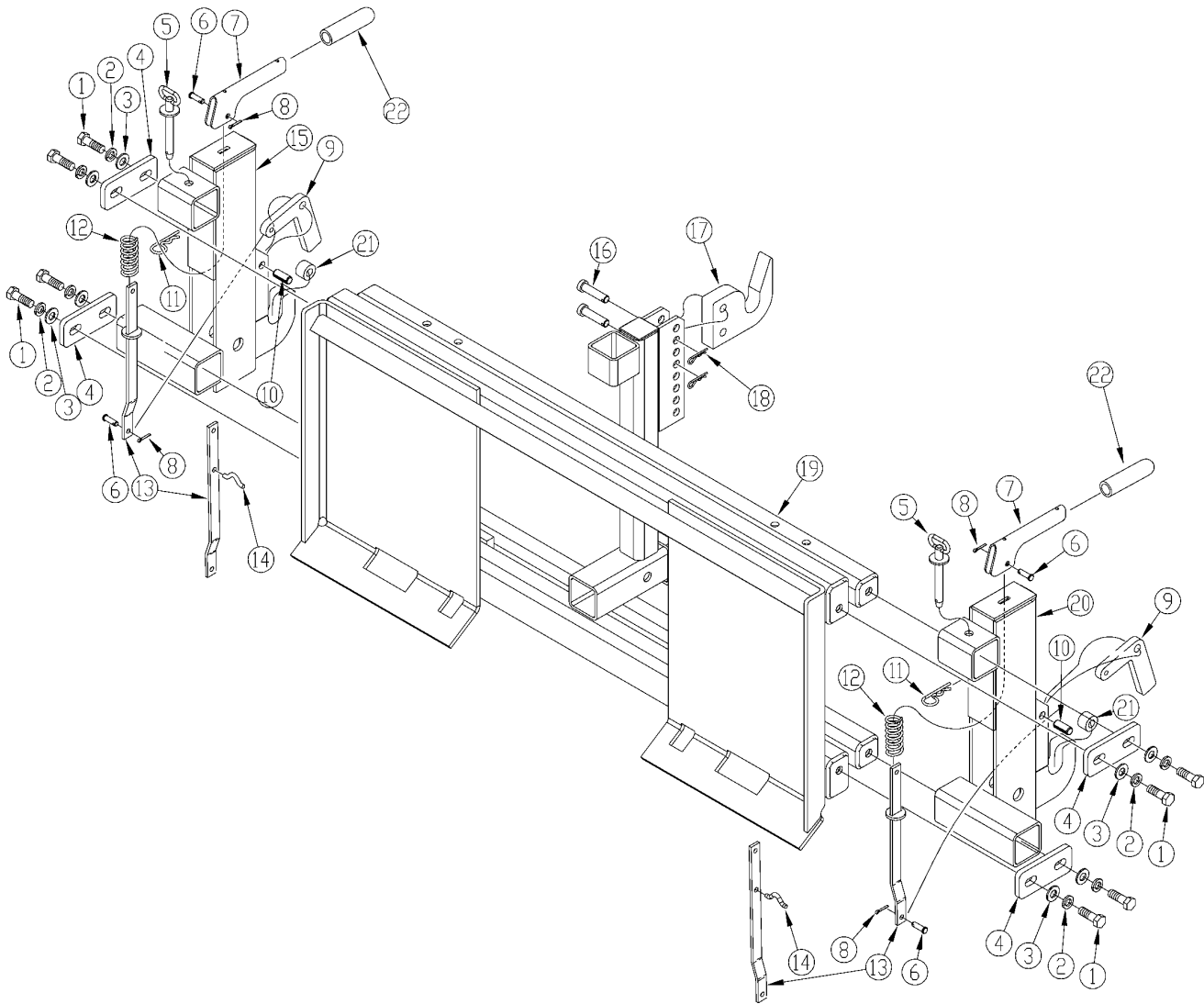
Serial Numbers

Always use the serial and model number when ordering parts. Refer to the Operator's Manual for serial number plate location.

- (S/N 20001+) Includes serial numbers 20001 and above (to the latest number)
- (S/N 10001 to 20000) Includes serial numbers between and including 10001 and 20000
- (S/N 10000-) Includes serial numbers 10000 and below (to the earliest number)

Complete Assembly

Applies to SH35



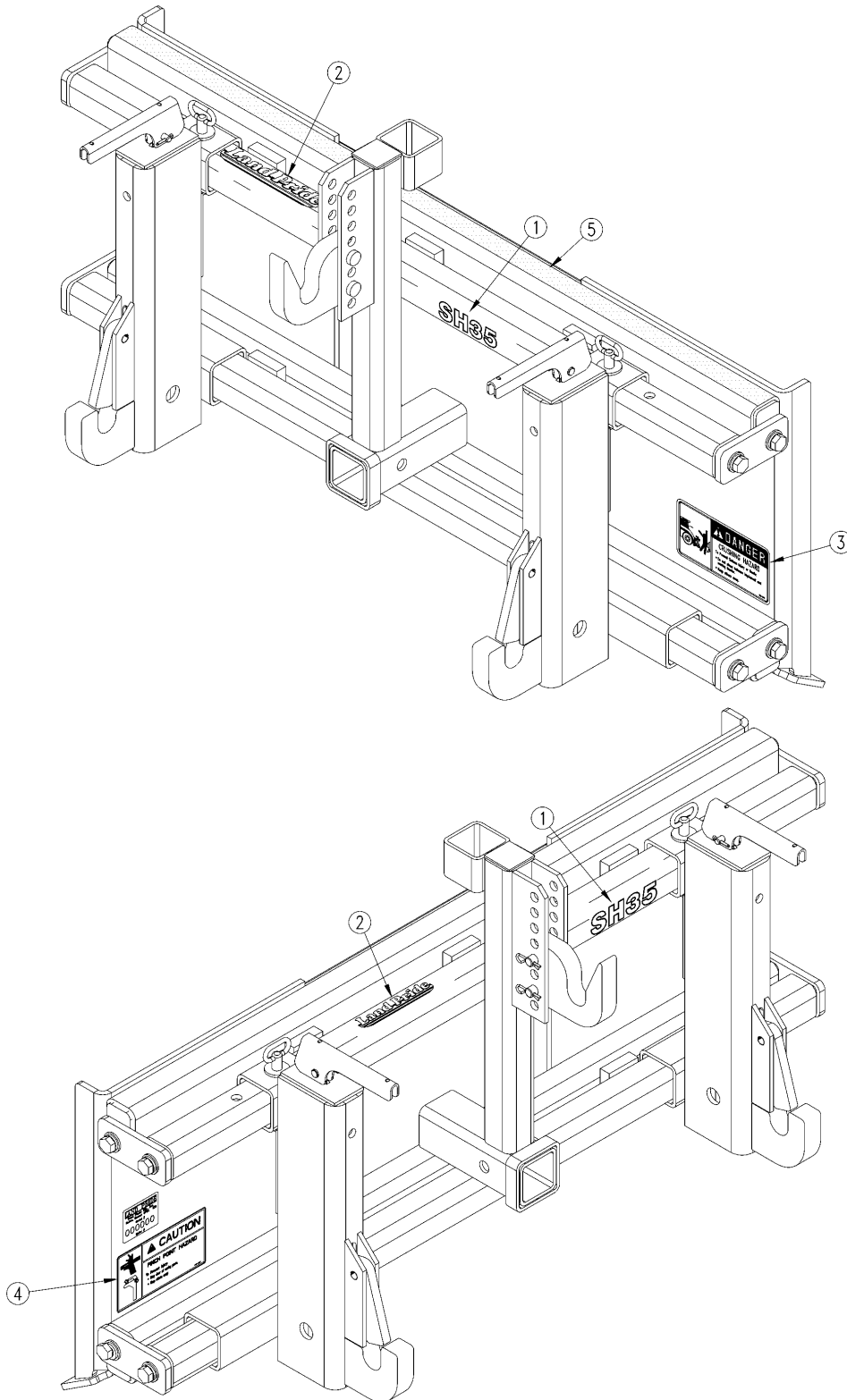
18446

Complete Assembly**Applies to SH35**

Ref	Part No.	Part Description	Comments	Revision
	dwg18446	Drawing Image Number		
1.	802-091C	HHCS 1/2-13X1 1/2 GR5		
2.	804-015C	WASHER LOCK SPRING 1/2 PLT		
3.	804-016C	WASHER FLAT 1/2 SAE PLT		
4.	320-032D	ADJUSTABLE ARM CAP		
5.	805-002C	PIN HITCH 1/2 X 3 USABLE LG		
6.	805-066C	PIN CLEVIS 5/16 X 1 BEE IND.		
7.	320-014D	LOCK UP HANDLE		
8.	805-067C	PIN COTTER 1/8 X 3/4		
9.	320-049D	LOWER 3 POINT LOCK ARM	(S/N 388293+)	Rev. 2 not compat. w/Rev. 1
9.	320-011D	LOWER 3 POINT LOCK ARM	(S/N 388292-)	Rev. 1
10.	805-123C	PIN ROLL 1/2 X 1 1/4 PLT		
11.	805-032C	PIN HAIR COTTER .148 WIRE		
12.	807-007C	SPRING LEVER		
13.	320-022H	QH35 SPRING LEVER ARM WLDMNT		Rev. 2 not compat. w/Rev. 1
13.	320-031D	SPRING LEVER ARM	Replaced by 320-022H	Rev. 1
14.	320-046D	SPRING WIRE CLIP	No Longer Used Replaced by 320-022H	
15.	320-008H	LOWER 3PNT ADJUSTABLE ARM LH		
16.	805-303C	PIN CLEVIS 1/2X1 49/64 USABLE		
17.	320-030D	UPPER 3PNT LUG CAT.1 & 2		
18.	805-010C	PIN HAIR COTTER .094		
19.	320-005H	CAT.1 & 2 SKID STEER Q.H. WLD		
20.	320-009H	LOWER 3PNT ADJUSTABLE ARM RH		
21.	320-048D	CAT1 QUICK HITCH LWR SPCR TUBE	(S/N 388293+) Standard	
21.	320-044D	SPCR TUBE 1.44ODX.93IDX1.50LG	Optional Order as Required	
21.	320-045D	SPCR TUBE 1.44ODX.93IDX1.93LG	Optional Order as Required	
21.	320-050D	SPCR TUBE 1.44ODX.93IDX2.18LG	Optional Order as Required	
21.	320-051D	SPCR TUBE 1.44ODX.93IDX2.43LG	Optional Order as Required	
21.	325-017D	SPCR TUBE 1.44ODX.93IDX2.88LG	Optional Order as Required	
22.	817-246C	GRIP HANDLE .84 ID X 4LG	(S/N 431490+)	

Label Placement

Applies to SH35



18447

Label Placement

Applies to SH35

Ref	Part No.	Part Description	Comments	Revision
	dwg18447	Drawing Image Number		
1.	838-117C	DECAL SH35 BEIGE		
2.	838-851C	DECAL LAND PRIDE 6.00 X .76		
3.	838-167C	DECAL DANGER CRUSHING HAZARD		
4.	818-866C	DECAL CAUTION PINCH POINT HAZ.		
5.	990-232R	3M CONFORM, ANTI-SLIP 1" WIDE		



Part Number Index

The Part Number Index is a numeric index of all part numbers included in this manual. The index shows what page(s) the part is used on.

Part Number	Page
320-005H	7
320-008H	7
320-009H	7
320-011D	7
320-014D	7
320-022H	7
320-030D	7
320-031D	7
320-032D	7
320-044D	7
320-045D	7
320-046D	7
320-048D	7
320-049D	7
320-050D	7
320-051D	7
325-017D	7
802-091C	7
804-015C	7
804-016C	7
805-002C	7
805-010C	7
805-032C	7
805-066C	7
805-067C	7
805-123C	7
805-303C	7
807-007C	7
817-246C	7
818-866C	9
838-117C	9
838-167C	9
838-851C	9
990-232R	9
dwg18446	7
dwg18447	9

This Page Intentionally Left Blank



Great Plains Manufacturing, Inc.

Corporate Office: P.O. Box 5060
Salina, Kansas 67402-5060 USA

www.landpride.com
