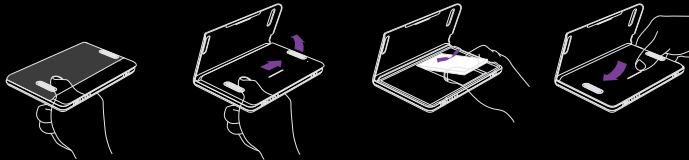


Insert Battery

Your FLO TV™ Personal Television battery is in the box



Open the stand

Remove the back cover by sliding it toward the side buttons

Insert the battery

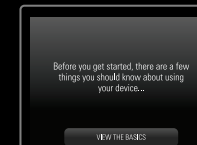
Replace the back cover

Get Started

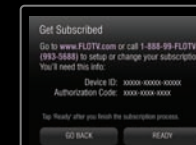
Press and hold the power button for three seconds
The Device will lead you through the following simple steps



View the
Distraction
Warning



View
The Basics
tutorial video



You'll need your
Device ID and
Authorization Code

Get Ready

To subscribe you'll need the following

- Device ID
- Authorization Code
(*found in Settings>Device Info>Subscription Help*)
- Credit/Debit Card
- Valid Email Address

Please review the included FLO TV Incorporated Customer Contract and Privacy Statement. You will also need to be in **FLO TV** coverage to proceed.

Subscribe

- 1 Go to flotv.com, click Activate Service, or call 888-99-FLOTV
- 2 Provide information when prompted
- 3 Start watching

If you don't see TV after 10 minutes, please call 1-888-99-FLOTV (888-993-5688). We occasionally update the FLO TV™ Personal Television software — please check www.flotv.com/ptv350/downloads

In the Box



Personal Television



Headphones



USB 2.0 cable



Cleaning cloth



Battery



AC Adapter



Quick Start Guide



Legal documents

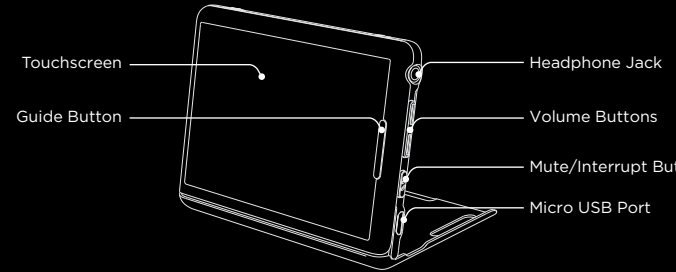
Support

Review the included FLO TV Incorporated Customer Contact and Privacy Statement.
View tutorials on your device by going to the Help section of the Settings Menu.
Visit www.flotv.com/help/ptv or call 1-888-99-FLOTV (888-993-5688)
Software updates can be found at www.flotv.com/ptv350/downloads

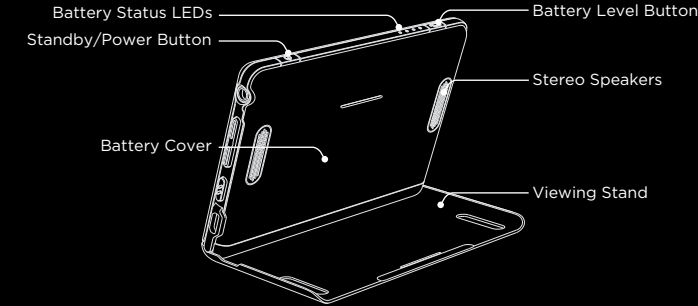
WARNING! Danger of explosion if battery is incorrectly replaced. To reduce risk of fire or burns, do not disassemble, crush, puncture, short external contacts, dispose of in fire or water, or expose to temperature above 60°C or 140° F. Replace only with specified batteries. Recycle or dispose of used batteries according to the local regulations or reference guide supplied with your product.

©2009 FLO TV Incorporated, a Qualcomm company. All rights reserved. FLO and FLO TV are trademarks of Qualcomm Incorporated. All other trademarks are the property of their respective owners. Service not available everywhere.

Personal Television Overview



Front



Back



Quick Start Guide