

DRYER

Repair Parts List

MODEL NUMBER
LDG9804AAM

When requesting service or ordering parts, always provide the following information:

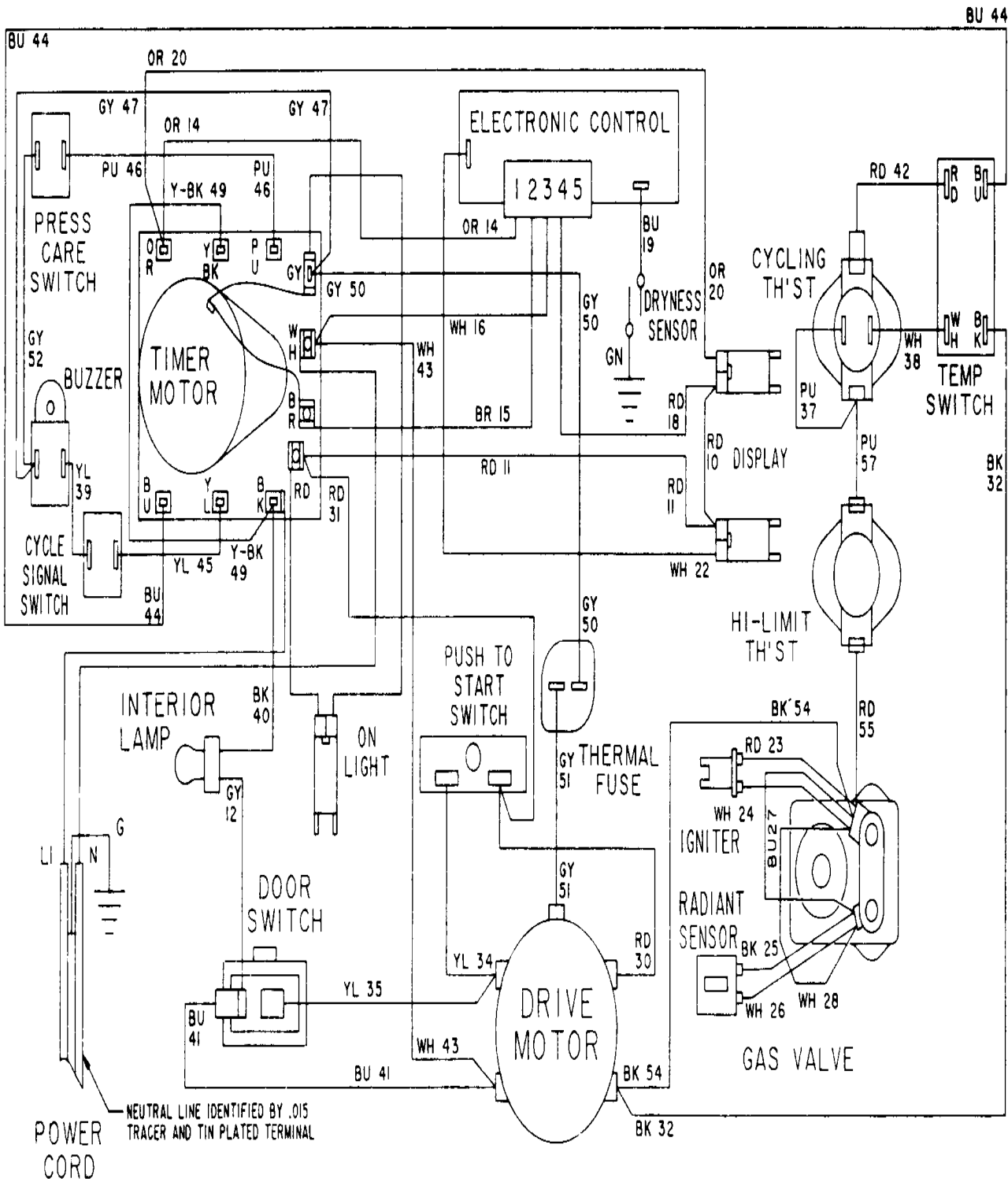
- Product Type
- Part Number
- Model Number
- Part Description

MAYTAG®

©2005 Maytag Services

Section: WIRING INFORMATION-LDG9804AA*

Model: LDG9804AAM



15001067

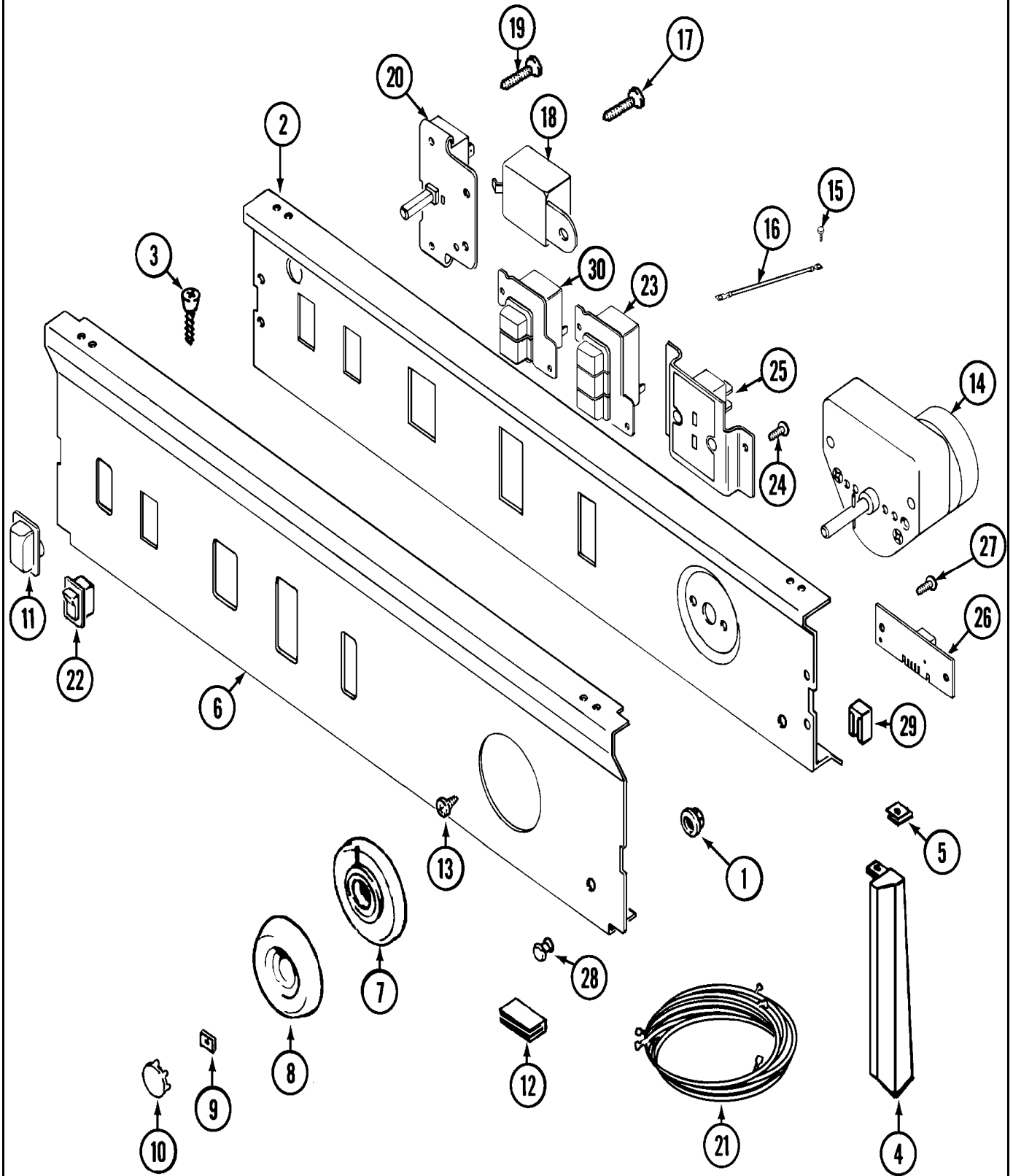
Section: WIRING INFORMATION-LDG9804AA*

No.	Part No.	Description	Series	Qty
1	N 15001560	WIRING INFORMATION	A1	1
1	N 15001067	WIRING INFORMATION	A0	1

*Color Code (-)=Not Shown #=Series, Serial Prefix or Run No., N=Not Available

Section: CONTROL PANEL (LDE9804ACM & LDG9804AAM)

Model: LDG9804AAM



LD11-30

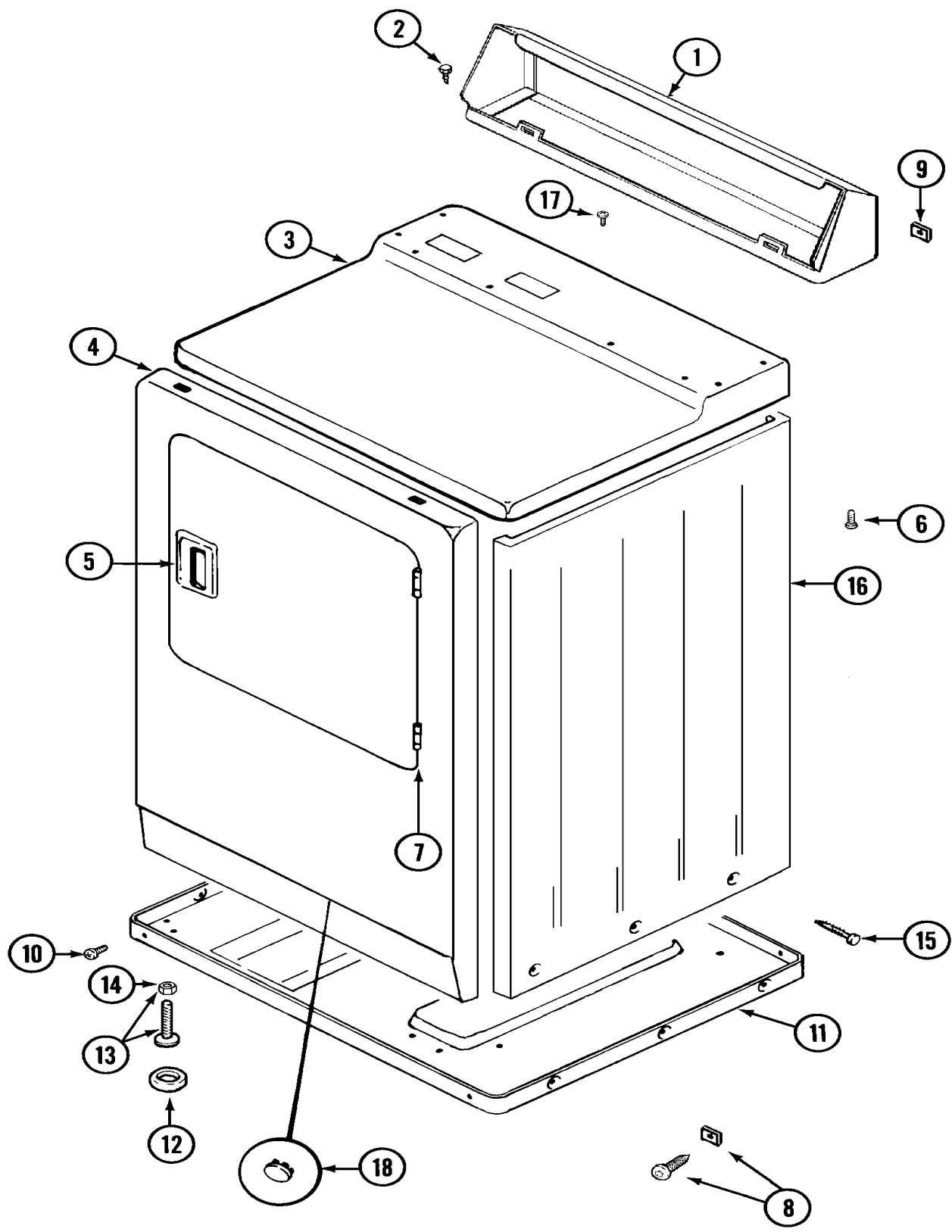
Section: CONTROL PANEL (LDE9804ACM & LDG9804

No.	Part No.	Description	Series	Qty
1	214872	PALNUT, END CAP	A0	4
2	N 33001265	PLATE, SUPPORT	A0	1
3	210932	SCREW, #8 X 9/16 CTSK Note: SCREW, CONTROL PANEL (CHR)	A0	4
4	22001293	END CAP, CTRL. PNL. (RT-ALM) Note: (RT-ALM)	A0	1
4	22001292	END CAP, CTRL. PNL. (LT-ALM) Note: CAP, END (LT-ALM)	A0	1
4	22001567	CAP, END (LT-ALM) Note: (LT-ALM)	13	1
4	22001566	CAP, END (RT-ALM)	13	1
5	214894	FASTENER, END CAP	A0	2
6	N 33001456	PANEL, CONTROL (ALM)	A0	1
7	33001372	SKIRT, TIMER DIAL (ALM)	A0	1
8	33001282	KNOB ASSY. (ALM) Note: KNOB, TIMER (ALM)	A0	1
9	312273	NUT Note: NUT, TIMER KNOB	A0	1
10	N 216424	CAP, KNOB (ALM) Note: CAP, TIMER KNOB (ALM)	A0	1
11	33001450	BUTTON, PUSH-TO-START (ALM) Note: BUTTON, PUSH TO START (ALM)	A0	1
12	N 214897	PAD, CONTROL PANEL	A0	2
13	315317	SCREW, SWITCHES Note: SCREW, TIMER	A0	2
14	33001035	TIMER	A0	1
15	210186	SCREW, GROUND WIRE TO BASE--NA Note: SCREW, GROUND WIRE	A0	2
16	204807	GRND.WIRE,SUPP.PLTE TO TOP CVR Note: WIRE, GROUND	A0	1
17	315317	SCREW, SWITCHES Note: SCREW, BUZZER	A0	1
18	308205	BUZZER	A0	1
19	315317	SCREW, SWITCHES	A0	6
20	33001232	SWITCH, PUSH TO START Note: SWITCH, PUSH	A0	1
21	N 33001347	WIRE HARNESS, MAIN Note: WIRE HARNESS, MAIN	A0	1
21	N 33001542	HARNESS, WIRE Note: WIRE HARNESS, MAIN	16	1
22	22001282	SWITCH, ROCKER (ALM) Note: SWITCH, SIGNAL (ALM)	A0	1
23	33001457	SWITCH, TEMP. (3 POS.-ALM) Note: SWITCH, TEMP. (3 POS.-ALM)	A0	1
24	315317	SCREW, SWITCHES Note: SCREW, DRYNESS DISPLAY ASSY.	A0	2
25	33001045	DISPLAY, DRYNESS ASY. (ALM) Note: DRYNESS DISPLAY ASSY. (ALM)	A0	1
26	33001212	BOARD, CONTROL-MOISTURE SENSOR Note: CONTROL BOARD ASSEMBLY	A0	1
27	315317	SCREW, SWITCHES Note: SCREW, CONTROL BOARD ASSY.	A0	2
28	22001215	LENS, INDICATOR LIGHT	A0	1
29	33001224	LIGHT, INDICATOR	A0	1
30	33001455	SWITCH, PRESS CARE (ALM)	A0	1
-	N 16000327	GUIDE, QUICK REF. - MAYTAG	A0	1
-	33001260	MANUAL, USE & CARE Note: MANUAL, USE & CARE	A0	1

*Color Code (-)=Not Shown #=Series, Serial Prefix or Run No., N=Not Available

Section: CABINET-FRONT (LDE9804ACM & LDG9804AAM)

Model: LDG9804AAM



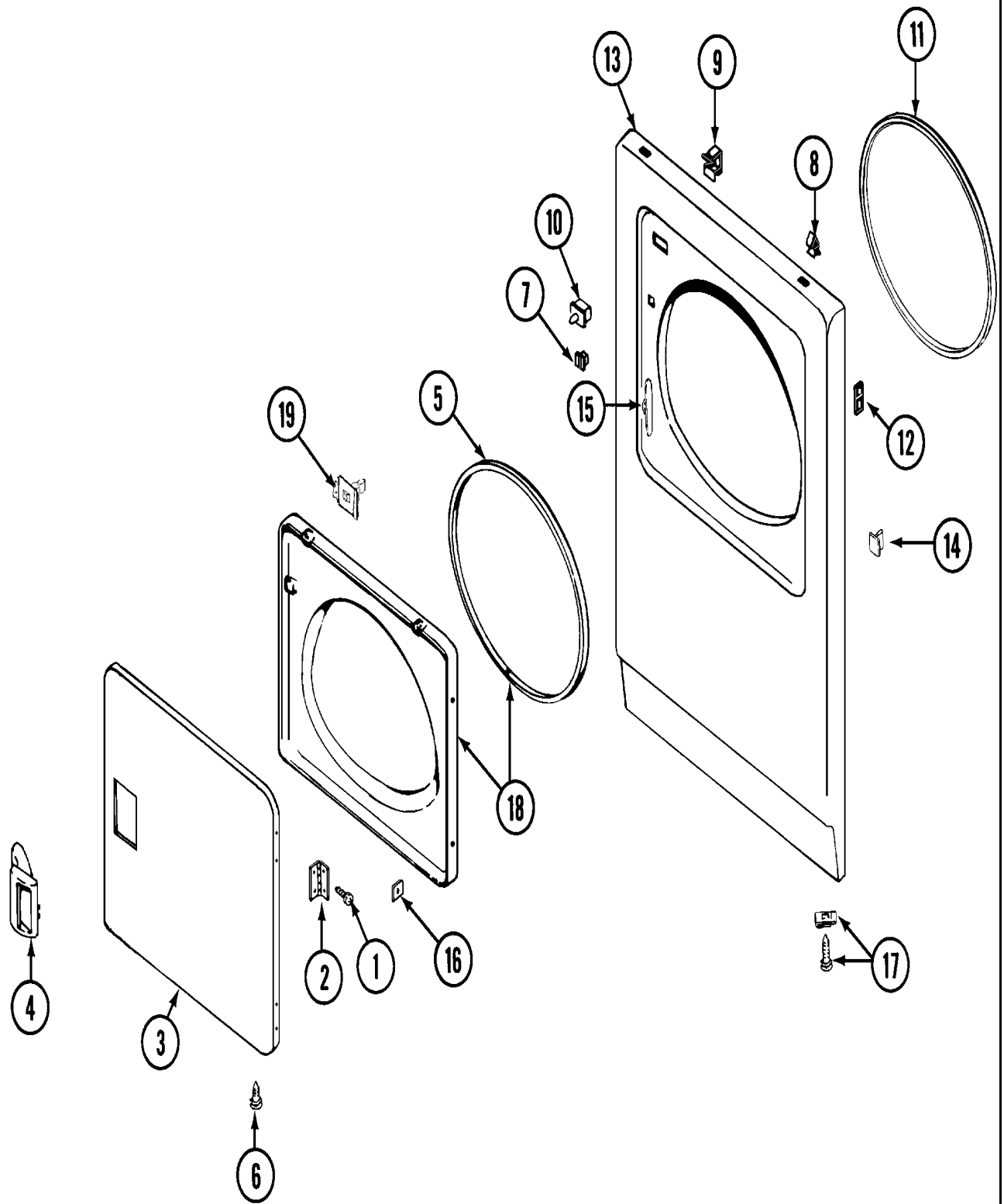
Section: CABINET-FRONT (LDE9804ACM & LDG9804A

No.	Part No.	Description	Series	Qty
1	N 305193L	CONSOLE (ALM) Note: CONSOLE (ALM)	A0	1
2	216423	SCREW Note: SCREW, CONSOLE	A0	6
3	N 33001166	COVER, TOP (ALM)----NA Note: COVER, TOP (ALM)	A0	1
-	33001221	PAD, SOUND DAMPER	A0	1
4	33001258	PANEL, FRONT (ALM) Note: PANEL, FRONT (ALM)	A0	1
5	33001254	HANDLE, DOOR (ALM) Note: HANDLE, DOOR (ALM)	A0	1
6	214354	SCREW Note: SCREW, TOP COVER	A0	2
7	33001230	HINGE, DOOR	A0	2
8	204439	SCREW & FSTNER ASSY(FRT.PANEL) Note: SCREW & FASTENER ASSEMBLY (SET OF 2)	A0	1
9	215075	FASTENER,CNTRL PNL TO CONSOLE Note: FASTENER, CONSOLE	A0	2
10	N 313561	SCREW----NA Note: SCREW, CABINET	A0	2
10	310632	SCREW Note: SCREW, CABINET	A0	3
11	303361	BASE ASSY. Note: BASE ASSEMBLY	A0	1
12	314137	FOOT, RUBBER	A0	4
13	305086	ADJUSTABLE LEG & NUT Note: LEG & NUT	A0	4
14	052740	NUT Note: NUT, LEG	A0	4
15	213007	SCREW, CABINET Note: SCREW, CABINET SIDES TO BASE	A0	6
16	N 33001160	CABINET (ALM) Note: CABINET (ALM)	A0	1
17	210186	SCREW, GROUND WIRE TO BASE--NA Note: SCREW, GROUND CONSOLE	A0	1
18	33001168	PLUG, SIGHT HOLE (ALM) Note: PLUG, SIGHT HOLE (ALM)	A0	1

*Color Code (-)=Not Shown #=Series, Serial Prefix or Run No., N=Not Available

Section: DOOR (LDE9804ACM & LDG9804AAM)

Model: LDG9804AAM



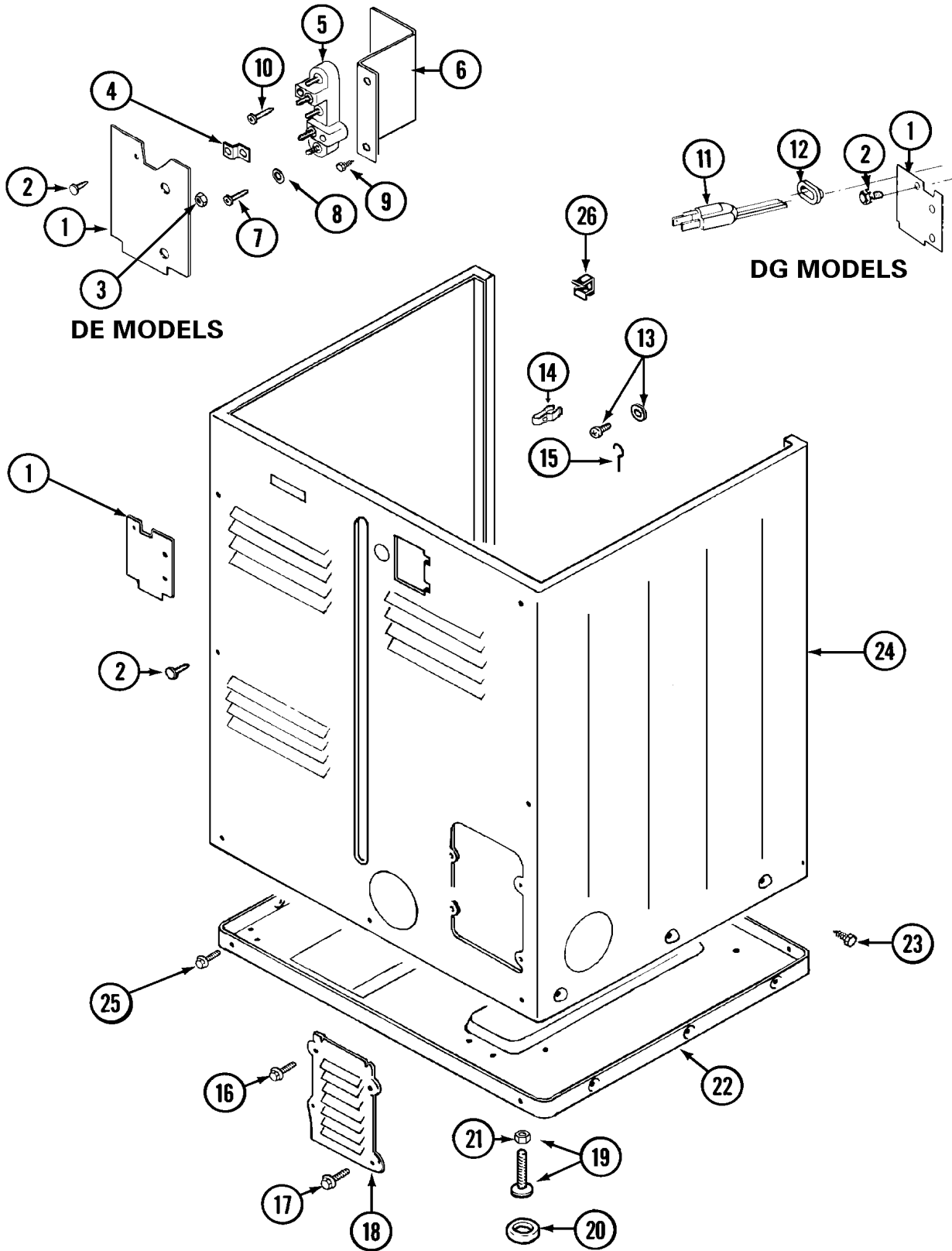
Section: DOOR (LDE9804ACM & LDG9804AAM)

No.	Part No.	Description	Series	Qty
1	314062	SCREW	A0	14
2	33001230	HINGE, DOOR	A0	2
-	33001221	PAD, SOUND DAMPER	A0	1
3	33001257	DOOR (ALM) SUB Note: PANEL, OUTER DOOR (ALM)	A0	1
4	33001254	HANDLE, DOOR (ALM) Note: HANDLE, DOOR (ALM)	A0	1
5	33001131	SEAL, DOOR Note: SEAL, DOOR	A0	1
6	33001168	PLUG, SIGHT HOLE (ALM) Note: PLUG, DOOR (ALM)	A0	2
7	304578	CATCH, DOOR (FEMALE) Note: CATCH, DOOR	A0	2
8	212982	FASTENER, PANEL Note: FASTENER, SPRING	A0	2
9	310376	CLIP, WIRE HARNESS	A0	1
10	33001508	SWITCH, DOOR	16	1
10	305754	SWITCH, DOOR Note: SWITCH, DOOR	A0	1
11	314937	SEAL, FRONT PANEL	A0	1
-	N 33001172	SCREW, PLASTIC	A0	4
12	N 33001173	NUT, SPEED Note: SPEEDNUT, HINGE SCREW	A0	4
13	33001258	PANEL, FRONT (ALM) Note: PANEL, FRONT (ALM)	A0	1
-	33001221	PAD, SOUND DAMPER	A0	1
14	N 33001174	PLUG, DOOR CATCH Note: PLUG, DOOR CATCH	A0	1
15	33001176	COVER, HINGE HOLE (ALM) Note: COVER, HINGE HOLE (ALM)	A0	2
16	313910	CLIP, DOOR LINER TO OUTER PNL Note: FASTENER, INNER DOOR	A0	9
17	204439	SCREW & FSTNER ASSY(FRT.PANEL) Note: SCREW & FASTENER ASSEMBLY (SET OF 2)	A0	1
18	33001243	DOOR, INNER (W/SEAL) Note: DOOR, INNER (W/SEAL)	A0	1
19	33001305	STRIKE, DOOR (W/BACKET)	A0	1

*Color Code (-)=Not Shown #=Series, Serial Prefix or Run No., N=Not Available

Section: CABINET-REAR (LDE9804ACM & LDG9804AAM)

Model: LDG9804AAM



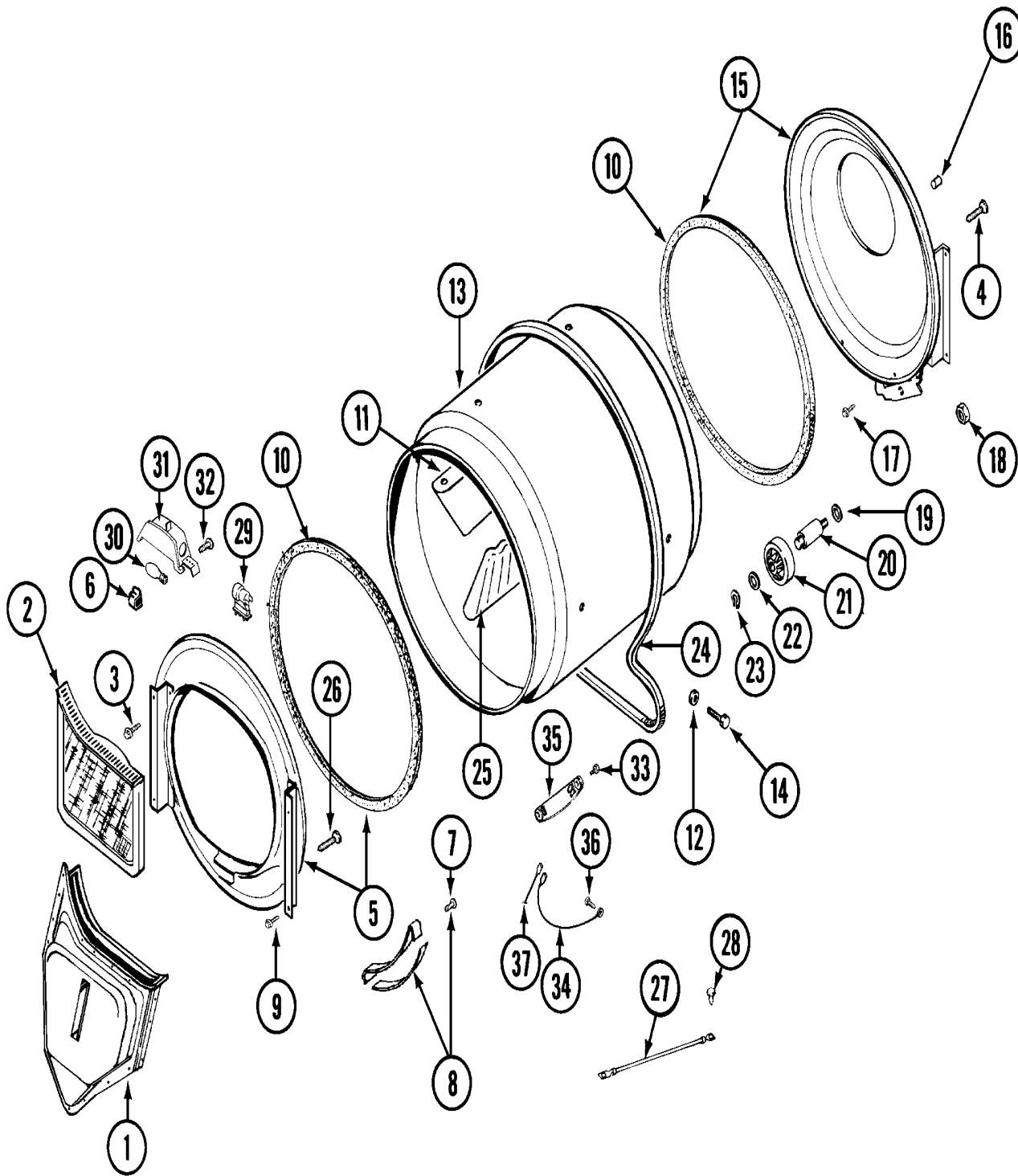
Section: CABINET-REAR (LDE9804ACM & LDG9804A

No.	Part No.	Description	Series	Qty
1	312905	COVER, TERMINAL Note: COVER, TERMINAL	A0	1
2	N 313561	SCREW----NA Note: SCREW, TERMINAL COVER	A0	1
11	33001246	CORD, POWER	A0	1
12	211881	GROMMET, CORD	A0	1
13	303846	SCREW & WASHER ASSY. Note: SCREW & WASHER ASSY.	A0	1
14	301548	CLAMP, GROUND (W/SCREW)	A0	1
15	204807	GRND.WIRE,SUPP.PLTE TO TOP CVR Note: GROUND WIRE	A0	1
16	313559	SCREW Note: SCREW, ACCESS COVER	A0	1
17	211294	SCREW Note: SCREW, ACCESS COVER	A0	3
18	312951	COVER, ACCESS	A0	1
19	305086	ADJUSTABLE LEG & NUT Note: LEG & NUT	A0	4
20	314137	FOOT, RUBBER	A0	4
21	052740	NUT Note: NUT, LEG	A0	4
22	303361	BASE ASSY. Note: BASE ASSY.	A0	1
23	213007	SCREW, CABINET Note: SCREW, CABINET SIDES TO BASE	A0	6
24	N 33001160	CABINET (ALM) Note: CABINET (ALM)	A0	1
25	310632	SCREW Note: SCREW, CABINET	A0	3
25	N 313561	SCREW----NA Note: SCREW, CABINET	A0	2
26	310376	CLIP, WIRE HARNESS	A0	1

*Color Code (-)=Not Shown #=Series, Serial Prefix or Run No., N=Not Available

Section: TUMBLER (LDE9804ACM & LDG9804AAM)

Model: LDG9804AAM



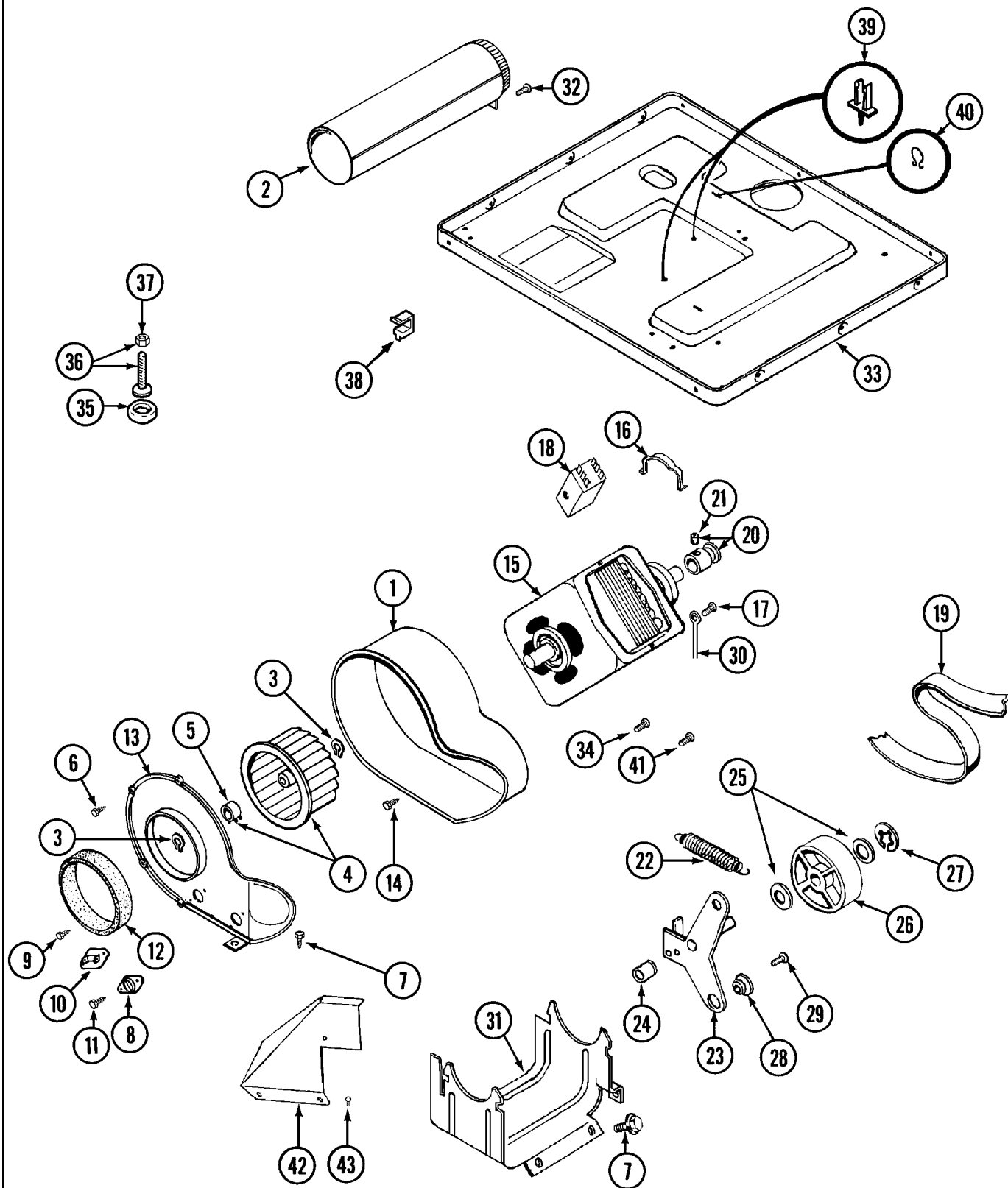
Section: TUMBLER (LDE9804ACM & LDG9804AAM)

No.	Part No.	Description	Series	Qty
1	33001016	DUCT ASSY., OUTLET Note: OUTLET DUCT ASSY.	A0	1
2	33001171	FILTER, LINT	A0	1
3	N 313764	SCREW Note: SCREW, TUMBLER SUPPORT	A0	4
4	N 313561	SCREW----NA Note: SCREW, TUMBLER FRONT & BACK TO CABINET	A0	2
5	33001423	FRONT ASSY., TUMBLER	A0	1
6	310376	CLIP, WIRE HARNESS	A0	1
7	210720	RIVET Note: RIVET, BEARING	A0	4
8	306508	TUMBLER BEARING KIT	A0	2
9	310632	SCREW Note: SCREW, TUMBLER FRONT	A0	3
10	314820	SEAL, TUMBLER	A0	2
11	33001012	BAFFLE (SHORT) Note: BAFFLE, SHORT	A0	1
12	314158	WASHER Note: WASHER, BAFFLE	A0	6
13	33001108	DRYER TUMBLER, W/O BAFFLES	A0	1
14	310759	SCREW Note: SCREW, TUMBLER BAFFLE	A0	6
15	33001178	BACK, TUMBLER (W/SEAL)	A0	1
16	N 313915	COVER, THREAD Note: COVER, THREAD	A0	4
17	310632	SCREW Note: SCREW, TUMBLER BACK	A0	3
18	312538	NUT, ROLLER SHAFT Note: NUT, ROLLER SHAFT	A0	2
19	313347	WASHER, SPRING (ROLLER SHAFT) Note: WASHER, SPRING (ROLLER SHAFT)	A0	2
20	312948	SHAFT, TUMBLER ROLLER Note: SHAFT, TUMBLER ROLLER	A0	2
21	303373	BEARING & ROLLER ASSEMBLY Note: ROLLER (W/BEARING)	A0	2
22	312535	WASHER, ROLLER SHAFT Note: WASHER, ROLLER SHAFT	A0	2
23	410233	RING, RETAINING Note: RING, RETAINING (ROLLER SHFT) (ROLLER SHAFT)	A0	2
24	312959	BELT, TUMBLER & MOTOR Note: BELT, DRUM	A0	1
25	33001004	BAFFLE, TALL	A0	2
26	314110	SCREW, INLET DUCT Note: SCREW, OUTLET DUCT TO TUMBLER FRONT	A0	4
27	901220	WIRE, GROUND Note: WIRE, GROUND	A0	1
28	910343	SCREW, GROUND WIRE Note: SCREW, GROUND WIRE	A0	1
29	307097	HOLDER, LIGHT Note: HOLDER, LIGHT	A0	1
30	307100	LIGHT Note: LIGHT	A0	1
31	314955	ENCLOSURE, LIGHT Note: ENCLOSURE, LIGHT	A0	1
32	214872	PALNUT, END CAP Note: PALNUT, LIGHT ENCLOSURE	A0	1
33	251119	SCREW Note: SCREW, SENSOR ASSY.	A0	2
34	303711	SENSOR GROUND WIRE Note: WIRE, SENSOR GROUND	A0	1
35	303389	SENSOR ASSEMBLY (W/SCREWS) Note: SENSOR ASSY. (W/SCREWS)	A0	1
36	211294	SCREW Note: SCREW, GROUND WIRE	A0	1
37	312658	RECEPTACLE, SENSOR GROUND WIRE Note: RECEPTACLE, SENSOR GROUND WIRE	A0	1

*Color Code (-)=Not Shown #=Series, Serial Prefix or Run No., N=Not Available

Section: MOTOR DRIVE (LDE9804ACM & LDG9804AAM)

Model: LDG9804AAM



LD14-12

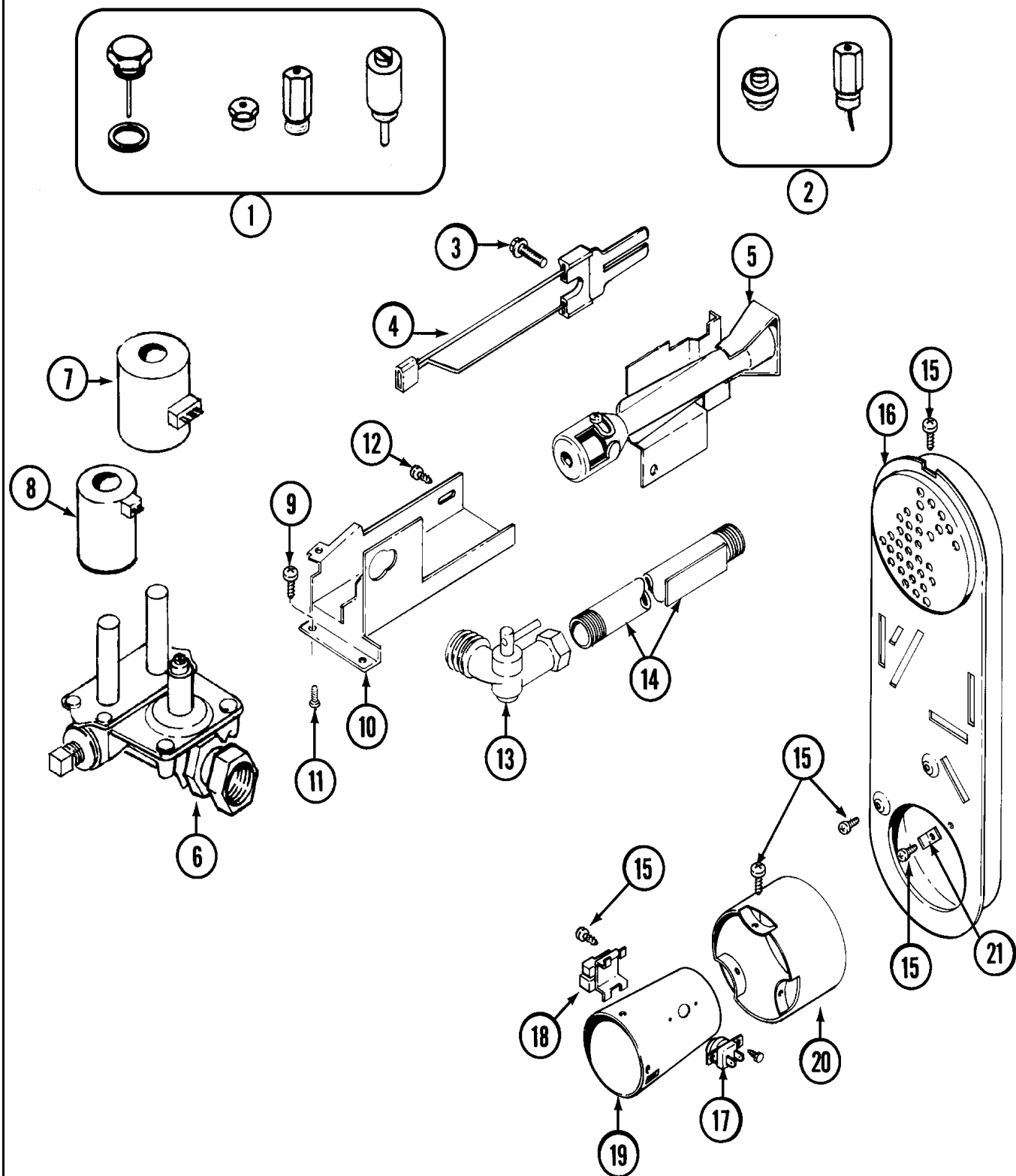
Section: MOTOR DRIVE (LDE9804ACM & LDG9804AA

No.	Part No.	Description	Series	Qty
1	312893	HOUSING, BLOWER	A0	1
2	303442	EXHAUST DUCT ASSY.	A0	1
3	410233	RING, RETAINING	A0	2
4	303836	BLOWER WHEEL ASSEMBLY & CLAMP	A0	1
5	312967	CLAMP, BLOWER HOUSING Note: CLAMP, BLOWER WHEEL	A0	1
6	312961	SCREW Note: SCREW, HOUSING COVER	A0	6
7	N 313561	SCREW----NA Note: SCREW, HOUSING COVER & MOTOR SUPPORT	A0	3
8	306910	THERMOSTAT, MULTI TEMP (GAS) Note: THERMOSTAT, MULTI-TEMP	A0	1
9	211294	SCREW Note: SCREW, THERMOSTAT	A0	2
10	306604	CUT-OFF, THERMAL	A0	1
11	314848	SCREW Note: SCREW, THERMAL CUT-OFF	A0	2
12	312901	SEAL, BLOWER Note: SEAL, HOUSING COVER	A0	1
13	314846	COVER, BLOWER HOUSING	A0	1
14	310632	SCREW Note: SCREW, BLOWER HOUSING	A0	4
15	303358	MOTOR	A0	1
16	015825	CLIP, MOTOR Note: CLIP, MOTOR	A0	2
17	910343	SCREW, GROUND WIRE Note: SCREW, GROUND WIRE	A0	1
18	303879	SWITCH, MOTOR STARTPROD. Note: SWITCH, MOTOR START PROD. #303358, 303358-6	A0	1
18	N 306207	SWITCH, MOTOR START-PROD. Note: SWITCH, MOTOR START PROD. #303358-8, 303358-9	A0	1
18	303877	SWITCH, MOTOR Note: SWITCH, MOTOR START PROD. # 303358-2, 303358-4, 303358-7	A0	1
19	312959	BELT, TUMBLER & MOTOR	A0	1
20	305185	PULLEY, MOTOR (W/SET SCREW)	A0	1
21	053241	SET SCREW, PULLEY	A0	1
22	303945	IDLER SPRING ASSEMBLY Note: IDLER SPRING ASSY.	A0	1
23	303363	IDLER ARM & SHAFT ASSY.	A0	1
24	313582	SPACER, IDLER BRACKET	A0	1
25	312527	WASHER, IDLER SHAFT (QTY-1) Note: WASHER, IDLER SHAFT	A0	2
26	303705	PULLEY, IDLER Note: PULLEY, IDLER (W/BEARING)	A0	1
27	312958	RETAINING RING, IDLER SHAFT	A0	1
28	N 312894	SLEEVE, IDLER ARM Note: SLEEVE, IDLER ARM	A0	1
29	014874	SCREW Note: SCREW, IDLER ARM & SLV. TO MOTOR MT.	A0	1
30	901220	WIRE, GROUND	A0	1
31	N 312897	SUPPORT, MOTOR	A0	1
32	310632	SCREW Note: SCREW, EXHAUST DUCT	A0	1
33	305084	BASE Note: BASE	A0	1
34	211294	SCREW Note: SCREW, GROUND WIRE TO MOTOR SUPPORT	A0	1
35	314137	FOOT, RUBBER	A0	4
36	305086	ADJUSTABLE LEG & NUT Note: LEG & NUT	A0	4
37	052740	NUT Note: NUT, LEG	A0	4
38	310376	CLIP, WIRE HARNESS	A0	1
39	315471	RETAINER, WIRE	A0	1
40	410490	SPRING, WIRE HARNESS	A0	2
41	312961	SCREW Note: SCREW, SPACER	A0	1

*Color Code (-)=Not Shown #=Series, Serial Prefix or Run No., N=Not Available

Section: GAS VALVE

Model: LDG9804AAM



LD16-2

Section: GAS VALVE

No.	Part No.	Description	Series	Qty
1	306195	CONVERSION KIT (NATURAL TO LP) Note: CONVERSION KIT (NAT. TO LP)	A0	1
2	306204	CONVERSION KIT (LP TO NATURAL) Note: CONVERSION KIT (LP TO NAT.)	A0	1
3	304971	SCREW Note: SCREW, IGNITER	A0	1
4	304970	IGNITER ASSY, GAS VALVE	A0	1
5	33001247	BURNER ASSY. Note: BURNER ASSY.	A0	1
6	306176	VALVE, GAS Note: VALVE, GAS	A0	1
7	306106	COIL, HOLDING & BOOSTER	A0	1
8	306105	COIL, SECONDARY	A0	1
9	N 313561	SCREW----NA Note: SCREW, GAS VALVE ASSEMBLY	A0	1
10	314566	BRACKET, GAS VALVE	A0	1
11	313559	SCREW Note: SCREW, GAS VALVE ASSEMBLY	A0	1
12	314568	SCREW-GAS VALVE TO BRACKET Note: SCREW, GAS VALVE	A0	1
12	314082	SCREW Note: SCREW, GAS VALVE	A0	1
13	303349	SHUT-OFF, GAS VALVE Note: SHUT-OFF, GAS VALVE	A0	1
14	303383	PIPE & BRACKET ASSY. Note: PIPE & BRACKET ASSY.	A0	1
15	211294	SCREW	A0	14
16	308504	INLET DUCT ASSY. Note: INLET DUCT ASSY.	A0	1
17	303395	THERMOSTAT, HI-LIMIT (GAS)	A0	1
18	303377	SENSOR, RADIANT	A0	1
19	308548	CONE, COMBUSTION	A0	1
20	303841	CONE, EXTENSION (COMBUSTION)	A0	1
21	312890	RETAINER, HEATER CHAMBER	A0	1

*Color Code (-)=Not Shown #=Series, Serial Prefix or Run No., N=Not Available

