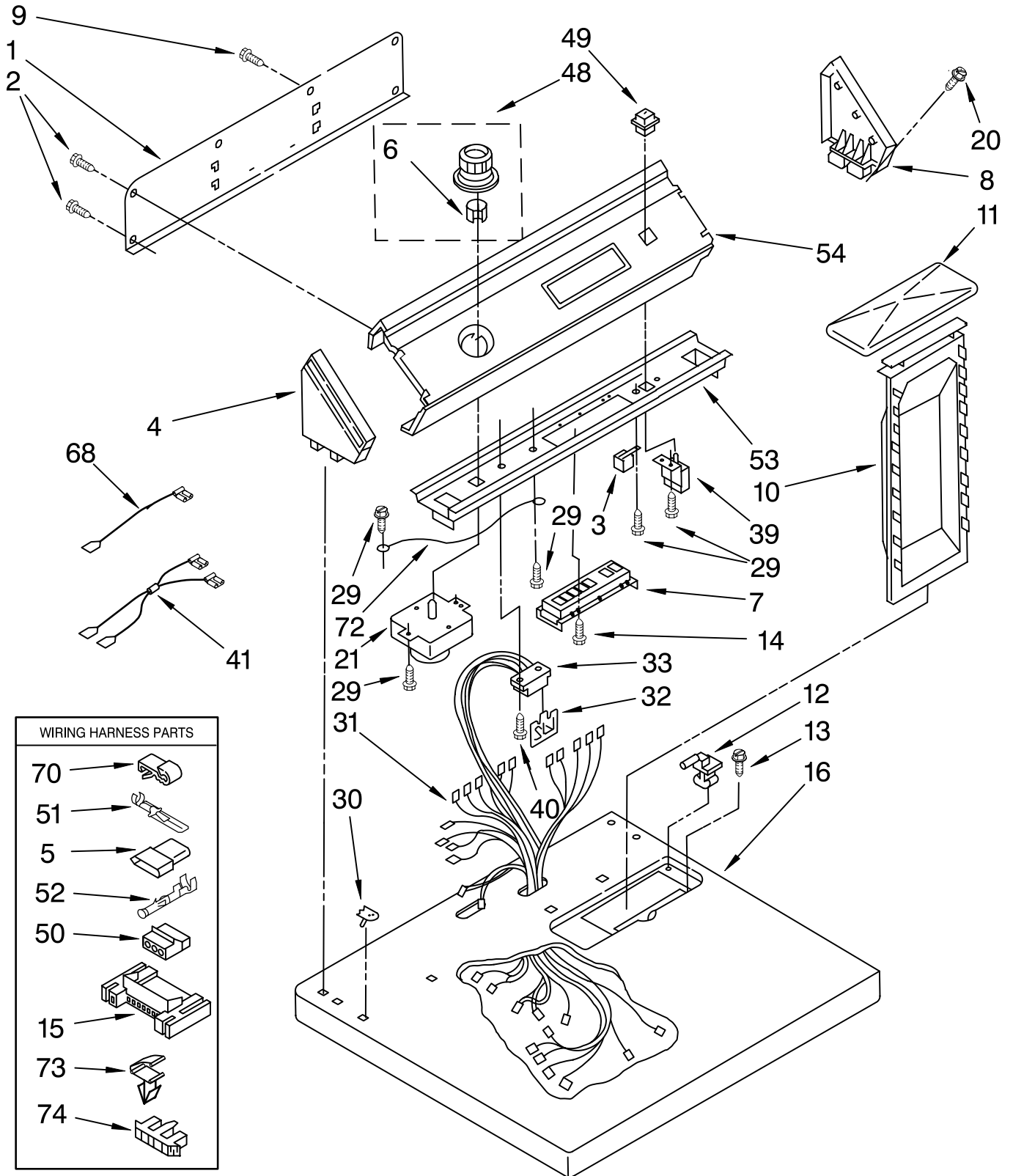




TOP AND CONSOLE PARTS

For Models: LGC6848AQ2, LGC6848AZ2
(Designer White) (Designer Almond)

GAS DRYER



FOR ORDERING INFORMATION REFER TO PARTS PRICE LIST

TOP AND CONSOLE PARTS

For Models: LGC6848AQ2, LGC6848AZ2

(Designer White) (Designer Almond)

Illus. Part No. No. DESCRIPTION	Illus. Part No. No. DESCRIPTION	Illus. Part No. No. DESCRIPTION
1 3397545 Panel, Rear Console	12 339229 Hinge, R.H.	48 Timer Knob Assembly
2 693994 Screw, 10-16 x 1/2	339230 Hinge, L.H.	3396146 White
3 694419 Buzzer, Mini	13 688983 Screw, 8-18 x 5/8	3396149 Almond
4 3358531 White	14 3397537 Screw, 8-18 x 7/8	49 Button, Push To Start
3358532 Almond	15 3395683 Housing, Connector (Motor)	3396176 White
5 353424 Plug, 3-Way Terminal	16 Top	3396177 Almond
6 688805 Clip	3396022 White	50 691707 Receptacle, Terminal
7 3396239 White	3396023 Almond	51 94613 Terminal, Male
3396237 Almond	20 3353145 Screw, Console	52 94614 Terminal, Female
8 3358516 White	21 3397273 Timer Assembly (60 Hz.)	53 3396295 Bracket, Control Panel, Control
3358517 Almond	29 3390646 Screw, 8-18 x 5/16	54 3398509 White
9 693995 Screw, Hex Washer Head	30 357213 Nut, Push-In (2)	3398510 Almond
10 349639 Handle & Lint Screen Assembly	31 3399674 Harness, Wiring Control, Electronic	68 3393811 Violet
11 688150 White	32 3390537 Connector, Edge	3393812 Blue
689310 Almond	33 3391885 Switch, Push-To-Start	70 689180 Clip, Retainer
	39 3395395 Switch, Push-To-Start	72 690853 Wire, Ground
	40 343641 Screw, 10-16 x 1/2	73 3394427 Clip, Harness
	41 3396033 Wire, Jumper (Signal Bypass)	74 3397269 Connector, Timer

LITERATURE AND OPTIONAL PARTS

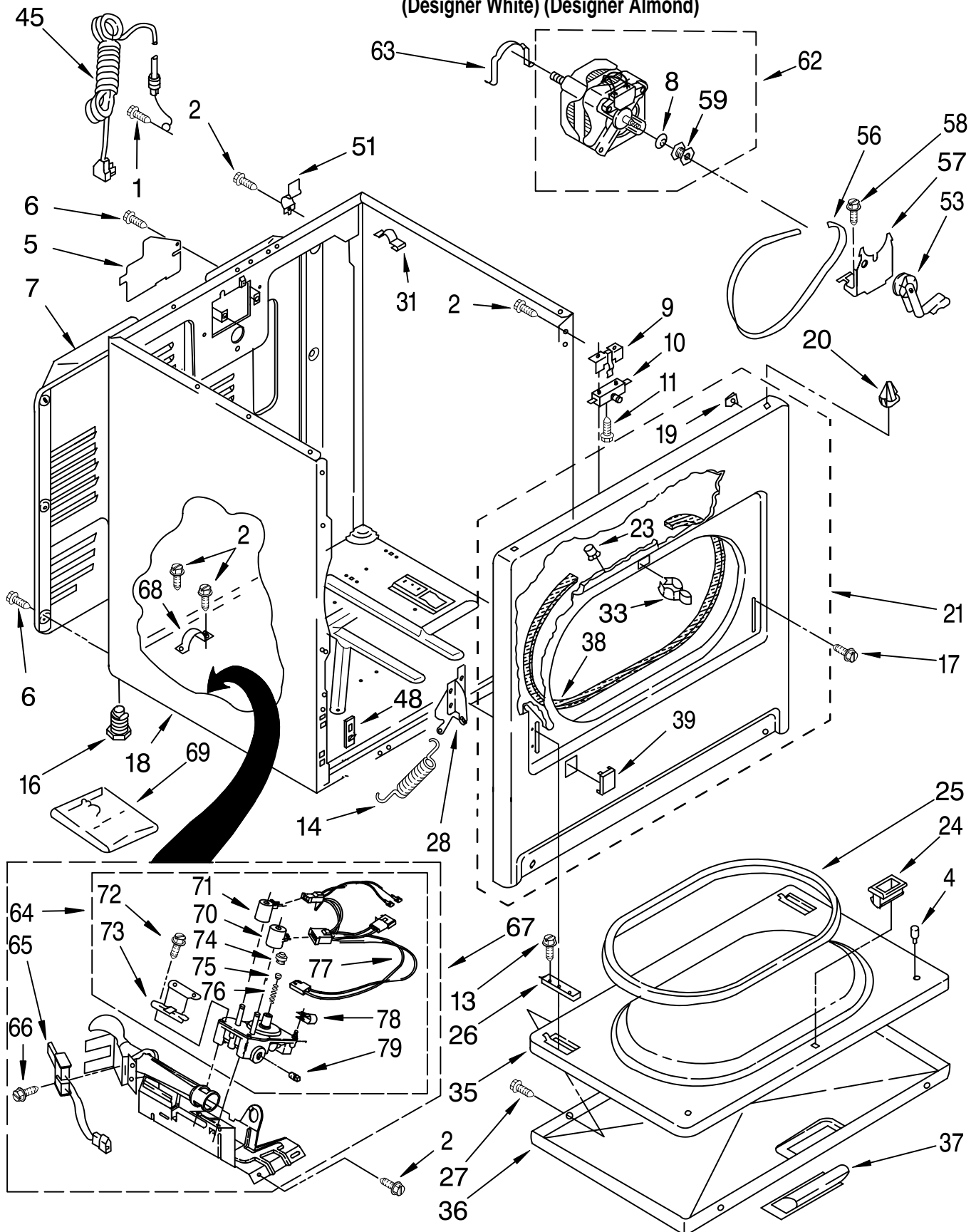
Illus. Part No. No. DESCRIPTION	Illus. Part No. No. DESCRIPTION	Illus. Part No. No. DESCRIPTION
LITERATURE PARTS		
LIT3395332 Instructions, Installation	OPTIONAL PARTS NOT INCLUDED	
LIT3396303 Use & Care Guide	PAINT, TOUCH-UP (1/2oz.)	
LIT3399692 Label, Wiring Diagram	72017 White	799344 White (Uncut)
	72107 Almond	978883 Almond (Uncut)
Following May Be Purchased	PAINT, PRESSURIZED SPRAY (13 oz.)	
DO-IT-YOURSELF REPAIR MANUALS	350930 White	
LIT677818 Dryer	350956 Almond	
	350938 Primer, Gray	

FOR ORDERING INFORMATION REFER TO PARTS PRICE LIST

CABINET PARTS

For Models: LGC6848AQ2, LGC6848AZ2

(Designer White) (Designer Almond)



FOR ORDERING INFORMATION REFER TO PARTS PRICE LIST

CABINET PARTS

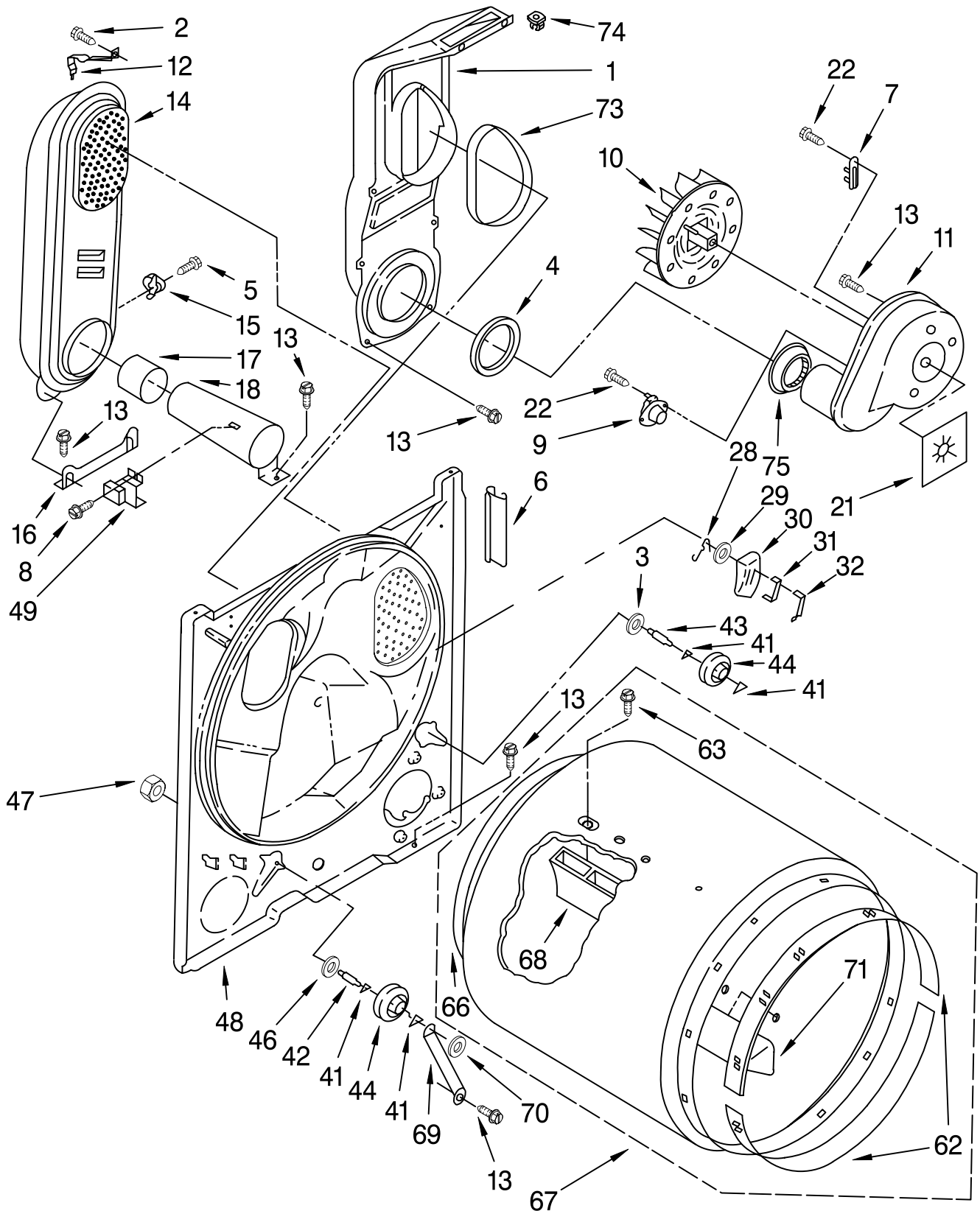
For Models: LGC6848AQ2, LGC6848AZ2
(Designer White) (Designer Almond)

Illus. No.	Part No.	DESCRIPTION	Illus. No.	Part No.	DESCRIPTION	Illus. No.	Part No.	DESCRIPTION
1	697776	Screw, 10-32 x 1/2 (External Ground)	26	337189	Clip, Hinge (2)	66	3393909	Lock Screw & Washer (8-32 x 5/8)
2	343641	Screw, 10-16 x 1/2	27	694091	Screw			
4	238614	Bumper	28	692498	Hinge, R.H.	67	694670	Burner Assembly, 60 Hz. (See Pages 7 & 8 For Further Burner Breakdown)
5	3396795	Cover, Block		692501	Hinge, L.H.			
6	693994	Screw, Hex Washer Head	31	98997	Clip, Harness			
7	3396805	Panel, Rear	33	696144	Strike, Panel			
8	3393657	Restrainer, Belt	35	695737	Door, Rear			
9	691581	Lever, Door Switch	36		Door, Front	68	341029	Clamp, Pipe
10	347207	Switch, Door		3393549	White	69	694572	Kit, Conversion Type 1, 2 & 3 To Type 4 (LPG)
11	98129	Screw, 6-20 x 1-3/8	37		Almond			
13	3357011	Screw, 10-16 x 1/2		690270	White			
14	692495	Spring, Door (2)		690271	Almond		279243	Kit, Conversion Type 1 To Type 3 (MFD)
16	3392100	Foot, Dryer	38	692493	Seal & Bearing Assembly			
	279810	Foot-Optional (Extended Length Package of 2) (Not Included)	39		Plug, Front Panel	70	694539	Coil, 60 HZ. Split (3 Terminal) (Pilot Position)
				3394975	White			
				3394976	Almond			
17	342043	Screw	45	344020	Cord, Power	71	694540	Coil, 60 HZ. (2 Terminal) (Main)
18		Cabinet (Includes Illus. Nos. 5,7,16,48, & 57)	48	3394083	Clip, Front Panel			
	3399585	White	51	238088	Hinge, Top (2)	72	694421	Screw, Bracket Mounting (8-32 X 1/2) 2
	3399586	Almond	53	691366	Idler & Pulley Assembly			
19	98234	Clip, Ground (2)	56	660996	Belt, Drive	73	694538	Bracket, Coil
20	690363	Lock, Front Top (2)	57	348780	Base, Motor	74	694424	Leak Limiter
21		Panel Front	58	172455	Bolt, 5/16-18 x 3/4	75	694423	Screw, Regulator Adjustment
	3395197	White	59	3389627	Pulley, 60 Hz.	76	694422	Spring, Regulator
	3395198	Almond	62	3395652	Motor Assembly 60 Hz.	77	694426	Harness, Wiring (Complete)
23	685203	Clip, Felt Pad (2)	63	660658	Clamp, Motor (2) 343481 (Alt.) 685441 (Alt.)	78	694510	Clip, Harness
24	690081	Catch, Door Assembly	64	694054	Valve, Gas 60 Hz. (Complete)	79	239822	Plug, Pipe
25	3390731	Seal, Door	65	660991	Ignitor (686590) (Alt.)			

FOR ORDERING INFORMATION REFER TO PARTS PRICE LIST

BULKHEAD PARTS

For Models: LGC6848AQ2, LGC6848AZ2
(Designer White) (Designer Almond)



FOR ORDERING INFORMATION REFER TO PARTS PRICE LIST

BULKHEAD PARTS

For Models: LGC6848AQ2, LGC6848AZ2
(Designer White) (Designer Almond)

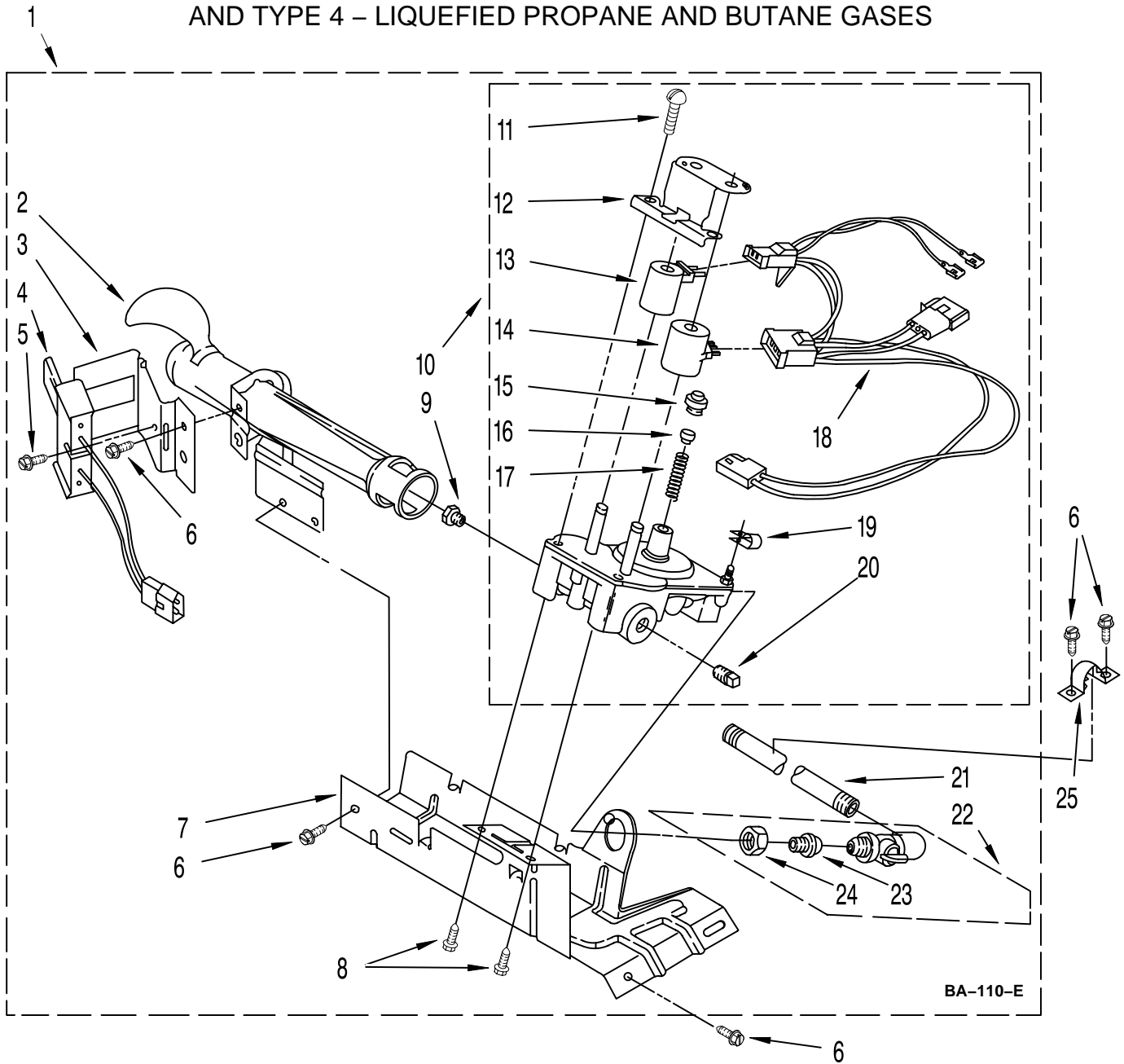
Illus. No.	Part No.	DESCRIPTION
1	348368	Lint Chute Assembly
2	3400800	Screw, 8-18 x 3/4
3	3388703	Washer-Support
4	347139	Seal, Lint Chute
5	90767	Screw, 8 x 3/8
6	686889	Pad, Cabinet
7	3392519	Fuse, Thermal
8	339554	Screw
9	3387134	Thermostat, Internal-Bias
10	694089	Wheel, Blower (Includes Illus. No. 21)
11	695081	Housing, Blower
12	3398161	Clip
13	343641	Screw, 10-16 x 1/2
14	685458	Box, Heater
15	660036	Thermostat, 205°F (96°C)
16	348484	341196 (Alt.) Support, Heater Box
17	348516	Collar, Funnel
18	347389	Funnel, Burner
21	3392123	Seal, Blower
22	695239	Screw, 8-18 x 3/8
28	342267	Clip, Sensor
29	298877	Washer, Insulated
30	348861	Pad, Sensor
31	348859	Electrode, Inside
32	348860	Electrode, Outside
41	690997	Ring, Tri
42	3399506	Shaft, L.H.
43	3399507	Shaft, R.H.
44	3397588	Roller, Support
46	348197	Washer, Support
47	3359452	Nut, 3/8-16
48	3396793	Bulkhead
49	338906	Sensor, Radiant
62	692526	Ring, Bearing
63	97787	Screw, 11-16 x 7/8
66	347885	Seal, Rear Drum
67	695587	Drum Assembly
68	692490	Baffle, Drum (2)
69	348944	Bracket, Support
70	90296	Clip
71	692491	Baffle, Drum (1)
73	339956	Seal
74	98460	Nut, Push-In (2)
75	696302	Shield, Exhaust

FOR ORDERING INFORMATION REFER TO PARTS PRICE LIST

694670 BURNER ASSEMBLY

For Models: LGC6848AQ2, LGC6848AZ2
(Designer White) (Designer Almond)

USE WITH TYPE 1 – NATURAL, TYPE 2 – MIXED, TYPE 3 – MANUFACTURED
AND TYPE 4 – LIQUEFIED PROPANE AND BUTANE GASES



FOR ORDERING INFORMATION REFER TO PARTS PRICE LIST

694670 BURNER ASSEMBLY

For Models: LGC6848AQ2, LGC6848AZ2

(Designer White) (Designer Almond)

USE WITH TYPE 1 – NATURAL, TYPE 2 – MIXED, TYPE 3 – MANUFACTURED
AND TYPE 4 – LIQUEFIED PROPANE AND BUTANE GASES

<u>Illus. No.</u>	<u>Part No.</u>	<u>DESCRIPTION</u>
1	694670	Burner Assembly 60 Hz. (Type 1, 2 & 3) (White Rodgers)
2	688617	Tube, Burner
3	694298	Bracket, Ignitor
4	660991	Ignitor 686590 (Alt.)
5	686953	Screw & Washer (8-32 x 5/8)
6	343641	Screw, 10-16 x 1/2
7	693986	Base, Burner
8	339527	Screw, 8-32 x 3/8 (2)
9		Orifice, Burner
	234826	Type 1
	15775	Type 2
	15419	Type 3
	229742	Type 4 (Butane)
	234868	Type 4 (Propane)
10	694054	Valve, 60 Hz.
11	694421	Screw, 8-32 x 1/2 (2)
12	694538	Bracket, Coil
13	694540	Coil, 60 Hz. (2 Terminal) (Main)
14	694539	Coil, 60 Hz. (Split) (3 Terminal) (Pilot Position)
15	694424	Leak Limiter
16	694423	Screw, Regulator Adjustment
17	694422	Spring, Regulator
18	694426	Harness, Wiring (Complete)
19	694510	Clip, Harness
20	239822	Plug, Pipe
21	233273	Pipe, Gas Supply
22	345062	Valve & Union, Shut-Off
23	3393767	Pipe, Tail
24	233076	Nut, Compression
25	341029	Clamp, Pipe

Following Parts Not Illustrated

694572 Conversion Kit
(Type 1, 2 & 3)
to Type (4) L.P.G.

BA-110-E