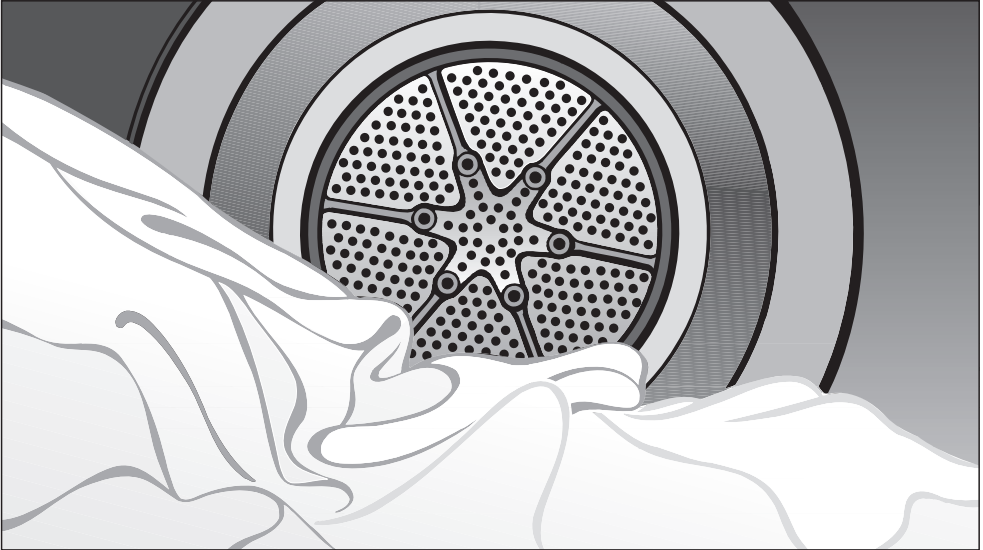


# Miele

HONEYCOMB CARE



## Operating instructions for condenser tumble dryer T 4262 C

To avoid the risk of accidents or damage to the machine it is **essential** to read these instructions before it is installed and used for the first time.



M.-Nr. 06 465 730

# Caring for the environment

---

## Disposal of the packing material

The transport and protective packing has been selected from materials which are environmentally friendly for disposal and can normally be recycled.

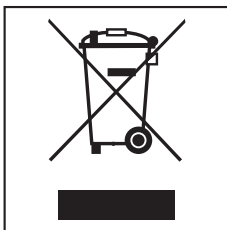
Ensure that any plastic wrappings, bags etc. are disposed of safely and kept out of the reach of babies and young children. Danger of suffocation!

Rather than just throwing these materials away, please ensure they are offered for recycling.

## Disposal of your old appliance

Electrical and electronic appliances often contain materials which, if handled or disposed of incorrectly, could be potentially hazardous to human health and to the environment. They are, however, essential for the correct functioning of your appliance. Please do not therefore dispose of your appliance with your household waste.

Please dispose of it at your local community waste collection / recycling centre and ensure that it presents no danger to children while being stored for disposal.



It should be unplugged or disconnected from the mains electricity supply by a competent person. The plug must be rendered useless and the cable cut off directly behind it to prevent misuse. See the "Warning and Safety" section of this booklet for further details.

## Energy saving tips

To avoid unnecessarily long drying times and high consumption of energy:

- Make sure that your laundry is thoroughly spun before drying.

The higher the spin, the greater the savings that can be made in energy and time during drying.

- Load according to the optimum amount of laundry recommended for the programme being used (see Programme chart).

Underloading is uneconomical. Overloading gives a poorer quality of drying and may cause unnecessary creasing.

- Make sure the room in which the dryer is located is well ventilated.
- Make sure the fluff filters are clean before using the dryer.
- Check the condenser unit from time to time and clean it when necessary.

<b>Caring for the environment</b> . . . . .	2
Disposal of the packing material . . . . .	2
Disposal of your old appliance . . . . .	2
Energy saving tips . . . . .	2
<b>Warning and Safety instructions</b> . . . . .	5
<b>Control panel</b> . . . . .	9
<b>Notes on laundry care</b> . . . . .	10
Care symbols . . . . .	10
Tips on drying . . . . .	10
<b>How to dry correctly</b> . . . . .	11
Brief instructions . . . . .	11
Low temperature . . . . .	12
Changing the programme sequence . . . . .	13
<b>Programme chart</b> . . . . .	14
<b>Cleaning and care</b> . . . . .	16
Emptying the condensed water container . . . . .	16
Cleaning the fluff filters . . . . .	17
Cleaning them whilst dry . . . . .	17
Cleaning them with water . . . . .	18
Cleaning the tumble dryer . . . . .	18
Cleaning the condenser unit . . . . .	19
Removing the condenser unit . . . . .	19
Checking the condenser unit . . . . .	20
Cleaning the condenser unit . . . . .	20
Replacing the condenser unit . . . . .	21
<b>Problem solving guide</b> . . . . .	22
General problems . . . . .	22
Check and fault indicator lamps . . . . .	25
Changing the lamp . . . . .	27

# Contents

---

<b>After sales service</b> . . . . .	28
Repairs. . . . .	28
Appliance guarantee . . . . .	28
Optional accessories . . . . .	28
<b>Installation</b> . . . . .	29
Front view. . . . .	29
Installation site . . . . .	30
Transporting the machine to its installation site . . . . .	30
Building under a continuous worktop / in a row of kitchen units . . . . .	30
Replacing the lid. . . . .	30
Levelling the machine. . . . .	31
Room in which the dryer is located . . . . .	31
Washer - dryer stack. . . . .	31
Before moving the machine again (e.g. when moving house) . . . . .	31
External condensed water outlet . . . . .	32
Setting up the drain hose . . . . .	32
Connection to a sink drain outlet . . . . .	33
If you no longer wish to use an external condensed water outlet . . . . .	33
<b>Electrical connection</b> . . . . .	34
Electrical connection U.K. . . . .	34
<b>Consumption data</b> . . . . .	35
<b>Technical data</b> . . . . .	36
<b>Programmable functions</b> . . . . .	38
Altering the residual moisture level in the Cottons programmes . . . . .	38
Altering the residual moisture level in the Minimum iron programmes . . . . .	39
Activating and deactivating the buzzer. . . . .	40
Extending the cooling down time . . . . .	41
Changing the standard drying level in the Minimum iron - Normal programme . . . . .	42
Changing the standard drying level in the Automatic programme . . . . .	43

# Warning and Safety instructions

---

To avoid the risk of accidents and damage to the machine please read these instructions carefully before using it for the first time. They contain important information on its safety, installation, use and maintenance.

Keep these instructions in a safe place and ensure that new users are familiar with the content. Pass them on to any future owner of the machine.

## Correct use

■ The tumble dryer is only intended for drying fabrics which have been washed in a water solution, marked on the manufacturer's care label as being suitable for tumble drying.

"Dry cleaning kits" for freshening up garments in a tumble dryer are increasingly available on the market. If using, do so at your own risk, and follow the instructions provided on the packaging.

Any other applications may be dangerous. The manufacturer is not liable for damage resulting from improper use or operation.

## Technical safety

■ Before setting up the machine, check it for any externally visible damage.

Do not install or use a damaged machine.

■ Before connecting the machine, ensure that the connection data on the data plate (voltage and connected load) match the mains electricity supply. If in any doubt, consult a qualified electrician.

■ The electrical safety of this machine can only be guaranteed when continuity is complete between it and an effective earthing system which complies with local and national regulations. It is most important that this basic safety requirement is present and regularly tested, and where there is any doubt the household wiring system should be inspected by a qualified electrician. The manufacturer cannot be held liable for the consequences of an inadequate earthing system (e.g. electric shock).

■ Do not connect the appliance to the mains electricity supply by an extension lead. Extension leads do not guarantee the required safety of the appliance (e.g. danger of overheating).

# Warning and Safety instructions

---

■ The machine is built in accordance with current safety requirements.

Unauthorised repairs could result in unforeseen dangers for the user, for which the manufacturer cannot accept liability. Repairs should only be undertaken by a Miele approved technician.

Ensure current is not supplied to the machine until after maintenance or repair work has been carried out.

■ Faulty components must only be replaced by genuine Miele original spare parts. Only when these parts are fitted can the safety standards of the machine be guaranteed.

■ If the connection cable is faulty it must only be replaced by a Miele approved service technician to protect the user from danger.

■ In countries where there are areas which may be subject to infestation by cockroaches or other vermin, pay particular attention to keeping the machine and its surroundings in a clean condition at all times. Any damage which may be caused by cockroaches or other vermin will not be covered by the machine guarantee.

# Warning and Safety instructions

---

■ In the event of a fault or for cleaning purposes, the machine is only completely isolated from the electricity supply when:

- it is switched off at the wall socket and the plug is withdrawn, or
- it is switched off at the mains, or
- the mains fuse is withdrawn.

## Operation

■ This equipment may only be used in mobile installations such as ships, caravans, aircraft etc. if a risk assessment of the installation has been carried out by a suitably qualified engineer.

■ The dryer must not be used without the fluff filters in place or if the fluff filters are damaged in any way.

■ The fluff filters must be thoroughly dried after cleaning. If they are still damp or wet when replaced there is a risk of faults occurring when the machine is used.

■ The dryer must not be used without the condenser unit in place.

■ Do not install the machine in a room where there is a risk of frost occurring. At temperatures around freezing point the machine may not be able to operate properly. There is a risk of damage if the condensed water is allowed to freeze in the pump, hoses and / or condensed water container. The ambient room temperature should be between +2°C and +35°C.

■ If the water is drained externally through the drain hose instead of being collected in the condensed water container, make sure the drain hose is securely attached if you hang it in a sink or basin to avoid the hose slipping and the water causing damage.

■ Condensed water is not drinking water. It can cause health problems in both people and animals.

■ Always keep the area around the machine free of dust and fluff. Dust drawn into the machine can, over time, cause blockages in the condenser unit.

# Warning and Safety instructions

---

## ■ To prevent the risk of fire the following textiles must not be dried in this machine:

- fabrics which contain a large proportion of rubber, foam rubber or rubber like materials.
- items which contain padding or fillings (e.g. pillows, jackets).
- items which have been treated with inflammable cleaning agents.
- items which have been splashed with hair lacquer, hair spray, nail varnish remover or similar substances.
- items which have been soiled with oils or residues containing grease (kitchen oils, cosmetics etc.).
- items soiled with wax or other chemicals (e.g. mops and floor cloths).
- items which have not been thoroughly cleaned and which are still soiled with grease or oil, e.g. workwear. Such clothing may require a heavy duty detergent to get them clean. If necessary consult the detergent manufacturer for advice.

■ Do not let anyone sit or lean on the door, as this can cause the machine to tip up.

■ Always close the door after use. This way you will avoid the danger of:

- **children** climbing onto or into the dryer or hiding things in it.
- **pets** or other small animals climbing into it.

## Safety with children

■ This machine is not a toy. To avoid the risk of injury keep children away from the machine at all times and supervise them whilst you are using it. Do not allow children to play on or near it or to play with its controls. Supervise its use by the elderly or infirm.

## Using accessories

■ Accessory parts may only be fitted when expressly approved by Miele.

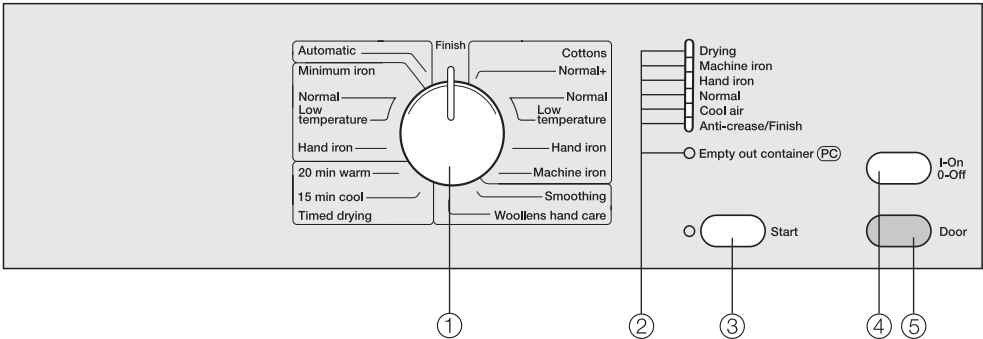
If non-Miele parts are used with this machine, guarantee, performance and product liability claims may be invalidated.

## Disposal of your old machine

■ Before discarding an old machine, switch it off at the wall socket and unplug it. Render the plug useless and cut off the cable directly behind the machine. This should be done by a competent person.

■ The manufacturer cannot be held liable for damage caused by non-compliance with these Warning and Safety instructions.





## ① Programme selector

The programme selector can be turned clockwise or anti-clockwise.

## ② Programme sequence and check lamps

### ③ Start button

Press the *Start* button to start a programme.  
The *Start* indicator lamp will flash as soon as a programme can be started. It lights up constantly once the programme has started.

### ④ I-On/0-Off button

To switch the machine on or off / to interrupt a programme.

The Anti-crease/Finish lamp will light up as confirmation that the machine has been switched on.

### ⑤ Door Button

To open the door / to cancel a programme.

Pressing this button will open the door even when the machine is switched off at the mains.

If the machine is switched on at the mains and the door is opened the drum lighting will come on. It will go out a few minutes later to save energy.

### PC indicator light

The indicator light marked PC is used by Miele Service technicians as an optical interface.

# Notes on laundry care

---

## Care symbols

Before drying check the drying symbol on the care label. If there are no symbols, dry at your own risk!

- ☉ . . . . . Dry at normal temperature
- ☺ . . . . . Dry at a low temperature
- ☒ . . . . . Do not tumble dry

– For delicates and fabrics with the following care label ☺ select *Low temperature*.

## Tips on drying

– Always observe the maximum recommended loads given in the "Programme chart". Never overload the drum.

Overloading can cause unnecessary wear and tear to the laundry, give a disappointing drying result and cause more creasing.

- Do not put soaking wet items into the tumble dryer. Spin them thoroughly after washing using the appropriate spin speed.
- Use the *Automatic* programme for drying mixed loads of cottons and minimum iron fabrics.
- Open jackets so that they can dry evenly.
- Woollens and wool blends tend to become matted and shrink if dried in a tumble dryer. They can, however, be partially dried using the *Woollens hand care* programme.

- Down-filled garments have linings which have a tendency to shrink, depending on the quality of the item. They can be partially dried using the *Smoothing* programme.
- Pure linen should only be machine dried if specified as suitable by the manufacturer on the care label, as the surface of the fabric may otherwise become rough. They can be partially dried using the *Smoothing* programme.
- Loopknit garments (e.g. T-shirts and underwear) tend to shrink depending on their quality. Do not over-dry these textiles. When purchasing these garments it is advisable to take their shrinkage properties into account.
- Minimum iron fabrics and 100% cotton shirts or blouses tend to crease more, the greater the load. This is especially true of very fine weaves. Reduce the load or use the *Minimum iron - Hand iron* programme.
- Starched laundry can be dried in the tumble dryer. To achieve the usual finish, double the amount of starch should be used.
- New dark coloured garments should be washed and dried separately from light coloured garments to avoid the danger of colours running and discolouring other garments or even plastic components in the machine. Dark coloured fibres can also settle on light coloured garments and vice versa.


## Brief instructions

The headings numbered (1, 2, 3 ...) show the operating sequence and can be used as a brief guide to using your machine.

### 1 Sort the laundry

To ensure an even drying result separate out the washed laundry and sort it according to: . .

- . . . the drying level required
- . . . the type of fibre or weave
- . . size
- . . the moisture content after spinning.

 Make sure that objects e.g. detergent dispensing balls have been removed from the laundry. They could melt, and cause damage to the dryer or the laundry.

- Check seams and stitching to ensure that padding and linings are intact.
- Fasten duvet covers and pillow cases to prevent small items from being trapped inside them.
- Fasten hooks and eyes etc.
- Tie fabric belts and apron strings.
- Sew in or remove underwiring from bras.

### 2 Turn on the tumble dryer

- Switch the dryer on by pressing the *I-On/0-Off* button in.

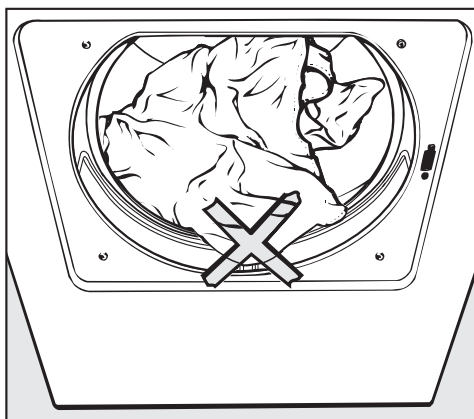
The tumble dryer may be switched on after loading, saving energy as the light will not come on.

### 3 Load the tumble dryer

- Press the *Door* button to open the door.
- Load the laundry loosely into the drum.

Do not overload the drum. See the "Programme chart" for recommended loads for each programme. Overloading can cause unnecessary wear and tear to the laundry and give a disappointing drying result.

- Before closing the door make sure the fluff filter is correctly positioned.

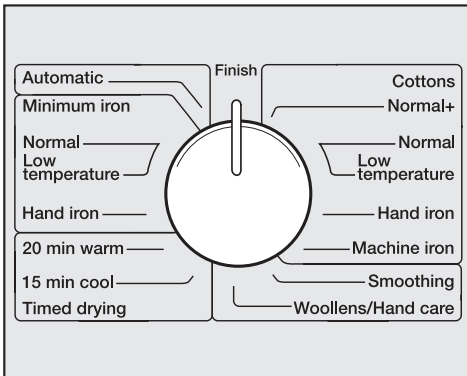


Check the laundry is right inside the drum so that it cannot get trapped or damaged when the door is shut.

- Shut the door either with a gentle swing, or lean against it and push it shut.


# How to dry correctly

## 4 Select a programme



- Turn the programme selector to the required programme.

### Low temperature

- For drying particularly sensitive fabrics (care symbol ) e.g. acrylics turn the programme selector to the *Low temperature* position.

Because the heater rating is reduced for the *Low temperature* setting clothes dry more slowly thus lengthening drying times.

## 5 Start the programme

- Press the *Start* button.

The indicator lamp for the *Start* button will then change from flashing to being on constantly.  
The drying cycle begins.

Depending on the programme selected, the drying stage reached is shown by the sequence indicator lamps on the right hand side of the control panel.

### Before the end of a programme

The cooling down phase takes place before the end of a programme so that the garments are not too hot to handle (the *Cool air* indicator lamp will come on). The programme is not finished until the cooling down phase is complete. The *Woollens handcare* and *Smoothing* programmes do not include a cooling down phase.

### At the end of a programme

The *Anti-crease/Finish* indicator lamp comes on.

The drum will continue to rotate at intervals to prevent laundry creasing, if you do not wish to remove it immediately. The anti-crease phase lasts for an hour. There is no anti-crease phase on the *Woollens handcare* programme.

During the anti-crease phase . . .  
. . . (depending on the programme selected) the indicator lamp for the drying stage reached will also light up.  
. . . the buzzer will sound at intervals.

## 6 Remove the laundry

- Press the *Door* button.
- Open the door.
- Remove the laundry.

Make sure that the drum is empty. If items are left in the dryer, they could be damaged by overdrying when the dryer is next used.

- Switch the dryer off by pressing the *I-On/O-Off* button.
- Clean the fluff filters.
- Close the door.
- Empty the condensed water container (where there is no external drainage of the water).
- The condenser unit should be checked and cleaned on a regular basis.

## Changing the programme sequence

### Changing a programme while it is running

As long as the cooling down phase or the anti-crease phase has not been reached, it is possible to change a programme after it has started by turning the programme selector to a different programme position.

### To interrupt a programme

- Switch the machine off with the *I-On/O-Off* button.

To continue drying:

- Switch the dryer on with the *I-On/O-Off* button.

The programme will continue (only with the *Cottons*, *Minimum iron* and *Automatic* programmes).

Other programmes:


- Press the *Start* button.

### To cancel a programme

- Turn the programme selector to *Finish* or open the door.

### Adding or removing laundry after a programme has started

- Press the *Door* button.
- Open the door.

 Do not touch the back of the drum when adding or removing items. The drum could be very hot - danger of burning.

- Add or remove items.
- Close the door.
- Press the *Start* button.

# Programme chart

<b>Cottons</b>		Max. load: 6 kg*
<b>Normal+, Normal**, Low temperature</b>		
Fabric type	Single and multi-layered cottons fabrics such as towelling, jerseywear, underwear, flannelette bed linen.	
Note	– Select <i>Low temperature</i> for fabrics with the ☐ symbol. Laundry is dried at a lower temperature.	
<b>Hand iron**, Machine iron</b>		
Fabric type	Cottons and linen fabrics, e.g. table linen, bedlinen, starched laundry.	
Note	To prevent laundry from drying out it should be rolled up until you are ready for ironing.	
<b>Minimum iron</b>		Max. load: 3 kg*
<b>Normal**, Low temperature, Hand iron</b>		
Fabric type	Minimum iron items made of cotton, synthetic or blended fabrics, e.g. shirts, blouses, skirts and table cloths.	
Notes	<ul style="list-style-type: none"> <li>– Select <i>Low temperature</i> for fabrics with the ☐ symbol (e.g. acrylic garments). Laundry is dried at a lower temperature.</li> <li>– Select <i>Hand iron</i> for delicate fabrics and to reduce creasing even more, reduce the load to 1.5 kg*.</li> <li>– In the Minimum iron <i>Hand iron</i> programme, items are dried with very little creasing, depending on fabric type and amount of load.</li> </ul>	

\* Weight of dry laundry

\*\* Note for test institutes:

Programme setting for testing in accordance with EN 61121

## Programme chart

<b>Automatic</b>		Max. load: 3 kg*
Fabric type	Mixed load of cotton and minimum iron fabrics.	
<b>Timed drying</b>		Max. load: 6 kg*
<b>Warm air</b>		
Fabric type	<ul style="list-style-type: none"> <li>– Multi-layered fabrics whose layers have different drying characteristics, e.g. jackets, pillows.</li> <li>– For drying individual items, e.g. bath towels, bathing costumes, tea-towels.</li> </ul>	
<b>Cool air</b>		
Fabric type	Any item which only needs airing.	
<b>Woollens handcare</b>		Max. load: 2 kg*
Fabric type	Woollen fabrics	
Notes	<ul style="list-style-type: none"> <li>– To refresh and fluff up woollen garments quickly. Woollen fabrics are not dried completely by this programme.</li> <li>– Remove garments as soon as the programme has finished and leave to finish drying at room temperature.</li> </ul>	
<b>Smoothing</b>		Max. load: 3 kg*
Fabric type	<ul style="list-style-type: none"> <li>– Cottons and linen fabrics.</li> <li>– Minimum iron items made of mixed fibres, cottons or synthetics e.g. trousers, jackets, shirts.</li> </ul>	
Notes	<ul style="list-style-type: none"> <li>– Smooths out creasing caused during the spin cycle in the washing machine.</li> <li>– Fabrics are not completely dried in this programme. Remove garments as soon as the programme has finished and leave to finish drying at room temperature.</li> </ul>	

\* Weight of dry laundry

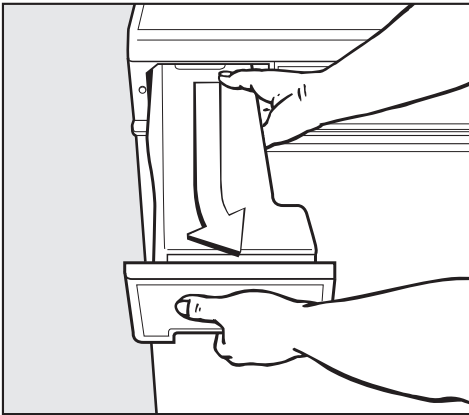
# Cleaning and care

## Emptying the condensed water container

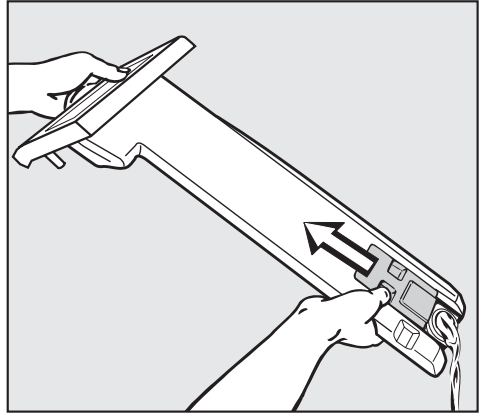
The condensed water will be collected in the condensed water container unless the machine has been fitted with a drain hose (see installation).

The condensed water container should be emptied **after every drying cycle** or as soon as the *Empty out container* indicator lamp comes on.

The drying programme will be interrupted if the maximum level of the condensed water container is reached. The *Empty out container* indicator lamp comes on and the buzzer sounds.



- Grip the container firmly with both hands, as shown, and pull it out slightly towards the right-hand side.
- Hold the container with both hands and carry it in a horizontal position.



- Open the shutter and empty out the water.
- To replace the container hold it at a slight angle (as when removing it) and push it in gently until you feel it click into position.
- Before starting a new programme, first switch the machine off and then on again. The *Empty out container* indicator lamp will go out.

Condensed water should not be consumed. It could lead to health problems for people and animals.

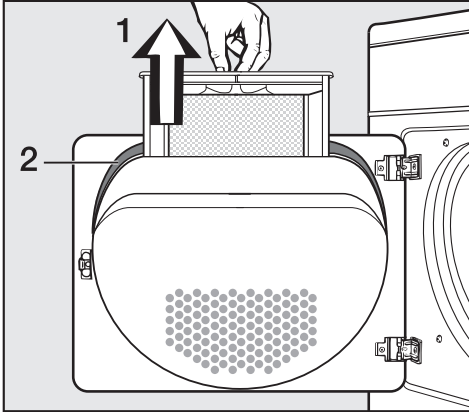
Condensed water can be put to household use (e.g. used in a steam iron or humidifier). To ensure that any residual particles of fluff in the condensed water are removed before use, pass it through a fine sieve or paper filter first.



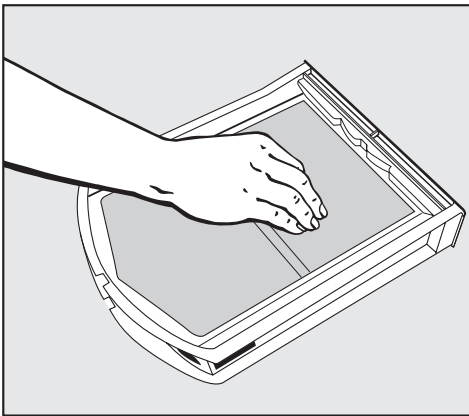
## Cleaning the fluff filters

The fluff which is created by the drying process is collected by the fluff filters in the door and the door opening. Clean the filters after **each** drying programme.

### Cleaning them whilst dry



- Open the door and pull the fluff filter (1) out of the door as illustrated.

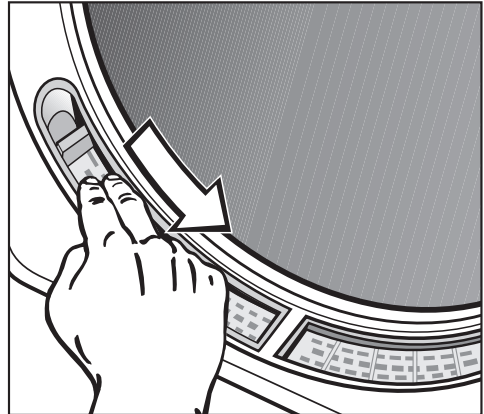


- Use your fingers to remove the fluff from the surface of the filter.

- Remove any fluff from the hollow part of the door holder. A cleaning brush is available as an optional extra from your Miele dealer or the Miele Spare Parts Department.

Tip: You can also use a vacuum cleaner.

- Once clean, push the filter back into the door holder until it clicks into position. Ensure it is facing the correct way.
- Also clean the door seal (2) with a damp cloth.



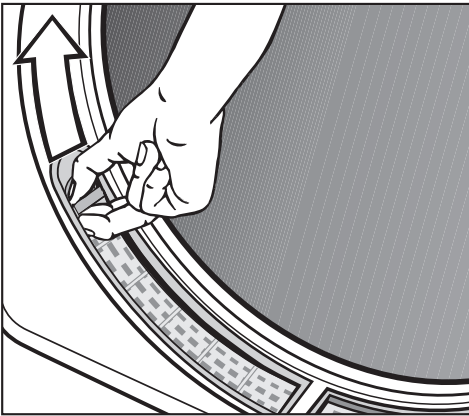
- Use your fingers to remove the fluff from the two fluff filters in the door opening.
- Close the door.

# Cleaning and care


## Cleaning them with water

If there is a great deal of compacted fluff on any of the filters, they can be removed and cleaned under hot running water.

- To remove the fluff filter from the door holder see previous page.



- To remove the filters in the door opening, grip the holder and push upwards in the direction of the arrow to remove it.
- Rinse the filters under hot, running water.
- Then shake the filters until no more water droplets are visible.
- Dry the filters thoroughly with care.

 Do not replace them if they are damp or wet. Damp or wet filters could cause operational faults.

- Push the large filter back into the door holder until it clicks into position. Ensure it is facing the correct way.

- Place the filters back in the door opening (the left and right filters are identical) with the finger holders facing upwards. See illustration.

## Cleaning the tumble dryer

Disconnect the machine from the mains electricity supply.

- Clean the housing and control panel with a slightly damp cloth and a mild detergent or soapy water.
- The drum and other stainless steel parts can be cleaned with a suitable proprietary stainless steel cleaner following the manufacturer's instructions.

**Do not** use solvents, abrasive cleaners, glass cleaners or all-purpose cleaners. These could damage plastic surfaces and other parts. The machine must never be hosed down.

- Dry all parts with a soft cloth.
- A microfibre E-Cloth is available from the Miele UK Spare Parts Department which is suitable for cleaning surfaces such as stainless steel, glass, plastic and chrome without the use of chemicals. It can be washed 300 times.

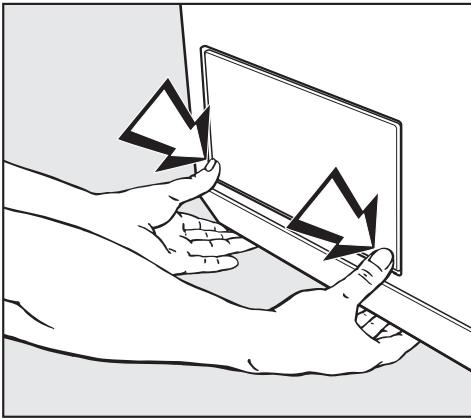
## Cleaning the condenser unit

Detergent residue, hair and fine fluff from the dryer can get through the fluff filters and block the condenser unit.

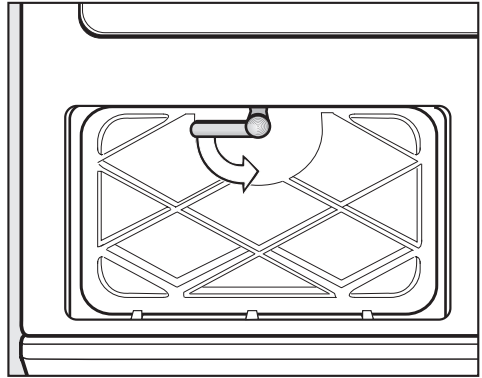
Dust from the room in which the dryer is installed can also get into the condenser unit and cause a blockage.

**Check** the condenser unit at least twice a year. If the dryer is used frequently then clean the condenser unit after approx. 100 drying cycles.

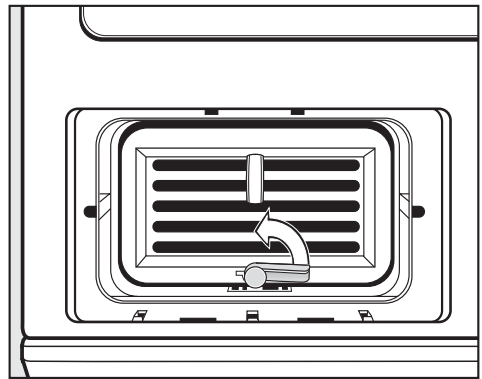
## Removing the condenser unit



- Open the service panel by pressing the two lower corners at the same time (see illustration). The hooks at the side will prevent the panel from falling off.
- Now remove the panel by pulling it diagonally upwards.
- Then place it to one side.

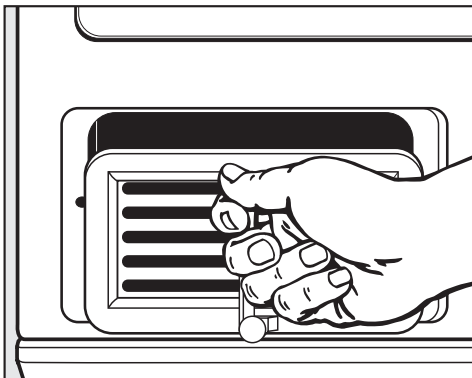


- Turn the lever on the inner cover downwards to the vertical position.
- Pull the cover forwards
- Then remove it by pulling it diagonally upwards.



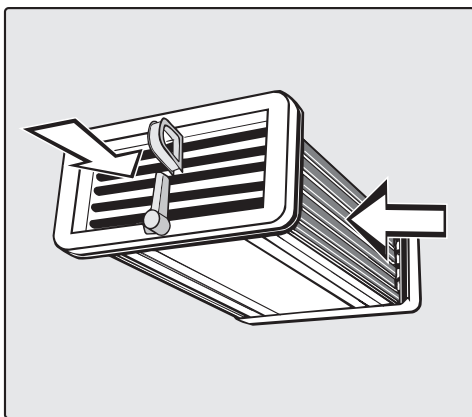
- Turn the lever on the condenser unit to the vertical position.

## Cleaning and care



- Pull the condenser unit out of its housing by the handle.

### Checking the condenser unit



- Hold the condenser unit up to the light **as shown**.
- Check to see if there is any fluff inside it.  
The arrows in the illustration above indicate where to look.

If you cannot see any fluff:

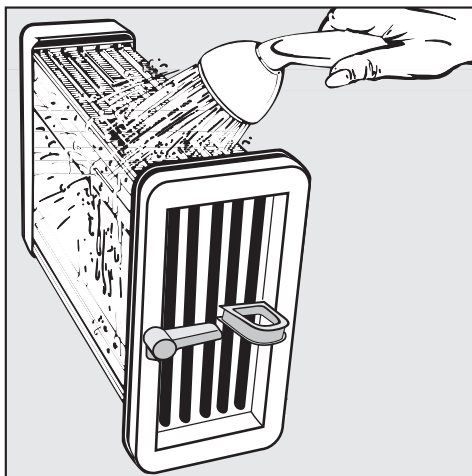
- Replace the condenser unit (see following page).

If you can see some fluff:

- Clean the condenser unit as described below.

### Cleaning the condenser unit

- **When rinsing the condenser unit, make sure you position it as shown in the next two illustrations.**



- Use a shower head or similar to rinse the unit out **as shown**.



- Then flush the unit through from the front.
- Check the condenser unit again for any visible fluff and if necessary flush it through again until it has all gone.
- Remove any soiling still visible inside the housing unit by hand using a damp cloth. Do not try and access areas you cannot reach by hand!
- Also make sure the rubber seals are clean.


The rubber seals must not be removed and must be free of kinks.

## Replacing the condenser unit

- With the handle facing upwards, push the condenser unit back into position in its housing.
- Turn the lever down to the horizontal position, making sure that the hook on the lever clicks into the groove.

When replacing the cover after cleaning, ensure that the rubber seal fits correctly into the groove.


- Replace the cover making sure the hooks locate correctly. Hold it at an angle and push it gently downwards.
- Then turn the lever upwards into the horizontal position to lock the cover.
- Replace the service panel and press the upper edge until it clicks into position.

 It is important to ensure that both the condenser unit and the cover are correctly positioned and locked otherwise water may leak from the machine.

# Problem solving guide

---

With the help of the following notes minor faults in the performance of the machine, some of which may result from incorrect operation, can be put right without contacting the Service Department.

 Repair work to electrical equipment should only be carried out by a suitably qualified person in accordance with local and national safety regulations. Repairs and other work by unqualified persons could be dangerous. The manufacturer cannot be held liable for unauthorised work.

## General problems

Problem	Possible cause	Remedy
<b>The tumble dryer fails to start when switched on.</b>	No obvious cause.	<ul style="list-style-type: none"><li>– Have you followed the switch-on procedure correctly (see “How to dry correctly”)?</li><li>– Is the plug correctly inserted in the socket and switched on?</li><li>– Is the door closed properly?</li><li>– Has the fuse or circuit breaker tripped?</li></ul>
<b>Items made of synthetic fibres are charged with static electricity after drying.</b>	Synthetic fibres tend to attract static charge.	Static charge can be reduced by adding a fabric conditioner to the final rinse in the washing machine or a fabric conditioner sheet to the load in the dryer.

## Problem solving guide

Problem	Possible cause	Remedy
<b>There is a build up of fluff.</b>	Fluff is principally the result of friction when garments are being worn and washed. Machine drying hardly causes any fluff to form and has been established by research institutes to have no appreciable effect on the lifetime of the garment.	Fluff is collected by the fluff filters and can be easily removed (see "Cleaning and Care").
<b>The laundry is not sufficiently dry.</b>	The load consisted of different fabrics.	<ul style="list-style-type: none"> <li>– Finish drying using "Warm air" (timed drying).</li> <li>– Select a more suitable drying programme next time (see "Programme chart").</li> </ul>
<b>The interior drum lighting does not come on.</b>	The lighting switches off automatically (to save energy).	Switch the dryer off and then on again.
	The lamp needs changing.	Change the lamp as described at the end of this section.

## Problem solving guide

Problem	Possible cause	Remedy
<p><b>The drying process goes on too long or even switches off.</b></p>	<p><b>Important:</b> Before attempting to remedy one of the following causes, switch the dryer off and switch on again to start the programme again.</p>	
	<p>Ventilation to and from the dryer may be insufficient (e.g. because it is installed in a small room). This has caused the temperature in the room to rise sharply.</p>	<p>Open a door or window while the machine is in operation for increased air flow.</p>
	<p>The vents below the door are blocked.</p>	<ul style="list-style-type: none"> <li>– Remove any objects that are blocking the vents.</li> </ul>
	<p>The fluff filters are clogged up with fluff or were still wet when they were replaced.</p>	<ul style="list-style-type: none"> <li>– Remove any fluff.</li> <li>– The fluff filters must be completely dry.</li> </ul>
	<p>Detergent residues, hair and fine fibres can block up the condenser unit.</p>	<p>Check the condenser unit from time to time and clean it if necessary (see "Cleaning and Care").</p>
	<p>The laundry has not been spun sufficiently.</p>	<p>Make sure that your laundry is thoroughly spun at the appropriate spin speed.</p>
	<p>The tumble dryer has been overloaded.</p>	<p>Do not exceed the maximum load for the programme selected.</p>
<p>Metallic components, e.g. zips have prevented the dryer from registering the correct moisture level in the laundry.</p>	<ul style="list-style-type: none"> <li>– Open zips next time.</li> </ul> <p>If the problem occurs again, dry garments with long zips using "Warm air" (timed drying).</p>	



## Problem solving guide

Problem	Possible cause	Remedy
<b>The condenser unit service panel will not shut.</b>	The inner cover of the condenser unit has not been locked properly and/or the condenser unit has not been positioned correctly.	<ul style="list-style-type: none"> <li>– Ensure that the condenser unit is positioned correctly <b>and</b> lock the cover.</li> <li>– Check the rubber seals.</li> </ul>
<b>Water leaks from the machine after the condenser unit has been cleaned.</b>	Fluff has collected at the bottom of the condenser unit housing.	<ul style="list-style-type: none"> <li>– Use a cloth to remove any fluff from the inside of the condenser unit housing.</li> </ul>
<b>Check and fault indicator lamps</b>		
Problem	Possible cause	Remedy
<b>The <i>Empty out container</i> indicator lamp comes on.</b>	The condensed water container is full or there is kink in the drain hose.	<ul style="list-style-type: none"> <li>– Empty out the condensed water container.</li> <li>– Check the drain hose.</li> <li>– Before starting a new programme, first switch the dryer off and then on again.</li> </ul>
<b>The programme has been interrupted, the indicator lamp for <i>Hand iron</i> or <i>Machine iron</i> is flashing, and the buzzer sounds.</b>	There is no obvious cause.	<ul style="list-style-type: none"> <li>– Switch off the dryer.</li> <li>– Then switch the dryer back on and start the programme again.</li> </ul> <p>If the programme stops again and an indicator lamp flashes, there is a fault. Contact the Miele Service Department.</p>

# Problem solving guide

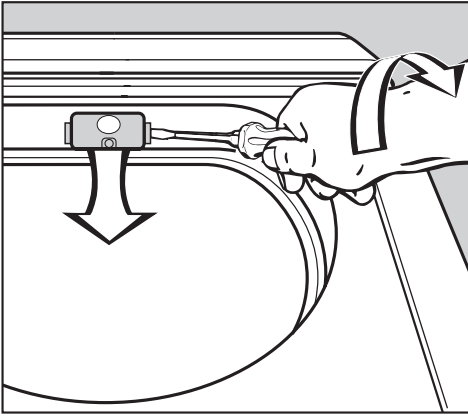
Problem	Possible cause	Remedy
<b>The programme has stopped, the <i>Anti-crease/Finish</i> lamp has come on in the sequence display and the buzzer is sounding.</b>	This is not a fault. The electronic unit has recognised that there is no laundry in the drum and cancelled the programme. Drying individual garments or items which are already dry can also cause the programme to be stopped.	Use the "Timed drying - Warm air" programme to dry individual items. Before changing a programme: Open and close the drum door.

### Changing the lamp

Disconnect the machine from the mains electricity supply.

- Open the door.

You will find the interior lamp cover at the top of the drum aperture.



- Insert a suitable tool, such as a wide bladed screwdriver, under the side edge of the lamp cover as illustrated.
- Apply a little pressure and whilst doing so turn your wrist in the direction of the arrow to open the cover.

The cover will open downwards.

The temperature resistant lamp should only be ordered from your Miele dealer or the Miele Spare Parts Department.

The lamp specification and maximum wattage is stated on the data plate and on the lamp cover.

- Replace the lamp.
- To close the cover push it upwards and press it on the left and right until you hear it click into position.

⚠ Ensure that it is fitted into position securely, as any moisture could cause a short circuit.

## After sales service

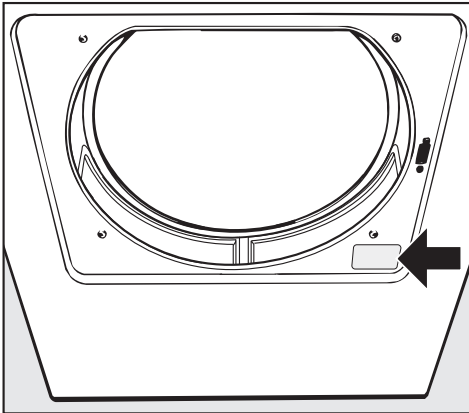
---

### Repairs

In the event of any faults which you cannot remedy yourself, or if the machine is under guarantee, please contact

- your Miele dealer, or
- the Miele Service Department (see back cover for contact details).

When contacting your Dealer or the Service Department, please quote the model and serial number of your machine, both of which are shown on the data plate situated on the right hand side below the drum aperture.



### Appliance guarantee

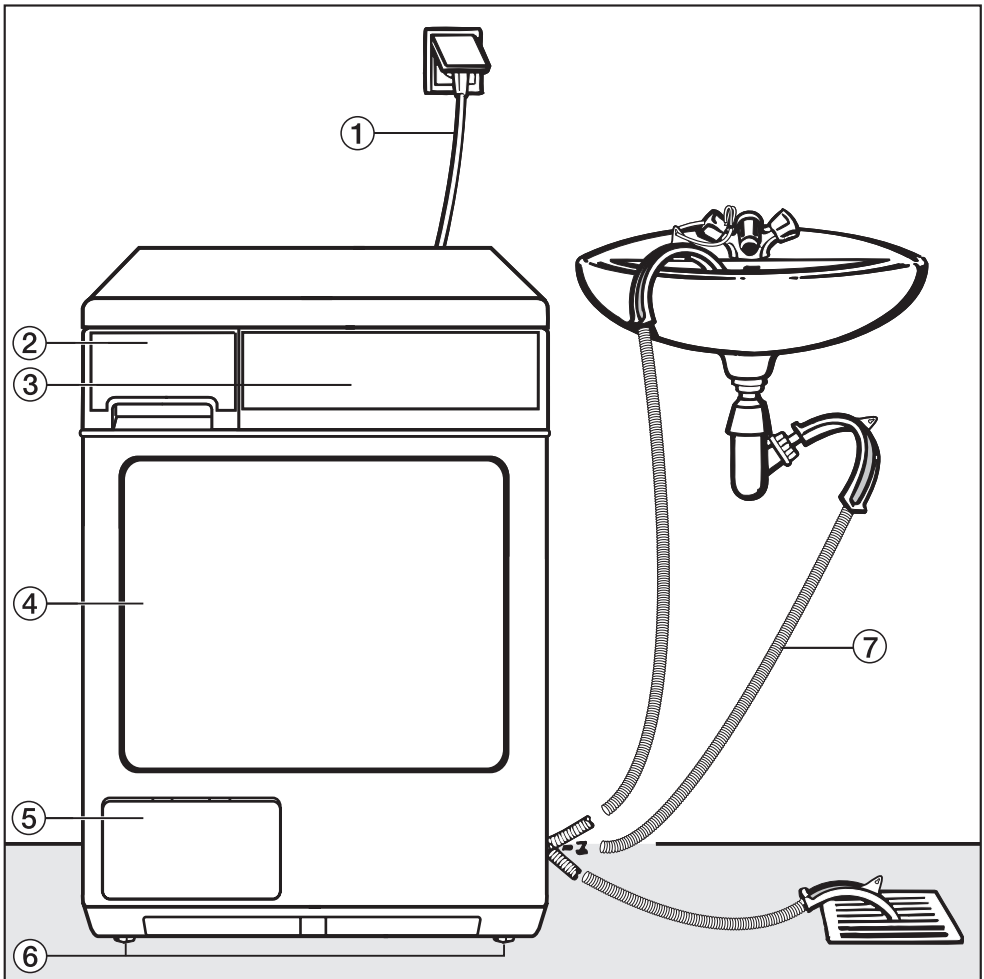
Please see the guarantee card supplied with your machine.

### Optional accessories

Optional accessories for this dryer is available from your Miele Dealer or from the Miele Spare Parts Department.

Please note that telephone calls may be monitored and recorded to improve our service.

## Front view




- ① Mains connection cable
- ② Condensed water container
- ③ Control panel
- ④ Door
- ⑤ Service panel for condenser unit
- ⑥ Four height-adjustable screw feet
- ⑦ External drainage options (e.g. via wash basin, wash basin drain outlet, or gully).

# Installation

---

## Installation site

 Make sure the dryer door can be opened without hindrance after installation.

## Transporting the machine to its installation site

When moving the machine you can hold it by the lid where it protrudes to the rear of the dryer.


To manoeuvre the dryer out of its packing case to its installation site you will also need to hold it by the front feet.

## Building under a continuous worktop / in a row of kitchen units

The dryer should not be installed next to a refrigerator or freezer. The warm air expelled from the rear of the dryer would increase the temperature around the refrigerator's/freezer's heat exchanger causing the compressor to run continuously.

If it is not possible to install the dryer anywhere else, then the refrigerator/freezer must be sealed off from the dryer.

If you wish to push your machine under a worktop and there is space to do this **without removing the lid**, a building under kit is not necessary. Otherwise the building under kit is essential.

 The **building under kit\*** must be fitted by a suitably qualified person. The machine lid is replaced by a coverplate. It is essential that the coverplate is fitted to ensure electrical safety.

The building under kit is supplied with its own installation instructions.

N.B. When built under running times may be longer.

- The electrical socket must be located in an accessible position near the machine.

With niche heights of:

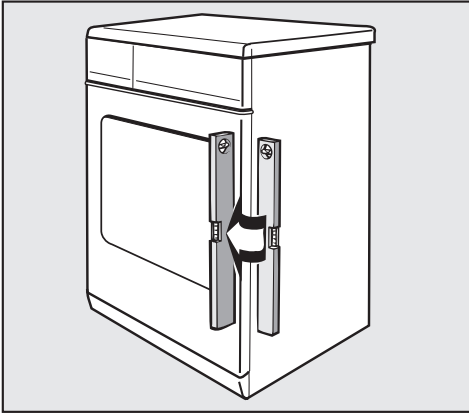
- 840 mm, longer screw feet\* are required.
- 870/885 mm - 915/930 mm, one or two height adjustment frames\* are required.

\* Available as an optional accessory from your Miele dealer or the Miele Spare Parts Department.

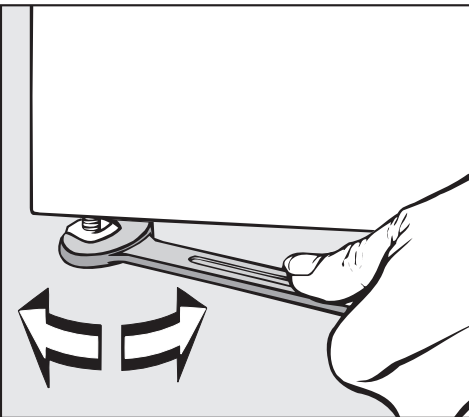
## Replacing the lid

If the lid has been removed in order to fit a cover plate, ensure that, if the lid is replaced, it fits securely into the rear holders. Otherwise, it is not properly secure for transport.

## Levelling the machine



The machine must be perfectly level to ensure safe and proper operation.



- The screw feet can be adjusted to compensate for any unevenness in the floor.

⚠ The ventilation gaps in the plinth must not be covered over as this would prevent a sufficient intake of air.

## Room in which the dryer is located

Air taken in for use in the drying process will be warm when it is expelled from the rear of the dryer. This expelled air heats up the air in the room. It is therefore very important to ensure that the room is adequately ventilated, particularly if the dryer is located in a small room. Otherwise running times and energy consumption could be increased.

## Washer - dryer stack

The tumble dryer can also be combined with a Miele washing machine in a washer-dryer stack. To do this the appropriate stacking kit\* (WTV) to match your washing machine is required.

\* Available as an optional accessory from your Miele dealer or the Miele Spare Parts Department.

⚠ Stacking kits must be fitted by a suitably qualified fitter.

## Before moving the machine again (e.g. when moving house)

After each use a small quantity of condensed water will collect in the area around the pump. This water can run out if the machine is tipped up when it is being moved. It is a good idea to run the *Cool air* programme for approximately 1 minute before moving the machine. Any remaining condensed water will then be fed into the condensed water container or out through the drain hose.

# Installation

## External condensed water outlet

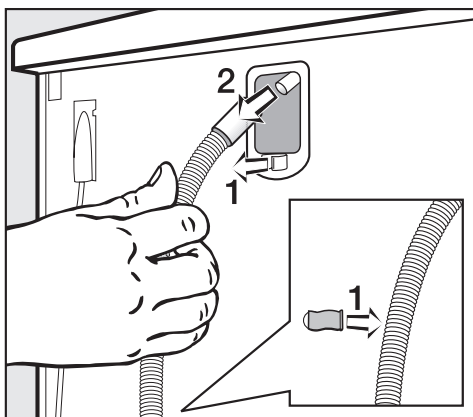
When drying is in progress, condensed water is pumped into the condensed water container through the drain hose at the back of the dryer. The condensed water can also be drained off directly if the machine is installed near a sink, drain outlet etc. so that the condensed water container does not have to be emptied.

The drain hose (approx. 2 m long) is stored in the dryer. It must be pulled out of the dryer to its full extent if condensed water is to be drained externally. Maximum delivery head: 1 m.

If it is not long enough, an extension hose is available as an optional accessory through your dealer or from the Miele Spare Parts Dept.

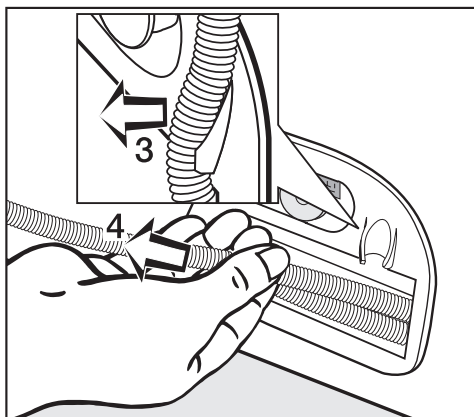
### Setting up the drain hose

From the back of the dryer at the top:



- Unclip the drain hose from clip (1).
- Then pull it off holder (2).

From the back of the dryer at the bottom:



- Unclip the drain hose from clip (3).
- Then pull the drain hose **completely out of the dryer towards the left (4)** (See illustration). Important:

⚠ Do not let the drain hose become kinked, as this could damage it.

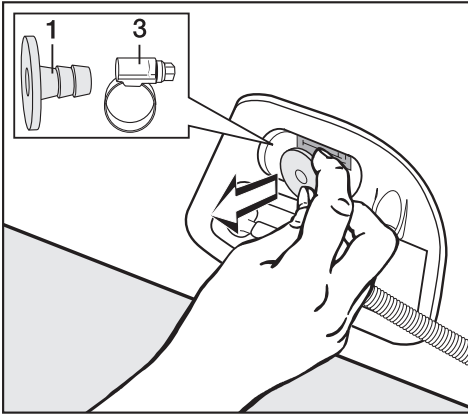
⚠ If you want to drain the water off into a sink you will need to secure the hose carefully, e.g. by tying it to a tap to make sure it cannot slip during use. Otherwise there is a risk of overflowing water which could cause damage.

Use the bow-shaped guide to prevent the drain hose from becoming kinked (see "Front view" illustration).

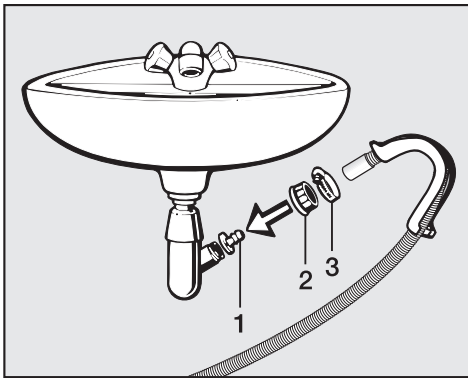


## Connection to a sink drain outlet

The drain hose can be connected directly to a sink drain outlet.



- Remove the following from the back of the dryer at the bottom:  
Adapter **1** and hose clip **3** behind it.



- Fit adapter **1** to the sink drain outlet using nut **2**.

If this nut has a flat disc in it you should take the disc out first. Important: if this nut has a washer or seal in it this must not be removed!

- Attach the end of the hose to adapter **1**.
- Use a screwdriver to tighten hose clip **3** up close to the nut.

## If you no longer wish to use an external condensed water outlet

**⚠ Do not** push the drain hose back into the dryer. Doing this could cause it to become kinked and damaged in the dryer.

- Loop the drain hose up.
- Use a suitable cable tie to secure the looped hose to the back of the dryer, or simply lay the looped hose behind the dryer.
- Attach the open end of the drain hose back onto the holder at the back of the dryer at the top (see holder **2** in "Pulling out the drain hose").

# Electrical connection

---

## Electrical connection U.K.

All electrical work should be carried out by a suitably qualified and competent person, in strict accordance with national and local safety regulations.

Ensure power is not supplied to the appliance until after installation work has been carried out.

The appliance is supplied with a mains cable with moulded plug ready for connection to a 230-240V mains supply. **The voltage and connected load are given on the data plate.**

Please ensure these match the household mains supply. The fuse rating is quoted on the plug.

Connection should be made via a suitable switched socket which is easily accessible after installation.

For extra safety it is advisable to install a residual current device (RCD), with a trip current of 30 mA (in accordance with DIN VDE 0664, VDE 0100 Section 739).

Do not connect via an extension lead. Extension leads do not guarantee the required safety of the appliance (e.g. danger of overheating).

## Non-rewireable plugs BS 1363

The fuse cover must be refitted when changing the fuse, and if the fuse cover is lost, the plug must not be used until a suitable replacement is obtained. The colour of the correct replacement cover is that of the coloured insert in the base of the plug, or the colour that is embossed in words on the base of the plug (as applicable to the design of plug fitted).

Replacement fuses should be ASTA approved to BS 1362 and have the correct rating. Replacement fuses and fuse covers may be purchased from your local electrical supplier.

**WARNING: THIS APPLIANCE  
MUST BE EARTHED**

## Consumption data

Programme	Load kg*	Final spin speed in a domestic washing machine	Energy kWh	Time Minutes
		rpm		
<b>Cottons Normal</b>	6.0	800 (70 % residual moisture)**	4.05	119
		1200	3.20	95
		1400	3.05	91
		1600	2.95	88
		1800	2.65	80
<b>Cottons Hand iron</b>	6.0	800 (70 % residual moisture)**	3.25	95
		1200	2.40	72
		1400	2.25	68
		1600	2.15	65
		1800	1.85	58
<b>Minimum iron Normal</b>	3.0	1000 (50 % residual moisture)**	1.50	54
<b>Minimum iron Hand iron</b>	3.0	1000	1.30	47
<b>Automatic</b>	3.0	900	1.95	109
<b>Woollens handcare</b>	2.0	900	0.15	4
<b>Smoothing</b>	3.0	-	0.30	8

\* Weight of dry laundry

\*\* EN 61121 test programme:

All data established in accordance with EN 61121.

Before testing in accordance with EN 61121, dry a 3 kg load of cotton laundry with 70% residual moisture as per the above standard using the Cottons Normal programme.

**Consumption data can vary from the nominal values given above depending on the size of the load, types of textiles, residual moisture levels after spinning, fluctuations in the electricity supply and any additional options selected.**

## Technical data

---

Height	850 mm (adjustable +7 / -7 mm)
Height for building under	820 mm
Width	595 mm
Depth	580 mm
Depth with door open	1,060 mm
Weight	54 kg
Drum volume	100 litres
Maximum capacity	6 kg dry weight
Capacity of condensed water container	approx. 3.5 l
Hose length	2 m
Maximum delivery head	1 m
Maximum drain hose length	3 m
Length of connection cable	2 m
Voltage	see data plate
Connected load	see data plate
Fuse rating (UK)	see plug
Lamp wattage	see data plate
Energy consumption	see "Consumption data" section
Test certificates awarded	Radio / TV suppression, VDE

# Programmable functions for changing standard settings

# Programmable functions

---

## Altering the residual moisture level in the Cottons programmes

The machine is designed to dry effectively using as little energy as possible.

However, if you require the laundry to be drier, it is possible to reduce the default residual moisture level in the Cottons programmes.

Please note that programme durations will be longer if this option is activated.

**Follow steps ① to ⑦ to programme and store in memory.**

**Before you begin, first ensure that:**

- The tumble dryer is switched off.
- The door is closed.
- The programme selector is at *Finish*.

- ① Press the *Start* button and keep it pressed in whilst carrying out steps ②-③.
- ② Switch the dryer on with the *I-On/O-Off* button.
- ③ Wait until the *Start* indicator lamp comes on . . .
- ④ . . . and then release the *Start* button.
- ⑤ Turn the programme selector to the *Cottons Normal* position.
- ⑥ Pressing the *Start* button switches between activating and deactivating the drier setting.
  - If the *Drying* indicator lamp is flashing: the **drier setting is activated**
  - If the *Drying* indicator lamp is not flashing, the **drier setting is not activated** and the residual moisture level is on the standard default setting.
- ⑦ Switch the machine off with the *I-On/O-Off* button.

The setting you have selected is now stored in memory. You can change it again at any time.

### To check:

- Make sure the dryer is switched off, the door is closed and the programme selector is at *Finish* and then carry out steps ① to ⑤.

The *Drying* indicator lamp will show you if the drier setting has been selected.

- Switch off the dryer.

The check is complete.

### Altering the residual moisture level in the Minimum iron programmes

The machine is designed to dry effectively using as little energy as possible.

However, if you require the laundry to be drier, it is possible to reduce the default residual moisture level in the Minimum iron programmes.

Please note that programme durations will be longer if this option is activated.

Follow steps ❶ to ❷ to programme and store in memory.

Before you begin, first ensure that:

- The tumble dryer is switched off.
- The door is closed.
- The programme selector is at *Finish*.

- ❶ Press the *Start* button and keep it pressed in whilst carrying out steps ❷-❸.
- ❷ Switch the dryer on with the *I-On/O-Off* button.
- ❸ Wait until the *Start* indicator lamp comes on . . .
- ❹ . . . and then release the *Start* button.
- ❺ Turn the programme selector to the *Cottons Low temperature* position.
- ❻ Pressing the *Start* button switches between activating and deactivating the drier setting.
  - If the *Drying* indicator lamp is flashing, the **drier setting is activated**
  - If the *Drying* indicator lamp is not flashing, the **drier setting is not activated** and the residual moisture level is on the standard default setting.
- ❼ Switch the machine off with the *I-On/O-Off* button.

The setting you have selected is now stored in memory. You can change it again at any time.

#### To check:

- Make sure the dryer is switched off, the door is closed and the programme selector is at *Finish* and then carry out steps ❶ to ❺.

The *Drying* indicator lamp will show you if the drier setting has been selected.

- Switch off the dryer.

The check is complete.

# Programmable functions

---

## Activating and deactivating the buzzer

A buzzer sounds (at intervals for a maximum of 1 hr) to let you know the programme has finished.

The machine is delivered with the buzzer activated but you can deactivate it if wished.

The buzzer will still sound if there is a fault, even if it has been deactivated.

### Follow steps ❶ to ❷ to programme and store in memory.

#### Before you begin, first ensure that:

- The tumble dryer is switched off.
- The door is closed.
- The programme selector is at *Finish*.

- ❶ Press the *Start* button and keep it pressed in whilst carrying out steps ❷-❸.
- ❷ Switch the dryer on with the *I-On/O-Off* button.
- ❸ Wait until the *Start* indicator lamp comes on . . .
- ❹ . . . and then release the *Start* button.
- ❺ Turn the programme selector to the *Cottons Hand iron* position.
- ❻ Pressing the *Start* button switches between activating and deactivating the buzzer.
  - If the *Drying* indicator lamp is not flashing:  
**the buzzer is deactivated**
  - If the *Drying* indicator lamp is flashing:  
**the buzzer is activated**
- ❼ Switch the machine off with the *I-On/O-Off* button.

The setting you have selected is now stored in memory. You can change it again at any time.

#### To check:

- Make sure the dryer is switched off, the door is closed and the programme selector is at *Finish* and then carry out steps ❶ to ❺.

The *Drying* indicator lamp will show you if the buzzer is activated.

- Switch off the dryer.

The check is complete.



### Extending the cooling down time

The cooling down phase which takes place before the end of a programme can be lengthened if required. This makes the garments easier to handle.

The dryer is delivered with the extended cooling down time option deactivated. You can extend the cooling down time by 5 minutes or 10 minutes.

The option of extending the cooling down time is available with the *Cottons*, *Minimum iron* and *Automatic* programmes.

**Follow steps ① to ⑦ to programme and store in memory.**

**Before you begin, first ensure that:**

- The tumble dryer is switched off.
- The door is closed.
- The programme selector is at *Finish*.

- ① Press the *Start* button and keep it pressed in whilst carrying out steps ②-③.
- ② Switch the dryer on with the *I-On/O-Off* button.
- ③ Wait until the *Start* indicator lamp comes on . . .
- ④ . . . and then release the *Start* button.
- ⑤ Turn the programme selector to the *Cottons Machine iron* position.
- ⑥ Pressing the *Start* button alters the cooling down time.

- If the *Drying* indicator lamp flashes once:  
**The cooling down time will be five minutes longer.**
  - If the *Drying* indicator lamp flashes twice:  
**The cooling down time will be ten minutes longer.**
  - If the *Drying* indicator lamp is not flashing:  
**The cooling down time is not extended.**
- ⑦ Switch the machine off with the *I-On/O-Off* button.

The setting you have selected is now stored in memory. You can change it again at any time.

**To check:**

- Make sure the dryer is switched off, the door is closed and the programme selector is at *Finish* and then carry out steps ① to ⑤.

The *Drying* indicator lamp will show you if the cooling down time has been extended.

- Switch off the dryer.

The check is complete.

# Programmable functions

---

## Changing the standard drying level in the Minimum iron - Normal programme

The drying level for this programme is set at a standard level. You have the option of changing this to an increased drying level.

The machine is delivered with the drying level set at *Normal*

You can change this to *Normal+* (drier than the standard drying level).

Important: the "Normal+" drying level will work in addition to the "Altering the residual moisture level in the *Minimum iron programmes*" programmable function, if you have already set this.

### Follow steps ① to ⑦ to programme and store in memory.

#### Before you begin, first ensure that:

- The tumble dryer is switched off.
- The door is closed.
- The programme selector is at *Finish*.

- ① Press the *Start* button and keep it pressed in whilst carrying out steps ②-③.
- ② Switch the dryer on with the *I-On/O-Off* button.
- ③ Wait until the *Start* indicator lamp comes on . . .
- ④ . . . and then release the *Start* button.
- ⑤ Turn the programme selector to *Minimum iron - Normal*.

⑥ Pressing the *Start* button alters the drying level.

- If the *Drying* indicator lamp is flashing:

**the standard drying level is *Normal+***

- If the *Drying* indicator lamp is not flashing, the **increased drying level is not activated** and the drying level will remain on the standard setting (*Normal*).

⑦ Switch the machine off with the *I-On/O-Off* button.

The setting you have selected is now stored in memory. You can change it again at any time.

#### To check:

- Make sure the dryer is switched off, the door is closed and the programme selector is at *Finish* and then carry out steps ① to ⑤.

The *Drying* indicator lamp will show you if the *Normal+* drying level has been set.

- Switch off the dryer.

The check is complete.

### Changing the standard drying level in the Automatic programme

The drying level for this programme is set at a standard level. You have the option of changing this to an increased drying level.

The machine is delivered with the drying level set at *Normal*

You can change this to *Hand iron* (damper) or *Normal+* (drier than the standard drying level).

#### Follow steps ① to ⑦ to programme and store in memory.

#### Before you begin, first ensure that:

- The tumble dryer is switched off.
- The door is closed.
- The programme selector is at *Finish*.

- ① Press the *Start* button and keep it pressed in whilst carrying out steps ②–③.
- ② Switch the dryer on with the *I-On/O-Off* button.
- ③ Wait until the *Start* indicator lamp comes on . . .
- ④ . . . and then release the *Start* button.
- ⑤ Turn the programme selector to the *Automatic* position.

- ⑥ Pressing the *Start* button alters the drying level.

- If the *Drying* indicator lamp flashes twice:

**the standard drying level is *Normal+***

- If the *Drying* indicator lamp is not flashing:

**the standard drying level is *Hand iron***

- If the *Drying* indicator lamp flashes once, the **drying level has not been changed and** will remain on the standard setting (*Normal*).

- ⑦ Switch the machine off with the *I-On/O-Off* button.

The setting you have selected is now stored in memory. You can change it again at any time.

#### To check:

- Make sure the dryer is switched off, the door is closed and the programme selector is at *Finish* and then carry out steps ① to ⑤.

The *Drying* indicator lamp will show you if the drying level has been changed.

- Switch off the dryer.

The check is complete.

**United Kingdom:**

Miele Co. Ltd.  
Fairacres, Marcham Road  
Abingdon, Oxon, OX14 1TW  
tel. Abingdon (01235) 554455  
Service Office: (01235) 554466  
fax (01235) 554477  
Internet: [www.miele.co.uk](http://www.miele.co.uk)

**Ireland:**

Miele Ireland Ltd.  
Broomhill Road, Tallaght, Dublin 24  
Tel: (01) 46 10 710, Fax: (01) 46 10 797  
Email: [info@miele.ie](mailto:info@miele.ie)  
Internet: <http://www.miele.ie>

**Australia:**

Miele Australia Pty. Ltd.  
A.C.N. 005635398  
1 Gilbert Park Drive  
Knoxfield, VIC 3180  
Telephone: (03) 9764 7100  
Fax: (03) 9764 7129  
Internet: [www.miele.com.au](http://www.miele.com.au)

**Distributor New Zealand:**

Steelfort Engineering Company. Ltd.  
500 Rangitikei Street  
Palmerston North, Priv. Bag 11045, NZ  
Telephone: (06) 350 1350  
Fax: (06) 356 1507

**South Africa:**

Miele (Pty) Ltd  
63 Peter Place  
Bryanston 2194  
P.O. Box 69434  
Bryanston 2021  
Tel.: (011) 548 1900  
Telefax (011) 548 1935  
Internet: [www.miele.co.za](http://www.miele.co.za)  
E-mail: [info@miele.co.za](mailto:info@miele.co.za)

**Singapore:**

Miele Southeast Asia  
Miele Pte. Ltd.  
163 Penang Road  
# 04 - 02/03 Winsland House II  
Singapore 238463  
Tel : +65-67351191  
Fax: +65-67351161  
Email: [infosea@miele.com.sg](mailto:infosea@miele.com.sg)

**Hong Kong:**

Miele (Hong Kong) Limited  
AIA Plaza, 24<sup>th</sup> Floor  
18 Hysan Avenue  
Causeway Bay  
Hong Kong  
Tel.: (852) 2610 1331  
Fax: (852) 2610 1013  
E-mail: [mielehk@miele.com.hk](mailto:mielehk@miele.com.hk)