



ML-310 Phase 7

Parts Manual

(with Tilt Options)

American Dryer Corporation
88 Currant Road
Fall River MA 02720-4781
Telephone: (508) 678-9000 / Fax: (508) 678-9447
E-mail: techsupport@amdry.com

ADC Part No. 450420

Retain This Manual In A Safe Place For Future Reference

American Dryer Corporation products embody advanced concepts in engineering, design, and safety. If this product is properly maintained, it will provide many years of safe, efficient, and trouble-free operation.

ONLY qualified technicians should service this equipment.

OBSERVE ALL SAFETY PRECAUTIONS displayed on the equipment or specified in the installation manual included with the dryer.

The following “**FOR YOUR SAFETY**” caution **must be** posted near the dryer in a prominent location.

FOR YOUR SAFETY

Do not store or use gasoline or other flammable vapors or liquids in the vicinity of this or any other appliance.

POUR VOTRE SÉCURITÉ

Ne pas entreposer ni utiliser d'essence ni d'autres vapeurs ou liquides inflammables dans le voisinage de cet appareil ou de tout autre appareil.

We have tried to make this manual as complete as possible and hope you will find it useful. **ADC** reserves the right to make changes from time to time, without notice or obligation, in prices, specifications, colors, and material, and to change or discontinue models.

Important

For your convenience, log the following information:

DATE OF PURCHASE _____ **MODEL NO.** **ML-310 Tilt** _____

RESELLER'S NAME _____

Serial Number(s) _____

Replacement parts can be obtained from your reseller or the **ADC** factory. When ordering replacement parts from the factory, you can FAX your order to **ADC** at (508) 678-9447 or telephone your order directly to the **ADC** Parts Department at (508) 678-9000. Please specify the dryer **model number** and **serial number** in addition to the **description** and **part number**, so that your order is processed accurately and promptly.

The illustrations on the following pages may not depict your particular dryer exactly. The illustrations are a composite of the various dryer models. Be sure to check the descriptions of the parts thoroughly before ordering.

“IMPORTANT NOTE TO PURCHASER”

Information **must be** obtained from your local gas supplier on the instructions to be followed if the user smells gas. These instructions **must be** posted in a prominent location near the dryer.

Table of Contents

Front Panel Assembly	
Automatic Door	4, 5
Front Panel Assembly	
Manual Door	6, 7
Rear Panel Assembly	
1 Door/Forward Tilt	8
Rear Panel Assembly	
1 Door/2-Way Tilt	9
Rear Panel Assembly	
2 Automatic Doors	10, 11
Rear Panel Assembly	
2 Manual Doors	12, 13
Left Load Door Assembly	
Manual Door	14
Right Load Door Assembly	
Manual Door	15
Left Load Door Assembly	
Automatic Door	16, 17
Right Load Door Assembly	
Automatic Door	18, 19
End of Cycle Light Assembly	20
Pneumatic Assembly	
Automatic Door	21
Magnetic Door Switch Assembly	22
Left Control Door Assembly	
For 1 Door or 2 Door Models	23
Front Control Door Assembly	24, 25
Right Rear Control Door Assembly	
2 Door Models ONLY	26, 27
Side Panel Assemblies	28

Left Hand Electrical Control Panel Assembly	
For Models Mfd. with Thermal-Magnetic Protection ONLY	29, 30
Right Hand Electrical Control Panel	31, 32
Base Main Electrical Junction Box Assembly	
For Models Mfd. with Thermal-Magnetic Protection ONLY	33, 34
Idle Shaft and Basket (Tumbler) Assembly	35
Basket (Tumbler) Retaining Wheel Assembly	36
Lint Drawer/Basket Assembly	37
Temperature Sensor Bracket Assembly	38
Basket (Tumbler) Drive Shaft Assembly	39, 40
Tilt Switch Assembly	41
Tilt Piston Assembly	
2-Way Tilt	42
Post Assembly	43
Drive Motor Assembly	44
Fan Motor Assembly	
For Gas Models ONLY	45, 46
Fan Motor Assembly	
For Steam Models ONLY	47, 48
Front Gas Burner Assembly	49, 50
Rear Gas Burner Assembly	51, 52
Sail Switch Assembly	53
Direct Spark Ignition (DSI) Module Assembly	54
Gas Piping Assembly	55, 56, 57
Steam Coil Assembly	58, 59
Tilting Steam Piping Assembly	60, 61, 62
Pneumatic Valve Assembly 1 Auto Door/ 2-Way Tilt w/ Optional Sprinkler	63, 64
Pneumatic Valve Assembly 2 Auto Door/ 1-Way Tilt w/ Optional Sprinkler	65, 66
Air Jet Assembly	67
Optional Sprinkler Control Panel	68, 69
Optional Sprinkler Assembly	70, 71, 72
Optional Sprinkler Temperature Probe Junction Box Assembly	73
Base Panel Assemblies	74, 75

Guard Panel Assemblies

2-Way Tilt 76, 77

Guard Panel Assemblies

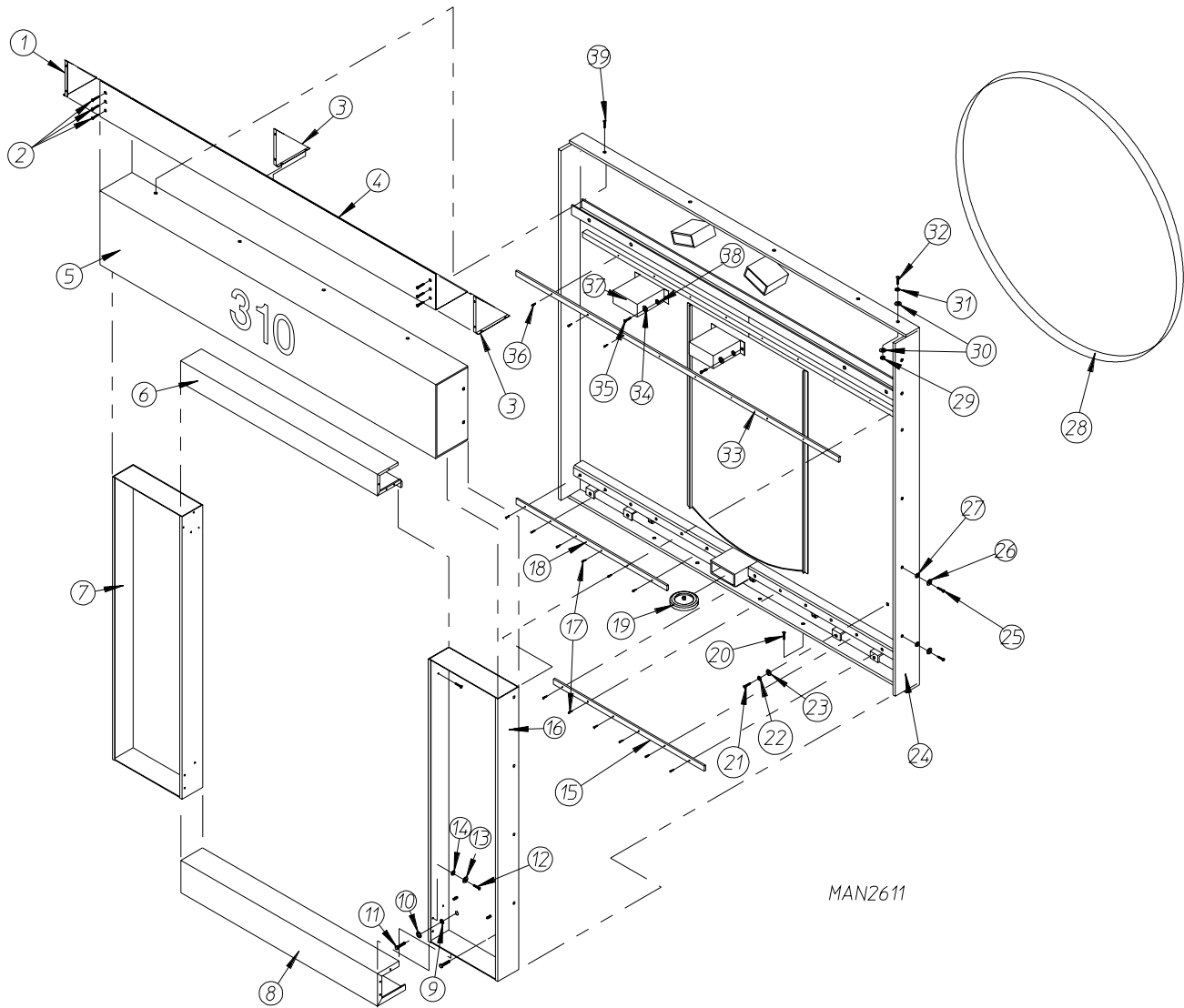
1-Way Tilt 78

Selector Switch, Nameplate, and Mounting Base Chart 79

Right Rear/Front Control Panel 80

Right Hand Electrical Control Panel Chart 81

Right Hand Base Electrical Panel and Left Hand Electrical Panel Chart 82

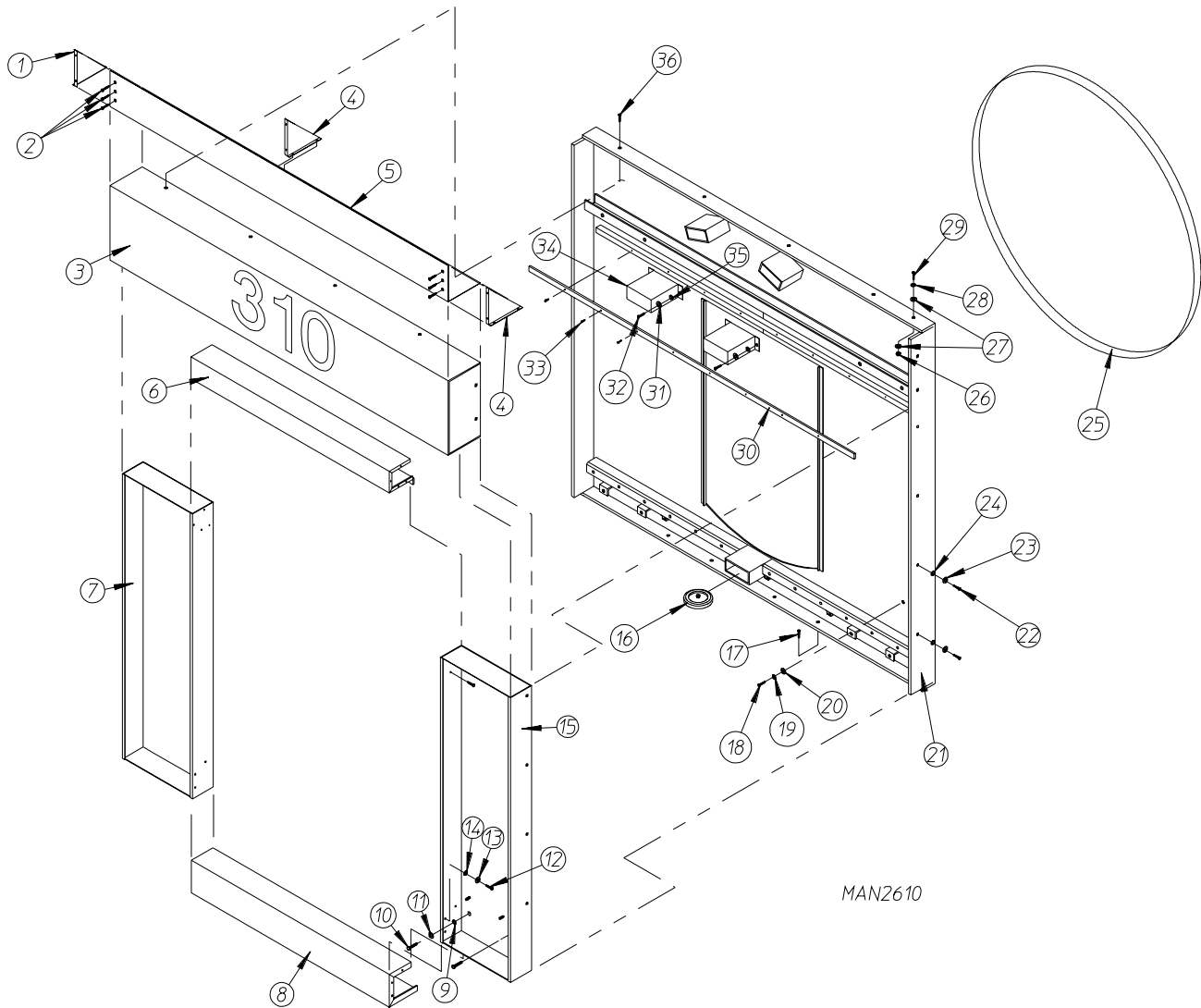


<u>Illus. No.</u>	<u>Part No.</u>	<u>Qty.</u>	<u>Description</u>
1*	332680	1	Left Gusset (for gas models Only)
2	150522	15	1/4-20 x 1/2" Hex Washer Head Machine Screw (for gas models Only)
3*	332681	2	Right Gusset (for gas models Only)
4*	332679	1	Top Front Panel (for gas models Only)
5*	826033	1	Upper Guard

Automatic Door

<u>Illus. No.</u>	<u>Part No.</u>	<u>Qty.</u>	<u>Description</u>
6*	821239	1	Middle Guard
7*	881117	1	Left Control Cabinet
8*	821285	1	Bottom Guard
9	153001	8	5/16" Flat Washer
10	153002	8	5/16" Lock Washer
11	150501	8	5/16-18 x 3/4" Hex Head Machine Bolt
12	150510	12	1/4-20 x 3/4" Hex Head Machine Bolt
13	153007	12	1/4" Lock Washer
14	153018	12	1/4" Flat Washer
15	170364	1	Bottom Door Track
16*	881116	1	Right Control Cabinet
17	154312	14	#10-32 x 3/4" Socket Head Cap Screw
18	170364	1	Bottom Door Track
19	-----	-	Basket (tumbler) Retaining Wheel (refer to Basket [Tumbler] Retaining Wheel Assembly on page 36)
20	150523	5	1/4-20 x 3/4" Hex Washer Machine Bolt
21	150617	8	3/8-16 x 1" Hex Head Bolt
22	153005	8	3/8" Lock Washer
23	153004	8	3/8" Flat Washer
24*	881109	1	Front Panel Assembly
25	150501	12	5/16-18 x 3/4" Hex Head Machine Bolt
26	153002	12	5/16" Lock Washer
27	153001	12	5/16" Flat Washer
28	116009	180	Felt (sold by the inch)
	401010	1	Construction Mastic
29	152011	4	1/2-13 Hex Nut
30	153050	8	1/2 x 1-1/16" Flat Washer
31	153026	4	1/2" Lock Washer
32	150605	4	1/2-13 x 1-1/2" Hex Head Bolt
33	170365	1	Upper Door Track
34	153007	12	1/4" Lock Washer
35	152002	12	1/4-20 Hex Nut
36	154312	15	#10-32 x 3/4" Socket Head Cap Screw
37*	821244	2	Basket (tumbler) Retaining Wheel Cover
38	153018	12	1/4" Flat Washer
39	150523	5	1/4-20 x 3/4" Hex Washer Machine Bolt

* Specify color when ordering.

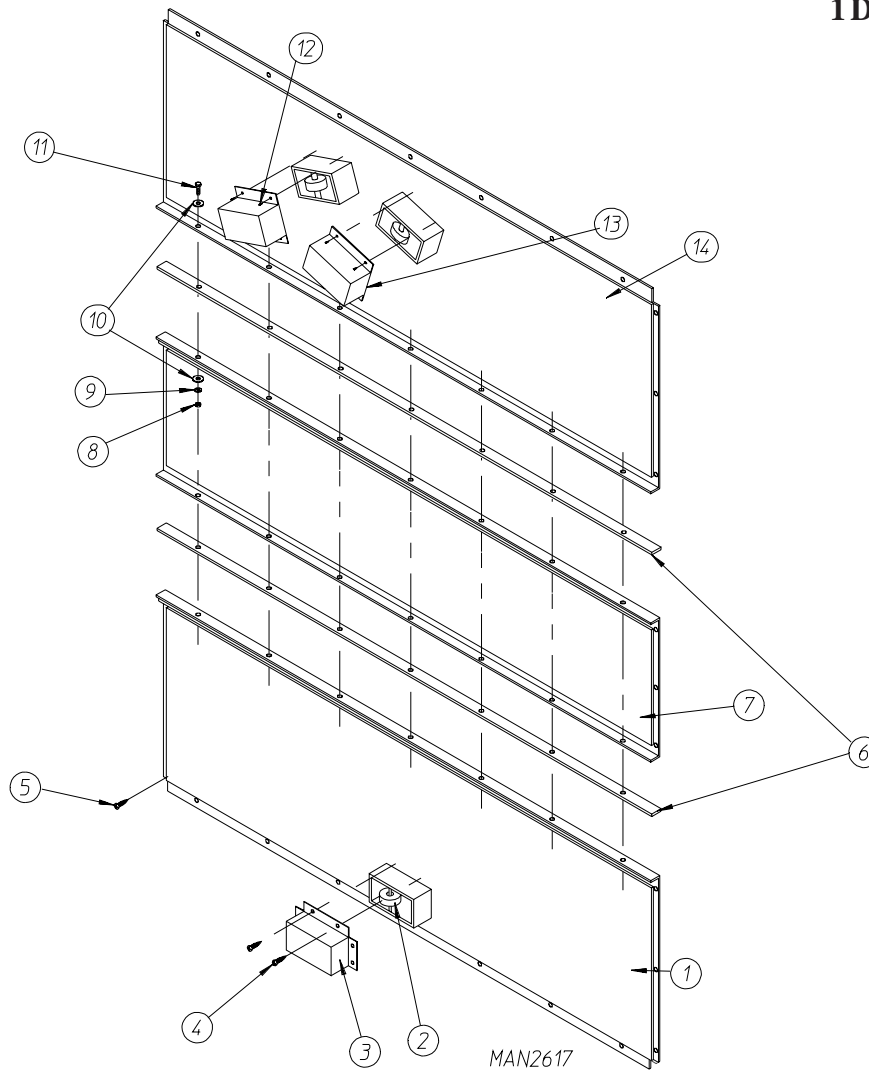


<u>Illus. No.</u>	<u>Part No.</u>	<u>Qty.</u>	<u>Description</u>
1*	332680	1	Left Gusset (for gas models Only)
2	150522	15	1/4-20 x 1/2" Hex Washer Head Machine Screw (for gas models Only)
3*	826033	1	Upper Guard
4*	332681	2	Right Gusset (for gas models Only)
5*	332679	1	Top Front Panel (for gas models Only)

Manual Door

<u>Illus. No.</u>	<u>Part No.</u>	<u>Qty.</u>	<u>Description</u>
6*	821239	1	Middle Guard
7*	881117	1	Left Control Cabinet
8*	821285	1	Bottom Guard
9	153001	8	5/16" Flat Washer
10	150501	8	5/16-18 x 3/4" Hex Head Machine Bolt
11	153002	8	5/16" Lock Washer
12	150510	12	1/4-20 x 3/4" Hex Head Machine Bolt
13	153007	12	1/4" Lock Washer
14	153018	12	1/4" Flat Washer
15*	881116	1	Right Control Cabinet
16	-----	-	Basket (tumbler) Retaining Wheel (refer to Basket [Tumbler] Retaining Wheel Assembly on page 36)
17	150523	5	1/4-20 x 3/4" Hex Washer Machine Bolt
18	150617	8	3/8-16 x 1" Hex Head Bolt
19	153005	8	3/8" Lock Washer
20	153004	8	3/8" Flat Washer
21*	881108	1	Front Panel
22	150501	12	5/16-18 x 3/4" Hex Head Machine Bolt
23	153002	12	5/16" Lock Washer
24	153001	12	5/16" Flat Washer
25	116009	180	Felt (sold by the inch)
	401010	1	Construction Mastic
26	152011	4	1/2-13 Hex Nut
27	153050	8	1/2 x 1-1/16" Flat Washer
28	153026	4	1/2" Lock Washer
29	150605	4	1/2-13 x 1-1/2" Hex Head Bolt
30	170365	1	Upper Door Track
31	153007	12	1/4" Lock Washer
32	152002	12	1/4-20 Hex Nut
33	154312	15	#10-32 x 3/4" Socket Head Cap Screw
34*	821244	2	Basket (tumbler) Retaining Wheel Cover
35	153018	12	1/4" Flat Washer
36	150523	5	1/4-20 x 3/4" Hex Washer Machine Bolt

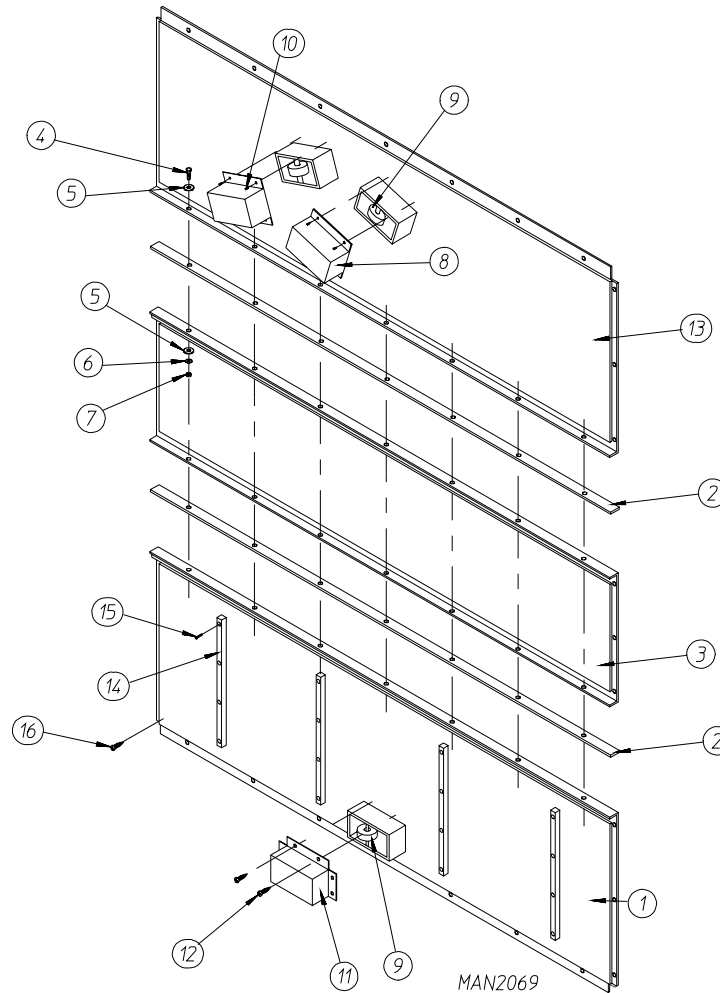
* Specify color when ordering.



Illus. No.	Part No.	Qty.	Description
1*	821310	1	Bottom Panel Assembly
2	-----	-	Basket (tumbler) Retaining Wheel (refer to Basket [tumbler] Retaining Wheel Assembly on page 36)
3*	332787	1	Basket (tumbler) Retaining Wheel Guard
4	150301	6	#8-18 x 7/16" Phillips Pan Head TEK Screw
5	150523	32	1/4-20 x 3/4" Hex Washer Machine Bolt
6	332571	2	Rear Panel Reinforcement
7*	821312	1	Middle Back Panel Assembly
8	152004	14	5/16-18 Hex Nut
9	153002	14	5/16" Lock Washer
10	153001	28	5/16" Flat Washer
11	150625	14	5/16-18 x 1-1/4" Hex Head Bolt
12*	150301	8	#8-18 x 7/16" Phillips Pan Head TEK Screw
13*	821244	2	Basket (tumbler) Retaining Wheel Cover
14*	881118	1	Top Back Panel Assembly

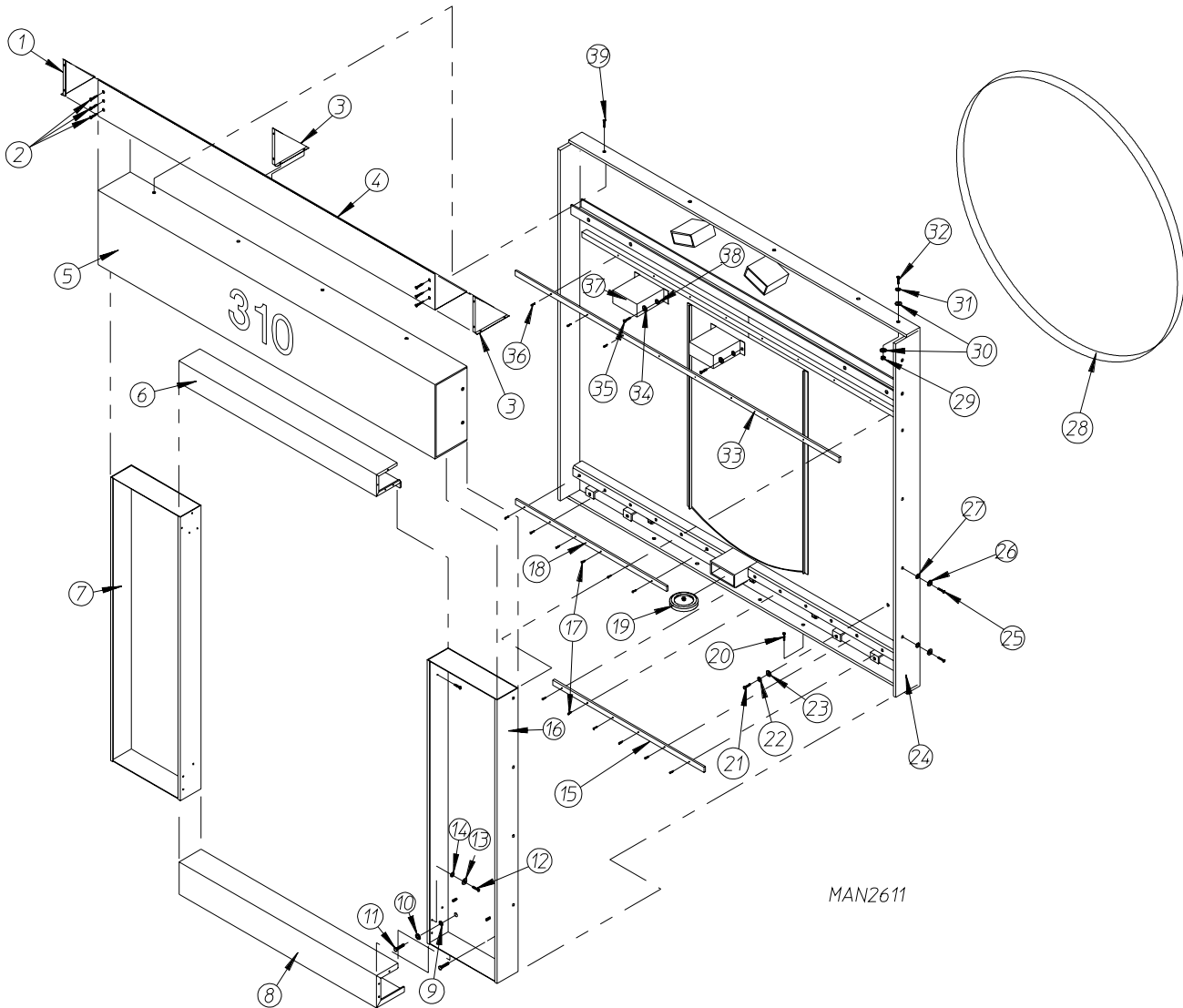
* Specify color when ordering.

1 Door/2-Way Tilt



<u>Illus. No.</u>	<u>Part No.</u>	<u>Qty.</u>	<u>Description</u>
1*	821310	1	Bottom Back Panel Assembly
2	332571	2	Rear Panel Reinforcement
3*	821312	1	Middle Back Panel Assembly
4	150625	14	5/16-18 x 1-1/4" Hex Head Machine Bolt
5	153001	28	5/16" Flat Washer
6	153002	14	5/16" Lock Washer
7	152004	14	5/16-18 Hex Nut
8*	821244	2	Basket (tumbler) Retaining Wheel Cover
9	-----	3	Basket (tumbler) Retaining Wheel (refer to Basket [Tumbler] Retaining Wheel Assembly on page 36)
10	150301	8	#8-18 x 7/16" Phillips Pan Head TEK Screw
11*	332787	1	Basket (tumbler) Retaining Wheel Guard
12	150301	6	#8-18 x 7/16" Phillips Pan Head TEK Screw
13*	881118	1	Top Back Panel Assembly
14	170346	4	Nylon Guide
15	150309	16	#10-16 x 1/2" Phillips Round Head Crimptite Screw
16	150523	32	1/4-20 x 3/4" Hex Washer Machine Bolt

* Specify color when ordering.

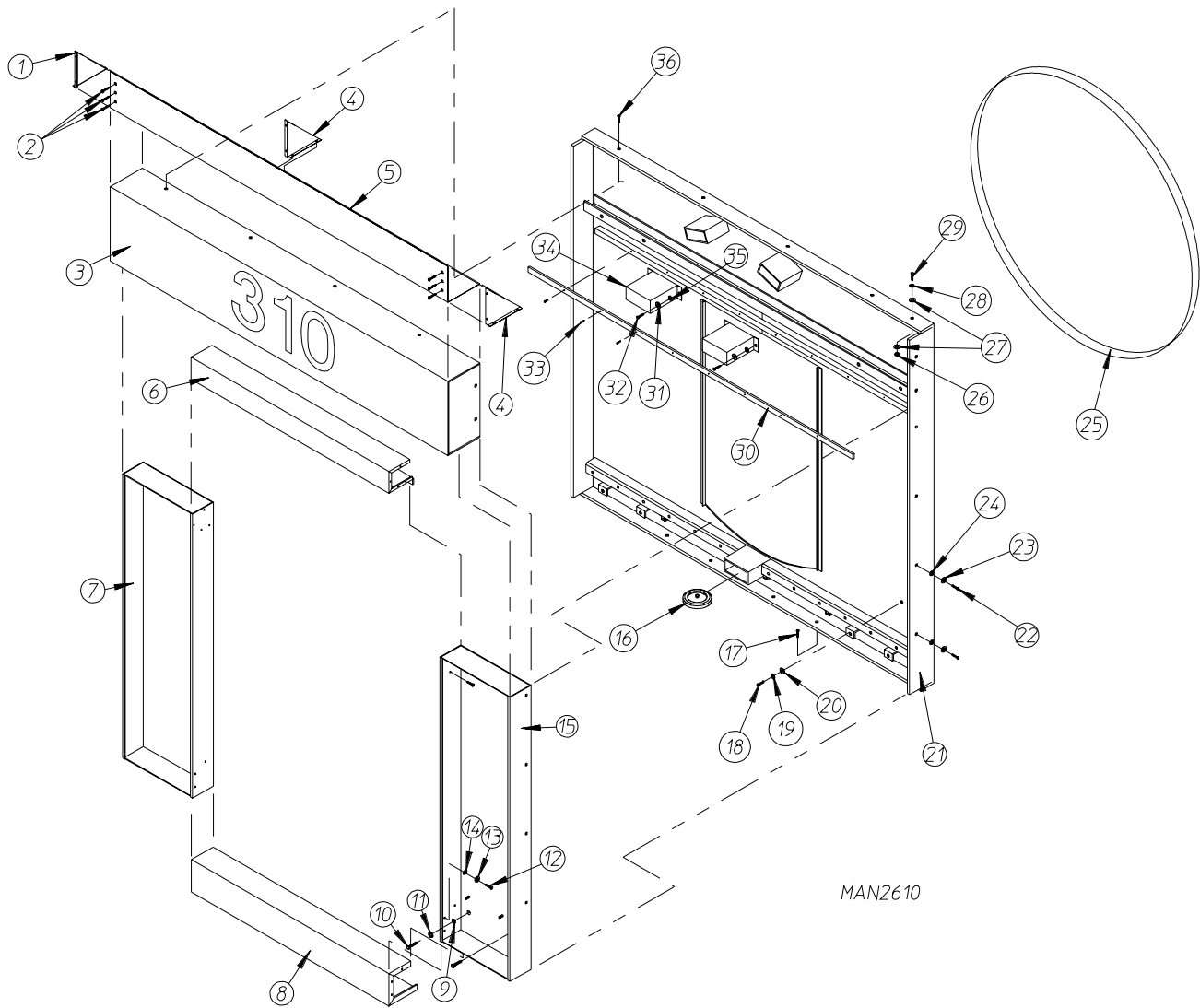


<u>Illus. No.</u>	<u>Part No.</u>	<u>Qty.</u>	<u>Description</u>
1*	332680	1	Left Gusset (for gas models Only)
2	150522	15	1/4-20 x 1/2" Hex Washer Head Machine Screw (for gas models Only)
3*	332681	2	Right Gusset (for gas models Only)
4*	332679	1	Top Front Panel (for gas models Only)
5*	826033	1	Upper Guard

2 Automatic Doors

<u>Illus. No.</u>	<u>Part No.</u>	<u>Qty.</u>	<u>Description</u>
6*	821239	1	Middle Guard
7*	881117	1	Left Control Cabinet
8*	821285	1	Bottom Guard
9	153001	8	5/16" Flat Washer
10	153002	8	5/16" Lock Washer
11	150501	8	5/16-18 x 3/4" Hex Head Machine Bolt
12	150510	12	1/4-20 x 3/4" Hex Head Machine Bolt
13	153007	12	1/4" Lock Washer
14	153018	12	1/4" Flat Washer
15	170364	1	Bottom Door Track
16*	881116	1	Right Control Cabinet
17	154312	14	#10-32 x 3/4" Socket Head Cap Screw
18	170364	1	Bottom Door Track
19	-----	-	Basket (tumbler) Retaining Wheel (refer to Basket [Tumbler] Retaining Wheel Assembly on page 36)
20	150523	5	1/4-20 x 3/4" Hex Washer Machine Bolt
21	150617	8	3/8-16 x 1" Hex Head Bolt
22	153005	8	3/8" Lock Washer
23	153004	8	3/8" Flat Washer
24*	881109	1	Front Panel
25	150501	12	5/16-18 x 3/4" Hex Head Machine Bolt
26	153002	12	5/16" Lock Washer
27	153001	12	5/16" Flat Washer
28	116009	180	Felt (sold by the inch)
	401010	1	Construction Mastic
29	152011	4	1/2-13 Hex Nut
30	153050	8	1/2 x 1-1/16" Flat Washer
31	153026	4	1/2" Lock Washer
32	150605	4	1/2-13 x 1-1/2" Hex Head Bolt
33	170365	1	Upper Door Track
34	153007	12	1/4" Lock Washer
35	152002	12	1/4-20 Hex Nut
36	154312	15	#10-32 x 3/4" Socket Head Cap Screw
37*	821244	2	Basket (tumbler) Retaining Wheel Cover
38	153018	12	1/4" Flat Washer
39	150523	5	1/4-20 x 3/4" Hex Washer Machine Bolt

* Specify color when ordering.

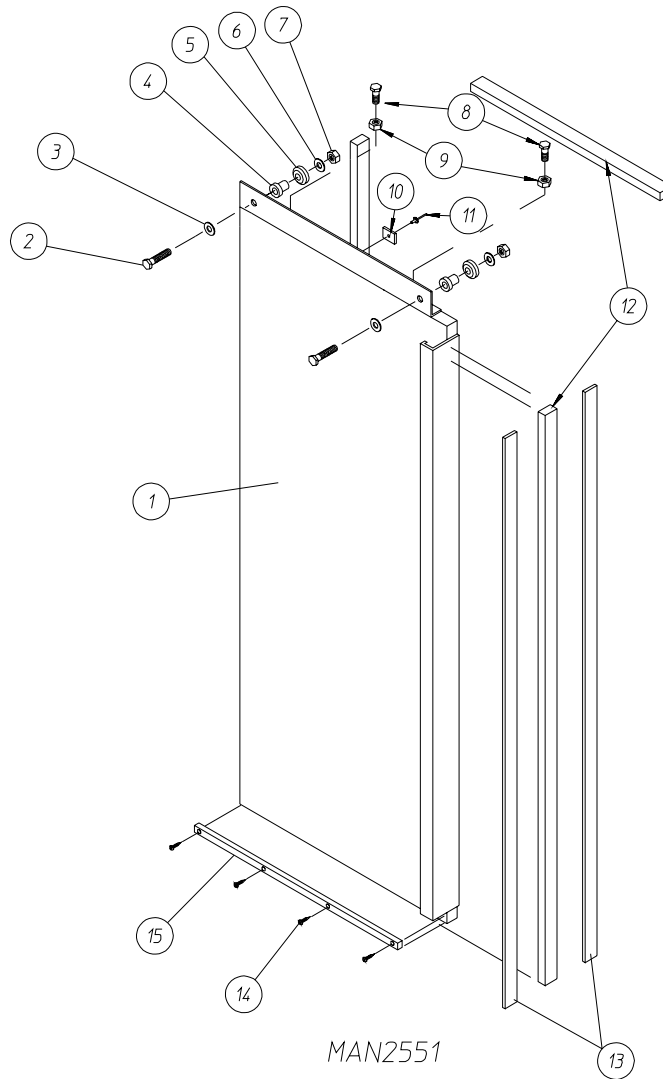


<u>Illus. No.</u>	<u>Part No.</u>	<u>Qty.</u>	<u>Description</u>
1*	332680	1	Left Gusset (for gas models Only)
2	150522	15	1/4-20 x 1/2" Hex Washer Head Machine Screw (for gas models Only)
3*	826033	1	Upper Guard
4*	332681	2	Right Gusset (for gas models Only)
5*	332679	1	Top Front Panel (for gas models Only)

2 Manual Doors

<u>Illus. No.</u>	<u>Part No.</u>	<u>Qty.</u>	<u>Description</u>
6*	821239	1	Middle Guard
7*	881117	1	Left Control Cabinet
8*	821285	1	Bottom Guard
9	153001	8	5/16" Flat Washer
10	150501	8	5/16-18 x 3/4" Hex Head Machine Bolt
11	153002	8	5/16" Lock Washer
12	150510	12	1/4-20 x 3/4" Hex Head Machine Bolt
13	153007	12	1/4" Lock Washer
14	153018	12	1/4" Flat Washer
15*	881116	1	Right Control Cabinet
16	-----	-	Basket (tumbler) Retaining Wheel (refer to Basket [Tumbler] Retaining Wheel Assembly on page 36)
17	150523	5	1/4-20 x 3/4" Hex Washer Machine Bolt
18	150617	8	3/8-16 x 1" Hex Head Bolt
19	153005	8	3/8" Lock Washer
20	153004	8	3/8" Flat Washer
21*	881108	1	Front Panel
22	150501	12	5/16-18 x 3/4" Hex Head Machine Bolt
23	153002	12	5/16" Lock Washer
24	153001	12	5/16" Flat Washer
25	116009	180	Felt (sold by the inch)
	401010	1	Construction Mastic
26	152011	4	1/2-13 Hex Nut
27	153050	8	1/2 x 1-1/16" Flat Washer
28	153026	4	1/2" Lock Washer
29	150605	4	1/2-13 x 1-1/2" Hex Head Bolt
30	170365	1	Upper Door Track
31	153007	12	1/4" Lock Washer
32	152002	12	1/4-20 Hex Nut
33	154312	15	#10-32 x 3/4" Socket Head Cap Screw
34*	821244	2	Basket (tumbler) Retaining Wheel Cover
35	153018	12	1/4" Flat Washer
36	150523	5	1/4-20 x 3/4" Hex Washer Machine Bolt

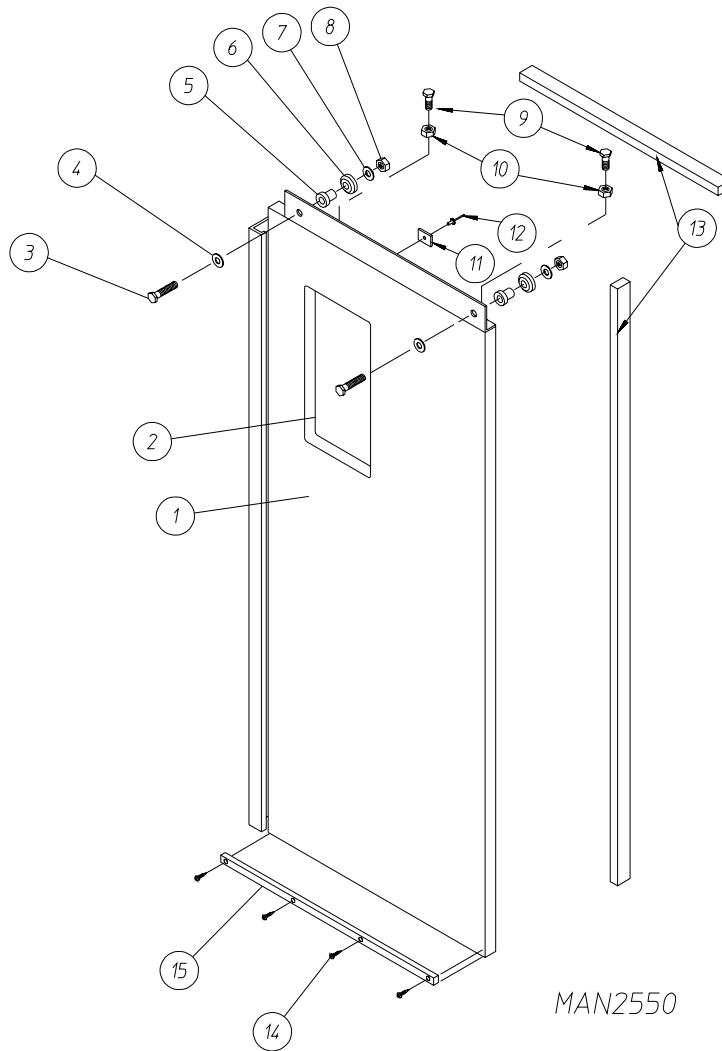
* Specify color when ordering.



<u>Illus. No.</u>	<u>Part No.</u>	<u>Qty.</u>	<u>Description</u>
1*	821728	1	Left Manual Load Door Assembly Complete (includes illus. nos. 1 through 15)
2	150112	2	1/4-20 x 1-1/4" Hex Head Machine Screw
3	153018	2	1/4" Flat Washer
4	170367	2	Stainless Steel Stationary Bushing
5	170366	2	Stainless Steel Sealed Wheel
6	153007	4	1/4" Lock Washer
7	152002	2	1/4-20 Hex Nut
8	150512	2	1/4-20 x 1/2" Hex Head Machine Bolt
9	152002	2	1/4-20 Hex Nut
10	102102	1	Door Magnet
11	154200	1	5/32" Pop Rivet
12	115995	125	Felt Gasket (sold by the inch)
13	102111	2	Door Magnet
14	150301	4	#8-18 x 7/16" Phillips Pan Head TEK Screw
15	170357	1	Lower Door Slide

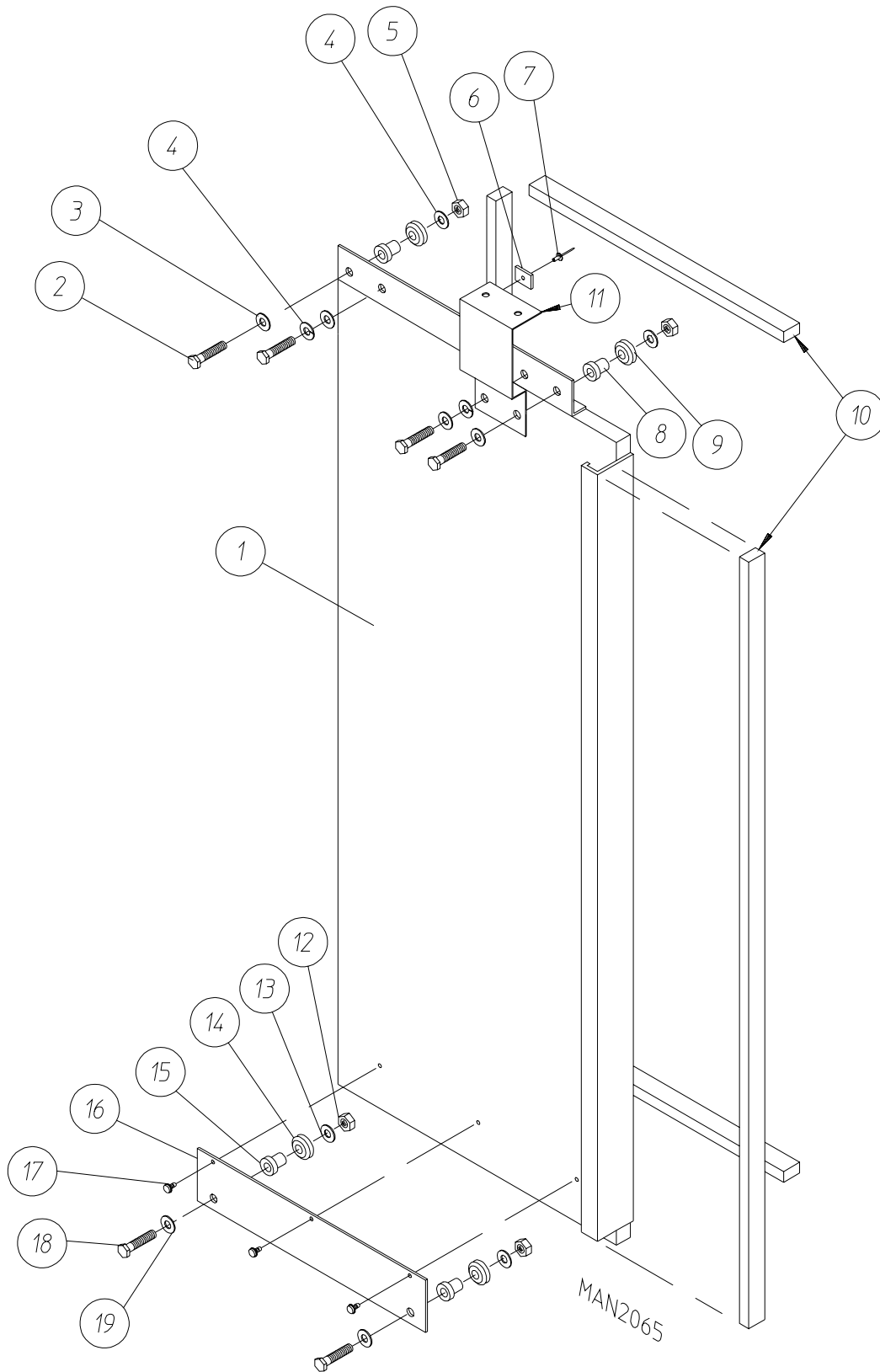
* Specify color when ordering.

Manual Door



<u>Illus. No.</u>	<u>Part No.</u>	<u>Qty.</u>	<u>Description</u>
1*	821727	1	Right Manual Load Door Assembly Complete (includes illus. nos. 1 through 15)
2	102215	1	Door Window
	170730	-	Door Window Adhesive (10.3 oz. cartridge)
3	150112	2	1/4-20 x 1-1/4" Hex Head Machine Screw
4	153018	2	1/4" Flat Washer
5	170367	2	Stainless Steel Stationary Bushing
6	170366	2	Stainless Steel Sealed Wheel
7	153007	2	1/4" Lock Washer
8	152002	2	1/4-20 Hex Nut
9	150512	2	1/4-20 x 1/2" Hex Head Machine Bolt
10	152002	2	1/4-20 Hex Nut
11	102102	1	Door Magnet
12	154200	1	5/32" Pop Rivet
13	115995	80	Felt Gasket (sold by the inch)
14	150301	4	#8-18 x 7/16" Phillips Pan Head TEK Screw
15	170357	1	Lower Door Slide

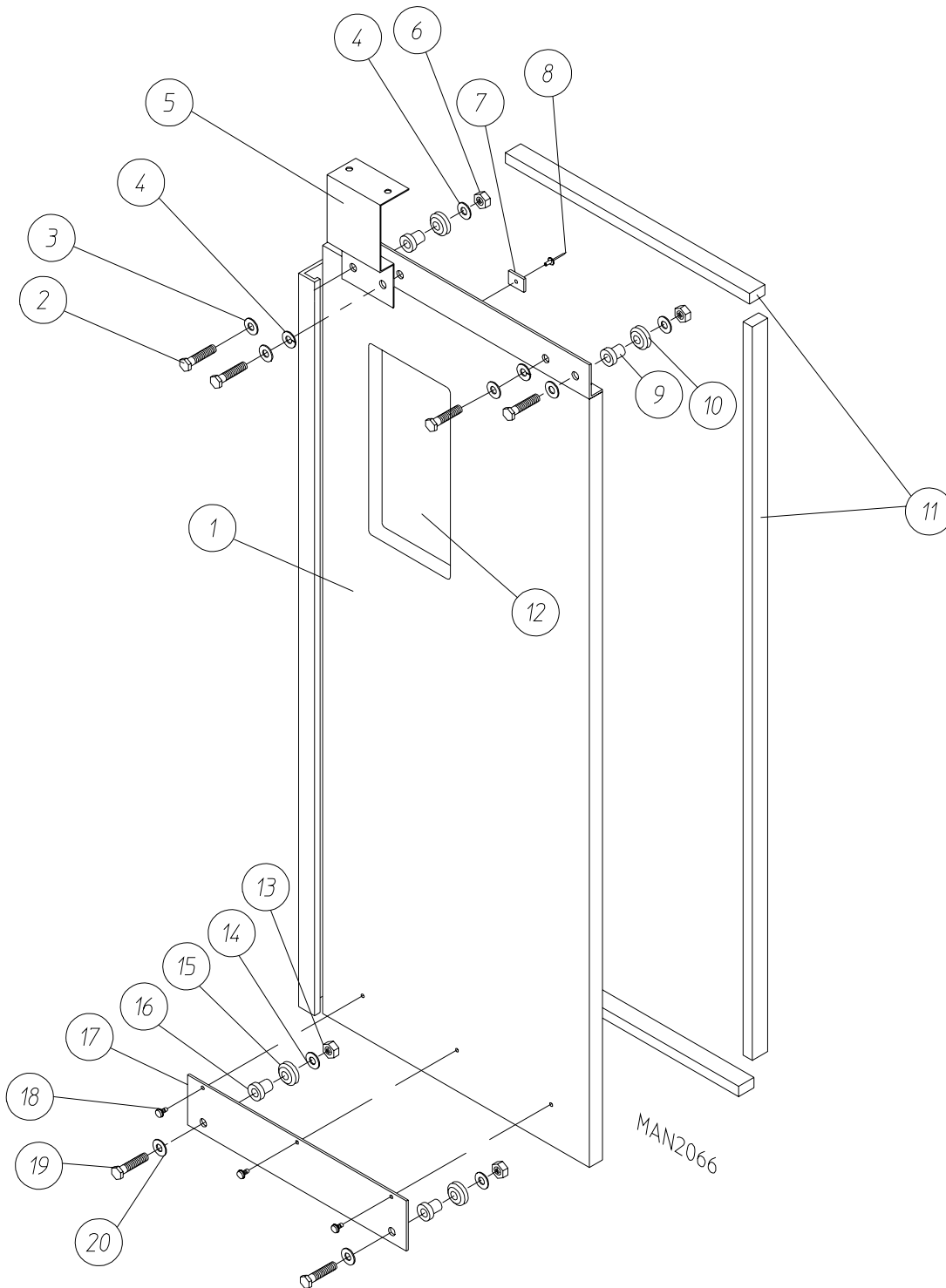
* Specify color when ordering.



Automatic Door

<u>Illus. No.</u>	<u>Part No.</u>	<u>Qty.</u>	<u>Description</u>
1*	881112	1	Left Automatic Load Door Assembly Complete (includes illus. nos. 1 through 11)
	881106	1	Left Automatic Load Door ONLY
2	150112	4	1/4-20 x 1-1/4" Hex Head Machine Screw
3	153018	4	1/4" Flat Washer
4	153007	4	1/4" Lock Washer
5	152002	2	1/4-20 Hex Nut
6	102102	1	Door Magnet
7	154200	1	5/32" Pop Rivet
8	170367	2	Stainless Steel Stationary Bushing
9	170366	2	Stainless Steel Sealed Wheel
10	115995	125	Felt Gasket (sold by the inch)
11*	334134	1	Automatic Door Bracket
12	152002	2	1/4-20 Hex Nut
13	153007	2	1/4" Lock Washer
14	170366	2	Stainless Steel Sealed Wheel
15	170367	2	Stainless Steel Stationary Bushing
16*	881133	1	Lower Trolley Assembly Complete (includes illus. nos. 12 through 16, 18, and 19)
	334123	1	Lower Trolley ONLY
17	150301	3	#8-18 x 7/16" Phillips Pan Head TEK Screw
18	150112	2	1/4-20 x 1-1/4" Hex Head Machine Screw
19	153018	2	1/4" Flat Washer

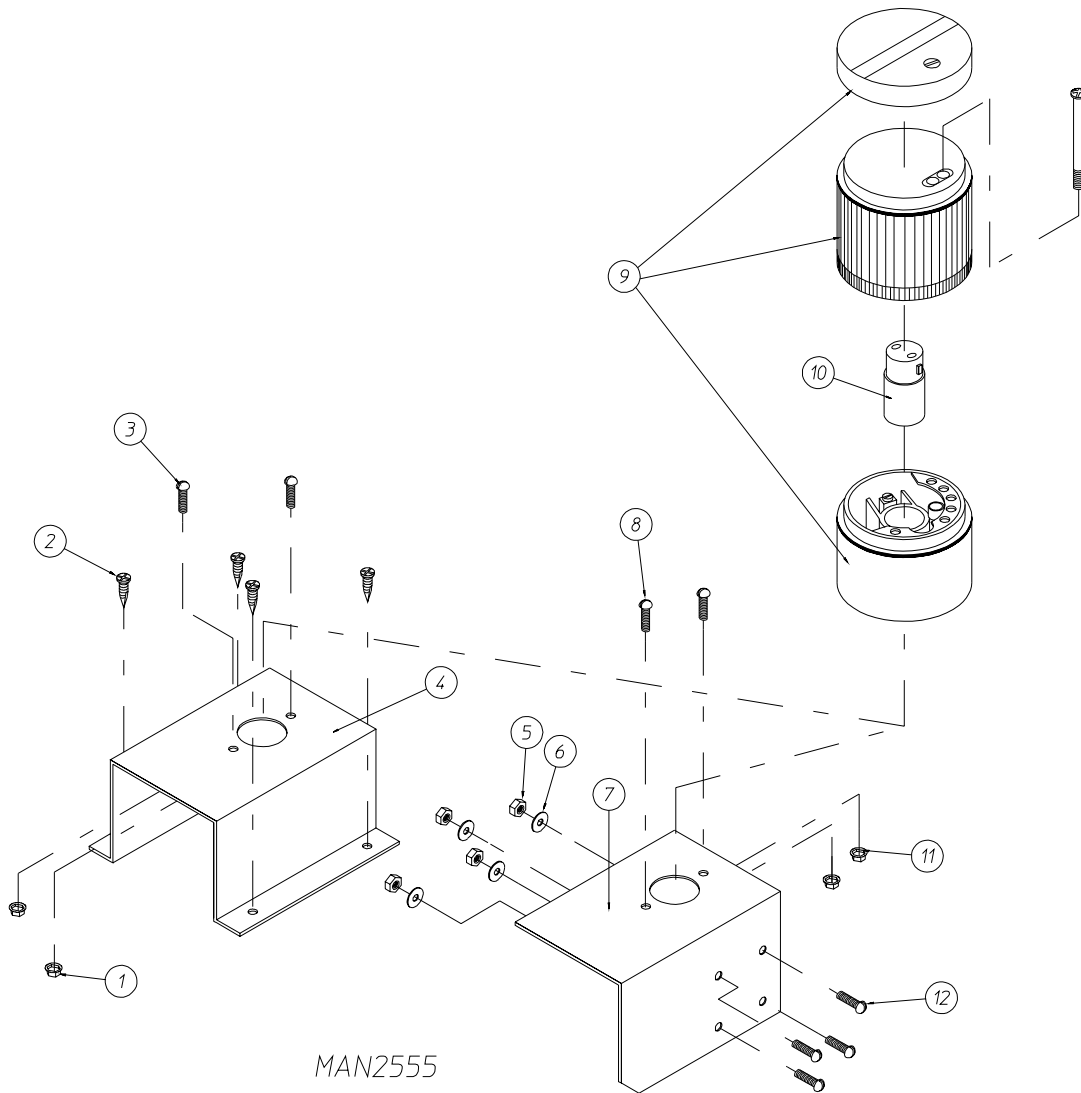
* Specify color when ordering.



Automatic Door

<u>Illus. No.</u>	<u>Part No.</u>	<u>Qty.</u>	<u>Description</u>
1*	881113	1	Right Automatic Load Door Assembly Complete (includes illus. nos. 1 through 12)
	881107	1	Right Automatic Load Door ONLY
2	150112	4	1/4-20 x 1-1/4" Hex Head Machine Screw
3	153018	4	1/4" Flat Washer
4	153007	4	1/4" Lock Washer
5*	334134	1	Automatic Door Bracket
6	152002	2	1/4-20 Hex Nut
7	102102	1	Door Magnet
8	154200	1	5/32" Pop Rivet
9	170367	2	Stainless Steel Stationary Bushing
10	170366	2	Stainless Steel Sealed Wheel
11	115995	80	Felt Gasket (sold by the inch)
12	102215	1	Door Window
	170730	-	Door Window Adhesive (10.3 oz. cartridge)
13	152002	2	1/4-20 Hex Nut
14	153007	2	1/4" Lock Washer
15	170366	2	Stainless Steel Sealed Wheel
16	170367	2	Stainless Steel Stationary Bushing
17*	881133	1	Lower Trolley Assembly Complete (includes illus. nos. 13 through 17, 19, and 20)
	334123	1	Lower Trolley ONLY
18	150301	3	#8-18 x 7/16" Phillips Pan Head TEK Screw
19	152112	2	1/4-20 x 1-1/4" Hex Head Machine Screw
20	153018	2	1/4" Flat Washer

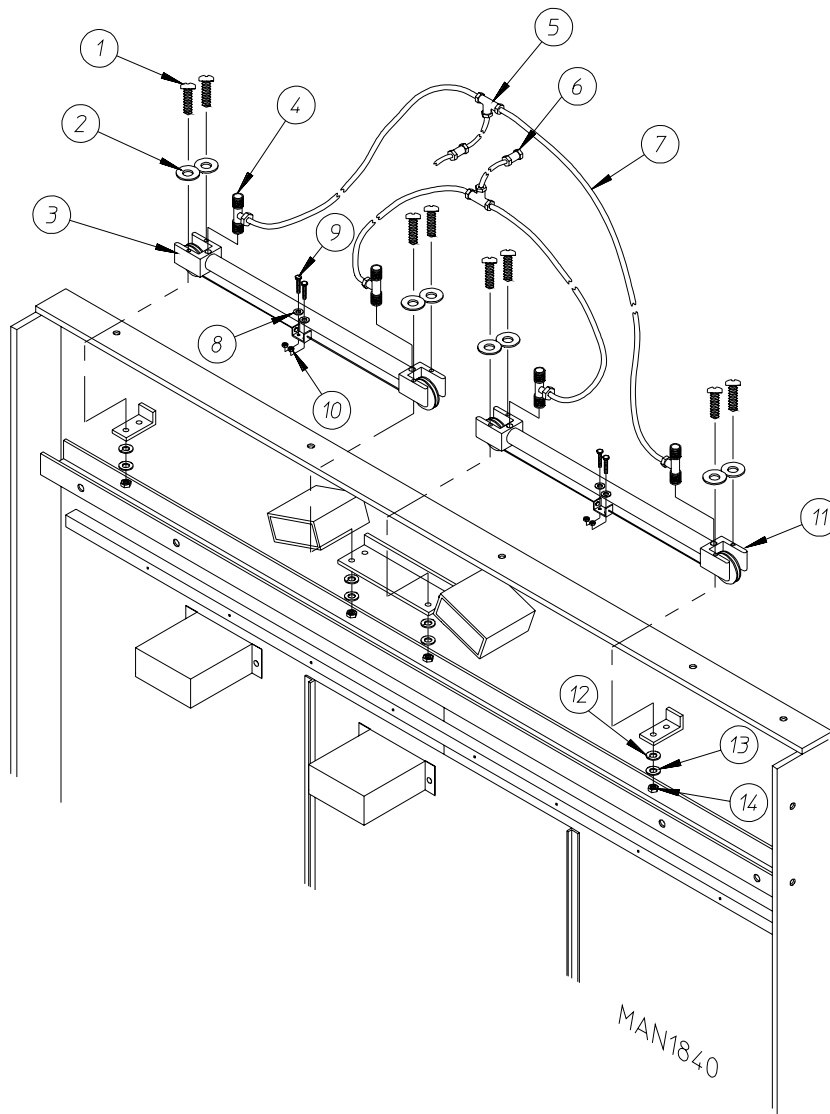
* Specify color when ordering.



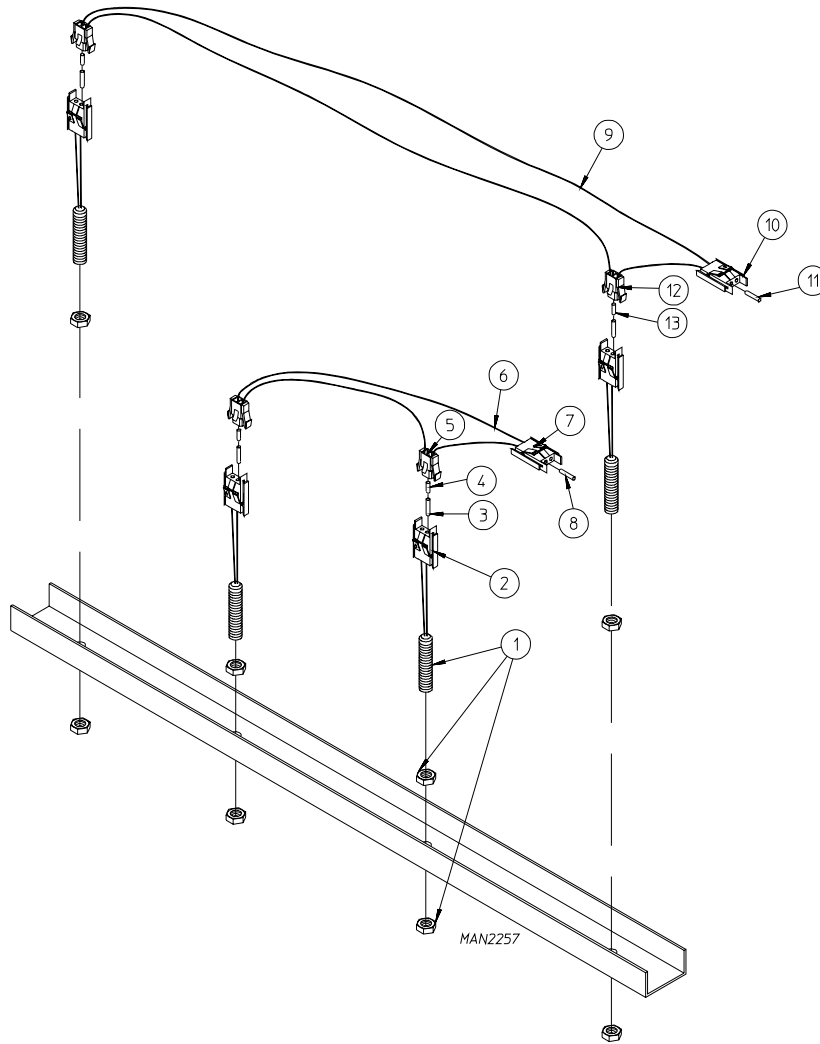
<u>Illus. No.</u>	<u>Part No.</u>	<u>Qty.</u>	<u>Description</u>
1	151001	2	#8-32 Pal Nut
2	150415	4	#10-16 x 1/2" Phillips Round Head Crimptite Screw
3	150108	2	#8-32 x 1/2" Phillips Pan Head Machine Screw
4*	821480	1	Cycle Light Bracket (for steam models Only)
5	152001	4	#8-32 Hex Nut
6	153012	4	#8 Star Washer
7*	332850	1	Cycle Light Bracket (for gas models Only)
8	150108	2	#8-32 x 1/2" Phillips Pan Head Machine Screw
9	123222	1	"Orange" Cycle Light
10	123221	1	Bulb - 24 VAC
11	151001	2	#8-32 Pal Nut
12	150108	4	#8-32 x 1/2" Phillips Pan Head Machine Screw

* Specify color when ordering.

Automatic Door

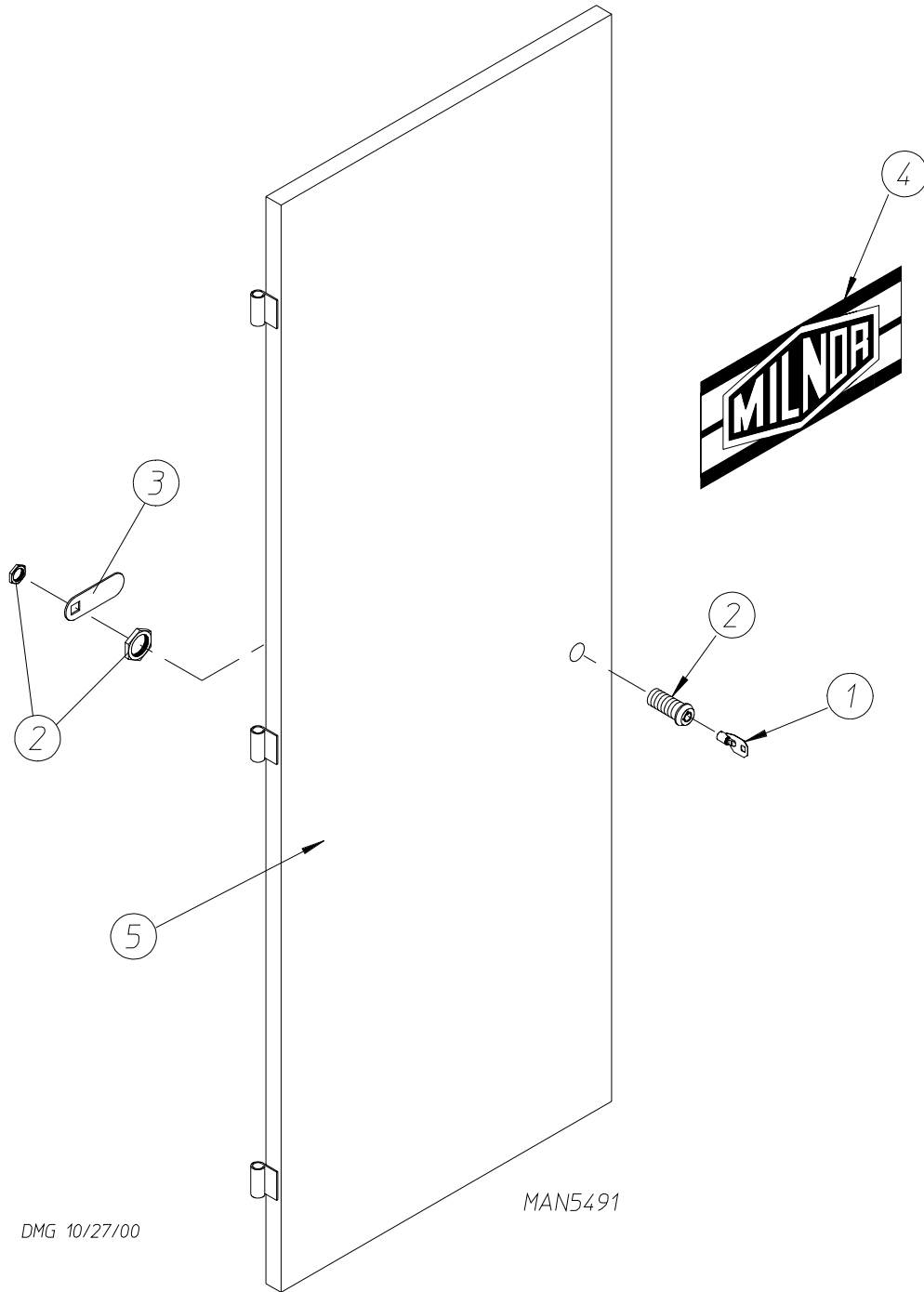


<u>Illus. No.</u>	<u>Part No.</u>	<u>Qty.</u>	<u>Description</u>
1	150308	8	#8-32 x 2-1/2" Phillips Pan Head Machine Screw
2	153000	8	#8 Flat Washer
3	100431	1	Cable Cylinder
4	128978	4	1/8" N.P.T. x 1/4" Tube Flow Control
5	143156	2	1/4" Poly Tee
6	143154	2	1/4" Brass Poly Connector
7	143110	38	1/4" Poly-Flo Tubing (sold by the foot)
8	153012	4	#8 Star Washer
9	150103	4	#8-32 x 3/4" Phillips Round Head Machine Screw
10	152001	4	#8-32 Hex Nut
11	100431	1	Cable Cylinder
12	153000	8	#8 Flat Washer
13	153012	8	#8 Star Washer
14	152001	8	#8-32 Hex Nut



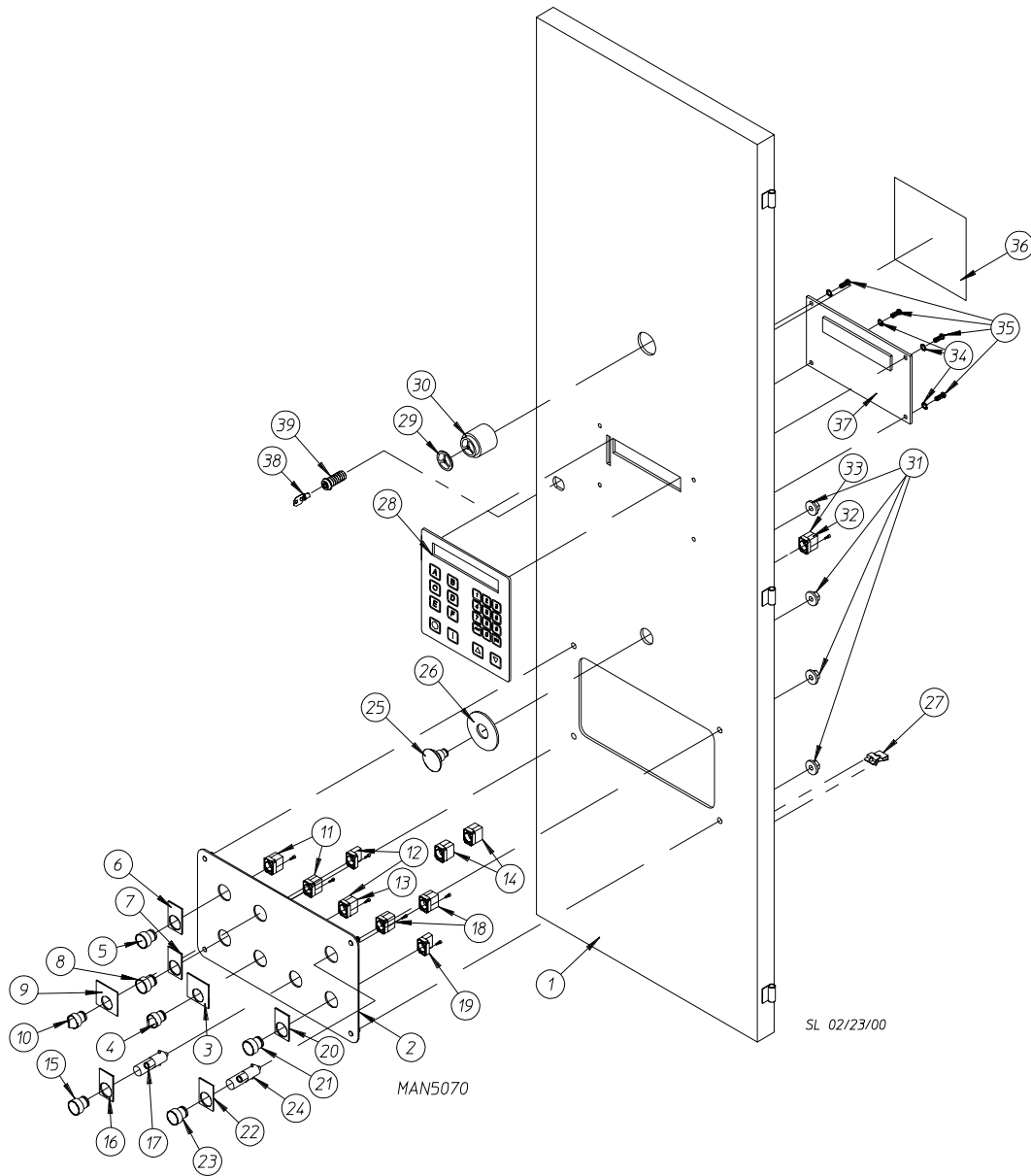
<u>Illus. No.</u>	<u>Part No.</u>	<u>Qty.</u>	<u>Description</u>
1	826514	4	Magnetic Door Switch Assembly with Nuts (includes illus. nos. 1 through 3)
2	122598	1	2-Pin Connector (male)
3	137028	2	Pin
4	137021	4	Microprocessor Socket
5	122599	2	2-Pin Socket Connector (female)
6	881240	1	Door Switch "Closed Position" Harness (includes illus. nos. 4 through 8)
7	122598	1	2-Pin Connector (male)
8	137028	2	Pin
9	881241	1	Door Switch "Open Position" Harness (includes illus. nos. 9 through 13)
10	122598	1	2-Pin Connector (male)
11	137028	2	Pin
12	122599	2	2-Pin Socket Connector (female)
13	137021	4	Microprocessor Socket

For 1 Door or 2 Door Models



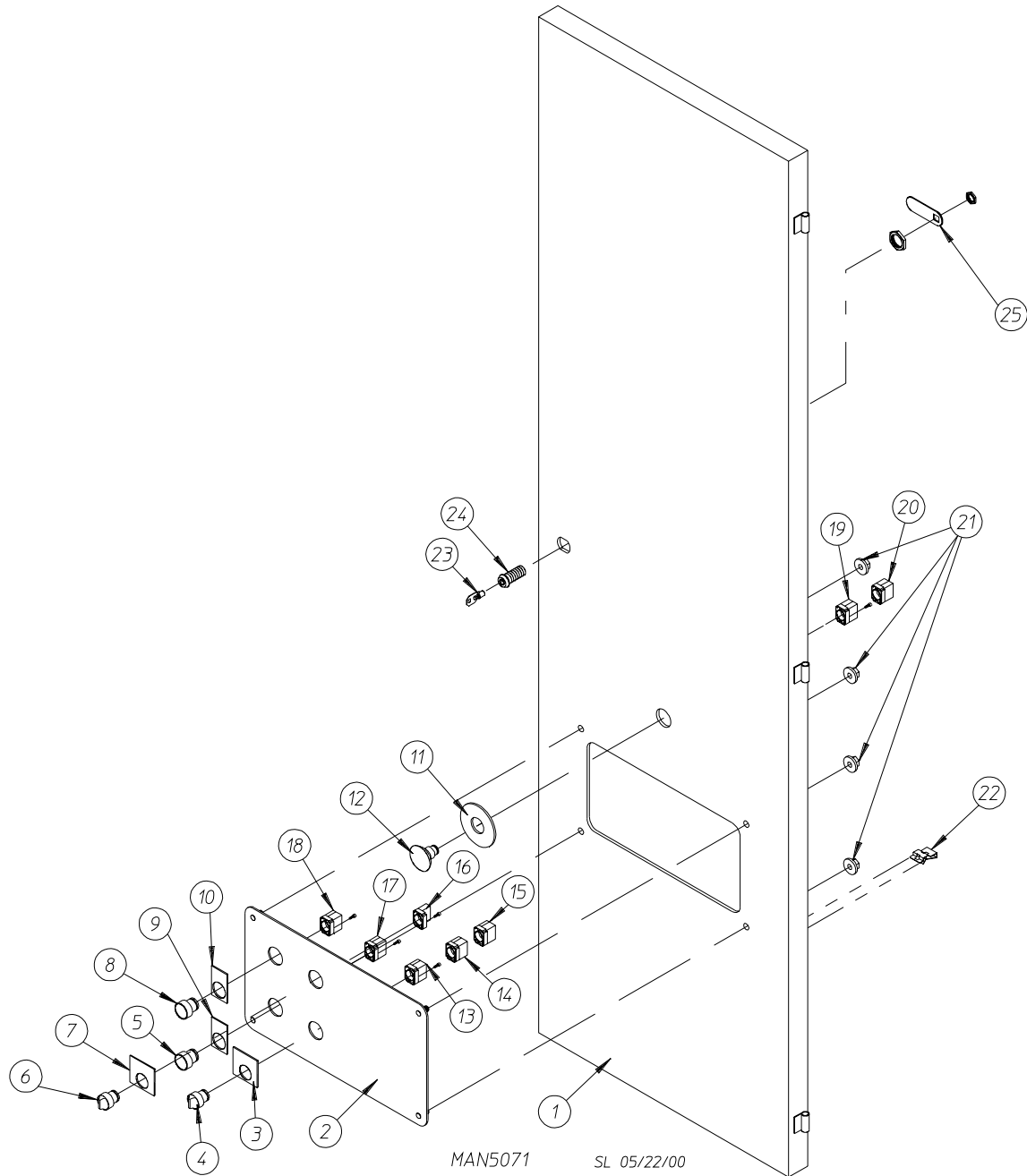
Illus. No.	Part No.	Qty.	Description
1	160140	1	ACE® XX4451 Key ONLY
2	160050	1	ACE® Control Door Lock ONLY Less Key (keyed to #XX4451)
3	160014	1	Cam ONLY
4	112368	1	Milnor Logo ONLY (tape kit not included)
	870011	1	Logo Double Tape Kit
5*	821334	1	Left Hand Control Door

* Specify color when ordering.



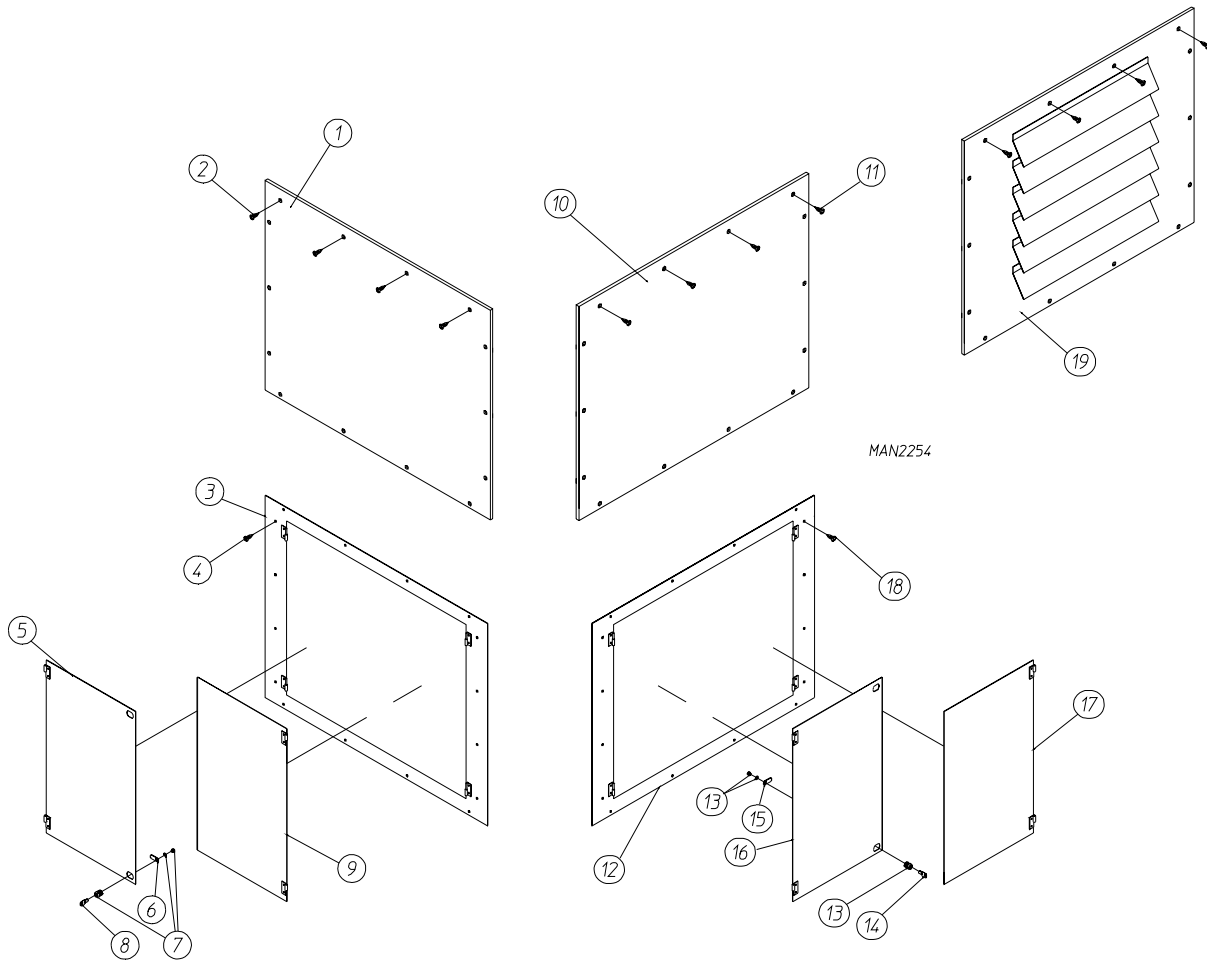
Illus. No.	Part No.	Qty.	Description
1	821597	1	Front Right Control Door ONLY
2	-----	1	Front Right Control Door Panel ONLY (refer to Right Rear/Front Control Panel on page 80)
3	122438	1	Engraved Nameplate: Load - Dry - Unload
4	122361	1	3-Position Maintained Operator
5	123203	1	Black Push Button Operator
6	122415	1	Engraved Nameplate: Forward
7	122416	1	Engraved Nameplate: Reverse
8	123202	1	White Push Button Operator
9	122413	1	Engraved Nameplate: Tilt Off - Tilt On
10	122360	1	2-Position Maintained Operator
11	132396	2	Mounting Base with Normally Opened (N.O.) and Normally Closed (N.C.) Contact Block
12	132394	2	Mounting Base with Normally Opened (N.O.) Contact Block

<u>Illus. No.</u>	<u>Part No.</u>	<u>Qty.</u>	<u>Description</u>
13	132386	1	Normally Opened (N.O.) Contact Block
14	132387	4	Normally Closed (N.C.) Contact Block
15	123201	1	Green Lighted Push Button Operator
16	122410	1	Engraved Nameplate: ON
17	123212	1	24 Volt Lamp
18	132388	2	Normally Opened (N.O.) Contact Block with Direct Supply
19	132395	1	Mounting Base with Normally Closed (N.C.) Contact Block
20	122421	1	Engraved Nameplate: OFF
21	123204	1	Red Push Button Operator
22	122420	1	Sprinkler Stop Nameplate
23	123200	1	Amber Lighted Push Button Operator
24	123212	1	24 Volt Lamp
25	122351	1	“EMERGENCY STOP” (E-Stop) Operator
26	122419	1	Engraved “EMERGENCY STOP” (E-Stop) Label
27	121509	6	Tie Wrap Clips
28	112571	1	Phase 7 Keyboard (touch pad)
29	134018	1	Alarm Horn Volume Control
30	128967	1	80-90 Decibel Panel Mount Alarm Horn
31	152014	4	1/4-20 Free Spin Wash Nuts
32	132395	1	Mounting Base with Normally Closed (N.C.) Contact Block
33	132387	1	Normally Closed (N.C.) Contact Block
34	153010	4	#6 Star Washer
35	150005	4	#6-32 x 1/4” Phillips Round Head Machine Screw
36	122426	1	Caution Label
37	882896	1	Phase 7 Display Board (for models mfd. as of October 2000)
	882894	1	Phase 7 Microprocessor Control Computer (for models mfd. prior to October 2000)
38	160140	1	ACE® XX4451 Key ONLY
39	160050	1	ACE® Control Door Lock Less Key (keyed to #XX4451)



2 Door Models ONLY

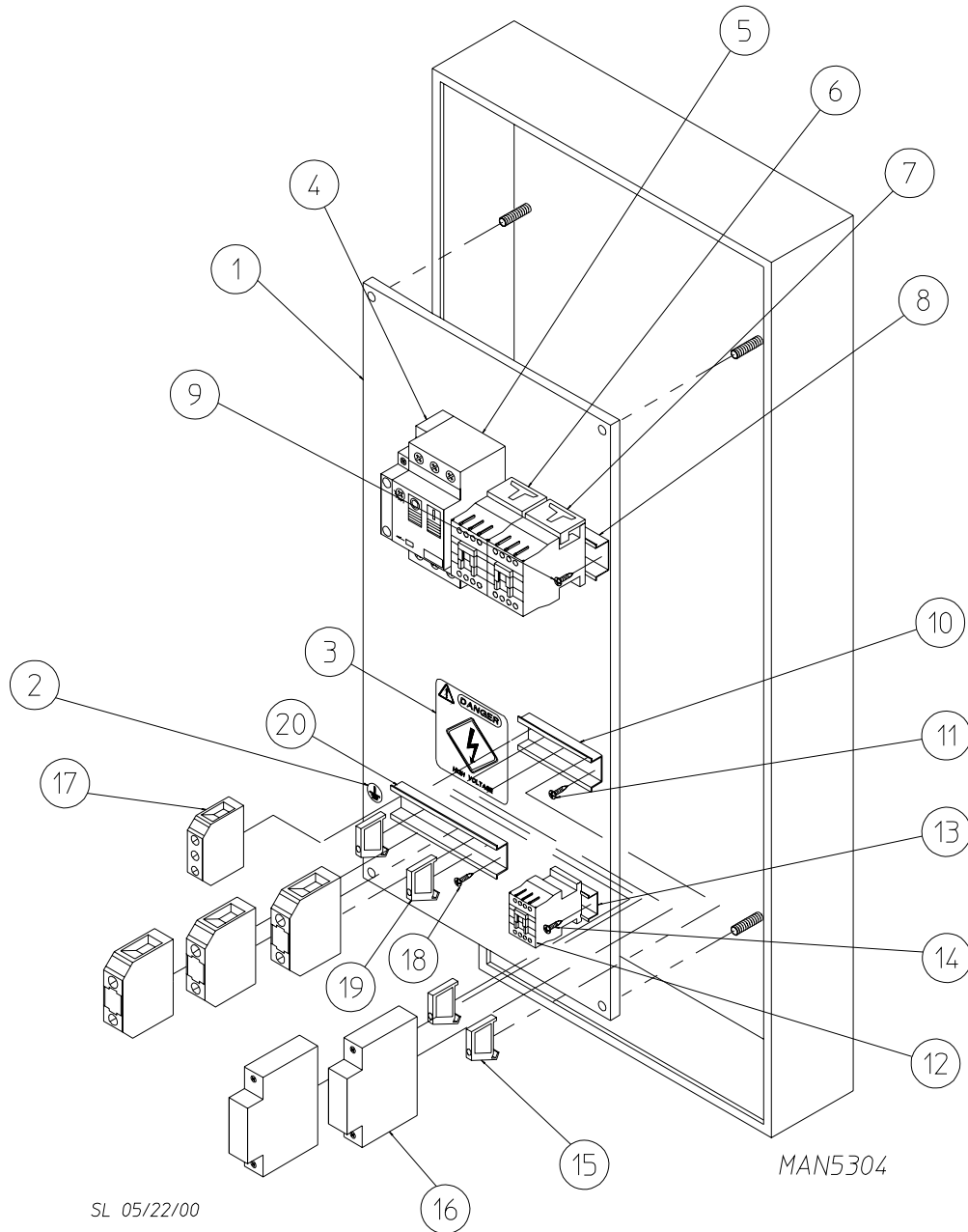
<u>Illus. No.</u>	<u>Part No.</u>	<u>Qty.</u>	<u>Description</u>
1	814364	1	Right Rear Control Door ONLY
2	-----	1	Right Rear Door Control Panel (refer to Right Rear/Front Control Panel on page 80)
3	122438	1	Load/Dry/Unload Nameplate
4	122361	1	3-Position Maintained Operator
5	123202	1	White Push Button Operator
6	122360	1	2-Position Maintained Operator
7	122413	1	Tilt Off Tilt On Nameplate
8	123203	1	Black Push Button Operator
9	122416	1	Nameplate "Reverse"
10	122415	1	Nameplate "Forward"
11	122419	1	"EMERGENCY STOP" (E-Stop) Label
12	122351	1	"EMERGENCY STOP" (E-Stop) Operator
13	132394	1	Mounting Base with Normally Opened (N.O.) Contact Block
14	132386	1	Normally Opened (N.O.) Contact Block
15	132387	2	Normally Closed (N.C.) Contact Block
16	132394	1	Mounting Base with Normally Opened (N.O.) Contact Block
17	132396	1	Mounting Base with Normally Opened (N.O.) and Normally Closed (N.C.) Contact Block
18	132396	1	Mounting Base with Normally Opened (N.O.) and Normally Closed (N.C.) Contact Block
19	132395	1	Mounting Base with Normally Closed (N.C.) Contact Block
20	132387	1	Normally Closed (N.C.) Contact Block
21	152014	4	1/4-20 with 3/4" Free Spin Wash Nut
22	121509	6	Tie Wrap Clips
23	160140	1	ACE® XX4451 Key ONLY
24	160050	1	ACE® Control Door Lock Less Key (keyed to #XX4451)
25	160014	1	Cam ONLY



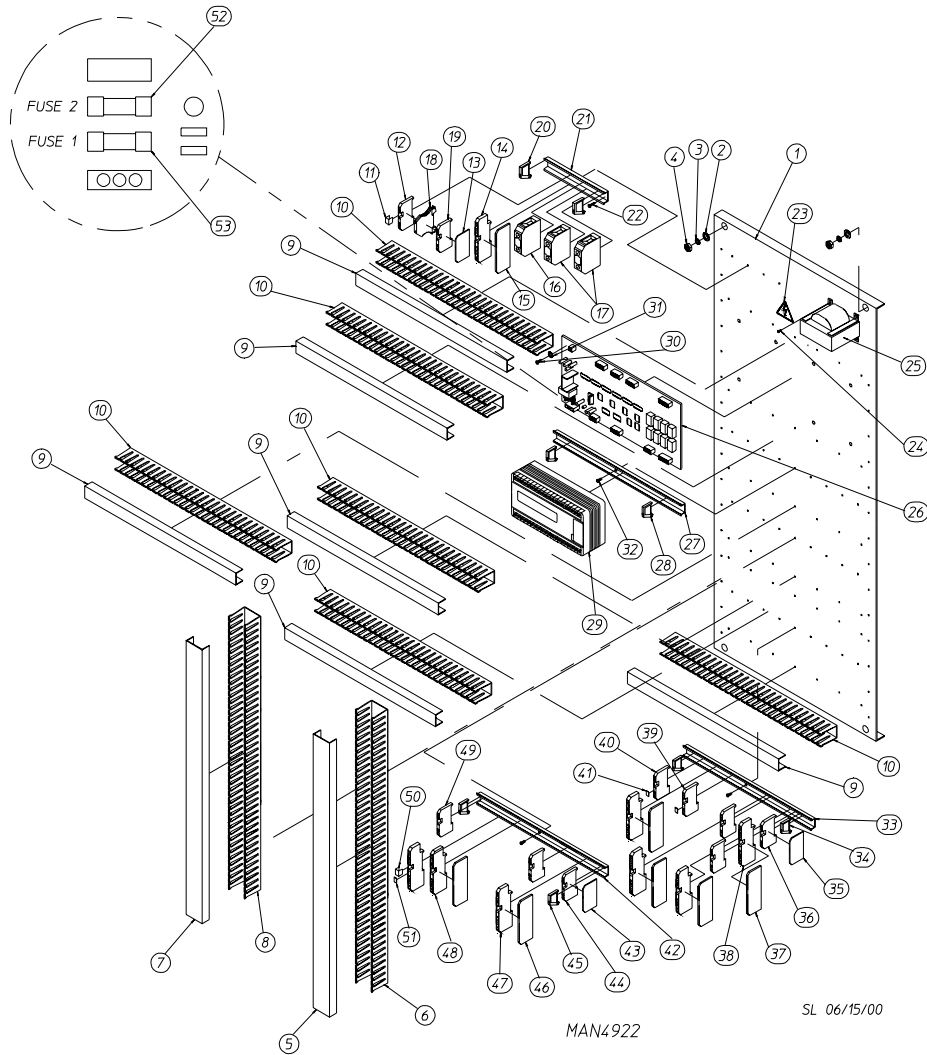
Illus. No.	Part No.	Qty.	Description
1*	826035	1	Left Top Side Panel
2	150523	14	1/4-20 x 3/4" Hex Washer Machine Screw
3*	881189	1	Lower Side Panel For Hinged Doors
4	150523	16	1/4-20 x 3/4" Hex Washer Machine Screw
5*	881190	1	Locking Hinged Side Panel Door Less Locks
6	160034	2	Lock Cam ONLY
7	160050	2	ACE® Door Lock ONLY Less Key (keyed to #XX4451)
8	160140	2	ACE® XX4451 Key ONLY
9*	881191	1	Hinged Side Panel Door Assembly
10*	826035	1	Right Top Side Panel (for natural gas and steam models Only)
11	150523	14	1/4-20 x 3/4" Hex Washer Machine Screw
12*	881189	1	Lower Side Panel For Hinged Doors
13	160050	2	ACE® Door Lock ONLY Less Key (keyed to #XX4451)
14	160140	2	ACE® XX4451 Key ONLY
15	160034	2	Lock Cam ONLY
16*	881190	1	Locking Hinged Side Panel Door Less Locks
17*	881191	1	Hinged Side Panel Door Assembly
18	150523	16	1/4-20 x 3/4" Hex Washer Machine Screw
19*	826034	1	Top Right Side Panel (for liquid propane [L.P.] gas models Only)

* Specify color when ordering.

For Models Mfd. with Thermal-Magnetic Protection ONLY



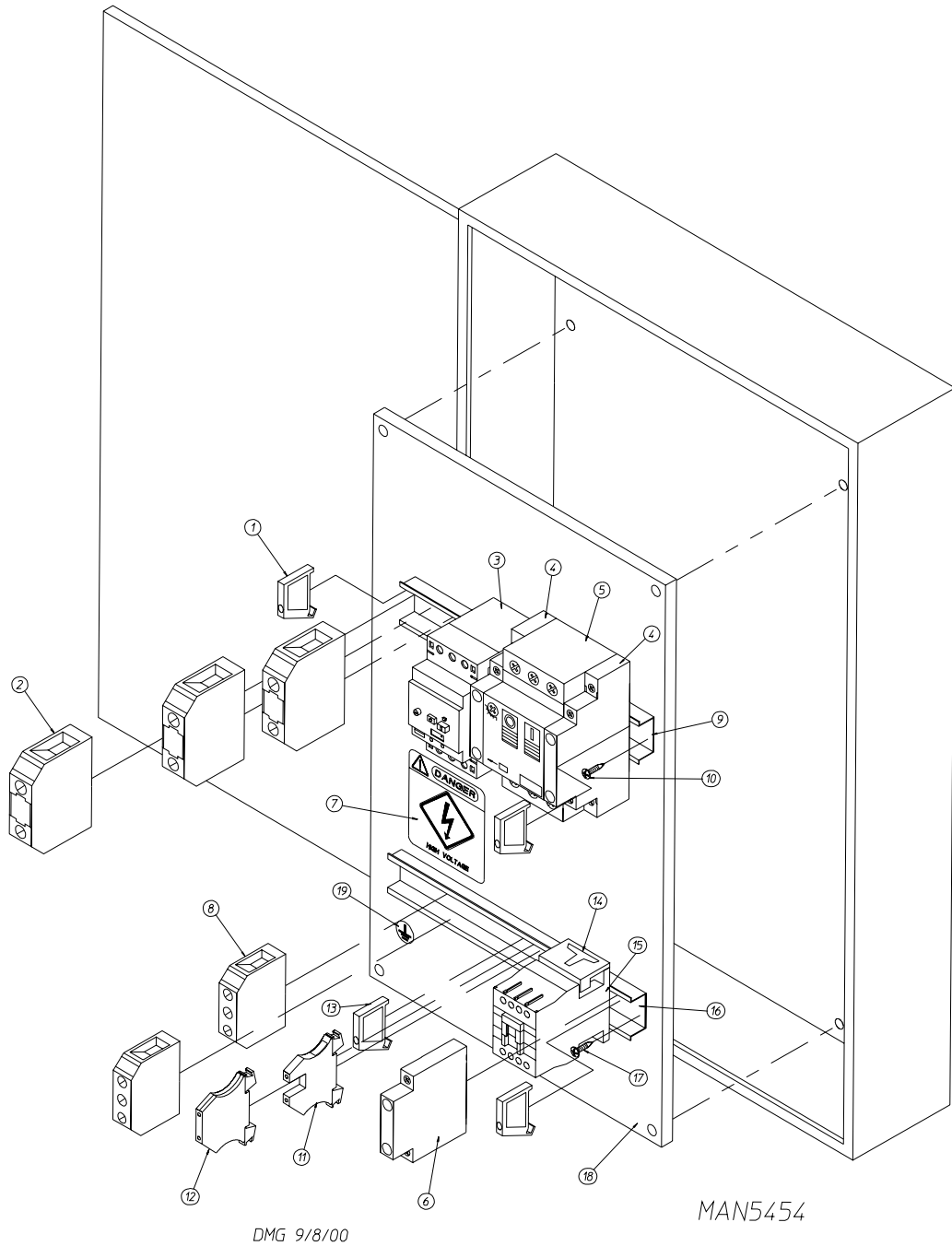
<u>Illus. No.</u>	<u>Part No.</u>	<u>Qty.</u>	<u>Description</u>
1	334269	1	Left Hand Electrical Panel
	832677	1	Left Hand Electrical Panel Assembly Complete (includes illus. nos. 1 through 20)
2	112075	1	Ground Label
3	114007	1	Danger High Voltage Label
4	-----	1	Auxiliary Contact Block For Gas and Steam Models (refer to Chart For Left Hand Electrical Panel on page 82)
5	-----	1	Manual Starter/Thermal-Magnetic Breaker For Gas and Steam Models (refer to Chart For Left Hand Electrical Panel on page 82)
6	-----	1	Reversing Contactor For Gas and Steam Models (refer to Chart For Left Hand Electrical Panel on page 82)
7	132437	2	Varistor
8	120768	8	35 x 15mm Din Mounting Rail
9	150300	2	#10-16 x 1/2" Hex Washer TEK Screw
10	120768	3	35 x 15mm Din Mounting Rail
11	150300	2	#10-16 x 1/2" Hex Washer TEK Screw
12	132494	1	Sprinkler Contactor (for dryer with sprinkler option Only)
13	120768	2	35 x 15mm Din Mounting Rail
14	150300	2	#10-16 x 1/2" Hex Washer TEK Screw
15	120765	2	End Stops
16	-----	1	2-Pole Circuit Breaker For Gas and Steam Models (refer to Chart For Left Hand Electrical Panel on page 82)
17	120727	1	Ground Terminal Block
18	150300	1	#10-16 x 1/2" Hex Washer TEK Screw
19	120770	2	End Bracket 12mm
20	120768	4	35 x 15mm Din Mounting Rail



<u>Illus. No.</u>	<u>Part No.</u>	<u>Qty.</u>	<u>Description</u>
1	821833	1	Front Right Electrical Panel ONLY
2	150334	4	3/8" Flat Washer
3	153005	4	3/8" Split Lock Washer
4	152005	4	3/8-16 Hex Nut
5	121422	28"	1" Wire Duct Cover
6	121430	28"	1" x 3" Slotted Wall Wire Duct
7	121422	31"	1" Wire Duct Cover
8	121430	31"	1" x 3" Slotted Wall Wire Duct
9	121422	12"	1" Wire Duct Cover
10	121430	12"	1" x 3" Slotted Wall Wire Duct
11	120777	10	2-Position Terminal Block Jumper
12	120771	4	2-Position Gray Line Block
13	120776	6	Small Insulator for 2-Position Block
14	120778	2	4-Position Gray Line Block
15	120801	2	Large Insulator for 4-Position Block
16	-----	1	Circuit Breaker #7 (refer to Right Hand Electrical Control Panel Chart on page 81)
17	-----	1	Circuit Breaker #6 (refer to Right Hand Electrical Control Panel Chart on page 81)

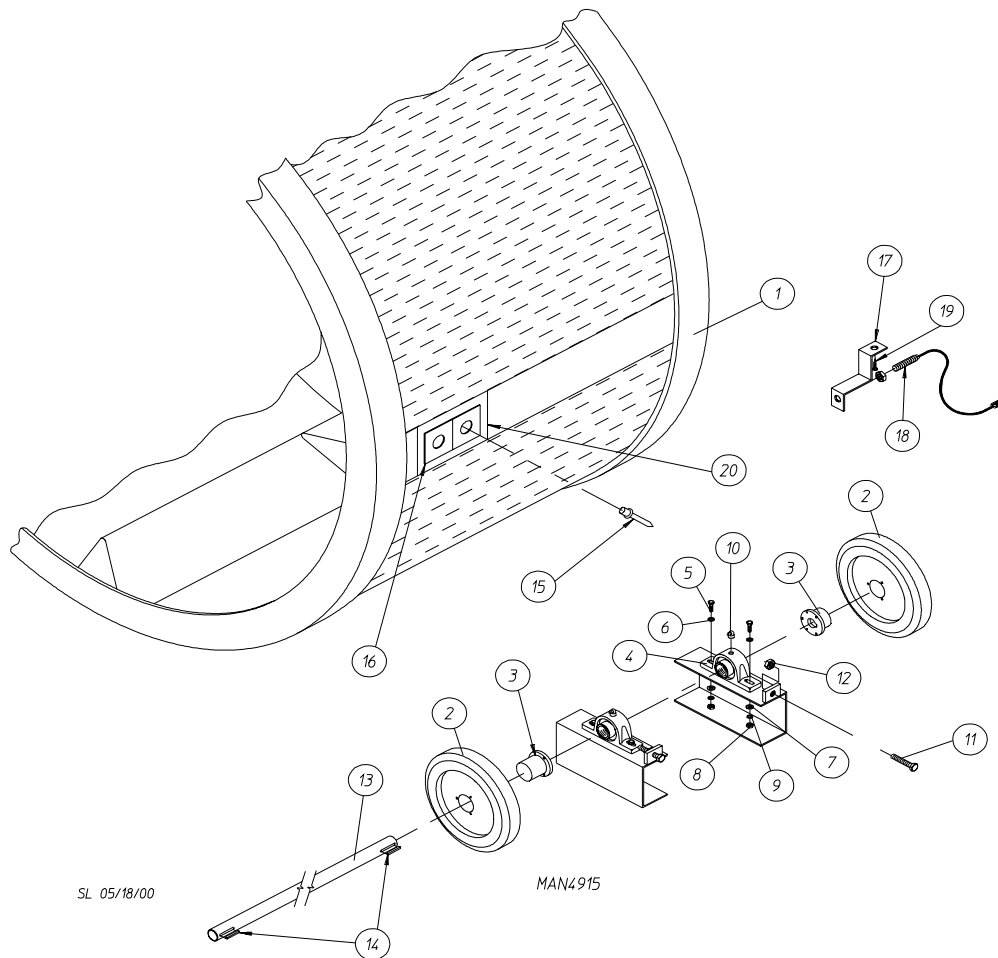
<u>Illus. No.</u>	<u>Part No.</u>	<u>Qty.</u>	<u>Description</u>
18	120773	3	2-Position Green/Yellow Ground Block
19	120772	2	2-Position Blue Neutral Block
20	120765	2	End Stop
21	120768	6	35 x 15mm Din Mounting Rail
22	150300	3	#10-16 x 1/2" Hex Washer TEK Screw
23	122424	1	Power Warning Label
24	150300	4	#10-16 x 1/2" Hex Washer TEK Screw
25	-----	1	Transformer Assembly (refer to Right Hand Electrical Control Panel Chart on page 81)
26	882895	1	Phase 7 Input/Output (I/O) Board (for models mfd. as of October 2000)
	882894	1	Phase 7 Microprocessor Control Computer (for models mfd. prior to October 2000)
27	120768	28	35 x 15mm Din Mounting Rail
28	120765	2	End Stop
29	882892	1	Auto Door TSX 07 PLC
	882893	1	Main Manual Door TSX 07 PLC
30	150005	4	#6-32 x 1/4" Phillips Round Head Machine Screw
31	153010	4	#6 Star Washer
32	150300	4	#10-16 x 1/2" Hex Washer TEK Screw
33	120768	12"	35 x 15mm Din Mounting Rail
34	120765	2	End Stop
35	120776	1	Small Insulator for 2-Position Block
36	120771	21	2-Position Gray Line Block
37	120801	4	Large Insulator for 4-Position Block
38	120778	13	4-Position Gray Line Block
39	120773	3	2-Position Green/Yellow Ground Block
40	120772	1	2-Position Blue Neutral Block
41	401024	4	Marking Tags
42	120768	12"	35 x 15mm Din Mounting Rail
43	120776	1	Small Insulator for 2-Position Block
44	120773	1	2-Position Green/Yellow Ground Block
45	120765	2	End Stops
46	120801	7	Large Insulator for 4-Position Terminal Block
47	120778	32	4-Position Gray Line Block
48	120779	3	4-Position Blue Neutral Block
49	120771	9	2-Position Gray Line Block
50	120805	10	4-Position Terminal Block Jumper
51	401024	4	Marking Tags
52	136109	1	2-Amp 250v (fast acting) Fuse
53	136016	1	5-Amp 250v (fast acting) Fuse

For Models Mfd. with Thermal-Magnetic Protection ONLY

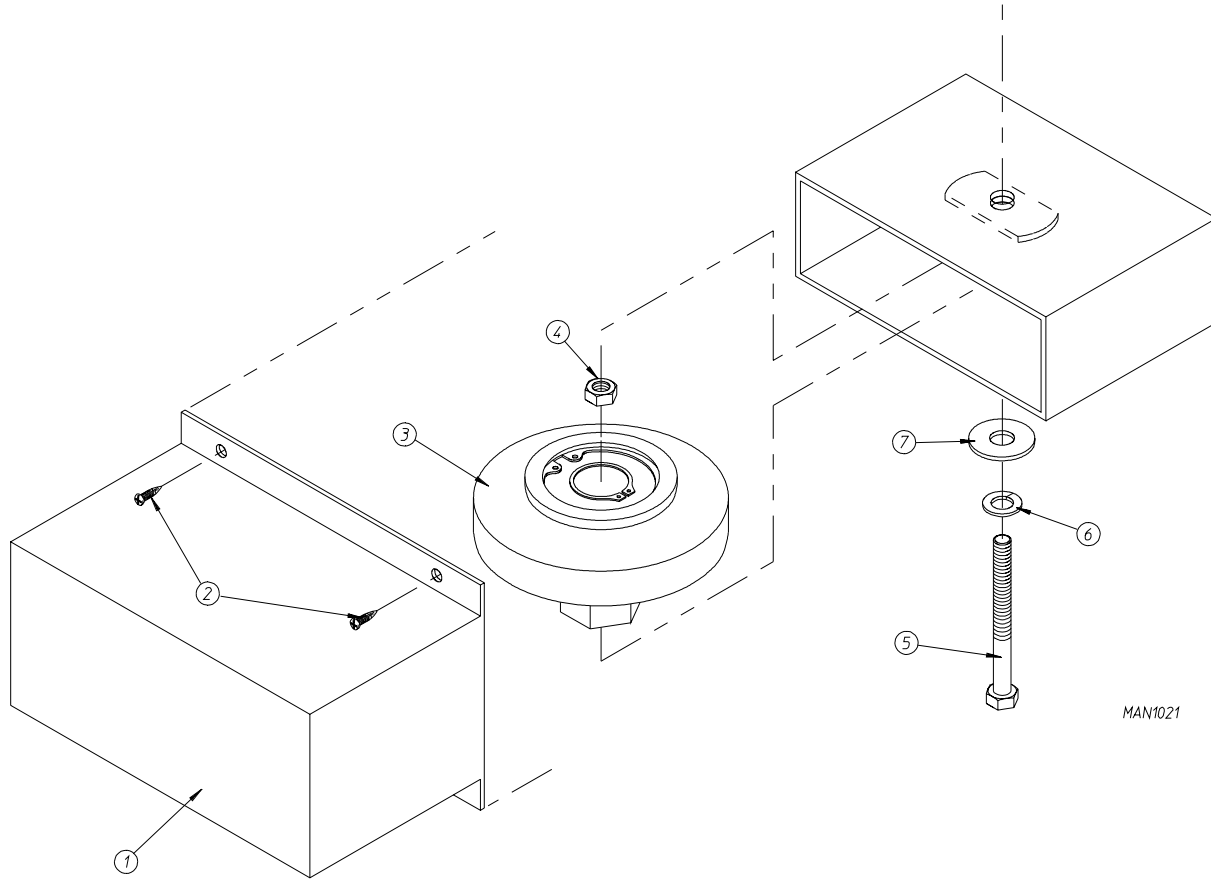


For Models Mfd. with Thermal-Magnetic Protection ONLY

<u>Illus. No.</u>	<u>Part No.</u>	<u>Qty.</u>	<u>Description</u>
1	120770	2	End Bracket
2	120760	3	Terminal Block
3	131957	1	Circuit Breaker #4 (25-40 amp manual starter)
4	-----	1	Auxiliary Contact Block (refer to Chart For Right Hand Electrical Control Panel on page 81)
5	-----	1	Manual Starter (refer to Chart For Right Hand Electrical Control Panel on page 81)
6	-----	1	Auxiliary Contact Block (refer to Chart For Right Hand Electrical Control Panel on page 81)
7	114007	1	Danger High Voltage Label
8	120727	2	Ground Terminal Block
9	120768	8	35 x 15mm Din Mounting Rail
10	150300	4	#10 x 1/2" Hex Washer TEK Screw
11	120750	1	Ground Terminal Block (for sprinkler option)
12	120758	2	2-Position Feed Thru Terminal Block (for sprinkler option)
13	120765	2	Standard End Stop
14	-----	1	Varistor (refer to Chart For Right Hand Electrical Control Panel on page 81)
15	-----	1	Contacto (refer to Chart For Right Hand Electrical Control Panel on page 81)
16	120768	8	35 x 15mm Din Mounting Rail
17	150300	4	#10 x 1/2" Hex Washer TEK Screw
18	331499	1	Panel ONLY
19	112075	1	Ground Here Label

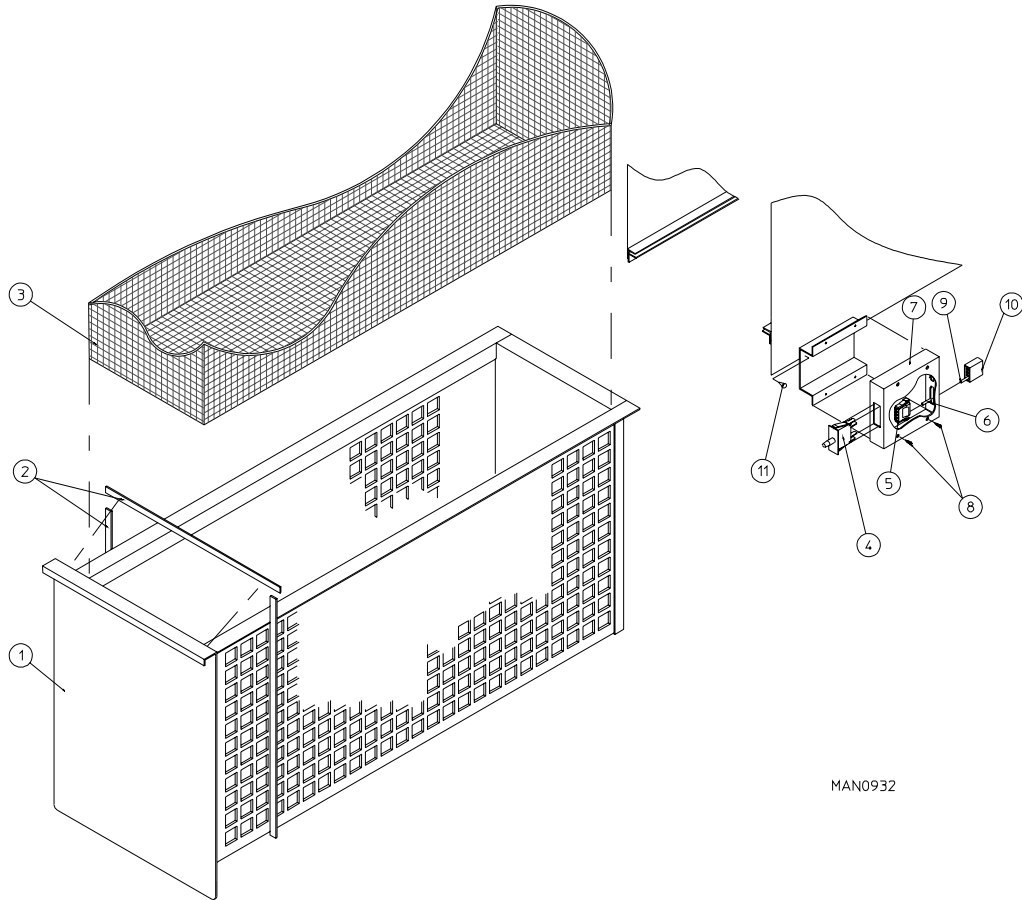


<u>Illus. No.</u>	<u>Part No.</u>	<u>Qty.</u>	<u>Description</u>
1	826017	1	Basket (tumbler) Assembly (for 1 door models)
	826046	1	Basket (tumbler) Assembly (for 2 door models)
2	821465	2	Drive Wheel Assembly
3	101227	2	SK x 1-1/2" Bushing
4	880880	2	1-1/2" Pillow Block Bearing with Setscrews and Grease Fitting
	814489	2	External Grease Fitting Kit
5	150620	4	1/2-13 x 2-1/2" Hex Head Machine Bolt
6	153011	4	9/16" Flat Washer
7	153011	4	9/16" Flat Washer
8	153026	4	1/2" Lock Washer
9	152011	4	1/2-13 Hex Nut
10	170511	2	1/8-27 N.P.T. Grease Fitting
11	150609	2	1/2-13 x 4-1/2" Hex Head Machine Bolt
12	152011	2	1/2-13 Hex Nut
13	334057	1	1-1/2" Diameter Idler Shaft
14	100710	2	3/8" x 3/8" x 3" Key
15	154200	2	5/32" Pop Rivet
16	102102	2	Magnet
17	333152	1	Phase 7 Rotational Sensor Bracket
18	882633	1	Rotational Sensor Proximity Switch
19	150309	1	#10-16 x 1/2" Hex Head Crimpite TEK
20	333163	1	Magnet Plate For Rotational Sensor



<u>Illus. No.</u>	<u>Part No.</u>	<u>Qty.</u>	<u>Description</u>
1*	-----	1	Basket (tumbler) Retaining Wheel Cover/Guard (refer to appropriate Front Panel Assembly or Rear Panel Assembly)
2	150301	4	#8-18 x 7/16" Phillips Pan Head TEK Screw
3	820566	1	Basket (tumbler) Retaining Wheel Assembly
4	152004	1	5/16-18 Hex Nut
5	150509	1	5/16-18 x 3" Hex Head Machine Bolt
6	153002	1	5/16" Lock Washer
7	153001	1	5/16" Flat Washer

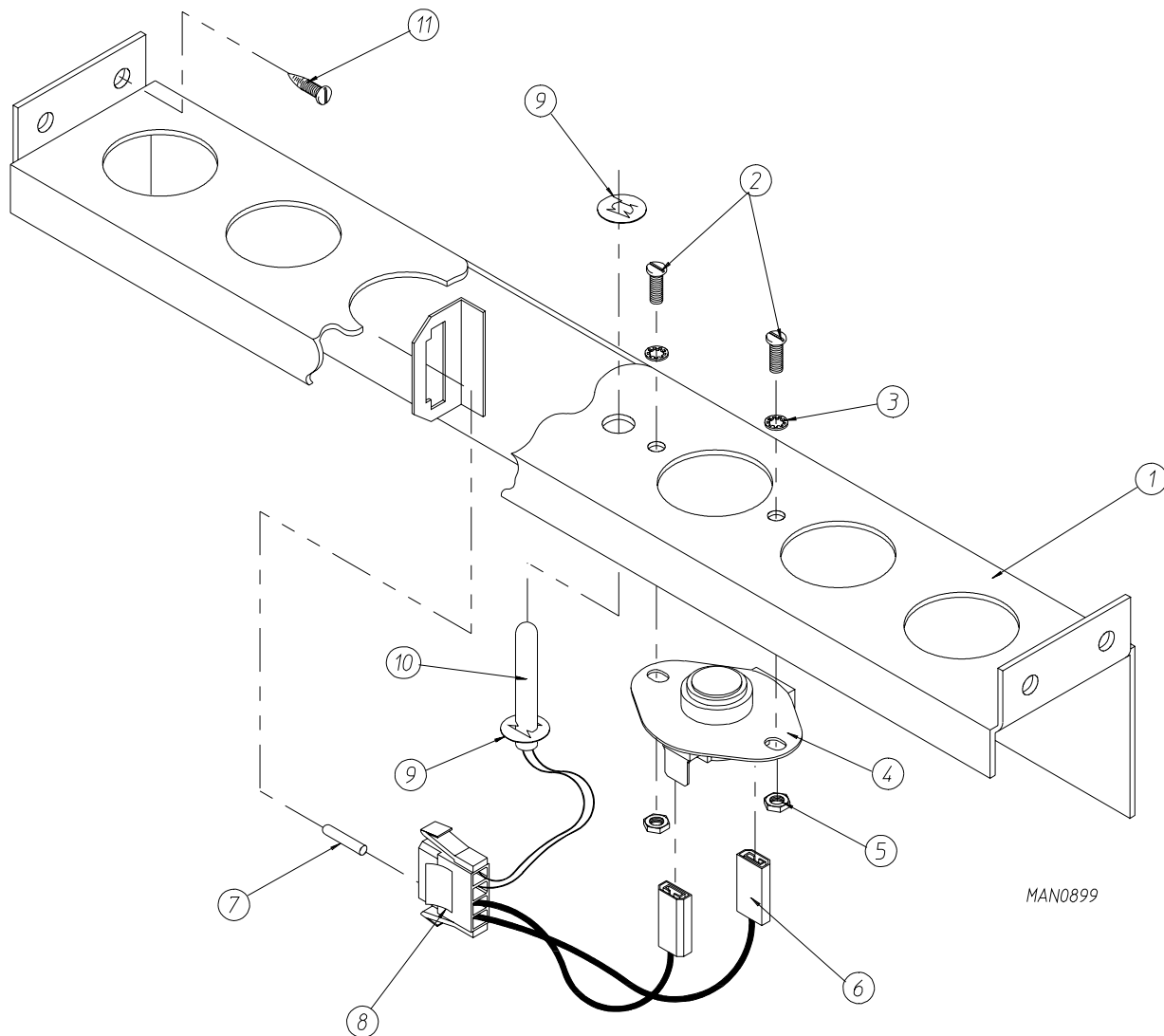
* Specify color when ordering.



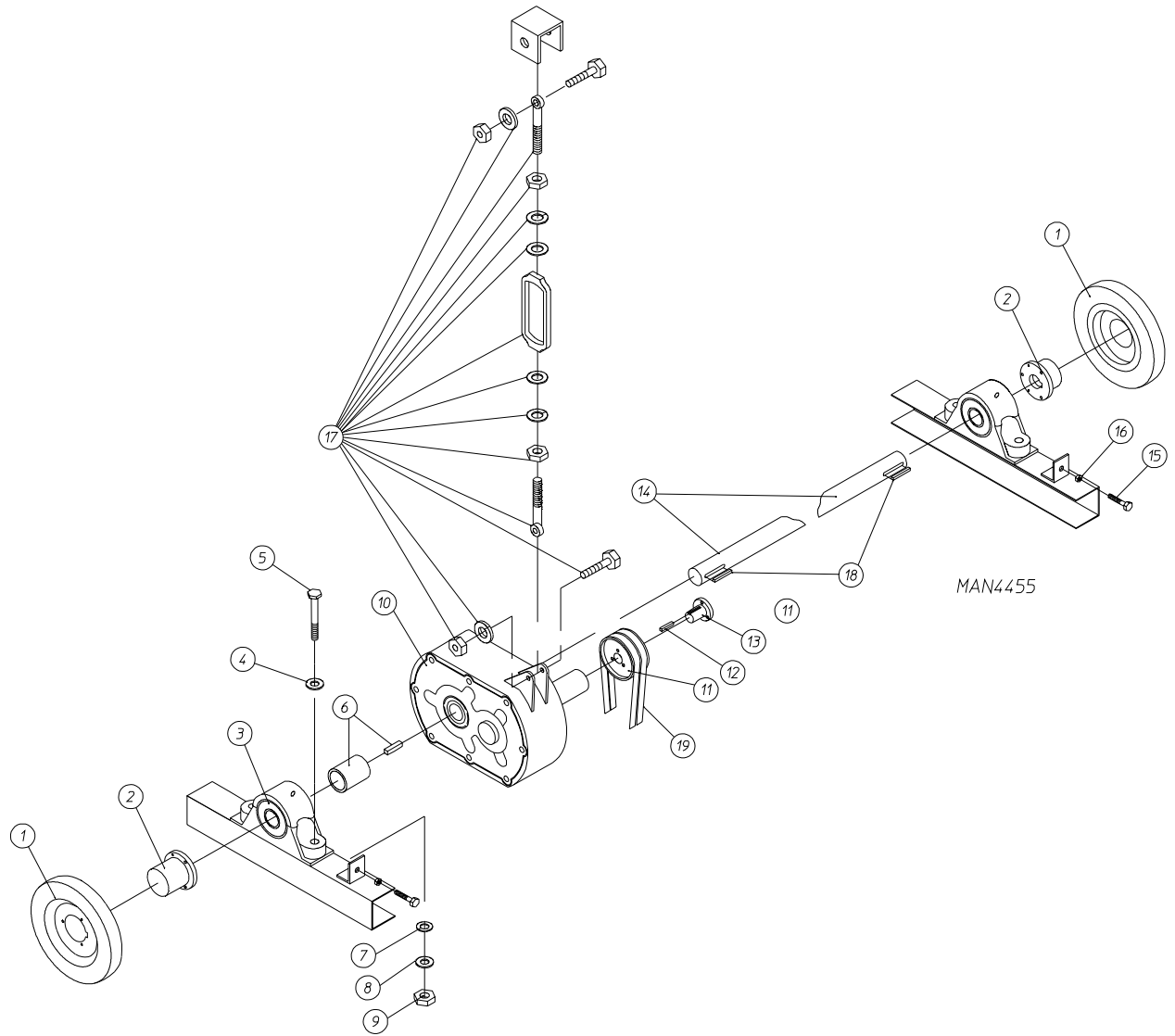
MAN0932

<u>Illus. No.</u>	<u>Part No.</u>	<u>Qty.</u>	<u>Description</u>
1*	826119	1	Stainless Steel Screened Lint Basket Assembly (includes illus. nos. 1 and 2) For Models Mfd. as of August 14, 2000
	881497	1	Lint Draw Assembly Complete (includes illus. nos. 1 and 2) For Models Mfd. prior to August 14, 2000
2	117602	7	Noise Suppressor Tape (sold by the foot)
3	108214	1	Lint Screen Assembly (for models mfd. prior to August 14, 2000)
4	122116	1	Lint Drawer/Basket Switch ONLY
5	122605	2	4-Pin Socket Connector ONLY
6	122701	4	Socket Terminal ONLY
	122801	1	Pin/Socket Extraction Tool
7	800264	1	Lint Drawer/Basket Switch Box Assembly Complete (includes illus. nos. 4 through 7)
	304034	1	Lint Drawer/Basket Switch Cover ONLY
8	150301	4	#8-18 x 7/16" Phillips Pan Head TEK Screw
9	122700	4	Pin Terminal ONLY
10	122604	2	4-Pin Connector ONLY
11	150301	2	#8-18 x 7/16" Phillips Pan Head TEK Screw

* Specify color when ordering.



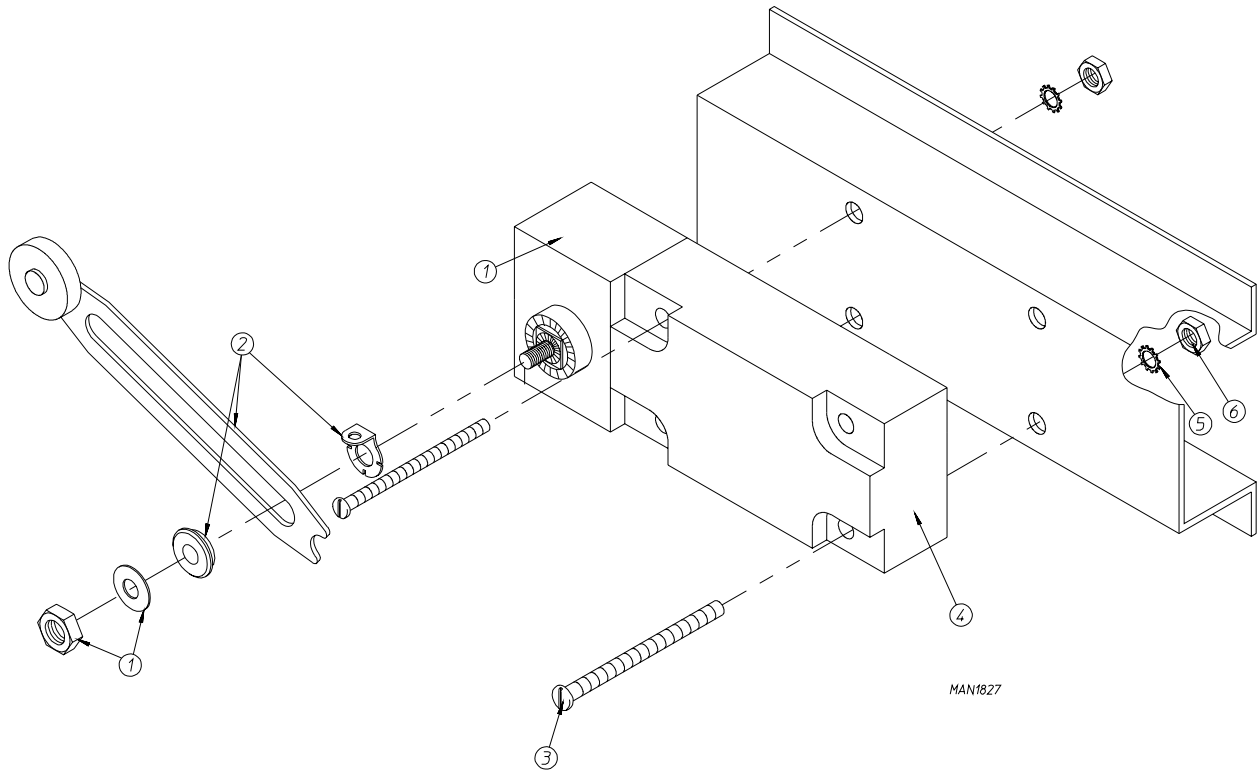
<u>Illus. No.</u>	<u>Part No.</u>	<u>Qty.</u>	<u>Description</u>
1	820967	1	Sensor Bracket Assembly
	820968	1	Sensor Bracket Assembly Complete (includes illus. nos. 1 through 10)
2	150000	2	#6-32 x 1/4" Slotted Round Head Machine Screw
3	153010	2	#6 Star Washer
4	130112	1	225° Thermostat ONLY
5	152000	2	#6-32 Hex Nut
6	121028	2	1/4" x 0.032 Insulated Terminal
7	122701	4	Socket Terminal ONLY
8	122605	1	4-Pin Socket Connector (female)
9	154007	2	1/4" Push On Fastener
10	880251	1	1/4" Temperature Sensor Probe Assembly (includes illus. nos. 6 through 10)
11	150301	4	#8-18 x 7/16" Phillips Pan Head TEK Screw



MAN4455

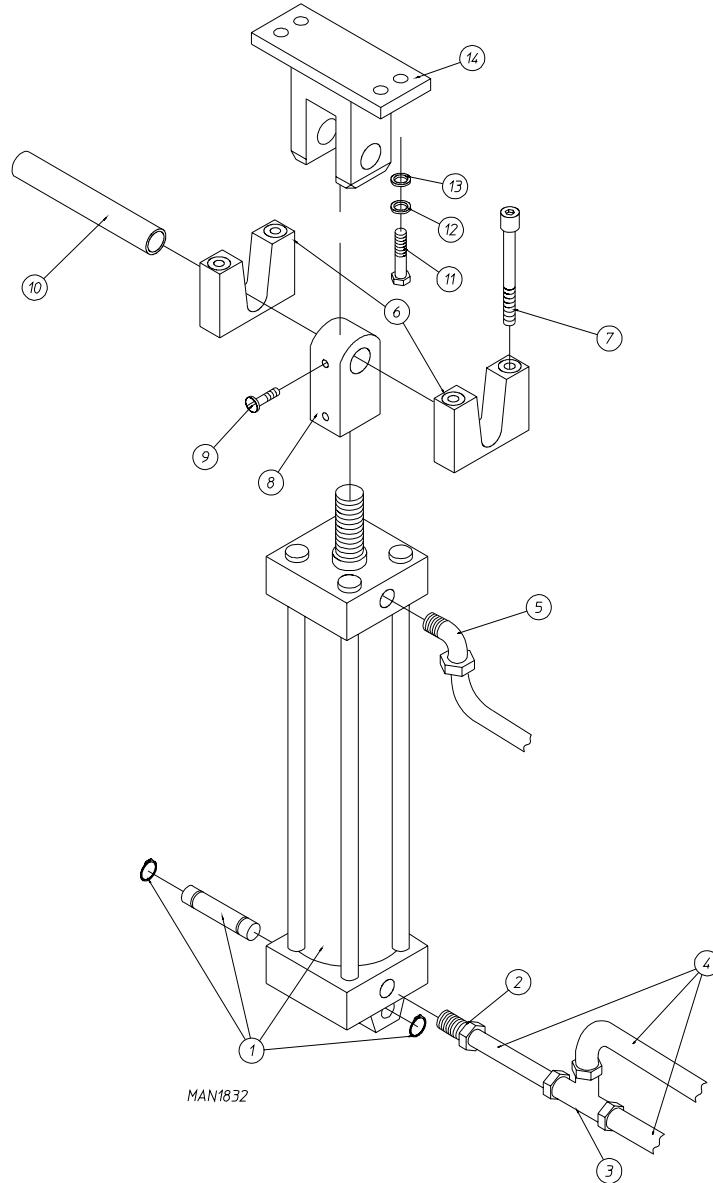
<u>Illus. No.</u>	<u>Part No.</u>	<u>Qty.</u>	<u>Description</u>
1	821465	2	11" Drive Wheel Assembly
2	101227	2	SK x 1-1/2" Taper Lock Bushing
3	880880	2	1-1/2" Pillow Block Bearing with Grease Fitting
	814489	2	External Grease Fitting Kit
	170511	2	1/8-27 N.P.T. Grease Fitting
4	153011	4	9/16" Flat Washer
5	150620	4	1/2-13 x 2-1/2" Hex Head Machine Bolt
6	101023	1	1-1/2" Taper Bushing
7	153011	4	9/16" Flat Washer
8	153026	4	1/2" Lock Washer
9	152011	4	1/2-13 Hex Nut
10	101019	1	Taper Bore Speed Reducer
11	101177	1	2B x 5.8 Pulley
12	100709	1	3/8" x 3/8" x 2" Key
13	101196	1	SDS x 1-5/8" Bushing
14	334058	1	Basket (tumbler) Drive Shaft
15	150609	2	1/2-13 x 4-1/2" Hex Head Machine Bolt
16	152011	2	1/2-13 Hex Nut
17	154395	1	Gear Reducer Turnbuckle
18	100710	2	3/8" x 3/8" x 3" Key
19*	100152	1	AX-25 V-Belt (for 60 Hz models Only)
	100160	1	AP-26 V-Belt (for 50 Hz models Only)

* Replace in matched sets (both belts).



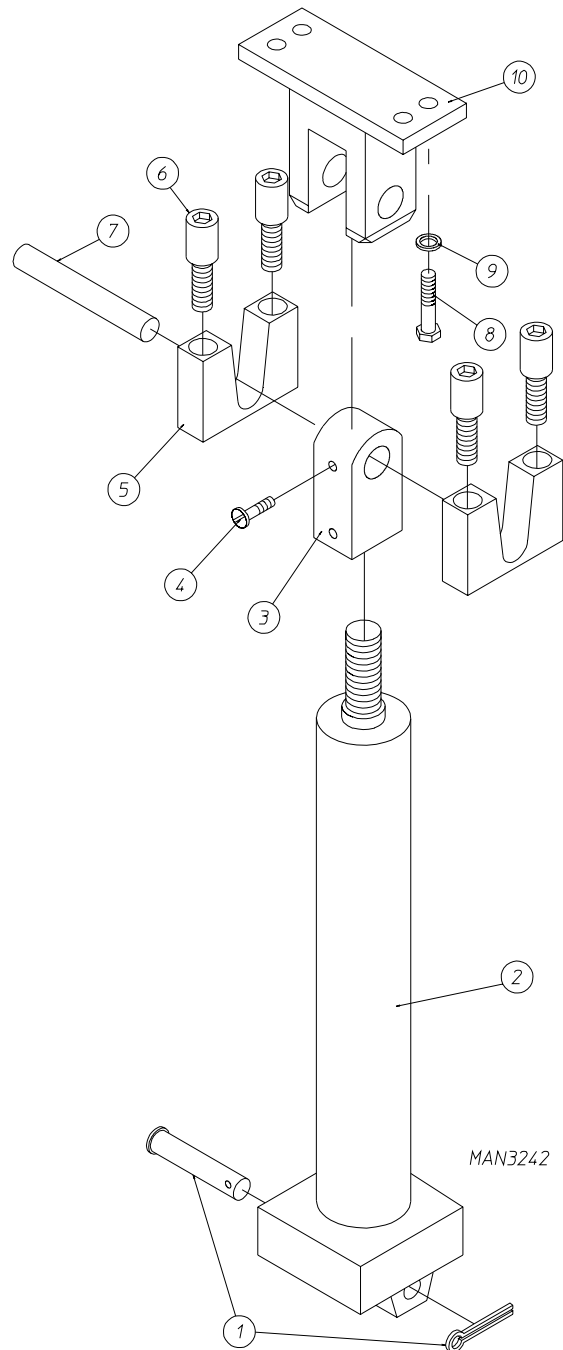
NOTE: One (1) Assembly Required for 1-Way Tilt Models
 Two (2) Assemblies Required for 2-Way Tilt Models

<u>Illus. No.</u>	<u>Part No.</u>	<u>Qty.</u>	<u>Description</u>
1	881252	1	Tilt Switch Assembly Complete (includes illus. nos. 1, 2, and 4)
	122365	1	Limit Switch Rotary Head
2	122369	1	Tilt Switch Arm
3	150211	4	#10-32 x 2" Round Head Machine Screw
4	122367	1	Tilt Switch Body
5	153009	4	#10 Star Washer
6	152008	4	#10-32 Hex Nut

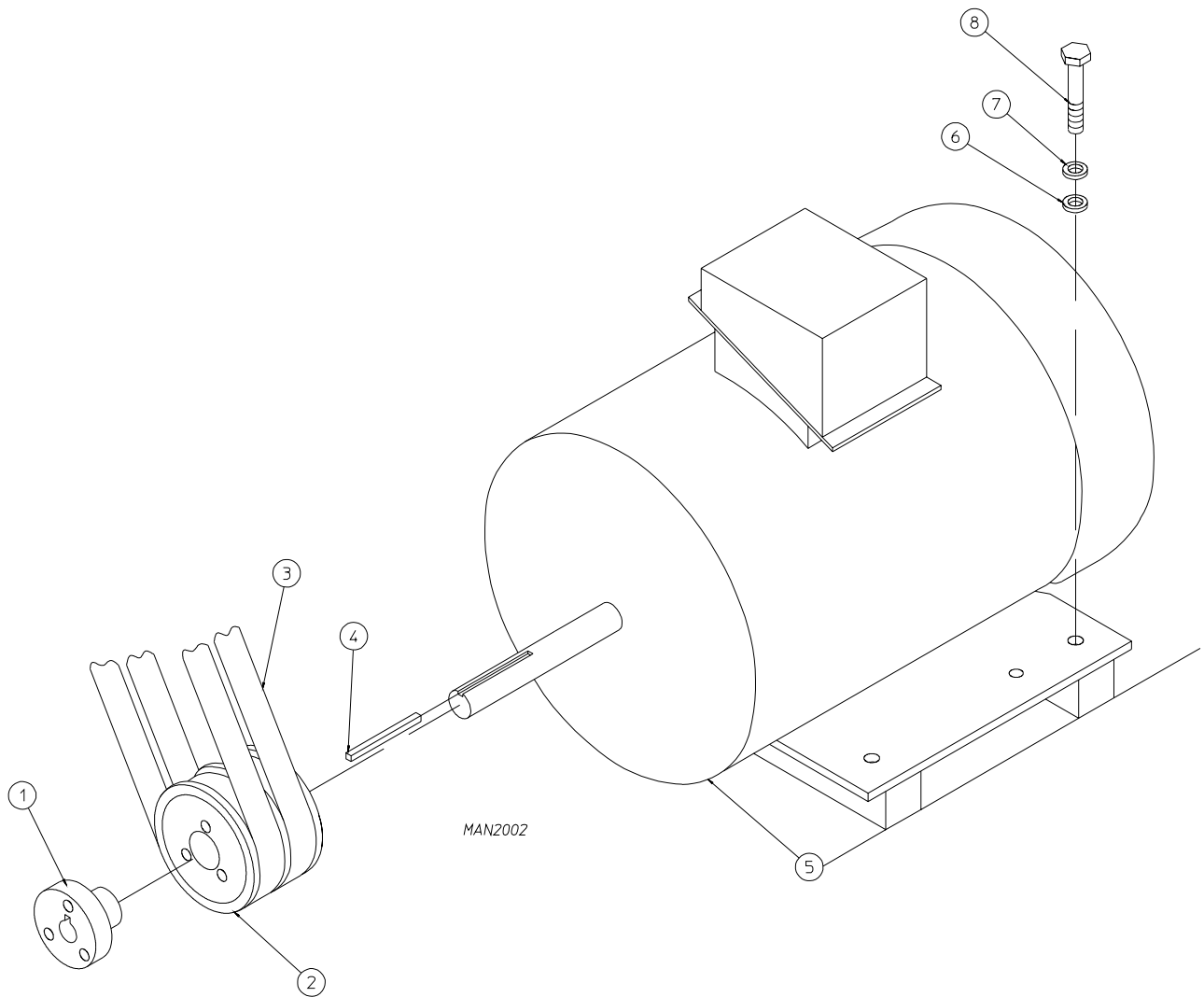


MAN1832

<u>Illus. No.</u>	<u>Part No.</u>	<u>Qty.</u>	<u>Description</u>
1	100559	1	5" Bore x 14" Stroke Piston
2	143283	1	3/8" Poly x 3/8" M.P.T. Connector
3	143221	1	3/8" Brass Poly Tee
4	143120	20	3/8" Poly Tubing (sold by the foot)
5	143213	1	3/8" Poly x 3/8" M.P.T. Brass Elbow
6	334309	2	Cylinder Pin Nylon Bumper
7	150435	4	3/8-16 x 3" Socket Head Cap Screw
8	100553	1	Rod Eye
9	154315	2	1/4-20 x 1" Socket Head Setscrew
10	331543	1	1" Pin
11	150599	4	1/2-20 x 1-1/4" Hex Head Machine Bolt
12	153026	4	1/2" Lock Washer
13	153011	4	9/16" Flat Washer
14	881170	1	Clevis Assembly



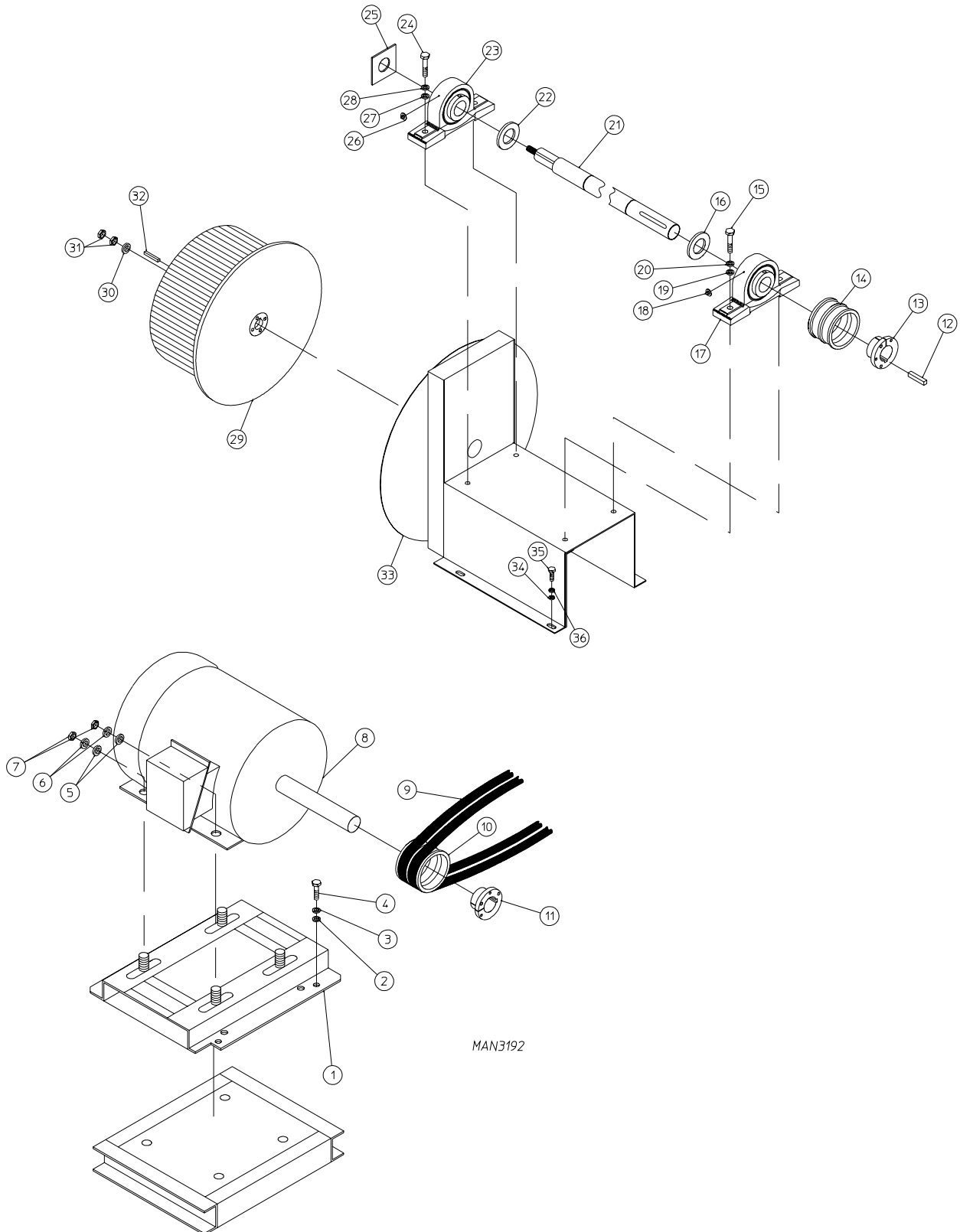
Illus. No.	Part No.	Qty.	Description
1	100487	1	3/4" Diagram Pin (with cotter pin)
2	881529	1	Post Assembly
3	100553	1	Rod Eye
4	154315	2	1/4-20 x 1" Socket Head Setscrew
5	334309	2	Cylinder Pin Nylon Bumper
6	150435	4	3/8-16 x 3" Socket Head Cap Screw
7	331543	1	Rod Eye Pin
8	150599	4	1/2-20 x 1-1/8" Hex Head Bolt
9	153026	4	1/2" Lock Washer
10	881170	1	Clevis Assembly



<u>Illus. No.</u>	<u>Part No.</u>	<u>Qty.</u>	<u>Description</u>
1	101144	1	SH x 1-1/8" Bushing
2	101187	1	2B x 3.6 Motor Pulley (for 60 Hz models Only)
	101195	1	2B x 4.4 Motor Pulley (for 50 Hz models Only)
3*	100152	2	AX-25 V-Belt (for 60 Hz models Only)
	100160	2	AX-26 V-Belt (for 50 Hz models Only)
4	100705	1	3/16" x 3/16" x 1-3/8" Key
5	181020	1	5 HP Multi-Voltage 190-208/230/380-460 Volt 3 ϕ 50/60 Hz
6	153004	4	3/8" Flat Washer
7	153005	4	3/8" Lock Washer
8	150600	4	3/8" x 1-1/2" Hex Head Machine Bolt

* Replace in matched sets (both belts).

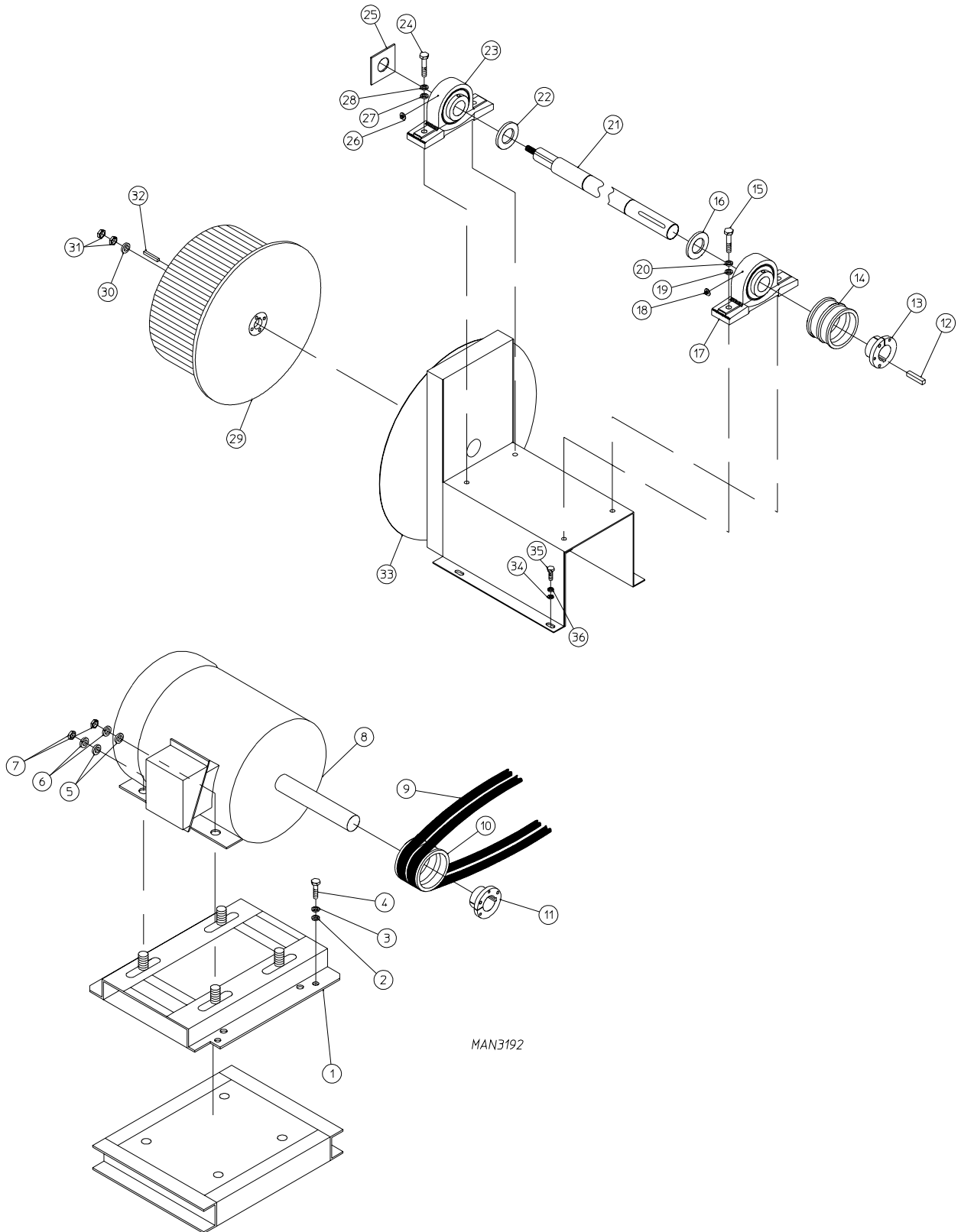
For Gas Models ONLY



<u>Illus. No.</u>	<u>Part No.</u>	<u>Qty.</u>	<u>Description</u>
1	100062	1	Motor Base (213T frame)
2	153004	4	3/8" Flat Washer
3	153005	4	3/8" Lock Washer
4	150617	4	3/8-16 x 1" Hex Head Machine Bolt
5	153004	4	3/8" Flat Washer
6	153005	4	3/8" Lock Washer
7	152005	4	3/8-16 Hex Nut
8	100087	1	15 HP 208-230/380/460 Volt 3 ϕ 60 Hz Motor and 190-220/380-416 Volt 3 ϕ 50 Hz Motor
9*	100161	2	BX-47 V-Belt
10	101195	1	2B x 4.4 Pulley (for 60 Hz models Only)
	101202	1	2B x 5.2 Pulley (for 50 Hz models Only)
11	101152	1	SH x 1-3/8" Bushing (for 60 Hz models Only)
	101194	1	SDS x 1-3/8" Bushing (for 50 Hz models Only)
12	100717	1	5/16" x 5/16" x 2-3/4" Key
13	101184	1	SK x 1-3/8" Bushing
14	101201	1	2B x 9.4 Pulley
15	150600	2	3/8-16 x 1-1/2" Hex Head Machine Bolt
16	100802	1	1-3/8" Retaining Ring (for models mfd. prior to November 7, 1996)
17	880879	1	1-3/8" Shrouded Pillow Block Bearing (includes illus. nos. 17 and 18)
	814488	2	External Grease Fitting Kit
18	170511	1	Grease Fitting
19	153004	2	3/8" Flat Washer
20	153005	2	3/8" Lock Washer
21	332703	1	Fan (impellor/blower) Shaft
22	100802	1	1-3/8" Retaining Ring
23	880879	1	1-3/8" Shrouded Pillow Block Bearing (includes illus. nos. 23 and 26)
24	150600	2	3/8-16 x 1-1/2" Hex Head Machine Bolt
25	116014	1	Felt Seal
26	170511	1	Grease Fitting
27	153004	2	3/8" Flat Washer
28	153005	2	3/8" Lock Washer
29	100653	1	18" Diagram Squirrel Cage Fan
30	153065	1	Fan Washer
31	152006	2	1/2-20 Left Hand Jam Nut
32	100704	1	1/4" x 1/4" x 1-3/4" Key
33	881503	1	Fan (impellor/blower) Shaft Bearing Mount Assembly
34	153004	4	3/8" Flat Washer
35	150617	4	3/8-16 x 1" Hex Head Machine Bolt
36	153005	4	3/8" Lock Washer

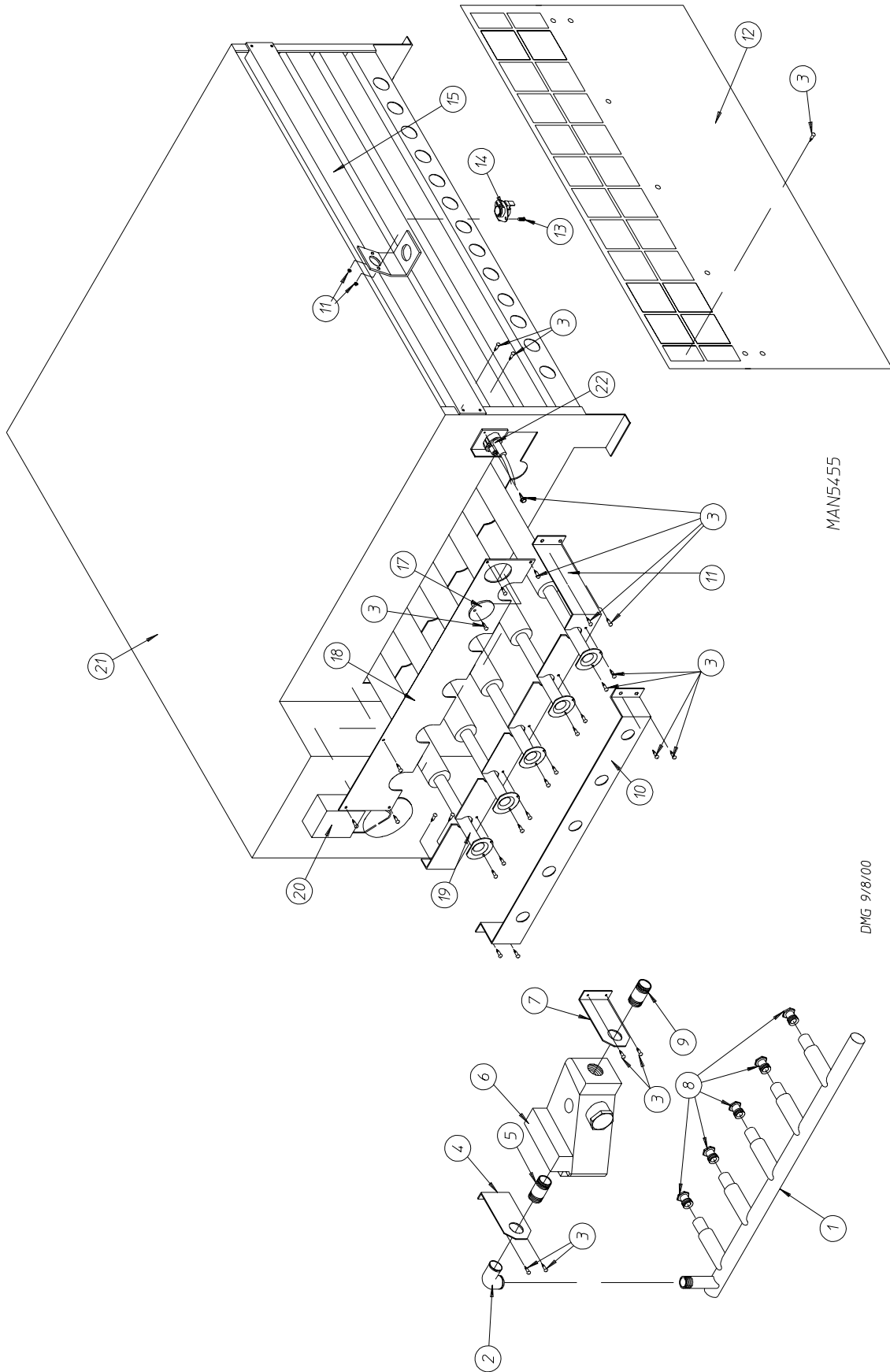
* Replace in matched sets (both belts).

For Steam Models ONLY



<u>Illus. No.</u>	<u>Part No.</u>	<u>Qty.</u>	<u>Description</u>
1	181007	1	Motor Base (256T frame)
2	153014	4	1/2" Flat Washer
3	153026	4	1/2" Lock Washer
4	150605	4	1/2-13 x 1-1/2" Hex Head Machine Bolt
5	153004	4	3/8" Flat Washer
6	153005	4	3/8" Lock Washer
7	152005	4	3/8-16 Hex Nut
8	181006	1	25 HP 208-230/380/460 Volt 3 ϕ 60 Hz Motor and 190-220/380-416 Volt 3 ϕ 50 Hz Motor
9*	100128	2	BX-50 V-Belt
10	101167	1	2B x 6.0 Pulley (for 60 Hz models Only)
	101185	1	2B x 6.2 Pulley (for 50 Hz models Only)
11	101196	1	SDS x 1-5/8" Bushing
12	100709	1	3/8" x 3/8" x 3" Key
13	101150	1	SK x 1-1/2" Bushing
14	101145	1	2B x 11.0 Pulley (for 60 Hz models Only)
	101201	1	2B x 9.4 Pulley (for 50 Hz models Only)
15	150606	2	1/2-13 x 2" Hex Head Machine Bolt
16	100804	1	1-1/2" Retaining Ring
17	880942	1	1-1/2" Shrouded Pillow Block Bearing (includes illus. nos. 17 and 18)
	814488	2	External Grease Fitting Kit
18	170511	1	Grease Fitting
19	153014	2	1/2" Flat Washer
20	153026	2	1/2" Lock Washer
21	334206	1	Fan (impellor/blower) Shaft
22	100804	1	1-1/2" Retaining Ring
23	880942	1	1-1/2" Shrouded Pillow Block Bearing (includes illus. nos. 23 and 26)
24	150606	2	1/2-13 x 2" Hex Head Machine Bolt
25	116014	1	Felt Seal
26	170511	1	Grease Fitting
27	153014	2	1/2" Flat Washer
28	153026	2	1/2" Lock Washer
29	100653	1	18" Diagram Squirrel Cage Fan
30	153065	1	Fan Washer
31	152006	2	1/2-20 Left Hand Jam Nut
32	100704	1	1/4" x 1/4" x 1-3/4" Key
33	881513	1	Fan (impellor/blower) Shaft Bearing Mount Assembly
34	153004	6	3/8" Flat Washer
35	153005	6	3/8" Lock Washer
36	150617	6	3/8-16 x 1" Hex Head Machine Bolt

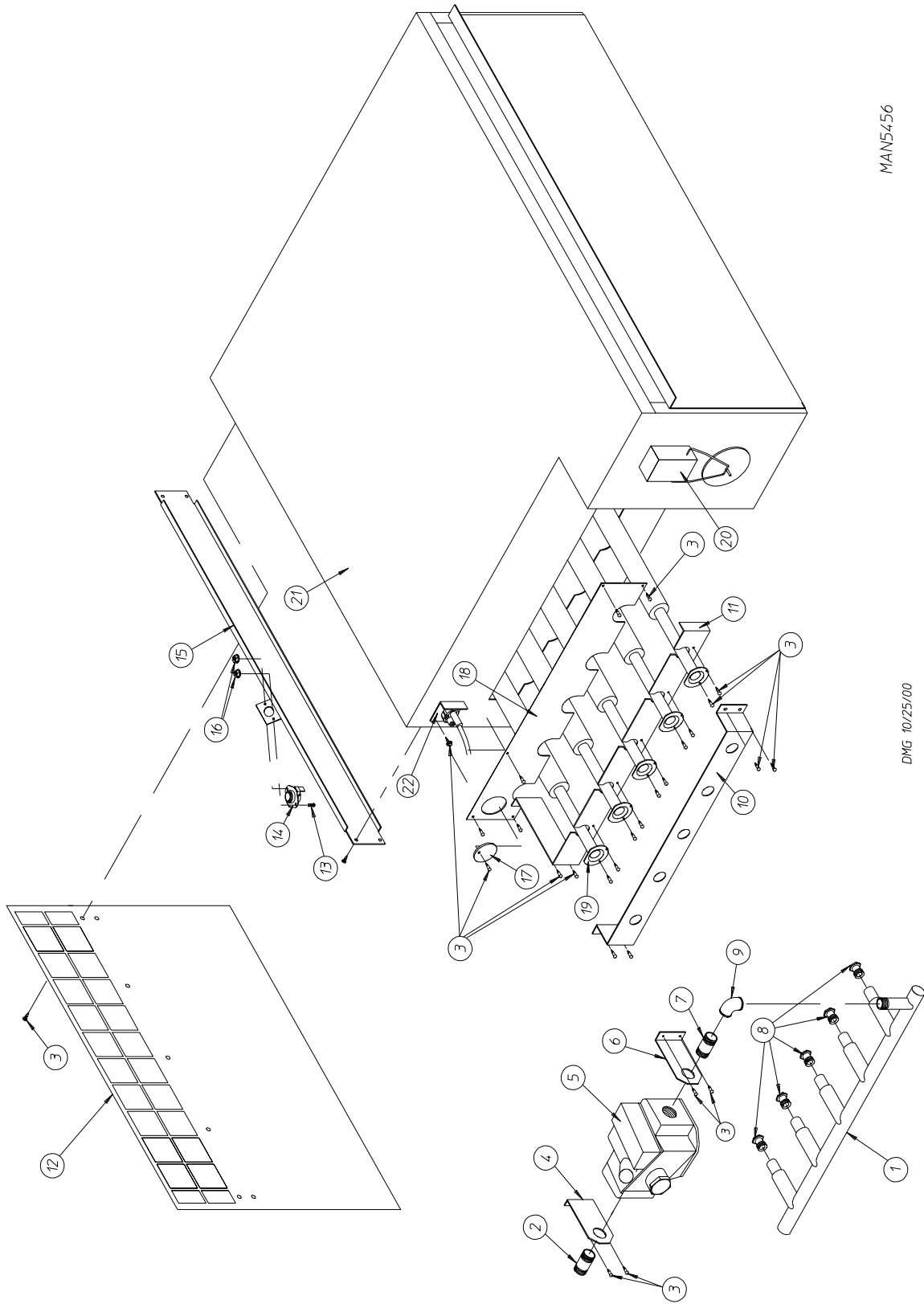
* Replace in matched sets (both belts).



<u>Illus. No.</u>	<u>Part No.</u>	<u>Qty.</u>	<u>Description</u>
1	141241	1	5-Port Front Manifold
2	142548	1	1" x 90° Elbow
3	150309	2	#10-16 x 1/2" Hex Head TEK Crimptite Screw
4	334085	1	Pipe Bracket
5	142724	1	1" x 2" Long Nipple
6	140017	1	1" 24 VAC Natural Gas Valve
	140018	1	1" 24 VAC Gas Valve Liquid Propane (L.P.) Conversion Kit
7	334085	1	Pipe Bracket
8	140834	5	#5 Burner Orifice (natural gas)
	140819	5	#30 Burner Orifice (liquid propane [L.P.] gas)
9	142711	1	1" Close Nipple
10	334086	1	Manifold Rest
11	334083	1	Front Burner Tube Rest
12	333192	1	Burner Baffle
13	150001	1	#6-32 x 1/2" Phillips Round Head Machine Screw
14	130201	1	330° Manual Hi-Limit Thermostat
15	826021	1	Hi-Limit Mounting Bracket
16	151000	2	#6-32 Pal Nut
17	331290	1	Sight Hole Disc
18	332597	1	Burner Box Cover Plate
19	141139	5	Uginox Burner Tube
20	-----	1	Sail Switch (refer to Sail Switch Assembly on page 53)
21	826019	1	Front Burner Box ONLY
	882888**	1	Natural Gas Front Burner Box Assembly Complete Less Orifices (includes illus. nos. 1 through 7 and 9 through 22)
	882890**	1	Liquid Propane (L.P.) Gas Front Burner Box Assembly Complete Less Orifices (includes illus. nos. 1 through 8 and 10 through 22)
	881011*	1	ADG-310 Direct Spark Ignition (DSI) Liquid Propane (L.P.) Conversion Kit (includes orifices)
22	880943	1	Direct Spark Ignition (DSI) Ignitor/Flame-Probe Assembly (includes high voltage [HV] wire and connector)
	305410	1	Ignitor Gap Feeler Gauge ... Not Illustrated

* Contact factory for elevations over 2,000 feet.

** Orifices *are not included* and **must be** ordered separately.



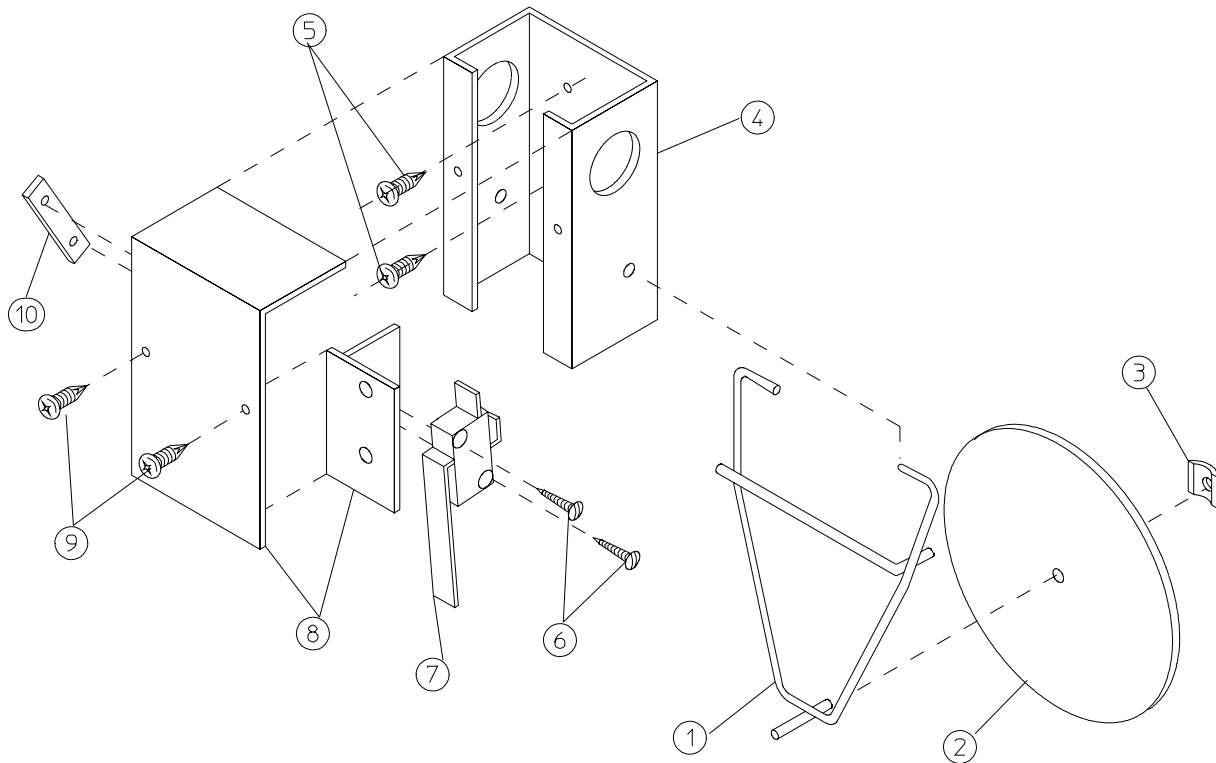
MAN5456

DMG 10/25/00

<u>Illus. No.</u>	<u>Part No.</u>	<u>Qty.</u>	<u>Description</u>
1	141242	1	5-Port Rear Manifold
2	142711	2	1" Close Nipple
3	150309	2	#10-16 x 1/2" Hex Head TEK Crimptite Screw
4	334085	1	Pipe Bracket
5	140017	1	1" 24 VAC Natural Gas Valve
	881011	1	ADG-310 Direct Spark Igniton (DSI) Liquid Propane (L.P.) Conversion Kit (includes orifices)
6	334085	1	Pipe Bracket
7	142724	1	1" x 2" Nipple
8*	140834	5	#5 Burner Orifice (natural gas)
	140819	5	#30 Burner Orifice (liquid propane [L.P.] gas)
9	142548	1	1" x 90° Elbow
10	334086	1	Manifold Rest
11	334084	1	Rear Burner Tube Rest
12	333192	1	Burner Baffle
13	150001	1	#6-32 x 1/2" Phillips Round Head Machine Screw
14	130201	1	330° Manual Hi-Limit Thermostat
15	826021	1	Hi-Limit Mounting Bracket
16	151000	2	#6-32 Pal Nut
17	331290	1	Sight Hole Disc
18	332597	1	Burner Box Cover Plate
19	141139	5	Uginox Burner Tube
20	-----	1	Sail Switch (refer to Sail Switch Assembly on page 53)
21	827002	1	Rear Burner Box ONLY
	882889**	1	Natural Gas Rear Burner Box Assembly Complete Less Orifices (includes illus. nos. 1 through 7 and 9 through 22)
	882891**	1	Liquid Propane (L.P.) Gas Rear Burner Box Assembly Complete Less Orifices (includes illus. nos. 1 through 7 and 9 through 22)
22	880943	1	Direct Spark Ignition (DSI) Ignitor/Flame-Probe Assembly (includes high voltage [HV] wire and connector)
	305410	1	Ignitor Gap Feeler Gauge ... Not Illustrated

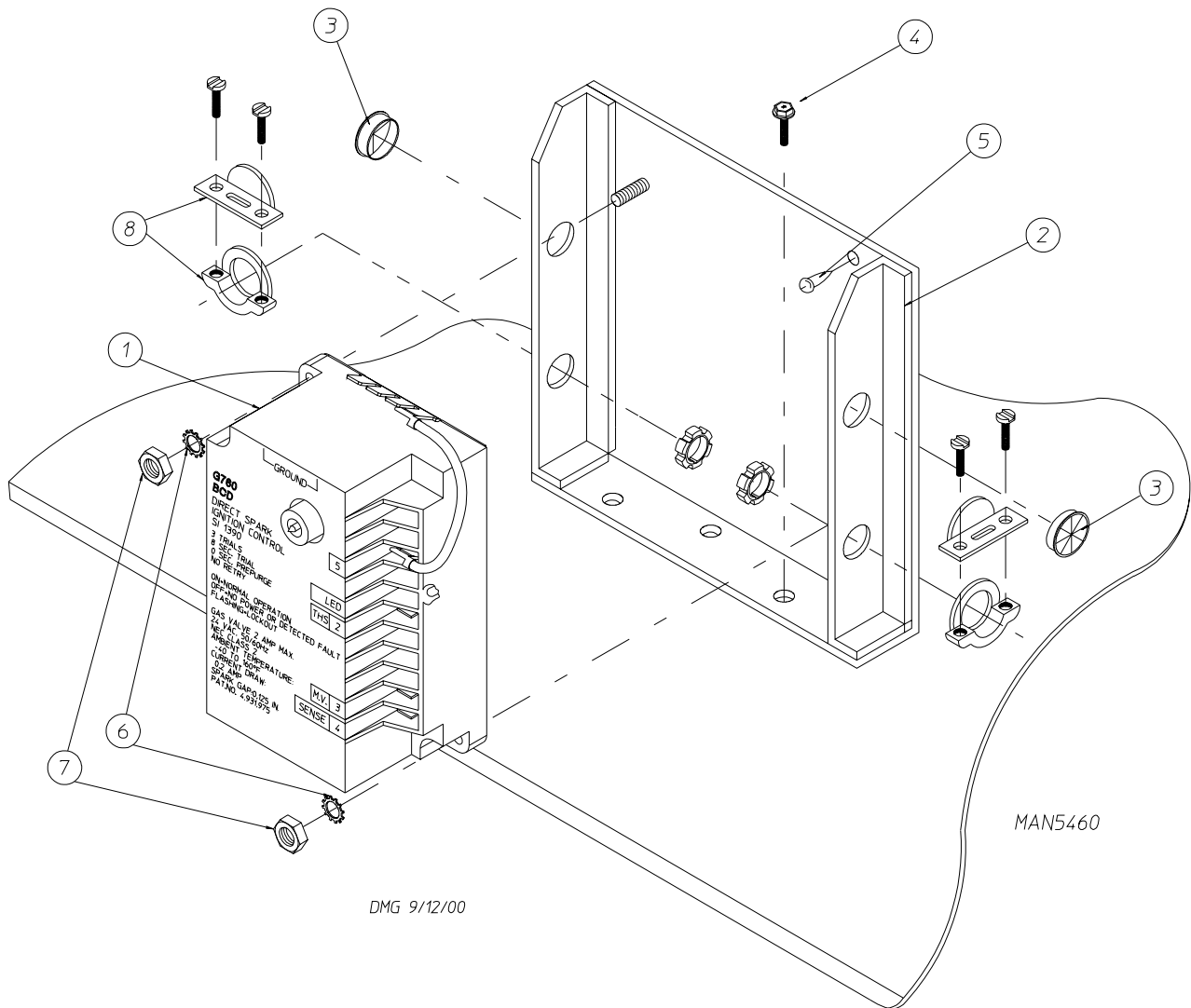
* Consult factory for elevations over 2,000 feet.

** Orifices *are not included* and **must be** ordered separately.

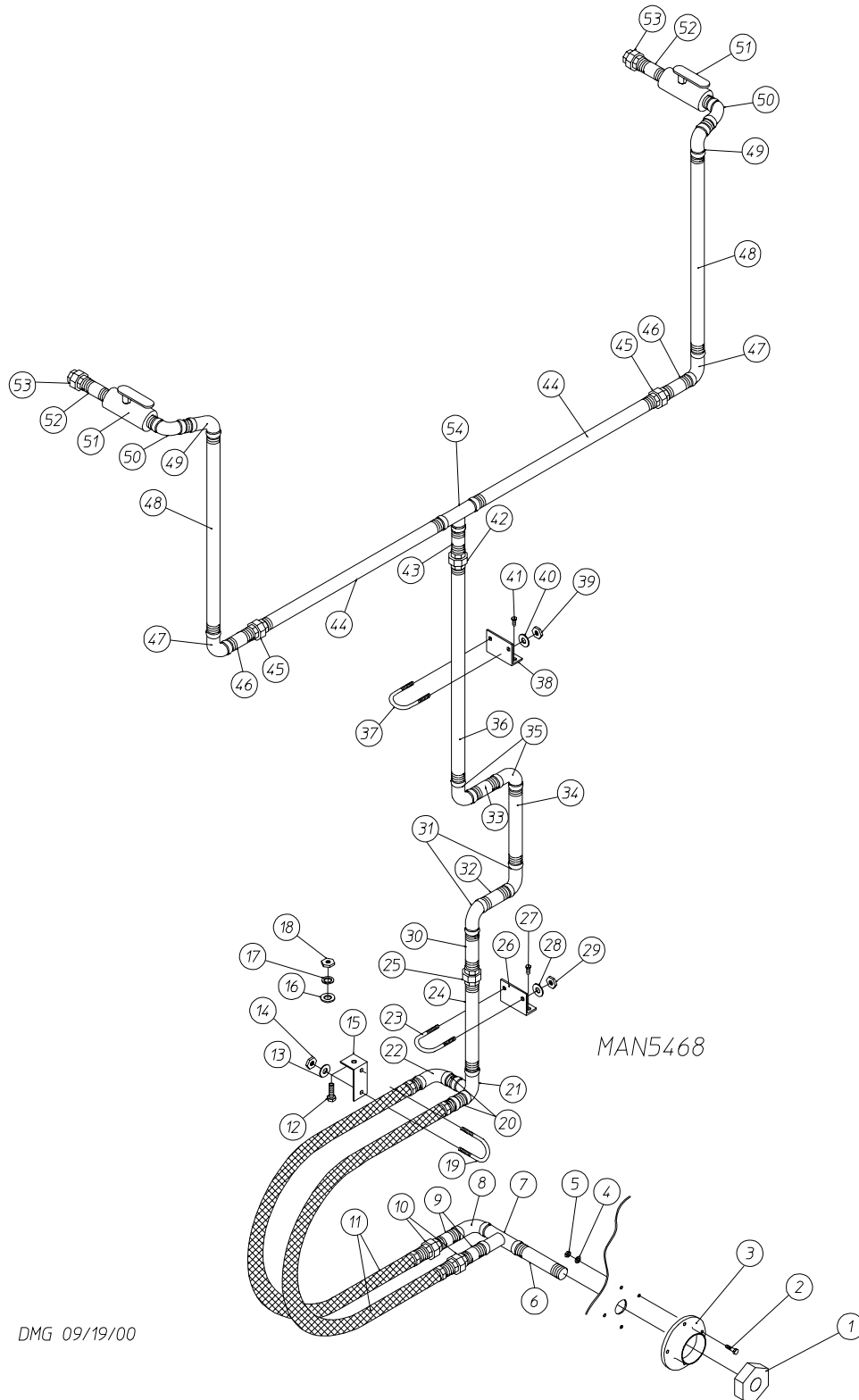


MAN0440

<u>Illus. No.</u>	<u>Part No.</u>	<u>Qty.</u>	<u>Description</u>
1	105500	1	Sail Switch Actuator Rod
2	332689	1	Sail Switch Damper (flat)
3	154002	1	1/8" Push On Fastener
4	802800	1	Sail Switch Box with Cover and Bracket ONLY (includes illus. nos. 4 and 8)
	881376	1	Sail Switch Box Assembly Complete (includes illus. nos. 1 through 4 and 6 through 10)
5	150300	2	#10 x 1/2" Hex Washer TEK Screw
6	150303	2	#4 x 3/4" Pan Head "A" Machine Screw
7	122404	1	Sail Switch ONLY
8	802799	1	Sail Switch Box Cover and Bracket ONLY
9	150415	2	#10-16 x 1/2" Phillips Round Head Crimpite Screw
10	154004	1	Twin Speed Nut



Illus. No.	Part No.	Qty.	Description
1	128935	1	Direct Spark Ignition (DSI) Module ONLY - 50/60 Hz (for models mfd. as of April 1, 2000)
	880815	1	Direct Spark Ignition (DSI) Module ONLY - 50/60 Hz (for models mfd. prior to April 1, 2000)
2	820100	1	Direct Spark Ignition (DSI) Module Mount Assembly ONLY
3	121400	2	Universal Bushing
4	150522	3	1/4-20 x 1/2" Hex Head TEK Screw
5	150301	1	#8-18 x 7/16" Phillips Pan Head TEK Screw
6	153010	4	#6 Star Washer
7	152000	4	#6-32 Hex Nut
8	120102	2	3/8" Straight x 1/2" Knock-Out Connector

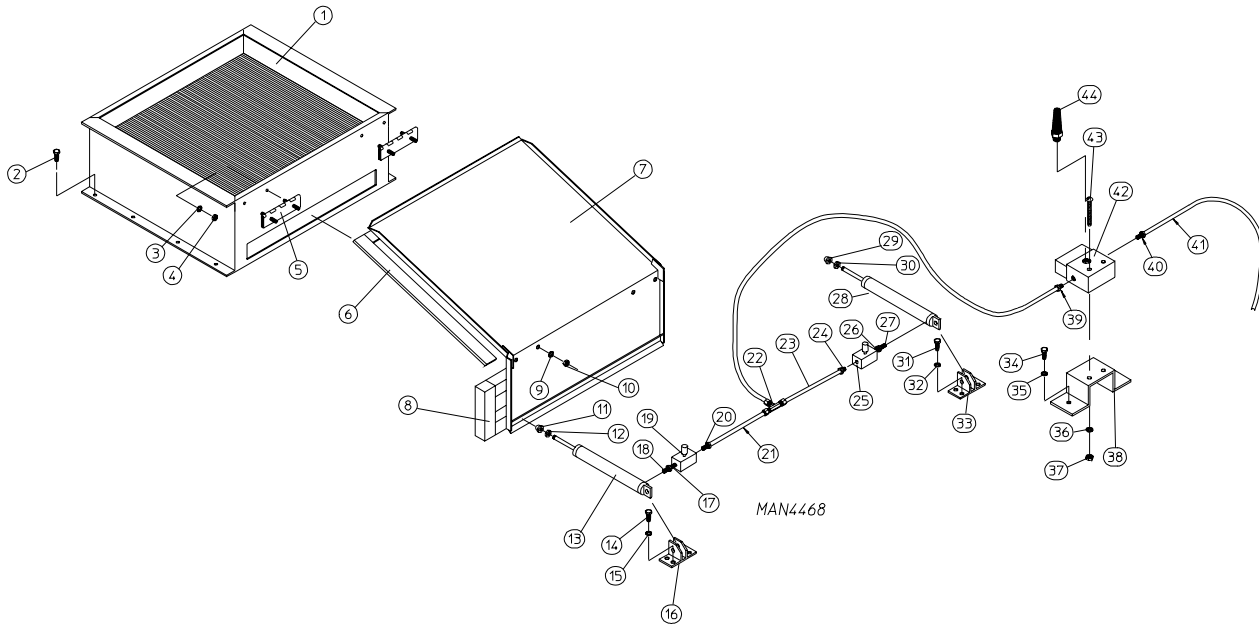


<u>Illus. No.</u>	<u>Part No.</u>	<u>Qty.</u>	<u>Description</u>
1	142931	1	2" x 1-1/2" Double Tapped Bushing
2	150504	4	5/16-18 x 1" Hex Head Machine Bolt
3	142514	1	2" Floor Flange
4	153002	4	5/16" Lock Washer
5	152004	4	5/16-18 Hex Nut
6	142568	1	1-1/2" x 8" Nipple
7	142611	1	1-1/2" x 1-1/4" x 1/4" Tee
8	142522	1	1-1/4" x 90° Street Elbow
9	142725	2	1-1/4" x 2" Nipple
10	142558	2	1-1/4" Union
11	141416	2	1-1/4" x 48" Flex Hose (non-swivel ends)
12	150511	4	1/4-20 x 1" Hex Head Machine Bolt
13	153002	4	5/16" Lock Washer
14	152004	4	5/16-18 Hex Nut
15	333073	2	Flex Hose Bracket
16	153018	4	1/4" Flat Washer
17	153007	4	1/4" Lock Washer
18	152002	4	1/4-20 Hex Nut
19	154351	2	1-1/2" U-Bolt
20	142914	2	1-1/2" to 1-1/4" Reducing Bushing
21	142845	1	1-1/2" Side Outlet Elbow
22	142522	1	1-1/4" x 90° Elbow
23	154351	1	1-1/2" U-Bolt
24	142596	1	1-1/2" x 5" Nipple
25	142603	1	1-1/2" Union
26	333156	1	Pipe Bracket
27	150309	2	#10-16 x 1/2" Hex Head TEK Crimptite Screw
28	153002	2	5/16" Lock Washer
29	152004	2	5/16-18 Hex Nut
30	142738	1	1-1/2" x 2" Nipple
31	142915	2	1-1/2" x 45° Elbow
32	142567	1	1-1/2" x 6" Nipple
33	142738	1	1-1/2" x 2" Nipple
34	142904	1	1-1/2" x 18" Nipple
35	142512	2	1-1/2" x 90° Elbow
36	142736	1	1-1/2" x 20" Nipple
37	154351	1	1-1/2" U-Bolt
38	332533	1	Pipe Bracket
39	152004	2	5/16-18 Hex Nut
40	153002	2	5/16" Lock Washer
41	150309	2	#10-16 x 1/2" Hex Head TEK Crimptite Screw
42	142603	1	1-1/2" Union
43	142827	1	1-1/2" x 2-1/2" Nipple

continued on page 57

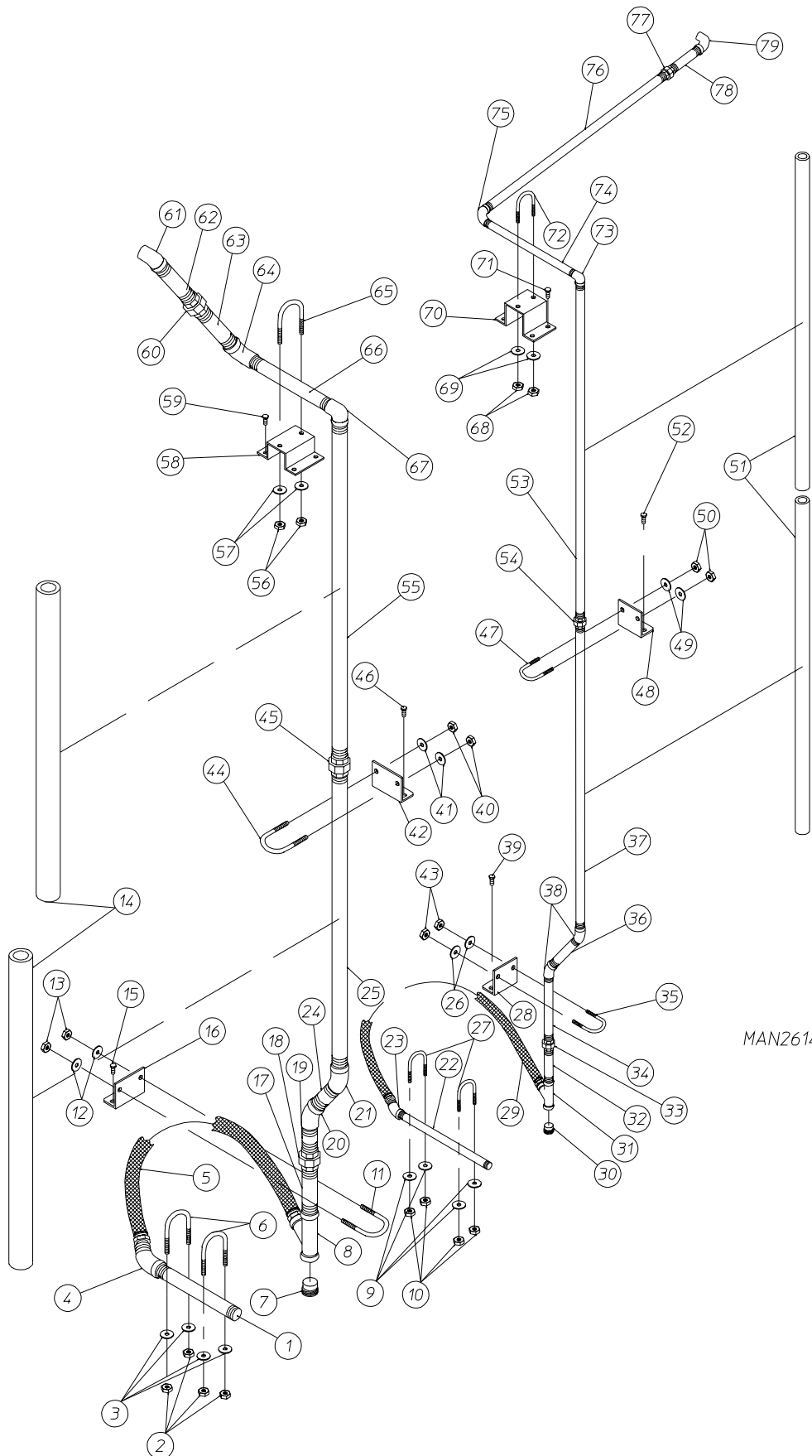
continued from page 56

<u>Illus. No.</u>	<u>Part No.</u>	<u>Qty.</u>	<u>Description</u>
44	142842	2	1-1/4" x 19" Nipple
45	142558	2	1-1/4" Union
46	142725	2	1-1/4" x 2" Nipple
47	142554	2	1-1/4" x 90° Elbow
48	142575	2	1-1/4" x 18" Nipple
49	142728	2	1-1/4" to 1" Reducing Elbow
50	142844	2	1" x 45° Male Elbow
51	141302	2	1" Shutoff
52	142808	2	1" x 3" Nipple
53	142602	2	1" Union
54	142841	1	1-1/4" x 1-1/4" x 1-1/2" Tee



<u>Illus. No.</u>	<u>Part No.</u>	<u>Qty.</u>	<u>Description</u>
1	165034	1	Steam Coil Assembly
2	150523	8	1/4-20 x 3/4" Hex Washer Machine Bolt
3	153007	4	1/4" Lock Washer
4	152002	4	1/4-20 Hex Nut
5	820321	2	Steam Damper Hinge Assembly
6	115995	144	Steam Damper Gasket (sold by the inch)
7	-----	1	Steam Damper Assembly (includes illus. nos. 6 through 8)
8	102350	2	Steam Damper Foam
9	153007	4	1/4" Lock Washer
10	152002	4	1/4-20 Hex Nut
11	151008	1	5/8-18 Stainless Steel Acorn Nut
12	152030	1	5/8-18 Jam Nut
13	100542	1	2" Bore x 4" Stroke Piston (for models mfd. as of January 21, 1999)
	882197	1	2" Bore x 4" Stroke Piston (for models mfd. prior to January 21, 1999)
14	150523	4	1/4-20 x 3/4" Hex Washer Machine Bolt (for models mfd. as of January 21, 1999)
	152002	4	1/4-20 Hex Nut ... Not Illustrated (for models mfd. prior to January 21, 1999)

<u>Illus. No.</u>	<u>Part No.</u>	<u>Qty.</u>	<u>Description</u>
15	153007	4	1/4" Lock Washer
16	100544	1	Piston Support Bracket with Pivot Pin
17	143238	1	1/8" Brass Close Nipple
18	143264	1	1/4" Poly to 1/8" Brass Reducing Bushing
19	100496	1	1/8" Needle Valve
20	100472	1	1/4" Poly x 1/8" M.P.T. Connector
21	143115	-	1/4" O.D. Tubing (sold by the foot)
22	143156	1	1/4" Poly Tee
23	143115	-	1/4" O.D. Tubing (sold by the foot)
24	100472	1	1/4" Poly x 1/8" M.P.T. Connector
25	100496	1	1/8" Needle Valve
26	143264	1	1/4" Poly to 1/8" Brass Reducing Bushing
27	143238	1	1/8" Brass Close Nipple
28	100542	1	2" Bore x 4" Stroke Piston
29	151008	1	5/8-18 Stainless Steel Acorn Nut
30	153030	1	5/8-18 Jam Nut
31	150523	4	1/4-20 x 3/4" Hex Washer Machine Bolt
32	153007	2	1/4" Lock Washer
33	100544	1	Piston Support Bracket with Pivot Pin
34	150522	2	1/4-20 Hex Washer Head Machine Screw
35	153007	2	1/4" Lock Washer
36	153010	2	#6 Star Washer
37	152000	2	#6-32 Hex Nut
38	330987	1	Micro Valve Support
39	100472	1	1/4" Poly x 1/8" M.P.T. Connector
40	100472	1	1/4" Poly x 1/8" M.P.T. Connector
41	143115	-	1/4" O.D. Tubing (sold by the foot)
42	100498	1	3-Way Micro Valve - 24 VAC
43	150002	2	#6-32 x 1" Phillips Round Head Machine Screw
44	100520	1	1/8" N.P.T. Silencer (muffler)



MAN2614

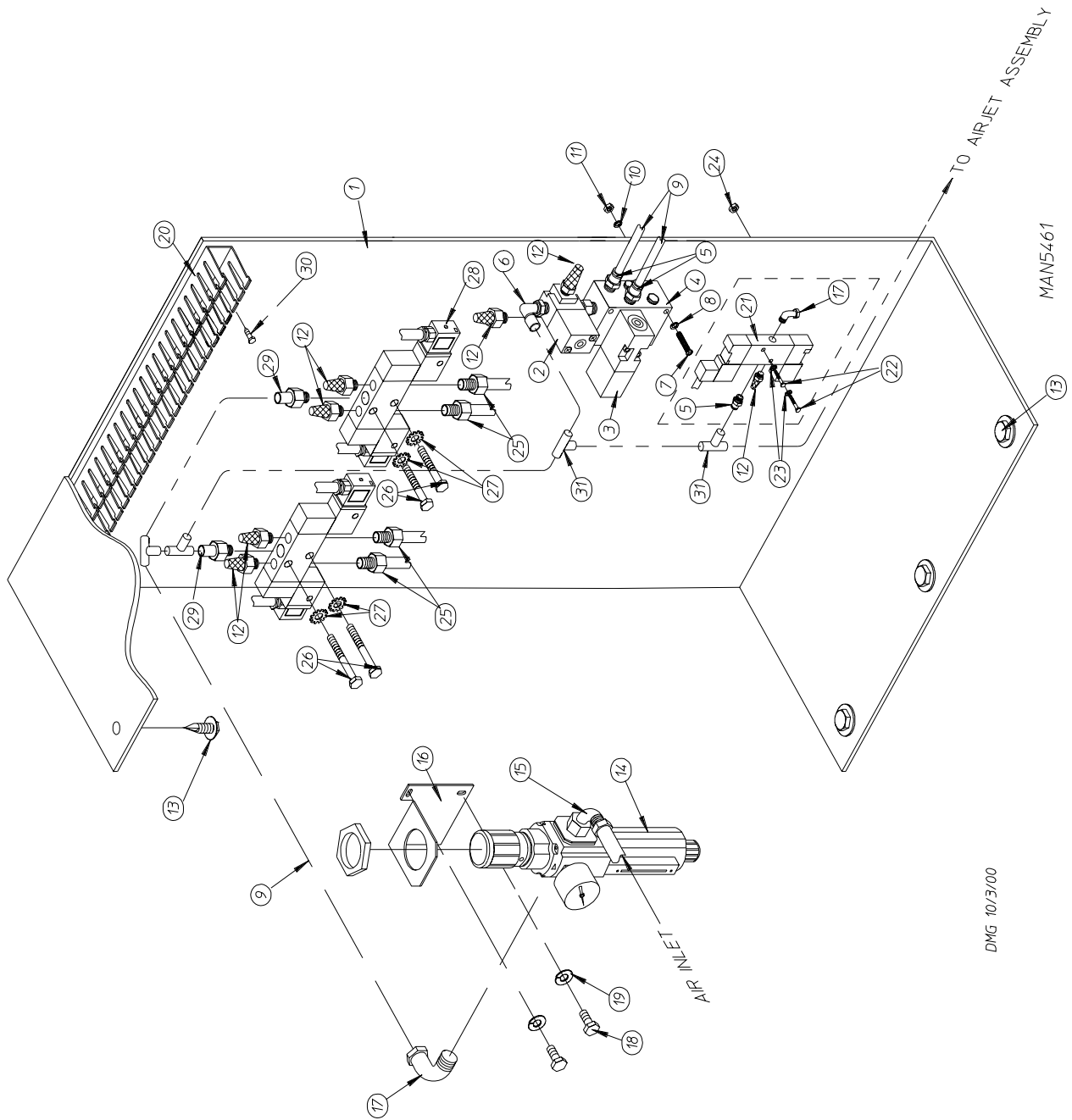
<u>Illus. No.</u>	<u>Part No.</u>	<u>Qty.</u>	<u>Description</u>
1	142534	1	2" x 12" Nipple
2	152004	4	5/16-18 Hex Nut
3	153002	4	5/16" Lock Washer
4	142550	1	2" x 45° Elbow
5	143125	1	2" x 72" Flex Hose
6	154352	2	2" U-Bolt
7	142747	1	1/2" Pipe Plug
8	142920	1	2" x 1/2" x 2" Tee
9	153002	4	5/16" Lock Washer
10	152004	4	5/16-18 Hex Nut
11	154352	1	2" U-Bolt
12	153002	2	5/16" Lock Washer
13	152004	4	5/16-18 Hex Nut
14	142991	2	2" x 36" Pipe Insulation
15	150522	2	1/4-20 x 1/2" Hex Washer Head Machine Screw
16	332533	1	Pipe Bracket
17	142835	1	2" x 4-1/2" Nipple
18	142542	1	2" Union
19	142836	1	2" x 2-1/2" Nipple
20	142550	1	2" x 45° Elbow
21	142550	1	2" x 45° Elbow
22	142556	1	1-1/4" x 12" Nipple
23	142560	1	1-1/4" x 45° Elbow
24	142836	1	2" x 2-1/2" Nipple
25	142538	1	2" x 36" Nipple
26	153002	2	5/16" Lock Washer
27	154353	2	1-1/4" U-Bolt
28	332533	1	Pipe Bracket
29	143126	1	1-1/4" x 60" Flex Hose
30	142928	1	1-1/4" Pipe Plug
31	142922	1	1-1/4" Tee
32	142559	1	1-1/4" x 6" Nipple
33	142558	1	1/4" Union
34	142725	1	1/4" x 2" Nipple
35	154353	1	1-1/4" U-Bolt
36	142725	1	1/4" x 2" Nipple
37	142726	1	1-1/4" x 24" Nipple
38	142560	2	1-1/4" x 45° Elbow
39	150522	2	1/4-20 x 1/2" Hex Washer Head Machine Screw
40	152004	2	5/16-24 Hex Nut

continued on page 62

continued from page 61

<u>Illus. No.</u>	<u>Part No.</u>	<u>Qty.</u>	<u>Description</u>
41	153002	2	5/16" Lock Washer
42	332533	1	Pipe Bracket
43	152004	2	5/16-24 Hex Nut
44	154352	1	2" U-Bolt
45	142542	1	2" Union
46	150522	2	1/4-20 x 1/2" Hex Washer Head Machine Screw
47	154353	1	1-1/4" U-Bolt
48	332533	1	Pipe Bracket
49	153002	2	5/16" Lock Washer
50	152004	2	5/16-18 Hex Nut
51	142992	2	1-1/4" x 36" Pipe Insulation
52	150522	2	1/4-20 x 1/2" Hex Washer Head Machine Screw
53	142726	1	1-1/4" x 24" Nipple
54	142558	1	1-1/4" Union
55	142535	1	2" x 18" Nipple
56	152004	2	5/16-24 Hex Nut
57	153002	2	5/16" Lock Washer
58	332526	1	Top Pipe Bracket
59	150522	4	1/4-20 x 1/2" Hex Washer Head Machine Screw
60	142542	1	2" Union
61	142541	1	2" x 90° Elbow
62	142592	1	2" x 4" Nipple
63	142535	1	2" x 18" Nipple
64	142541	1	2" x 90° Elbow
65	154352	1	2" U-Bolt
66	142595	1	2" x 7" Nipple
67	142541	1	2" x 90° Elbow
68	152004	2	5/16-18" Hex Nut
69	153002	2	5/16" Lock Washer
70	332526	1	Top Pipe Bracket
71	150522	4	1/4-20 x 1/2" Hex Washer Head Machine Screw
72	154353	1	1-1/4" U-Bolt
73	142554	1	1-1/4" 90° Elbow
74	142729	1	1-1/4" x 8" Nipple
75	142554	1	1-1/4" 90° Elbow
76	142575	1	1-1/4" x 18" Nipple
77	142558	1	1-1/4" Union
78	142727	1	1-1/4" x 4" Nipple
79	142900	1	2" to 1-1/4" x 90° Reducing Elbow

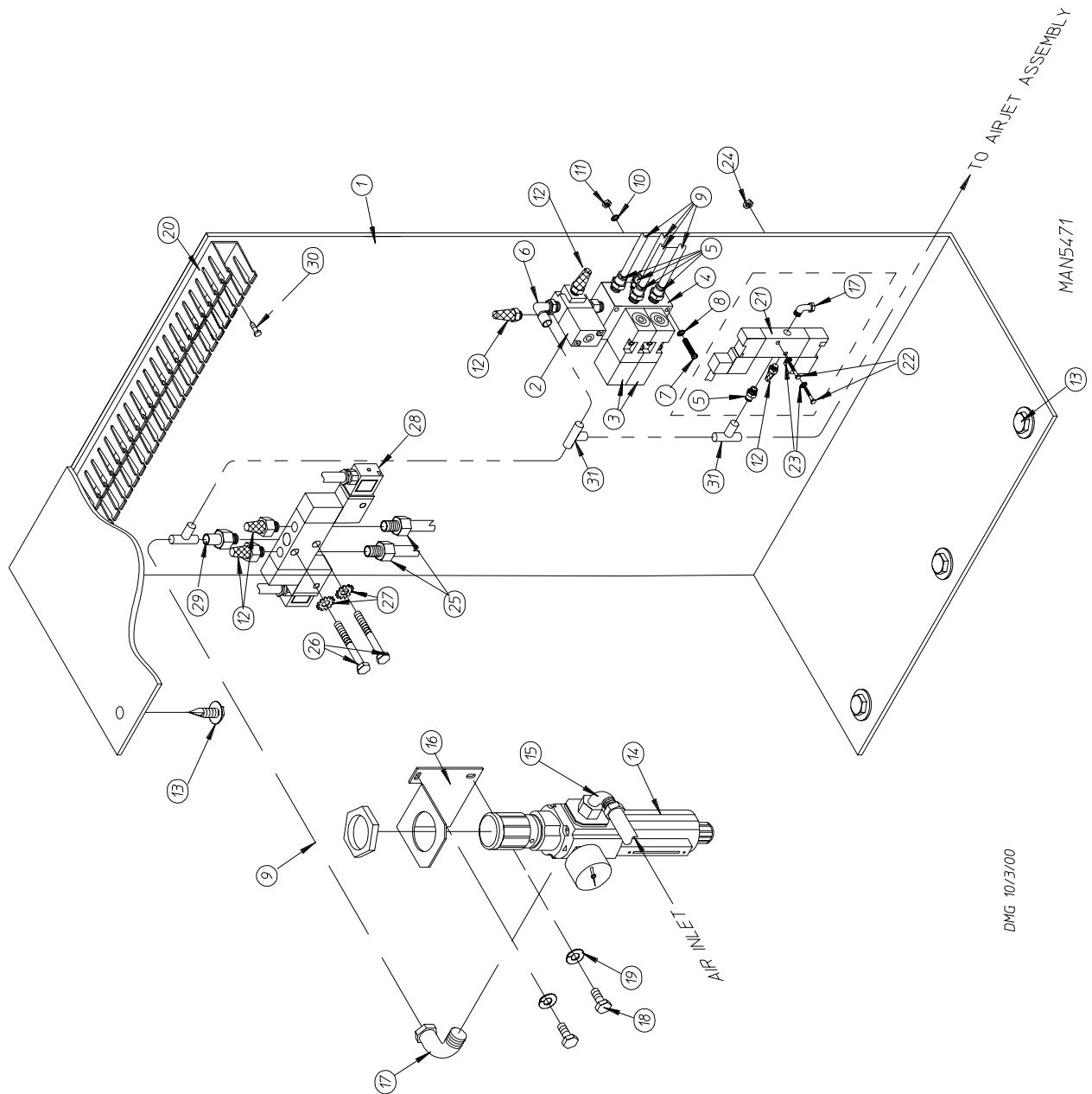
Pneumatic Valve Assembly 1 Auto Door/2-Way Tilt w/Optional Sprinkler 63



64 Pneumatic Valve Assembly 1 Auto Door/2-Way Tilt w/ Optional Sprinkler

<u>Illus. No.</u>	<u>Part No.</u>	<u>Qty.</u>	<u>Description</u>
1	826810	1	Pneumatic Plate ONLY
2	100498	1	3-Way MAC Valve - 24 VAC
3	100545	1	MAC Valve 24 VAC
4	100521	1	1 Auto Door Pneumatic Valve Assembly (includes illus. nos. 2 through 5)
5	100472	2	1/4" Poly x 1/8" M.P.T. Connector
6	143149	1	1/4" Poly x 1/8" M.P.T. 90° Elbow
7	150002	2	#6-32 x 1" Phillips Round Head Machine Screw
8	153010	2	#6 Star Washer
9	143115	*	1/4" O.D. Nylo-Seal Tubing (sold by the foot)
10	153008	2	#6 Lock Washer
11	152000	2	#6-32 Hex Nut
12	100520	7	1/8" Muffler (silencer)
13	150522	6	1/4-20 x 1/2" Hex Washer
14	100479	1	Filter Regulator with Gauge
15	143213	1	3/8" Poly x 3/8" Elbow Brass
16	332624	1	3/8" Norgren Filter/Regulator Adapter Bracket
17	143153	1	1/4" Poly x 1/4" Male N.P.T. 90° Elbow
18	151001	2	#8-32 Hex Nut
19	153007	2	1/4" Lock Washer
20	121429	14"	1" x 2" Wiring Duct (sold by the inch)
21	100522	1	Double Acting Sprinkler Solenoid Valve 120 VAC
22	150008	2	#6-32 x 1-1/4" Phillips Pan Head Machine Screw
23	153010	2	#6 Star Washer
24	152000	2	#6-32 Hex Nut
25	143166	4	1/4" M.P.T. x 3/8" Poly Connector
26	150109	4	#8-32 x 2" Screw
27	153012	4	#8 Star Washer
28	100528	2	Tilting Solenoid 24 VAC, 5-Port, 3-Position
29	143165	2	1/4" M.P.T. x 1/4" Tube Connector
30	150309	5	#10-16 x 1/2" Hex Head TEK Crimptite Screw
31	143115	4	1/4" Poly-Flo Tee

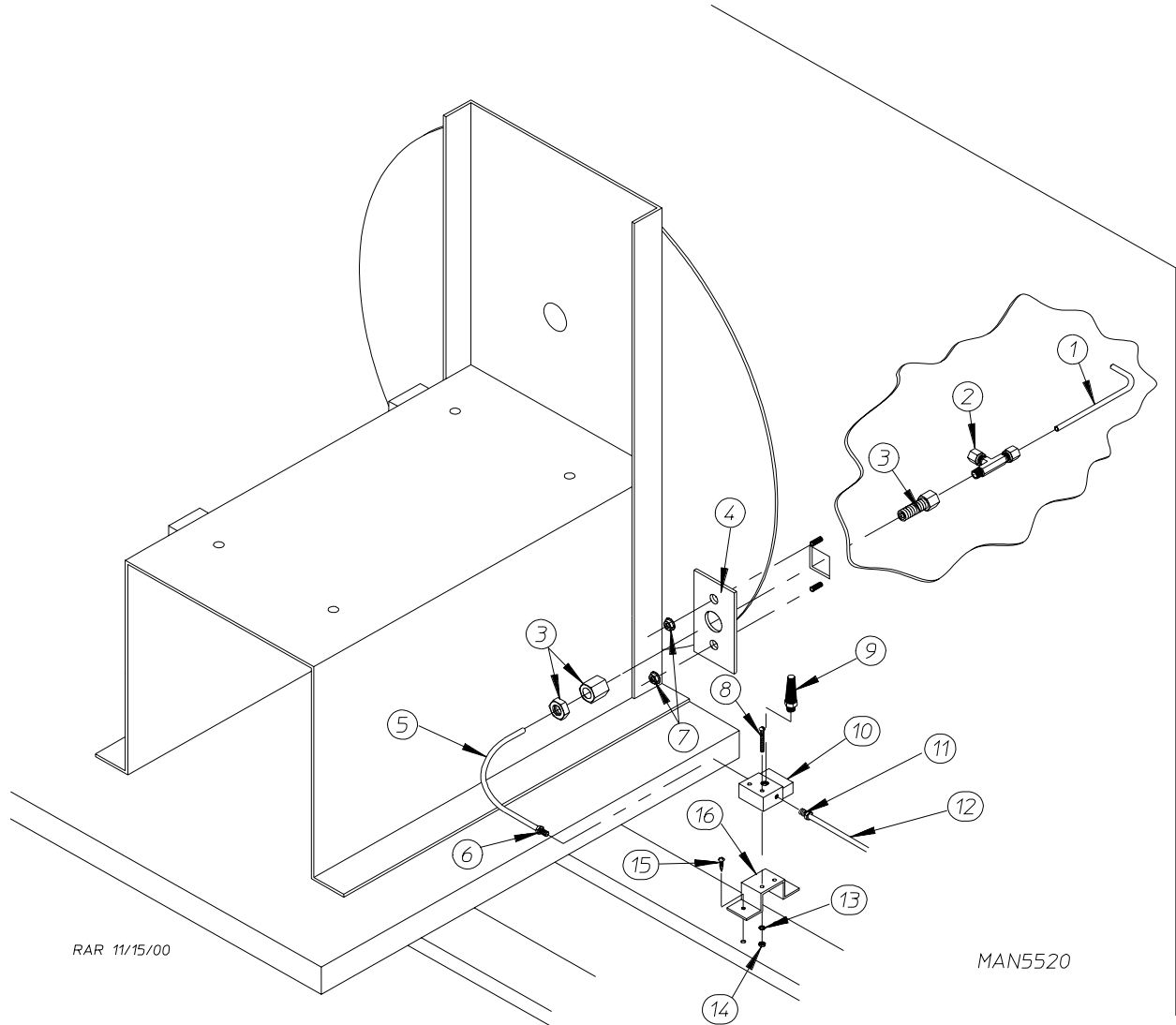
Pneumatic Valve Assembly 2 Auto Doors/1-Way Tilt w/Optional Sprinkler65



66 Pneumatic Valve Assembly 2 Auto Door/1-Way Tilt w/Optional Sprinkler

<u>Illus. No.</u>	<u>Part No.</u>	<u>Qty.</u>	<u>Description</u>
1	826810	1	Pneumatic Plate ONLY
2	100498	1	3-Way MAC Valve - 24 VAC
3	100545	2	MAC Valve 24 VAC
4	803402	1	2 Auto Doors Pneumatic Valve Assembly (includes illus. nos. 2 through 5)
5	100472	2	1/4" Poly x 1/8" M.P.T. Connector
6	143149	1	1/4" Poly x 1/8" M.P.T. 90° Elbow
7	150002	2	#6-32 x 1" Phillips Round Head Machine Screw
8	153010	2	#6 Star Washer
9	143115	*	1/4" O.D. Nylo-Seal Tubing (sold by the foot)
10	153008	2	#6 Lock Washer
11	152000	2	#6-32 Hex Nut
12	100520	7	1/8" Muffler (silencer)
13	150522	6	1/4-20 x 1/2" Hex Washer
14	100479	1	Filter Regulator with Gauge
15	143213	1	3/8" Poly x 3/8" Elbow Brass
16	332624	1	3/8" Norgren Filter/Regulator Adapter Bracket
17	143153	1	1/4" Poly x 1/4" Male N.P.T. 90° Elbow
18	151001	2	#8-32 Hex Nut
19	153007	2	1/4" Lock Washer
20	121429	14"	1" x 2" Wiring Duct (sold by the inch)
21	100522	1	Double Acting Sprinkler Solenoid Valve 120 VAC
22	150008	2	#6-32 x 1-1/4" Phillips Pan Head Machine Screw
23	153010	2	#6 Star Washer
24	152000	2	#6-32 Hex Nut
25	143166	2	1/4" M.P.T. x 3/8" Poly Connector
26	150109	4	#8-32 x 2" Screw
27	153012	4	#8 Star Washer
28	100528	1	Tilting Solenoid 24 VAC, 5-Port, 3-Position
29	143165	2	1/4" M.P.T. x 1/4" Tube Connector
30	150309	5	#10-16 x 1/2" Hex Head TEK Crimptite Screw
31	143115	4	1/4" Poly-Flo Tee

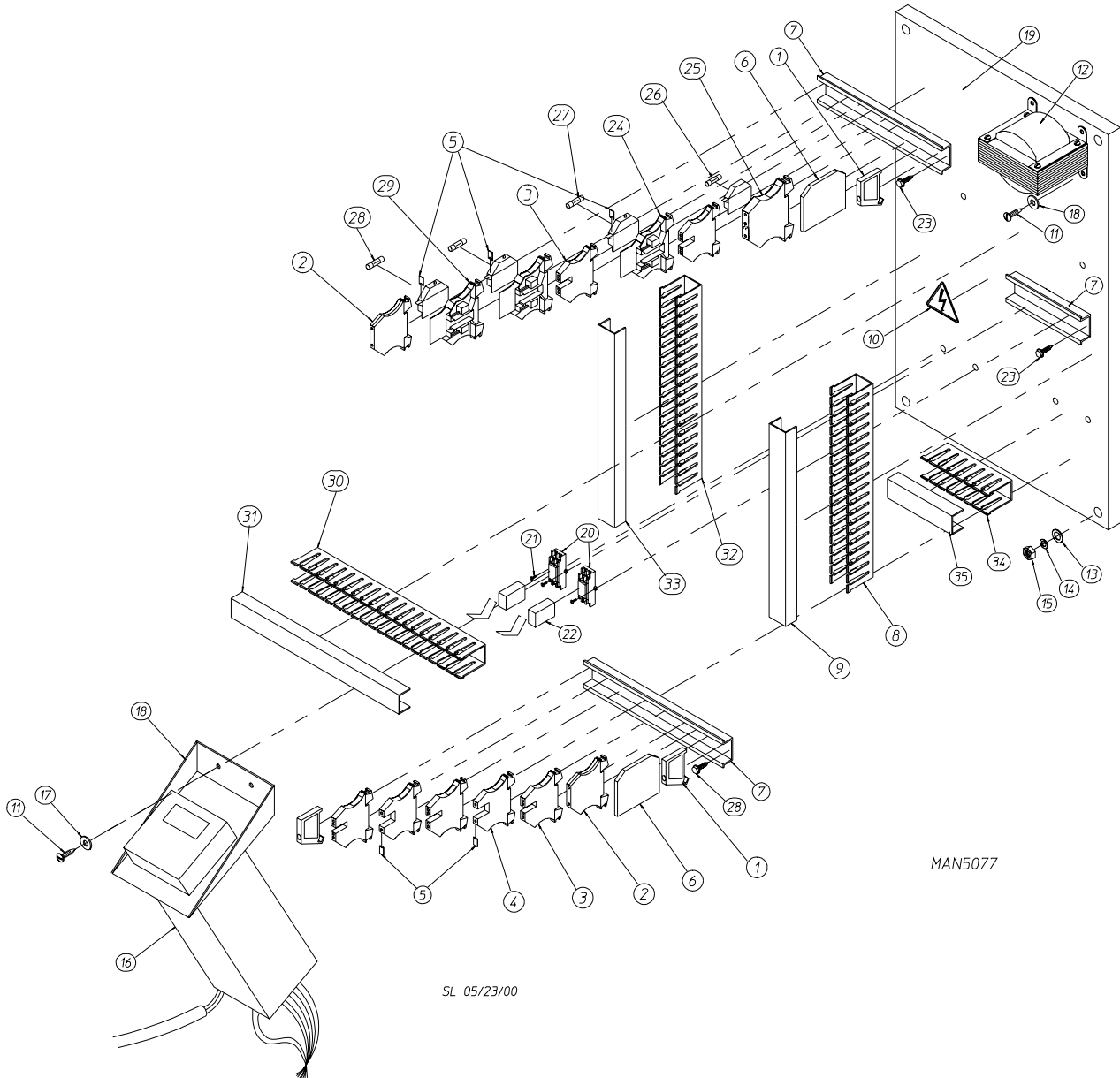
* As Required.



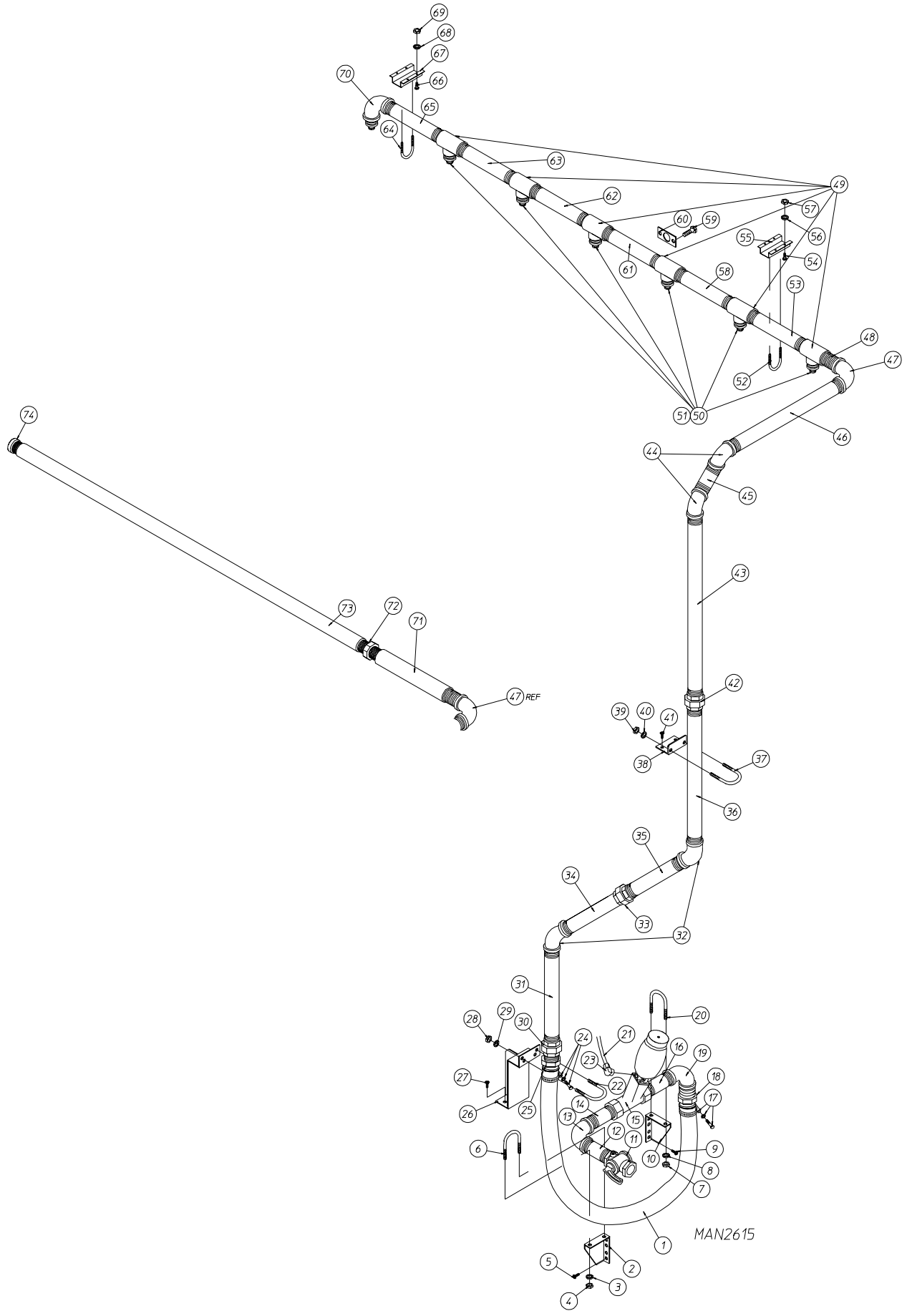
RAR 11/15/00

MAN5520

<u>Illus. No.</u>	<u>Part No.</u>	<u>Qty.</u>	<u>Description</u>
1	332700	1	Air Jet Tube
2	143287	1	1/4" x 1/8" M.P.T. Tee
3	143259	1	1/4" Compression x 1/8" F.P.T. Bulkhead Fitting
4	332531	1	Air Jet Mounting Plate
5	143100	1	1/4" Aluminum Tube (sold by the foot)
6	143152	1	1/4" Compression x 1/8" M.P.T. Connector
7	152014	2	1/4-20 Free Spin Nut
8	150002	1	#6-32 x 1" Phillips Round Head Machine Screw
9	100520	1	1/8" N.P.T. Silencer/Muffler
10	100498	1	3-Way Micro Valve
11	100472	1	1/4" Poly x 1/8" M.P.T. Connector
12	143110	10	1/4" Poly-Flo Tubing (sold by the foot)
13	153010	2	#6 Star Washer
14	152000	2	#6-32 Hex Nut
15	150415	2	#10-16 x 1/2" Phillips Round Head Crimpite Screw
16	330987	1	Micro Valve Support Bracket



<u>Illus. No.</u>	<u>Part No.</u>	<u>Qty.</u>	<u>Description</u>
1	120765	2	Standard End Stop
2	120750	2	Ground Terminal Block
3	120761	8	4-Position Feed Thru Terminal Block
4	120758	7	Feed Thru Terminal Block
5	120999	5	Blank Marking Tags
6	120766	2	End Section
7	120768	16	35 x 15mm Din Mounting Rail
8	121429	12	Slotted Wall Wire Duct
9	121422	12	1" Wireway Cover
10	122424	1	Power Warning Label
11	150108	6	#8-32 x 1/2" Phillips Pan Head Machine Screw
12	132091	1	208/240v to 120v Transformer
	132092	1	380/400v to 120v Transformer
	132006	1	416v to 120v Transformer
	132078	1	480v to 120v Transformer
13	153004	4	3/8" Flat Washer
14	153005	4	3/8" Lock Washer
15	152005	4	3/8-16 Hex Nut
16	881249	1	°C/°F Digital Temperature Controller Assembly
17	153000	6	#8 Flat Washers
18	333002	1	Sprinkler Mounting Bracket
19	334269	1	Sprinkler Panel ONLY
	814332	1	Sprinkler Panel Assembly Complete (includes illus. nos. 1 through 35)
20	131410	2	Double-Pole-Double-Throw (DPDT) Relay Socket
21	131411	4	Hold Down For Double-Pole-Double-Throw (DPDT) Relay
22	131405	2	Double-Pole-Double-Throw (DPDT) Relay with Smoked Case
23	150300	10	#10 x 3/8" Self Drilling Screw
24	120756	1	1/4" Fuse Terminal Block with Light Emitting Diode (L.E.D.)
25	120754	1	5 x 20mm Fuse Terminal Block with Light Emitting Diode (L.E.D.)
26	136039	1	1/4-Amp 5 x 20mm Fuse
27	136033	1	3-Amp Fuse
28	136050	1	1-Amp (slo blo) Fuse 208/240v ONLY
	136057	1	5-Amp (slo blo) Fuse 380-460v ONLY
29	120721	2	Fused Disconnect Terminal Block
30	121422	8	1" Wireway Cover
31	121429	8	Slotted Wall Wire Duct
32	121429	14	Slotted Wall Wire Duct
33	121422	14	1" Wireway Cover
34	121429	4	Slotted Wall Wire Duct
35	121422	4	1" Wireway Cover

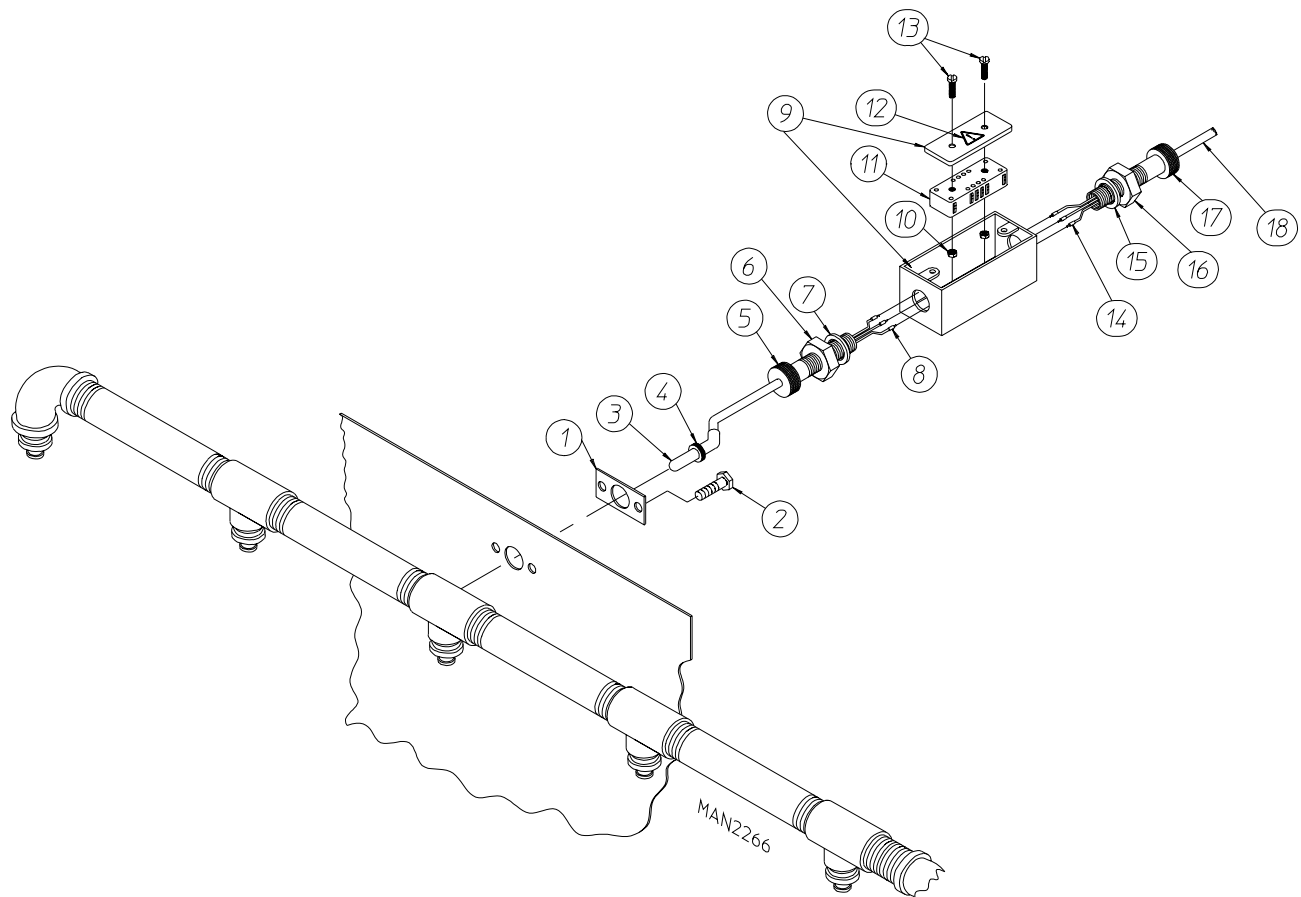


<u>Illus. No.</u>	<u>Part No.</u>	<u>Qty.</u>	<u>Description</u>
1	143135	1	48" Flex Hose
2	331794	1	Inlet Pipe Bracket
3	153007	2	1/4" Lock Washer
4	152002	2	1/4-20 Hex Nut
5	150522	2	1/4-20 x 1/2" Hex Head Washer Machine Screw
6	154350	1	1" Pipe U-Bolt
7	152002	2	1/4-20 Hex Nut
8	153007	2	1/4" Lock Washer
9	150522	2	1/4-20 x 1/2" Hex Head Washer Machine Screw
10	331794	1	Inlet Pipe Bracket
11	143556	1	1" Ball Valve
12	142808	1	1" x 3" Nipple
13	142548	1	1" 90° Elbow
14	142808	1	1" x 3" Nipple
15	100557	1	1" Air Operated Water Valve
16	142808	1	1" x 3" Nipple
17	143137	1	Hose Clamp
18	143136	1	1" Hose Nipple
19	142548	1	1" 90° Elbow
20	154350	1	1" Pipe U-Bolt
21	882157	12	1 Foot Aluminum Tubing
22	154353	1	1-1/4" Pipe U-Bolt
23	143210	1	1/4" Compression x 1/4" M.P.T. Elbow
24	143137	1	Hose Clamp
25	143136	1	1" Hose Nipple
26	334255	1	Pipe Bracket
27	150522	2	1/4-20 x 1/2" Hex Head Washer Machine Screw
28	152002	2	1/4-20 Hex Nut
29	153007	2	1/4" Lock Washer
30	142602	1	1" Union
31	142581	1	1" x 5" Nipple
32	142590	2	1" x 45° Elbow
33	142602	1	1" Union
34	142579	1	1" x 6" Nipple
35	142581	1	1" x 5" Nipple
36	142746	1	1" x 24" Nipple
37	154350	1	1" Pipe U-Bolt
38	334255	1	Pipe Bracket
39	152002	2	1/4-20 Hex Nut

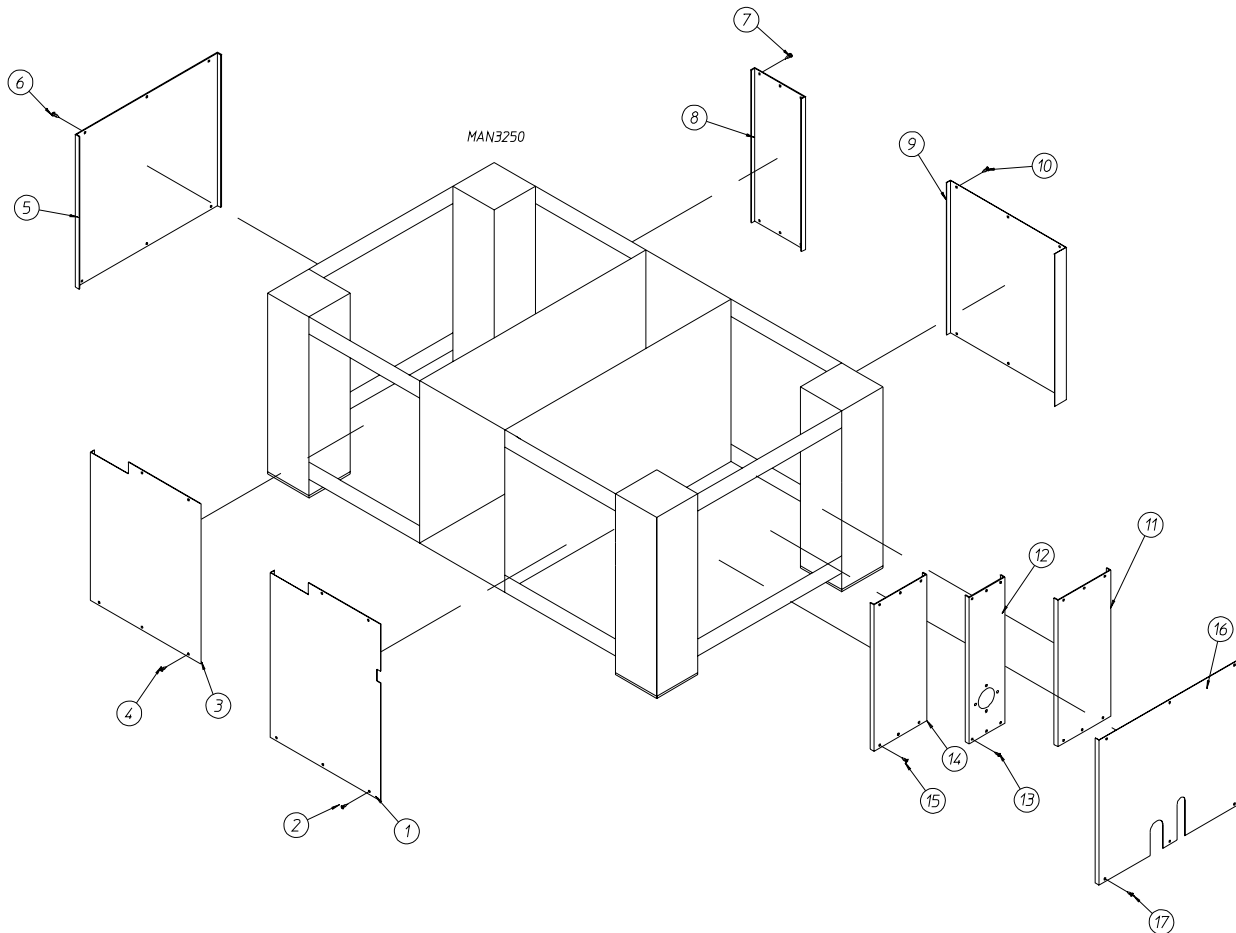
continued on page 72

continued from page 71

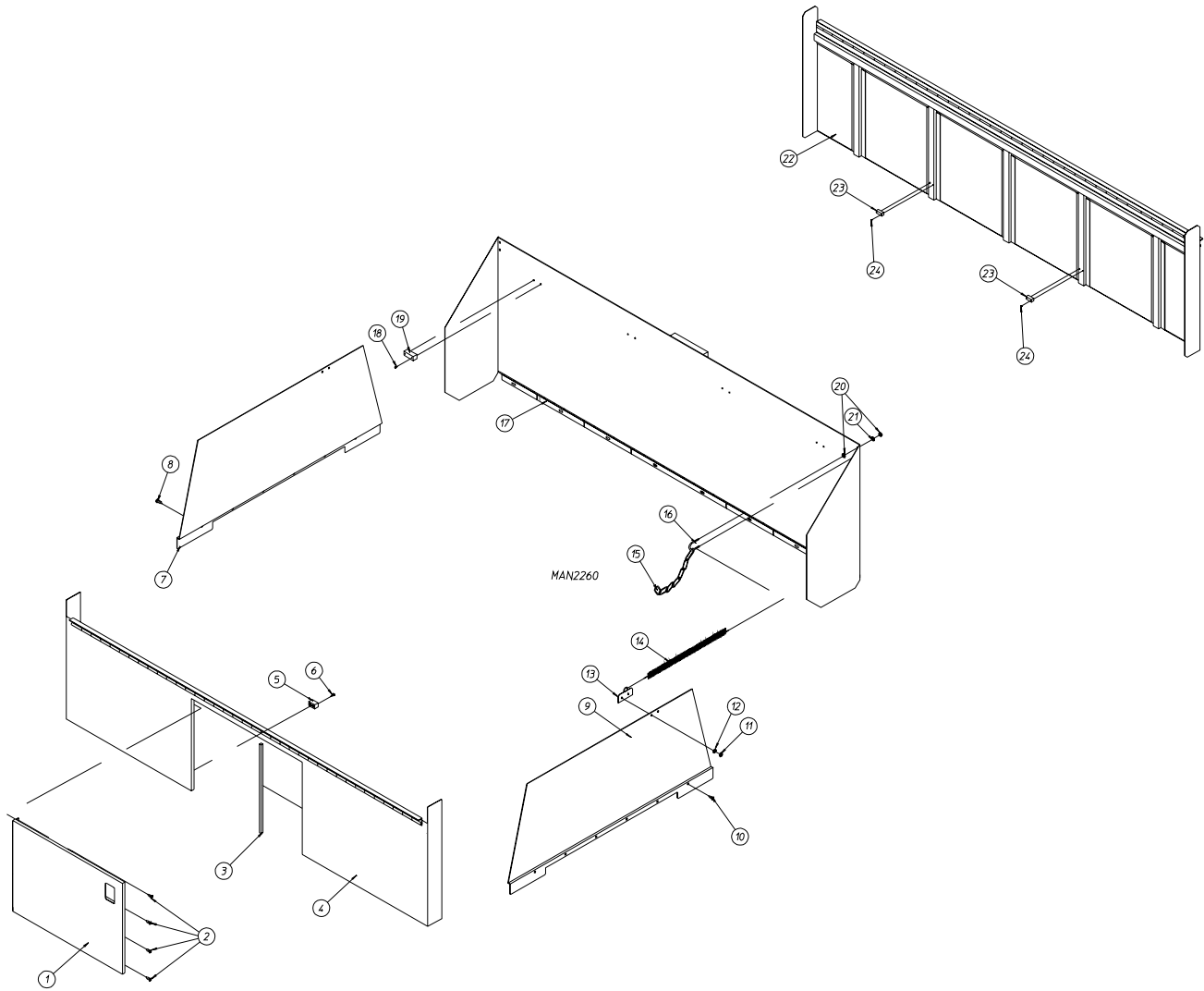
<u>Illus. No.</u>	<u>Part No.</u>	<u>Qty.</u>	<u>Description</u>
40	153007	2	1/4" Lock Washer
41	150522	2	1/4-20 x 1/2" Hex Head Washer Machine Screw
42	142602	1	1" Union
43	142746	1	1" x 24" Nipple
44	142590	2	1" 45° Elbow
45	142808	1	1" x 3" Nipple
46	142598	1	1" x 17" Nipple
47	142548	1	1" 90° Elbow
48	142808	1	1" x 3" Nipple
49	142508	6	1" Tee
50	142926	7	1" x 1/4" Reducing Bushing
51	140927	7	1/4" Sprinkler Nozzle
52	154350	1	1" Pipe U-Bolt
53	142581	1	1" x 5" Nipple
54	150309	4	#10-16 x 1/2" Hex Head TEK Crimptite Screw
55	332941	1	Sprinkler Pipe Bracket
56	153007	2	1/4" Lock Washer
57	152002	2	1/4-20 Hex Nut
58	142581	1	1" x 5" Nipple
59	150523	2	1/4-20 x 3/4" Hex Washer TEK Screw
60	331877	1	Temperature Probe Mounting Plate
61	142581	1	1" x 5" Nipple
62	142579	1	1" x 5" Nipple
63	142581	1	1" x 5" Nipple
64	154350	1	1" Pipe U-Bolt
65	142581	1	1" x 5" Nipple
66	150309	4	#10-16 x 1/2" Hex Head TEK Crimptite Screw
67	332941	1	Sprinkler Pipe Bracket
68	153007	2	1/4" Lock Washer
69	152002	2	1/4-20 Hex Nut
70	142548	1	1" x 90° Elbow
71	142584	1	1" x 4-1/2" Nipple
72	142602	1	1" Union
73	142621	1	1" x 32" Nipple with Holes
74	142591	1	1" Pipe Cap



Illus. No.	Part No.	Qty.	Description
1	331877	1	Temperature Sensor Mounting Plate
2	150523	2	1/4-20 x 3/4" Hex Washer Machine Screw
3	881227	1	Resistive Temperature Device (RTD) Sprinkler Temperature Probe Assembly (includes illus. nos. 3, 4, and 8)
4	143296	1	1/4" Compression Fitting
5	120652	1	1/2" N.P.T. Cord Grip (red)
6	120915	1	1/2" N.P.T. Locknut
7	120914	1	1/2" Metal "O" Ring
8	122736	3	Yellow Ferrule
9	881228	1	Sprinkler Temperature Probe Box Assembly (includes illus. nos. 9 and 12)
10	152000	2	#6-32 Hex Nut
11	120703	1	6-Position Terminal Block
12	122427	1	"!" Caution Label
13	150008	2	#6-32 x 1-1/4" Phillips Round Head Machine Screw
14	122736	3	Yellow Ferrule
15	120914	1	1/2" Metal "O" Ring
16	120915	1	1/2" N.P.T. Locknut
17	120650	1	1/2" N.P.T. Cord Grip (white)
18	881229	1	Sprinkler Temperature Probe Harness



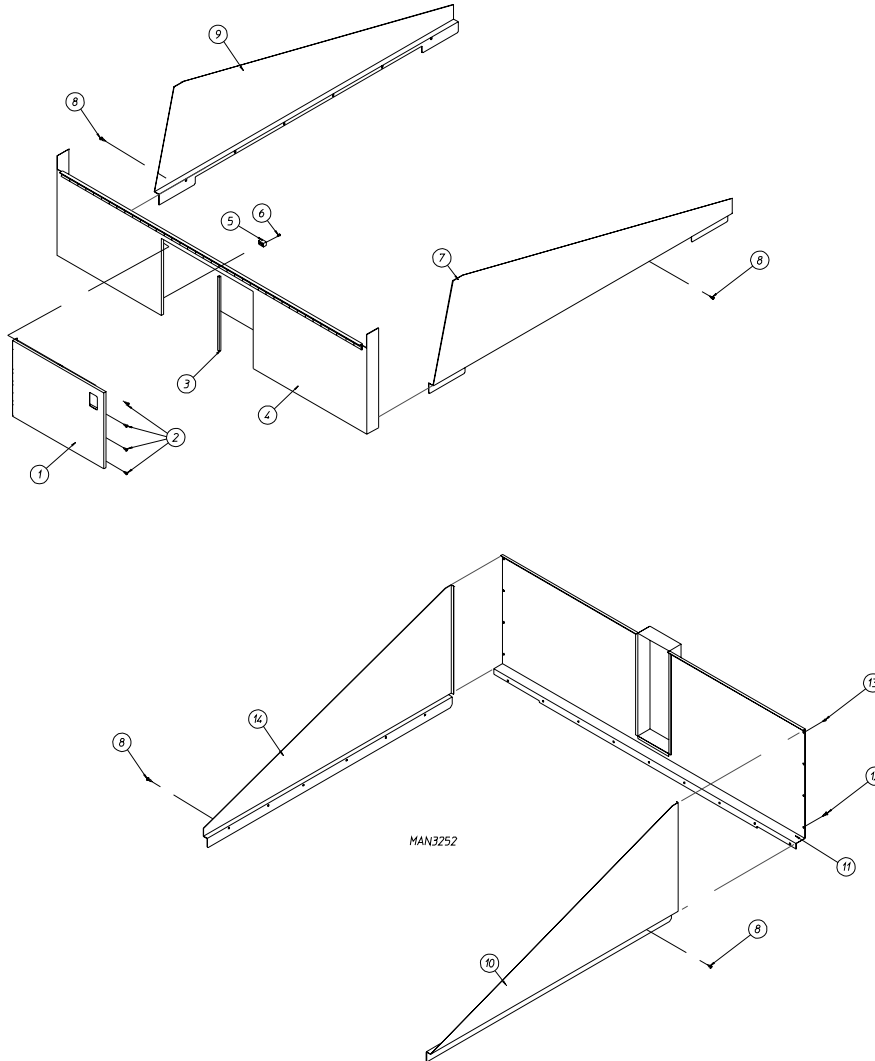
<u>Illus. No.</u>	<u>Part No.</u>	<u>Qty.</u>	<u>Description</u>
1	334169	1	Front Base Panel
2	150522	6	1/4-20 x 1/2" Hex Washer Head Machine Screw
3	334169	1	Front Base Panel
4	150522	6	1/4-20 x 1/2" Hex Washer Head Machine Screw
5	881530	1	Left Side Base Panel (for gas models Only)
	881531	1	Left Base Panel (for gas models with sprinkler option Only)
	881532	1	Left Base Panel (for gas models with side exhaust Only)
	881533	1	Left Base Panel (for steam models Only)
	881534	1	Left Base Panel (for steam models with side exhaust Only)
6	150522	10	1/4-20 x 1/2" Hex Washer Head Machine Screw
7	150522	6	1/4-20 x 1/2" Hex Washer Head Machine Screw
8	334158	1	Rear Right Base Panel
	334234	1	Rear Right Base Panel (for ALL models with side exhaust Only)
9	334168	1	Rear Left Base Panel
	334234	1	Rear Left Base Panel (for ALL models with side exhaust Only)
10	150522	6	1/4-20 x 1/2" Hex Washer Head Machine Screw
11	334296	1	Right Side Rear Base Panel (for gas models Only)
12	334066	1	Gas Inlet Base Panel (for gas models Only)
13	150522	6	1/4-20 x 1/2" Hex Washer Head Machine Screw
14	334297	1	Right Side Front Base Panel (for gas models Only)
15	150522	12	1/4-20 x 1/2" Hex Washer Head Machine Screw
16	334210	1	Right Side Base Panel (for steam models Only)
17	150522	12	1/4-20 x 1/2" Hex Washer Head Machine Screw



2-Way Tilt

<u>Illus. No.</u>	<u>Part No.</u>	<u>Qty.</u>	<u>Description</u>
1*	881200	1	Front Guard Door ONLY
2	150300	4	#10 x 1/2" Hex Washer TEK Screw
3	170606	1	Door Magnet
4*	881199	1	Front Guard Panel ONLY (includes illus. nos. 3 through 6)
	881201	1	Front Guard Assembly Complete (includes illus. nos. 1 through 6)
5	170348	4	Front Guard Nylon Glide
6	150412	8	#10-16 x 3/4" Phillips Round Head Crimptite Screw
7*	334316	1	Side Shield Assembly
8	150522	6	1/4-20 x 1/2" Hex Washer Head Machine Screw
9*	334316	1	Side Shield Assembly
10	150522	6	1/4-20 x 1/2" Hex Washer Head Machine Screw
11	152002	4	1/4-20 Hex Nut
12	153007	4	1/4" Lock Washer
13	881188	2	Spring Catch Assembly
14	157014	2	Spring
15	108121	2	Rear Panel Chain
16	154354	2	3/4" Pipe U-Bolt
17*	881198	1	Rear Guard Assembly Complete (includes illus. nos. 15 through 21) For 1 Door Models ONLY
	881197	1	Rear Guard ONLY
18	150309	8	#10-16 x 1/2" Hex Head TEK Crimptite Screw
19	170345	4	Nylon Glide
20	152002	8	1/4-20 Hex Nut
21	153007	4	1/4" Lock Washer
22*	881535	1	Rear Guard Assembly Complete (includes illus. nos. 22 through 24) For 2 Door Models ONLY
23	170348	2	Nylon Glide
24	150412	4	#10-16 x 3/4" Phillips Round Head Crimptite Screw

* Specify color when ordering.



<u>Illus. No.</u>	<u>Part No.</u>	<u>Qty.</u>	<u>Description</u>
1*	881200	1	Front Guard Door ONLY
2*	150300	4	#10 x 1/2" Hex Washer TEK Screw
3*	170606	1	Door Magnet
4*	881199	1	Front Guard Panel ONLY (includes illus. nos. 3 through 6)
5*	170348	4	Front Guard Nylon Glide
6*	150412	8	#10-16 x 3/4" Phillips Round Head Crimptite Screw
7*	334239	1	Right Side Shield
8	150522	10	1/4-20 x 1/2" Hex Washer Head Machine Screw
9**	334238	1	Left Side Shield
10**	334301	1	Right Side Shield
11**	881536	1	Rear Guard Assembly
12**	150522	9	1/4-20 x 1/2" Hex Washer Head Machine Screw
13**	150309	6	#10-16 x 1/2" Hex Head TEK Crimptite Screw
14**	334300	1	1 Door/Forward Tilt Left Side Shield

* For rear tilt models ONLY.
 ** For forward tilt models ONLY.

Selector Switch, Nameplate, and Mounting Base Chart

	Models with 2-Way Tilt Manual/Automatic Doors	Models with Forward Tilt and Manual Doors	Models with Forward Tilt and Automatic Doors	Models with Rear Tilt Manual/Automatic Doors
Illus. No. 13 Selector Switch	ADC Part No. 122348 3-Position Cam Selector Switch	ADC Part No. 122360 2-Position Switch	ADC Part No. 122348 3-Position Cam Selector Switch	ADC Part No. 122348 3-Position Cam Selector Switch
Illus. No. 14 Nameplate	ADC Part No. 122412 "Load-Dry-Unload"	ADC Part No. 122422 Unload "0-1"	ADC Part No. 122412 "Load-Dry-Unload"	ADC Part No. 122435 Load "Level-Off-Tilted"
Illus. No. 37 and Illus. No. 38 Mounting Base	Included with Selector Switch	ADC Part No. 132397 NO-NC Contact Block with Base	Included with Selector Switch	Included with Selector Switch

CONTROL PANEL FOR REAR RIGHT CONTROL DOOR

CHART FOR ITEM# 2	
MACHINE TYPE	SUB NEEDED
2 MANUAL DOOR, NON TILT	821809
2 MANUAL DOOR, FORWARD TILT	821586
2 MANUAL DOOR, REAR TILT	821586
2 MANUAL DOOR, 2 WAY TILT	821586
2 AUTO DOOR, NON TILT	821797
2 AUTO DOOR, FORWARD TILT	821807
2 AUTO DOOR, REAR TILT	821807
2 AUTO DOOR, 2 WAY TILT	821807

CONTROL PANEL FOR FRONT RIGHT CONTROL DOOR

CHART FOR ITEM# 2			
MACHINE TYPE	SUB NEEDED	MACHINE TYPE	SUB NEEDED
1 MANUAL DOOR, NON TILT	832869	1 MANUAL DOOR, NON TILT WITH SPRINKLER	832868
1 MANUAL DOOR, FORWARD TILT	832865	1 MANUAL DOOR, FORWARD TILT WITH SPRINKLER	832864
1 MANUAL DOOR, REAR TILT	832865	1 MANUAL DOOR, REAR TILT WITH SPRINKLER	832864
1 MANUAL DOOR, 2 WAY TILT	832865	1 MANUAL DOOR, 2 WAY TILT WITH SPRINKLER	832864
2 MANUAL DOOR, NON TILT	832867	2 MANUAL DOOR, NON TILT WITH SPRINKLER	832866
2 MANUAL DOOR, FORWARD TILT	832865	2 MANUAL DOOR, FORWARD TILT WITH SPRINKLER	832864
2 MANUAL DOOR, REAR TILT	832865	2 MANUAL DOOR, REAR TILT WITH SPRINKLER	832864
2 MANUAL DOOR, 2 WAY TILT	832865	2 MANUAL DOOR, 2 WAY TILT WITH SPRINKLER	832864
1 AUTO DOOR, NON TILT	832863	1 AUTO DOOR, NON TILT WITH SPRINKLER	832862
1 AUTO DOOR, FORWARD TILT	832861	1 AUTO DOOR, FORWARD TILT WITH SPRINKLER	832860
1 AUTO DOOR, REAR TILT	832861	1 AUTO DOOR, REAR TILT WITH SPRINKLER	832860
1 AUTO DOOR, 2 WAY TILT	832861	1 AUTO DOOR, 2 WAY TILT WITH SPRINKLER	832860
2 AUTO DOOR, NON TILT	832863	2 AUTO DOOR, NON TILT WITH SPRINKLER	832862
2 AUTO DOOR, FORWARD TILT	832861	2 AUTO DOOR, FORWARD TILT WITH SPRINKLER	832860
2 AUTO DOOR, REAR TILT	832861	2 AUTO DOOR, REAR TILT WITH SPRINKLER	832860
2 AUTO DOOR, 2 WAY TILT	832861	2 AUTO DOOR, 2 WAY TILT WITH SPRINKLER	832860

CHART FOR RIGHT HAND ELECTRICAL CONTROL PANEL

GAS MACHINE		TRANSFORMER (25)		CB7 (16)		CB6 (17)	
PSF #	VOLTAGE	QTY	P/N	QTY	P/N	QTY	P/N
TBD	190	-	TBD -	-	TBD	1	135511
832693	208	1	132087 300VA	1	135513	1	135511
TBD	220	-	TBD -	-	TBD	1	135511
832878	230	-	132087 300VA	1	135513	1	135511
832694	240	1	132087 300VA	1	135513	1	135511
832695	380	1	132073 150VA	1	135512	1	135510
832908	400	1	132088 300VA	1	135513	1	135510
832696	416	1	132074 150VA	1	135512	1	135510
832879	460	-	132075 150VA	1	135512	1	135510
832697	480	1	132075 150VA	1	135512	1	135510
832880	575	-	132089 300VA	1	135513	1	135510
832698	600	1	132076 150VA	1	135512	1	135510
STEAM MACHINE		TRANSFORMER (25)		CB7 (16)		CB6 (17)	
PSF #	VOLTAGE	QTY	P/N	QTY	P/N	QTY	P/N
TBD	190	-	TBD -	-	TBD	1	135511
832699	208	1	132087 300VA	1	135513	1	135511
TBD	220	-	TBD -	-	TBD	1	135511
832881	230	-	132087 300VA	1	135513	1	135511
832700	240	1	132087 300VA	1	135513	1	135511
832701	380	1	132088 300VA	1	135513	1	135510
832702	400	1	132088 300VA	1	135513	1	135510
832703	416	1	132088 300VA	1	135513	1	135510
832704	460	1	132089 300VA	1	135513	1	135510
832705	480	1	132089 300VA	1	135513	1	135510
832706	575	1	132089 300VA	1	135513	1	135510
832707	600	1	132089 300VA	1	135513	1	135510

DMG 9/19/00

MAN5458

CHART FOR RIGHT HAND BASE ELECTRICAL PANEL

CHART 1								
GAS MACHINE								
PSF REF #	VOLTAGE	AUX CONTACTOR (4)	BREAKER (CB 1) (5)	CB1 CURRENT SETTING (AMPS)	CONTACTOR (15)	VARISTOR (14)	BREAKER (CB 4) (3)	CB4 CURRENT SETTING (AMPS)
832662	190	132384	131955	40	132481	132485	131957	40
832663	208	132384	131955	43	132480	132485	131957	40
832664	220	132384	131955	44	132480	132485	131957	40
832665	230	132384	131957	38	132481	132485	131957	40
832902	240	132384	131957	38	132481	132485	131957	40
832666	380	132389	131964	50HZ 20-60HZ 22	132465	132437	131957	40
832667	416	132389	131964	21	132465	132437	131957	40
832668	460	132389	131964	19	132465	132437	131957	40
832903	480	132389	131964	19	132465	132437	131957	40
STEAM MACHINE								
PSF REF #	VOLTAGE	AUX CONTACTOR (4)	BREAKER (CB 1) (5)	CB1 CURRENT SETTING (AMPS)	CONTACTOR (15)	VARISTOR (14)	BREAKER (CB 4) (3)	CB4 CURRENT SETTING (AMPS)
832669	208	132384	131956	76	132479	132485	131957	40
832670	230	132384	131956	68	132479	132485	131957	40
832904	240	132384	131956	68	132479	132485	131957	40
832671	380/50Hz	132384	131955	41	132480	132485	131957	40
832912	380/60Hz	132389	131957	25	132465	132437	131957	40
832672	400	132384	131955	40	132481	132485	131957	40
832673	416	132384	131955	40	132481	132485	131957	40
832674	460	132384	131957	34	132481	132485	131957	40
832905	480	132384	131957	34	132481	132485	131957	40

RAR 11/15/00

MAN5519

CHART FOR LEFT HAND ELECTRICAL PANEL

CHART 1									
GAS MACHINE									
PSF REF #	VOLTAGE	QTY	AUX CONTACT (4)	TUMBLER BREAKER CB2 (5)	CB2 CURRENT SETTING (AMPS)	CONTACTOR (6)	BREAKER CB5 (16)	BREAKER CB5 (19)	BREAKER CB5 (20)
832678	190	1	132389	131963	18	132424
832679	208	1	132389	131963	17	132424	135506
832681	230	1	132389	131963	15	132424	135506
832884	240	1	132389	131963	15	132424	135506
832682	380	1	132389	131962	9	132424	135514
832909	400	1	132389	131966	9	132424	135506
832683	416	1	132389	131962	8	132424	135514
832684	460	1	132389	131962	7	132424	135514
832882	480	1	132389	131962	8	132424	135514
STEAM MACHINE									
PSF REF #	VOLTAGE	QTY	AUX CONTACT (5)	TUMBLER BREAKER CB2 (6)	CB2 CURRENT SETTING (AMPS)	CONTACTOR (8)	BREAKER CB5 (14)	BREAKER CB5 (19)	BREAKER CB5 (20)
832685	190	1	132389	131963	18	132424
832686	208	1	132389	131963	17	132424	135506
832687	230	1	132389	131963	15	132424	135506
832885	240	1	132389	131963	15	132424	135506
832688	380	1	132389	131962	9	132424	135506
832910	400	1	132389	131962	9	132424	135506
832689	416	1	132389	131962	8	132424	135506
832690	460	1	132389	131962	7	132424	135506
832883	480	1	132389	131962	8	132424	135506

