



AD-410 Phase 7 Parts Manual

American Dryer Corporation
88 Currant Road
Fall River MA 02720-4781
Telephone: (508) 678-9000 / Fax: (508) 678-9447
E-mail: techsupport_large_dryer@amdry.com
www.amdry.com

Retain This Manual In A Safe Place For Future Reference

American Dryer Corporation products embody advanced concepts in engineering, design, and safety. If this product is properly maintained, it will provide many years of safe, efficient, and trouble-free operation.

ONLY qualified technicians should service this equipment.

OBSERVE ALL SAFETY PRECAUTIONS displayed on the equipment or specified in the installation manual included with the dryer.

The following “**FOR YOUR SAFETY**” caution **must be** posted near the dryer in a prominent location.

FOR YOUR SAFETY

Do not store or use gasoline or other flammable vapors or liquids in the vicinity of this or any other appliance.

POUR VOTRE SÉCURITÉ

Ne pas entreposer ni utiliser d'essence ni d'autres vapeurs ou liquides inflammables dans le voisinage de cet appareil ou de autre appareil.

We have tried to make this manual as complete as possible and hope you will find it useful. **ADC** reserves the right to make changes from time to time, without notice or obligation, in prices, specifications, colors, and material, and to change or discontinue models.

Important

For your convenience, log the following information:

DATE OF PURCHASE _____ **MODEL NO.** AD-410

RESELLER'S NAME _____

Serial Number(s) _____

Replacement parts can be obtained from your reseller or the **ADC** factory. When ordering replacement parts from the factory, you can FAX your order to **ADC** at (508) 678-9447 or telephone your order directly to the **ADC** Parts Department at (508) 678-9000. Please specify the dryer **model number** and **serial number** in addition to the **description** and **part number**, so that your order is processed accurately and promptly.

The illustrations on the following pages may not depict your particular dryer exactly. The illustrations are a composite of the various dryer models. Be sure to check the descriptions of the parts thoroughly before ordering.

“IMPORTANT NOTE TO PURCHASER”

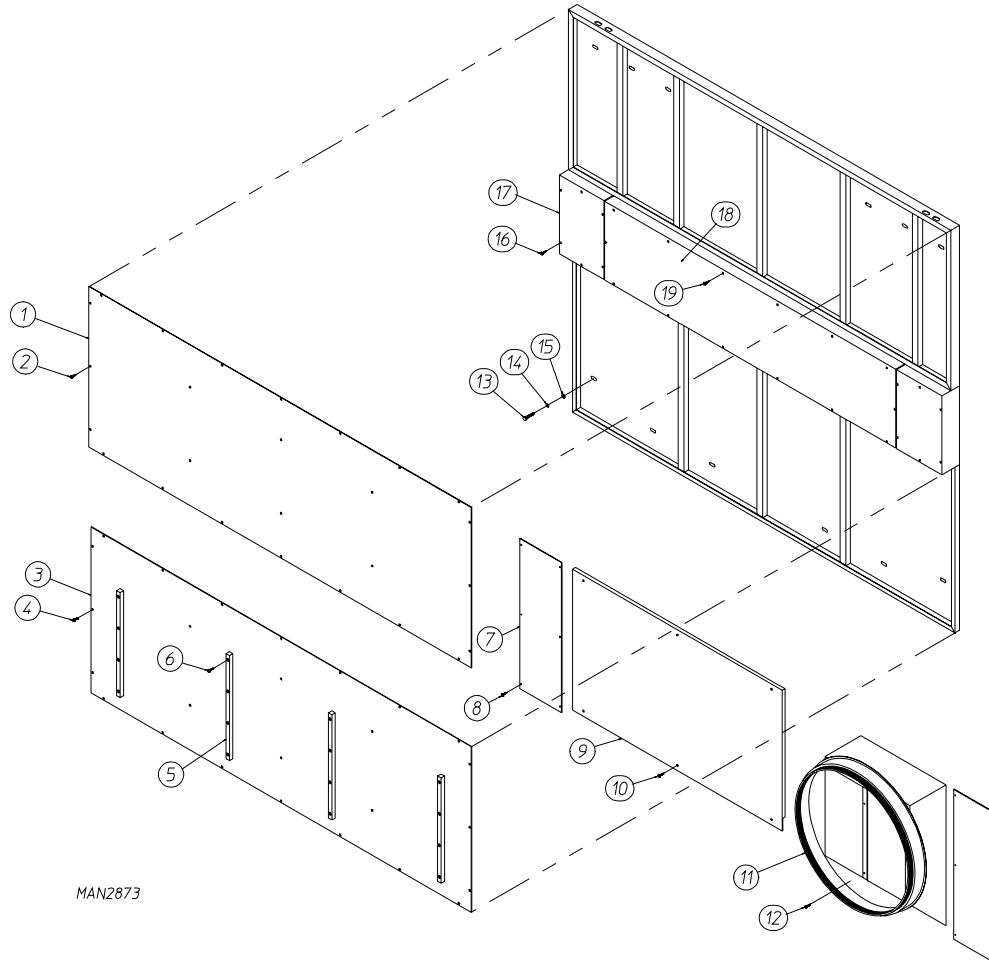
Information **must be** obtained from your local gas supplier on the instructions to be followed if the user smells gas. These instructions **must be** posted in a prominent location near the dryer.

Table of Contents

Solid Back Panel Assembly	
1 Door Models	3
Front/Rear Panel Assembly Automatic/Manual Door	4, 5
Left Manual Load Door Assembly	6, 7
Right Manual Load Door Assembly	8, 9
Left Automatic Load Door Assembly	10, 11
Right Automatic Load Door Assembly	12, 13
End of Cycle Light Assembly	14
Automatic Door Pneumatics Assembly	15
Magnetic Door Switch Assembly	16
Left Control Door Assembly	
For 1 Door or 2 Door Models	17
Front Control Door Assembly	18, 19
Right Rear Control Door Assembly	
2 Door Models Only	20, 21
Left Hand Electrical Control Panel Assembly	
For Models Mfd. with Thermal-Magnetic Protection Only	22, 23
Right Hand Electrical Control Panel	24, 25
Base Main Electrical Junction Box Assembly	
For Models Mfd. with Thermal-Magnetic Protection Only	26, 27
Basket (Tumbler) and Idler Shaft Assembly	28
Basket (Tumbler) Retaining Wheel Mount Assembly	29
Lint Basket Assembly	30
Temperature Sensor Bracket Assembly	31
Basket (Tumbler) Drive Shaft Assembly	32, 33
Tilt Switch Assembly	34
Tilt Piston Mount Assembly	35
Post Assembly	36
Drive Motor Assembly	37
Front Burner Box Assembly	38

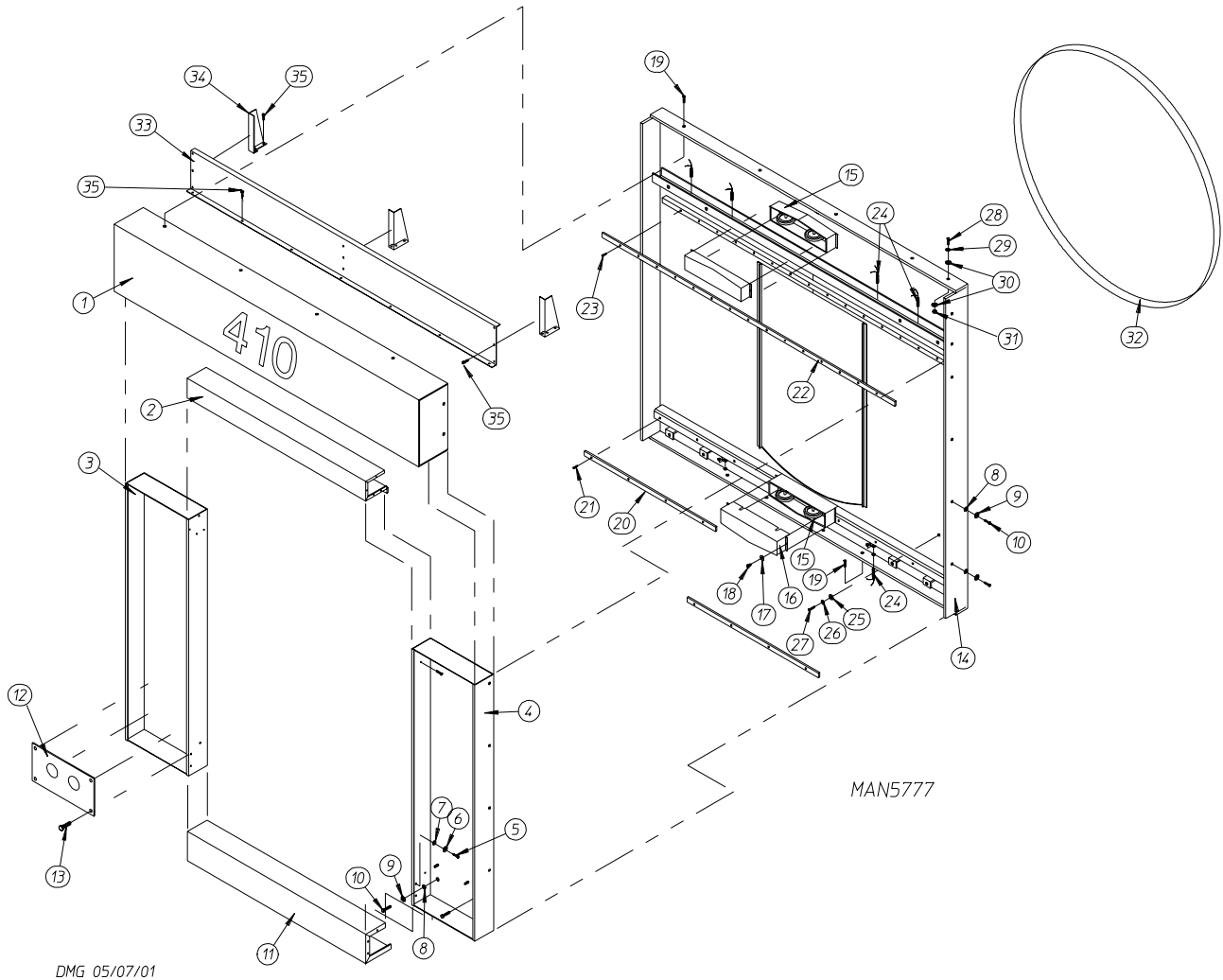
Rear Burner Box Assembly	39
Sail Switch Assembly	40, 41
Fan Motor Assembly	42, 43
Air Jet Assembly	44
Direct Spark Ignition (DSI) Module Assembly	45
Gas Piping Assembly	46, 47
Steam Coil Assembly	48, 49
Tilting Steam Piping Assembly	50, 51
Pneumatic Valve Assembly	
1 Auto Door/2-Way Tilt w/Optional Sprinkler	52, 53
Pneumatic Valve Assembly	
2 Auto Doors/1-Way Tilt w/Optional Sprinkler	54, 55
Sprinkler Option Control Panel Assembly	56, 57
Optional Sprinkler Assembly	58, 59
Side Panel Assemblies	60, 61
Guard Assemblies	
2-Way Tilt	62, 63
Optional Sprinkler Temperature Probe Junction Box Assembly	64
Front Base and Front Top Panel Assemblies	65
Selector Switch, Nameplate, and Mounting Base Chart	66
Right Rear/Front Control Panel Charts	67
Right Hand Electrical Control Panel Chart	68
Right Hand and Left Hand Base Electrical Panel Charts	69

1 Door Models



Illus. No.	Part No.	Qty.	Description
1*	334615	1	Solid Back Panel Top Cover
2	150522	26	1/4-20 x 1/2" Hex Head TEK Screw
3*	334616	1	Solid Back Panel Bottom Cover
4	150522	26	1/4-20 x 1/2" Hex Head TEK Screw
5	170344	4	Nylon Back Guide
6	150311	12	#10 x 3/4" Hex Head Crimptite Screw
7*	334542	2	Piston Cover
8	150309	12	#10-16 x 1/2" Hex Head TEK Crimptite Screw
9*	334541	1	Rear Left Base Panel
10	150522	6	1/4-20 x 1/2" Hex Head TEK Screw
11*	814069	1	Transition Piece (1 door dryer Only)
12	150522	6	1/4-20 x 1/2" Hex Head TEK Screw
13	150617	12	3/8-16 x 1" Hex Head Machine Bolt
14	153005	12	3/8" Split Lock Washer
15	153004	12	3/8" Flat Washer
16	150522	12	1/4-20 x 1/2" Hex Head TEK Screw
17*	334521	2	Solid Back Panel Wheel Cover
18*	334520	1	Solid Back Panel Center Cover
19	150522	14	1/4-20 x 1/2" Hex Head TEK Screw

* Specify color when ordering.

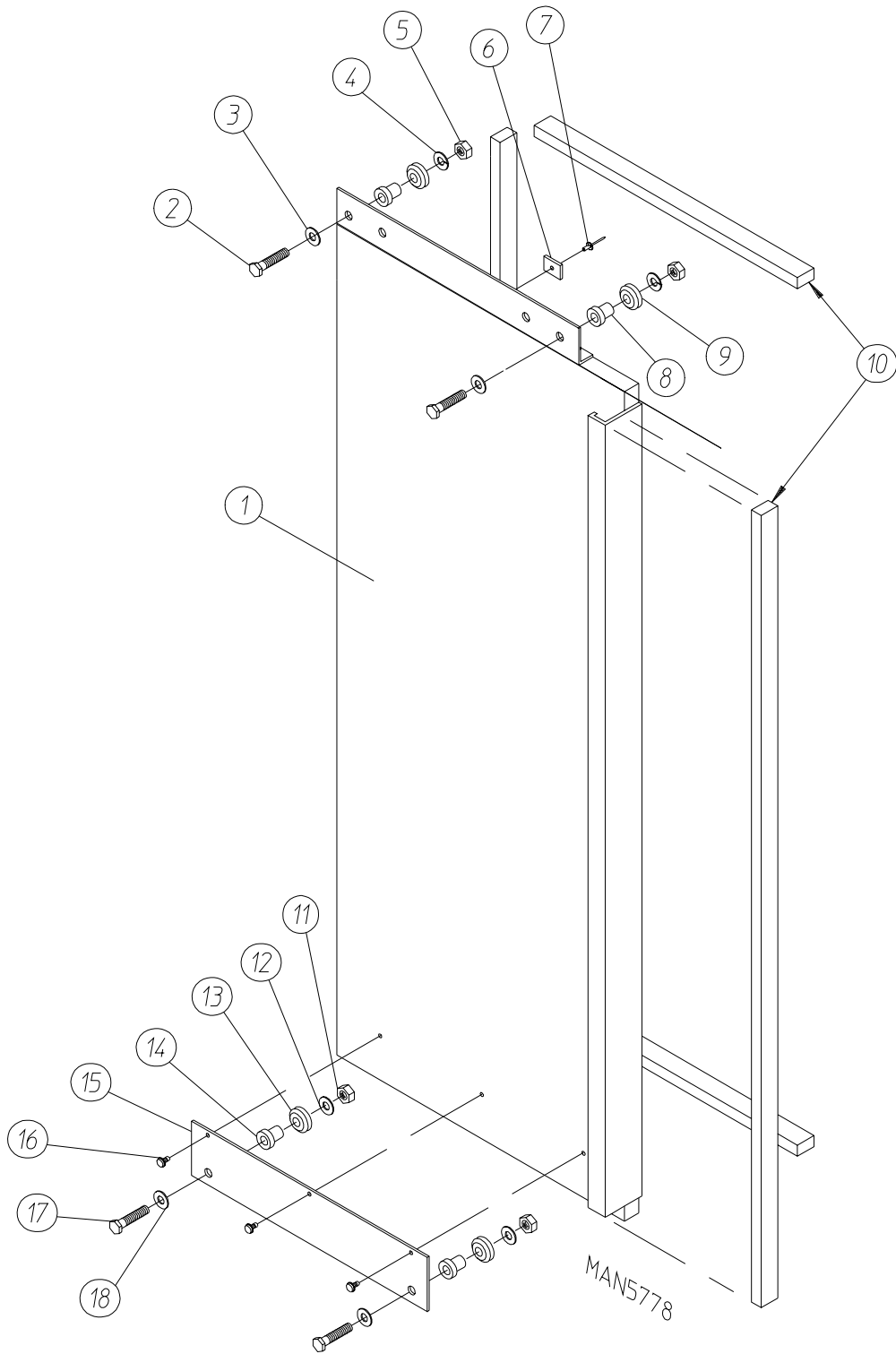


NOTE: Same assembly used as rear panel assembly for 2 door models.

<u>Illus. No.</u>	<u>Part No.</u>	<u>Qty.</u>	<u>Description</u>
1*	814059	1	Upper Guard
2*	814058	1	Middle Guard
3*	881388	1	Left Control Cabinet
4*	881387	1	Right Control Cabinet
5	150510	6	1/4-20 x 3/4" Hex Head Machine Bolt
6	153007	6	1/4" Lock Washer
7	153018	6	1/4" Flat Washer
8	153001	10	5/16" Flat Washer
9	153002	10	5/16" Lock Washer
10	150501	10	5/16-18 x 3/4" Hex Head Machine Bolt
11*	814057	1	Bottom Guard
12	332938	1	Feed Thru Plate
13	150309	4	#10-16 x 1/2" Hex Head TEK Crimptite Screw
14	881386	1	Front Panel Assembly
15	-----	4	Retaining Wheel Assembly (refer to Basket [Tumbler] Retaining Wheel Mount Assembly on page 29)
16	814070	2	Retaining Wheel Cover
17	153018	4	1/4" Flat Washer
18	150309	4	#10-16 x 1/2" Hex Head TEK Crimptite Screw
19	150523	10	1/4-20 x 3/4" Hex Washer Machine Bolt
20	170362	2	Bottom Door Track
21	154312	14	#10-32 x 3/4" Socket Head Cap Screw
22	170363	1	Upper Door Track
23	154312	16	#10-32 x 3/4" Socket Head Cap Screw
24	880783	4	Door Switch Assembly
25	153004	12	3/8" Flat Washer
26	153005	12	3/8" Split Lock Washer
27	150617	12	3/8-16 x 1" Hex Head Machine Bolt
28	150605	4	1/2-13 x 1-1/2" Hex Head Bolt
29	153026	4	1/2" Lock Washer
30	153050	8	1/2 x 1/16 Flat Washer
31	152011	4	1/2-13 Hex Nut
32	116009	1	200" x 1-3/8" Felt Basket (tumbler)
33	334546	1	Top Front Panel
34	332680	3	Left Gusset for Top Front Panel
35	150522	6	1/4-20 x 1/2" TEK Screw

* Specify color when ordering.

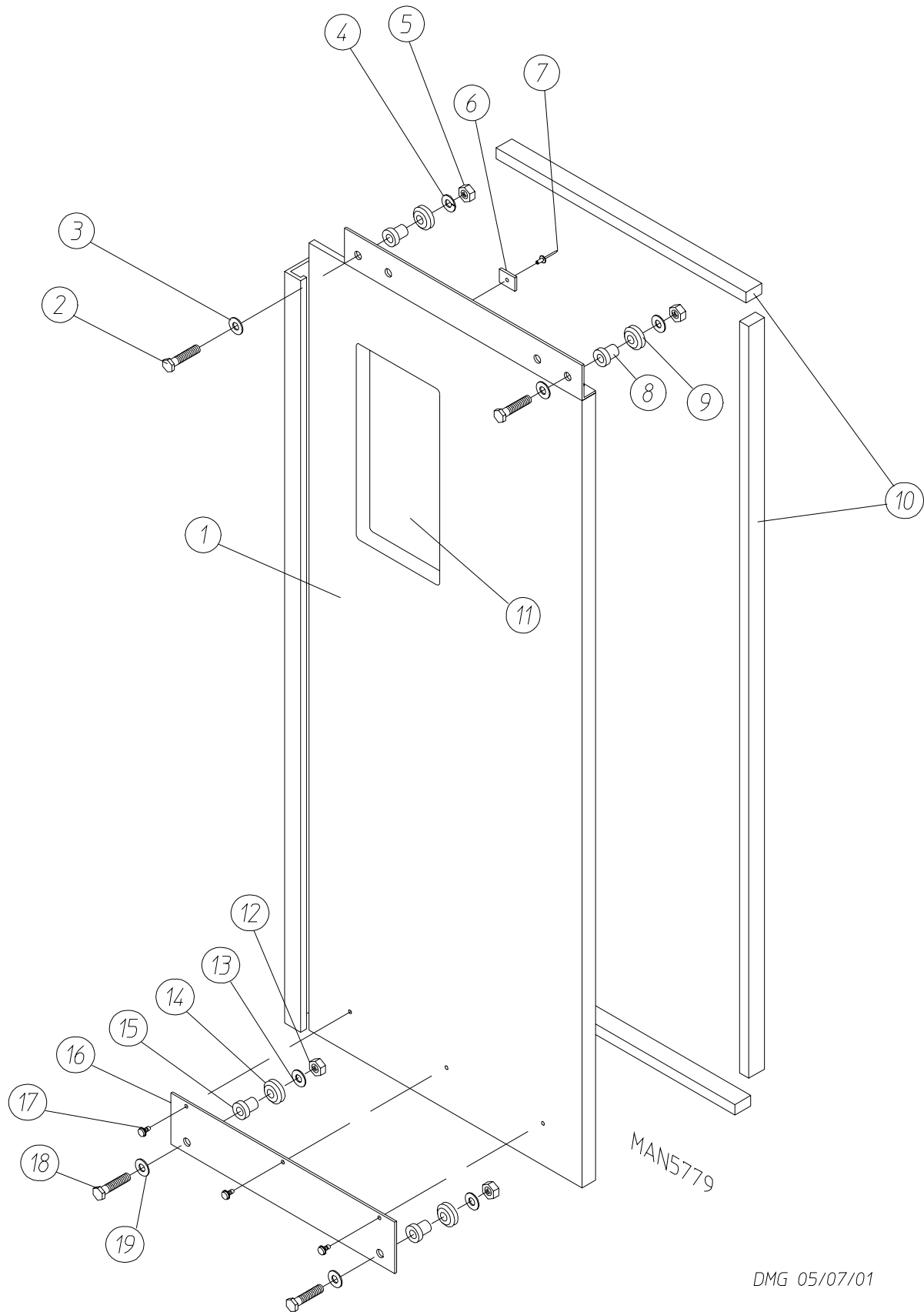
NOTE: Same assembly used as rear panel assembly for 2 door models.



DMG 05/07/01

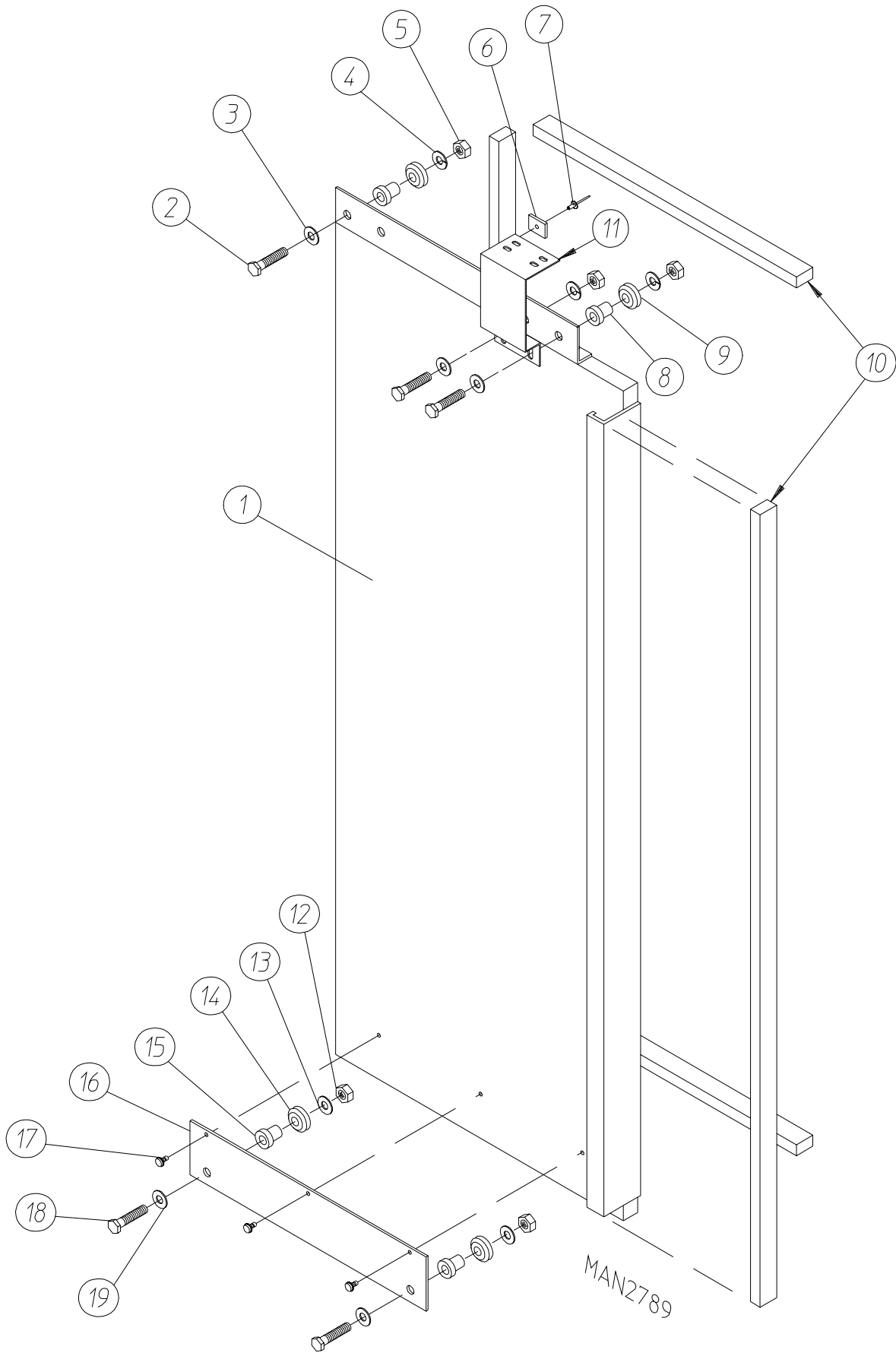
<u>Illus. No.</u>	<u>Part No.</u>	<u>Qty.</u>	<u>Description</u>
1*	881392	1	Left Automatic Load Door Assembly Complete (includes illus. nos. 1 through 11)
	881391	1	Left Automatic Load Door ONLY
2	150112	3	1/4-20 x 1-1/4" Hex Head Machine Screw
3	153018	3	1/4" Flat Washer
4	153007	3	1/4" Lock Washer
5	152002	3	1/4-20 Hex Nut
6	102102	1	Magnet
7	154200	1	5/32" Pop Rivet
8	170367	2	Stainless Steel Stationary Bushing
9	170366	2	Stainless Steel Sealed Wheel
10	115995	80"	Steam Damper Gasket (sold by the inch)
11	152002	2	1/4-20 Hex Nut
12	153007	2	1/4" Lock Washer
13	170366	2	Stainless Steel Sealed Wheel
14	170367	2	Stainless Steel Stationary Bushing
15*	334558	1	Lower Trolley ONLY
16	150301	3	#8-18 x 7/16" Phillips Pan Head TEK Screw
17	150112	2	1/4-20 x 1-1/4" Hex Head Machine Screw
18	153018	2	1/4" Flat Washer

* Specify color when ordering.



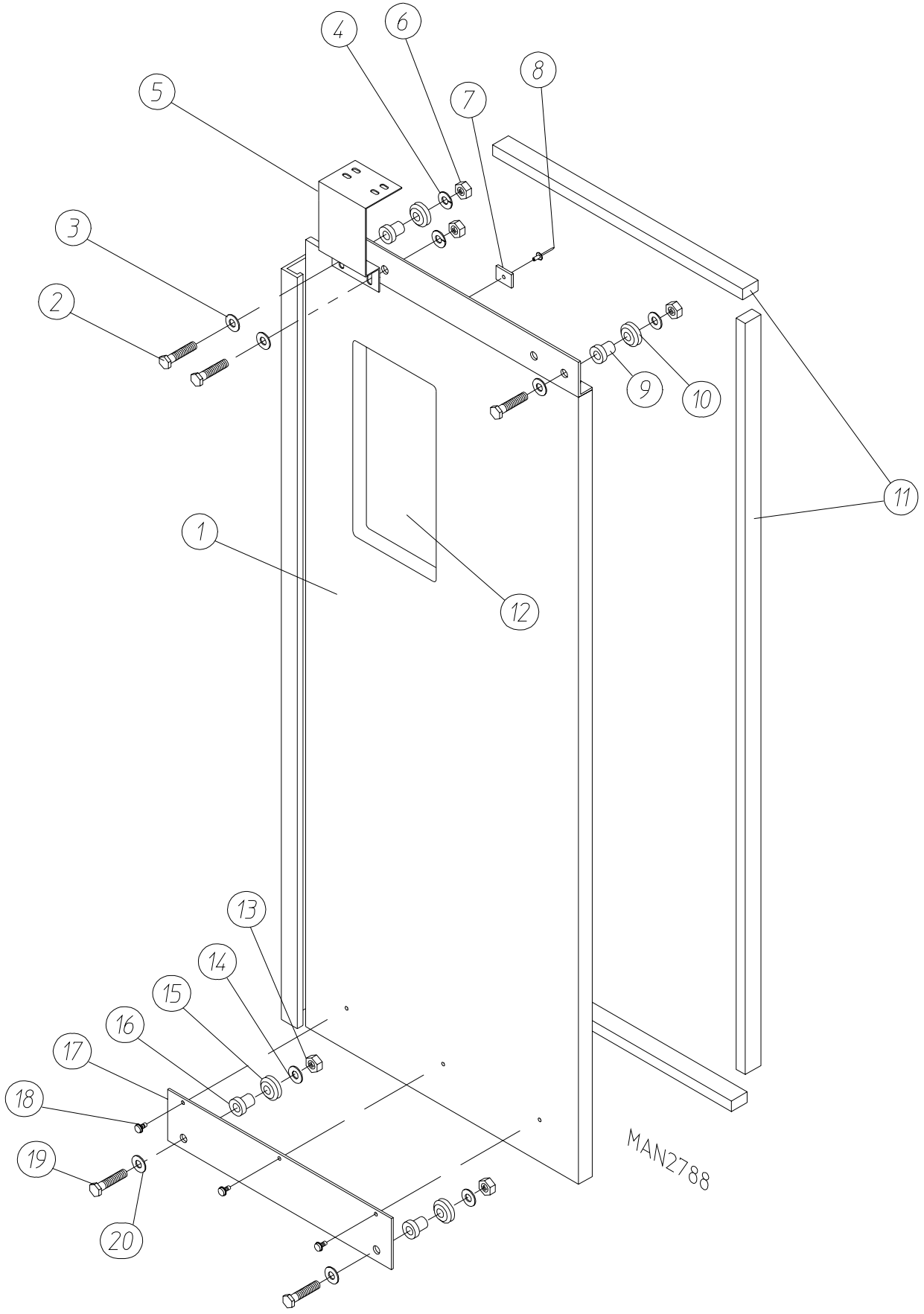
<u>Illus. No.</u>	<u>Part No.</u>	<u>Qty.</u>	<u>Description</u>
1*	881390	1	Right Automatic Load Door Assembly Complete (includes illus. nos. 1 through 12)
	881389	1	Right Automatic Load Door ONLY
2	150112	3	1/4-20 x 1-1/4" Hex Head Machine Screw
3	153018	3	1/4" Flat Washer
4	153007	3	1/4" Lock Washer
5	152002	3	1/4-20 Hex Nut
6	102102	1	Magnet
7	154200	1	5/32" Pop Rivet
8	170367	2	Stainless Steel Stationary Bushing
9	170366	2	Stainless Steel Sealed Wheel
10	115995	80"	Steam Damper Gasket (sold by the inch)
11	102215	1	Glass Window
	170730	1	Glass Adhesive (10.3 oz. cartridge)
12	152002	2	1/4-20 Hex Nut
13	153007	2	1/4" Lock Washer
14	170366	2	Stainless Steel Sealed Wheel
15	170367	2	Stainless Steel Stationary Bushing
16*	334558	1	Lower Trolley ONLY
17	150301	3	#8-18 x 7/16" Phillips Pan Head TEK Screw
18	150112	2	1/4-20 x 1-1/4" Hex Head Machine Screw
19	153018	2	1/4" Flat Washer

* Specify color when ordering.



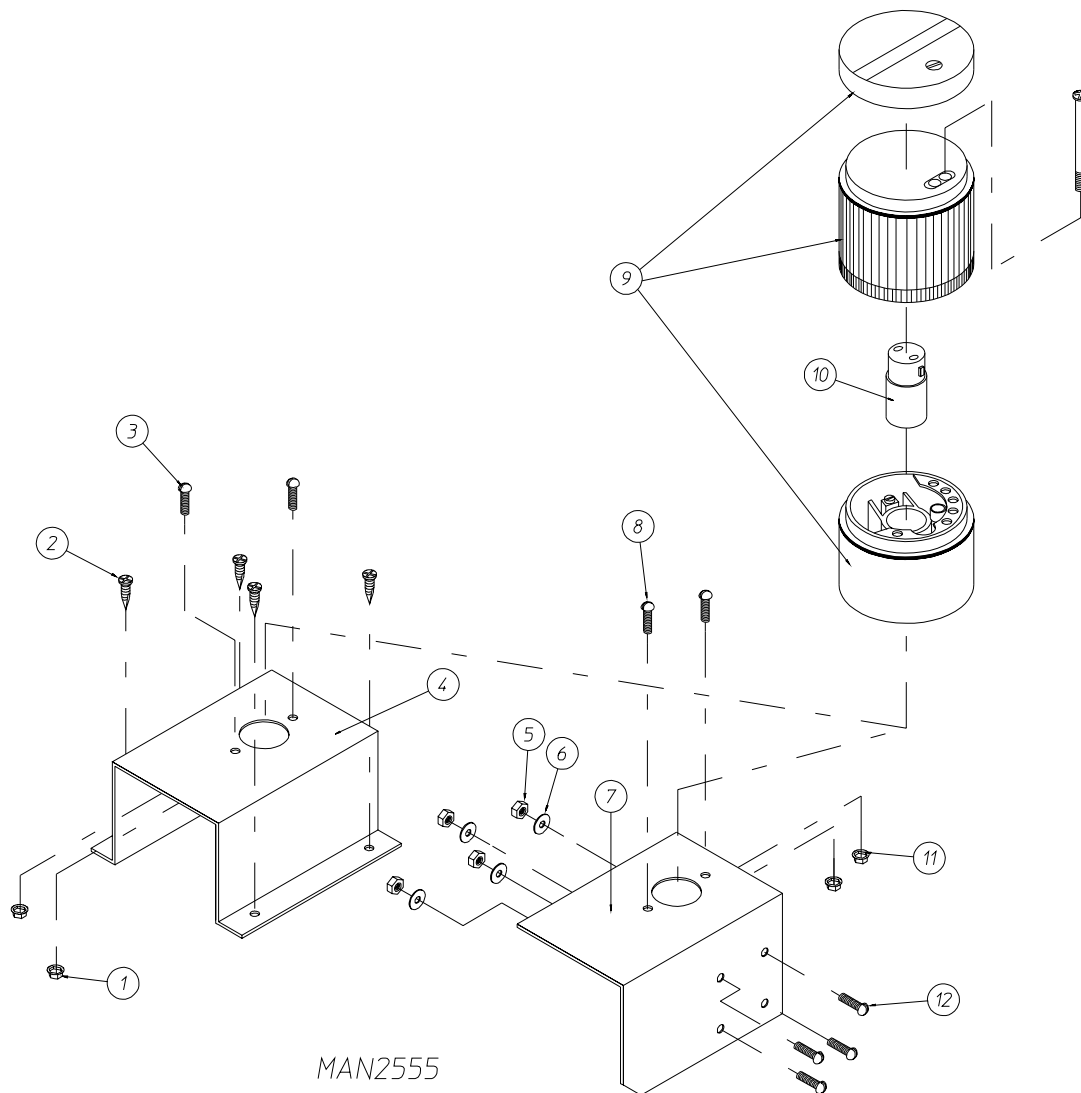
<u>Illus. No.</u>	<u>Part No.</u>	<u>Qty.</u>	<u>Description</u>
1*	881392	1	Left Automatic Load Door Assembly Complete (includes illus. nos. 1 through 11)
	881391	1	Left Automatic Load Door ONLY
2	150112	3	1/4-20 x 1-1/4" Hex Head Machine Screw
3	153018	3	1/4" Flat Washer
4	153007	3	1/4" Lock Washer
5	152002	3	1/4-20 Hex Nut
6	102102	1	Magnet
7	154200	1	5/32" Pop Rivet
8	170367	2	Stainless Steel Stationary Bushing
9	170366	2	Stainless Steel Sealed Wheel
10	115995	80"	Steam Damper Gasket (sold by the inch)
11	334134	1	Automatic Door Bracket
12	152002	2	1/4-20 Hex Nut
13	153007	2	1/4" Lock Washer
14	170366	2	Stainless Steel Sealed Wheel
15	170367	2	Stainless Steel Stationary Bushing
16*	334558	1	Lower Trolley ONLY
17	150301	3	#8-18 x 7/16" Phillips Pan Head TEK Screw
18	150112	2	1/4-20 x 1-1/4" Hex Head Machine Screw
19	153018	2	1/4" Flat Washer

* Specify color when ordering.



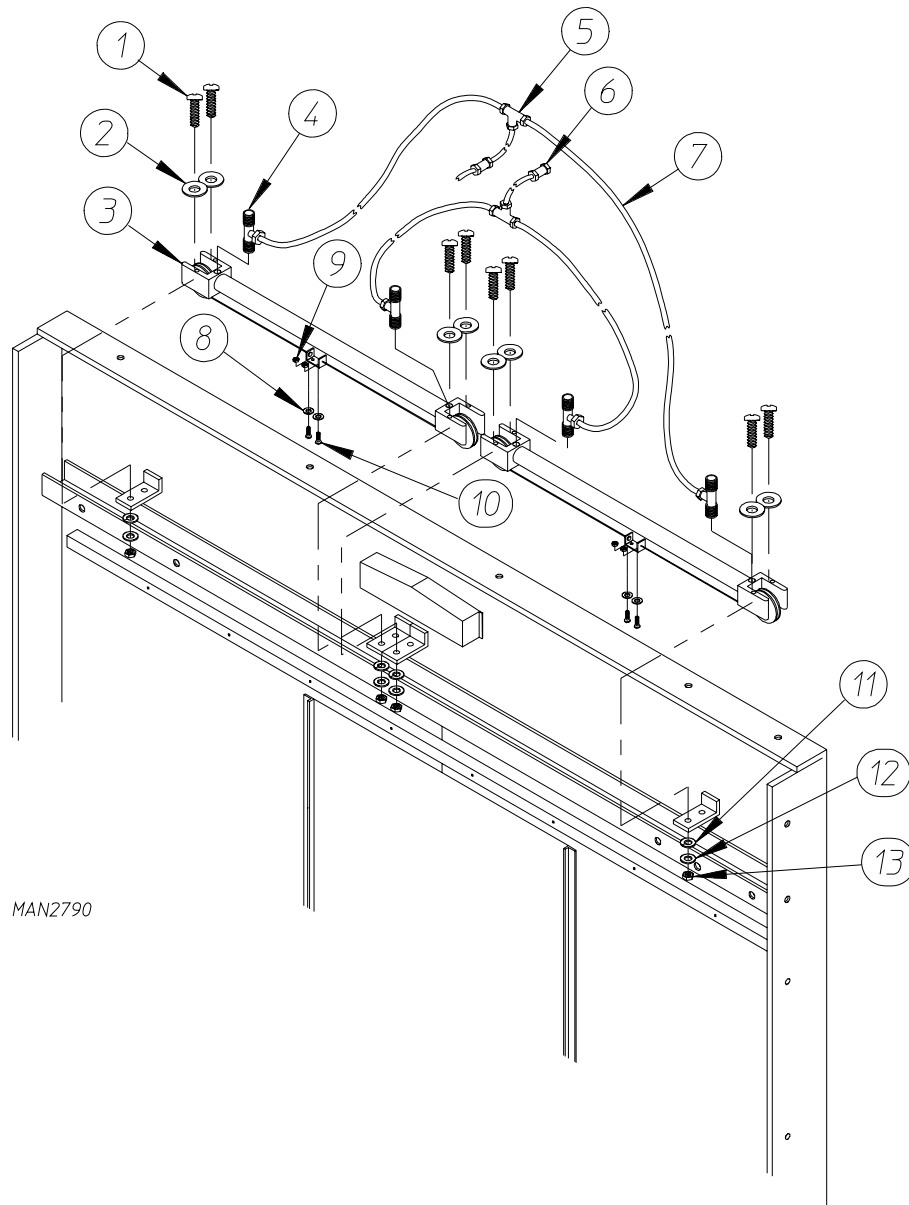
<u>Illus. No.</u>	<u>Part No.</u>	<u>Qty.</u>	<u>Description</u>
1*	881390	1	Right Automatic Load Door Assembly Complete (includes illus. nos. 1 through 12)
	881389	1	Right Automatic Load Door ONLY
2	150112	3	1/4-20 x 1-1/4" Hex Head Machine Screw
3	153018	3	1/4" Flat Washer
4	153007	3	1/4" Lock Washer
5	334134	1	Automatic Door Bracket
6	152002	3	1/4-20 Hex Nut
7	102102	1	Magnet
8	154200	1	5/32" Pop Rivet
9	170367	2	Stainless Steel Stationary Bushing
10	170366	2	Stainless Steel Sealed Wheel
11	115995	80"	Steam Damper Gasket (sold by the inch)
12	102215	1	Glass Window
	170730	1	Glass Adhesive (10.3 oz. cartridge)
13	152002	2	1/4-20 Hex Nut
14	153007	2	1/4" Lock Washer
15	170366	2	Stainless Steel Sealed Wheel
16	170367	2	Stainless Steel Stationary Bushing
17*	334558	1	Lower Trolley ONLY
18	150301	3	#8-18 x 7/16" Phillips Pan Head TEK Screw
19	150112	2	1/4-20 x 1-1/4" Hex Head Machine Screw
20	153018	2	1/4" Flat Washer

* Specify color when ordering.



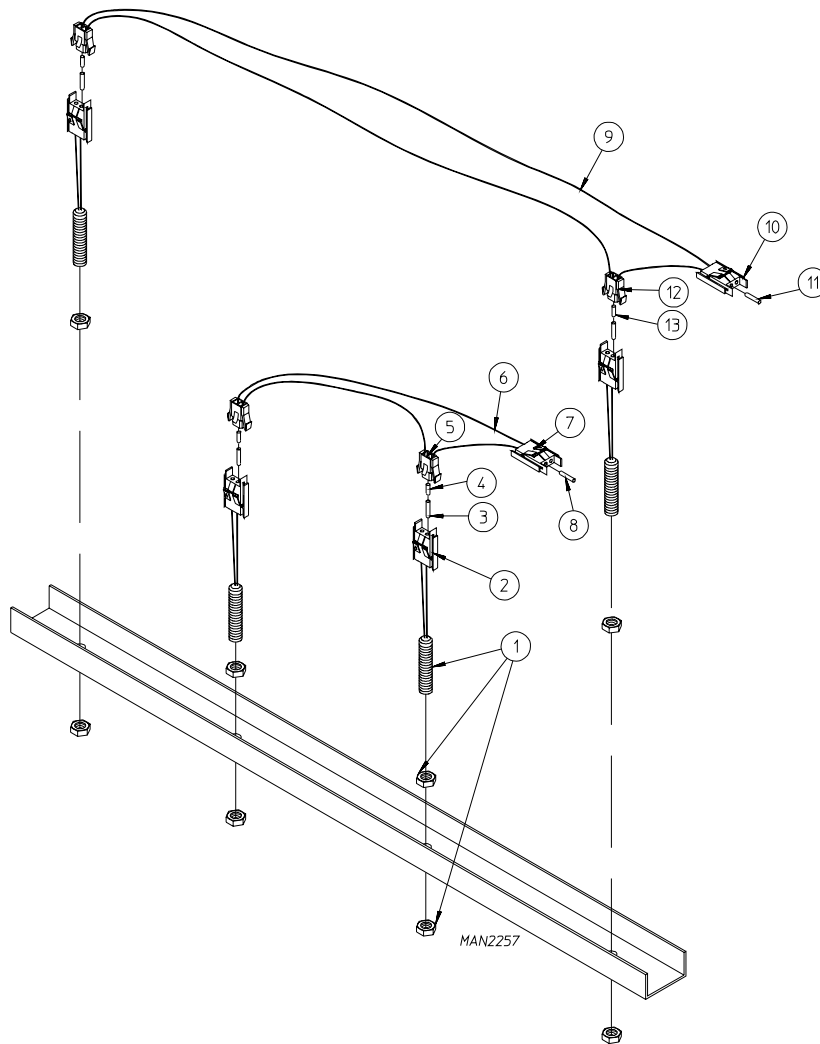
<u>Illus. No.</u>	<u>Part No.</u>	<u>Qty.</u>	<u>Description</u>
1	151001	2	#8-32 Pal Nut
2	150415	4	#10-16 x 1/2" Phillips Round Head Crimptite Screw
3	150108	2	#8-32 x 1/2" Slotted Head Machine Screw
4*	821480	1	Cycle Light Bracket (for steam models Only)
5	152001	4	#8-32 Hex Nut
6	153012	4	#8 Star Washer
7*	332850	1	Cycle Light Bracket (for gas models Only)
8	150108	2	#8-32 x 1/2" Slotted Head Machine Screw
9	123222	1	"Orange" Cycle Light
10	123221	1	Bulb - 24 VAC
11	151001	2	#8-32 Pal Nut
12	150108	4	#8-32 x 1/2" Slotted Head Machine Screw

* Specify color when ordering.



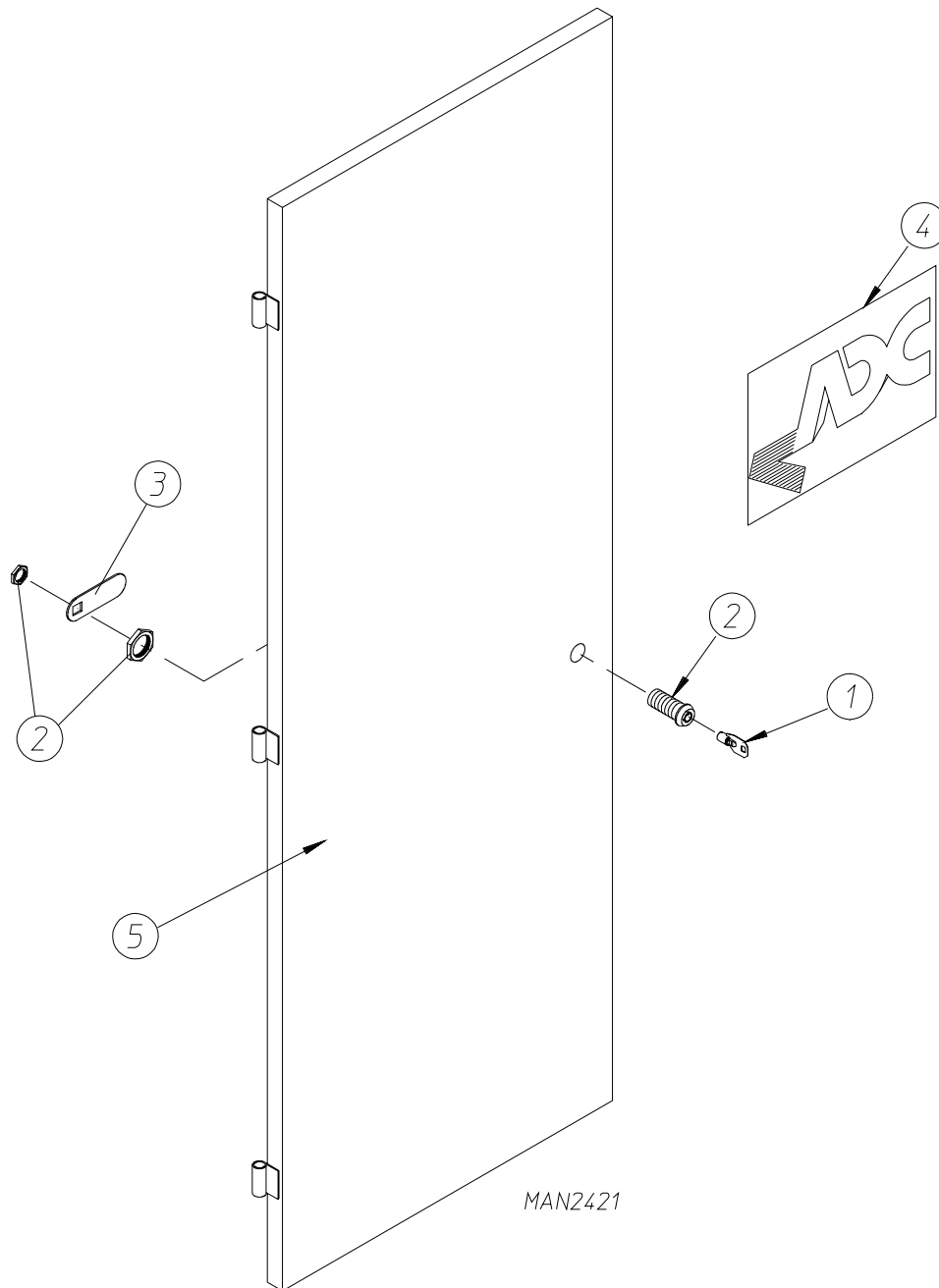
<u>Illus. No.</u>	<u>Part No.</u>	<u>Qty.</u>	<u>Description</u>
1	150308	8	#8-32 x 2-1/2" Long Machine Screw
2	153000	8	#8 Flat Washer
3	100432	2	Cable Cylinder
4	128978	4	1/8" N.P.T. x 1/4" Tube Flow Control
5	143156	2	1/4" Poly Tee
6	143154	2	1/4" Brass Poly Connector
7	143110	*	1/4" Poly-Flo Tubing (sold by the foot)
8	153012	4	#8 Star Washer
9	152001	4	#8-32 Hex Nut
10	150103	4	#8-32 x 3/4" Phillips Head Machine Screw
11	153000	8	#8 Flat Washer
12	153012	8	#8 Star Washer
13	152001	8	#8-32 Hex Nut

* As required.



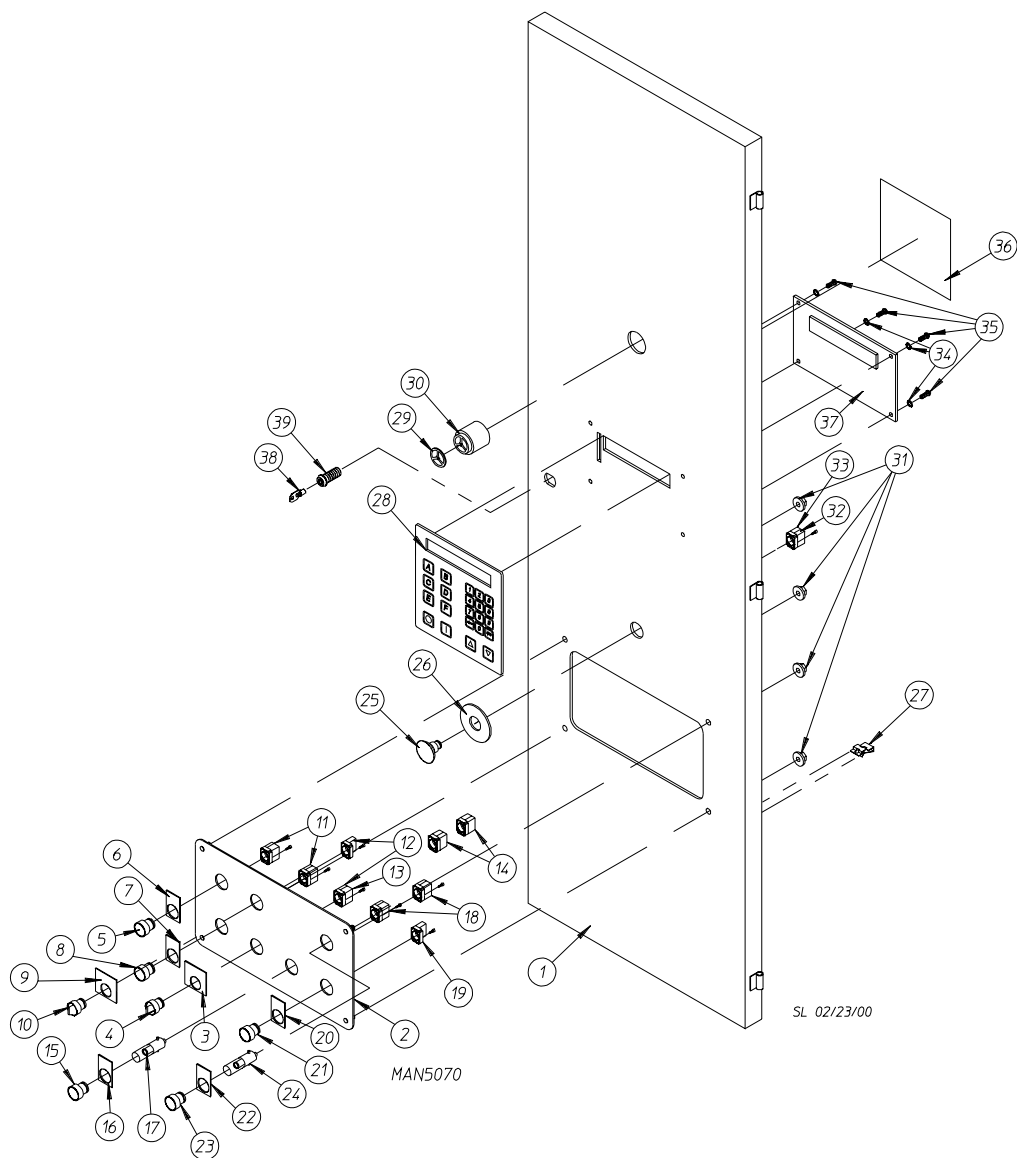
<u>Illus. No.</u>	<u>Part No.</u>	<u>Qty.</u>	<u>Description</u>
1	826514	4	Magnetic Door Switch Assembly with Nuts (includes illus. nos. 1 through 3)
2	122598	1	2-Pin Connector (male)
3	137028	2	Pin
4	137021	4	Microprocessor Socket
5	122599	2	2-Pin Socket Connector (female)
6	881240	1	Door Switch "Closed Position" Harness (includes illus. nos. 4 through 8)
7	122598	1	2-Pin Connector (male)
8	137028	2	Pin
9	881241	1	Door Switch "Open Position" Harness (includes illus. nos. 9 through 13)
10	122598	1	2-Pin Connector (male)
11	137028	2	Pin
12	122599	2	2-Pin Socket Connector (female)
13	137021	4	Microprocessor Socket

For 1 Door or 2 Door Models



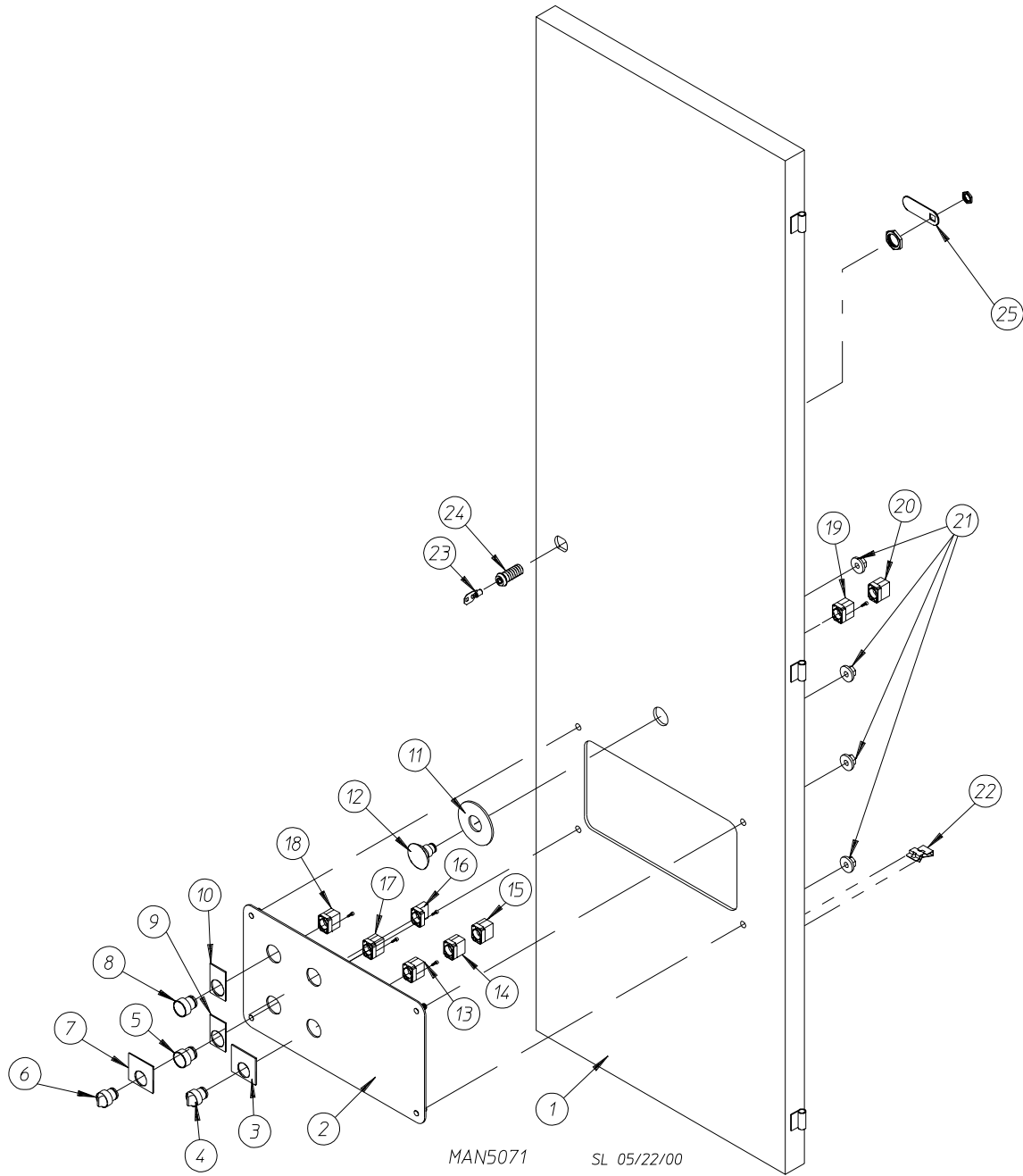
<u>Illus. No.</u>	<u>Part No.</u>	<u>Qty.</u>	<u>Description</u>
1	160140	1	ACE® XX4451 Key ONLY
2	160050	1	ACE® Control Door Lock ONLY Less Key (keyed to #XX4451)
3	160014	1	Cam ONLY
4	112360	1	ADC Logo ONLY (tape kit not included)
	870011	1	Logo Double Tape Kit
5*	821334	1	Left Hand Control Door

* Specify color when ordering.



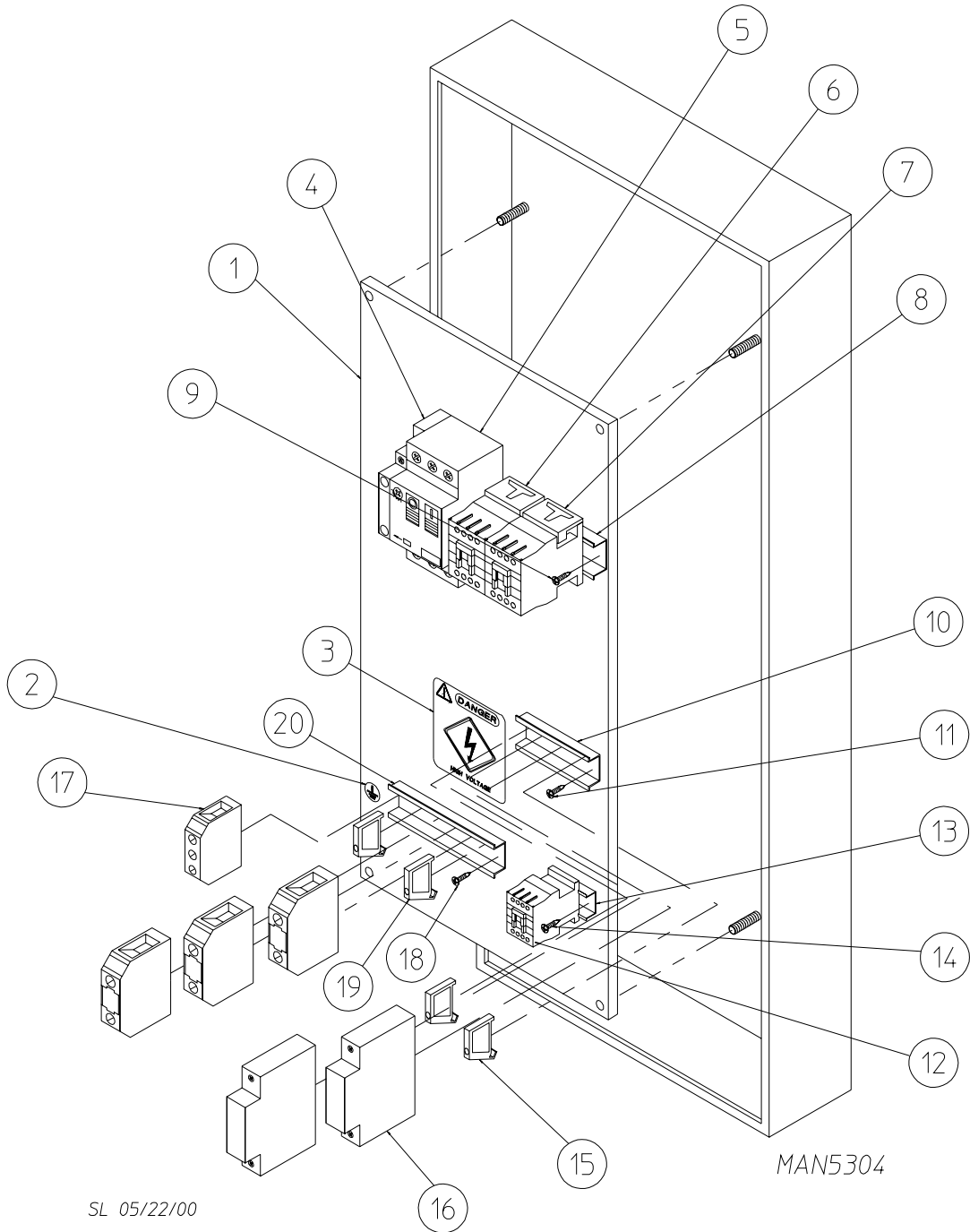
<u>Illus. No.</u>	<u>Part No.</u>	<u>Qty.</u>	<u>Description</u>
1	821597	1	Front Right Control Door ONLY
2	-----	1	Front Right Control Door Panel ONLY (refer to Right Rear/Front Control Panel Charts on page 67)
3	122438	1	Load/Dry/Unload Nameplate
4	122361	1	3-Position Maintained Operator
5	123203	1	Black Push Button Operator
6	122415	1	Nameplate "Forward"
7	122416	1	Nameplate "Reverse"
8	123202	1	White Push Button Operator
9	122413	1	Tilt Off Tilt On Nameplate
10	122360	1	2-Position Maintained Operator
11	132396	2	Mounting Base with Normally Opened (N.O.) and Normally Closed (N.C.) Contact Block
12	132394	2	Mounting Base with Normally Opened (N.O.) Contact Block

<u>Illus. No.</u>	<u>Part No.</u>	<u>Qty.</u>	<u>Description</u>
13	132386	1	Normally Opened (N.O.) Contact Block
14	132387	4	Normally Closed (N.C.) Contact Block
15	123201	1	Green Lighted Push Button Operator
16	122410	1	Engraved Nameplate: ON
17	123212	1	24 Volt Lamp
18	132388	2	Normally Opened (N.O.) Contact Block with Direct Supply
19	132395	1	Mounting Base with Normally Closed (N.C.) Contact Block
20	122421	1	Engraved Nameplate: OFF
21	123204	1	Red Push Button Operator
22	122420	1	Sprinkler Stop Nameplate
23	123200	1	Amber Lighted Push Button Operator
24	123212	1	24 Volt Lamp
25	122351	1	“EMERGENCY STOP” (E-Stop) Operator
26	122419	1	Engraved “EMERGENCY STOP” (E-Stop) Label
27	121509	6	Tie Wrap Clips
28	112571	1	Phase 7 Keyboard (touch pad)
29	134018	1	Alarm Horn Volume Control
30	128967	1	80-90 Decibel Panel Mount Alarm Horn
31	152014	4	1/4-20 with 3/4” Free Spin Wash Nut
32	132395	1	Mounting Base with Normally Closed (N.C.) Contact Block
33	132387	1	Normally Closed (N.C.) Contact Block
34	153010	4	#6 Star Washer
35	150005	4	#6-32 x 1/4” Phillips Round Head Machine Screw
36	122426	1	Caution Label
37	882896	1	Phase 7 Display Board (for models mfd. as of October 2000)
	882894	1	Phase 7 Microprocessor Control Computer (for models mfd. prior to October 2000)
38	160140	1	ACE® XX4451 Key ONLY
39	160050	1	ACE® Control Door Lock Less Key (keyed to #XX4451)



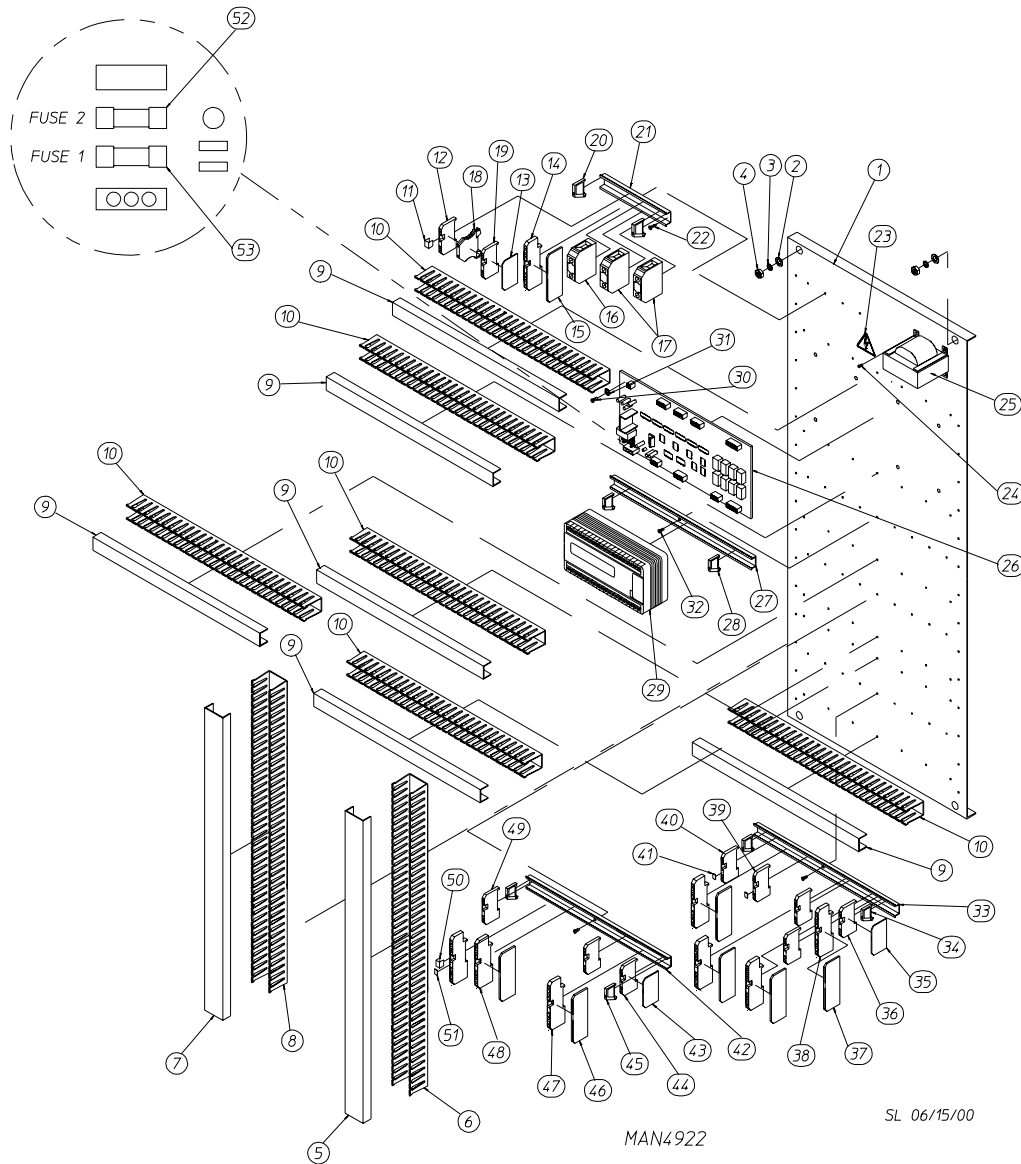
2 Door Models ONLY

<u>Illus. No.</u>	<u>Part No.</u>	<u>Qty.</u>	<u>Description</u>
1	814364	1	Right Rear Control Door ONLY
2	-----	1	Right Rear Door Control Panel (refer to Right Rear/Front Control Panel Charts on page 67)
3	122438	1	Load/Dry/Unload Nameplate
4	122361	1	3-Position Maintained Operator
5	123202	1	White Push Button Operator
6	122360	1	2-Position Maintained Operator
7	122413	1	Tilt Off Tilt On Nameplate
8	123203	1	Black Push Button Operator
9	122416	1	Nameplate "Reverse"
10	122415	1	Nameplate "Forward"
11	122419	1	"EMERGENCY STOP" (E-Stop) Label
12	122351	1	"EMERGENCY STOP" (E-Stop) Operator
13	132394	1	Mounting Base with Normally Opened (N.O.) Contact Block
14	132386	1	Normally Opened (N.O.) Contact Block
15	132387	2	Normally Closed (N.C.) Contact Block
16	132394	1	Mounting Base with Normally Opened (N.O.) Contact Block
17	132396	1	Mounting Base with Normally Opened (N.O.) and Normally Closed (N.C.) Contact Block
18	132396	1	Mounting Base with Normally Opened (N.O.) and Normally Closed (N.C.) Contact Block
19	132395	1	Mounting Base with Normally Closed (N.C.) Contact Block
20	132387	1	Normally Closed (N.C.) Contact Block
21	152014	4	1/4-20 with 3/4" Free Spin Wash Nut
22	121509	6	Tie Wrap Clips
23	160140	1	ACE® XX4451 Key ONLY
24	160050	1	ACE® Control Door Lock Less Key (keyed to #XX4451)
25	160014	1	Cam ONLY



For Models Mfd. with Thermal-Magnetic Protection ONLY

<u>Illus. No.</u>	<u>Part No.</u>	<u>Qty.</u>	<u>Description</u>
1	334269	1	Left Hand Electrical Panel
	832677	1	Left Hand Electrical Panel Assembly Complete (includes illus. nos. 1 through 20)
2	112075	1	Ground Label
3	114007	1	Danger High Voltage Label
4	-----	1	Auxiliary Contact Block For Gas and Steam Models (refer to Chart For Left Hand Base Electrical Panel on page 69)
5	-----	1	Manual Starter/Thermal-Magnetic Breaker For Gas and Steam Models (refer to Chart For Left Hand Base Electrical Panel on page 69)
6	-----	1	Reversing Contactor For Gas and Steam Models (refer to Chart For Left Hand Base Electrical Panel on page 69)
7	132437	2	Varistor
8	120768	8	35 x 15mm Din Mounting Rail
9	150300	2	#10-16 x 1/2" Hex Washer TEK Screw
10	120768	3	35 x 15mm Din Mounting Rail
11	150300	2	#10-16 x 1/2" Hex Washer TEK Screw
12	132494	1	Sprinkler Contactor (for dryer with sprinkler option Only)
13	120768	2	35 x 15mm Din Mounting Rail
14	150300	2	#10-16 x 1/2" Hex Washer TEK Screw
15	120765	2	Standard End Stop
16	-----	1	2-Pole Circuit Breaker For Gas and Steam Models (refer to Chart For Left Hand Base Electrical Panel on page 69)
17	120727	1	Ground Terminal Block
18	150300	1	#10-16 x 1/2" Hex Washer TEK Screw
19	120770	2	End Bracket 12mm
20	120768	4	35 x 15mm Din Mounting Rail



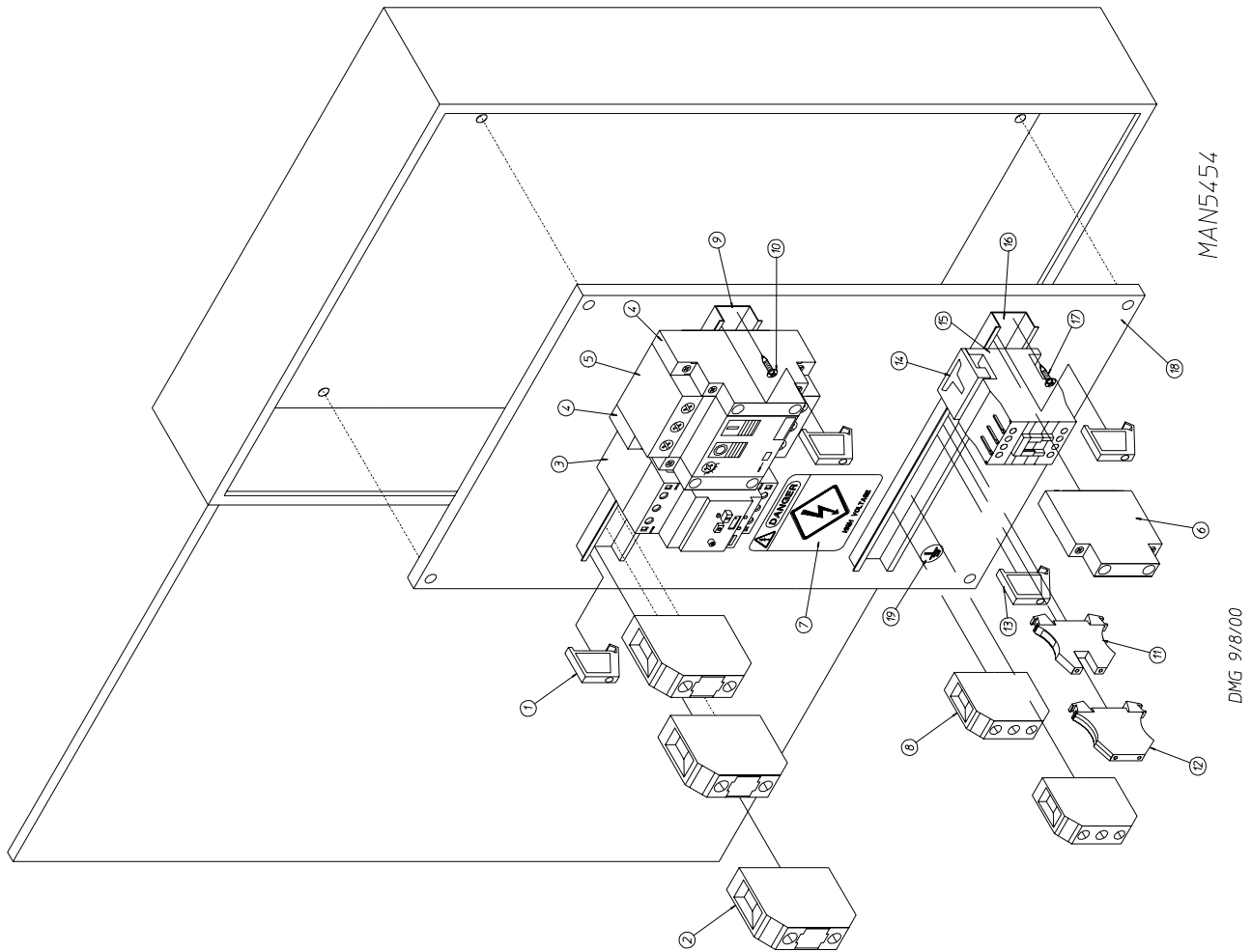
MAN4922

SL 06/15/00

<u>Illus. No.</u>	<u>Part No.</u>	<u>Qty.</u>	<u>Description</u>
1	821833	1	Front Right Electrical Panel ONLY
2	150334	4	3/8" Flat Washer
3	153005	4	3/8" Split Lock Washer
4	152005	4	3/8-16 Hex Nut
5	121422	28"	1" Wireway Cover (sold by the inch)
6	121430	28"	1" x 3" Slotted Wall Wire Duct
7	121422	31"	1" Wireway Cover (sold by the inch)
8	121430	31"	1" x 3" Slotted Wall Wire Duct
9	121422	12"	1" Wireway Cover (sold by the inch)
10	121430	12"	1" x 3" Slotted Wall Wire Duct
11	120777	10	2-Position Terminal Block Jumper
12	120771	4	2-Position Gray Line Block
13	120776	6	Small Insulator For 2-Position Block
14	120778	2	4-Position Gray Line Block
15	120801	2	Large Insulator For 4-Position Block

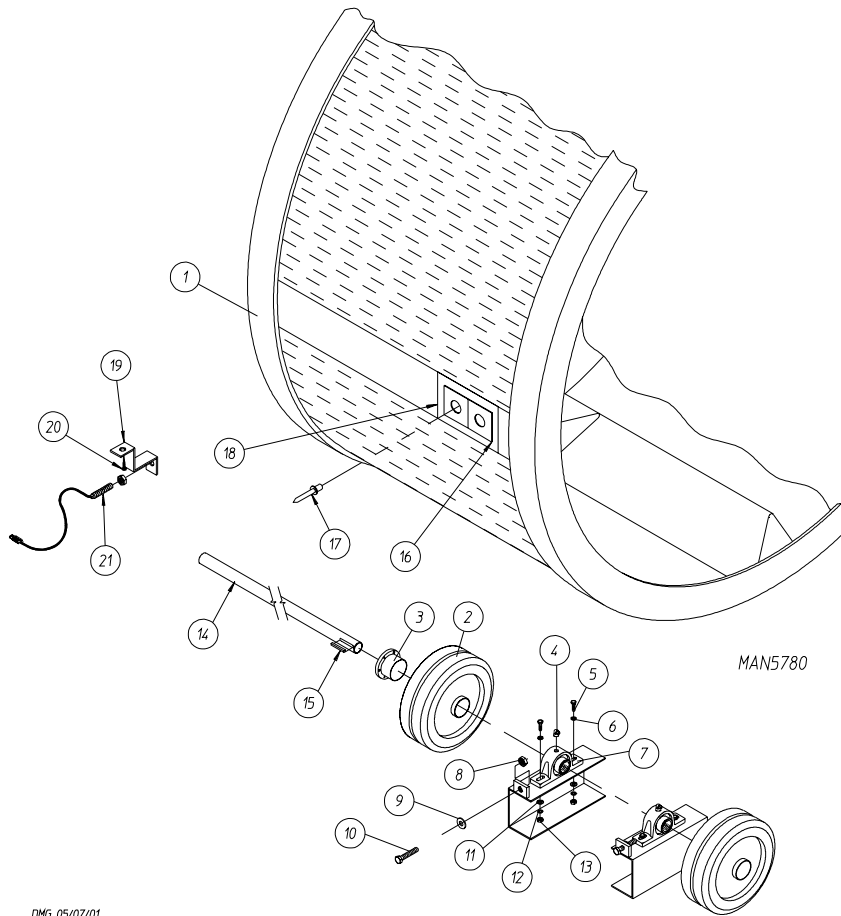
<u>Illus. No.</u>	<u>Part No.</u>	<u>Qty.</u>	<u>Description</u>
16	-----	1	Circuit Breaker #7 (refer to Right Hand Electrical Control Panel Chart on page 68)
17	-----	1	Circuit Breaker #6
18	120773	3	2-Position Green/Yellow Ground Block
19	120772	2	2-Position Blue Neutral Block
20	120765	2	Standard End Stop
21	120768	6	35 x 15mm Din Mounting Rail
22	150300	3	#10-16 x 1/2" Hex Washer TEK Screw
23	122424	1	Power Warning Label
24	150300	4	#10-16 x 1/2" Hex Washer TEK Screw
25	-----	1	Transformer Assembly (refer to Right Hand Electrical Control Panel Chart on page 68)
26	882895	1	Phase 7 Input/Output (I/O) Board (for models mfd. as of October 2000)
	882894	1	Phase 7 Microprocessor Control Computer (for models mfd. prior to October 2000)
27	120768	28	35 x 15mm Din Mounting Rail
28	120765	2	Standard End Stop
29	882892	1	Auto Door TSX 07 PLC
	882893	1	Main Manual Door TSX 07 PLC
30	150005	4	#6-32 x 1/4" Phillips Round Head Machine Screw
31	153010	4	#6 Star Washer
32	150300	4	#10-16 x 1/2" Hex Washer TEK Screw
33	120768	12"	35 x 15mm Din Mounting Rail
34	120765	2	Standard End Stop
35	120776	1	Small Insulator For 2-Position Block
36	120771	21	2-Position Gray Line Block
37	120801	4	Large Insulator For 4-Position Block
38	120778	13	4-Position Gray Line Block
39	120773	3	2-Position Green/Yellow Ground Block
40	120772	1	2-Position Blue Neutral Block
41	401024	4	Marking Tags
42	120768	12"	35 x 15mm Din Mounting Rail
43	120776	1	Small Insulator For 2-Position Block
44	120773	1	2-Position Green/Yellow Ground Block
45	120765	2	Standard End Stop
46	120801	7	Large Insulator For 4-Position Terminal Block
47	120778	32	4-Position Gray Line Block
48	120779	3	4-Position Blue Neutral Block
49	120771	9	2-Position Gray Line Block
50	120805	10	4-Position Terminal Block Jumper
51	401024	4	Marking Tags
52	136109	1	2-Amp 250v (fast acting) Fuse
53	136016	1	5-Amp 250v (fast acting) Fuse

Base Main Electrical Junction Box Assembly
For Models Mfd. with Thermal-Magnetic Protection ONLY

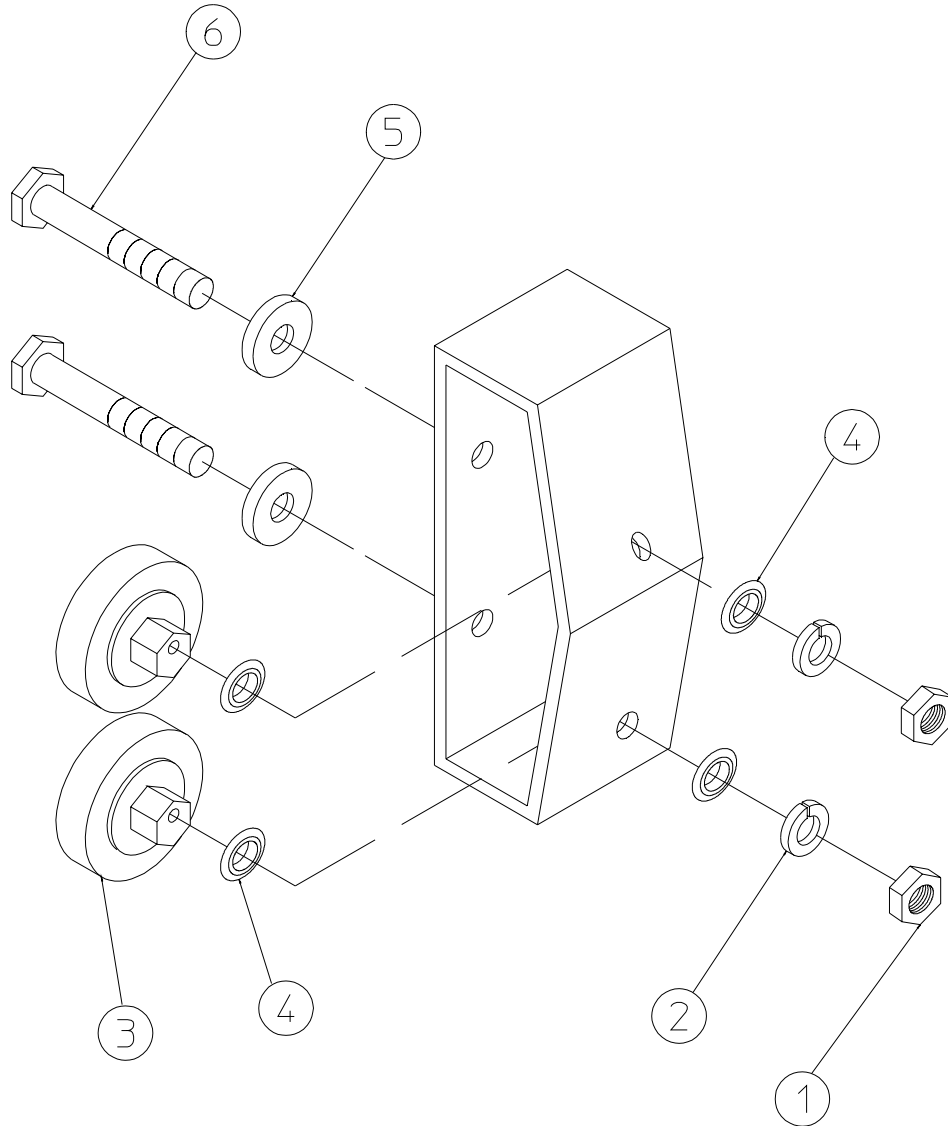


For Models Mfd. with Thermal-Magnetic Protection ONLY

<u>Illus. No.</u>	<u>Part No.</u>	<u>Qty.</u>	<u>Description</u>
1	120770	2	End Bracket 12mm
2	120760	3	Terminal Block
3	131957	1	Circuit Breaker #4 (25-40 amp manual starter)
4	-----	1	Auxiliary Contact Block (refer to Chart For Right Hand Base Electrical Panel on page 69)
5	-----	1	Manual Starter (refer to Chart For Right Hand Base Electrical Panel on page 69)
6	-----	1	Auxiliary Contact Block (refer to Chart For Right Hand Base Electrical Panel on page 69)
7	114007	1	Danger High Voltage Label
8	120727	2	Ground Terminal Block
9	120768	8	35 x 15mm Din Mounting Rail
10	150300	4	#10-16 x 1/2" Hex Washer TEK Screw
11	120750	1	Ground Terminal Block (for sprinkler option)
12	120758	2	Feed Thru Terminal Block
13	120765	2	Standard End Stop
14	-----	1	Varistor (refer to Chart For Right Hand Base Electrical Panel on page 69)
15	-----	1	Contactore (refer to Chart For Right Hand Base Electrical Panel on page 69)
16	120768	8	35 x 15mm Din Mounting Rail
17	150300	4	#10-16 x 1/2" Hex Washer TEK Screw
18	331499	1	Panel ONLY
19	112075	1	Ground Here Label

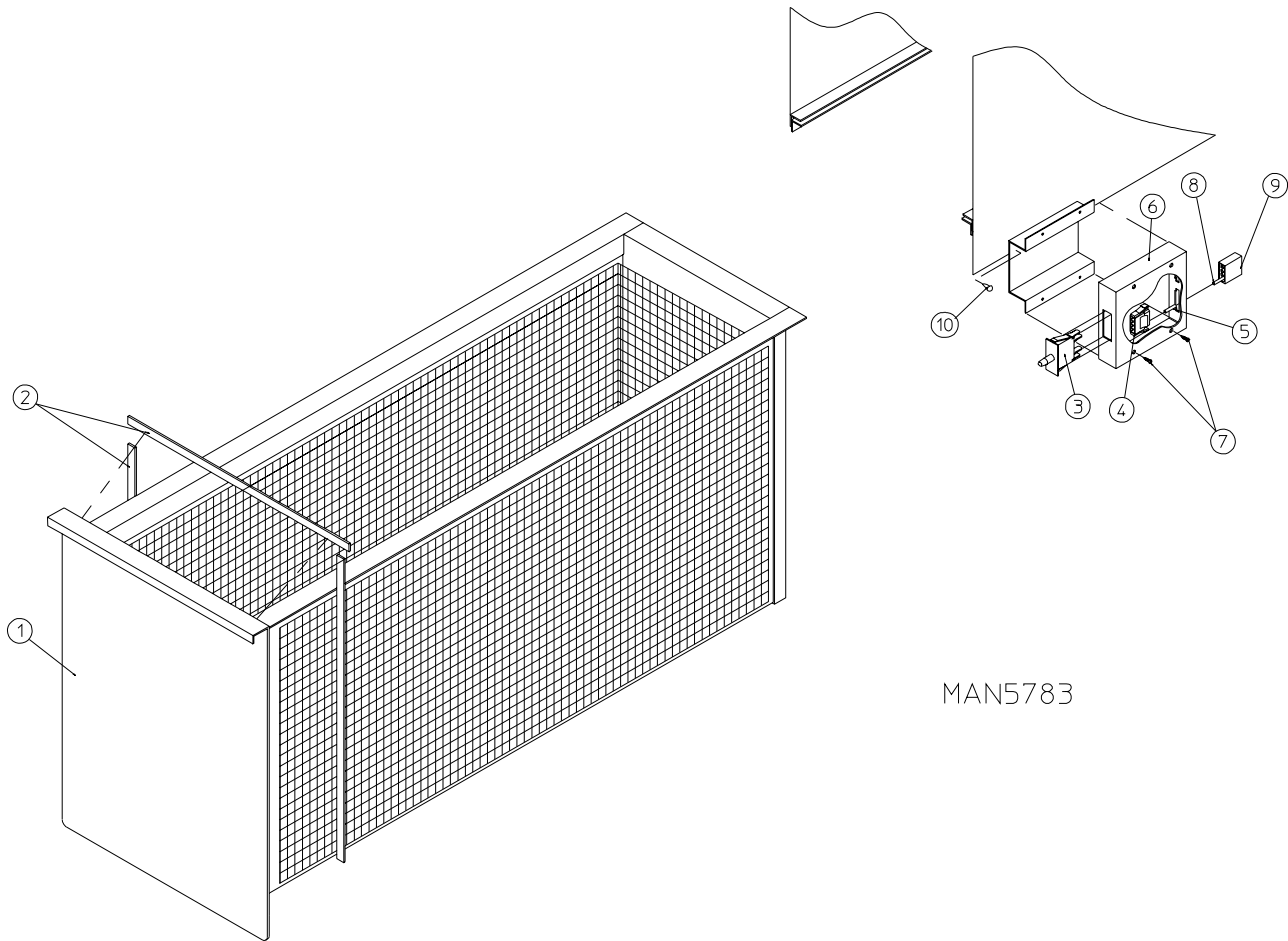


<u>Illus. No.</u>	<u>Part No.</u>	<u>Qty.</u>	<u>Description</u>
1	814068	1	Basket (tumbler) Assembly
	814746	1	Removable Perforated Basket (tumbler) Assembly
	814747	1	Removable Perforated Panel
2	820600	2	Drive Wheel Assembly
3	101191	2	2" Bore Split Taper Bushing
4	170511	2	1/8-27 N.P.T. Grease Fitting
5	150627	4	5/8-11 x 5" Hex Head Bolt
6	153016	4	5/8" Flat Washer
7	880882	2	2" Pillow Block Bearing
8	152011	2	1/2-13 Hex Nut
9	153026	2	1/2" Lock Washer
10	150629	2	1/2-13 x 3-1/2" Long Full Thread Bolt
11	153016	4	5/8" Flat Washer
12	153015	4	5/8" Lock Washer
13	152010	4	5/8-11 Hex Nut
14	334578	1	Idler Shaft
15	100712	2	1/2" x 1/2" x 3" Long Key
16	102102	2	Magnet
17	154200	2	5/32" Pop Rivet
18	333163	1	Magnet Plate for Rotational Sensor
19	333152	1	Phase 7 Rotational Sensor Bracket
20	150309	1	#10-16 x 1/2" Hex Head Crimptite TEK
21	882633	1	Rotational Sensor Proximity Switch



MAN2793

<u>Illus. No.</u>	<u>Part No.</u>	<u>Qty.</u>	<u>Description</u>
1	152005	2	3/8-16 Hex Nut
2	153005	2	3/8" Split Lock Washer
3	820566	2	Retaining Wheel Assembly
4	153062	4	Spherical Washer
5	153004	2	3/8" Flat Washer
6	150438	2	3/8-16 x 3-1/4" Long Bolt

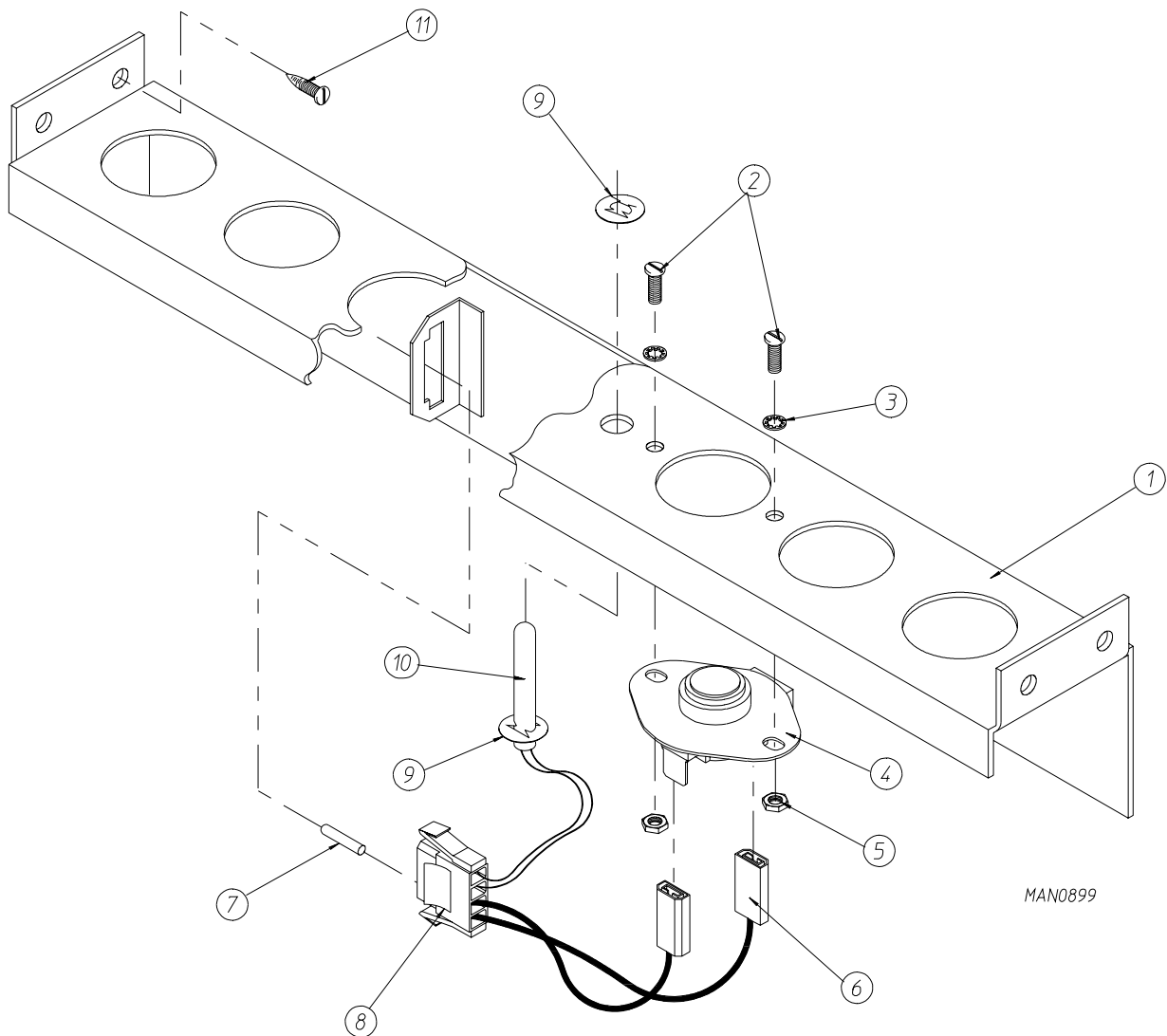


MAN5783

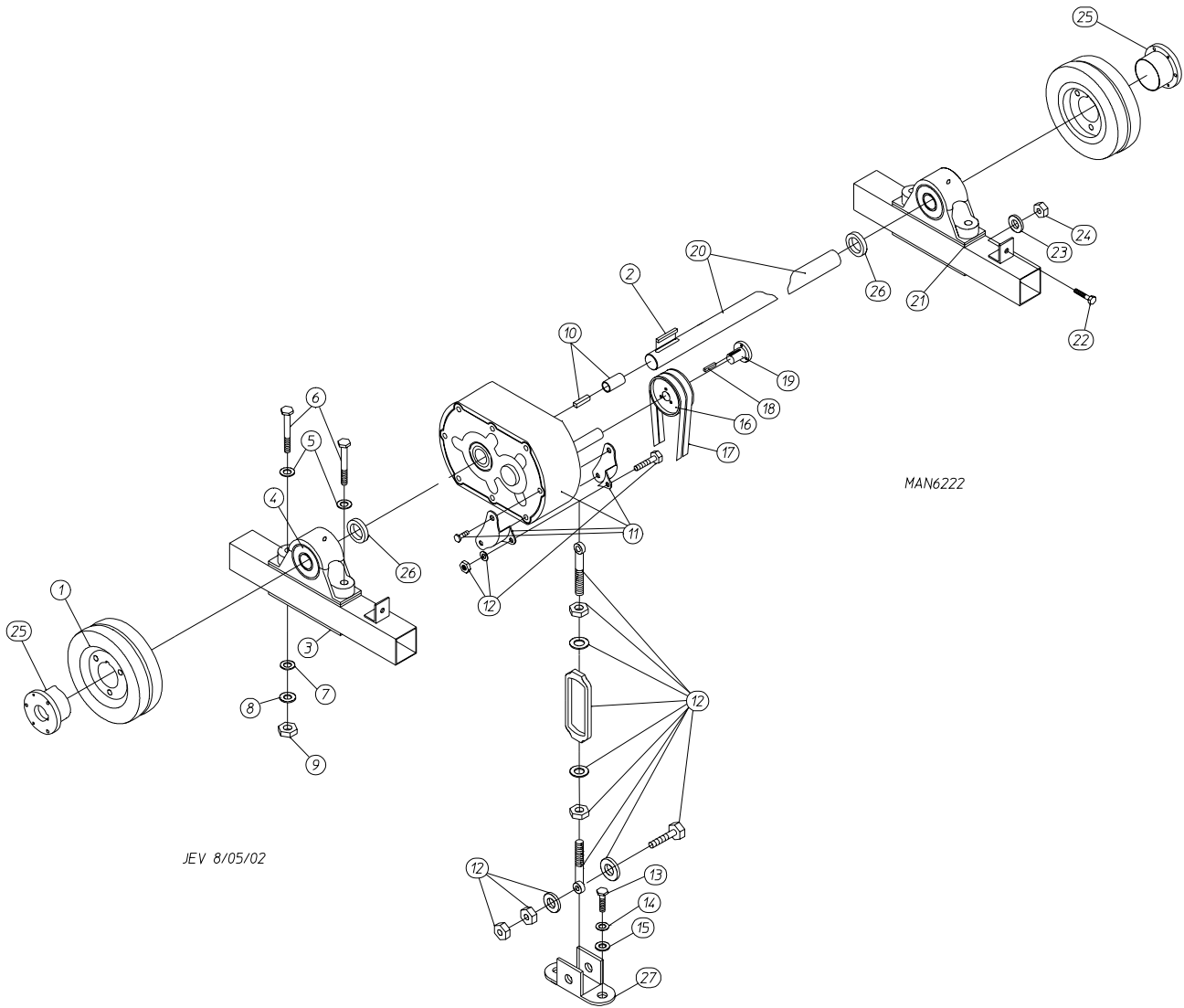
DMG 05/07/01

<u>Illus. No.</u>	<u>Part No.</u>	<u>Qty.</u>	<u>Description</u>
1*	802107	1	Stainless Steel Lint Draw Assembly (includes illus nos. 1 and 2)
2	117602	7	Noise Suppressor Tape (sold by the foot)
3	122116	1	Lint Drawer Switch ONLY
4	122605	2	4-Pin Socket Connector (female)
5	122701	4	Socket Terminal ONLY
	122801	1	Pin/Socket Extraction Tool (not illustrated)
6	800264	1	Lint Drawer Switch Box Assembly Complete (includes illus. nos. 4 through 7)
	320003	1	Lint Drawer Switch Box ONLY
7	150301	4	#8-18 x 7/16" Phillips Pan Head TEK Screw
8	122700	4	Pin Terminal ONLY
9	122604	2	4-Pin Connector ONLY
10	150301	2	#8-18 x 7/16" Phillips Pan Head TEK Screw

* Specify color when ordering.



<u>Illus. No.</u>	<u>Part No.</u>	<u>Qty.</u>	<u>Description</u>
1	814008	1	Sensor Bracket Assembly
	814009	1	Sensor Bracket Assembly Complete (includes illus. nos. 1 through 10)
2	150000	2	#6-32 x 1/4" Slotted Round Head Machine Screw
3	153010	2	#6 Star Washer
4	130112	1	225° Thermostat ONLY
5	152000	2	#6-32 Hex Nut
6	121028	2	1/4" x 0.032 Insulated Terminal
7	122701	4	Socket Terminal ONLY
8	122605	1	4-Pin Socket Connector (female)
9	154007	2	1/4" Push On Fastener
10	880251	1	1/4" Temperature Sensor Probe Assembly (includes illus. nos. 6 through 10)
11	150301	4	#8-18 x 7/16" Phillips Pan Head TEK Screw

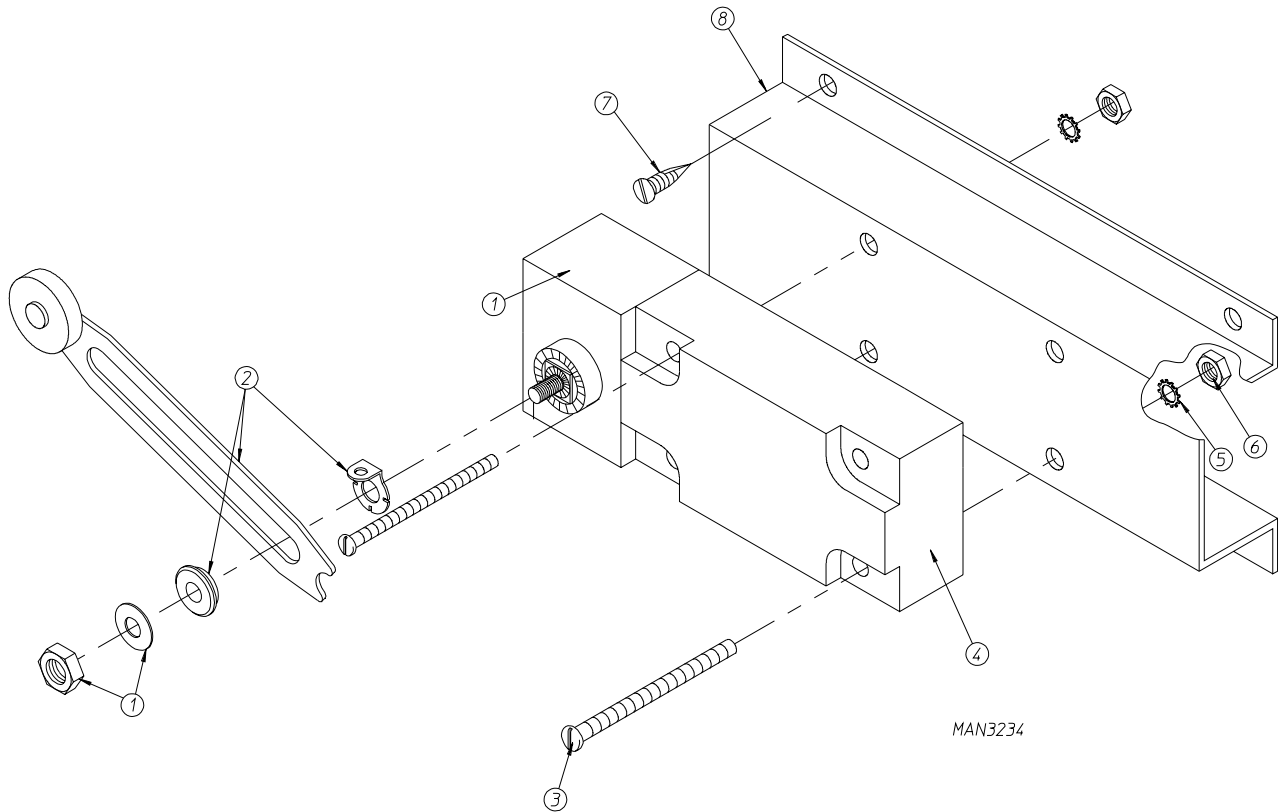


JEV 8/05/02

MAN6222

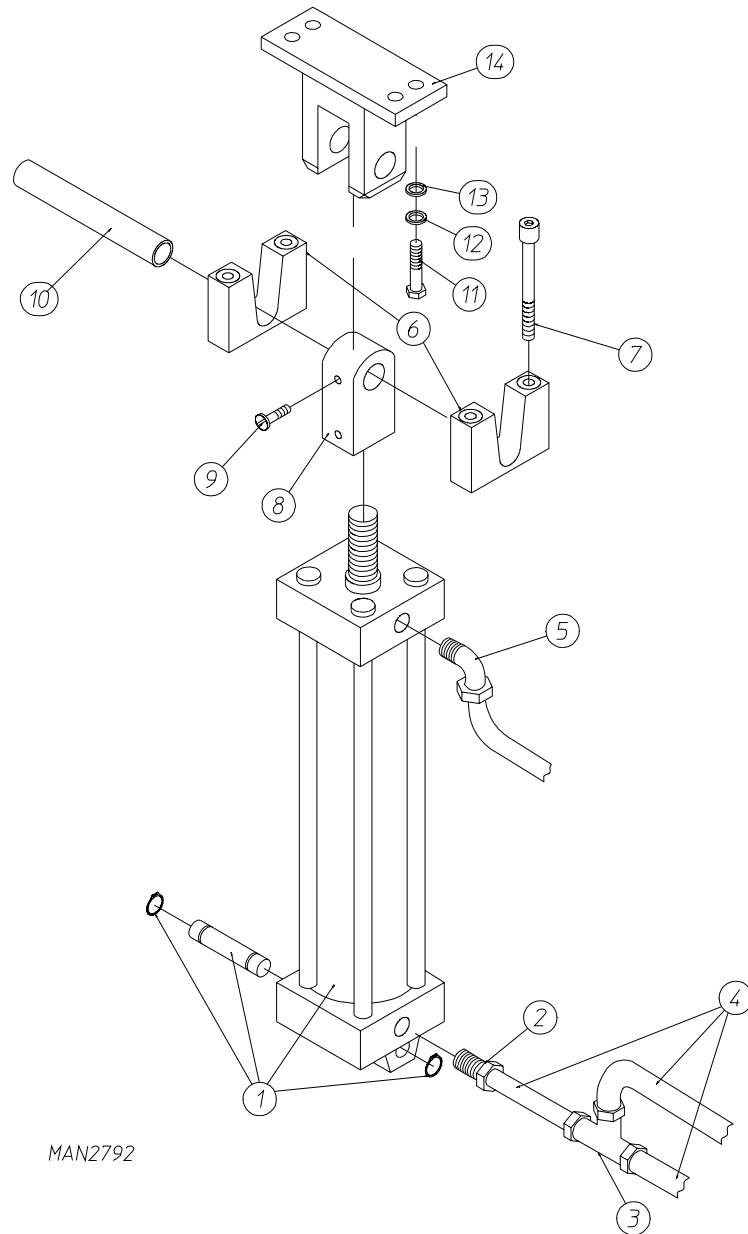
<u>Illus. No.</u>	<u>Part No.</u>	<u>Qty.</u>	<u>Description</u>
1	820600	2	Drive Wheel Assembly with Hub
2	100712	2	1/2" x 1/2" x 3" Key
3	331760	2	Bearing Mount
4	880882	2	2" Pillow Block Bearing with Setscrews and Grease Fitting
5	153016	4	5/8" Flat Washer
6	150627	4	5/8-11 x 5" Hex Head Bolt
7	153016	2	5/8" Flat Washer
8	153015	4	5/8" Lock Washer
9	152010	4	5/8-11 Hex Nut
10	101022	1	2" Bore Tapered Bushing
11	101019	1	Taper Bushed Speed Reducer
12	154395	1	Gear Reducer Turnbuckle
13	150508	2	3/8-16 x 3/4" Hex Head Machine Bolt
14	153005	2	3/8" Lock Washer
15	153004	2	3/8" Flat Washer
16	101176	1	2B x 5.6 Pulley
17*	100118	2	5L-310 V-Belt (for models mfd. as of August 14, 2000) For 60 Hz Models ONLY
	100143	2	A29 V-Belt (basket [tumbler] to drive motor) For 60 Hz Models ONLY (for models mfd. prior to August 14, 2000)
	100119	2	5L-320 V-Belt For 50 Hz Models ONLY (for models mfd. as of August 14, 2000)
	100138	2	A30 V-Belt (basket [tumbler] to drive motor) For 50 Hz Models ONLY (for models mfd. prior to August 14, 2000)
18	100709	1	3/8" x 3/8" x 2" Key
19	101196	1	SDS x 1-5/8" Bushing with Setscrew
20	346510	1	2" x 79-1/16" Drive Shaft
21	332838	2	Basket (tumbler) Bearing Spacer
22	150629	2	1/2-13 x 3-1/2" Hex Head Bolt
23	153026	2	1/2" Lock Washer
24	152011	2	1/2-13 Hex Nut
25	101191	2	2" Bore Tapered Bushing
26	101171	2	Lock Collar - 2" Bore
27	101025	1	Fulcrum

* Replace in matched sets (both belts).



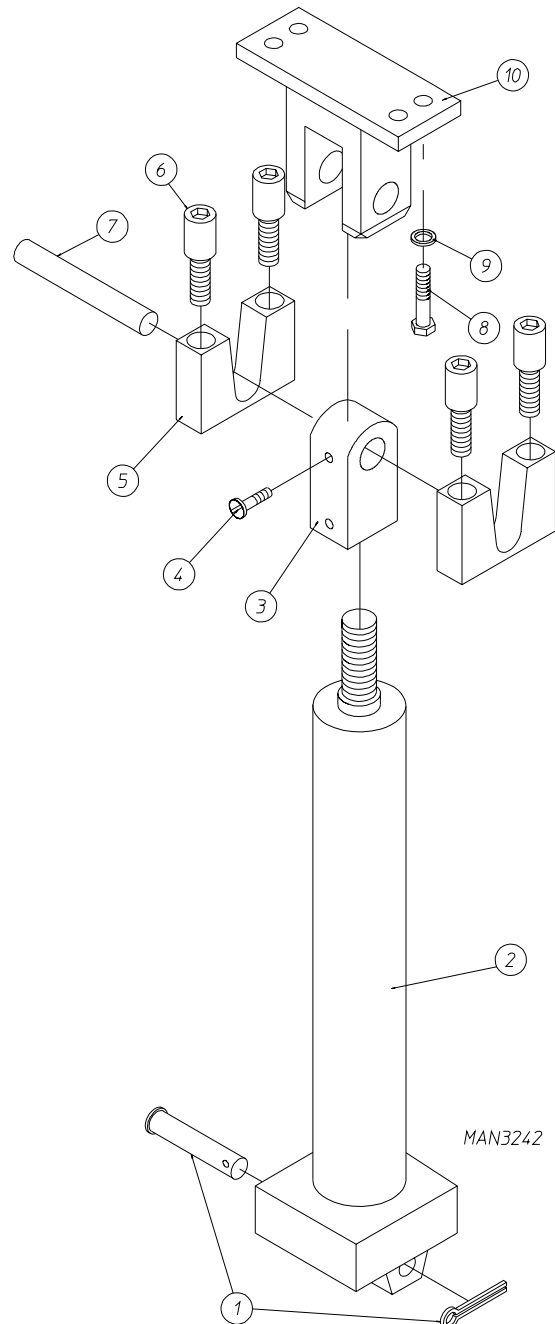
<u>Illus. No.</u>	<u>Part No.</u>	<u>Qty.</u>	<u>Description</u>
1	881252	1	Tilt Switch Assembly Complete (includes illus. nos. 1, 2, and 4)
	122365	1	Limit Switch Rotary Head ONLY
2	122369	1	Tilt Switch Arm
3	150211	4	#10-32 x 2" Phillips Pan Head Machine Screw
4	122367	1	Tilt Switch Body
5	153009	4	#10 Star Washer
6	152008	4	#10-32 Hex Nut
7	150309	4	#10-16 x 1/2" Hex Head TEK Crimplite Screw
8	332794	1	Tilt Switch Bracket

NOTE: One assembly for 1-way tilt models. Two assemblies for 2-way tilt models.

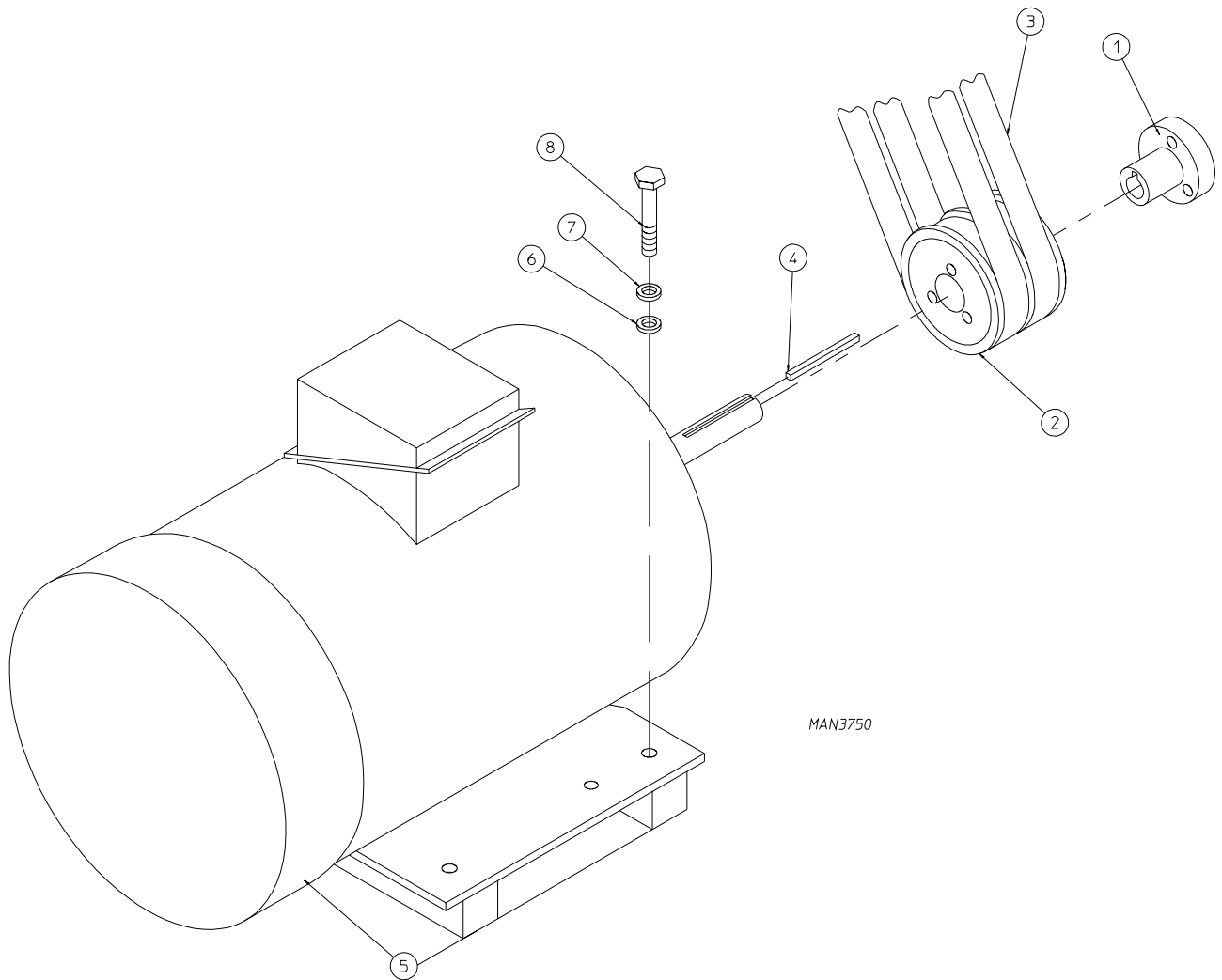


MAN2792

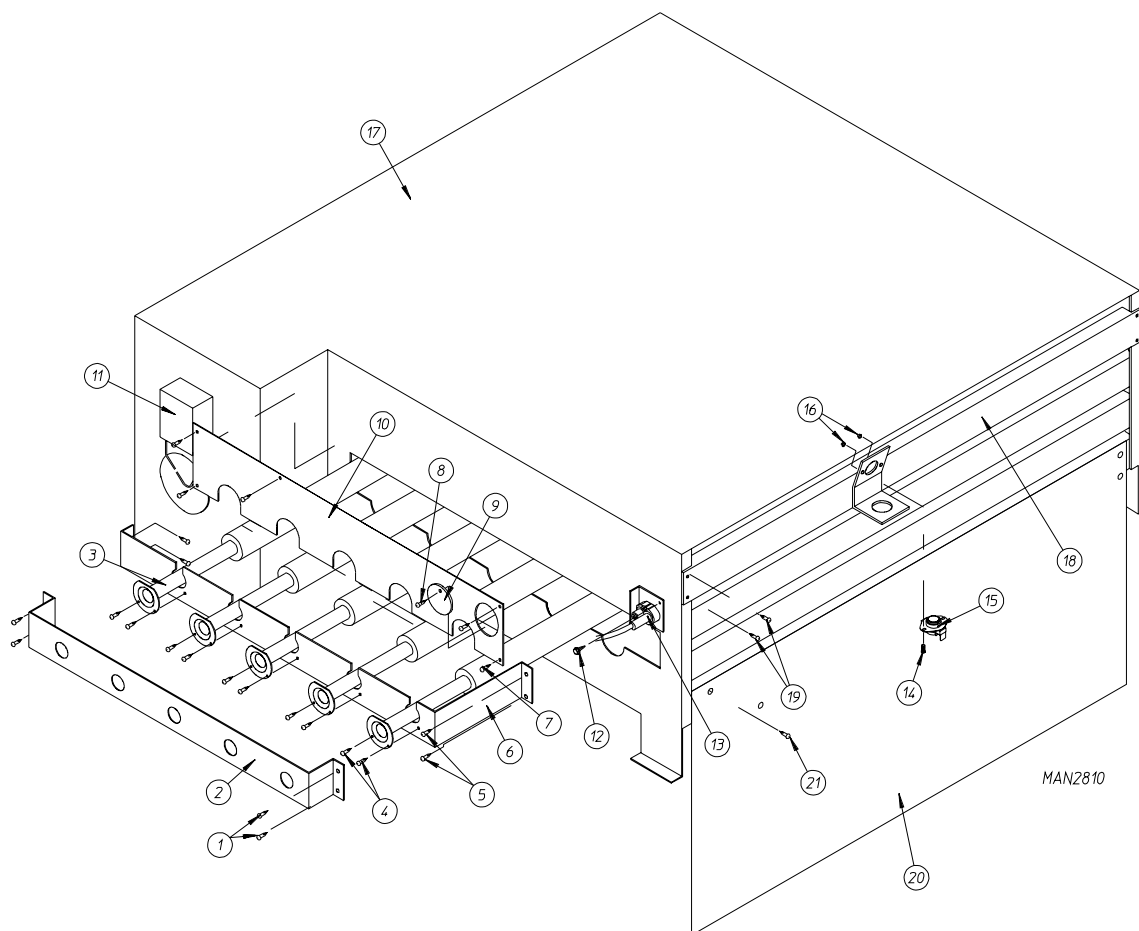
<u>Illus. No.</u>	<u>Part No.</u>	<u>Qty.</u>	<u>Description</u>
1	100562	1	Piston (5" Bore, 15" Stroke)
2	143283	1	3/8" Poly x 3/8" M.P.T. Straight Connector
3	143221	1	3/8" Poly Tee (brass)
4	143120	20	3/8" Poly Tubing (sold by the foot)
5	143213	1	3/8" Poly x 3/8" Elbow Brass
6	334309	2	Cylinder Pin Nylon Bumper
7	150435	4	3/8-16 x 3" Socket Head Cap Screw
8	100553	1	Rod Eye
9	154315	2	1/4-20 x 1" Socket Head Setscrew
10	331543	1	1" Diameter Pin
11	150599	4	1/4-20 x 1-1/4" Hex Head Machine Bolt
12	153026	4	1/2" Lock Washer
13	153011	4	9/16" I.D. Flat Washer
14	881170	1	Clevis Assembly



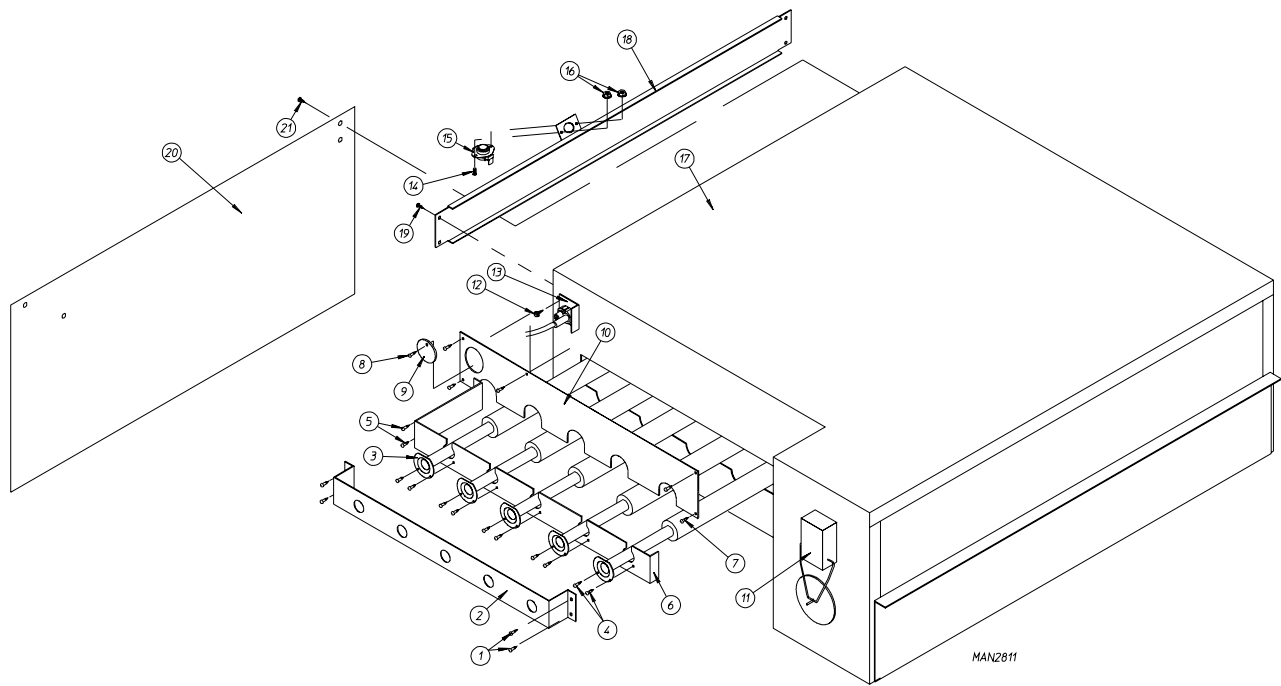
<u>Illus. No.</u>	<u>Part No.</u>	<u>Qty.</u>	<u>Description</u>
1	100487	1	3/4" Diameter Pin with Cotter Pin
2	881529	1	Post Assembly
3	100553	1	Rod Eye
4	154315	2	1/4-20 x 1" Socket Head Setscrew
5	334309	2	Cylinder Pin Nylon Bumper
6	150435	4	3/8-16 x 3" Socket Head Cap Screw
7	331543	1	1" Diameter Pin
8	150599	4	1/2-20 x 1-1/8" Hex Head Bolt
9	153026	4	1/2" Lock Washer
10	881170	1	Clevis Assembly



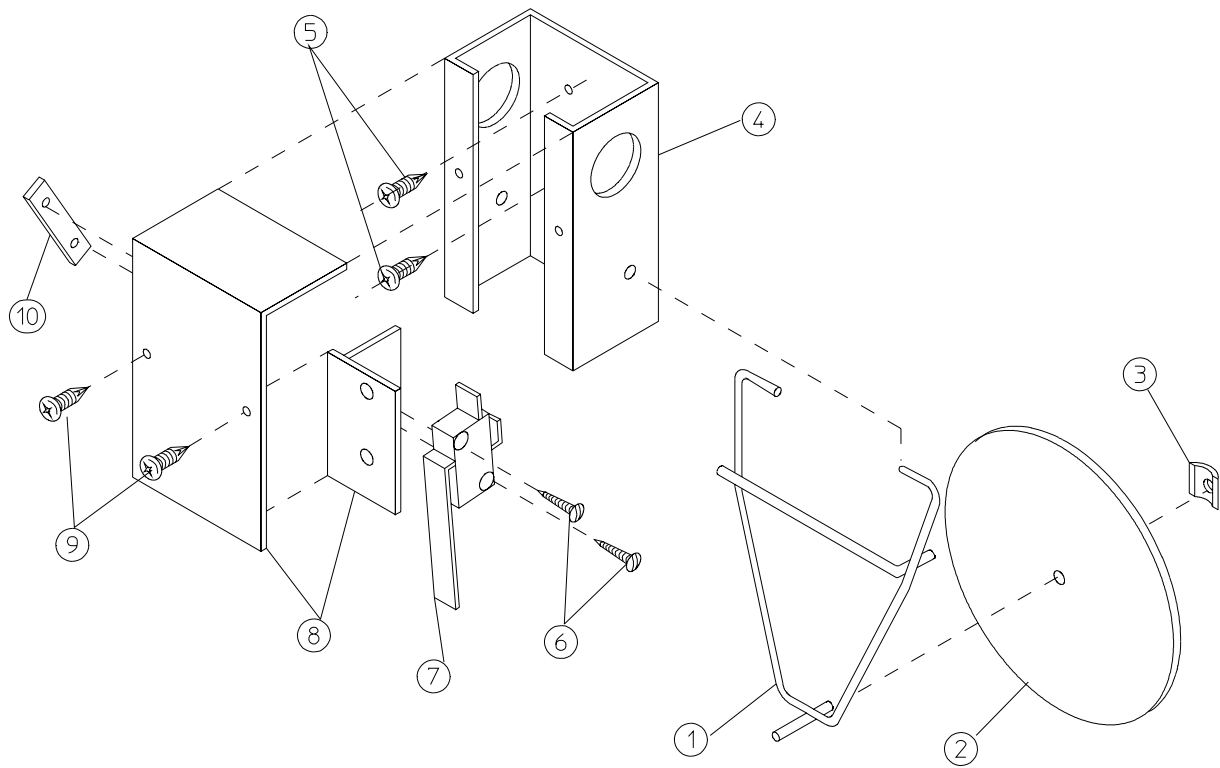
<u>Illus. No.</u>	<u>Part No.</u>	<u>Qty.</u>	<u>Description</u>
1	101152	1	SH x 1-3/8" Bushing
2	101187	1	2B x 3.6 Sheave (60 Hz models)
	101195	1	2B x 4.4 Sheave (50 Hz models)
3	100143	2	A 29 Belt
4	100704	1	1/4" x 1/4" x 1-3/4" Key
5	181023	1	7-1/2 HP 50/60 Hz Drive Motor
6	153004	4	3/8" Flat Washer
7	153005	4	3/8" Split Lock Washer
8	150508	4	3/8-16 x 3/4" Hex Head Bolt



<u>Illus. No.</u>	<u>Part No.</u>	<u>Qty.</u>	<u>Description</u>
1	150301	4	#8-18 x 7/16" Phillips Pan Head TEK Screw
2	334086	1	Manifold Rest
3	141110	5	Burner Tube
4	150301	10	#8-18 x 7/16" Phillips Pan Head TEK Screw
5	150301	4	#8-18 x 7/16" Phillips Pan Head TEK Screw
6	334083	1	Front Burner Tube Rest
7	150301	5	#8-18 x 7/16" Phillips Pan Head TEK Screw
8	150301	5	#8-18 x 7/16" Phillips Pan Head TEK Screw
9	331290	1	Sight Hole Disk
10	332597	1	Burner Box Cover Plate
11	-----	1	Sail Switch Assembly (refer to Sail Switch Assembly on page 40)
12	150309	2	#10-16 x 1/2" Hex Head TEK Crimptite Screw
13	880943	1	Ignitor/Flame Probe Assembly Kit
	881943	1	High Voltage (HV) Wire Kit
14	150001	2	#6-32 x 1/2" Round Head Machine Screw
15	130401	1	L-330 Hi-Limit
16	151000	2	#6-32 Pal Nut
17	881395	1	Front Burner Box ONLY
18	881144	1	Hi-Limit Mounting Bracket
19	150301	4	#8-18 x 7/16 Phillips Pan Head TEK Screw
20	332826	1	Burner Baffle
21	150301	4	#8-18 x 7/16" Phillips Pan Head TEK Screw

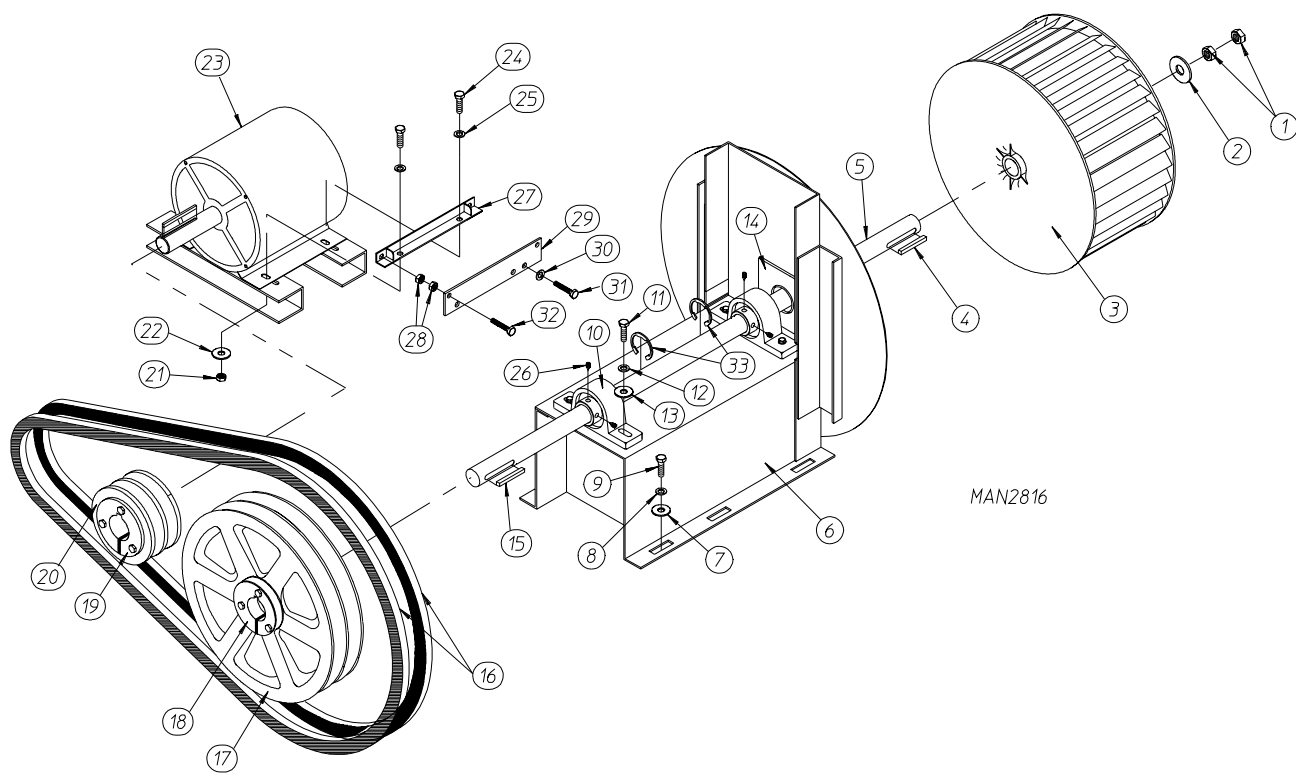


<u>Illus. No.</u>	<u>Part No.</u>	<u>Qty.</u>	<u>Description</u>
1	150301	4	#8-18 x 7/16" Phillips Pan Head TEK Screw
2	334086	1	Manifold Rest
3	141110	5	Burner Tube
4	150301	10	#8-18 x 7/16" Phillips Pan Head TEK Screw
5	150301	4	#8-18 x 7/16" Phillips Pan Head TEK Screw
6	334084	1	Rear Burner Tube Rest
7	150301	5	#8-18 x 7/16" Phillips Pan Head TEK Screw
8	150301	1	#8-18 x 7/16" Phillips Pan Head TEK Screw
9	331290	1	Sight Hole Disk
10	332597	1	Burner Box Cover Plate
11	-----	1	Sail Switch Assembly (refer to Sail Switch Assembly on page 40)
12	150309	2	#10-16 x 1/2" Hex Head TEK Crimptite Screw
13	880943	1	Ignitor/Flame Probe Assembly Kit
14	150001	2	#6-32 x 1/2" Round Head Machine Screw
15	130401	1	L-330 Hi-Limit
16	151000	2	#6-32 Pal Nut
17	881394	1	Rear Burner Box ONLY
18	881144	1	Hi-Limit Mounting Bracket
19	150301	4	#8-18 x 7/16 Phillips Pan Head TEK Screw
20	332826	1	Burner Baffle
21	150301	4	#8-18 x 7/16" Phillips Pan Head TEK Screw

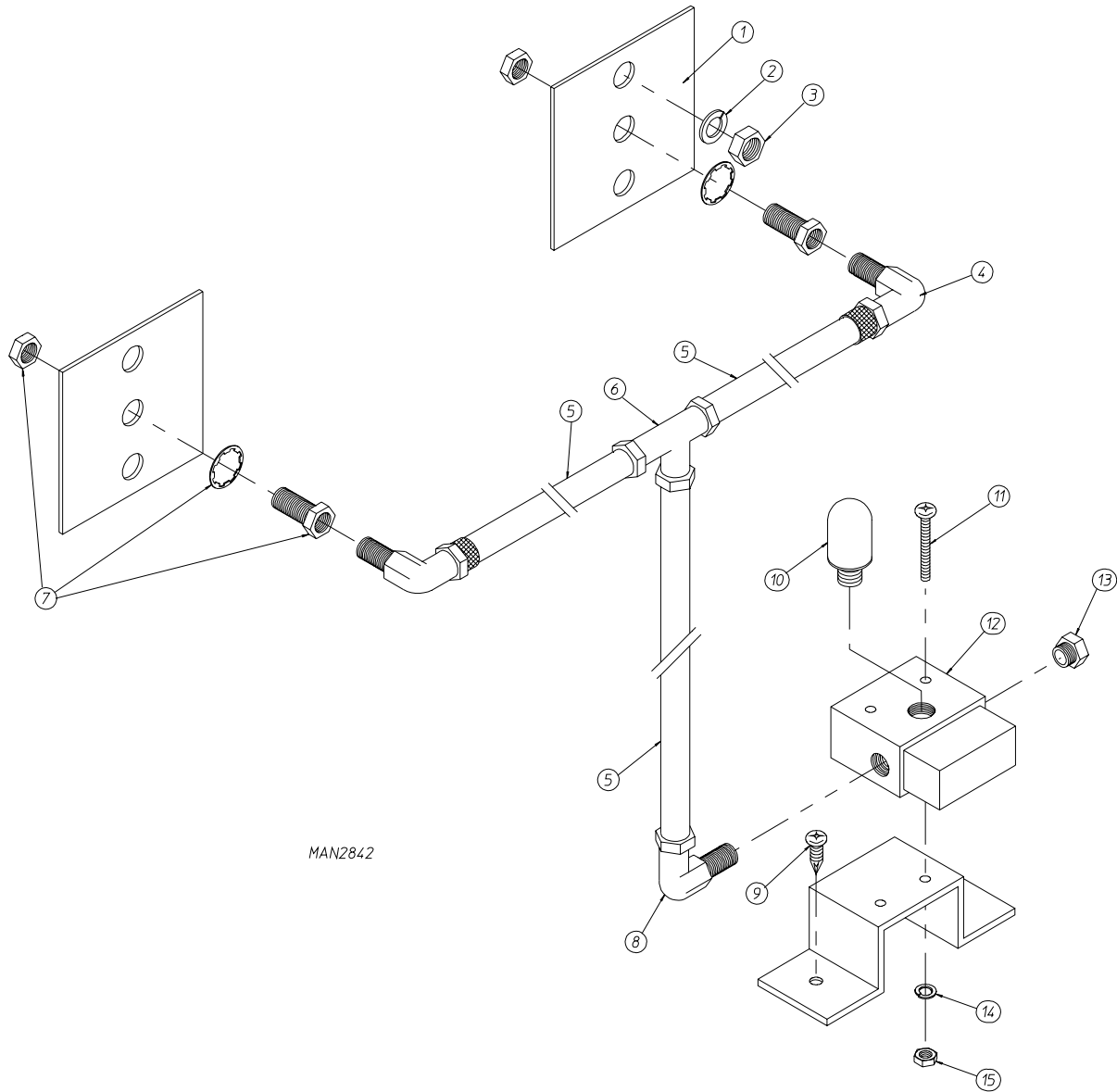


MAN0440

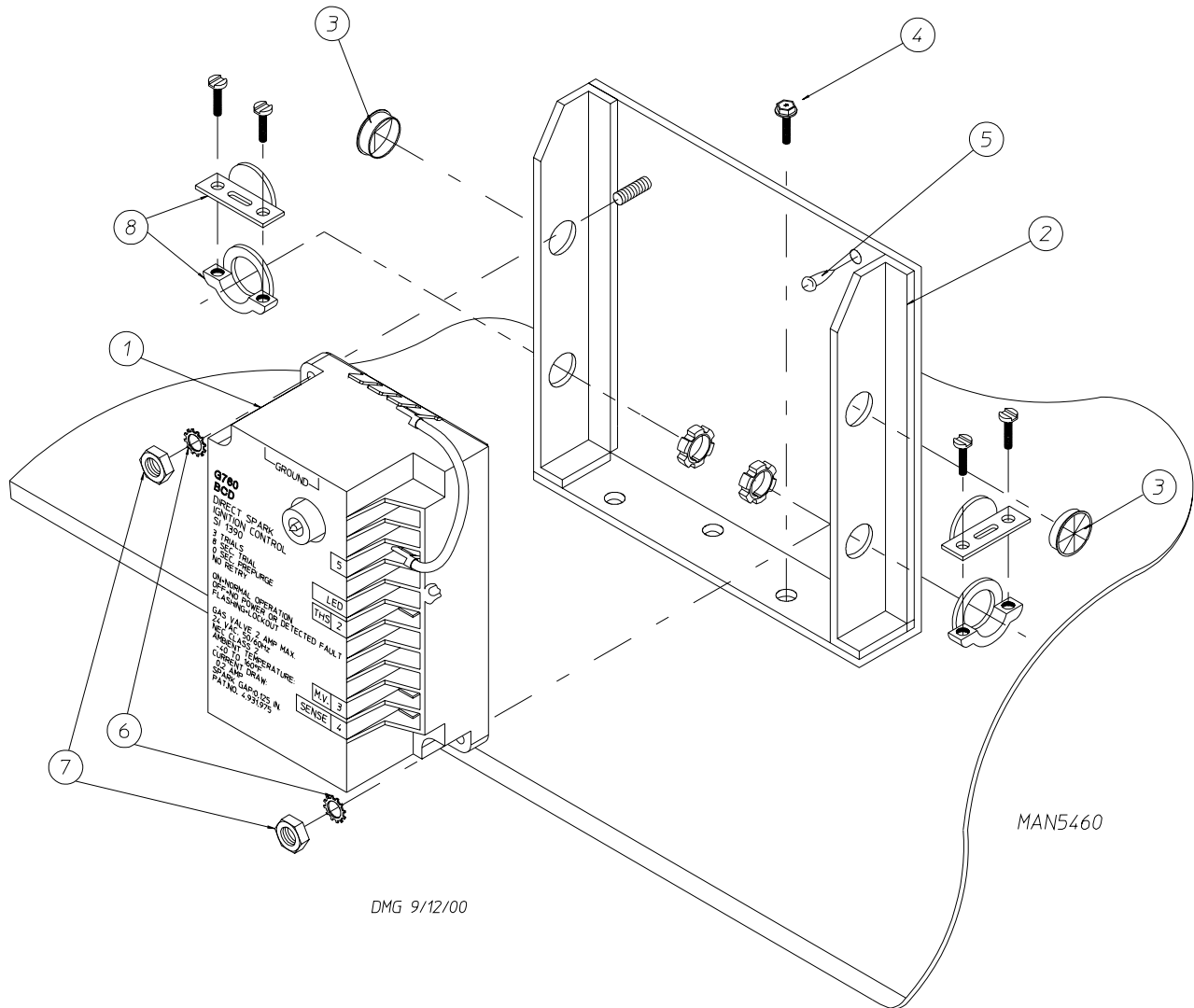
<u>Illus. No.</u>	<u>Part No.</u>	<u>Qty.</u>	<u>Description</u>
1	105500	1	Sail Switch Actuator Rod
2	332689	1	Sail Switch Damper (flat)
3	154002	1	1/8" Push On Fastener
4	802800	1	Sail Switch Box with Cover and Bracket ONLY (includes illus. nos. 4 and 8)
	881376	1	Sail Switch Box Assembly Complete (includes illus. nos. 1 through 4 and 6 through 10)
5	150300	2	#10-16 x 1/2" Hex Washer TEK Screw
6	150303	2	#4 x 3/4" Pan Head "A" Machine Screw
7	122404	1	Sail Switch ONLY
8	802799	1	Sail Switch Box Cover and Bracket ONLY
9	150415	2	#10-16 x 1/2" Phillips Round Head Crimptite Screw
10	154004	1	Twin Speed Nut



<u>Illus. No.</u>	<u>Part No.</u>	<u>Qty.</u>	<u>Description</u>
1	152053	2	3/4-16 Left Hand Jam Nut
2	153071	1	2-3/4" O.D. Fan Washer
3	100661	1	22-1/4" Diameter Blower Wheel
4	100710	1	3/8" x 3/8" x 3" Long Key
5	334445	1	Shaft
6	814005	1	Motor Mount ONLY
7	153004	6	3/8" Flat Washer
8	153005	6	3/8" Split Lock Washer
9	150617	6	3/8-16 x 1" Hex Head Machine Bolt
10	100239	2	1-3/4" Diameter Bearing
11	150606	4	1/2-13 x 2" Hex Head Bolt
12	153026	4	1/2" Lock Washer
13	153011	4	9/16" I.D. Flat Washer
14	116014	1	Felt Seal
15	100710	1	3/8" x 3/8" x 3" Long Key
16	100172	2	BX-66 V-Belt (gas models Only)
	100179	2	BX-75 V-Belt (steam models Only)
17	101165	1	2B 18.4 Pulley
18	101154	1	SK x 1-3/4 Bushing Models
19	101196	1	SDS x 1-5/8 Bushing
20	101202	1	2B 5.2 Pulley (60 Hz gas models Only)
	101185	1	2B 6.2 Pulley (50 Hz gas models Only)
	101175	1	2B 6.8 Pulley (steam models Only)
21	152011	4	1/2-13 Hex Nut
22	153011	4	9/16" I.D. Flat Washer
23	100087	1	15 HP 3600 RPM Motor (gas models Only)
	181006	1	25 HP 3600 RPM Motor (steam models Only)
24	150606	4	1/2-13 x 2" Hex Head Bolt
25	153026	4	1/2" Lock Washer
26	154322	4	3/8-24 x 7/16" Long Setscrew
27	814074	1	Fan Motor Adjustment Angle
28	152011	4	1/2-13 Hex Nut
29	334635	1	Fan Motor Adjustment Block
30	153026	2	1/2" Lock Washer
31	150630	2	1/2-13 x 6" Hex Head Bolt
32	150618	2	1/2-13 x 1" Hex Head Bolt
33	100816	2	1-3/4" Diameter Retaining Clip (for models mfd. prior to November 18, 1996)

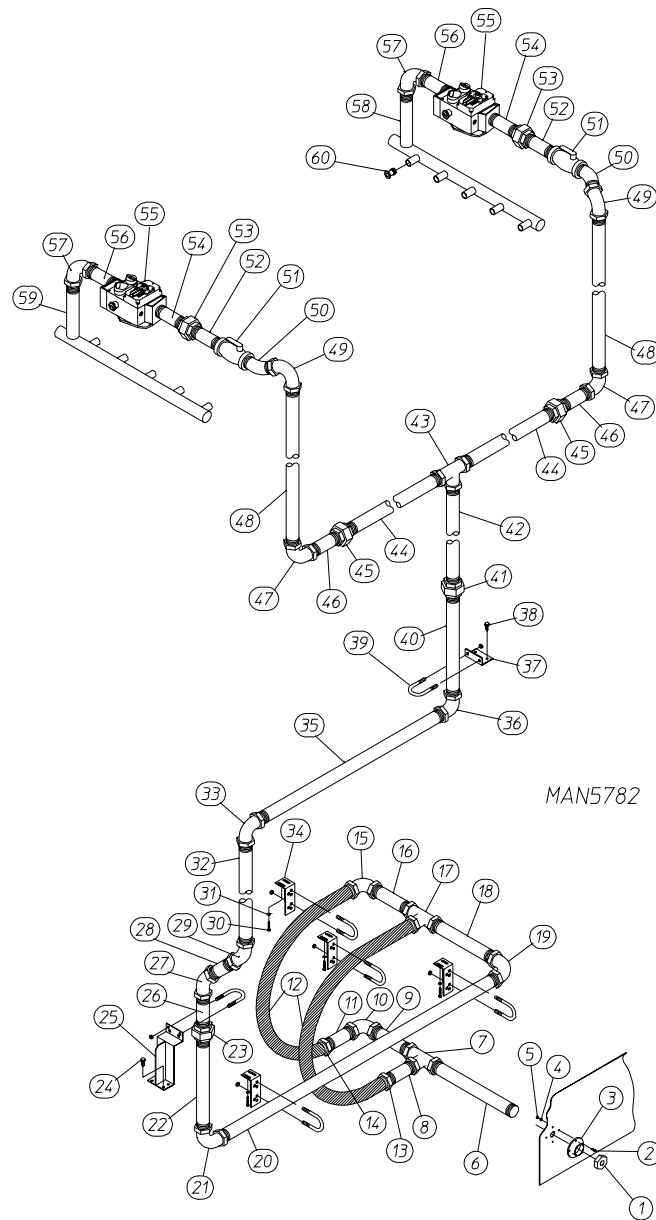


<u>Illus. No.</u>	<u>Part No.</u>	<u>Qty.</u>	<u>Description</u>
1	332531	2	Air Jet Mounting Plate
2	153007	4	1/4" Lock Washer
3	152002	4	1/4-20 Hex Nut
4	143277	2	1/4" x 1/8" M.P.T. 90° Brass Elbow
5	143100	3	1/4" Aluminum Tubing (sold by the foot)
6	143271	1	1/4" Comp. Union Tee
7	143259	2	Bulkhead Fitting, 1/4" Comp. x 1/8" F.P.T.
8	143277	1	1/4" x 1/8" M.P.T. 90° Brass Elbow
9	150309	2	#10-16 x 1/2" Hex Head TEK Crimptite Screw
10	100520	1	1/8" Muffler
11	150002	2	#6-32 x 1" Phillips Round Head Machine Screw
12	100498	1	3-Way Valve 24 VAC
13	100472	1	1/4" Poly x 1/8" M.P.T. Connector
14	153010	2	#6 Star Washer
15	152000	2	#6-32 Hex Nut



DMG 9/12/00

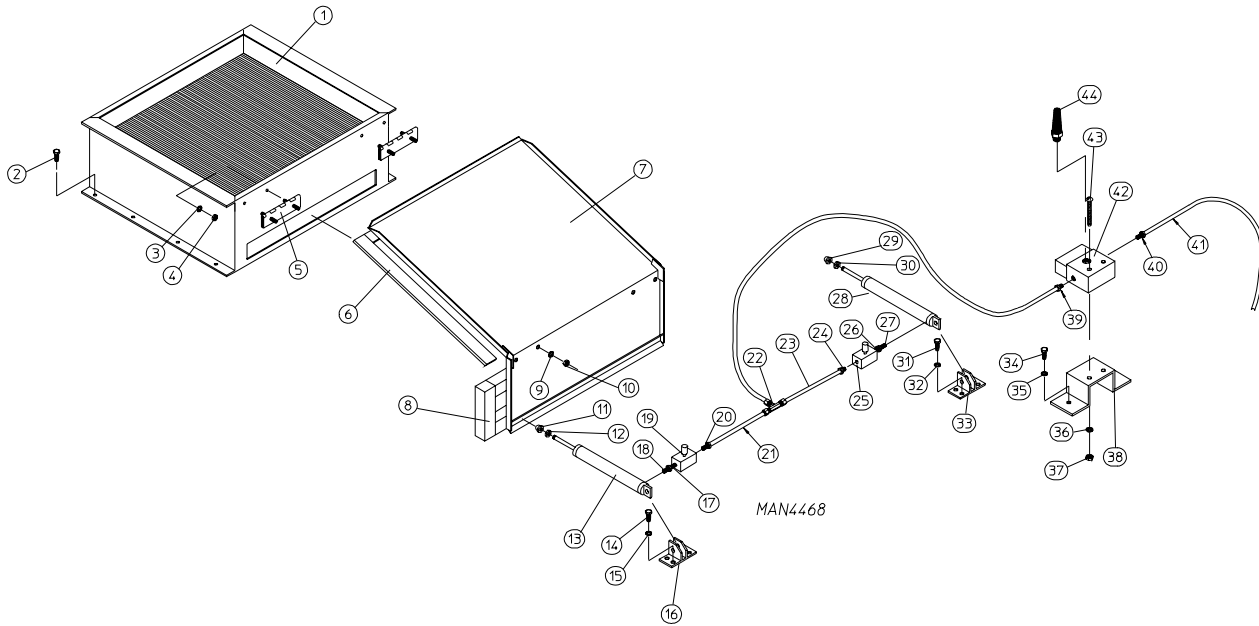
Illus. No.	Part No.	Qty.	Description
1	128935	1	Direct Spark Ignition (DSI) Module ONLY - 50/60 Hz (for models mfd. as of April 1, 2000)
	880815	1	Direct Spark Ignition (DSI) Module ONLY - 50/60 Hz (for models mfd. prior to April 1, 2000)
2	820100	1	Direct Spark Ignition (DSI) Module Mount Assembly ONLY
3	121400	2	Universal Bushing
4	150522	3	1/4-20 x 1/2" Hex Head TEK Screw
5	150301	1	#8-18 x 7/16" Phillips Pan Head TEK Screw
6	153010	4	#6 Star Washer
7	152000	4	#6-32 Hex Nut
8	120102	2	3/8" Straight x 1/2" Knock-Out Connector



DMG 05/07/01

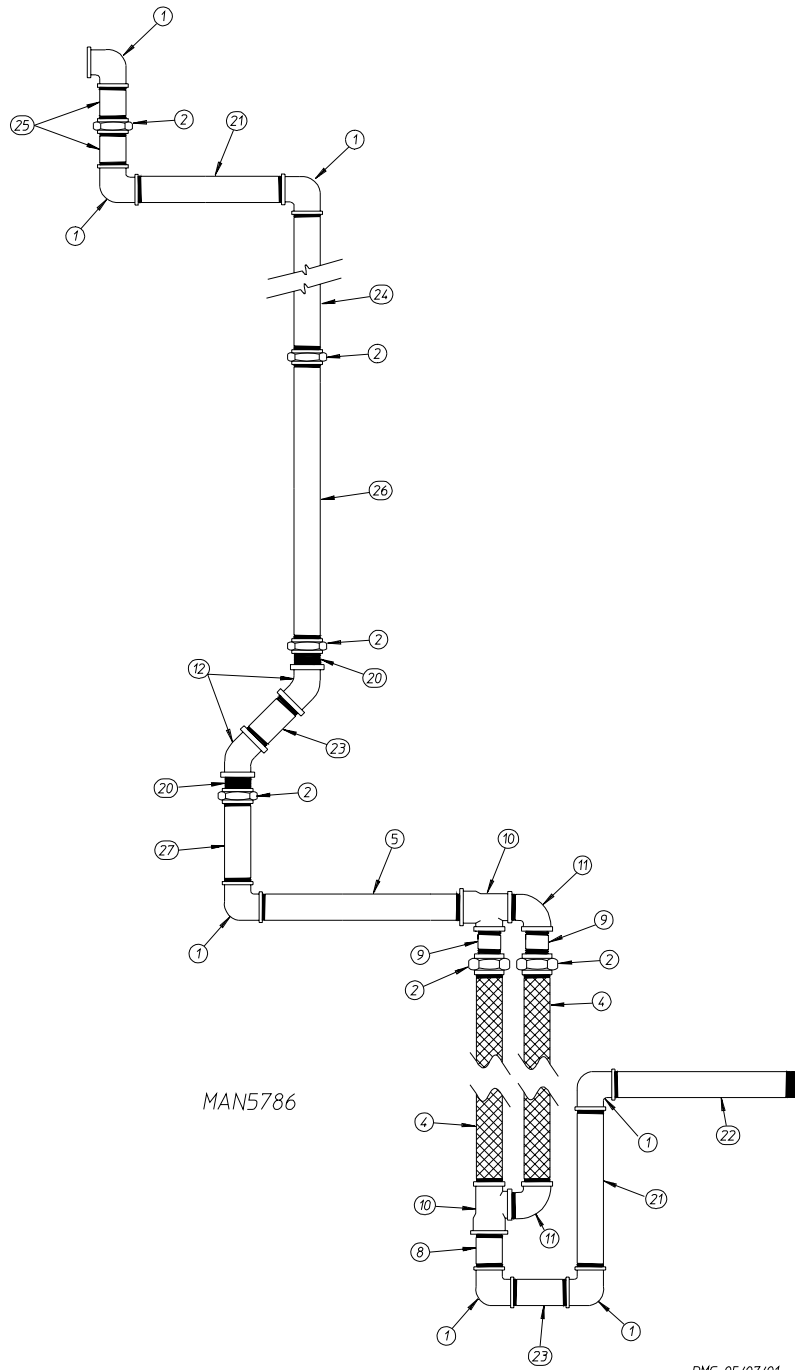
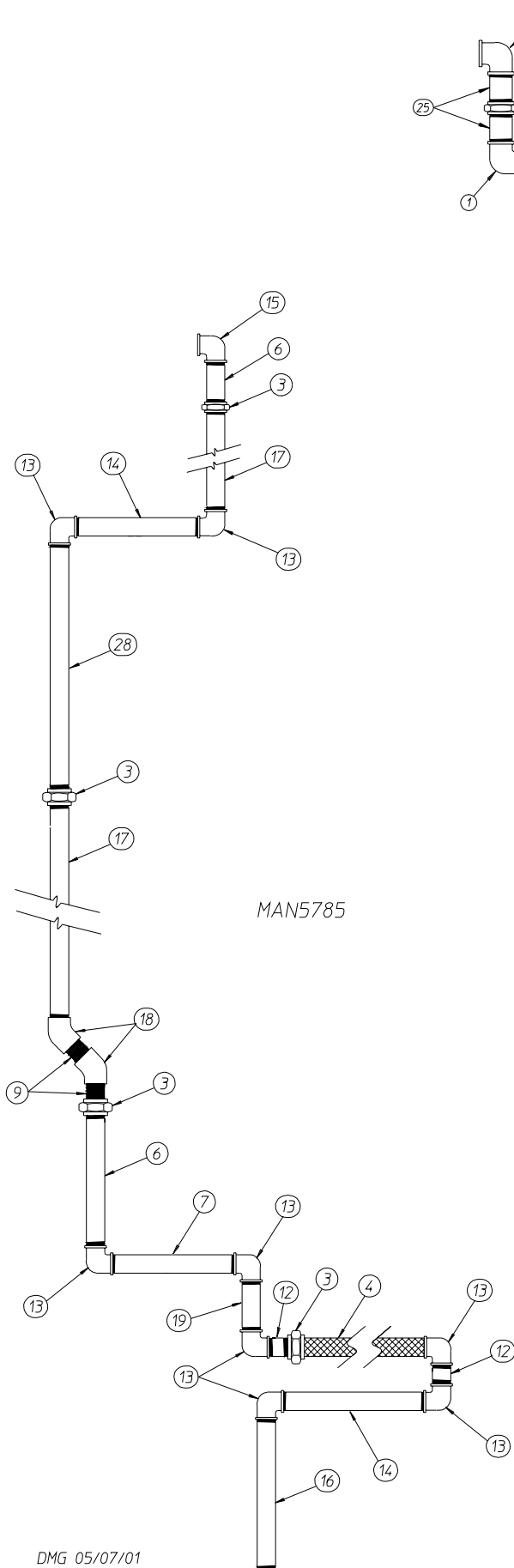
<u>Illus. No.</u>	<u>Part No.</u>	<u>Qty.</u>	<u>Description</u>
1	142931	1	2" x 1-1/2" Double Tapped Bushing
2	150504	4	5/16-18 x 1" Long Hex Nut
3	142514	1	2" Floor Flange
4	153002	4	5/16" Lock Washer
5	152004	4	5/16-18 Hex Nut
6	142569	1	1-1/2" x 18" Long Nipple
7	142611	1	1-1/2" x 1-1/4" x 1-1/4" Tee
8	142725	1	1-1/4" x 2" Long Nipple
9	142725	1	1-1/4" x 2" Long Nipple
10	142554	1	1-1/4" x 90° Elbow
11	142725	1	1-1/4" x 2" Long Nipple
12	141416	2	1-1/4" x 48" Flex Hose
13	142558	1	1-1/4" Union
14	142558	1	1-1/4" Union

<u>Illus. No.</u>	<u>Part No.</u>	<u>Qty.</u>	<u>Description</u>
15	142554	1	1-1/4" x 90° Elbow
16	142725	1	1-1/4" x 2" Black Iron Nipple
17	142611	1	1-1/2" x 1-1/4" x 1-1/4" Tee
18	142573	1	1-1/2" x 10" Long Nipple
19	142512	1	1-1/2" x 90° Elbow
20	142736	1	1-1/2" x 20" Long Nipple
21	142512	1	1-1/2" x 90° Elbow
22	142596	1	1-1/2" x 5" Long Nipple
23	142603	1	1-1/2" Union
24	150522	4	1/4-20 x 1/2" Hex Head TEK Screw
25	814063	1	Lower Sprinkler Bracket
26	142596	1	1-1/2" x 5" Long Nipple
27	142915	1	1-1/2" x 45° Elbow
28	142738	1	1-1/2" x 2" Long Nipple
29	142915	1	1-1/2" x 45° Elbow
30	150510	8	1/4-20 x 3/4" Hex Head Machine Bolt
31	153007	8	1/4" Lock Washer
32	142736	1	1-1/2" x 20" Long Nipple
33	142512	1	1-1/2" x 90° Elbow
34	334602	4	Bottom Gas Pipe Bracket
35	142736	1	1-1/2" x 20" Long Nipple
36	142512	1	1-1/2" x 90° Elbow
37	332828	1	Pipe Bracket
38	150522	2	1/4-20 x 1/2" Hex Head TEK Screw
39	154351	6	1-1/2" Pipe U-Bolt
40	142808	1	1" x 3" Black Iron Nipple
41	142603	1	1-1/2" Union
42	142573	1	1-1/2" x 10" Long Nipple
43	142841	1	1-1/4" x 1-1/4" x 1-1/2" Tee
44	142599	2	1-1/4" x 22" Long Nipple
45	142558	2	1-1/4" Union
46	142725	2	1-1/4" x 2" Black Iron Nipple
47	142554	2	1-1/4" x 90° Elbow
48	142575	2	1-1/4" x 18" Long Nipple
49	142728	2	1" to 1-1/4" Reducing Elbow
50	142844	2	1" x 45° Male Elbow
51	141302	2	1" Shutoff Valve
52	142808	2	1" x 3" Black Iron Nipple
53	142602	2	1" Black Union
54	142711	2	1" Close Nipple
55	140017	2	1" 24V Gas Valve (natural gas)
	140018	2	Liquid Propane (L.P.) Gas Valve Conversion Kit
56	142724	2	1" x 2" Long Nipple
57	142548	2	1" x 90° Elbow
58	141242	1	Rear Manifold, 5-Port
59	141241	1	Front Manifold, 5-Port
60	140840	10	#1 Burner Orifice (natural gas) ONLY
	140821	10	#28 Burner Orifice (liquid propane [L.P.] gas) ONLY
	881425	1	ADG-410 Liquid Propane (L.P.) Conversion Kit

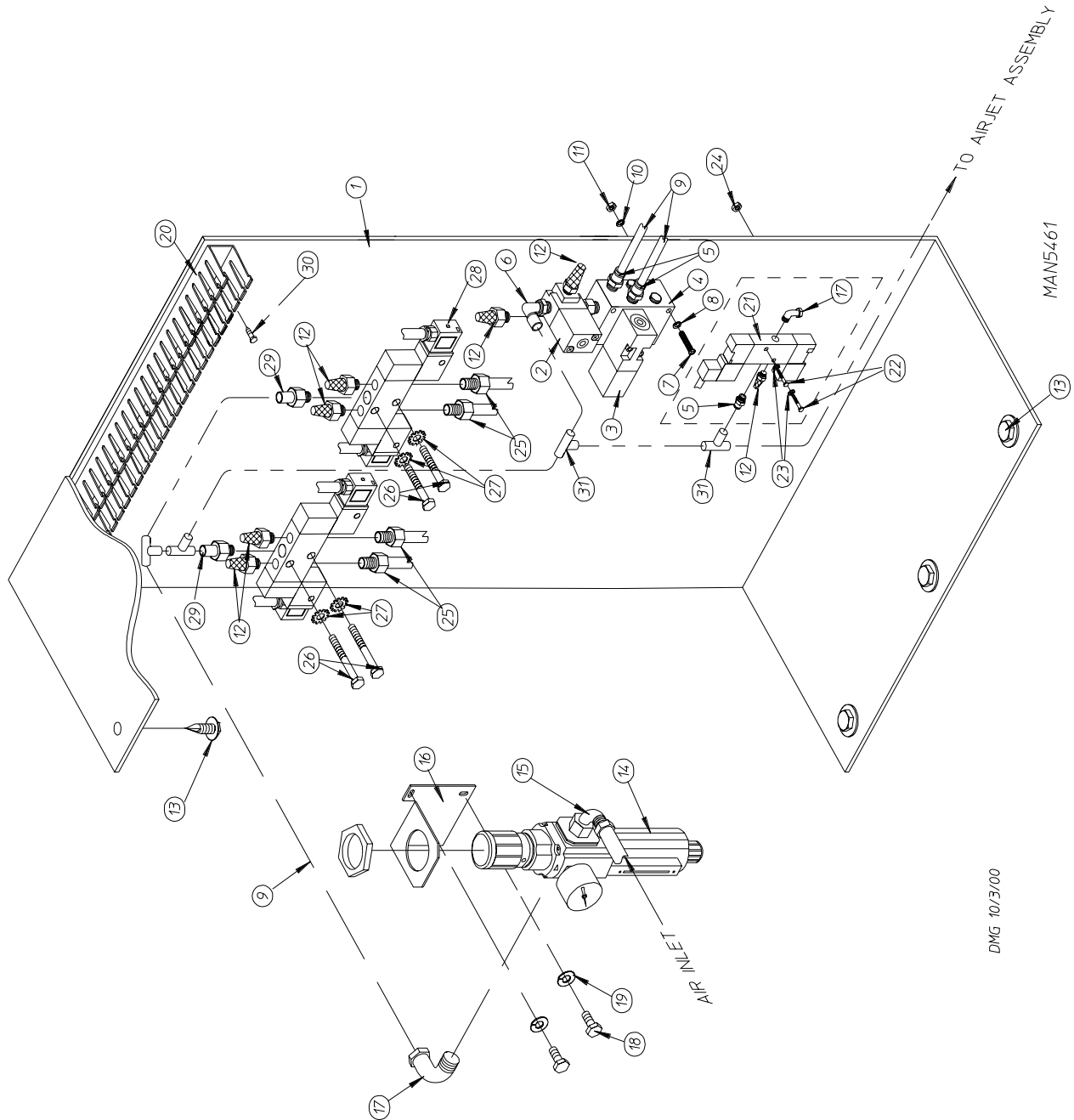


<u>Illus. No.</u>	<u>Part No.</u>	<u>Qty.</u>	<u>Description</u>
1	165034	1	Steam Coil Assembly
2	150523	8	1/4-20 x 3/4" Hex Washer Machine Bolt
3	153007	4	1/4" Lock Washer
4	152002	4	1/4-20 Hex Nut
5	820321	2	Steam Damper Hinge Assembly
6	115995	144	Steam Damper Gasket (sold by the inch)
7	-----	1	Steam Damper Assembly (includes illus. nos. 6 through 8)
8	102350	2	Steam Damper Foam
9	153007	4	1/4" Lock Washer
10	152002	4	1/4-20 Hex Nut
11	151008	1	5/8-18 Stainless Steel Acorn Nut
12	152030	1	5/8-18 Jam Nut
13	100542	1	2" Bore x 4" Stroke Piston
14	150523	4	1/4-20 x 3/4" Hex Washer Machine Bolt (for models mfd. as of January 21, 1999)
	152002	4	1/4-20 Hex Nut...Not Illustrated (for models mfd. prior to January 21, 1999)

<u>Illus. No.</u>	<u>Part No.</u>	<u>Qty.</u>	<u>Description</u>
15	153007	4	1/4" Lock Washer
16	100544	1	Piston Support Bracket with Pivot Pin
17	143238	1	1/8" Brass Close Nipple
18	143264	1	1/4" Poly to 1/8" Brass Reducing Bushing
19	100496	1	1/8" Needle Valve
20	100472	1	1/4" Poly x 1/8" M.P.T. Connector
21	143115	-	1/4" O.D. Nylon-Seal Tubing (sold by the foot)
22	143156	1	1/4" Poly Tee
23	143115	-	1/4" O.D. Nylon-Seal Tubing (sold by the foot)
24	100472	1	1/4" Poly x 1/8" M.P.T. Connector
25	100496	1	1/8" Needle Valve
26	143264	1	1/4" Poly to 1/8" Brass Reducing Bushing
27	143238	1	1/8" Brass Close Nipple
28	100542	1	2" Bore x 4" Stroke Piston
29	151008	1	5/8-18 Stainless Steel Acorn Nut
30	153030	1	5/8-18 Jam Nut
31	150523	4	1/4-20 x 3/4" Hex Washer Machine Bolt
32	153007	2	1/4" Lock Washer
33	100544	1	Piston Support Bracket with Pivot Pin
34	150522	2	1/4-20 x 1/2" Hex Head TEK Screw
35	153007	2	1/4" Lock Washer
36	153010	2	#6 Star Washer
37	152000	2	#6-32 Hex Nut
38	330987	1	Micro Valve Support
39	100472	1	1/4" Poly x 1/8" M.P.T. Connector
40	100472	1	1/4" Poly x 1/8" M.P.T. Connector
41	143115	-	1/4" O.D. Nylon-Seal Tubing (sold by the foot)
42	100498	1	3-Way Valve 24 VAC
43	150002	2	#6-32 x 1" Phillips Round Head Machine Screw
44	100520	1	1/8" N.P.T. Silencer (muffler)



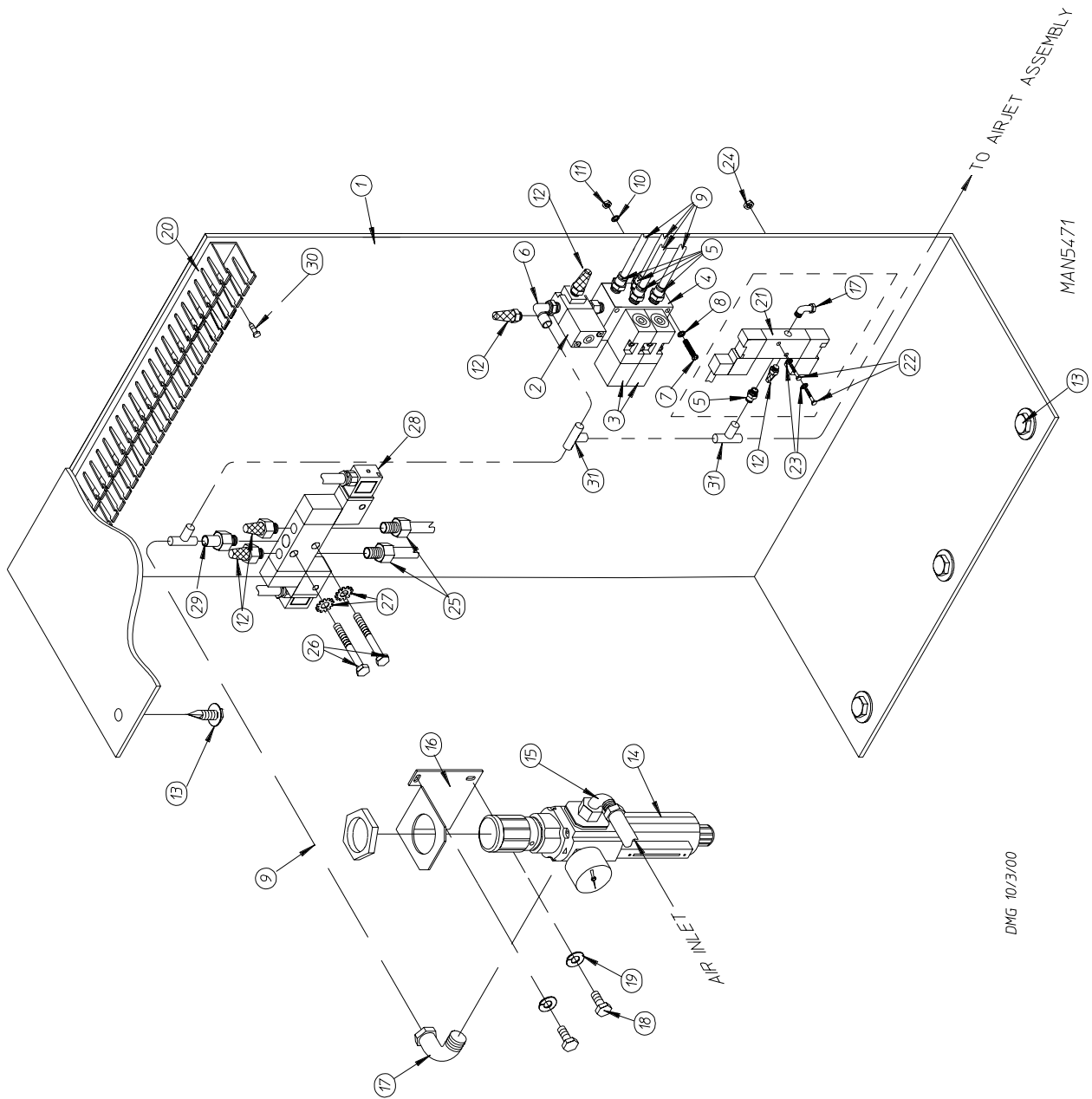
<u>Illus. No.</u>	<u>Part No.</u>	<u>Qty.</u>	<u>Description</u>
1	142541	7	2" Diameter x 90° Elbow Black Iron
2	142542	4	2" Union Black Iron
3	142558	4	1-1/4" Union
4	143126	3	Flex Hose 1-1/4" Diameter
5	142595	1	2" Diameter x 7" Black Iron Nipple
6	142562	2	1-1/4" x 10" Black Iron Nipple
7	142729	1	1-1/4" Diameter x 8" Black Iron Nipple
8	142836	1	2" Diameter x 2-1/2" Black Iron Nipple
9	142713	4	1-1/4" Close Nipple
10	142839	2	2" x 1-1/4" x 1-1/4" Tee
11	142522	2	1-1/4" Street Elbow
12	142550	2	2" 45° Elbow
13	142554	8	1-1/4" 90° Elbow
14	142556	2	1-1/4" Diameter x 12" Black Iron Nipple
15	142900	1	2" x 1-1/4" Reducing Elbow
16	142557	1	1-1/4" Diameter x 11" Black Iron Nipple
17	142610	2	1-1/4" Diameter x 32" Black Iron Nipple
18	142560	2	1-1/4" 45° Elbow
19	142609	1	1-1/4" Diameter x 4-1/2" Black Iron Nipple
20	142517	2	2" Close Nipple
21	142534	2	2" x 12" Black Iron Nipple
22	142553	1	2" x 14" Black Iron Nipple
23	142592	2	2" x 4" Black Iron Nipple
24	142551	1	2" x 32" Black Iron Nipple
25	142552	2	2" x 3" Black Iron Nipple
26	142706	1	2" x 30" Black Iron Nipple
	142991	2'	2" Pipe Insulation (sold by the foot)
27	142705	1	2" x 6" Black Iron Nipple
28	142576	1	1-1/4" x 30" Black Iron Nipple
	142992	2'	1-1/4" Pipe Insulation (sold by the foot)



1 Auto Door/2-Way Tilt w/Optional Sprinkler

<u>Illus. No.</u>	<u>Part No.</u>	<u>Qty.</u>	<u>Description</u>
1	826810	1	Pneumatic Plate ONLY
2	100498	1	3-Way Valve 24 VAC
3	100545	1	MAC Valve 24 VAC
4	100521	1	1 Auto Door Pneumatic Valve Assembly (includes illus. nos. 2 through 5)
5	100472	2	1/4" Poly x 1/8" M.P.T. Connector
6	143149	1	1/4" Poly x 1/8" M.P.T. 90° Elbow
7	150002	2	#6-32 x 1" Phillips Round Head Machine Screw
8	153010	2	#6 Star Washer
9	143115	4'	1/4" O.D. Nylon-Seal Tubing (sold by the foot)
10	153008	2	#6 Lock Washer
11	152000	2	#6-32 Hex Nut
12	100520	7	1/8" Muffler (silencer)
13	150522	6	1/4-20 x 1/2" Hex Head TEK Screw
14	100440	1	Filter Regulator with Gauge
15	143213	1	3/8" Poly x 3/8" Elbow Brass
16	333392	1	Filter/Regulator Mounting Bracket
17	143153	1	1/4" Poly x 1/4" Male N.P.T. 90° Elbow
18	151001	2	#8-32 Pal Nut
19	153007	2	1/4" Lock Washer
20	121429	14"	1" x 2" Wiring Duct (sold by the inch)
21	100522	1	Double Acting Sprinkler Solenoid Valve 120 VAC
22	150008	2	#6-32 x 1-1/4" Phillips Pan Head Machine Screw
23	153010	2	#6 Star Washer
24	152000	2	#6-32 Hex Nut
25	143166	4	1/4" M.P.T. x 3/8" Poly Connector
26	150109	4	#8-32 x 2" Screw
27	153012	4	#8 Star Washer
28	100528	2	Tilting Solenoid 24 VAC 5-Port, 3-Position
29	143165	2	1/4" M.P.T. x 1/4" Tube Connector
30	150309	5	#10-16 x 1/2" Hex Head TEK Crimptite Screw
31	143115	4'	1/4" O.D. Nylon-Seal Tubing (sold by the foot)

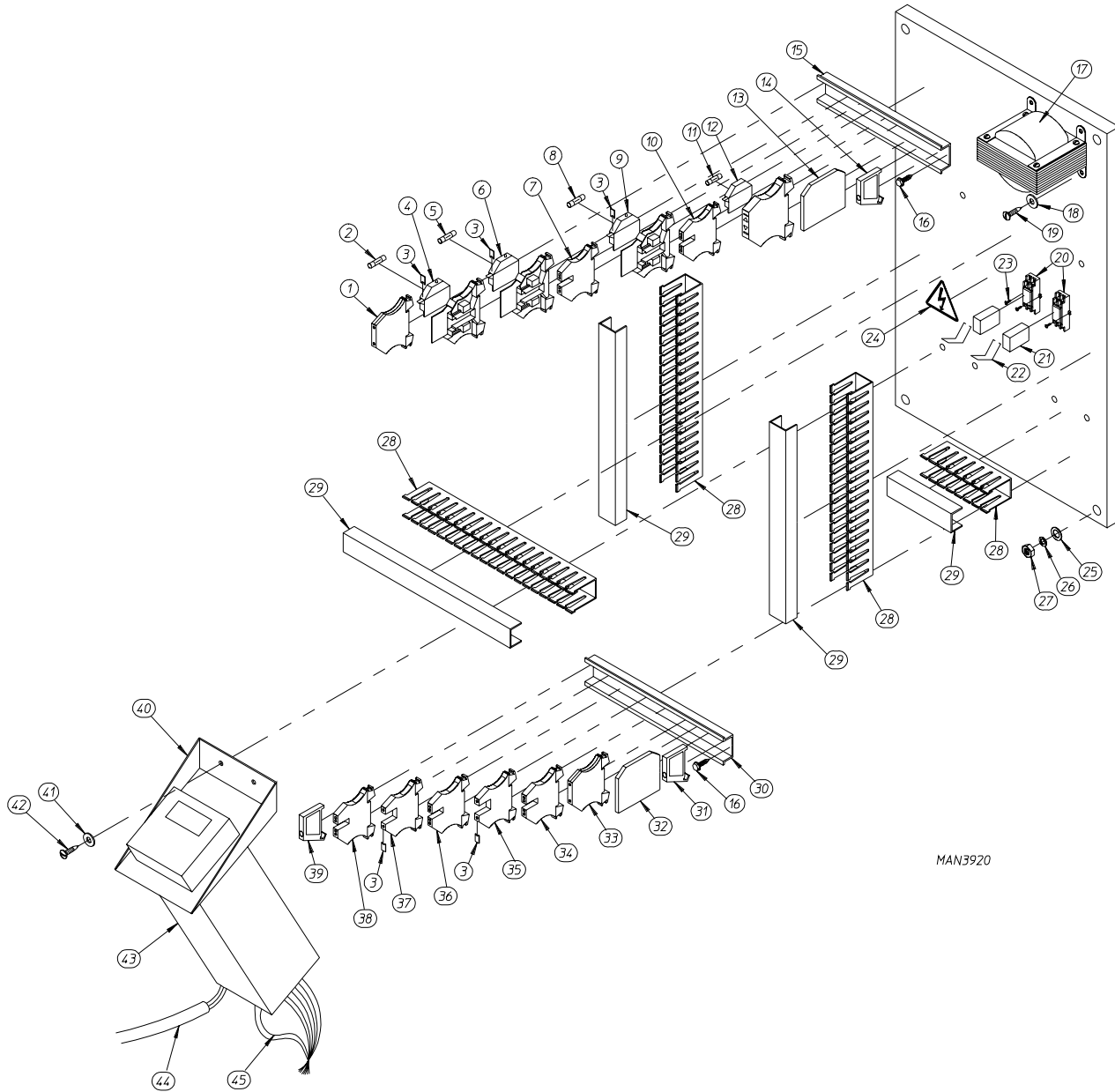
2 Auto Doors/1-Way Tilt w/Optional Sprinkler



2 Auto Doors/1-Way Tilt w/Optional Sprinkler

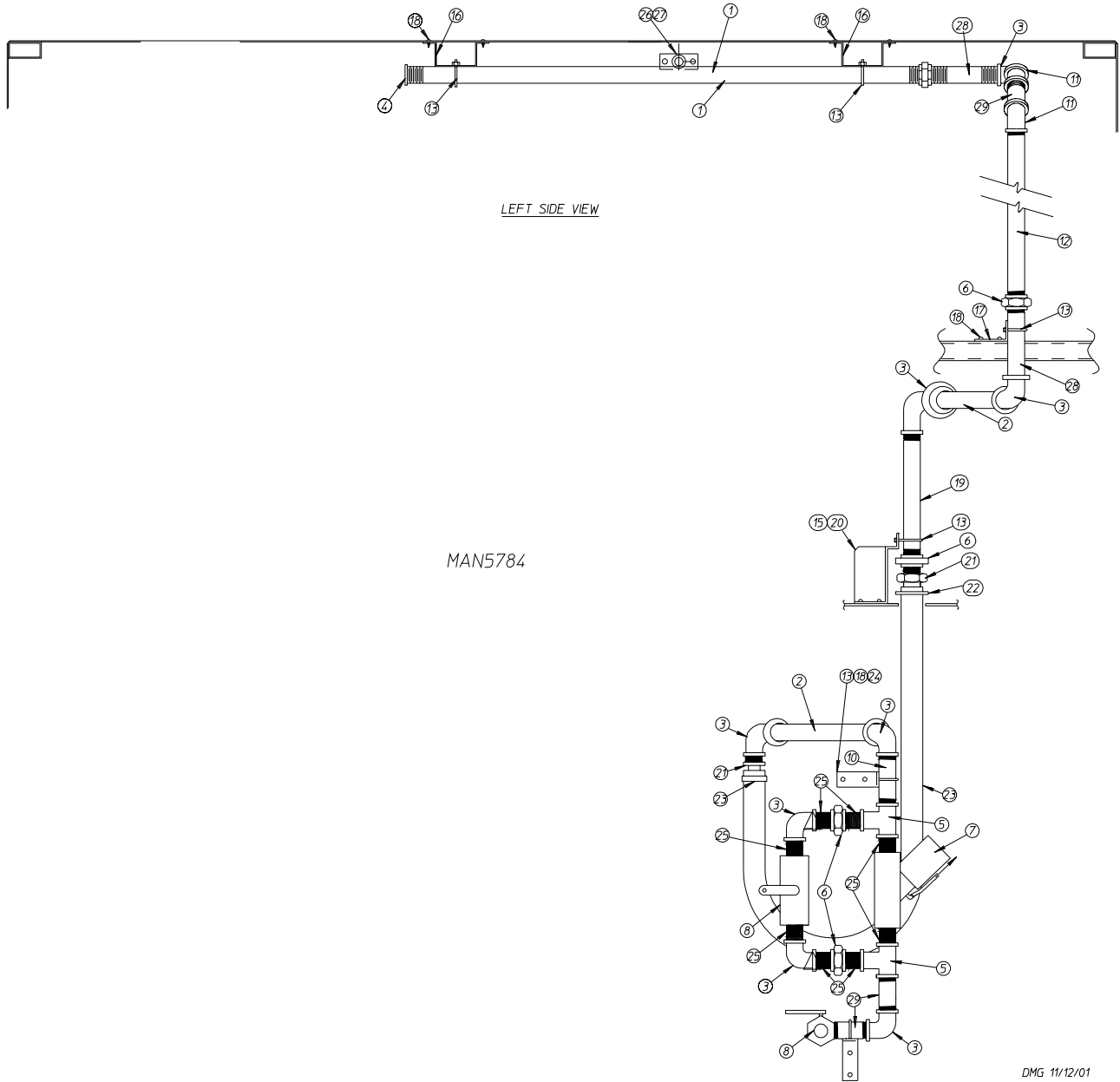
<u>Illus. No.</u>	<u>Part No.</u>	<u>Qty.</u>	<u>Description</u>
1	826810	1	Pneumatic Plate ONLY
2	100498	1	3-Way Valve 24 VAC
3	100545	2	MAC Valve 24 VAC
4	803402	1	2 Auto Doors Pneumatic Valve Assembly (includes illus. nos. 2 through 5)
5	100472	2	1/4" Poly x 1/8" M.P.T. Connector
6	143149	1	1/4" Poly x 1/8" M.P.T. 90° Elbow
7	150002	2	#6-32 x 1" Phillips Round Head Machine Screw
8	153010	2	#6 Star Washer
9	143115	*	1/4" O.D. Nylon-Seal Tubing (sold by the foot)
10	153008	2	#6 Lock Washer
11	152000	2	#6-32 Hex Nut
12	100520	7	1/8" Muffler (silencer)
13	150522	6	1/4-20 x 1/2" Hex Head TEK Screw
14	100440	1	Filter Regulator with Gauge
15	143213	1	3/8" Poly x 3/8" Elbow Brass
16	333392	1	Filter/Regulator Mounting Bracket
17	143153	1	1/4" Poly x 1/4" Male N.P.T. 90° Elbow
18	151001	2	#8-32 Pal Nut
19	153007	2	1/4" Lock Washer
20	121429	14"	1" x 2" Wiring Duct (sold by the inch)
21	100522	1	Double Acting Sprinkler Solenoid Valve 120 VAC
22	150008	2	#6-32 x 1-1/4" Phillips Pan Head Machine Screw
23	153010	2	#6 Star Washer
24	152000	2	#6-32 Hex Nut
25	143166	2	1/4" M.P.T. x 3/8" Poly Connector
26	150109	4	#8-32 x 2" Screw
27	153012	4	#8 Star Washer
28	100528	1	Tilting Solenoid 24 VAC, 5-Port, 3-Position
29	143165	2	1/4" M.P.T. x 1/4" Tube Connector
30	150309	5	#10-16 x 1/2" Hex Head TEK Crimptite Screw
31	143115	4	1/4" O.D. Nylon-Seal Tubing (sold by the foot)

* As required.



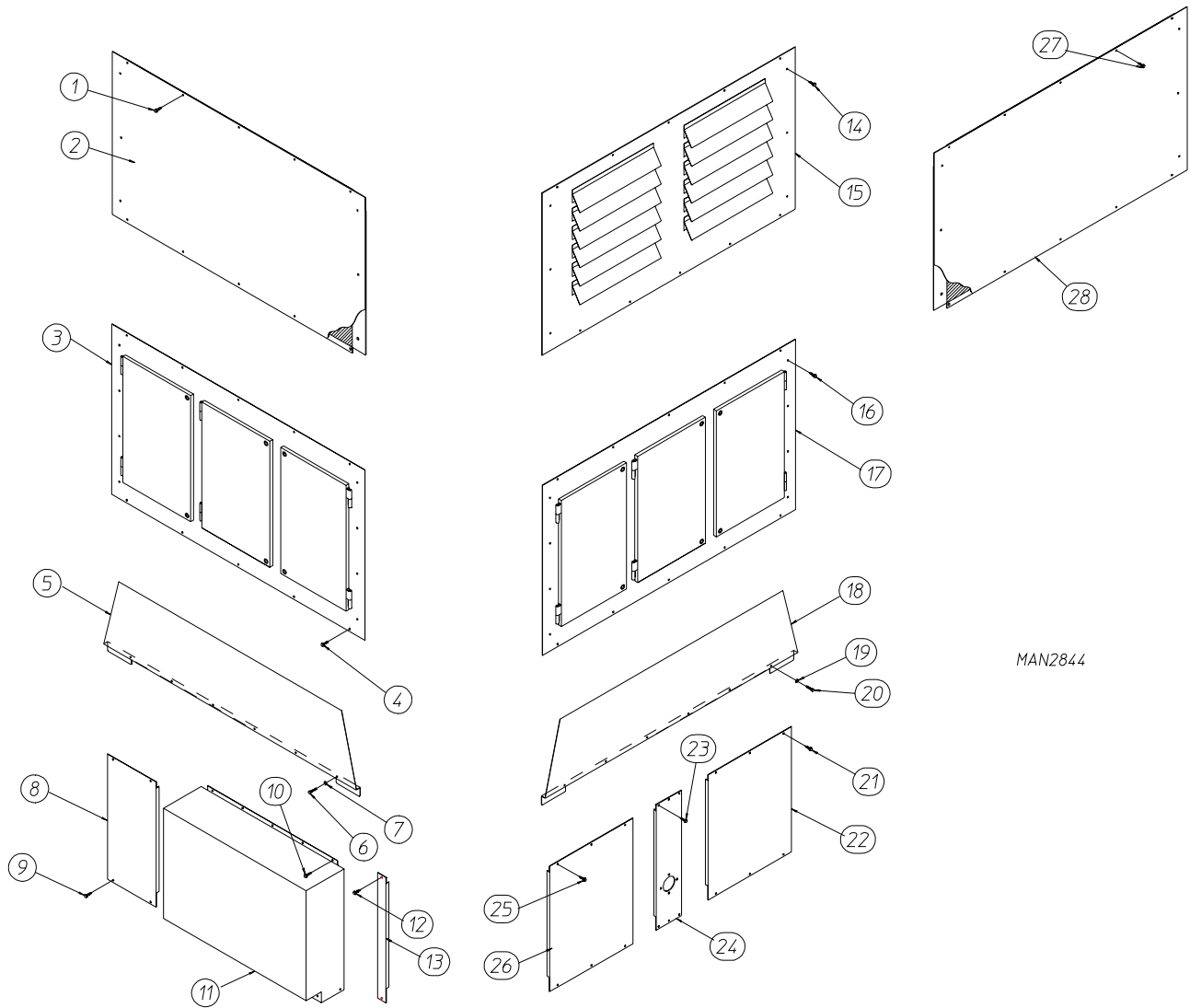
<u>Illus. No.</u>	<u>Part No.</u>	<u>Qty.</u>	<u>Description</u>
1	120750	1	Ground Terminal Block
2	136050	1	1-Amp (slo-blo) Fuse 208/240v ONLY
	136057	1	1/2-Amp (slo-blo) Fuse 380-460v ONLY
3	120999	5	Blank Marking Tag
4	120756	1	1/4" Fuse Terminal Block with Light Emitting Diode (L.E.D.)
5	136050	1	1-Amp (slo-blo) Fuse 208/240v ONLY
	136057	1	1/2-Amp (slo-blo) Fuse 380-460v ONLY
6	120756	1	1/4" Fuse Terminal Block with Light Emitting Diode (L.E.D.)
7	120761	2	4-Position Feed Thru Terminal Block
8	136033	1	3-Amp Fuse
9	120756	1	1/4" Fuse Terminal Block with Light Emitting Diode (L.E.D.)
10	120761	2	4-Position Feed Thru Terminal Block

<u>Illus. No.</u>	<u>Part No.</u>	<u>Qty.</u>	<u>Description</u>
11	136039	1	1/4-Amp 5 x 20mm Fuse
12	120754	1	5 x 20mm Fuse Terminal Block with Light Emitting Diode (L.E.D.)
13	120766	1	End Section
14	120765	1	Standard End Stop
15	120768	6	35 x 15mm Din Mounting Rail
16	150300	6	#10-16 x 1/2" Hex Washer TEK Screw
17	132091	1	208/240v to 120v Transformer
	132092	1	380/400v to 120v Transformer
	132006	1	416v to 120v Transformer
	132078	1	480v to 120v Transformer
18	153000	4	#8 Flat Washer
19	150108	4	#8-32 x 1/2" Slotted Head Machine Screw
20	131408	2	Double-Pole-Double-Throw (DPDT) Socket
21	131405	2	Double-Pole-Double-Throw (DPDT) Relay
22	131409	2	Hold Down Wires For P/N: 131405
23	150103	3	#8-32 x 3/4" Slotted Head Machine Screw
24	122424	1	Power Warning Label
25	153004	4	3/8" Flat Washer
26	153005	4	3/8" Split Lock Washer
27	152005	4	3/8-16 Hex Nut
28	121429	36	1" x 2" Wiring Duct (sold by the inch)
29	121422	36	1" Wireway Cover (sold by the inch)
30	120768	6	35 x 15mm Din Mounting Rail
31	120765	1	Standard End Stop
32	120766	1	End Section
33	120750	1	Ground Terminal Block
34	120761	1	4-Position Feed Thru Terminal Block
35	120758	2	Feed Thru Terminal Block
36	120761	1	4-Position Feed Thru Terminal Block
37	120758	5	Feed Thru Terminal Block
38	120761	2	4-Position Feed Thru Terminal Block
39	120765	1	Standard End Stop
40	333002	1	Temperature Controller Mounting Bracket
41	153000	2	#8 Flat Washer
42	150108	2	#8-32 x 1/2" Slotted Head Machine Screw
43	881249	1	200-410 C°/F° Sprinkler Controller
44	881251		Sprinkler Temperature Controller Harness
45	881250		Sprinkler Temperature Power Controller Harness



<u>Illus. No.</u>	<u>Part No.</u>	<u>Qty.</u>	<u>Description</u>
1	142621	1	1" Pipe with Holes
2	142579	2	1" x 6" Black Iron Nipple
3	142548	8	1" x 90° Elbow
4	142591	1	1" Pipe Cap
5	142508	2	1" Tee
6	142602	5	1" Black Union
7	100565	1	Air Oper Sprinkler Valve
8	143556	2	1" Ball Valve
9*			
10	142808	4	1" x 3" Black Iron Nipple
11	142590	2	1" x 45° Elbow
12	142746	1	1" x 24" Black Iron Nipple
13	154350	6	1" Pipe U-Bolt
14	142585	1	1" x 18" Black Iron Nipple
15	150309	1	#10-16 x 1/2" Hex Head TEK Crimptite Screw
16	334610	2	Inner Sprinkler Pipe Bracket
17	334255	1	1" Pipe Bracket
18	150522	18	1/4-20 x 1/2" Hex Head TEK Screw
19	142587	1	1" x 27-1/2 Black Iron Nipple
20	814063	1	Lower Sprinkler Bracket
21	143136	2	1" Hose Nipple
22	143137	2	Hose Clamp
23	143135	1	4' Long Flex Hose
24	331794	2	Inlet Pipe Bracket
25	142711	10	1" Close Nipple
26	142499	1	1/4" Mounting Flange
27	150523	2	1/4-20 x 3/4" Hex Washer Machine Bolt
28	142589	2	1" x 10" Black Iron Nipple
29	142584	3	1" x 4-1/2" Black Nipple

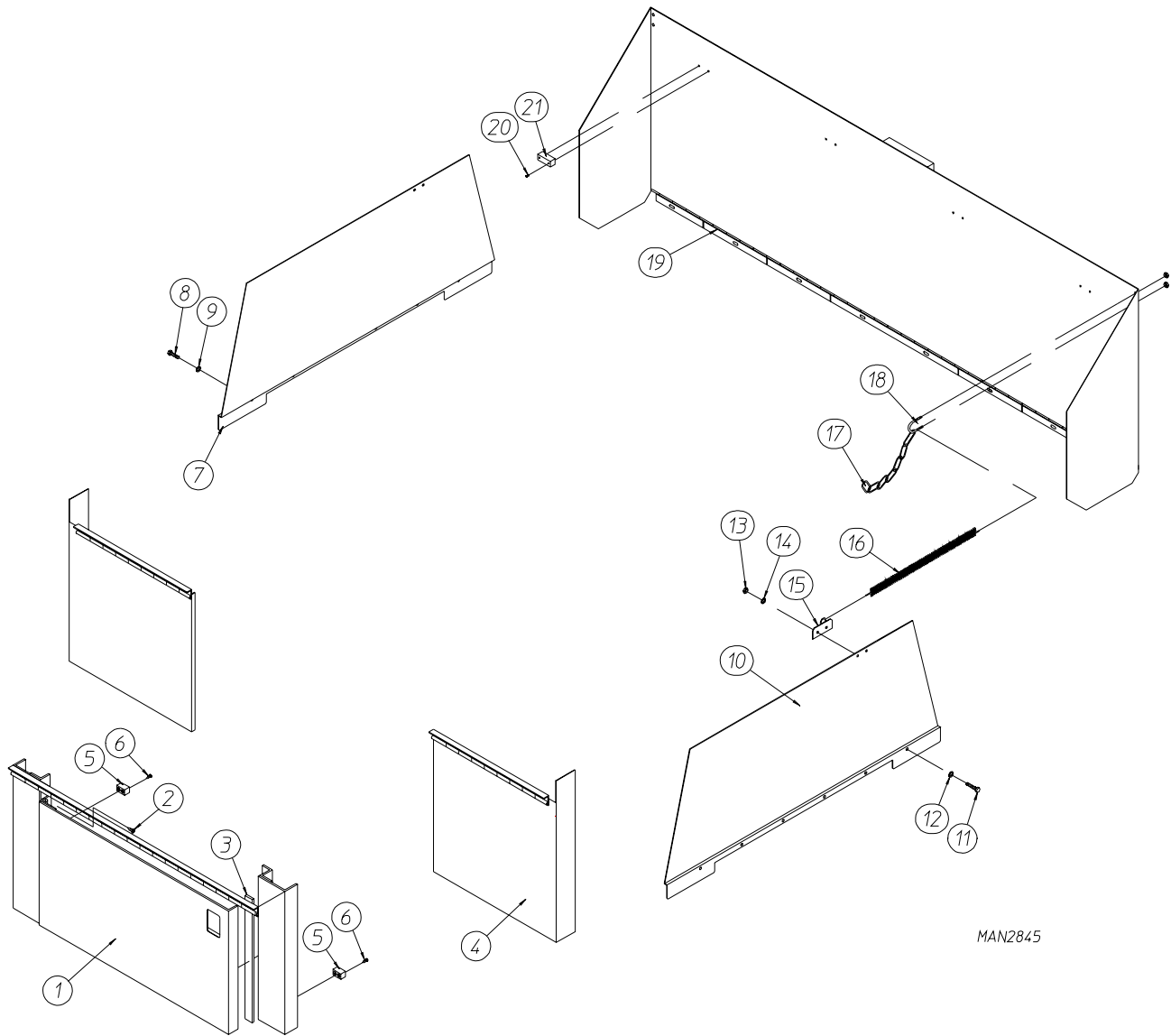
* Not Illustrated



MAN2844

<u>Illus. No.</u>	<u>Part No.</u>	<u>Qty.</u>	<u>Description</u>
1	150522	16	1/4-20 x 1/2" Hex Head TEK Screw
2*	814032	1	Top Left Panel
3*	814033	1	Bottom Hinged Door Assembly
4	150522	18	1/4-20 x 1/2" Hex Head TEK Screw
5*	334538	1	Side Shield Assembly
6	150512	6	1/4-20 x 1/2" Long Hex Head Bolt
7	153007	6	1/4" Lock Washer
8*	334600	1	Left Side Rear Base Panel
9	150522	4	1/4-20 x 1/2" Hex Head TEK Screw
10	150522	10	1/4-20 x 1/2" Hex Head TEK Screw
11*	814088	1	Left Base Panel Assembly
12	150522	2	1/4-20 x 1/2" Hex Head TEK Screw
13*	334601	1	Left Side Front Base Panel
14	150522	16	1/4-20 x 1/2" Hex Head TEK Screw
15*	814031	1	Top Right Panel Assembly
16	150522	18	1/4-20 x 1/2" Hex Head TEK Screw
17*	814033	1	Bottom Hinged Door Assembly
18*	334538	1	Side Shield Assembly
19	153007	6	1/4" Lock Washer
20	150512	6	1/4-20 x 1/2" Long Hex Head Bolt
21	150522	6	1/4-20 x 1/2" Hex Head TEK Screw
22*	334544	1	Right Side Base Panel
23	150522	6	1/4-20 x 1/2" Hex Head TEK Screw
24*	334545	1	Gas Inlet Base Panel
25	150522	6	1/4-20 x 1/2" Hex Head TEK Screw
26*	334544	1	Right Side Base Panel
27	150522	16	1/4-20 x 1/2" Hex Head TEK Screw
28	814031	1	Top Right Panel Assembly

* Specify color when ordering.

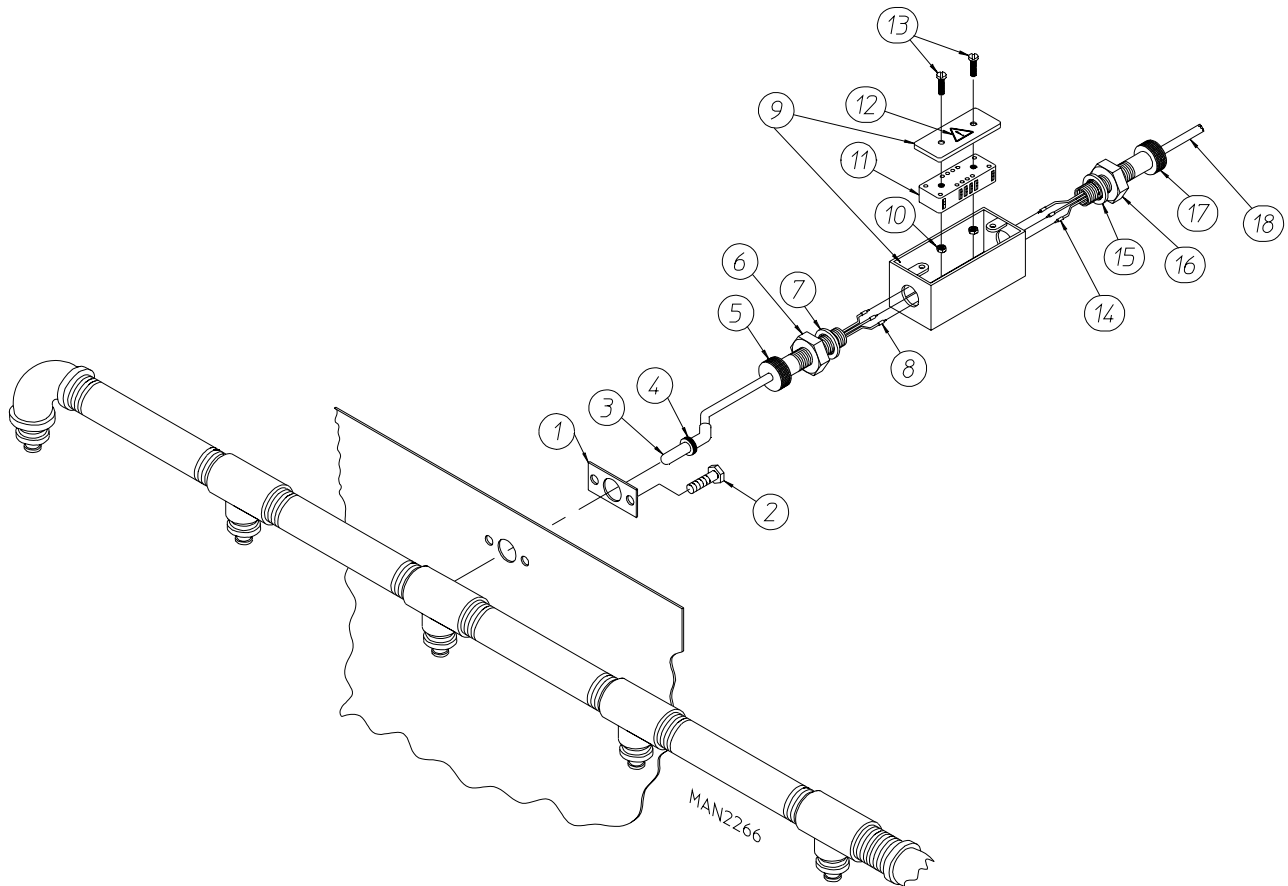


MAN2845

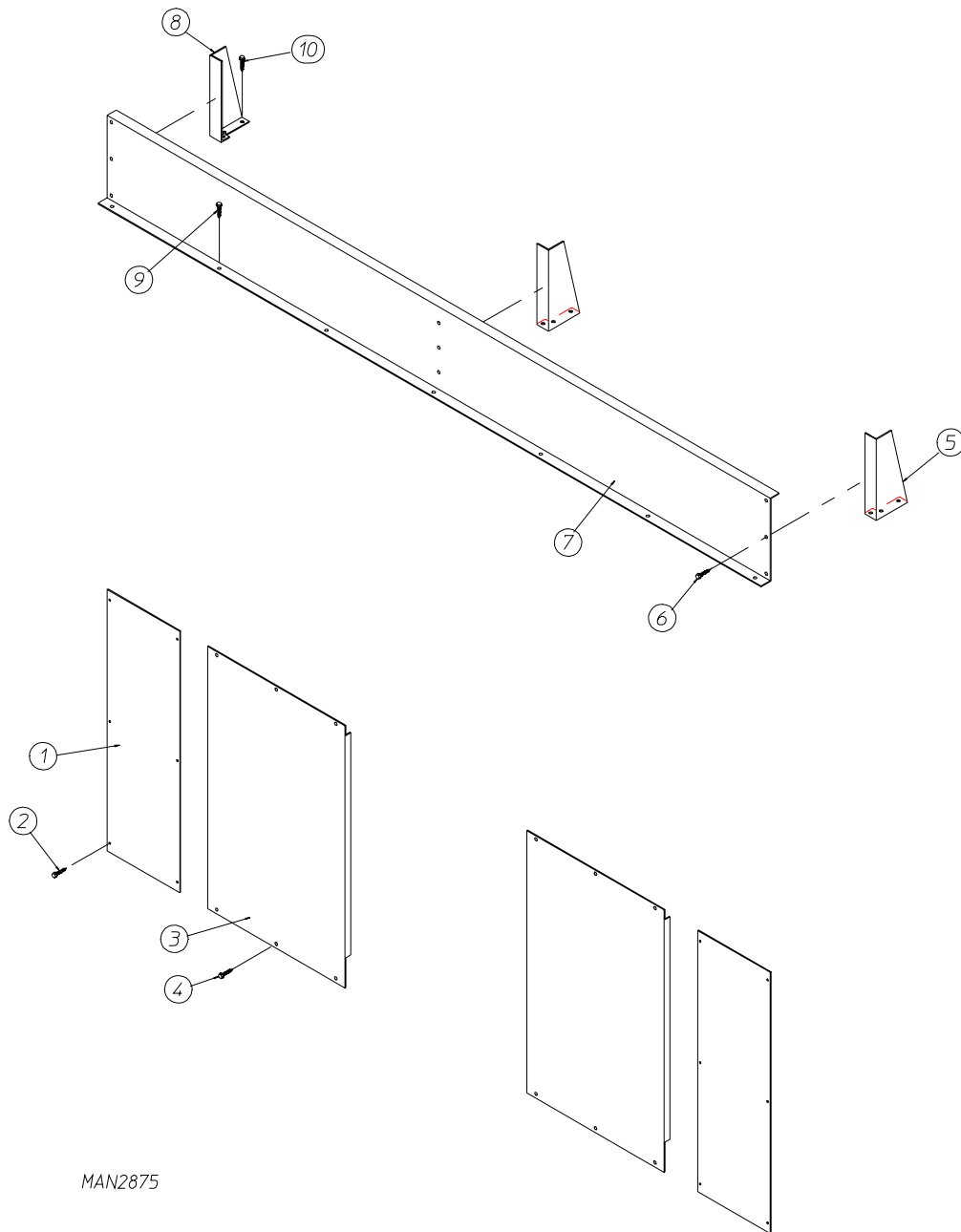
2-Way Tilt

<u>Illus. No.</u>	<u>Part No.</u>	<u>Qty.</u>	<u>Description</u>
1*	881396	1	Front Guard Door ONLY
2	150300	4	#10-16 x 1/2" Hex Washer TEK Screw
3	170607	1	Door Magnet
4*	881397	1	Front Guard Assembly Complete (includes illus. nos. 1 through 6)
5	170348	2	Front Tilt Guard Glide
6	150412	4	#10-16 x 3/4" Phillips Crimptite Screw
7*	334538	1	Side Shield Assembly
8	150512	6	1/4-20 x 1/2" Long Hex Head Bolt
9	153007	6	1/4" Lock Washer
10*	334538	1	Side Shield Assembly
11	150512	6	1/4-20 x 1/2" Long Hex Head Bolt
12	153007	6	1/4" Lock Washer
13	151004	4	1/4-20 Hex Nut
14	153007	6	1/4" Lock Washer
15	821628	2	Spring Catch
16	157014	2	Spring #125
17	108121	2	15" Long Chain
18	154354	2	3/4" Pipe U-Bolt
19*	881398	1	Rear Guard Assembly Complete (includes illus. nos. 13 through 21)
20	150412	8	#10-16 x 3/4" Phillips Crimptite Screw
21	170345	4	Rear Tilt Nylon Glide

* Specify color when ordering.



<u>Illus. No.</u>	<u>Part No.</u>	<u>Qty.</u>	<u>Description</u>
1	331877	1	Temperature Sensor Mounting Plate
2	150523	2	1/4-20 x 3/4" Hex Washer Machine Bolt
3	881227	1	Resistive Temperature Device (RTD) Sprinkler Temperature Probe Assembly (includes illus. nos. 3, 4, and 8)
4	143296	1	1/4" Compression Fitting
5	120652	1	1/2" N.P.T. Cord Grip (red)
6	120915	1	1/2" N.P.T. Locknut
7	120914	1	1/2" Metal "O" Ring
8	122736	3	Yellow Ferrule
9	881228	1	Sprinkler Temperature Probe Box Assembly (includes illus. nos. 9 and 12)
10	152000	2	#6-32 Hex Nut
11	120703	1	6-Position Terminal Block
12	122427	1	"!" Caution Label
13	150008	2	#6-32 x 1-1/4" Phillips Pan Head Machine Screw
14	122736	3	Yellow Ferrule
15	120914	1	1/2" Metal "O" Ring
16	120915	1	1/2" N.P.T. Locknut
17	120650	1	1/2" N.P.T. Cord Grip (white)
18	881229	1	Sprinkler Temperature Probe Harness



MAN2875

<u>Illus. No.</u>	<u>Part No.</u>	<u>Qty.</u>	<u>Description</u>
1*	334542	2	Piston Cover
2	150415	12	#10-16 x 1/2" Phillips Round Head Crimptite Screw
3*	334671	2	Right Front Base Panel
4	150522	12	1/4-20 x 1/2" Hex Head TEK Screw
5	332681	2	Right Gusset For Top Front Panel
6	150522	9	1/4-20 x 1/2" Hex Head TEK Screw
7*	334546	1	Top Front Panel
8*	332680	1	Left Gusset For Top Front Panel
9	150522	7	1/4-20 x 1/2" Hex Head TEK Screw
10	150522	9	1/4-20 x 1/2" Hex Head TEK Screw

* Specify color when ordering.

Selector Switch, Nameplate, and Mounting Base Chart

	Models with 2-Way Tilt Manual/Automatic Doors	Models with Forward Tilt and Manual Doors	Models with Forward Tilt and Automatic Doors	Models with Rear Tilt Manual/Automatic Doors
Illus. No. 13 Selector Switch	ADC Part No. 122348 3-Position Cam Selector Switch	ADC Part No. 122360 2-Position Switch	ADC Part No. 122348 3-Position Cam Selector Switch	ADC Part No. 122348 3-Position Cam Selector Switch
Illus. No. 14 Nameplate	ADC Part No. 122412 "Load-Dry-Unload"	ADC Part No. 122422 Unload "0-1"	ADC Part No. 122412 "Load-Dry-Unload"	ADC Part No. 122435 Load "Level-Off-Tilted"
Illus. No. 37 and Illus. No. 38 Mounting Base	Included with Selector Switch	ADC Part No. 132397 NO-NC Contact Block with Base	Included with Selector Switch	Included with Selector Switch

CONTROL PANEL FOR REAR RIGHT CONTROL DOOR

CHART FOR ITEM# 2	
MACHINE TYPE	SUB NEEDED
2 MANUAL DOOR, NON TILT	848449
2 MANUAL DOOR, FORWARD TILT	848448
2 MANUAL DOOR, REAR TILT	848448
2 MANUAL DOOR, 2 WAY TILT	848448
2 AUTO DOOR, NON TILT	848447
2 AUTO DOOR, FORWARD TILT	848446
2 AUTO DOOR, REAR TILT	848446
2 AUTO DOOR, 2 WAY TILT	848446

CONTROL PANEL FOR FRONT RIGHT CONTROL DOOR

CHART FOR ITEM# 2			
MACHINE TYPE	SUB NEEDED	MACHINE TYPE	SUB NEEDED
1 MANUAL DOOR, NON TILT	848432	1 MANUAL DOOR, NON TILT WITH SPRINKLER	848431
1 MANUAL DOOR, FORWARD TILT	848428	1 MANUAL DOOR, FORWARD TILT WITH SPRINKLER	848427
1 MANUAL DOOR, REAR TILT	848428	1 MANUAL DOOR, REAR TILT WITH SPRINKLER	848427
1 MANUAL DOOR, 2 WAY TILT	848428	1 MANUAL DOOR, 2 WAY TILT WITH SPRINKLER	848427
2 MANUAL DOOR, NON TILT	848430	2 MANUAL DOOR, NON TILT WITH SPRINKLER	848429
2 MANUAL DOOR, FORWARD TILT	848428	2 MANUAL DOOR, FORWARD TILT WITH SPRINKLER	848427
2 MANUAL DOOR, REAR TILT	848428	2 MANUAL DOOR, REAR TILT WITH SPRINKLER	848427
2 MANUAL DOOR, 2 WAY TILT	848428	2 MANUAL DOOR, 2 WAY TILT WITH SPRINKLER	848427
1 AUTO DOOR, NON TILT	848426	1 AUTO DOOR, NON TILT WITH SPRINKLER	848425
1 AUTO DOOR, FORWARD TILT	848424	1 AUTO DOOR, FORWARD TILT WITH SPRINKLER	848423
1 AUTO DOOR, REAR TILT	848424	1 AUTO DOOR, REAR TILT WITH SPRINKLER	848423
1 AUTO DOOR, 2 WAY TILT	848424	1 AUTO DOOR, 2 WAY TILT WITH SPRINKLER	848423
2 AUTO DOOR, NON TILT	848426	2 AUTO DOOR, NON TILT WITH SPRINKLER	848425
2 AUTO DOOR, FORWARD TILT	848424	2 AUTO DOOR, FORWARD TILT WITH SPRINKLER	848423
2 AUTO DOOR, REAR TILT	848424	2 AUTO DOOR, REAR TILT WITH SPRINKLER	848423
2 AUTO DOOR, 2 WAY TILT	848424	2 AUTO DOOR, 2 WAY TILT WITH SPRINKLER	848423

CHART FOR RIGHT HAND ELECTRICAL CONTROL PANEL

GAS MACHINE		TRANSFORMER (25)			CB7 (16)		CB6 (17)	
PSF #	VOLTAGE	QTY	P/N		QTY	P/N	QTY	P/N
TBD	190	-	TBD	-	-	TBD	1	135511
848596	208	1	132087	300VA	1	135513	1	135511
TBD	220	-	TBD	-	-	TBD	1	135511
848597	230	1	132087	300VA	1	135513	1	135511
848598	240	1	132087	300VA	1	135513	1	135511
848599	380	1	132088	300VA	1	135513	1	135510
848659	400	1	132088	300VA	1	135513	1	135510
848600	416	1	132088	300VA	1	135513	1	135510
848601	460	1	132089	300VA	1	135513	1	135510
848602	480	1	132089	300VA	1	135513	1	135510
848603	575	1	132089	300VA	1	135513	1	135510
848604	600	1	132089	300VA	1	135513	1	135510
STEAM MACHINE		TRANSFORMER (25)			CB7 (16)		CB6 (17)	
PSF #	VOLTAGE	QTY	P/N		QTY	P/N	QTY	P/N
TBD	190	-	TBD	-	-	TBD	1	135511
848605	208	1	132087	300VA	1	135513	1	135511
TBD	220	-	TBD	-	-	TBD	1	135511
848606	230	-	132087	300VA	1	135513	1	135511
848607	240	1	132087	300VA	1	135513	1	135511
848608	380	1	132088	300VA	1	135513	1	135510
848609	400	1	132088	300VA	1	135513	1	135510
848610	416	1	132088	300VA	1	135513	1	135510
848611	460	1	132089	300VA	1	135513	1	135510
848612	480	1	132089	300VA	1	135513	1	135510
848613	575	1	132089	300VA	1	135513	1	135510
848614	600	1	132089	300VA	1	135513	1	135510

DMG 8/30/01

MAN5900

CHART FOR RIGHT HAND BASE ELECTRICAL PANEL

CHART 1								
GAS MACHINE		AUX CONTACTOR	BREAKER (CB 1)	CB1 CURRENT SETTING (AMPS)	CONTACTOR	VARISTOR	BREAKER (CB 4)	CB4 CURRENT SETTING (AMPS)
PSF REF #	VOLTAGE	(4)	(5)		(15)	(14)	(3)	
848636	190	132384	131955	48	132481	132485	131957	40
848637	208	132384	131955	43	132480	132485	131957	40
848638	220	132384	131955	44	132480	132485	131957	40
848639	230	132384	131957	39	132481	132485	131957	40
848640	240	132384	131957	39	132481	132485	131957	40
848641	380/50Hz	132389	131964	20	132465	132437	131957	40
848642	400	--	--	--	--	--	--	--
848643	416	132389	131964	22	132465	132437	131957	40
848644	460	132389	131964	20	132465	132437	131957	40
848645	480	132389	131964	20	132465	132437	131957	40
TBD	575	--	--	--	--	--	--	40
STEAM MACHINE		AUX CONTACTOR	BREAKER (CB 1)	CB1 CURRENT SETTING (AMPS)	CONTACTOR	VARISTOR	BREAKER (CB 4)	CB4 CURRENT SETTING (AMPS)
PSF REF #	VOLTAGE	(10)	(11)		(13)	(17)	(20)	
848646	190	TBD	TBD	82	TBD	132485	131957	40
848647	208	132384	131956	76	132479	132485	131957	40
848648	220	TBD	TBD	83	TBD	132485	131957	40
848649	230.50/60HZ	132384	131956	68/80	132479	132485	131957	40
848650	240	132384	131956	68	132479	132485	131957	40
848651	380	132384	131955	41	132480	132485	131957	40
848652	400	132384	131957	35	132481	132485	131957	40
848653	416	132384	131955	40	132481	132485	131957	40
848654	460	132384	131957	34	132481	132485	131957	40
848655	480	132384	131957	34	132481	132485	131957	40
TBD	575	--	--	--	--	--	--	40

DMG 8/30/01

MAN5896

CHART FOR LEFT HAND BASE ELECTRICAL PANEL

CHART 1								
GAS MACHINE		AUX CONTACT	TUMBLER BREAKER CB2	CB2 CURRENT SETTING (AMPS)	CONTACTOR	BREAKER CB5	BREAKER CB5	BREAKER CB5
PSF REF #	VOLTAGE	(4)	(5)		(6)	(16)	(19)	(20)
848615	190	132389	131969	22	132423	TBD
848616	208	132389	131969	24	132423	135506
848617	220	132389	131969	25	132423	TBD
848618	230	132389	131969	22	132423	135506
848619	240	132389	131969	22	132423	135506
848620	380	132389	131970	11	132424	135506
848621	400	132389	131970	11	132424	TBD
848622	416	132389	131970	11	132424	135506
848623	460	132389	131970	11	132424	135506
848624	480	132389	131970	11	132424	135506
STEAM MACHINE		AUX CONTACT	TUMBLER BREAKER CB2	CB2 CURRENT SETTING (AMPS)	CONTACTOR	BREAKER CB5	BREAKER CB5	BREAKER CB5
PSF REF #	VOLTAGE	(4)	(5)		(6)	(16)	(19)	(20)
848625	190	132389	131969	22	132423	TBD
848626	208	132389	131969	24	132423	135506
848627	220	132389	131969	25	132423	TBD
848628	230	132389	131969	22	132423	135506
848629	240	132389	131969	22	132423	135506
848630	380	132389	131970	11	132424	135506
848631	400	132389	131970	11	132424	135506
848632	416	132389	131970	11	132424	135506
848633	460	132389	131970	11	132424	135506
848634	480	132389	131970	11	132424	135506

DMG 9/30/01

MAN5897

