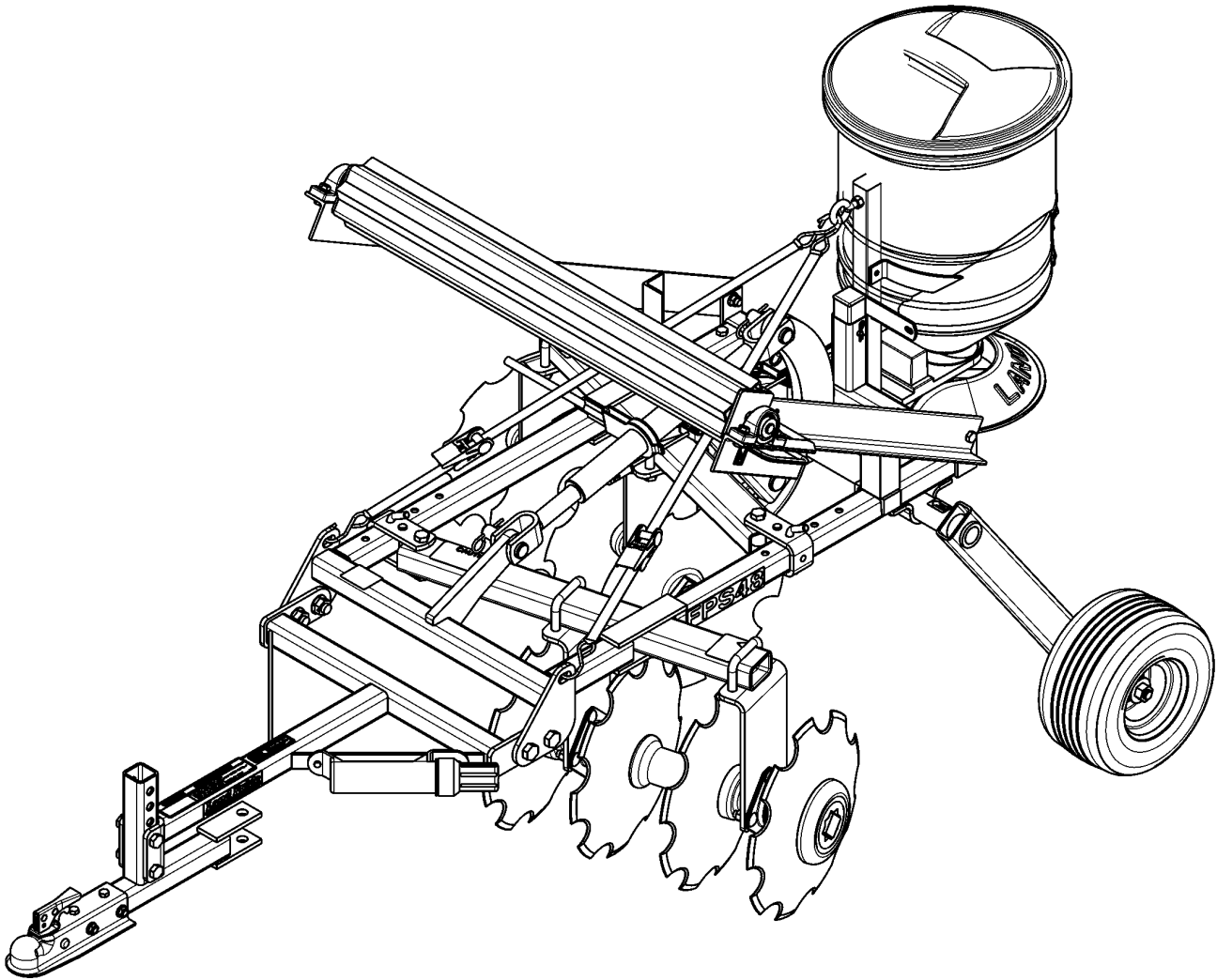


# Food Plot Seeder

## FPS48 Plot Ranger



23896

### **322-118P** **Parts Manual**



Read the Operator's manual entirely. When you see this symbol, the subsequent instructions and warnings are serious - follow without exception. Your life and the lives of others depend on it!

© Copyright 2007 Printed 12/13/07

Cover photo may show optional equipment not supplied with standard unit.





# Table of Contents

---

<b>Section 1: Introduction.....</b>	<b>4</b>
Using This Manual.....	4
Manual Replacement Information.....	4
Manual Revisions.....	4
Touch-up Paint.....	4
Hardware Legend.....	5
Replacement Hardware.....	5
Serial Numbers.....	5
Part Number Service Coding.....	5

## FOOD PLOT SEEDER

<b>Section 2: Frame.....</b>	<b>6</b>
Frame and Hitch.....	6
Transport Axle S/N 551159-.....	8
Transport Axle S/N 551160+.....	10
<b>Section 3: Disc Assembly.....</b>	<b>12</b>
Disc Gang Assembly FPS.....	12
Disc Gang to Frame.....	14
<b>Section 4: Labels.....</b>	<b>16</b>
Label Placement.....	16
<b>Section 5: Options.....</b>	<b>18</b>
Electric Lift Option.....	18
Rear Roller Option.....	20
Seed Spreader Option.....	22

<b>Part Number Index.....</b>	<b>24</b>
-------------------------------	-----------

© Copyright 2007. All rights reserved.

Land Pride provides this publication “as is” without warranty of any kind, either expressed or implied. While every precaution has been taken in the preparation of this manual, Land Pride assumes no responsibility for errors or omissions. Neither is any liability assumed for damages resulting from the use of the information contained herein. Land Pride reserves the right to revise and improve its products as it sees fit. This publication describes the state of this product at the time of its publication, and may not reflect the product in the future. The illustrations in this manual are not intended for safe and proper assembly or disassembly of equipment. The illustrations are intended for ordering parts only.

Land Pride is registered trademark.

All other brands and product names are trademarks or registered trademarks of their respective holders.

*Printed in the United States of America.*



# Alphabetized Table of Contents

---

## FOOD PLOT SEEDER

<b>D</b>	
	Disc Gang Assembly FPS.....12
	Disc Gang to Frame.....14
<b>E</b>	
	Electric Lift Option.....18
<b>F</b>	
	Frame and Hitch.....6
<b>L</b>	
	Label Placement.....16
<b>R</b>	
	Rear Roller Option.....20
<b>S</b>	
	Seed Spreader Option.....22
<b>T</b>	
	Transport Axle S/N 551159-.....8
	Transport Axle S/N 551160+.....10

# General Information

## Using This Manual

This manual is divided into sections. The first section contains General Information. The remaining sections divide the machine into segments (i.e. Frames, Drives, Hydraulics, etc.) which illustrate and list all parts. A Parts Number Index is located at the back of the book.

The Land Pride parts in this manual are specially designed for this machine and should be replaced with Land Pride parts only.

The information in this manual is current at time of printing. Some parts may change to assure top performance.

Right-hand and left-hand as used in this manual are determined by facing the direction the machine will travel while in use.

Below is an example of two facing pages from a parts manual. Familiarize yourself with the type of information contained on these pages.

## Manual Replacement Information

Replacement manuals are available. Refer to our website at [www.landpride.com](http://www.landpride.com), the Land Pride Support Center CD or e-mail us at [lit@landpride.com](mailto:lit@landpride.com) for additional information. Our website continues to provide the most up-to-date manuals available.

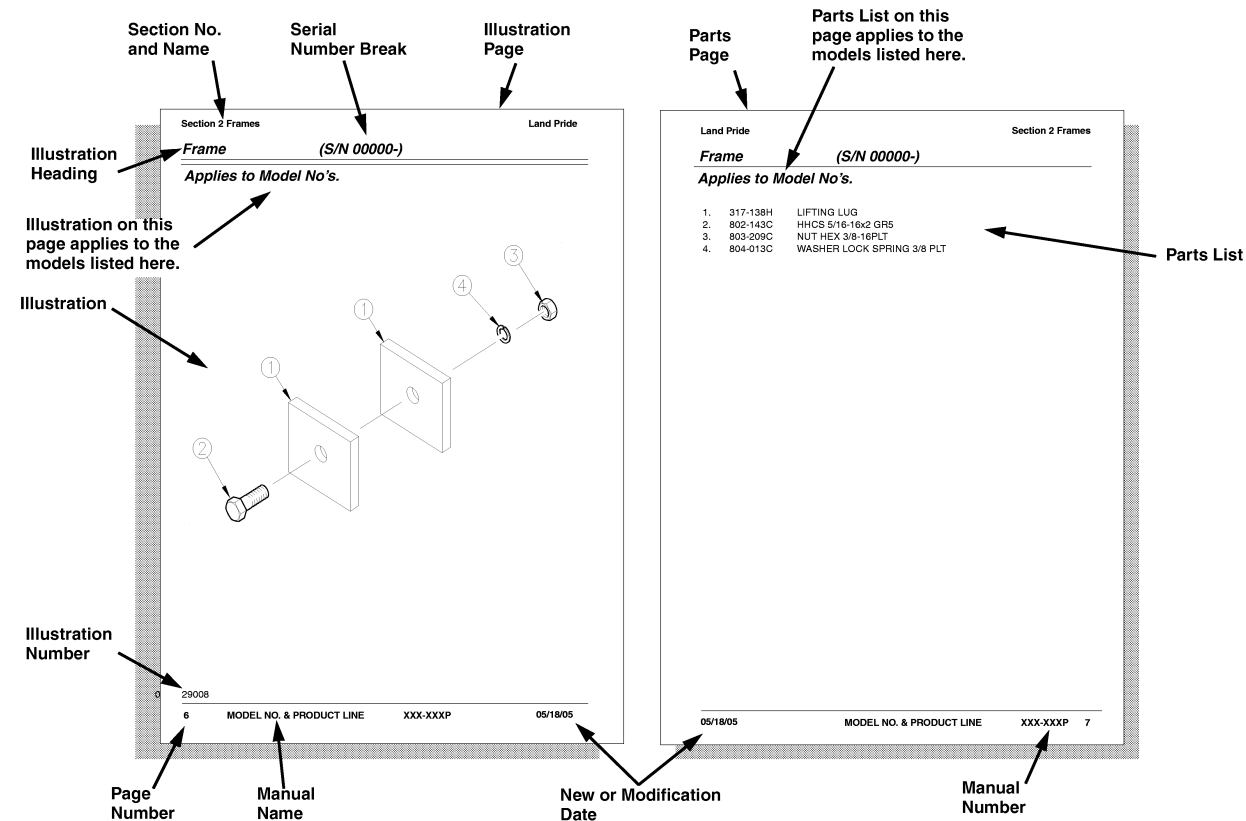
## Touch-up Paint

Repaint parts where paint is worn or scratched to prevent rust. Aerosol cans and touch-up bottles with brush applicator are available through your local dealer. Land Pride color descriptions and part numbers are listed below. Also available are quart and gallon size paints. Add QT or GL to end of the Aerosol P/N.

Color	Product <sup>1</sup>	Aerosol	Touch-Up
Gloss Black	LP	821-032C	821-032CTU
Medium Gloss Black	UV	821-053C	821-053CTU
Beige	LP	821-011C	821-011CTU
Green	SLP	821-058C	821-058CTU
Orange	SLP	821-066C	821-066CTU
Red	SLP/UV	821-054C	821-054CTU
Blue	SLP/UV	821-067C	821-067CTU
Dark Green Sparkle	UV	821-055C	821-055CTU
Gondo Forest Green	UV	821-057C	821-057CTU
Brite Yellow <sup>2</sup>	UV	821-056C	821-056CTU
Gondo Yellow <sup>3</sup>	UV	821-059C	821-059CTU

Notes:

- 1 LP = All Land Pride Products except Utility Vehicles  
SLP = Select Land Pride Products that are available in optional Green, Orange, Red, & Blue colors.  
UV = Utility Vehicles
- 2 Used on Trekers and (Runabouts with S/N 407628-)
- 3 Used on Gondos and (Runabouts with S/N 407629+)



## General Information

### Hardware Legend

<b>AR</b>	As Required
<b>BLADE</b>	Blade Bolt
<b>C</b>	Cap Screw
<b>CP</b>	Cotter Pin
<b>CPHSSS</b>	Cup Point Hex Socket Set Screw
<b>CPSHSS</b>	Cup Point Square Head Set Screw
<b>CPSQHSS</b>	Cup Point Square Head Set Screw
<b>CRFCHMS3</b>	Cross Recess Flat Countersunk Head Machine Screw
<b>CRPHMS</b>	Cross Recess Pan Head Machine Screw
<b>CRPHTFS</b>	Cross Recess Pan Head Thread Forming
<b>CRRHMS</b>	Cross Recess Round Head Machine Screw
<b>CRTHMS</b>	Cross Recess Truss Head Machine Screw
<b>CSNB</b>	Countersunk Square Neck Bolt
<b>FHMS</b>	Flat Head Machine Screw
<b>FTC</b>	Full Thread Cap Screw
<b>H</b>	Hex Nut
<b>HCLN</b>	Hex Center Lock Nut
<b>HFLCS</b>	Hex Flange Lock Cap Screw
<b>HFS</b>	Hex Flange Screw
<b>HFSLN</b>	Hex Flange Serrated Lock Nut
<b>HFSS</b>	Hex Flange Serrated Screw
<b>HHCS</b>	Hex Head Cap Screw or Metric Bolt
<b>HSBHCS</b>	Hex Socket Button Head Cap Screw
<b>HSFCHCS</b>	Hex Socket Flat Countersunk Head Cap Screw
<b>HSHCS</b>	Hex Socket Head Cap Screw
<b>HSSS</b>	Hex Socket Head Screw
<b>HTLN</b>	Hex Top Lock Nut
<b>HWHCS</b>	Hex Washer Head Cap Screw

<b>HWHMS</b>	Hex Washer Head Machine Screw
<b>HXBHCS</b>	Hex Socket Button Head Cap Screw
<b>J</b>	Hex Jam Nut
<b>JIC</b>	37 Degree Tapered Thread
<b>L</b>	Helical Spring Lock Washer
<b>LUG</b>	Lug Bolt
<b>NFC</b>	National Fine Cap Screw
<b>NPSM</b>	National Pipe Straight Mechanical
<b>NPTF</b>	National Pipe Taper Fuel
<b>P</b>	Wide Plain Washer
<b>PHMS</b>	Pan Head Machine Screw
<b>PLOW</b>	Plow Bolt
<b>RHMS</b>	Round Head Machine Screw
<b>RHSNB</b>	Round Head Square Neck Bolt
<b>SCREW LEVELING</b>	Leveling Screw
<b>SCREW THUMB</b>	Thumb Screw
<b>SCREW WELD</b>	Weld Screw
<b>SFCHMS</b>	Slotted Flat Countersunk Head Machine Screw
<b>SFHMS</b>	Slotted Fillister Head Machine Screw
<b>SP</b>	Special
<b>SP SCREW</b>	Special Screw
<b>SQHSS</b>	Square Head Set Screw
<b>SRHMS</b>	Slotted Round Head Machine Screw
<b>SSS</b>	Socket Set Screw
<b>STCS</b>	Self Tapping Cap Screw
<b>STHMS</b>	Slotted Truss Head Machine Screw
<b>WHEEL</b>	Wheel Studs and Hub Long Bolts
<b>WING</b>	Wing Bolt

### Replacement Hardware

The **Hardware Legend** above lists hardware abbreviations used in the parts list. All bolts and nuts are Grade 5 unless otherwise noted. The use of improper grades of hardware can result in personal injury, damage to equipment, or loss of property.

### Colored Replacement Parts

Land Pride offers replacement parts in factory standard colors and also on select models in Green, Orange, Red and Blue. Because of the variety of colors available, special attention must be given to the part number to prevent ordering the wrong replacement part.

A suffix number corresponding to one of the colors below must be added at the end of Land Pride's part number when ordering a replacement part with that color.

**81 . . . . . Green      83 . . . . . Red**  
**82 . . . . . Orange    84 . . . . . Blue**

For example, if you are ordering a replacement part with part number 555-555C and the part you need is red, then add the suffix 83 to the end of the number to make the part number read 555-555C83. Parts ordered without a suffix number will be supplied in factory standard colors.

### Black Replacement Parts

Some parts are factory standard black and some must be special ordered black. If your part is special ordered black, a second part number with the additional suffix number 85 on the end will be available. In this situation you must order that part with the suffix number for it to be black. Parts that are factory standard black will not have the suffix number.

### Part Number Service Coding

Within the parts list some part numbers are coded for revisions and interchangeability. See notations in revision column.

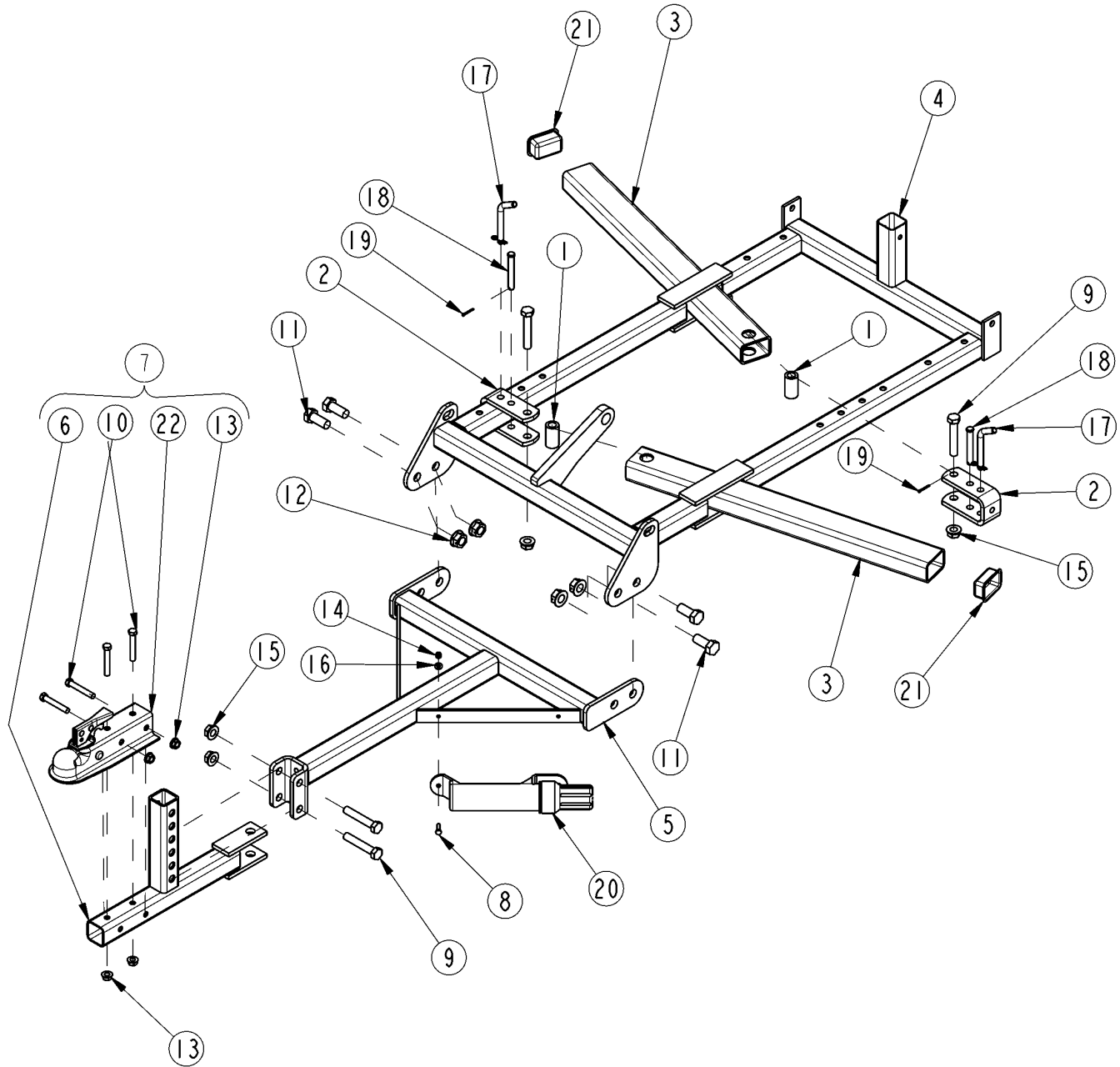
### Serial Numbers

Always use the serial and model number when ordering parts. Refer to the Operator's Manual for serial number plate location.

- |                      |  |
|----------------------|--|
| (S/N 20001+)         | Includes serial numbers 20001 and above (to the latest number)   |
| (S/N 10001 to 20000) | Includes serial numbers between and including 10001 and 20000    |
| (S/N 10000-)         | Includes serial numbers 10000 and below (to the earliest number) |

# Frame and Hitch

Applies to FPS48



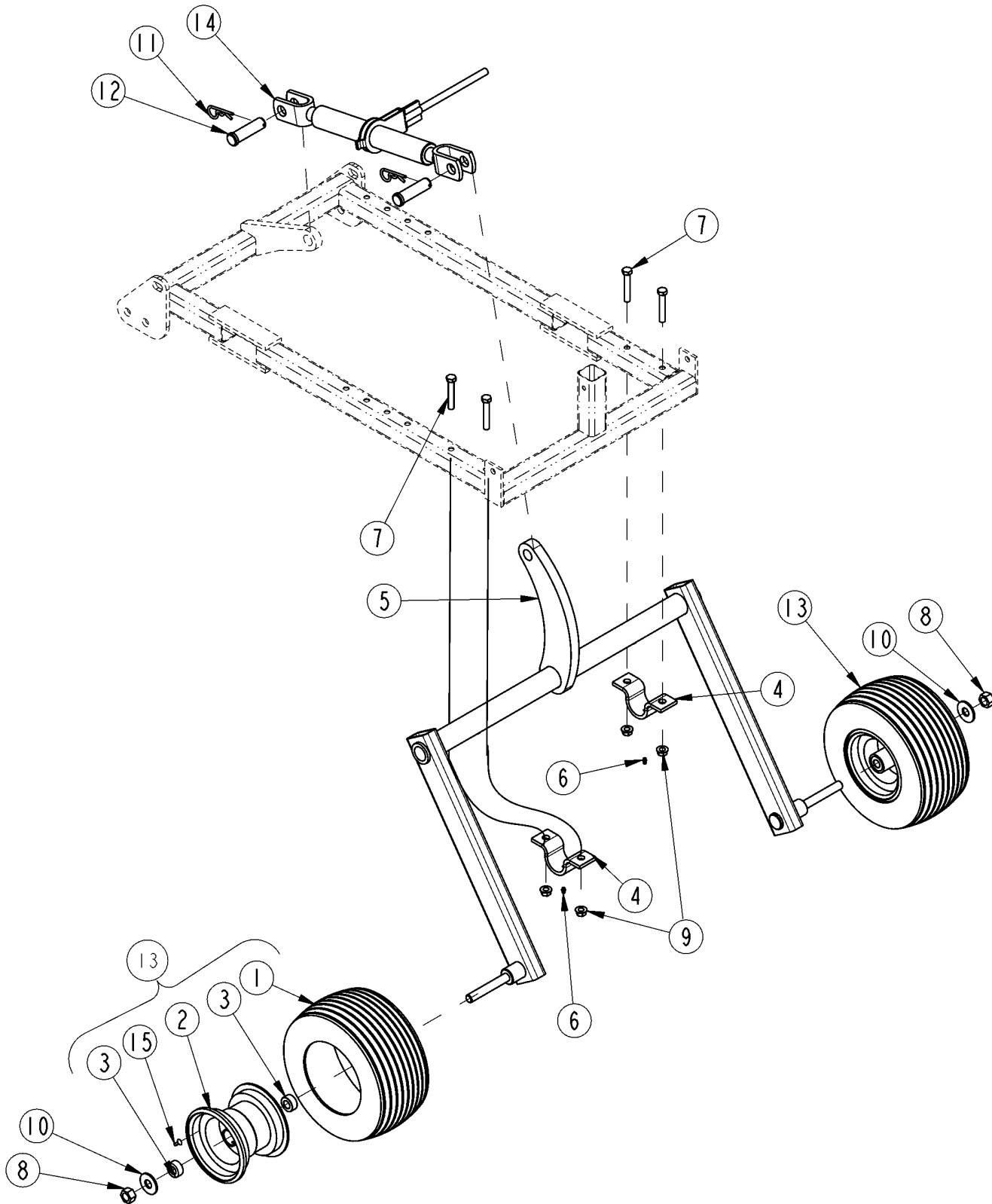
23897

**Frame and Hitch****Applies to FPS48**

<b>Ref</b>	<b>Part No.</b>	<b>Part Description</b>	<b>Comments</b>	<b>Revision</b>
	dwg23897	Drawing Image Number		
1.	322-017D	DISC SPACER TUBE SWING ARM		
2.	322-067D	SLIDE ADJUSTMENT U-CHANNEL		
2.	322-067D82	SLIDE ADJUSTMENT U-CHNL ORANGE		
3.	322-077D	DISC FNT/BCK SWNG ARM TUBE FPS		
3.	322-077D82	DISC FNT/BK SWNG TB FPS ORANGE		
4.	322-106H	FRAME WELDMENT FPS48		
4.	322-106H82	FRAME WELDMENT FPS48 ORANGE		
5.	322-110H	FRONT HITCH WELDMENT FPS		
5.	322-110H82	FRONT HITCH WMT FPS ORANGE		
6.	322-123H	2"BALL/CLEVIS HITCH WELDMENT		
6.	322-123H82	2"BALL/CLEVIS HITCH WMT ORANGE		
7.	322-124S	2" BALL/CLEVIS HITCH ASSEMBLY		
8.	802-005C	HHCS 1/4-20X1 GR5		
9.	802-162C	HHCS 5/8-11X3 1/2 GR5		
10.	802-315C	HHCS 7/16-14X2 3/4 GR5		
11.	802-392C	HHCS 3/4-10X1 3/4 GR5		
12.	803-299C	NUT HEX FLG TOP LK 3/4-10 PLT		
13.	803-229C	NUT HEX FLANGE LOC 7/16-14 PLT		
14.	803-255C	NUT HEX NYLOCK 1/4-20		
15.	803-263C	NUT HEX FLANGE LOCK 5/8-11 PLT		
16.	804-007C	WASHER FLAT 1/4 SAE PLT		
17.	805-035C	PIN BENT 1/2 X 3 W/HAIRPIN 12B		
18.	805-108C	PIN CLEVIS 1/2 X 3 1/2 PLT		
19.	805-363C	PIN COTTER 1/8 X 1		
20.	816-504C	MANUAL STORAGE CONTAINER		
21.	817-387C	PLASTIC END CAP 3X2X3/16 WL TB		
22.	890-903C	HITCH, 2" BALL		

**Transport Axle S/N 551159-**

Applies to FPS48



23899

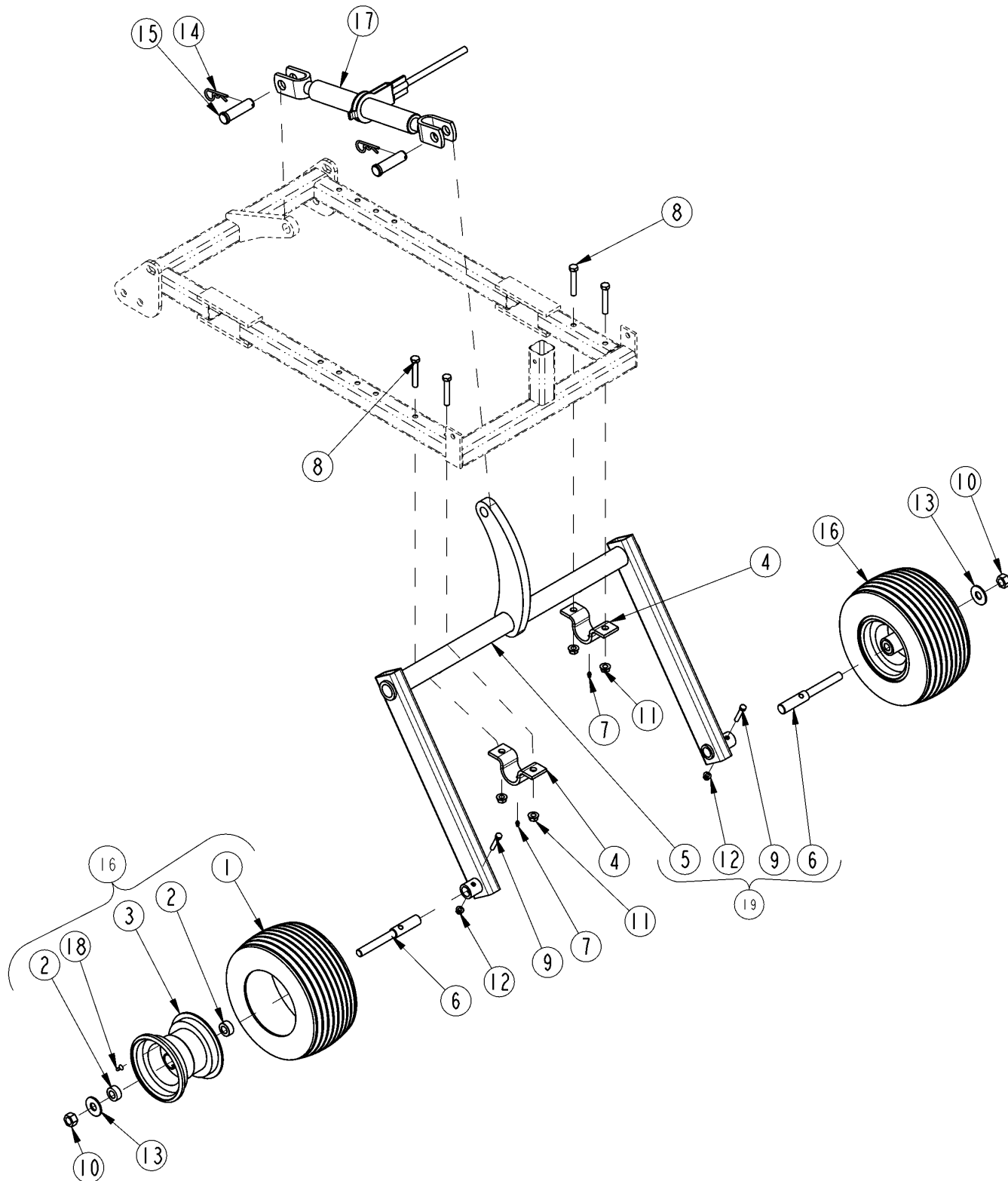


**Transport Axle S/N 551159-****Applies to FPS48**

<b>Ref</b>	<b>Part No.</b>	<b>Part Description</b>	<b>Comments</b>	<b>Revision</b>
	dwg23899	Drawing Image Number		
1.	5181861	CARLISLE TIRE 13 X 6.5-6 4PLY		
2.	0631188014	CARLISLE RIM		
3.	015300000042	CARLISLE 3/4" ID BEARING		
4.	175-061D	PUSH, PIVOT TUBE HALF CLAMP		
4.	175-061D82	PUSH, PVT TB HALF CLMP ORANGE		
5.	322-258S	REAR AXLE W/BLT N SPNDL	Includes Replaceable Spindle Shafts & and Hardware	
5.	322-258S82	REAR AXLE W/BLT N SPNDL ORANGE	Includes Replaceable Spindle Shafts & and Hardware	
6.	800-001C	GREASE ZERK STRAIGHT 1/4-28		
7.	802-039C	HHCS 1/2-13X3 GR5		
8.	803-026C	NUT LOCK 3/4-10 PLT		
9.	803-169C	NUT HEX FLG. LOCK 1/2-13 PLT.		
10.	804-024C	WASHER FLAT 3/4 USS PLT	S/N 507899+	
10.	804-025C	WASHER FLAT 3/4 SAE PLT	S/N 507898-	
11.	805-088C	PIN, HAIR COTTER 3/16 WIRE DIA		
12.	805-090C	PIN CLEVIS 1 X 3 3/16 LG		
13.	814-121C	TIRE/WHEEL ASM 13/6.50X6		
14.	890-177C	RATCHET JACK - HEAVY DUT		
15.	TR-412	T1. VALVE MARTIN		

**Transport Axle S/N 551160+**

Applies to FPS48



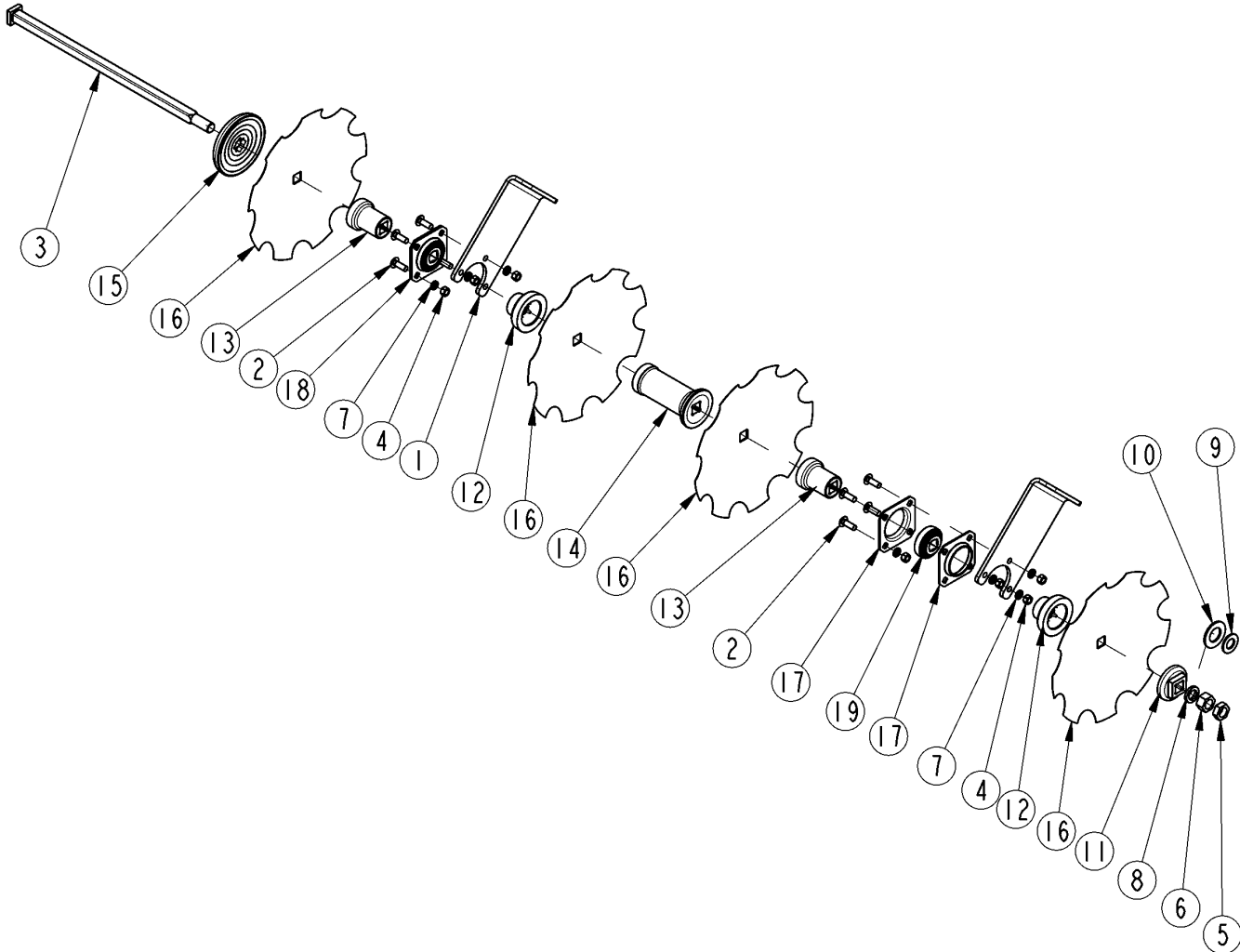
25779

**Transport Axle S/N 551160+****Applies to FPS48**

<b>Ref</b>	<b>Part No.</b>	<b>Part Description</b>	<b>Comments</b>	<b>Revision</b>
	dwg25779	Drawing Image Number		
1.	5181861	CARLISLE TIRE 13 X 6.5-6 4PLY		
2.	15300000042	CARLISLE 3/4" ID BRG		
3.	631188014	CARLISLE RIM		
4.	175-061D	PUSH, PVT TB HALF CLMP		
5.	322-108H	REAR AXLEWELDMENT FPS		
5.	322-108H82	REAR AXLEWELDMENT FPS ORANGE		
6.	322-232D	STUB WHEEL SHAFT LONG		
7.	800-001C	GREASE ZERK STRAIGHT 1/4-28		
8.	802-039C	HHCS 1/2-13X3 GR5		
9.	802-143C	HHCS 3/8-16X2 GR5		
10.	803-026C	NUT LOCK 3/4-10 PLT		
11.	803-169C	NUT HEX FLG. LOCK 1/2-13 PLT.		
12.	803-209C	NUT FLANGE LOCK 3/8-16 PLT		
13.	804-024C	WASHER FLAT 3/4 USS PLT		
14.	805-088C	PIN, HAIR COTTER 3/16 WIRE DIA		
15.	805-090C	PIN CLEVIS 1 X 3 3/16 LG		
16.	814-121C	TIRE/WHEEL ASM 13/6.50X6		
17.	890-177C	RATCHET JACK - HEAVY DUT		
18.	TR-412	T1. VALVE MARTIN		
19.	322-258S	REAR AXLE W/BLT N SPNDL		
19.	322-258S82	REAR AXLE W/BLT N SPNDL ORANGE		

# Disc Gang Assembly FPS

Applies to FPS48



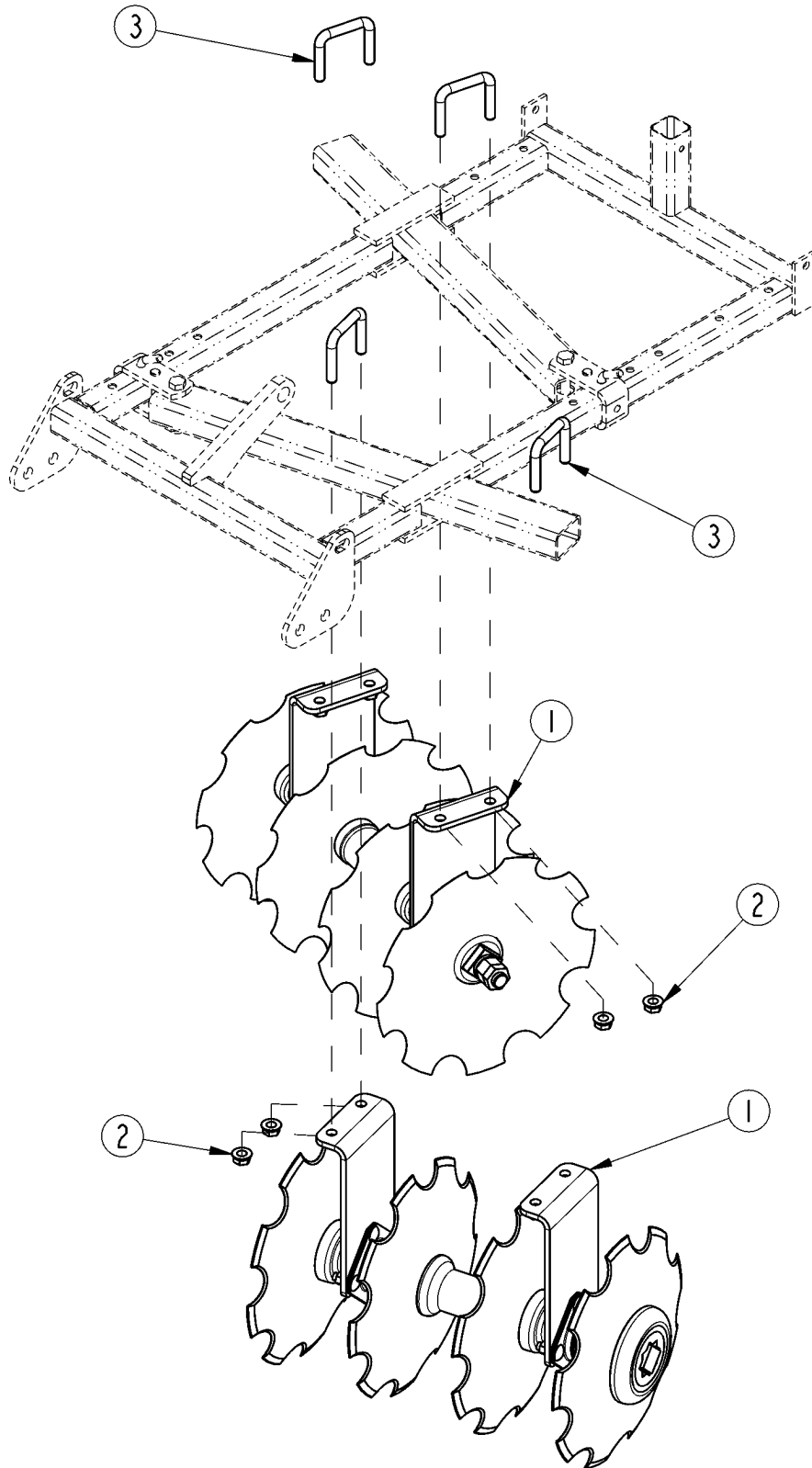
23765

**Disc Gang Assembly FPS****Applies to FPS48**

<b>Ref</b>	<b>Part No.</b>	<b>Part Description</b>	<b>Comments</b>	<b>Revision</b>
	dwg23765	Drawing Image Number		
	322-086S	4-16 IN. NOTCHED DISC SUB-ASSY		
1.	322-061D	DISC HANGER BRACKET DH10		
2.	802-106C	RHSNB 1/2-13X1 1/2 GR5		
3.	802-635C	SP SQHD 1-8 X 26.38 SQ.SHANK		
4.	803-020C	NUT HEX 1/2-13 PLT		
5.	803-030C	NUT HEX JAM 1-8 PLT		
6.	803-031C	NUT HEX 1-8 PLT		
7.	804-015C	WASHER LOCK SPRING 1/2 PLT		
8.	804-027C	WASHER LOCK SPRING 1 PLT		
9.	804-029C	WASHER FLAT 1 SAE	As Required	
10.	804-171C	WASHER FLAT 1 3/8 HARD ASTMF436	As Required	
11.	812-276C	DISC HARROW SMALL CAP CASTING		
12.	812-277C	DISC HARROW 2 3/8LG SPCR CAST.		
13.	812-278C	DISC HARROW 3 5/8LG SPCR CAST.		
14.	812-279C	DISC HARROW 7 7/16LG SPCR CAST		
15.	812-280C	DISC HARROW LARGE CAP CASTING		
16.	820-349C	16IN 3MM NOTCHED DISC BLD SQHL		
17.	822-179C	FLANGETTE 4 BLT FLG,4.687 B.C.		
18.	822-180C	FLANGED BEARING INCORP BALLBRG		
19.	822-181C	BRG SPHERE 1SQ.B. W208PPB6-NCO		

## Disc Gang to Frame

Applies to FPS48



23898

## ***Disc Gang to Frame***

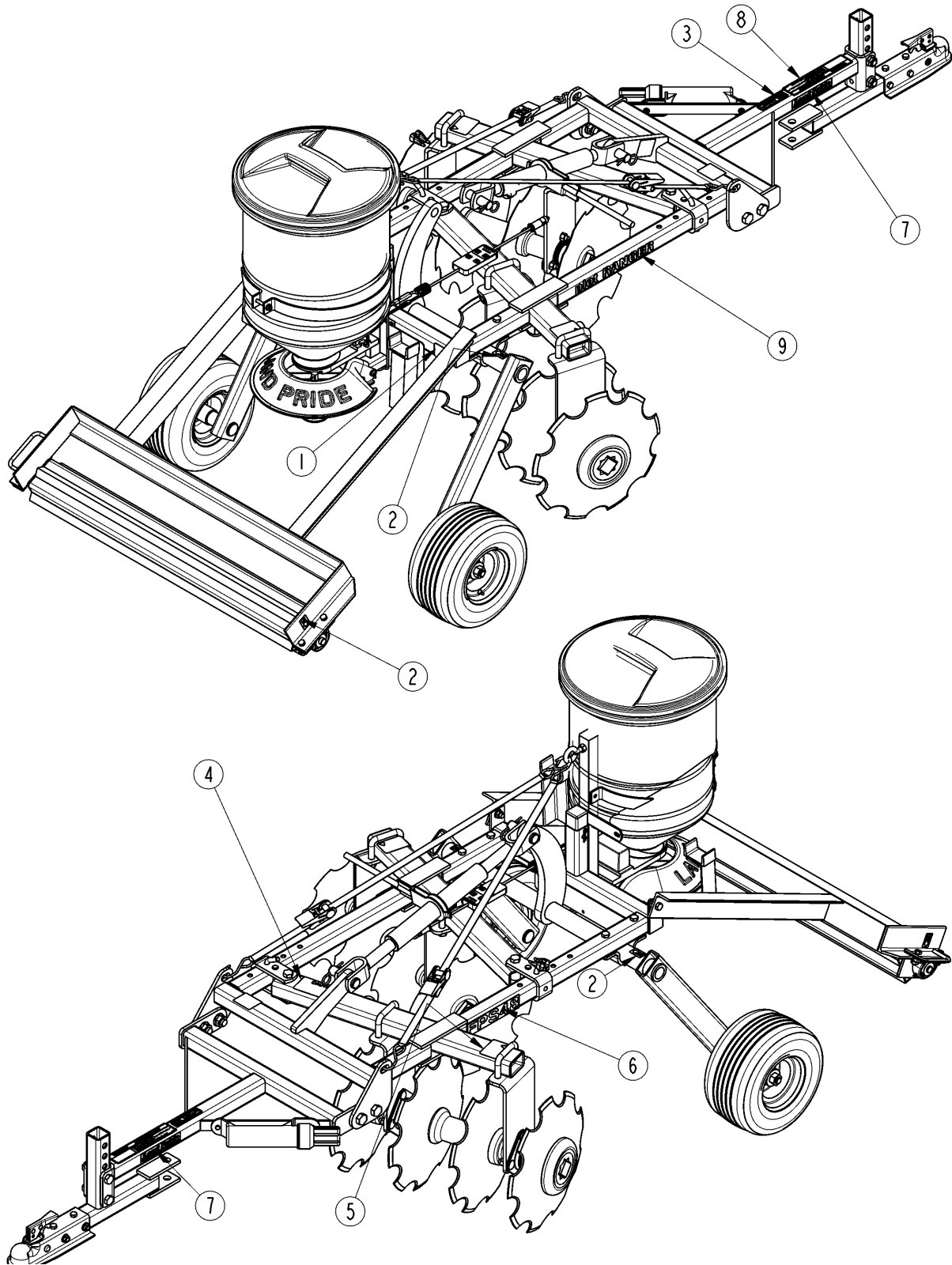
---

### **Applies to FPS48**

<b>Ref</b>	<b>Part No.</b>	<b>Part Description</b>	<b>Comments</b>	<b>Revision</b>
	dwg23898	Drawing Image Number		
1.	322-086S	4-16 IN. NOTCHED DISC SUB-ASSY		
2.	803-263C	NUT HEX FLANGE LOCK 5/8-11 PLT		
3.	806-201C	U-BOLT,5/8-11X3 1/32X3		

# Label Placement

Applies to FPS48



23902

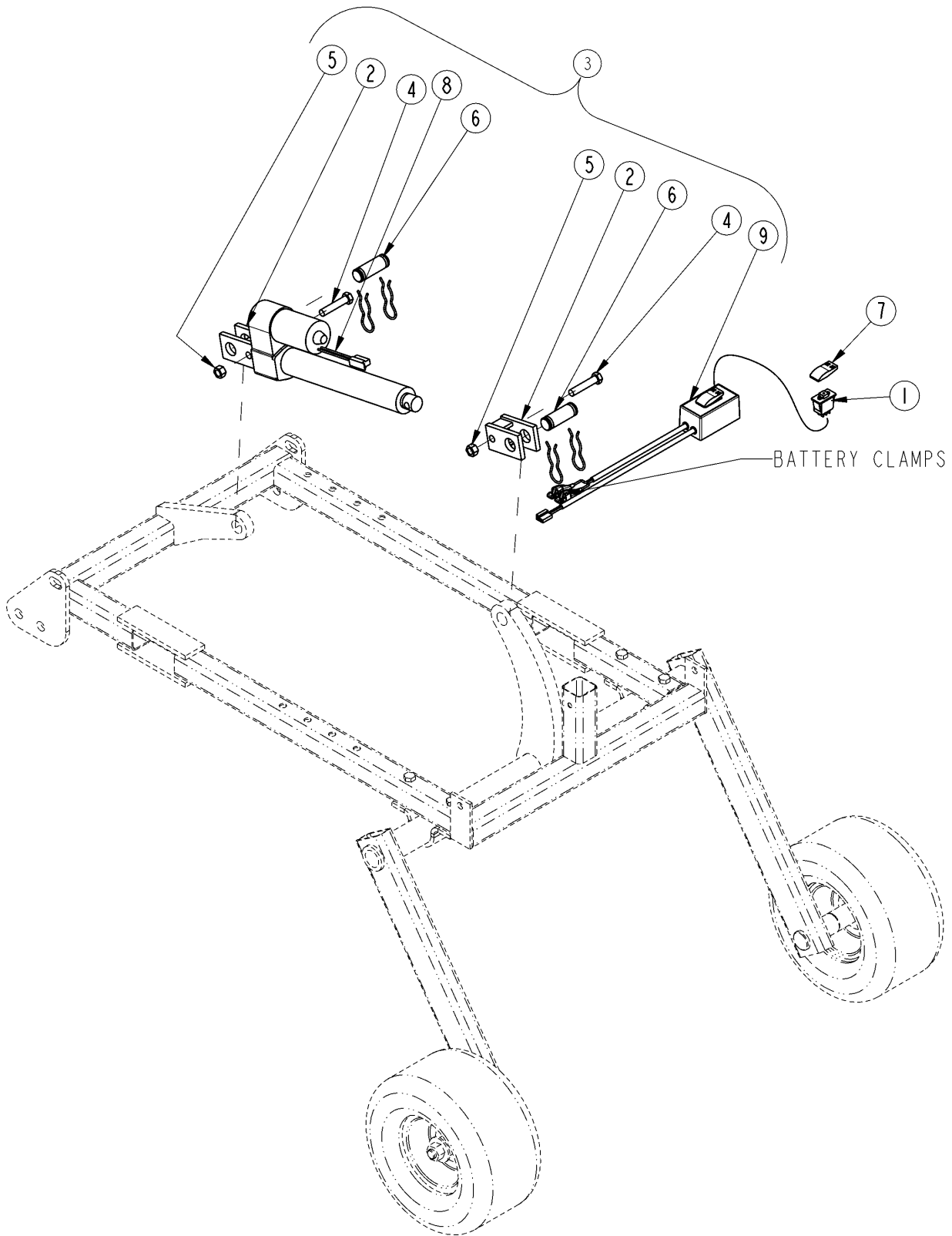


***Label Placement*****Applies to FPS48**

<b>Ref</b>	<b>Part No.</b>	<b>Part Description</b>	<b>Comments</b>	<b>Revision</b>
	dwg23902	Drawing Image Number		
1.	818-230C	DECAL RED REFLECTOR		
2.	818-298C	DECAL GREASE 25HRS BLACK/WHITE		
3.	818-681C	DECAL NOTICE - 20 MPH MAX		
4.	818-719C	DECAL CAUTION GENERAL INSTR		
5.	838-093C	DECAL SHARP OBJ HAZARD DISCS		
6.	838-887C	DECAL, FPS48	Beige Unit	
6.	848-223C	DECAL FPS48-GOLD	Orange Unit	
7.	838-936C	DECAL LANDPRIDE 6" - BROWN	Beige Unit	
7.	838-967C	DECAL LANDPRIDE 6" BROWN/GOLD	Orange Unit	
8.	838-939C	DECAL WARNING NEG TONGUE FPS		
9.	838-940C	DECAL PLOT RANGER	Beige Unit	
9.	848-238C	DECAL LANDPRIDE 6" BROWN/GOLD	Orange Unit	

### Electric Lift Option

Applies to FPS48



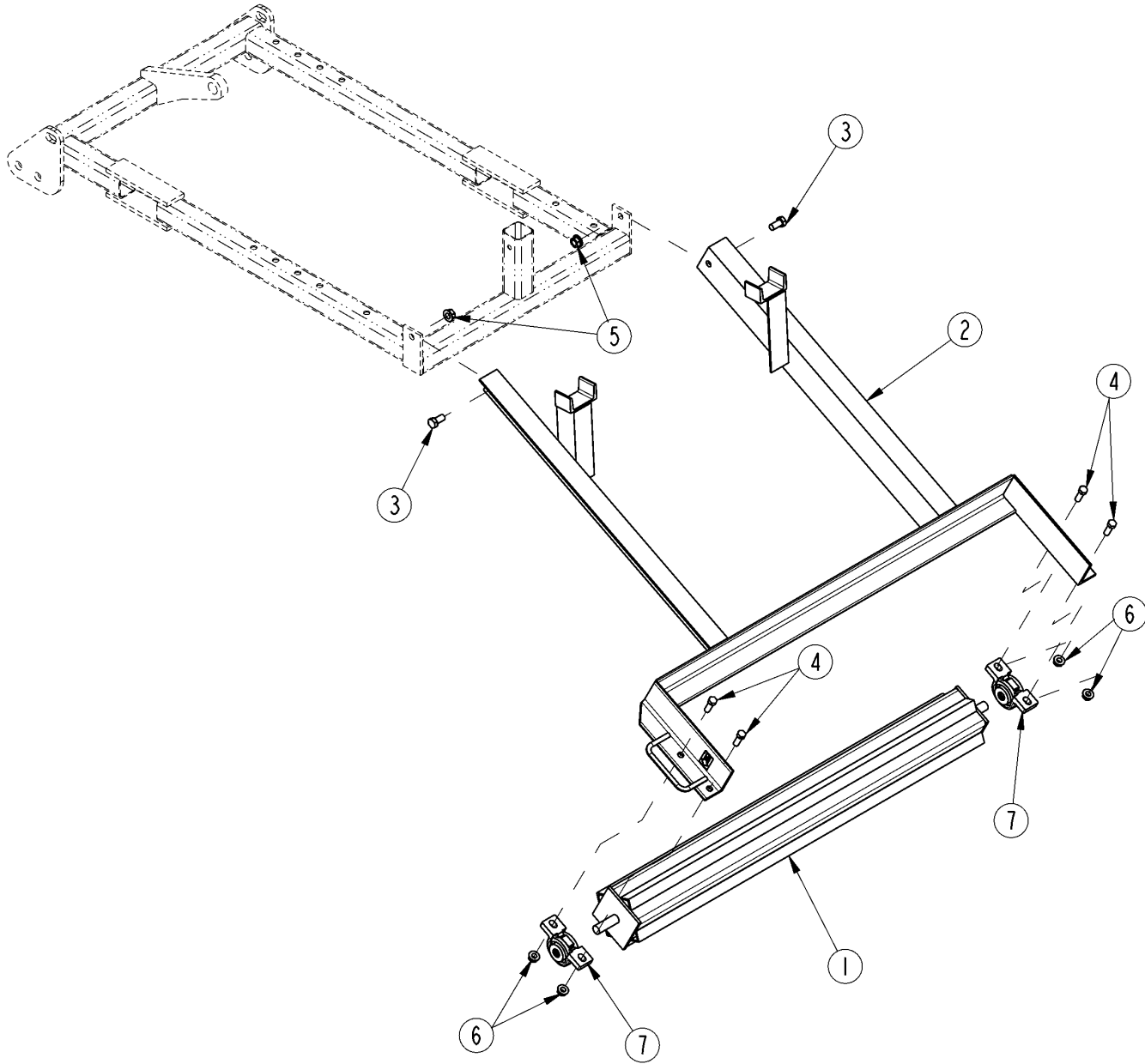
23903

***Electric Lift Option*****Applies to FPS48**

<b>Ref</b>	<b>Part No.</b>	<b>Part Description</b>	<b>Comments</b>	<b>Revision</b>
	dwg23903	Drawing Image Number		
1.	44324	SWITCH DPDT MOM ON-OFF-MOM ON		
2.	322-109H	CYLINDER ADAPTER WELDMENT		
3.	322-119A	ELECTRIC LIFT ACTUATOR PACKAGE		
4.	802-130C	HHCS 1/2-13X2 1/2 GR5		
5.	803-019C	NUT LOCK 1/2-13 PLT		
6.	805-012C	PIN CLEVIS 1 X 2 1/8 USABLE LG	With Clips	
7.	833-271C	SWITCH ACTUATOR		
8.	833-318C	ELECT. LINEAR ACTUATOR 8" STRK		
9.	833-402C	WIRING HARNESS W/SWITCH		

## Rear Roller Option

Applies to FPS48



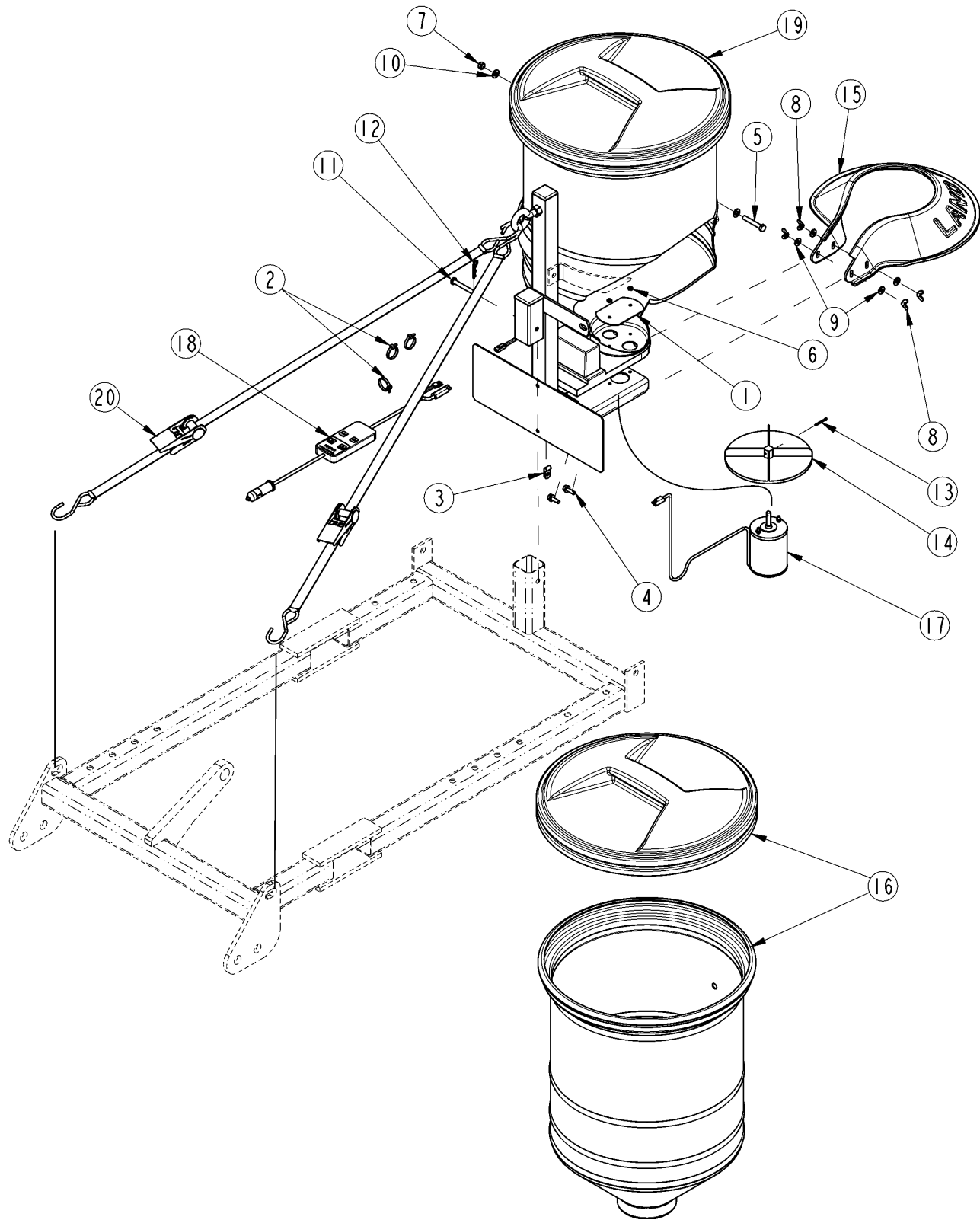
23900

***Rear Roller Option*****Applies to FPS48**

<b>Ref</b>	<b>Part No.</b>	<b>Part Description</b>	<b>Comments</b>	<b>Revision</b>
	dwg23900	Drawing Image Number		
	322-114A	REAR ROLLER ASSEMBLY *		
1.	322-113H	REAR ROLLER WELDMENT		
2.	322-115H	REAR ROLLER FRAME WELDMENT		
3.	802-034C	HHCS 1/2-13X1 1/4 GR5		
4.	802-673C	HHCS 7/16-14X1 1/4 GR5 PLT		
5.	803-169C	NUT HEX FLG. LOCK 1/2-13 PLT.		
6.	803-229C	NUT HEX FLANGE LOC 7/16-14 PLT		
7.	822-221C	BEARING PILLOW BLOCK 3/4ID 204		

## Seed Spreader Option

Applies to FPS48



23901

**Seed Spreader Option****Applies to FPS48**

Ref	Part No.	Part Description	Comments	Revision
	dwg23901	Drawing Image Number		
	322-117A	SPIN SPREADER ASSEMBLY *		
1.	322-106D	RESTRICTOR SMALL SEED		
2.	800-060C	CABLE TIE .19X14.25 3DIA 50LB	As Required	
3.	800-347C	WIRING/TUBE CLIP FOR 1/4 OD		
4.	802-257C	HFSS 1/4-20X3/4 GR5		
5.	802-473C	HHCS 5/16-18X2 FTHD		
6.	803-064C	NUT HEX 8-32		
7.	803-084C	NUT HEX NYLOCK 5/16-18 PLT		
8.	803-202C	NUT WING 1/4-20 PLT		
9.	804-007C	WASHER FLAT 1/4 SAE PLT	S/N 519924+	
10.	804-036C	WASHER FLAT 5/16 SAE PLT		
11.	805-009C	PIN CLEVIS 5/16 X 2 1/2		
12.	805-010C	PIN HAIR COTTER .094		
13.	805-363C	PIN COTTER 1/8 X 1		
14.	817-690C	SPIN PLATE, SPIN SPREADER		
15.	817-706C	DEFLECTOR SPIN SPREADER	S/N 519924+	
15.	322-116H	RPBY 817-706C	S/N 519923-	
16.	817-707C	HOPPER & LID, SPREADER		
17.	833-411C	MOTOR ELECTRIC, SPIN SPREADER		
18.	833-412C	HARNESS ASSY, SPIN SPREADER		
19.	840-246C	FERT/SEED SPREADER, ATV	Complete less Ref. 1 thru 12 & Item 15	
20.	890-921C	STRAP, RATCHETING TIE DOWN		



# Part Number Index

The Part Number Index is a numeric index of all part numbers included in this manual. The index shows what page(s) the part is used on.

<b>Part Number</b>	<b>Page</b>	<b>Part Number</b>	<b>Page</b>
015300000042	9	804-029C	13
0631188014	9	804-036C	23
15300000042	11	804-171C	13
175-061D	9, 11	805-009C	23
175-061D82	9	805-010C	23
322-017D	7	805-012C	19
322-061D	13	805-035C	7
322-067D	7	805-088C	9, 11
322-067D82	7	805-090C	9, 11
322-077D	7	805-108C	7
322-077D82	7	805-363C	7, 23
322-086S	13, 15	806-201C	15
322-106D	23	812-276C	13
322-106H	7	812-277C	13
322-106H82	7	812-278C	13
322-108H	11	812-279C	13
322-108H82	11	812-280C	13
322-109H	19	814-121C	9, 11
322-110H	7	816-504C	7
322-110H82	7	817-387C	7
322-113H	21	817-690C	23
322-114A	21	817-706C	23
322-115H	21	817-707C	23
322-116H	23	818-230C	17
322-117A	23	818-298C	17
322-119A	19	818-681C	17
322-123H	7	818-719C	17
322-123H82	7	820-349C	13
322-124S	7	822-179C	13
322-232D	11	822-180C	13
322-258S	9, 11	822-181C	13
322-258S82	9, 11	822-221C	21
44324	19	833-271C	19
5181861	9, 11	833-318C	19
631188014	11	833-402C	19
800-001C	9, 11	833-411C	23
800-060C	23	833-412C	23
800-347C	23	838-093C	17
802-005C	7	838-887C	17
802-034C	21	838-936C	17
802-039C	9, 11	838-939C	17
802-106C	13	838-940C	17
802-130C	19	838-967C	17
802-143C	11	840-246C	23
802-162C	7	848-223C	17
802-257C	23	848-238C	17
802-315C	7	890-177C	9, 11
802-392C	7	890-903C	7
802-473C	23	890-921C	23
802-635C	13	dwg23765	13
802-673C	21	dwg23897	7
803-019C	19	dwg23898	15
803-020C	13	dwg23899	9
803-026C	9, 11	dwg23900	21
803-030C	13	dwg23901	23
803-031C	13	dwg23902	17
803-064C	23	dwg23903	19
803-084C	23	dwg25779	11
803-169C	9, 11, 21	TR-412	9, 11
803-202C	23		
803-209C	11		
803-229C	7, 21		
803-255C	7		
803-263C	7, 15		
803-299C	7		
804-007C	7, 23		
804-015C	13		
804-024C	9, 11		
804-025C	9		
804-027C	13		



***This Page Intentionally Left Blank***



Great Plains Manufacturing, Inc.

Corporate Office: P.O. Box 5060  
Salina, Kansas 67402-5060 USA

[www.landpride.com](http://www.landpride.com)

---