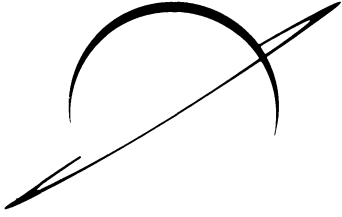


E8



ZANUSSI

CUSTOMER SERVICE
LIBRARY
MASTER COPY

Instructions for the use and care of your ZI 930 tumble dryer

E8

Contents

Technical data

Installation

Location	Page 3
Electrical connection	Page 4

Operation

Sorting and loading the laundry	Page 5
Selecting the drying programmes	Page 6
Starting	Page 7
Stopping	Page 7
Drying programmes	Page 8

Maintenance

Cleaning the filter	Page 9
Cleaning the dampness control sensors	Page 9

Some useful hints	Page 10
-------------------	---------

Something not working	Page 10
-----------------------	---------

Directions for the installer	Page 11
------------------------------	---------

Width	60 cms. (23,6 ins.)
Depth	57 cms. (22,4 ins.)
Height	82 cms. (32,3 ins.)
Capacity	4,5 kg (10 lbs)
Supply voltage	220 - 240 V
Power absorbed:	
- motor	220 W
- ventilator	80 W
- heating element	2380 W
Total power absorbed	2680 W

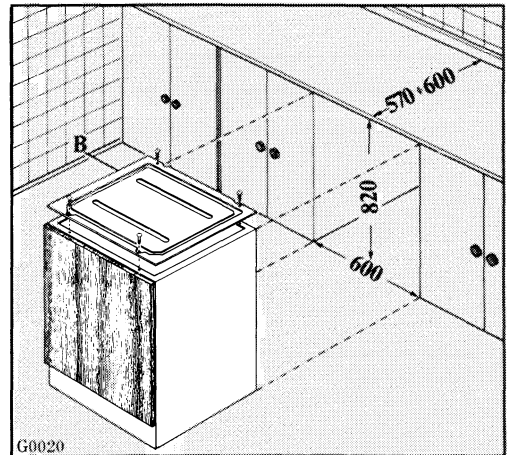


Fig. 1

Installation

Location

Install the appliance in a well ventilated room or having at any rate a window facing directly outside.

This will allow the machine to vent the steam that builds up during operation directly into the outside.

This dryer can be fitted under the work top of a kitchen unit (fig. 1) or stacked on top of a washing machine having front controls (see instructions on page 15).

In this type of installation, it will be absolutely necessary to provide a steam vent on the outside of the kitchen furniture (in a wall or window as shown in fig. 2) by connecting the plastic hose having a 100 - mm diameter to the rear or side steam vent of the machine (see instructions on page 14).

The length of the hose should not exceed 2 metres and the hose itself should not have more than two bends.

Depending on your requirements, the steam vent can be positioned either at the rear or side of the appliance (fig. 3).

The unused outlet should be closed by means of the special cover supplied with the appliance (fig. 4).

Attention

Be absolutely sure not to connect the steam vent to a chimney for the exhaust of fumes from the combustion of a heating system.

The appliance should be carefully levelled by means of the adjustable front feet which make it possible to compensate for any floor unevenness.

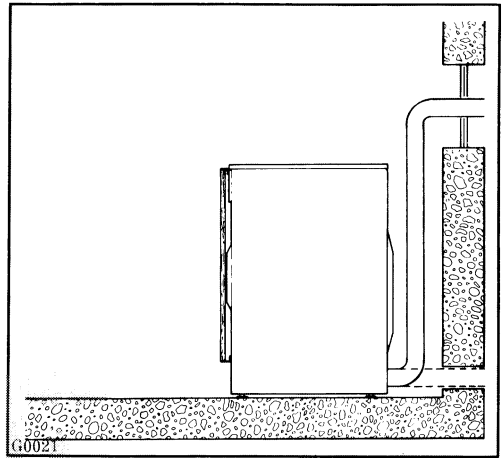


Fig. 2

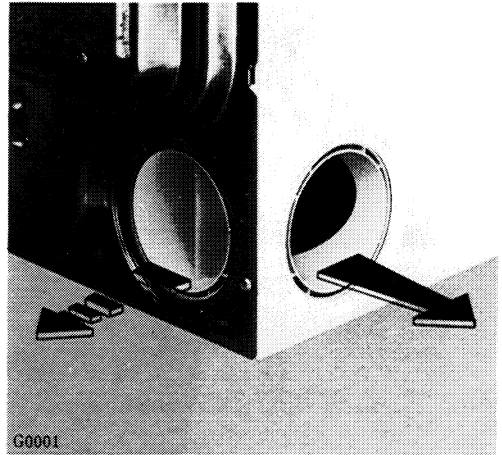


Fig. 3

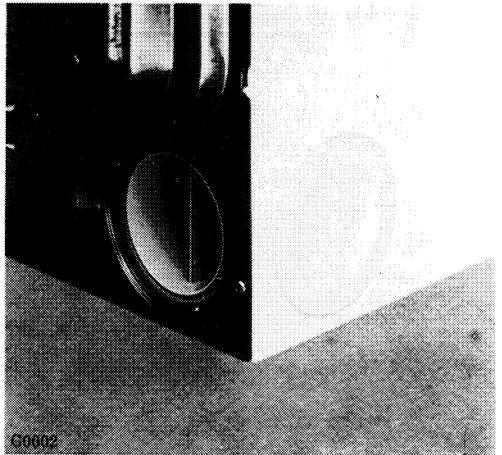


Fig. 4

Electrical connection

**WARNING:
THIS APPLIANCE
MUST BE EARTHED**

The manufacturer declines any liability should this safety measure not be observed.

If the plug that is fitted to your appliance is not suitable for your socket outlet, it must be cut off and the appropriate plug fitted.

The cut off plug should be disposed of to prevent the hazard of electric shocks in case it should be plugged into a 13 Amp socket in another part of your home.

Important

The wires in this mains lead are coloured in accordance with the following code:

**GREEN AND YELLOW - EARTH
BLUE - NEUTRAL
BROWN - LIVE**

If you fit your own plug, the colours of the wires in the mains lead of your appliance may not correspond with the markings identifying the terminals in your plug, this is what you have to do:

Connect the green and yellow (earth) wire to the terminal in the plug which is marked with the letter «E» or the earth symbol \perp or coloured green, or green and yellow.

Connect the blue (neutral) wire to the terminal in the plug which is marked with the letter «N» or coloured black.

Connect the brown (live) wire to the terminal which is marked with the letter «L» or coloured red.

The plug moulded on to the cord incorporates a fuse. For replacement, use a 13 Amp BS 1362 fuse. Only ASTA approved fuses should be used.

The fuse cover/carrier must be replaced in the event of changing fuse.

The right fuse cover/carrier colour is the one shown by the coloured insert at the base of the plug.

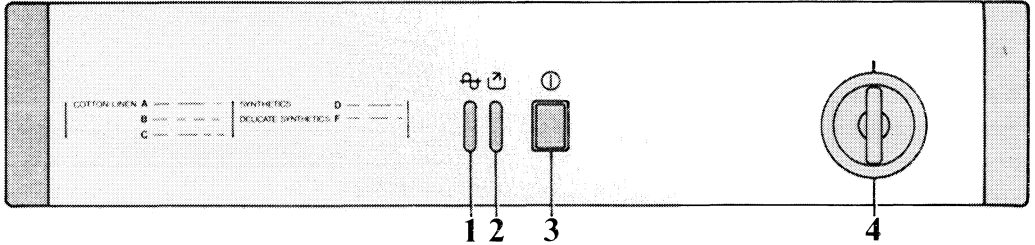
The plug must not be used if the fuse cover/carrier is lost. A replacement cover/carrier must be obtained from Zanussi Service Agents whose addresses are listed on the attached «Zanussi Service Agents Nationwide».

This appliance complies with E.E.C. directive no. 82/499 of 7.6.82 relative to radio interference suppression.

Operation

Control panel

1. Operating pilot lamp
2. "Cycle completion" pilot lamp
3. Start and stop switch
4. Drying time selector

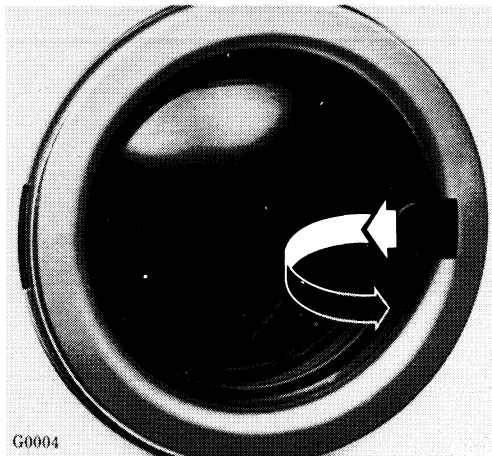


Sorting and loading the laundry

Open the loading door by pulling the small handle to the left and turning it outwards at the same time (fig. 5).

Before using the appliance for the first time, clean the inside of the drum with a piece of cloth slightly soaked in a little alcohol.

Sort the laundry according to type of fabric (this sorting operation will already have been done if you are using a washing machine for your laundering).



G0004

Fig. 5

So all you have to do is to transfer your washed and spin-dried laundry from the drum of the washing machine to the drum of the dryer.

Be sure to load only laundry which was previously spin-dried.

Thoroughly spin-dried laundry makes it possible to shorten the drying times and consequently allows you to save power.

Even delicate or synthetic fabrics should be briefly spin-dried (approx. from 30 to 60 secs. in a washing machine).

By maximum load (10 lbs) of spin-dried laundry are to be understood strong fabrics such as cotton, linen and hemp etc.

In the case of delicate fabrics such as nylon, terylene etc. the load should be reduced (max. 4 lbs) and the same holds for loads consisting primarily of towels and other highly-absorbent articles (max. 5 lbs).

Turn out pockets, close zips and tie up belts and strings in bow knots.

When loading clothes, alternate bigger items (such as bed sheets, table-cloths etc), with smaller items like socks, handkerchiefs etc., if possible.

Close the door firmly so that it clicks.

Important

Only laundry washed in water should be dried with the tumble dryer. In particular, the following fabrics should not be loaded into the dryer:

- Clothes which were dry-cleaned or cleaned with chemical solvents;
- Woollens or mixed woollens which will shrink with heat;
- Extremely delicate fabrics, such as silk and synthetic curtains;
- Sponge rubber items;
- Fiber glass items.

Selecting an electronic control programme

By means of the electronic control circuit incorporated in this machine, drying of the laundry is automatically controlled. All you have to do is to set the programme selector knob onto the letter corresponding to the type of laundry to be dried and to the degree of drying required. To save energy when performing the electronic control programme, it is advisable not to exceed the clothes capacity indicated on the Drying Programme Chart.

Important

It may happen that, under particular circumstances, when drying small quantities of laundry, the electronic control is switched off in advance, thus leaving the laundry damp. In this case, a time-controlled programme should be selected.

Following are the degrees of final drying which can be obtained with the electronic control.

Wardrobe dry

This is suitable for fabrics which can be put away directly into a wardrobe after drying, without ironing (e.g.: hand & bath towels, «non-iron» synthetics etc.).

Ironing dry

This feature ensures a degree of final drying suitable for laundry to be hand ironed as well as for light fabrics to be machine ironed.

Machine ironing dry

This gives a degree of final drying which is ideal for normal laundry to be machine dried or for heavy fabrics to be likewise machine dried.

Selecting the time-controlled programme

In addition to the automatic drying programmes, this appliance also permits selection of a time-controlled programme where the time is set in accordance with one's personal experience.

This programme can be utilized to dry either single items or multilayer fabrics which require a non-uniform drying.

In other words, this programme makes it possible to dry single items and fabrics based strictly on your personal choice, of the drying duration, as an alternative to the preset electronic control programmes. Maximum drying time for this special personal programme is 60 minutes.

However, this can be extended by resetting the control knob as required, i.e.: for an additional time interval, after the original programme is completed.

Please note that during the last 7 minutes of operation the drying function is cut-off in order to carry out a fabric cooling phase, so as to prevent any creasing and rumpling of the fabrics.

At any rate, avoid selecting excessively long drying times to prevent the laundry from becoming too dry and developing a rough feel or to prevent hosiery from shrinking.

Starting the machine

After connecting the machine to the electric supply, proceed as follows:

- Turn the control knob (4) clockwise until the index coincides with the letter of the selected programme (in the case of the personal time-controlled programme, set the index on the required drying time);
Push in the start button (3).

At this point, the operating pilot lamp (1) will light up and the machine starts carrying out the drying cycle.

Stopping the machine

Electronic control programmes: with cycles A-B-C (cotton, linen etc.) and D-F (synthetics), completion of the drying cycle is indicated by the lighting up of «cycle completion» pilot lamp (2) and by a buzzing given off at intervals by a sound signal device.

To prevent creasing and rumpling of fabrics, the tumbler will continue rotating at regular intervals for a number of minutes. During this time interval all laundry should be removed from the machine. You should now depress STOP button (3).

Time controlled personal programme

With this programme, the control knob will automatically move onto the STOP position and will thus stop operation of the machine. The operating pilot lamp (3) will also go out. At any rate, depress the STOP button and then remove the laundry.

All drying programmes can be interrupted at any given moment. All you have to do is to depress the aforementioned button.

The loading door can also be opened at any given time.

In doing so, the machine will stop operating.

After closing again the door, the machine resumes operation and carries out the rest of the programme from where it was interrupted.

Drying programmes

Type of laundry	Degree of drying required	Quantity	Control knob setting
Cotton and linen	Cupboard dry	Max. 10 lbs.	A
	Hand ironing dry	Max. 10 lbs.	B
	Machine ironing dry	Max. 10 lbs.	C
Synthetics	Cupboard dry	Max. 4 lbs.	D
Delicate synthetics	Cupboard dry	Max. 4 lbs.	F
Time-controlled personal programme		—	up to 60 minutes

Maintenance

Cleaning the filter

Incorporated in the lower rim of the porthole is a large-surface filter to trap all fluff that normally develops during the drying cycle.

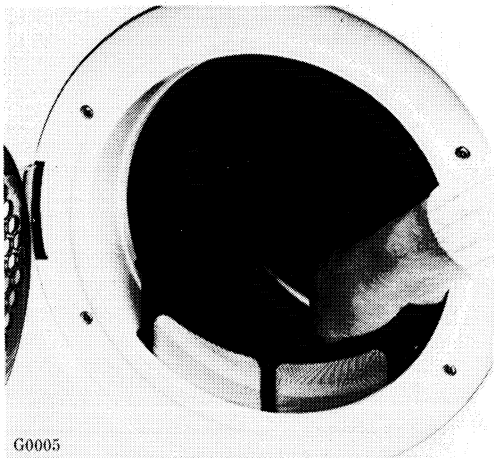
This filter should be cleaned at the end of every drying cycle (fig. 6).

The fluff that accumulates on the walls of the filter is not due to an excessive wear of the fabrics caused by the dryer, but it is due to a perfectly normal wear of the fabrics.

This fluff is usually removed by the air and therefore goes unnoticed during open air drying (such as on the clothes-line), whereas in the dryer it is collected by the filter. Dust and fluff will eventually deposit also in the door openings and in the filter seat. We therefore suggest that you also clean these parts periodically using a normal vacuum cleaner (fig. 7).

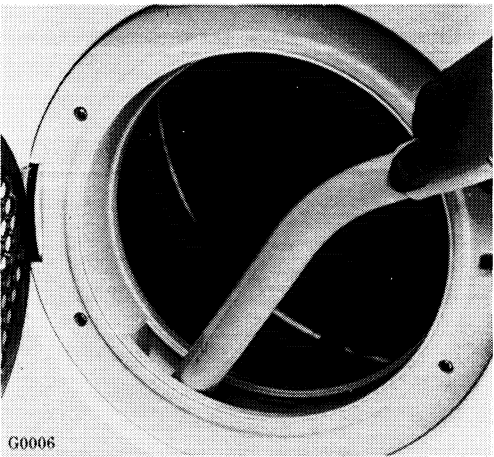
Cleaning the dampness control sensor

The dampness control sensors are located inside the round plastic rim of the porthole. You should clean periodically the entire inner surface of the round rim using a piece of cloth slightly soaked in a little cleaning alcohol (fig. 8).



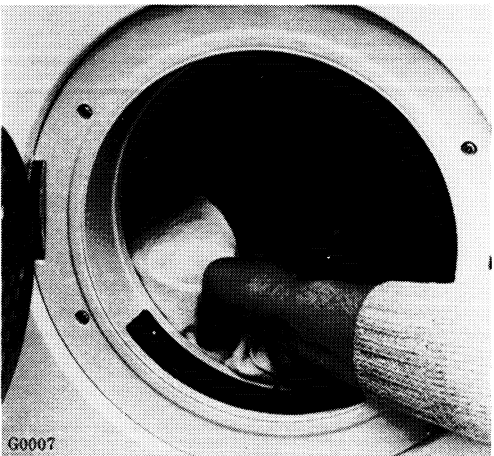
G0005

Fig. 6



G0006

Fig. 7



G0007

Fig. 8

Some useful hints

Table-cloths, bed sheets and similar cotton and linen items should be dried to the point where they are ready for ironing (damp for ironing).

After the laundry is dried to this extent and if ironing is to take place later in the day, we suggest you fold and roll up the laundry to preserve a uniform degree of dampness. This will make it easier to iron the laundry.

To reduce the «cling» on synthetics (static build-up) we suggest you use a fabric conditioner in the wash cycle.

Something not working...

If any malfunction is detected, check the following points in an effort to remove the trouble, if at all possible:

- **The machine will not start:**

Check the following points:

- is the loading door correctly closed;
- is the plug correctly inserted into the wall socket;
- the fuses of the electric installation are not blown.

- **The laundry will not dry or takes too long to dry:**

Check the following points:

- the drum is not overloaded;
- the laundry was actually spin-dried to an adequate degree;
- the fluff filter on the loading door is not clogged;
- the room in which the machine is installed has a sufficient fresh air supply.

- **The machine will not stop despite the laundry having been correctly dried:**

Check that:

- the dampness control sensors are clean.

Directions for the installer

Fixed steam vent installation

Fittings to be used:

Plastic hose with 100 mm dia.

Screw the ring nut (A-fig. 9) on to one end of the hose and insert the assembly into the steam vent connector of the machine.

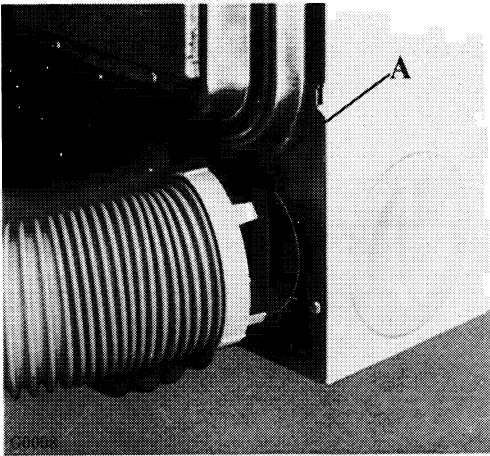


Fig. 9

Stacked installation (kit CN 1)

With washing machine model ZI 959 T following fittings must be used.

For other models instructions have to be requested to IAZ International (UK) Ltd.

- Protection panel;

- Kit including two small blocks, two brackets and the fixing screws.

Remove the protection panel from the washing machine by unscrewing the fixing screws.

Fix protection panel B as shown in fig. 10 and fit the two small plastic blocks C, supplied in the fittings kit, as shown in fig. 11.

Remove from the base of the dryer the 4 levelling feet (2 front adjustable feet and two rear fixed feet).

Install the dryer on top of the washing machine by firmly fitting and securing the small blocks C into the special slits provided for the purpose on the base of the dryer (fig. 11).

Fit the rear brackets (D - fig. 11) to the dryer and secure them to the washing machine by means of the screws that come with the assembly.

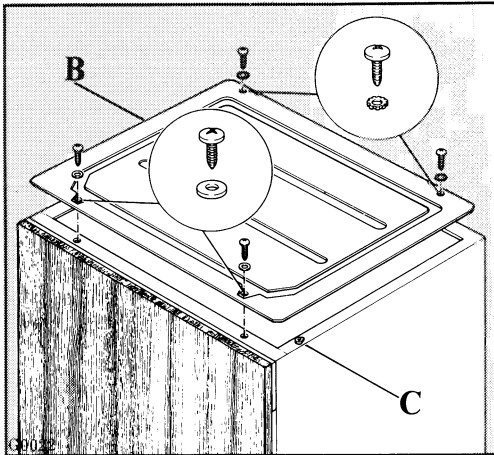


Fig. 10

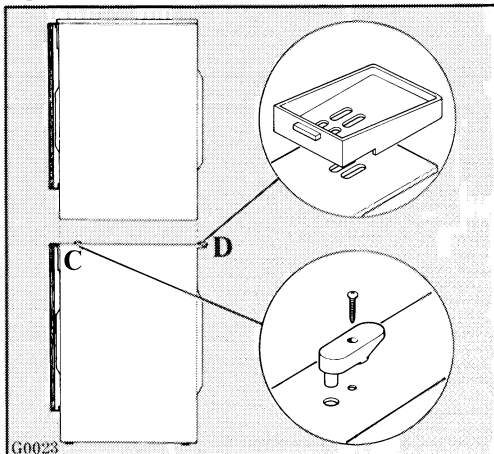


Fig. 11



ZANUSSI STANDARD GUARANTEE CONDITIONS

This guarantee is in addition to your statutory and other legal rights which will not be excluded or in any way diminished by the return of the guarantee card.

We, IAZ International (UK) Ltd, undertake that if, within twelve months (24 months for TV sets) of the date of the purchase, this ZANUSSI appliance or any part thereof is proved to be defective by reason only of faulty workmanship or materials, we will, at our option, repair or replace the same **FREE OF ANY CHARGE** for labour, materials or carriage on condition that:

—The appliance has been correctly installed and used only on the electricity supply stated on the rating plate.

—The appliance has been used for normal domestic purposes only, and in accordance with the manufacturer's operating and maintenance instructions.

—The appliance has not been serviced, maintained, repaired, taken apart or tampered with by any person not authorised by us.

—The appliance is still in the possession of the original purchaser.

All service work under this guarantee must be undertaken by a Zanussi Network Service Centre (or the Zanussi Authorised TV Service Dealer).

Any appliance or defective part replaced shall become our property.

Exclusions

This guarantee does not cover:

—Damage or calls resulting from transportation, improper use or neglect, the replacement of any light bulbs or removable parts of glass or plastic.

—Costs incurred for calls to put right machines improperly installed or calls to machines outside the UK and the Republic of Ireland.

—Appliances found to be in use within a commercial environment, plus those which are the subject of rental agreements.

—Television receivers - routine adjustment, or poor reception resulting from a source outside of the receiver.



ZANUSSI 5 YEAR COVER CONDITIONS

For a once-only payment you can extend your Standard Guarantee to 5 years. All the conditions and exclusions of the Standard Guarantee apply.

Notes

1. Products supplied as "seconds", refurbished, damaged or shop-soiled are not eligible for Zanussi 5 year cover.
2. The issue of a cover does NOT by virtue of our having done so, nullify the exclusions.
3. The Engineer will need to check the details of your Cover card and may make a charge for his services if it is not presented to him at the time of his call.
4. The date of purchase, or the date of initial payment (deposit) of the appliance will be deemed the date of commencement of cover.
5. Covers issued are not refundable or transferable.

ZANUSSI
The appliance of science