

**ZANUSSI**



---

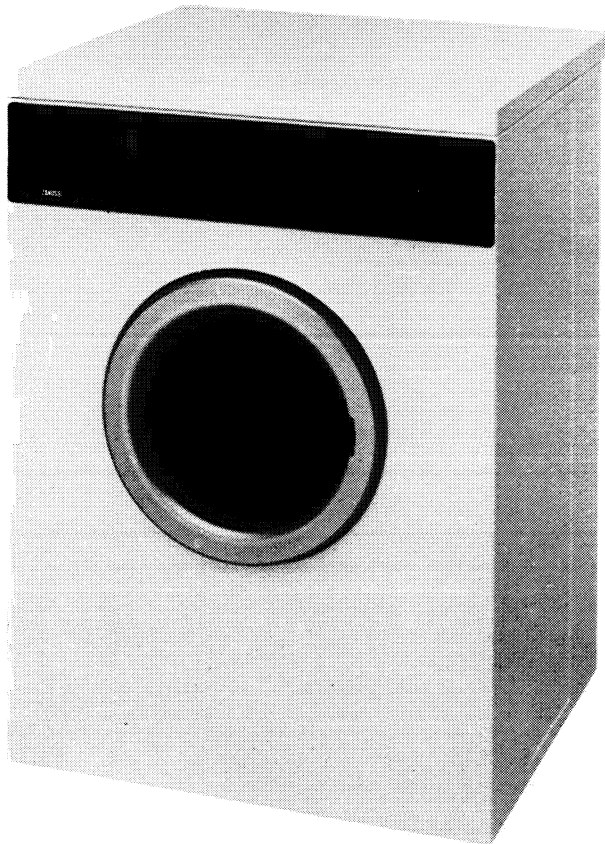
# Instructions for the use and care of your Z930 tumble dryer



# Servicing

Should servicing be required for this appliance contact your local Service Agent but before requesting service the following simple checks may save you inconvenience and expenses:

- Check that the power supply is working (by plugging in another appliance.)
- Check that the fuse has not blown in the plug.
- Check that the door is properly closed and the water taps are turned on.
- Check that the drain filter or water inlets are not blocked.
- Check that the drain hose is properly located and free from kinks and blockages.



# Contents

## Installation

Location	Page	4
Electrical connection	Page	6

## Operation

Sorting and loading the laundry	Page	7
Selecting the drying programmes	Page	8
Starting	Page	9
Stopping	Page	9
Drying programmes	Page	10

## Maintenance

Cleaning the filter	Page	11
Cleaning the dampness control sensors	Page	12
Some useful hints	Page	12

<b>Something not working</b>	Page	13
------------------------------	------	----

<b>Directions for the installer</b>	Page	14
-------------------------------------	------	----

# Technical data

Width	60 cms. (23,6 ins.)
Depth	57 cms. (22,4 ins.)
Height	85 cms. (33,5 ins.)
Capacity	4,5 kg (10 lbs)
Supply voltage	220 - 240 V
Power absorbed:	
- motor	220 W
- ventilator	80 W
- heating element	2380 W
Total power absorbed	2680 W

# Installation

## Location

Install the appliance in a well ventilated room or having at any rate a window facing directly outside.

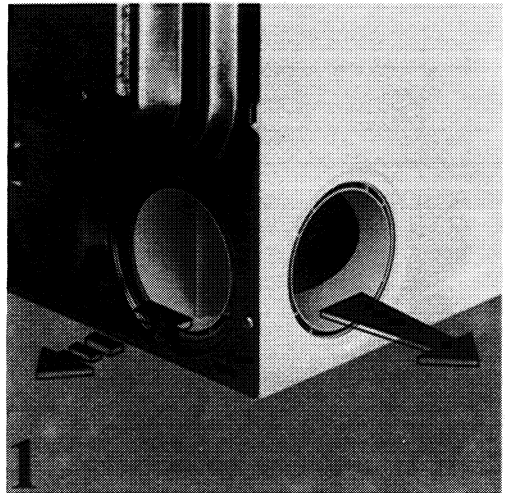
This will allow the machine to vent the steam that builds up during operation directly into the outside.

Depending on your requirements, the steam vent can be positioned either at the rear or side of the appliance (fig. 1).

The unused outlet should be closed by means of the special cover supplied with the appliance (fig. 2).

You may also install a fixed steam outlet (in a wall or window as shown in fig. 3) by connecting the plastic hose having a 100 - mm diameter to the rear or side steam vent of the machine (see instructions on page 14).

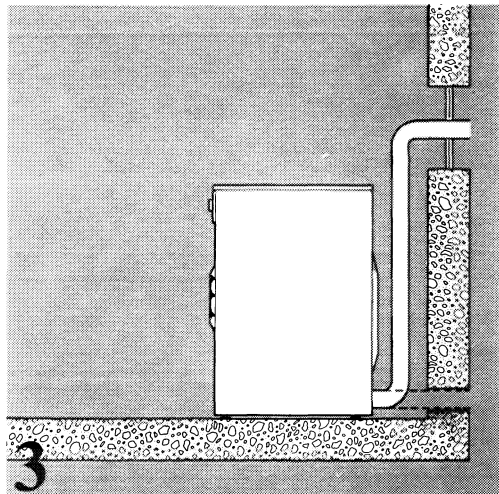
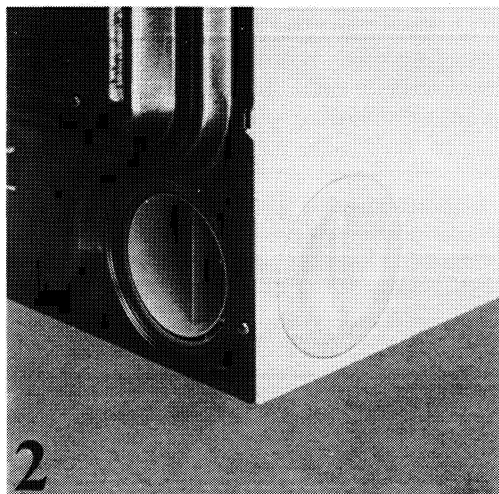
The length of the hose should not exceed 2 metres and the hose itself should not have more than two bends.



## Attention

Be absolutely sure not to connect the steam vent to a chimney for the exhaust of fumes from the combustion of a heating system.

This dryer can also be fitted under the work top of a kitchen unit or stacked on top of a washing machine having front controls (see instructions on page 15). The appliance should be carefully levelled by means of the adjustable front feet which make it possible to compensate for any floor unevenness.



---

# Electrical connection

---

**Warning: this appliance must be earthed.**

**The manufacturer declines to accept any liability should this safety measure not be observed.**

---

## **Important**

The wires in this mains lead are coloured in accordance with the following code:

**GREEN AND YELLOW - EARTH,  
BLUE - NEUTRAL, BROWN - LIVE.**

If you fit your own plug, the colours of the wires in the mains lead of your appliance may not correspond with the markings identifying the terminals in your plug; this is what you have to do:

Connect the green and yellow (earth) wire to the terminal in the plug which is marked with the letter "E" or the earth symbol  $\perp$ , or coloured green, or green and yellow.

Connect the blue (neutral) wire to the terminal in the plug which is marked with the letter "N" or coloured black.

Connect the brown (live) wire to the terminal which is marked with the letter "L" or coloured red.

If the plug is not suitable it must be cut off and the appropriate plug fitted.

The plug moulded on to the cord incorporates a fuse. For replacement, use a 13 Amp BS 1362 fuse. Only ASTA approved fuses should be used. The fuse cover/carrier must be replaced in the event of changing a fuse. The plug must not be used if the fuse cover/carrier is lost. A replacement cover/carrier must be obtained from Zanussi Service Agents whose addresses are listed on the attached "Zanussi Service Agents Nationwide".

This appliance complies with E.E.C. directive No. 76/889 of 4.11.76 relative to radio interference suppression.

---

# Operation



---

## Control panel

- 1 - Start and stop switch
- 2 - Operating pilot lamp
- 3 - "Cycle completion" pilot lamp
- 4 - Sound signal device
- 5 - Drying time selector

---

## Sorting and loading the laundry

Open the loading door by pulling the small handle to the left and turning it outwards at the same time (Fig. 4). Before using the appliance for the first time, clean the inside of the drum with a piece of cloth slightly soaked in a little alcohol.

Sort the laundry according to type of fabric (this sorting operation will already have been done if you are using a washing machine for your laundering). So all you have to do is to transfer your washed and spin-dried laundry from the drum of the washing machine to the drum of the dryer.

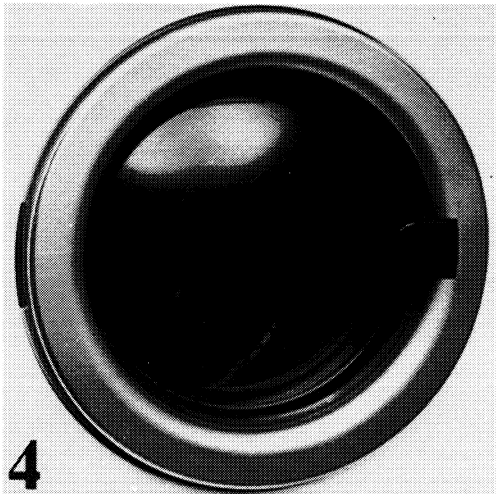
Be sure to load only laundry which was previously spin-dried.

Thoroughly spin-dried laundry makes it possible to shorten the drying times and consequently allows you to save power. Even delicate or synthetic fabrics should be briefly spin-dried (approx. from 30 to 60 secs. in a washing machine). By maximum load (10 lbs) of spin-dried laundry are to be understood strong fabrics such as cotton, linen and hemp etc. In the case of delicate fabrics such as nylon, terylene etc. the load should be reduced (max. 4 lbs) and the same holds for loads consisting primarily of towels and other highly-absorbent articles (max. 5 lbs).

Turn out pockets, close zips and tie up belts and strings in bow knots.

When loading clothes, alternate bigger items (such as bed sheets, table-cloths etc.), with smaller items like socks, handkerchiefs etc., if possible.

Close the door firmly so that it clicks.



---

## Important

The following fabrics should not be loaded into the dryer:

- Clothes which were dry-cleaned or cleaned with chemical solvents;
- Woollens or mixed woollens which will shrink with heat;
- Extremely delicate fabrics, such as silk and synthetic curtains;
- Sponge rubber items;
- Fiber glass items.

4

---

## Selecting an electronic control programme

By means of the electronic control circuit incorporated in this machine, drying of the laundry is automatically controlled. This special feature operates independently of the quantity of laundry loaded in the drum and its dampness. All you have to do is to set the programme selector knob onto the letter corresponding to the type of laundry to be dried and to the degree of drying required.

Following are the degrees of final drying which can be obtained with the electronic control.

### **Cupboard dry**

This is suitable for fabrics which can be put away directly into a wardrobe after drying, without ironing (e.g.: hand & bath towels, "non-iron" synthetics etc.).

### **Ironing dry**

This feature ensures a degree of final drying suitable for laundry to be hand ironed as well as for light fabrics to be machine ironed.

### **Machine ironing dry**

This gives a degree of final drying which is ideal for normal laundry to be machine dried or for heavy fabrics to be likewise machine dried.

---

## Selecting the time-controlled programme

In addition to the automatic drying programmes, this appliance also permits selection of a time-controlled programme where the time is set in accordance with one's personal experience.

This programme can be utilized to dry either single items or multilayer fabrics which require a non-uniform drying. In other words, this programme makes it possible to dry single items and fabrics based strictly on your personal choice, of the drying duration, as an alternative to the preset electronic control programmes. Maximum drying time for this special personal programme is 60 minutes. However, this can be extended by resetting the control knob as required, i.e.: for an additional time interval, after the original programme is completed. Please note that during the last 7 minutes of operation the drying function is cut-off in order to carry out a fabric cooling phase, so as to prevent any creasing and rumpling of the fabrics. At any rate, avoid selecting excessively long drying times to prevent the laundry from becoming too dry and developing a rough feel or to prevent hosiery from shrinking.



---

## Starting the machine

After connecting the machine to the electric supply, proceed as follows:

- Turn the control knob (5) clockwise until the index coincides with the letter of the selected programme (in the case of the personal time-controlled programme, set the index on the required drying time);  
Push in the start button (1).

At this point, the operating pilot lamp (2) will light up and the machine starts carrying out the drying cycle.

## Stopping the machine

**Electronic control programmes:** with cycles A - B - C (cotton, linen etc.), the machine stops automatically at the end of the drying cycle and the operating pilot lamp (2) goes out. You should now depress the stop button (1) and remove the laundry from the drum. With cycles D - F (synthetics), completion of the drying cycle is indicated by the lighting up of "cycle completion" pilot lamp (3) and by a buzzing given off at intervals by the sound signal device (4).

**To prevent creasing and rumpling of fabrics, the tumbler will continue rotating at regular intervals for an additional 20 minutes approx. During this time interval all laundry should be removed from the machine.**

Therefore, depress STOP button (1).

## Time controlled personal programme

With this programme, the control knob will automatically move onto the STOP position and will thus stop operation of the machine. The operating pilot lamp (2) will also go out. At any rate, depress the STOP button and then remove the laundry.

All drying programmes can be interrupted at any given moment. All you have to do is to depress the aforementioned button.

The loading door can also be opened at any given time.

In doing so, the machine will stop operating.

After closing again the door, the machine resumes operation and carries out the rest of the programme from where it was interrupted.

# 5 Drying programmes

Type of laundry	Degree of drying required	Quantity	Control knob setting
Cotton and linen	Cupboard dry	Max. 10 lbs	A
	Hand ironing dry	Max. 10 lbs	B
	Machine ironing dry	Max. 10 lbs	C
Synthetics	Cupboard dry	Max. 4 lbs	D
Delicate synthetics	Cupboard dry	Max. 4 lbs	F
Time-controlled personal programme			up to 60 minutes

# Maintenance

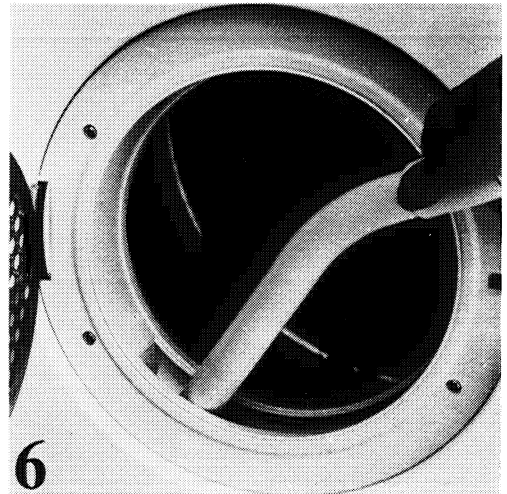
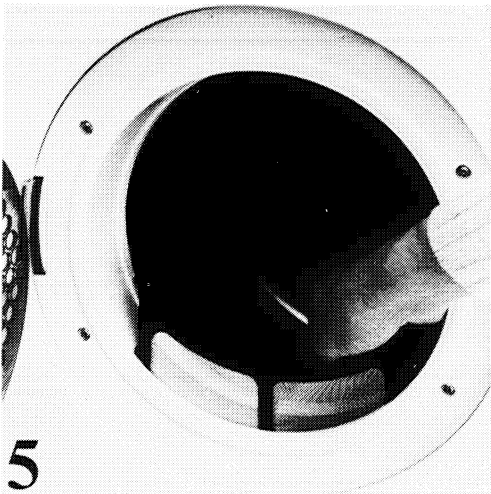
## Cleaning the filter

Incorporated in the lower rim of the porthole is a large-surface filter to trap all fluff that normally develops during the drying cycle.

This filter should be cleaned at the end of every drying cycle (Fig. 5).

The fluff that accumulates on the walls of the filter is not due to an excessive wear of the fabrics caused by the dryer, but it is due to a perfectly normal wear of the fabrics.

This fluff is usually removed by the air and therefore goes unnoticed during open air drying (such as on the clothes-line), whereas in the dryer it is collected by the filter. Dust and fluff will eventually deposit also in the door openings and in the filter seat. We therefore suggest that you also clean these parts periodically using a normal vacuum cleaner (Fig. 6).



---

## **Cleaning the dampness control sensors**

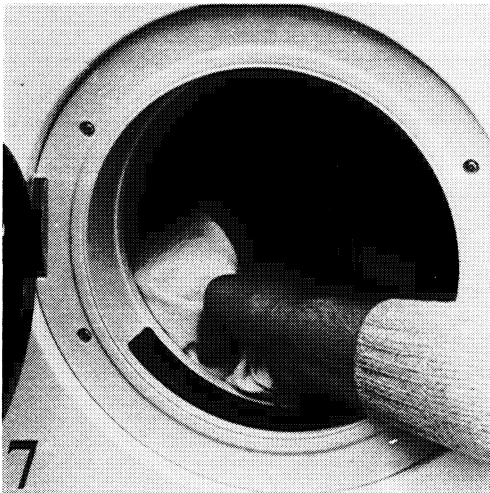
The dampness control sensors are located inside the round plastic rim of the porthole. You should clean periodically the entire inner surface of the round rim using a piece of cloth slightly soaked in a little cleaning alcohol (Fig. 7).

---

## **Some useful hints**

Table-cloths, bed sheets and similar cotton and linen items should be dried to the point where they are ready for ironing (damp for ironing).

After the laundry is dried to this extent and if ironing is to take place later in the day, we suggest you fold and roll up the laundry to preserve a uniform degree of dampness. This will make it easier to iron the laundry.



---

# Something not working...

If any malfunction is detected, check the following points in an effort to remove the trouble, if at all possible:

- **The machine will not start:**

Check the following points:

- is the loading door correctly closed;
- is the plug correctly inserted into the wall socket;
- the fuses of the electric installation are not blown.

- **The laundry will not dry or takes too long to dry:**

Check the following points:

- the drum is not overloaded;
- the laundry was actually spin-dried to an adequate degree;
- the fluff filter on the loading door is not clogged;
- the room in which the machine is installed has a sufficient fresh air supply.

- **The machine will not stop despite the laundry having been correctly dried:**

Check that:

- the dampness control sensors are clean.

# Directions for the installer

## Fixed steam vent installation

Fittings to be used:

- Plastic hose with 100 mm dia.

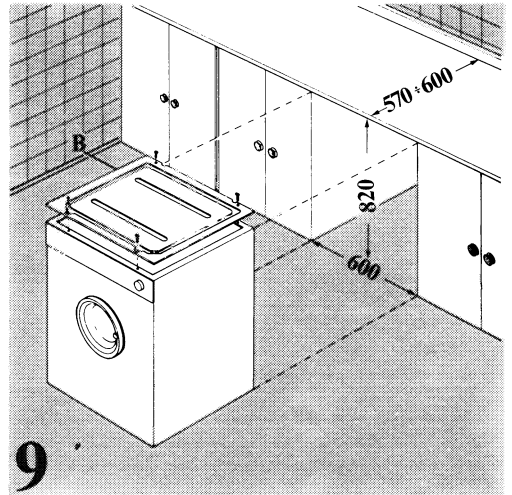
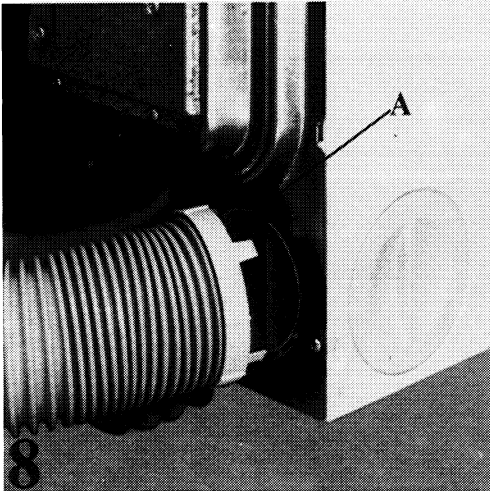
Remove the ring nut (A - Fig. 8) from the exhaust connector of the machine. Screw it on to the end of the hose and refit the resulting assembly to the steam vent connector of the machine.

## Under work top installation

Fittings to be used:

- Protection panel

Remove the work top from the dryer by unscrewing the two rear fixing screws. Fit the protection panel (B) by means of the 4 screws as shown in Fig. 9). In this type of installation, it will be absolutely necessary to provide a steam vent on the outside of the kitchen furniture.



## Stacked installation

With washing machines models  
Z 915 T - Z 918 T - Z 919 T following  
fittings must be used.

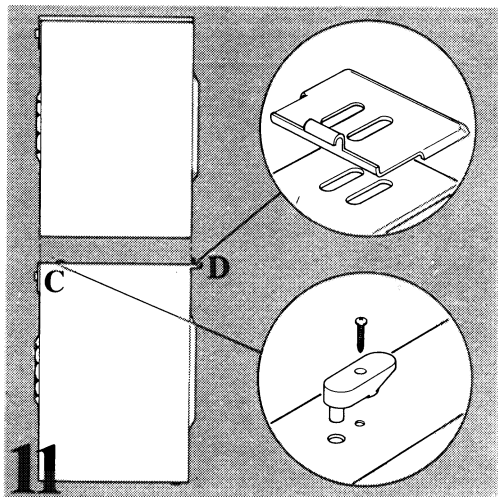
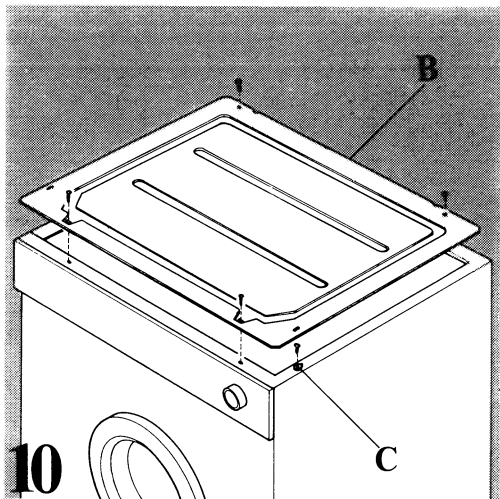
For other models instructions have to be  
requested to IAZ International (UK) Ltd.

- Protection panel;
- Kit including two small blocks, two  
brackets and the fixing screws.

Remove the work top from the washing  
machine by unscrewing the rear fixing  
screws.

Fix protection panel B as shown in Fig.  
10 and replace the two small plastic  
blocks with the two supplied in the  
fittings kit. Remove from the base of the  
dryer the 4 levelling feet (2 front  
adjustable feet and two rear fixed feet).  
Install the dryer on top of the washing  
machine by firmly fitting and securing the  
small blocks C into the special slits  
provided for the purpose on the base of  
the dryer (Fig. 11).

Fit the rear brackets (D - Fig. 11) to the  
dryer and secure them to the washing  
machine by means of the screws that  
come with the assembly.



---

## ZANUSSI GUARANTEE CONDITIONS

This guarantee is in addition to your statutory and other legal rights which will not be excluded or in any way diminished by the return of the enclosed card.

We, IAZ International (UK) Ltd, guarantee that if within twelve months of the date of the purchase, this ZANUSSI appliance or any part thereof is proved to be defective by reason only of faulty workmanship or materials we will at our option repair or replace the same **FREE OF ANY CHARGE** for labour, materials or carriage on condition that:

- The appliance has been correctly installed and used only on the electricity supply stated on rating plate.
- The appliance has been used for normal domestic purposes and in accordance with the manufacturer's operating and maintenance instructions.
- The appliance has not been serviced, maintained, repaired, taken apart or tampered with by any person not authorised by us.

- The appliance is still in the possession of the original purchaser.
- Any appliance or defective part replaced shall become our property.

This guarantee does not cover any damage caused during transportation or the replacement of any light bulbs or removable parts of glass or plastic.

Should you require service on your Zanussi appliance consult the enclosed list of service agents for your nearest Zanussi engineer. If the product is under guarantee then you will be required to produce proof of date of purchase to the engineer.

Please ensure that the enclosed pre-addressed card is stamped, completed in full and forwarded to IAZ International (UK) Ltd, to enable the guarantee to be recorded. Also complete the space below as your own record of the guarantee.

---

## GUARANTEE RECORD

Appliance purchased from \_\_\_\_\_ on \_\_\_\_\_  
Guarantee card no \_\_\_\_\_ Model no \_\_\_\_\_  
Serial no \_\_\_\_\_ (These details may be taken from your Guarantee Record Card)  
Your name \_\_\_\_\_  
Address \_\_\_\_\_  
\_\_\_\_\_  
\_\_\_\_\_