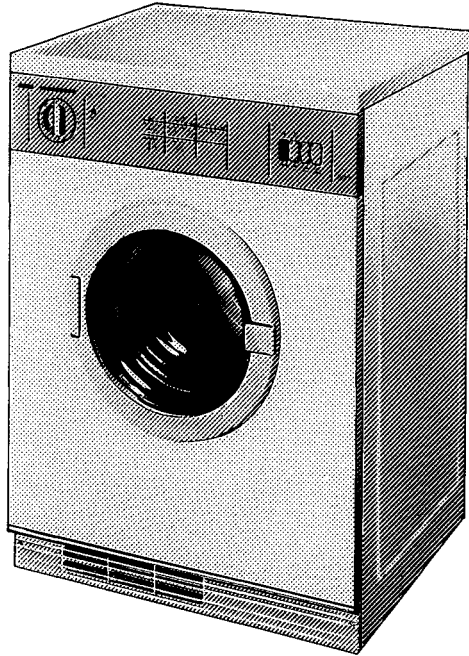


# INSTRUCTION BOOKLET

**READ AND KEEP  
THESE INSTRUCTIONS**



## **SUPERFAST GAS TUMBLE DRYER TG220**

---

# **ZANUSSI**



# WARNING

---

**These warnings are provided in the interest of safety. You must read them carefully before installing or using the appliance.**

- The dryer must be installed by a competent person. In the U.K. CORGI Registered Installers (including Regions of British Gas) undertake to work to safe and satisfactory standards. See Installation Instructions.
- It is dangerous to alter or modify the product in any way, other than fitting authorised accessories.
- This tumble dryer is intended for domestic use only.
- Children should not be allowed to tamper with the controls.
- When drying, a window must be open to let air into the room.
- It is important to clean the lint filter after each drying cycle. Do not use the dryer without the filter.
- Under no circumstances should anything other than the recommended articles be placed in the tumble dryer.
- Do not place articles which have been in contact with dry cleaning fluid or other inflammable substances in the tumble dryer.
- Do not attempt to dry dripping wet articles or items containing foam rubber or rubber-like materials.
- Do not use the tumble dryer if you suspect that it is damaged in any way. Under no circumstances should you attempt to repair the appliance yourself. Repairs carried out by inexperienced persons may cause serious injury.
- The tumble dryer should be serviced by an appointed service organisation e.g. British Gas.

## 1 Positioning

The dryer must not be placed in a garage, bathroom, or shower room.

The dryer can be placed against walls, other appliances, kitchen furniture and similar surfaces.

If the dryer is installed under a working surface then a venting hose must be used.

## 2 Air Supply

For safe operation the room in which the dryer is placed must have a good supply of fresh air. This must include an openable window or equivalent which must always be open during drying, and if the room is less than 10 cubic metres (350 cubic feet) in volume an air vent is also required.

## 3 Gas information

The dryer is connected to the gas supply through a flexible hose with detachable bayonet connection. If it is intended to move the dryer regularly for use, then the installer must fit a restraining cable to avoid possible damage to the connection.

## 4 Before you use the dryer

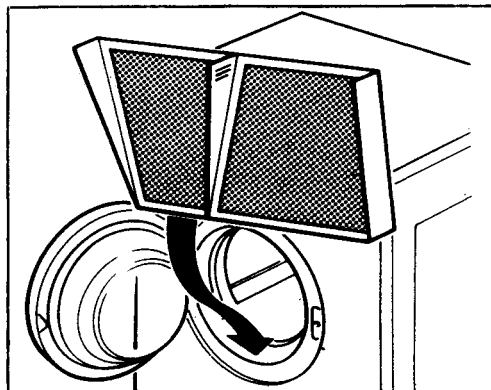
4.1 When drying, a window must be open to admit fresh air into the room even when a venting hose is used.

4.2 We strongly recommend that you should use a venting arrangement to avoid condensation.

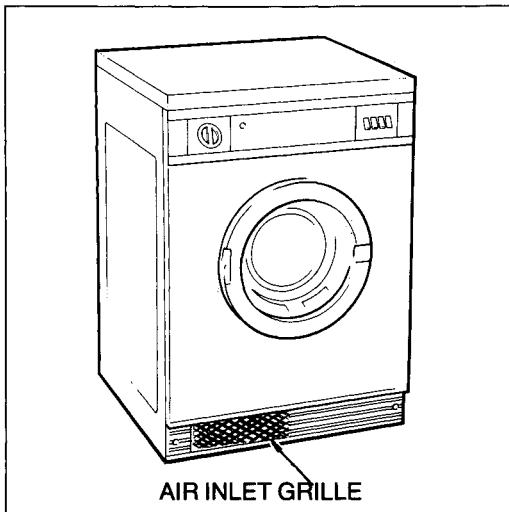
A Rear Venting Hose is supplied free with your dryer, which extends to 2.7 metres (8 ft.). This can be increased to 5.4 metres (16 ft.) by using a second Rear Venting Hose if desired, provided that the hose has no more than 3 right-angled bends.

The Rear Venting Hose and a Wall/Window Vent Kit which enables a permanent venting installation, are available from your dealer.

4.3 Place the filter in its operating position as shown in diagram below.



- 4.4 If you wish to change the side on which your door opens see instructions on page 8.
- 4.5 Remove any dust by wiping the drum and door with a damp cloth. Any initial smell from the heater should disappear after the first period of heating.
- 4.6 Keep the bottom air inlet grille at the front of the dryer clear at all times. It can be cleaned with a vacuum cleaner when the dryer is switched OFF. Do not use the dryer if the grille is damaged.

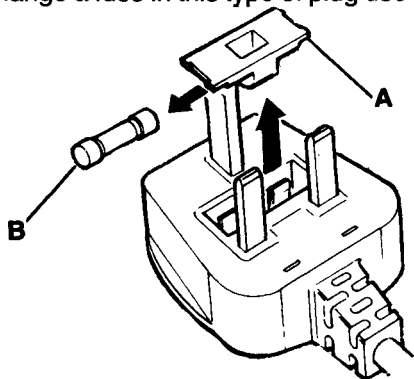


- 4.7 When starting the dryer for the first time, or starting after temporary disconnection from the gas supply, air in the pipes will prevent ignition. To clear this air the dryer must be started by turning the timer clockwise, past the cool-down period, to a setting of at least 30 minutes, run for 1/2 minute, stopped and restarted up to 10 times until continuous burning of the gas is indicated by the neon light on the control panel.

## 5 Electrical information

### **WARNING: THIS APPLIANCE MUST BE EARTHED.**

- 5.1 The mains lead of this appliance is fitted with a BS 1363A 13 amp fused plug. To change a fuse in this type of plug use an A.S.T.A. approved fuse to BS1362 type.



1. Remove the fuse cover (A) and fuse (B)
2. Fit replacement 13A fuse into fuse cover
3. Refit both into plug

**IMPORTANT:** The fuse cover must be refitted when changing a fuse and if the fuse cover is lost the plug must not be used until a correct replacement is fitted.

Correct replacements are identified by the colour insert or the colour embossed in words on the base of the plug. They are available from most electrical retail shops.

- 5.2 If the fitted plug is not suitable for your socket outlet, then it should be cut off and disposed of in order to avoid a possible shock hazard should it be inserted into a 13A socket elsewhere. A suitable alternative plug should then be fitted to the cable.

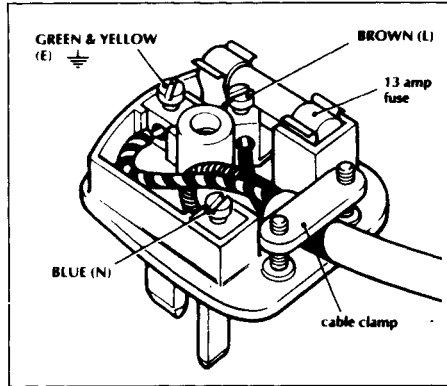
### 5.3 HOW TO CONNECT AN ALTERNATIVE PLUG.

The wires in this mains lead are coloured in accordance with the following code:—

BLUE — “NEUTRAL” (“N”)

BROWN — “LIVE” (“L”)

GREEN AND YELLOW — “EARTH” (“E”)

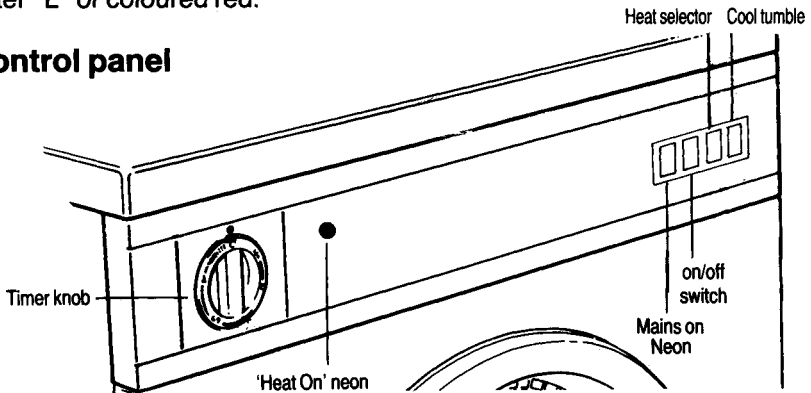


The GREEN AND YELLOW wire must be connected to the terminal in the plug which is marked with the letter “E” or by the Earth symbol  $\equiv$  or coloured green or green and yellow.

The BLUE wire must be connected to the terminal marked with the letter “N” or coloured black.

The BROWN wire must be connected to the terminal which is marked with the letter “L” or coloured red.

## 6 Control panel






- 6.1 **The timer.** Select the drying time from the recommendations shown on the control panel. Turn the timer knob clockwise until the setting required appears at the top.
- 6.2 **The heater neon.** Shows that gas is heating the machine.
- 6.3 **The mains on neon.** Shows that the mains electrical supply is on.
- 6.4 **The mains on/off switch.** Controls the electrical supply to the machine.
- 6.5 **The heat switch.** Select full or half heat as recommended on the control panel.
- 6.6 **Cool tumble switch.** Allows the dryer to operate without heating.

## 7 Operation

- 7.1 Roll dripping wet articles in a towel to remove excess water.  
Sort out the clothes into groups of similar fabrics and colours. Check the care label inside the garment.  
We suggest that a fabric conditioner be used to reduce static electricity.  
Delicate articles e.g. tights should be placed inside a pillowcase.  
It is better to dry small and large articles together.
- 7.2 Open the door.  
Load clothes loosely into the drum.  
Load sheets first starting with one corner.
- 7.3 Close the door.  
Check that the timer is in the 'I' position.  
Check that the dryer is connected to both gas and electricity.
- 7.4 Select correct heat position (see programme chart on fascia panel).  
Set the timer to the correct position (see programme chart on fascia panel).  
The drum will now begin to rotate and stop when the timer automatically reaches the 'I' position.  
Should the clothes become dry before the cycle has finished the sensor dry thermostat will automatically switch off the heater and prevent overdrying and save energy although the drum will still rotate.
- 7.5 When drying large items such as sheets, we suggest you stop the dryer occasionally to redistribute the load.  
To stop the machine during the middle of the programme simply open the door; the drum will stop rotating automatically and restart when you close the door.  
To lengthen or shorten the programme, turn the timer knob.
- 7.6 After removing the dried clothes clean the filter as follows:
- Pull the filter upwards.
  - Remove any thread or fluff by hand or with a soft brush.
  - Slide the filter back.
  - Wash the filter occasionally in detergent solution and with a soft brush remove small particles.

## 8 Care labels you may find on your fabrics

|   |                            |
|---|----------------------------|
|  | 'Tumble drying beneficial' |
|  | 'Do not tumble dry'        |
|  | 'Dry flat'                 |

## 9 Don'ts

Do not — Overload the dryer.

Do not — Dry articles singly as they tend to roll up and so increase drying time.

Do not — Dry woollen or wool mixture articles unless the article is labelled as suitable.

Do not — Allow the lint filter or the venting hose (if fitted) to become blocked.

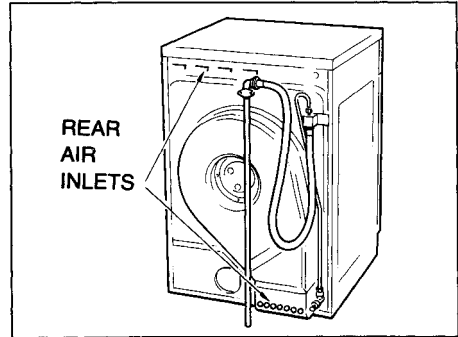
Do not — Allow fluff to accumulate around the tumble dryer.

Do not — Allow floor level air intake to become obstructed.

## 10 Any problems?

If the clothes are not dry after normal drying time:

- See section 10 of the Installation/ Service instructions.
- Ensure that the front inlet grille and the rear air inlets (shown on diagram) are clear of obstructions.
- Check that the filter is clean.
- Check that you have used the correct heat setting.
- Check that you have not set the timer within the cool-down period.
- Check that the venting hose is not blocked (sometimes a strong wind may cause a back pressure). Air blockage will operate the gas safety control. Switch the machine off, wait 1-minute, and switch on to restore heating. If the problem persists then call a service engineer.



If your dryer does not work check the following before calling a service engineer:

- Check that there is a supply of gas and electricity.
- Check that the machine is switched on and the door properly closed.
- Check the plug internal connections and fuse.



## 11 Optional extras

A comprehensive range of accessories are available from your dealer/retailer to cater for varying installations, they are:

- 11.1 **Venting Hose** to remove the hot wet air from the dryer and prevent condensation inside the house.
- 11.2 **Wall/Window Vent Kit** to make a permanent installation through a wall or window.
- 11.3 **Stacking Kit** to enable your dryer to be secured onto the top of a front loading washing machine to save floor space.
- 11.4 **Restraining Kit** to prevent damage to the gas connection if the dryer is frequently moved.

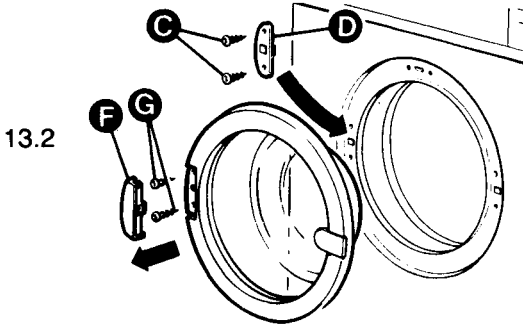
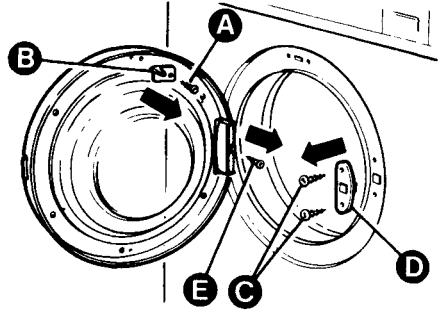
## 12 Technical Data:

- 12.1 Overall dimensions:    height 85 cm    width 59.5 cm    depth 57 cm.
- 12.2 Maximum dry weight of cotton, linen 4.5 kg.
- 12.3 For electrical and gas ratings see plate on rear of machine.
- 12.4 This product is manufactured to comply with the radio interference requirements of the Council directive 82/499/EEC.
- 12.5 When requiring service, or accessories, please quote the model number and the serial number which are on the label fastened to the cabinet, behind the door.

### 13 To change door to right hand

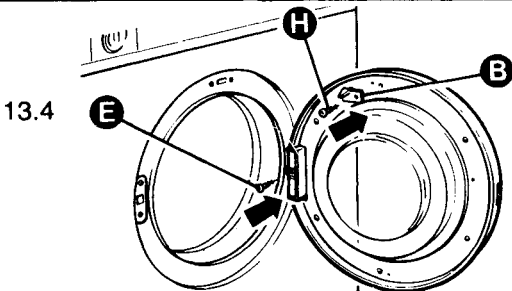
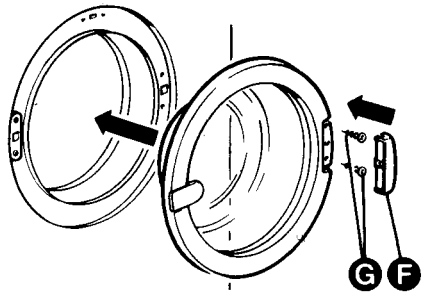
Your dryer is fitted with a reversible door. To change the direction of opening proceed as follows:

- 13.1 Open the door. Undo screw (A) remove switch strike (B) and replace screw. Remove screws (C) and latch plate (D). Remove hinge cover screw (E). Close the door.



Pull the hinge cover (F) forwards to remove it. Remove two outer screws (G). Remove door. Fit latch plate (D) with screws (C).

- 13.3 Reverse door and fit to dryer in closed position. Refit screws (G) and hinge cover (F). Open the door.



Fit screw (E) to secure hinge cover. Remove screw (H) at top of door and refit switch strike (B) as shown.



# **ZANUSSI**

**The appliance of science**

Zanussi Ltd., Zanussi House, Newbury

The information in this manual is correct at the time of going to press  
Zanussi reserve the right to alter specifications without notice.