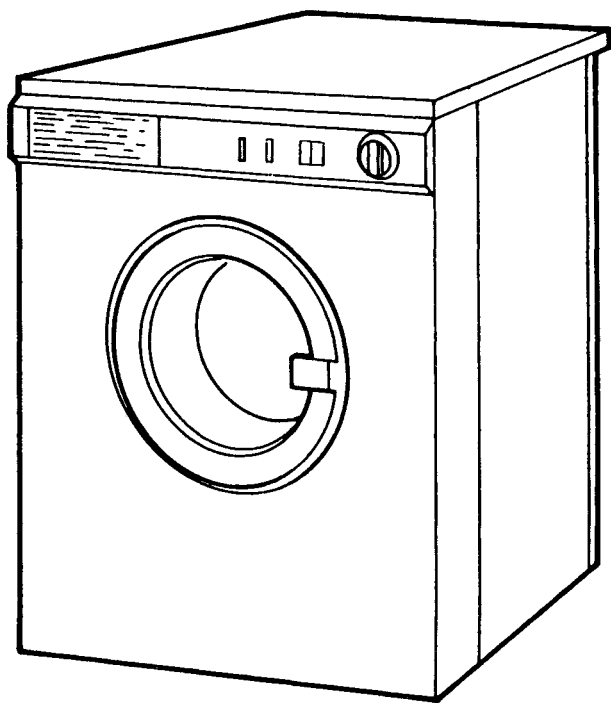


INSTRUCTION BOOKLET

**READ AND KEEP
THESE INSTRUCTIONS**



**TUMBLE DRYER
TD260**

ZANUSSI

CONTENTS

Page	3	Warnings
Page	4	The control panel
Page	6	Your machine
Page	7	Instructions for the installer
Page	10	Use of controls
Page	11	Drying times
Page	12	Drying 4 kg (9 lb) of cotton
Page	13	Drying 2 kg (4.5 lb) of synthetics
Page	14	Hints for successful drying
Page	15	Maintenance
Page	16	Servicing
Page	18	Zanussi guarantee conditions
Page	19	5 year cover

TECHNICAL SPECIFICATIONS

DIMENSIONS AND WEIGHT

Height	85 cm
Width	60 cm
Depth	57 cm
Weight	30 kg

ELECTRICAL CONNECTION

Voltage	240 V
Maximum power absorbed	2650 W

DRYING CAPACITY

Cotton, linen	4.5 kg
Synthetics, delicate fabrics	2 kg

WARNINGS

It is most important that this instruction book should be retained with the appliance for future reference. Should the appliance be sold or transferred to another owner, or should you move house and leave the appliance, always ensure that the book is supplied with the appliance in order that the new owner can be acquainted with the functioning of the appliance and the relevant warnings.

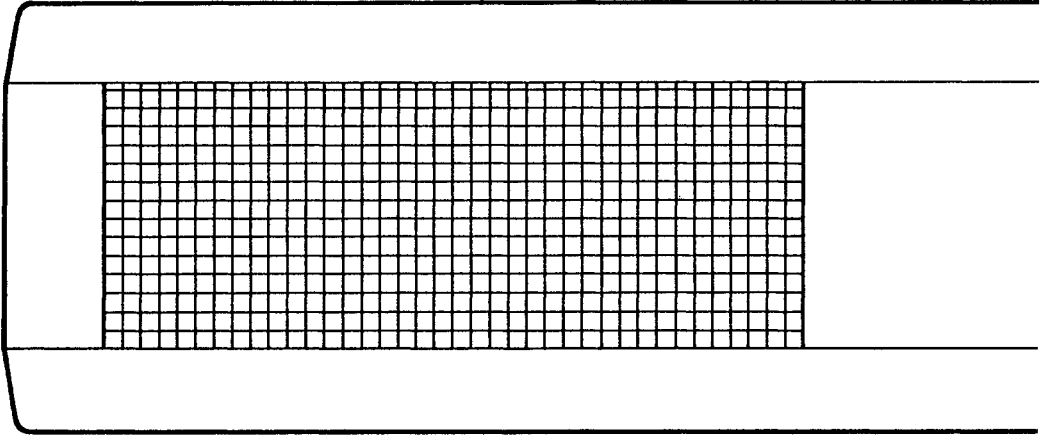
THESE WARNINGS ARE PROVIDED IN THE INTEREST OF SAFETY. YOU MUST READ THEM CAREFULLY BEFORE INSTALLING OR USING THE APPLIANCE.

- ▲ Always switch off and unplug appliance after use.
 - ▲ Any electrical work required to install this appliance should be carried out by a qualified electrician or competent person.
 - ▲ This appliance is designed to be operated by adults. Children should not be allowed to tamper with the controls or play with the product.
 - ▲ This product should be serviced by an Authorized Zanussi Network Service Centre, and only genuine Zanussi spare parts should be used.
 - ▲ It is dangerous to alter the specifications or modify this product in any way.
 - ▲ Care must be taken to ensure that the appliance does not stand on the electrical supply cable.
 - ▲ Do not overload the appliance.
 - ▲ Never tumble dry items that have had contact with chemicals such as dry cleaning fluid. These are of a volatile nature and could cause an explosion.
 - ▲ The door becomes very hot during the drying cycle. Keep children away from the appliance when it is in operation.
 - ▲ Leave the porthole door slightly ajar when not in use to preserve the door seal.
 - ▲ Fluff filters must be cleaned after every use.
 - ▲ Do not operate the appliance with a damaged filter or with no filter at all, as this may cause a fire.
 - ▲ Zanussi tumble dryers are designed to be vented through to the open air. The appliance should have its own ventilation system which should not be joined with any other ventilation system connected to any other appliance.
 - ▲ In order to prevent the appliance from overheating, it is important that the condensation vents are not obstructed.
 - ▲ Pets or children have been known to climb into tumble dryers. Check your drum before use.
 - ▲ The users should always check that they have not left their gas lighters (disposable or otherwise) in their clothing.
 - ▲ Under no circumstances should you attempt to repair the machine yourself. Repairs carried out by inexperienced persons may cause injury or more serious malfunctioning. Refer to your local Zanussi Service Centre. Always insist on genuine Zanussi spare parts.
-

THE CONTROL PANEL

Keep this page open while reading the booklet

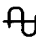
1




- | | |
|------------------------------------|----------------------------------|
| 1 Programme chart | 4 On/Off switch |
| 2 Pilot light «Power» | 5 Cool Tumble switch |
| 3 Pilot light «Cool Tumble» | 6 Programme selector dial |

SYMBOLS


Symbols provided on the control panel have the following meaning:

 Pilot light «Power»

 On/Off switch

HIGH = Cotton and linen

LOW = Synthetic fabrics

 Cooling phase

2

3

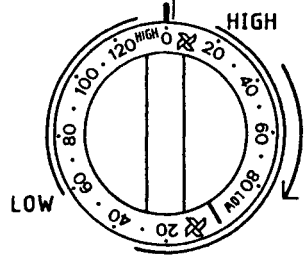
4

5

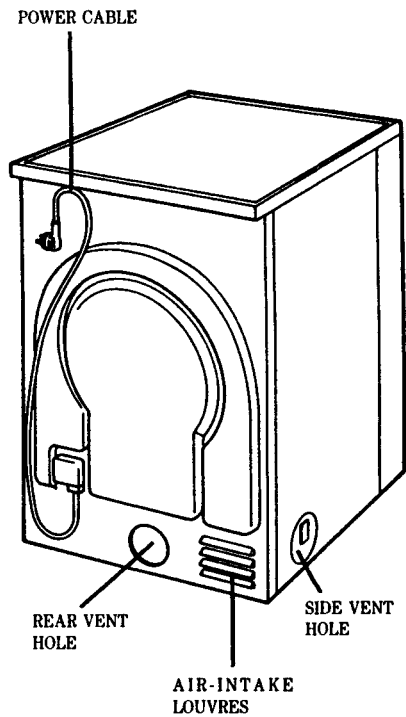
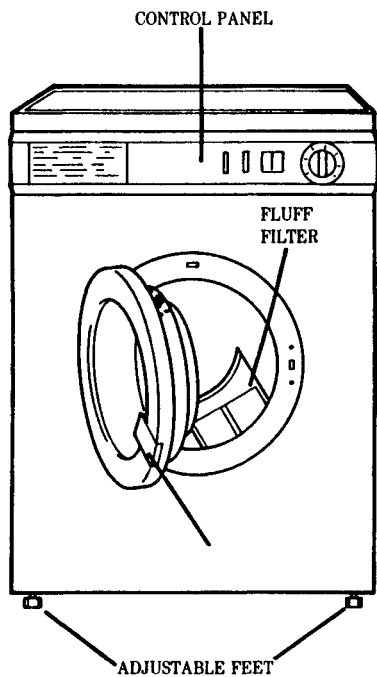
6

⌘

⓪



YOUR MACHINE

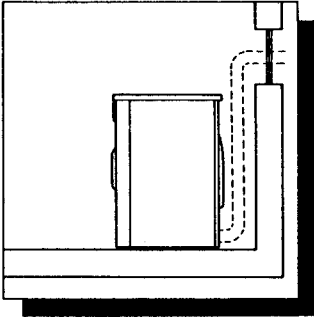


INSTRUCTIONS FOR THE INSTALLER

1

Install the appliance in a well ventilated room or close to a window since, whilst drying, the tumble dryer will expel a certain amount of moist air.

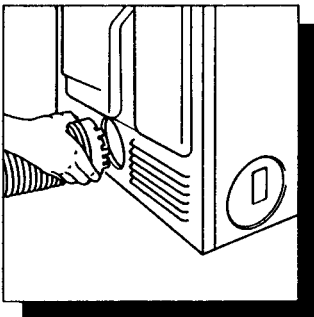
Room temperature must not exceed 35°C.



2

Condensation may be discharged either through a vent outlet provided at the back or through the side vent outlet.

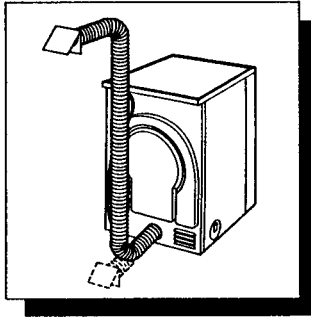
The unused outlets must be covered with the cover provided for such a purpose.



3

With the special plastic flexible tube (vent hose), available on request by your local dealer, you may discharge condensation directly outdoors.

The length of the vent hose must not be more than 2 m and it must not contain more than two bends when it is placed in position for operation.



4

It is absolutely essential not to connect the flexible vent hose to, for example, a chimney or flue pipe designed to carry the exhaust from a fuel burning heating appliance.

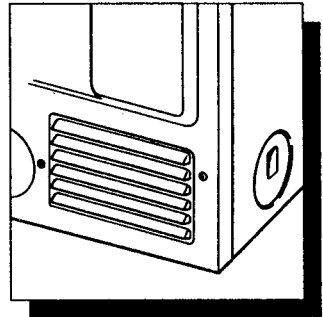
The capacity of the venting circuit must be at least 150 m³/h.



5

The tumble dryer must be installed in a clean place, where dirt does not build up.

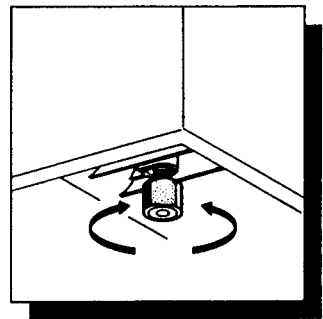
Make sure there are no obstructing items or materials near the air-intake louvres provided at the back (such as for example paper, rags, etc.).



6

Level the tumble dryer into place by screwing or unscrewing the front feet as required.

Accurate levelling will keep vibration and noise to a minimum when the dryer is in use.



INSTRUCTIONS FOR THE INSTALLER

7

THE ELECTRICAL CONNECTIONS

WARNING

This appliance must be earthed-

The manufacturer declines any liability should this safety measure not be observed.

If the plug that is fitted to your appliance is not suitable for your socket outlet, it must be cut off and the appropriate plug fitted.

The cut off plug should be disposed of to prevent the hazard of electric shocks in case it should be plugged into a 13 Amp socket in another part of your home.

Important

The wires in this mains lead are coloured in accordance with the following code:

GREEN AND YELLOW	- EARTH
BLUE	- NEUTRAL
BROWN	- LIVE

If you fit your own plug, the colours of the wires in the mains lead of your appliance may not correspond with the markings identifying the terminals in your plug, this is what you have to do:

Connect the green and yellow (earth) wire to the terminal in the plug which is marked with the letter «E» or coloured green, or green and yellow.

Connect the blue (neutral) wire to the terminal in the plug which is marked with the letter «N» or coloured black.

Connect the brown (live) wire to the terminal which is marked with the letter «L» or coloured red.

The plug moulded on to the cord incorporates a fuse. For replacement, use a 13 Amp BS 1362 fuse.

Only ASTA approved fuses should be used.

The fuse cover/carrier must be replaced in the event of changing fuse.

The right fuse cover/carrier colour is the one shown by the coloured insert at base of the plug.

The plug must not be used if the fuse cover/carrier is lost.

A replacement cover/carrier must be obtained from Zanussi Service Agents whose addresses are listed on the attached «Service and Spares Nationwide».

In addition, avoid connecting the dryer to the same socket as your washing machine (or any other appliance) by means of an adaptor.

Have an extra socket installed if necessary by a qualified electrician.

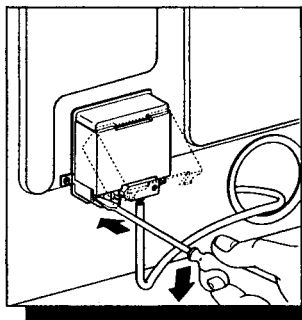
This appliance complies with E.E.C. directive no. 87/308 of 2.6.87 relative to radio interference suppression.

ELECTRIC CABLE REPLACEMENT

If necessary, the electric cable can be replaced.

Unplug the appliance.

The terminal board is located at the back of the appliance and is easily accessible.



Depress with a screwdriver the two tongues of the terminal board lid, lift it, unscrew the screw fixing the cable, unscrew the terminals and replace the cable.

NOTE

Installation and, in particular, connection to the electric mains and to the discharge vent must be carried out by competent personnel or qualified technicians.

Please ensure that when the appliance is installed it is easily accessible for the engineer in the event of a breakdown.

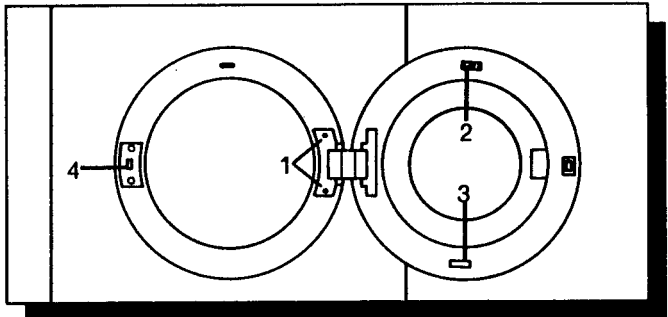
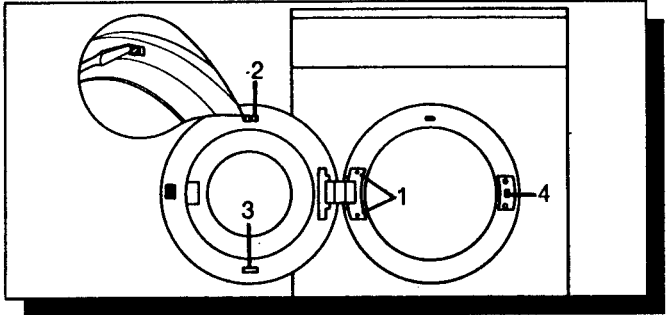
DOOR REVERSAL

This operation must be carried out by qualified personnel.

To make it easier to load or unload the laundry the door can be reversed.

To do this operate as follows:

- Remove the door by unscrewing the two screws (1) fastening the hinge to the cabinet.
- Remove the safety pin (2) by bending the two fastening tags.
- Remove the block (3) by bending the two fastening tags.
- Refit the safety pin (2) and block (3) on the opposite sides of the door, making sure they are accurately engaged.
- Remove the plastic plate (4) by unscrewing the two fastening screws.
- Refit the plastic plate (4) on the opposite side.
- Refit the door by screwing in the two screws (1) which fasten the door to the cabinet.



USE OF CONTROLS

To obtain the best drying results it is essential to get to know the controls and how to use them properly.

1

PROGRAMME CHART

This will help you to select the correct time for drying.

2

PILOT LIGHT «POWER»

It lights up when the on/off switch is depressed and goes out when it is pressed again.

3

PILOT LIGHT «COOL TUMBLE»

It lights up when the cool tumble switch is depressed and goes out when it is pressed again.

4

ON/OFF SWITCH

Before using the machine, depress the on/off switch.

5

COOL TUMBLE SWITCH

By depressing this switch the heat is cut off.

This is particularly useful to freshen the laundry (e.g. to remove a persistent odour of moth-balls).

6

PROGRAMME SELECTOR DIAL

The selector dial is marked with times in minutes corresponding with those on the chart (page 11).

To set the machine to the selected time, turn the dial clockwise until the time you want coincides exactly with the pointer.

The selector incorporates two drying cycles, one of up to 120 minutes at a high temperature for natural fabrics, and one of up to 80 minutes at a low temperature for synthetic fabrics.

Never attempt to turn the dial in an anticlockwise direction.

STARTING

THE TUMBLE DRYER

Load the damp laundry and then, before starting the appliance, carry out following checks:

- The mains switch is on.
- The vent hose, if you have one, is in position.
- The door is properly closed.


Select the drying time by turning the selector dial clockwise to the required time (see chart on page 11).

Switch on the on/off switch, the pilot light «power» will then come on and the machine will start.

STOPPING

THE TUMBLE DRYER

The machine will automatically complete the selected time.

Depress the on/off switch , open the door, and unload the laundry.

If necessary, you may interrupt dryer operation by depressing the on/of switch.

DRYING TIMES

This dryer has two drying times of up to 120 and 80 minutes, giving a high or low heat according to the fabric type.

This can be extended when the original programme is completed, by resetting the control knob for a further period of drying.

It is better to select a time which is too short and then set the dial for a further period if necessary.

Select the drying time according to your experience.

The programme guide is designed to help you.

Remember that during the last 8 minutes of the operation the heat is cut off in order to carry out a fabric cooling phase, which prevents any creasing or crumpling of the fabrics.

DRYING TIMES

COTTON AND LINEN

Selector dial: Up to 120 minutes (high temperature)

Degree of drying required	Degree of spin/drying given	Quantity	Selector dial setting
Store dry	500 rpm	10 lb (4.5 kg)	80 to 100 mins
		5 lb (2.25 kg)	50 to 60 mins
	800 to 1000 rpm	10 lb (4.5 kg)	65 to 85 mins
		5 lb (2.25 kg)	45 to 55 mins
Iron dry	500 rpm	10 lb (4.5 kg)	65 to 85 mins
		5 lb (2.25 kg)	45 to 55 mins
	800 to 100 rpm	10 lb (4.5 kg)	45 to 65 mins
		5 lb (2.25 kg)	30 to 40 mins

SYNTHETICS

Selector dial: Up to 80 minutes (low temperature)

Degree of drying required	Degree of spin/drying given	Quantity	Selector dial setting
Store dry	Short spin dry	4 lb (1.75 kg)	45 to 55 mins
		2 lb (0.9 kg)	30 to 35 mins
		1 lb (0.5 kg)	20 to 25 mins

If the laundry is spin-dried in a washing machine at less than 500 rpm the residual dampness will be higher and consequently the drying time should be increased.

This applies particularly to laundry consisting primarily of towels.

If the laundry is spin-dried at more than 1000 rpm, the residual dampness will be lower and consequently the drying time should be decreased.

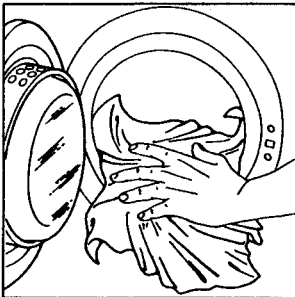
DRYING 4 KG (9 lb) OF COTTON

You have for example just machine-washed and spun at 1000 rpm 4 kg (9 lb) of laundry.

They are cotton fabrics of medium weight which you want to iron as soon as they are dried.

1

LOAD THE LAUNDRY

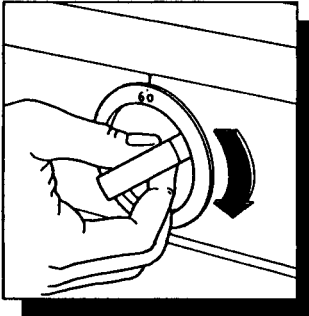


Open the door by pulling the handle outwards.

Load the items you have to dry one at a time, shaking them out loosely and close the door.

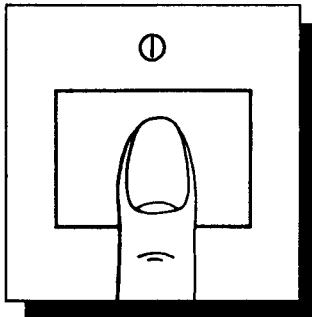
2

SELECT TIME AND START THE MACHINE



Following indications given in the drying times chart, turn the selector dial clockwise on the 60 mins setting (in the «up to 120 mins» section - high temp.).

Switch on the on/off switch. The pilot light «power» lights up and the dryer starts to work.



3

WHEN DRYING IS COMPLETED

When the laundry is completely dry, the dryer stops automatically.

Depress the on/off switch, the pilot light «power» goes out.

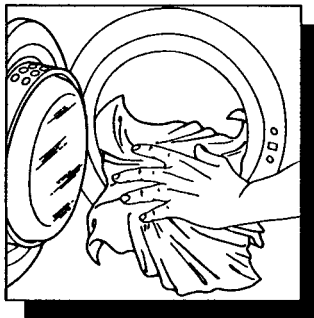
If the laundry is still too damp, select a further brief drying time, bearing in mind that during the 8 last minutes the dryer carries out the cooling and anticrease treatment phase.

DRYING 2 KG (4.5 lb) OF SYNTHETICS

You have for example just machine-washed and briefly spun 2 kg (4.5 lb) of synthetics which do not need ironing.

1

LOAD THE LAUNDRY

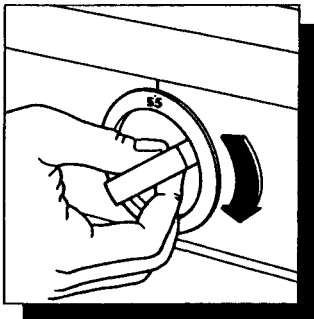


Open the door by pulling the handle outwards.

Load the items you have to dry one at a time, shaking them out loosely and close the door.

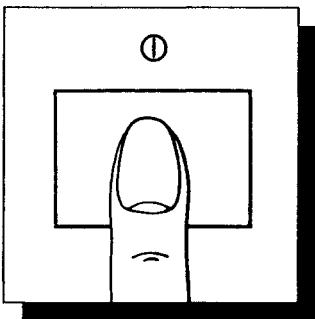
2

SELECT TIME AND START THE MACHINE



Following indications given in the drying times chart, turn the selector dial clockwise on the 55 mins setting (in the «up to 80 mins» section - low temp.).

Switch on the on/off switch. The pilot light «power» lights up and the dryer starts to work.



3

WHEN DRYING IS COMPLETED

When the laundry is completely dry, the dryer stops automatically.

Depress the on/off switch, the pilot light «power» goes out.

If the laundry is still too damp, select a further brief drying time, bearing in mind that during the 8 last minutes the dryer carries out the cooling and anticrease treatment phase.

HINTS ON DRYING

● Do not overload the dryer. During the first times you're using the dryer weigh the laundry loads.

Here is a list of the average weights of the more common laundry items according to an approximate basis.

Sheet	700 to 1000 gr
Pillowcase	100 to 200 gr
Tablecloth	400 to 500 gr
Table napkin	50 to 100 gr
Kitchen towel	70 to 120 gr
Linen hand towel	100 to 150 gr
Sponge hand towel	150 to 250 gr
Sponge bath towel	700 to 1000 gr
Bathrobe	1000 to 1500 gr
Shirt	200 to 300 gr
Apron	150 to 200 gr

● However, the best and most economical load is the maximum indicated for the different types of fabric.

● Always load well spun laundry. The higher the spin speed the lower is electric energy consumption and the shorter is the drying time.

● Do not leave the damp laundry load in a heap too long before drying.


● Sort the laundry out: Separate synthetics from cotton and linen and dry them separately.


● Close poppers and zips and fasten any buttons found loose.


● Do not use the tumble dryer to dry the following:

- Dry-cleaned fabrics or fabrics cleaned with chemical solvents.
- Woollen garments and those manufactured from synthetic/wool mixtures of the heat-shrinkable type.
- Very delicate articles such as silk and curtains made of synthetic material.
- Foam-rubber articles.
- Fibre-glass articles.

● In some cases, labels on articles may also be of help.

 Vigorous drying

 Delicate drying

 Do not tumble dry

● Avoid drying dark clothes with light coloured fluffy items such as towels as they could attract the fluff.

● If you overdry the laundry, besides wasting energy, any subsequent ironing may become more difficult because the fabric could be heavily crumpled.

● Remove the laundry when the dryer has finished drying.

● To avoid a static charge when drying is completed, use either a fabric softener when you are washing the laundry or a fabric conditioner specifically for tumble dryers.

● When you have ultimated tumble drying do not forget to clean the filter. If the filter is dirty, drying times are increased considerably and consequently energy consumption is also increased.

MAINTENANCE

IMPORTANT

You are advised to unplug the appliance before all cleaning and maintenance operations.

EXTERNAL CLEANING

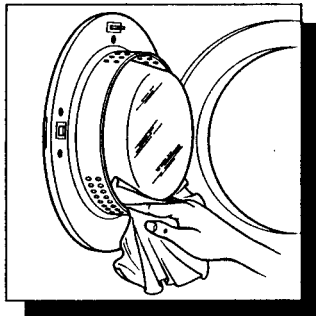
Use only soap and water and then dry thoroughly.

From time to time, apply a little wax furniture cream with a soft cloth.

CLEANING THE DOOR

Clean periodically the interior part of the door to eliminate any fluff.

Only an accurate cleaning ensures a correct drying.



CLEANING

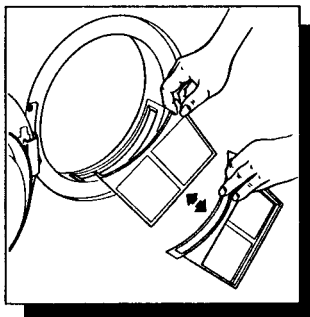
THE FILTER

Your dryer will only function well if the filter is clean.

The filter collects all the «fluff» which accumulates during drying and it must therefore be removed and cleaned at the end of each programme.

The filter is composed of two parts to facilitate cleaning.

It is perfectly normal for fluff to accumulate in the filter during drying. In fact, even fabrics dried in the open air lose their fibres, but we do not notice it.



SERVICING

In some cases, functional problems may be due to lack of basic maintenance or to incorrect procedures when starting the machine and, in such cases, may be easily solved without the need for a service call.

■ PROBLEM	● CAUSE	▶ SOLUTION
■ THE DRYER DOES NOT START	● The door is open	▶ Close the door
	● The plug is not fitted into the wall socket	▶ Fit the plug into the wall socket
	● There is no electric supply from the wall socket	▶ Have the fuse replaced if it has blown ▶ Contact a qualified electrician
	● The programme selector dial is not set correctly	▶ Turn the dial to the time required
	● The On/Off switch has not been switched on (pilot light «power» is off)	▶ Press the On/Off switch (pilot light «power» lights up)
■ THE DRYER DOES NOT DRY PROPERLY	● The filter is clogged	▶ Clean the filter after each drying operation
	● Insufficient drying time	▶ Carry out an extra drying phase
	● Excessive laundry load	▶ Reduce the laundry load
	● The dryer is not correctly installed	▶ Check to see installation is in accordance with instructions (see pages 7 and 8). In particular, check efficiency of air-intake louvres and of the condensation vents.

If, after the above checks, there is still a fault, call your nearest Zanussi Service Force Centre, whose address and telephone number can be found on the following pages.

Please make sure you give the model and serial number of the appliance. This information can be found on

the rating plate, or on the guarantee certificate.

Original spare parts can be purchased from Zanussi Service Force Centres.

In-guarantee customers should ensure that the above checks have been made as the engineer will make a charge if the fault is not a mechanical or electrical breakdown.

Please note that proof of purchase is required for any in-guarantee service calls.

**How to find the telephone number of
your
Zanussi Service Force
listed in this leaflet**

Zanussi Service areas are allocated by postcodes which are listed in alphabetical order for easy reference.

1. Look for the two letters of your address postcode in the far left 'Postcode' column.
2. Match up the number of your postcode against the number listed in the 'Postcode Numbers' column.
3. Look across the column to the Service Force Key Number for your area. Turn to the last page of this directory for the address and telephone number to contact for service which is listed against your key number.

If you are unsure of your postcode, the main towns and cities are listed in alphabetical order for easy reference.

Additionally, your local Zanussi Service Force Centre telephone number is listed under 'Z' in your telephone directory.

The Customer Care Department at Zanussi House, Hambridge Road, Newbury, RG14 5EP, Tel: 0635 521313, will be happy to help you with any queries or difficulties.



Post-code Letter	Town	Post-code Number	Service Force Key Number	Post-code Letter	Town	Post-code Number	Service Force Key Number
AB	Aberdeen	1-5	1	DG	Dumfries	1-7, 10-12	34
AL	St Albans	1-10	2	DG		13-14	35
A	Brecon	45	3	DG		8-9	36
BA	Bath	1-5, 11-15	4	DH	Durham	1-9	37
BA		7-10, 20-22	5	DL	Darlington	1-17	37
BA		6, 16	6	DN	Doncaster	1-7, 10-12, 22	33
BB	Blackburn	1-12	7	DN		14	38
BD	Bradford	1-23	8	DN	Doncaster	8-9, 15-21, 31-40	39
BD		24	7	SUB POSTCODE DIVISION			
BH	Bournemouth	1-18, 21-25	9	DN	Gainsborough		
BH		19-20	10		South	21-1, 21-2, 21-5	40
BL	Bury	0-9	11	DN	Gainsborough		
BN	Brighton	1-9, 11-15,	12		North	21-3, 21-4	39
BN		20-27	12	DT	Dorchester	1-6, 10-11	10
BN		16-18	13	DT		6-9	5
BR	Bromley	1-8	14	SUB POSTCODE DIVISION			
BS	Bristol	1-28, 98-99	15	DT	Bridport East	6-3, 6-4	10
BT	Belfast	1-82	16	DT	Bridport West	6-5, 6-6	5
B	Birmingham	1-21, 25-33,	17	DY	Dudley	1-6, 8-9	17
B		38, 40, 45, 47-	17	DY		7, 10-14	41
B		48, 62-71	17	EC	London	All EC Codes	28
B	Birmingham	23-24, 34-37,	18	EH	Edinburgh	1-42, 52-54	42
B		42-44, 46, 72-	18	EH		43-46	35
B		79	18	EH	Edinburgh	47-49, 51, 55	43
B	Birmingham	49-50, 60-61,	19	EN	Enfield	1-11	28
B		80, 96-98	19	EX	Exeter	1-17, 20	45
B	Birmingham	95	20	EX		18-23, 31-39	46
CA	Carlisle	1-16, 18-28	21	E	London	All East Codes	28
CA		17	7	FK	Falkirk	1-4	43
CB	Cambridge	1-8	22	FK		10-14, 18-19	32
CB		9-11	23	FK	Falkirk	5-9, 15-17	47
CF	Cardiff	1-8, 31-48	3	FK		20-21	31
CH	Chester	1-4	24	FY	Fleetwood	0-8	7
CH		5-7	25	GCI	Guernsey		48
CH		8	26	GL	Gloucester	1-8, 10-19,	49
CM	Chelmsford	0-6, 8-9, 11-15	27	GL		50-56	49
CM		7	23	GL		9	15
CM	Chelmsford	16-24	28	GL		20	19
CO	Colchester	1-16	23	GU	Guildford	1-24, 26, 34-35	50
CR	Croyden	0, 2-4, 9	29	GU		25	51
CT	Canterbury	1-21	14	GU	Guildford	27-33	13
CV	Coventry	1-13, 21-23, 31-	20	G	Glasgow	1-5, 11-15, 20-23,	47
CV		35, 37	20	G		31-34, 40-46, 51-	47
CV		36	19	G	Glasgow	53, 58, 60-69, 73,	47
CW	Crewe	1-12	30	G		76-78, 81-84	47
DA	Dartford	1-18	14	G	Glasgow	71-72, 74-75	43
DD	Dundee	1-5, 7-11	31	HA	Harrow	0-9	52
DD		6	32				
DE	Derby	1-7, 13-15, 55	33				
DE		11-12	20				

Post-code Letter	Town	Postcode Number	Service Force Key Number	Post-code Letter	Town	Postcode Number	Service Force Key Number
HD	Huddersfield	1-8	8	ME	Medway	1-20, 99	14
HG	Harrogate	1-5	8	MK	Milton Keynes	1-17, 19, 40-46	22
HP	Hemel	1-3	2	MK		18	65
HP	Hempstead	4-23	53	ML	Motherwell	1-12	43
HR	Hereford	1-2, 4, 6-9	49	M	Manchester	1-35, 60	11
HR		3, 5	54	NE	Newcastle-on-Tyne		
HU	Hull	1-20, 55	38			1-49, 61-70, 88	66
HX	Halifax	1-7	8	NE		98-99	66
IG	Ilford	1-11	28	NE		71	35
IOM	Isle of Man		55	NG	Nottingham	1-23, 25	33
IP	Ipswich	1-15, 30-31	56	NG		24	40
IP		16-27	57	NG	Nottingham	31-34	64
IP	Ipswich	28-29, 32-33	22	NN	Northampton	1-7, 11-12	67
IV	Inverness	1-24, 26, 30-36,	58	NN		8-10, 14-18	22
IV		40-49, 51-56	58	NN	Northampton	13	65
IV	Inverness	25, 27-28	59	NP	Newport	1-9, 44	3
JCI	Jersey		60	NR	Norwich	1-35	57
KA	Kilmarnock	1-26, 28-30	43	NW	London	All NW Codes	52
KA		27	61	N	London	All N Codes	28
KT	Kingston-on-Thames			OL	Oldham	1-12, 15-16	11
		1-23	51	OL		13-14	7
KT		24	50	OX	Oxford	1-17	65
KW	Wick	1-14	59	PA	Paisley	1-4	47
KW		15-17	62	PA		5-19	43
KY	Kirkcaldy	1-16	32	PA	Paisley	20-27, 33, 35, 40-	68
LA	Lancaster	1-23	7	PA		49	68
LD	Llandrindod	1-8	54	PA		28-31	69
LD		3	3	PA	Paisley	32, 34, 36-39, 61	70
LE	Leicester	1-5, 7-8, 11-14,	63	PA		62-78	68
LE		16-17	63	PA	Paisley	80-82, 88	71
LE	Leicester	6, 9-10	20	PA		83-87	72
LE		15	64	PE	Peterborough	1-15, 34, 38	64
LL	Llandudno	11-15	25	PE		16-19	22
LL		16-19	26	PE	Peterborough	20-25	40
LL	Llandudno	20-21, 23, 27, 31-	25	PE		30-33, 35-37	57
LL		32, 34-40, 42-47	25	PH	Perth	1-2, 8-9, 10-18	31
LL	Llandudno	22, 24-26, 28-30,	26	PH		3-7	32
LL		33-34, 41, 48-49,	26	PH	Perth	19-26, 30-44	58
LL		51-78	26	PL	Plymouth	1-21	73
LN	Lincoln	1-6, 8-10	40	PL		22-35	74
LN		7, 11-13	39	PO	Portsmouth	1-22	13
				PO		30-41	75
				PR	Preston	1-9	7
SUB POSTCODE DIVISION				RG	Reading	1-17, 26	53
LN	Lincoln	3-4, 3-5	40	RG		21-25, 27	50
LN		3-6	39	RG	Reading	28	4
LS	Leeds	1-29	8	RH	Redhill	1-3, 6-7, 9-20	12
LU	Luton	1-6	2	RH		4-5	50
LU		7	22	RH	Redhill	8	29
L	Liverpool	1-49, 60-70	24	RM	Romford	1-5, 7, 10-18	27

Post-code Letter	Town	Postcode Number	Service Force Key Number	Post-code Letter	Town	Postcode Number	Service Force Key Number
RM	Romford	6, 8-9	28	TS	Stockton-on-		
SA	Swansea	1-20, 31-32	3		Tees	1-29	37
SA		33-39, 41-44, 61-73	76	TW	Twickenham	1-20	51
SA	Swansea	40, 45-48	77	UB	Uxbridge	1-10	52
SE	London	All SE Codes	29	WA	Warrington	1-5, 8-9, 10-15	11
SG	Stevenage	1-9, 11, 15	2	WA		6-7	24
SG		10, 12-14	28	WA	Warrington	16	30
SG	Stevenage	16-19	22	WC	London	All WC Codes	52
SK	Stockport	1-3, 6-12	30	WD	Watford	1-2, 4-7	2
SK		4-5, 13-16	11	WD		3	53
SK	Stockport	17	33	WF	Wakefield	1-17	8
SL	Slough	1-10	53	WN	Wigan	1-5, 7	11
SM	Sutton	1-3, 7	51	WN		6, 8	24
SM		4-6	29	WR	Worcester	1-14	19
SN	Swindon	1-8, 11-16	65	WR		15	41
SN		9-10	4	WS	Walsall	1-15	18
SO	Southampton	1, 4, 41-43, 51	9	WV	Wolverhampton	1-4, 10-14	18
SO		2-3, 5, 21-24, 52	13	WV		5-9, 15-16	41
SO	Southampton	20	4	W	London	All West Codes	52
SP	Salisbury	1-5, 9-11	4	YO	York	1-3, 5, 7-8	8
SP		6	9	YO		4, 6, 11-18, 25	38
SP	Salisbury	7-8	10	YO	York	21-22	37
SR	Sunderland	1-7, 9	66	ZE	Lerwick	1,3	79
SR		8	37	ZE		2	80
SS	Southend-on-						
	Sea	0-9, 11-17, 99	27				
ST	Stoke-on-						
	Trent	1-18, 20-21	30				
ST		19	18				
SW	London	All SW Codes	52				
		Except 2, 9, 16					
SW	London	2, 9, 16	29				
SY	Shrewsbury	1-6, 9-17, 18-22	25				
SY		7, 17-19	54				
SY	Shrewsbury	8	41				
SY		23-25	77				
S	Sheffield	1-19, 30-31, 40-45,	33				
S		60-66, 74, 80-81	33				
S	Sheffield	70-73, 75	8				
TA	Taunton	1-11, 21-24	6				
TA		12-20	5				
TD	Selkirk	1-15	35				
TF	Telford	1-8, 10-13	41				
TF		9	30				
TN	Tonbridge	1-2, 4, 8-18, 23-30	14				
TN		3, 5-7, 19-22, 31-40	12				
TQ	Torquay	1-6, 9, 12-13	78				
TQ		7-8	73				
TQ		14	45				
TR	Truro	1-27	74				

Service Force Key Number	Service Force Address	Telephone Number	Service Force Key Number	Service Force Address	Telephone Number
1	60 Commerce Street, Aberdeen, AB2 1BP or Tel:	0224 583949 0224 582704	41	1 Underhill Street, Bridgnorth, Salop, WV16 4BB	0746 763322
2	Unit 4, Riverside Est, Coldharbour Ln, Harpenden	05827 461909	42	38 Buccleuch Street, Dalkeith, Midlothian, EH22	031 663 7758
3	3 Pentwyn Road, Blackwood, Gwent, Sth Wales	0495 223151	43	Block 2 Unit 5, Auchendraith Ind. Est. Rosendale Way, Blantyre	0698 828145
4	31 St Andrews Road, Benerton, Salisbury, SP2	0722 336072	45	91 Exeter Road, Exmouth, Devon, EX8 1QD	0395 263531
5	31 East Street, Crewkerne, Somerset, TA18	0460 72740	46	3 Bear St, Barnstaple, North Devon, EX32	0271 71774
6	80 Killigrew Street, Falmouth, Cornwall, TR11	0984 31858	47	Unit E6C Anniesland Ind. Est. Netherton Rd, Glasgow, Scotland	041 954 5304
7	333 Ranglet Road, Walton Summit, Preston, PR5	0772 321200		or Tel:	041 954 5349
8	7 Crown Street, Leeds, Yorks, LS2	0532 460992	48	Blencathra, Saumarez Lane, Castel, Guernsey	0481 56854
9	63 Curzon Road, Bournemouth, BH1 4PW	0202 303363	49	134 Eastgate Street, Gloucester, GL1 1QT	0452 422488
10	Poundbury Road, Dorchester, Dorset, DT1 2PJ	0305 264951	50	Unit 1 Redfields Ind. Pk, Church Crookham, Fleet	0252 851414
11	Unit 41/42 Clarendon Ct, Winwick Quay, Wton	0925 50822	51	127 Walton Road, Molesey, Surrey, KT8 0DT	01 979 6366
12	Sydney House, Queens Road, Haywards Heath	0444 417656		or Tel:	01 979 7962
13	266 Main Road, Southbourne, Emsworth, PO10	0243 374814	52	27 Christchurch Ind. Est. Forward Drive, Harrow	01 427 4247
	or Tel:	0243 371170	53	Reform Road, Maidenhead, Berkshire	0628 783711
14	Bridgewood Hse, 8 Laker Road, Rochester, ME1	0634 201441	54	Merion House, High Street, Llandrindod Wells	0597 4842
	or Tel:	0689 61444	55	Tromode Wks, Cronkbourne Vill, Douglas, I.O.M.	0624 76066
15	89 Stoke Croft Road, Bristol, Avon, BS1 3RD	0272 246271	56	Unit 2b, Elton Park Business Centre, Hadleigh Rd, Ipswich, IP2 0DQ	0473 211713
	or Tel:	0272 246378	57	75 Grove Road, Norwich, NR1 3RL	0603 629653
16	Owenmore Hse, Kilwee Ind. Est., Upper Dunmurry Lane, Belfast	0232 301121	58	Unit 3B3, Smithton Ind. Est. Smithton, Inverness	0463 791822
17	66 Birch Rd East, Wyreley Rd Ind. Est, B'ham	021 327 1671	59	Main Street, Golspie, Sutherland, KW10 6RA	040 833517
18	Unit 3 Sterling Park, Claymore, Tarnworth	0827 289800	60	P.O.Box 45, Queens Road, St Helier, Jersey	0534 67001
	or Tel:	0827 289822	61	Bruach, Blackwaterfoot, Isle of Arran	077 086 246
19	7a Lower Leys, Evesham, Worcester, WR11	0386 443489	62	Hatson Ind. Estate, Kirkwall, Orkney	0856 5457
20	Unit 3, Bryant Road, Exhall, Coventry	0203 644277	63	30a Scotland Road, Market Harborough, LE16	0858 33229
21	High Ehenside, Egremont, Cumbria, CA22	0946 820509	64	Pinfold Rd, Manning Rd Ind. Est. Bourne, Lincs	0778 422147
22	1 Wharf Road, Higham Ferrers, Northants	0933 317727	65	Unit E19, Telford Rd, Launton Ind. Est. Bicester	0869 248598
23	Unit 18, Fourth Ave, Bluebridge Ind. Est, Halstead, Essex	0787 473982	66	Unit C1, Bergen Cl, Tyne Tunnel Trad. Estate, North Shields, Tyne & Wear	091 2960166
24	Unit 14, Dock Road, Birkenhead, L41 1JJ	051 639 1287	67	53 Sandringham Road, Northampton, NN1 5NA	0604 37061
25	Plas Fynnon W/house, Middleton Rd, Oswestry	0691 652917	68	96 Argyll Street, Dunoon, Argyll, PA23 7NE	0369 2147
26	Easy Launderette, Panton Hall, Denbigh, Clwyd	074 571 3272	69	43 Crosshill Avenue, Cameltown, Argyll	0586 52008
27	19 Sirdar Rd, Off Brook Rd, Rayleigh, Essex	0268 741171	70	Strathblayne, Miller Road, Oban	0631 62690
28	284 Alma Road, Enfield, EN3	01 805 6825	71	2 Kilweivagh, Gregory, Benbecula, Outer Hebrides	0870 2331
29	194 Court Road, Eltham, London, SE9 4EN	01 859 3939	72	Churchouse, 16 James St, Stornaway, Isle of Lewis	0851 5555
30	Unit 8b, Alderflat Dr, Newstead Ind. Est. Stoke-on-Trent, ST4 8HX	0782 643814	73	6 Embankment Ln, Embankment Rd, Plymouth	0752 222540
31	3-7 Blackness Street, Dundee, Scotland, DD1	0382 642828	74	80 Killigrew Street, Falmouth, Cornwall, TR11	0326 314600
	or Tel:	0382 455862	75	109-111 Hunnyhill, Newport, Isle of Wight	0983 523062
	or Tel:	0382 826809	76	Roch, Haverfordwest, Dyfed	0437 710366
32	33a Burnside, Auchtermuchty, Fife, Scotland	0337 28807	77	4 Market Street, Aberaeron, W. Wales, SA46	0545 570254
33	Unit 63, Stortforth Ln Trad. Est. Chesterfield	0246 231790	78	278 Torquay Road, Preston, Paignton	0803 529969
34	127 Queensberry Street, Dumfries, Scotland	0387 56440	79	3-4 Carlton Place, Lerwick, Shetland, ZE1	0595 2915
35	2-8 Wood Market, Kelson, Borders, TD5 7AX	0573 24411	80	Harlsdale, Symbister, Whalasaay, Shetland	08066 546
36	27 Antrim Ave, Stranraer, Dumfries & Galloway	0776 3277			
37	8 Cumbie Way, Aycliffe Ind. Est. Newton Aycliffe	0325 300606			
38	Unit 1, Boulevard Unit Fact. Est. Hull, HU3 4AY	0482 223335			
39	Unit 2, Cromwell Road, Grimsby, DN31 2BN	0472 358760			
40	Unit 14 Stonefield Park, Clifton Street, Lincoln	0522 532330			

PEACE OF MIND FOR TWELVE MONTHS

ZANUSSI STANDARD

GUARANTEE

CONDITIONS

This guarantee is in addition to your statutory and other legal rights which will not be excluded or in any way diminished by the return of this guarantee card.

We, Zanussi Ltd, undertake that if within twelve months of the date of the purchase this ZANUSSI appliance or any part thereof is proved to be defective by reason only of faulty workmanship or materials, we will, at our option repair or replace the same **FREE OF ANY CHARGE** for labour, materials or carriage on condition that:

- The appliance has been correctly installed and used only on the electricity supply stated on the rating plate.
- The appliance has been used for normal domestic purposes only, and in accordance with the manufacturer's operating and maintenance instructions.
- The appliance has not been serviced, maintained, repaired, taken apart or tampered with by any person not authorized by us.
- The appliance is still in the possession of the original purchaser.

All service work under this guarantee must be undertaken by a Zanussi Service Force Centre.

Any appliance or defective part replaced shall become our property.

EXCLUSIONS

This guarantee does not cover:

- Damage or calls resulting from transportation, improper use or neglect, the replacement of any light bulbs or removable parts of glass or plastic.
- Costs incurred for calls to put right machines improperly installed or calls to machines outside the UK and the Republic of Ireland.
- Appliances found to be in use within a commercial environment, plus those which are the subject of rental agreements.

... OR FIVE YEARS

ZANUSSI 5 YEAR

COVER CONDITIONS

For a once-only payment you can extend your Standard Guarantee to 5 years.

All the conditions and exclusions of the Standard Guarantee apply.

NOTES

1. Products supplied as "seconds", refurbished, damaged, or shop-soiled are not eligible for Zanussi 5 Year Cover.
2. The issue of a cover does NOT by virtue of our having done so, nullify the exclusions.
3. The Engineer will need to check the details of your Cover card and may make a charge for his services if it is not presented to him at the time of his call.
4. The date of purchase, or the date of initial payment (deposit) of the appliance will be deemed the date of commencement of cover.
5. Covers issued are not refundable or transferable.

GUARANTEE RECORD

Appliance purchased from..... on.....

Guarantee card no..... Model no.....

Serial no..... (These details may be taken from your
Your name..... Guarantee Record Card)

Address.....

.....



ZANUSSI

The Appliance of Science